



B70HPDV08

PARTS

13822 Oaks Avenue
Chino, CA 91710
reedpumps.com
(909) 287 - 2100

| | |
|--|----|
| PARTS..... | 3 |
| PUMPING TRAIN ASSEMBLY | 3 |
| S TUBE ASSEMBLY | 5 |
| 5" OUTLET ASSEMBLY ASSEMBLY | 5 |
| 5" OUTLET SEAL KIT INSTALLATION | 6 |
| WEAR PLATE ASSEMBLY | 7 |
| 7" PISTON CUP ASSEMBLY | 8 |
| DRIVE CYLINDER ASSEMBLY | 9 |
| DUAL SHIFT BELL CRANK ASSEMBLY | 10 |
| DUAL SHIFT CYLINDER ASSEMBLY | 11 |
| DUAL SHIFT ASSEMBLY..... | 12 |
| HOPPER..... | 13 |
| AGITATOR ASSEMBLY | 13 |
| SAFETY GRATE | 15 |
| GRATE ASSEMBLY | 16 |
| CLEAN OUT DOOR ASSEMBLY | 17 |
| POWER TRAIN | 18 |
| ENGINE, PUMPS, AND FILTERS..... | 18 |
| FITTINGS..... | 20 |
| EXHAUST | 21 |
| TANKS..... | 22 |
| FUEL TANK ASSEMBLY | 22 |
| HYDRAULIC TANK ASSEMBLY | 23 |
| MANIFOLDS..... | 25 |
| DRIVE CYLINDER CIRCUIT MANIFOLD ASSEMBLY | 25 |
| S-TUBE CIRCUIT MANIFOLD ASSEMBLY | 27 |
| ACCUMULATOR ASSEMBLY | 29 |
| ELECTRICAL GROUP..... | 30 |
| BATTERY..... | 30 |
| PROXIMITY SWITCHES | 31 |
| STARTER AND ALTERNATOR..... | 32 |
| TRAILER HARNESS AND BREAKAWAY | 33 |
| TAIL LIGHTS..... | 34 |
| WIRING HARNESS | 35 |
| B-SERIES CONTROL BOX | 36 |
| CONTACT BLOCKS..... | 37 |
| RELAYS AND FUSES | 38 |
| CONNECTORS..... | 39 |
| CONTROLS..... | 40 |
| 50 FT CABLE REMOTE | 40 |
| FRAME INSTALLATION | 41 |
| FRAME, TIRES, JACK, AND TOW EYE | 41 |
| 9000LB AXLE MOUNTING ASSEMBLY | 42 |
| HOOD AND COVERS..... | 43 |
| FENDERS AND OUTRIGGERS | 44 |



B70HPDV08

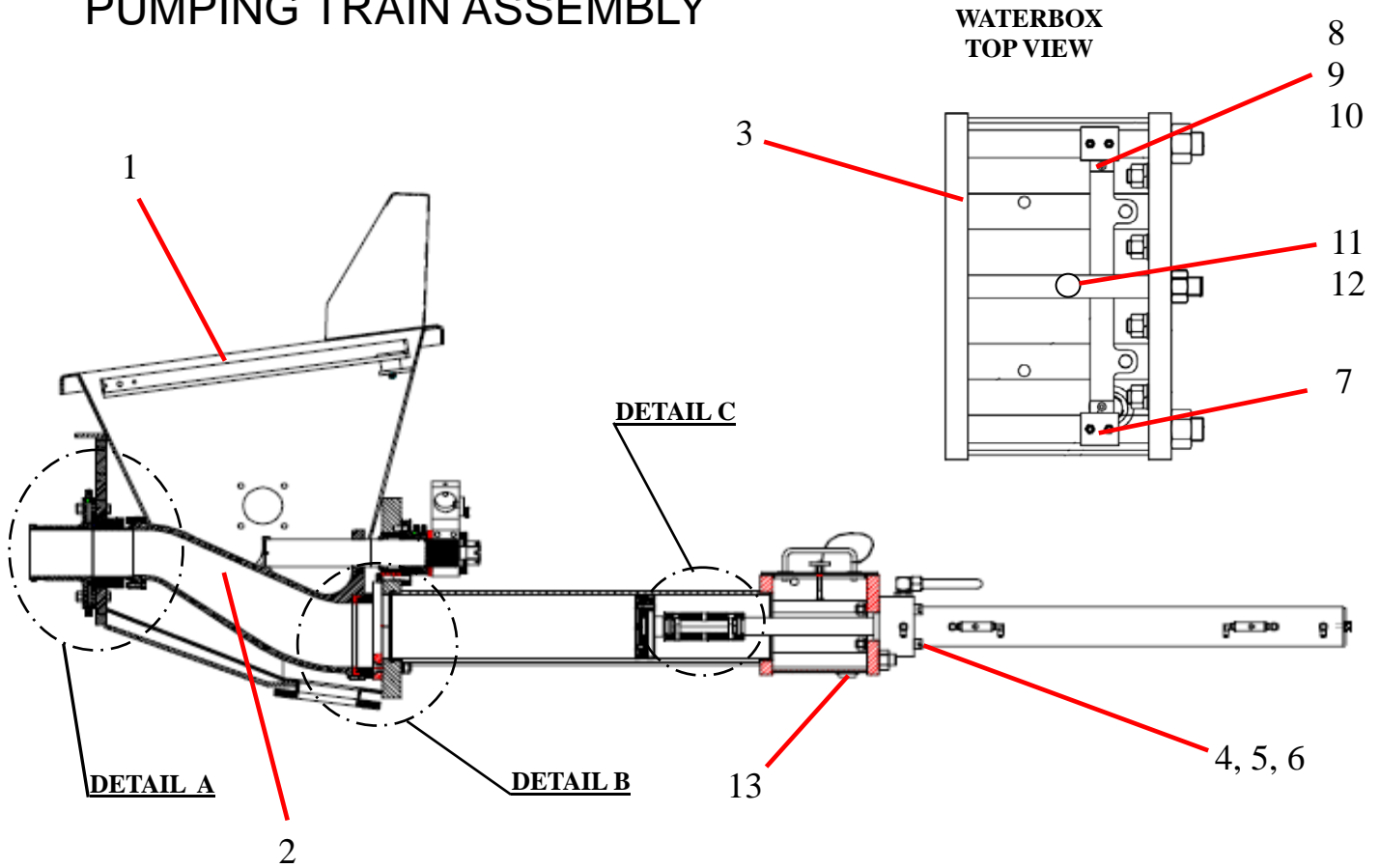
PARTS

13822 Oaks Avenue
Chino, CA 91710
reedpumps.com
(909) 287 - 2100

| | |
|--|----|
| CONTROL BOX MOUNT | 45 |
| OPTIONS | 46 |
| LUBE BLOCK | 46 |
| AUTOLUBE PUMP (PLASTIC TUBING)..... | 47 |
| HYDRAULIC OUTRIGGER GROUP | 49 |
| 3 SPOOL CONTROL VALVE | 50 |
| HYDRAULIC OUTRIGGER GROUP..... | 51 |
| ELECTRIC HYDRAULIC OUTRIGGER | 52 |
| ELECTRIC HYDRAULIC OUTRIGGER CONTROLS | 53 |
| AGITATOR GROUP | 54 |
| 1 SPOOL AGITATOR VALVE | 55 |
| COUGAR VIBRATOR | 57 |
| RADIO REMOTE KIT (KAR-TECH) | 58 |
| RADIO REMOTE KIT (OMNEX) | 59 |
| ALUMINUM WHEEL AND TIRE..... | 60 |
| 50 FT STROKE COUNTER CABLE REMOTE ASSEMBLY | 61 |
| HYDRAULIC SURGE BRAKES..... | 62 |
| HYDRAULIC SURGE BRAKE (2 INCH BALL) | 63 |
| HYDRAULIC SURGE BRAKES (3 INCH EYE)..... | 64 |
| LIFTING EYE KIT | 65 |
| WATER PUMP | 66 |
| CARBIDE WEAR PLATE | 69 |

PARTS

PUMPING TRAIN ASSEMBLY



| ID # | PART # | PART DESCRIPTION | QUANTITY | |
|------|--------|---------------------------------------|----------|----|
| | 88039 | SINGLE SHIFT PUMPING TRAIN ASSEMBLY | 1 | EA |
| 1 | 85840A | HOPPER WELDMENT, 7" STD SAFETY SWITCH | 1 | EA |
| 2 | 86986 | S TUBE WLD, 7X5 | 1 | EA |
| 3 | 85984 | FLUSH BOX WELDMENT, 7 IN | 1 | EA |
| 4 | | SHCS 3/4 - 10X5" GR 8 | 8 | EA |
| 5 | | HEX NUT, 3/4 - 10 | 12 | EA |
| 6 | | LOCK WASHER 3/4" | 13 | EA |
| 7 | 86006 | BRACKET, PROX SWITCH | 1 | EA |
| 8 | 86752 | HHCS, 1/4 - 20X3/4" GR 8 | 6 | EA |
| 9 | | LOCK WASHER, 1/4" | 2 | EA |
| 10 | | FLAT WASHER, 1/4" | 2 | EA |
| 11 | 86665 | STUD, 3/8-16X3" LONG | 1 | EA |
| 12 | 80072 | LOCKWASHER-3/8" | 1 | EA |
| 13 | 10282 | PLUGS-PIPE GALV 1" | 1 | EA |

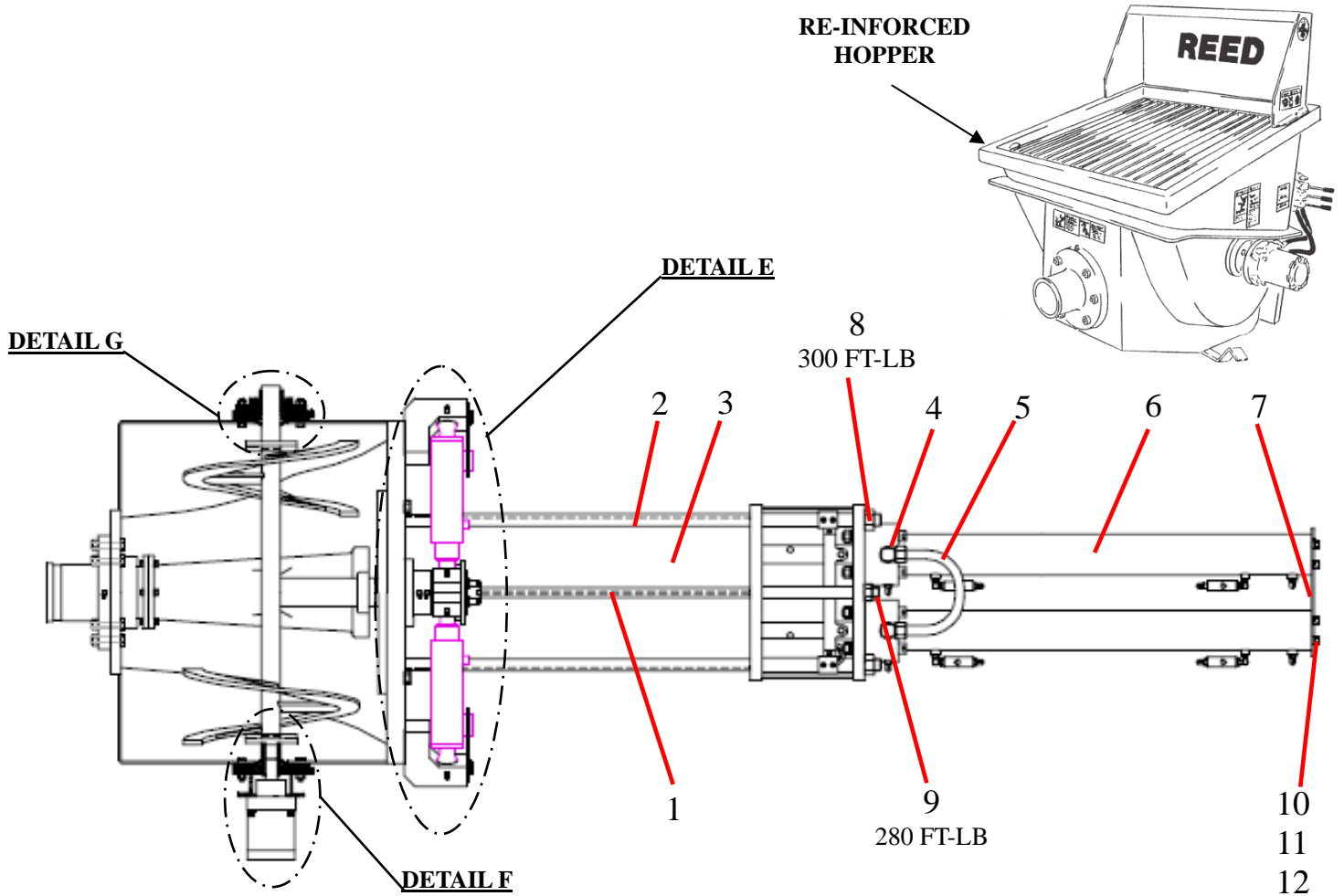


B70HPDV08

PARTS

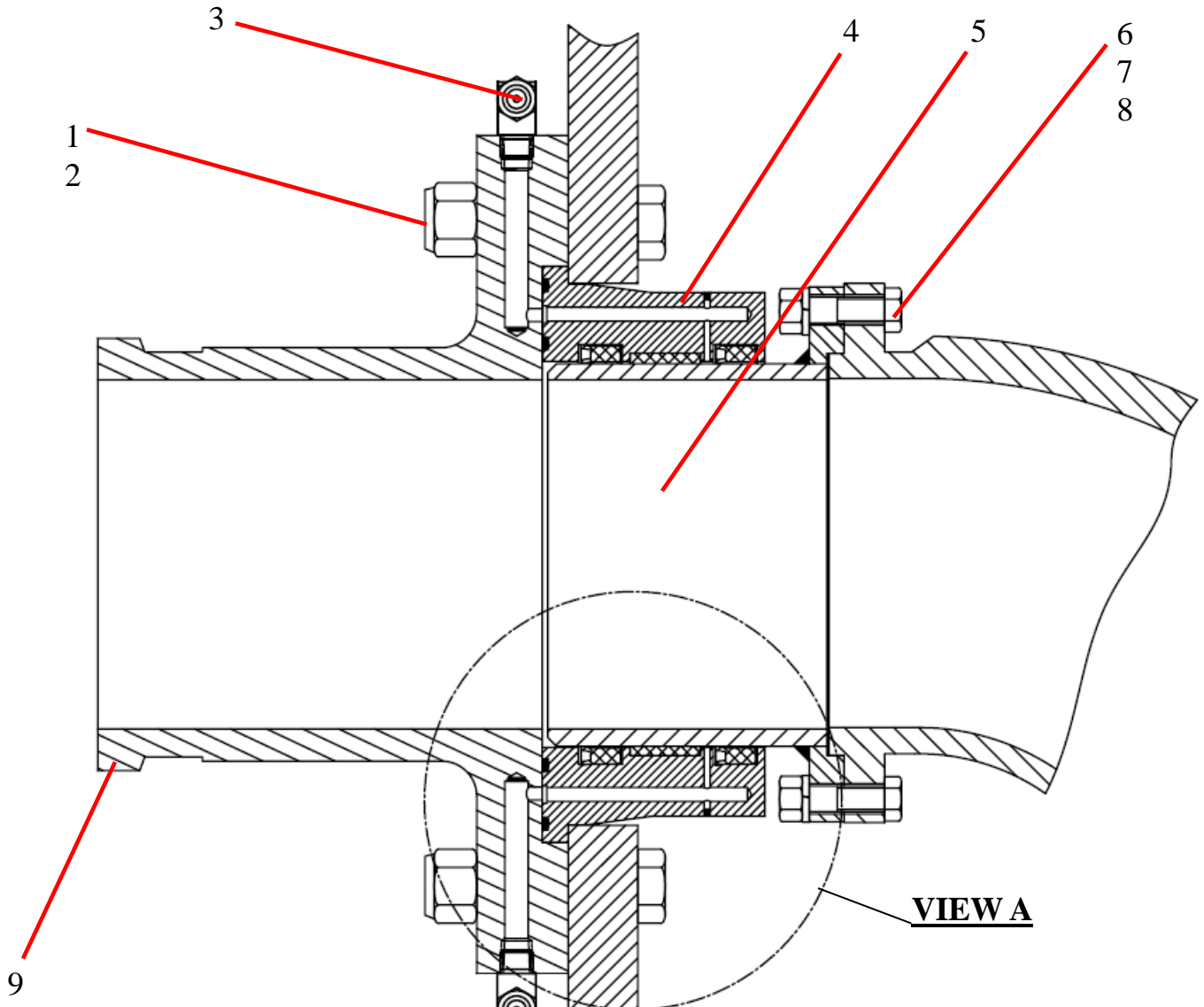
13822 Oaks Avenue
 Chino, CA 91710
 reedpumps.com
 (909) 287 - 2100

PUMPING TRAIN ASSEMBLY CONTINUED



| ID # | PART # | PART DESCRIPTION | QUANTITY | |
|------|--------|-------------------------------------|----------|----|
| 1 | 86047 | TIE ROD, 1" X 51½" | 2 | EA |
| 2 | 86046 | TIE ROD, 1¼" X 51½" | 4 | EA |
| 3 | 86045 | CONCRETE CYLINDER, 7 X 36 | 2 | EA |
| 4 | | ELBOW, MB – MJ-16-16 | 2 | EA |
| 5 | 85427 | TUBE, HYD, LOOP LINE | 1 | EA |
| 6 | 86223A | DRIVE CYLINDER -3.50 X 2.00 X 35.75 | 2 | EA |
| 7 | 86544 | END PLATE - DRIVE CYLINDER- PAINTED | 1 | EA |
| 8 | | HEX, NUT 1 ¼" -12 | 4 | EA |
| 9 | | HEX NUT, 1" -12 | 2 | EA |
| 10 | | HHCS, 1/2 -13X1 ¼" GR 8 | 4 | EA |
| 11 | | WASHER, 1/2 | 4 | EA |
| 12 | | LOCK WASHER, ½" | 6 | EA |

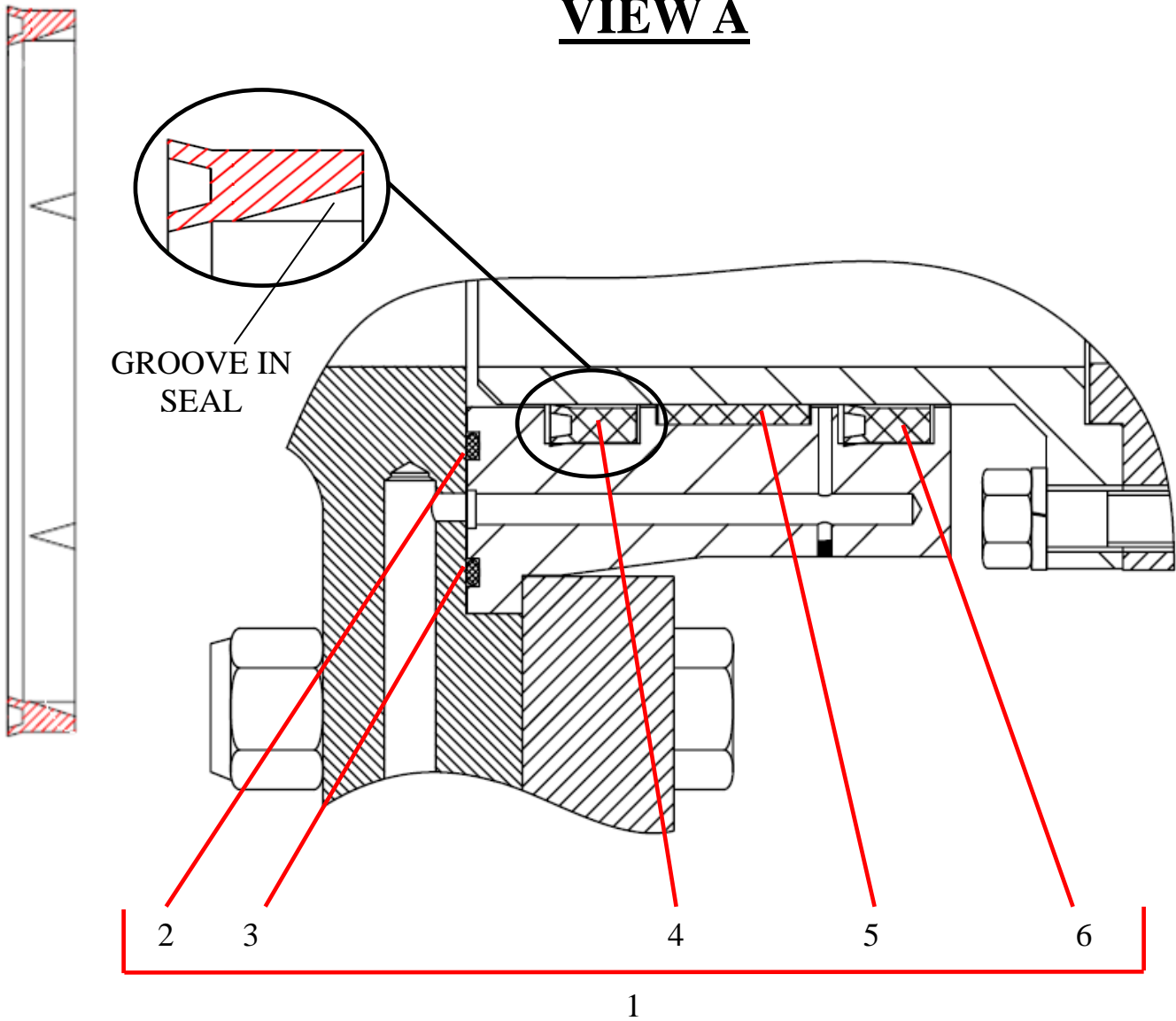
S TUBE ASSEMBLY 5" OUTLET ASSEMBLY ASSEMBLY DETAIL A



| ID # | PART # | PART DESCRIPTION | QUANTITY | |
|------|--------|------------------------------|----------|----|
| | 86321 | OUTLET ASSEMBLY | 1 | EA |
| 1 | | HHCS, 5/8 – 18X3" ¼ " GR 8 | 6 | EA |
| 2 | | LOCK NUT, 5/8 -18 | 6 | EA |
| 3 | | GREASE FITTING, 1/8" NPT 90° | 2 | EA |
| 4 | 72309 | OUTLET SEAL HOUSING | 1 | EA |
| 5 | 70042 | CHROMED OUTLET | 1 | EA |
| 6 | | HHCS, 3/8 – 16X1 ½" GR 8 | 6 | EA |
| 7 | | HEX NUT, 3/8" - 16 | 6 | EA |
| 8 | | LOCK WASHER, 3/8" | 6 | EA |
| 9 | 72482 | OUTLET, 5" (1-PIECE) | 1 | EA |

5" OUTLET SEAL KIT INSTALLATION

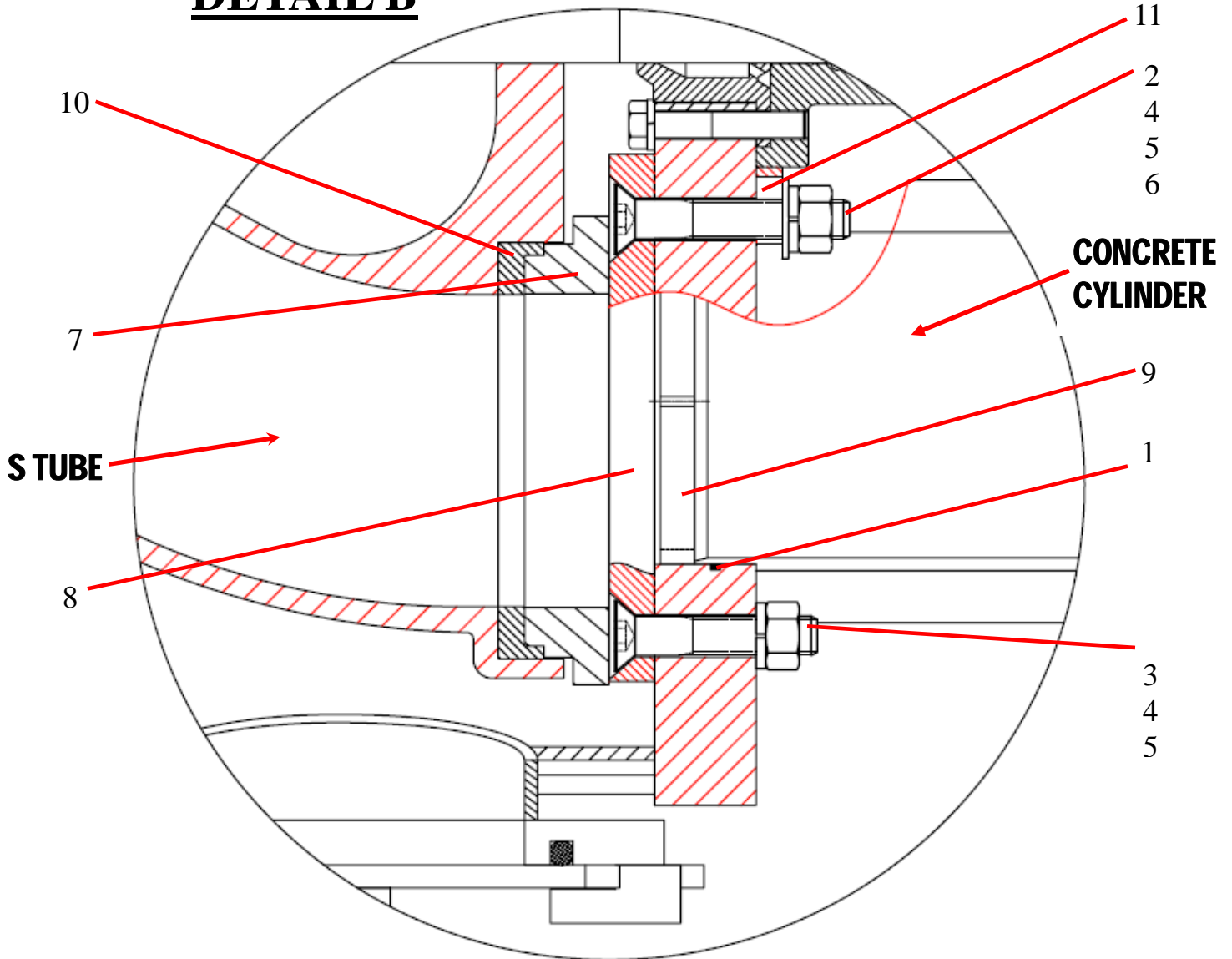
VIEW A



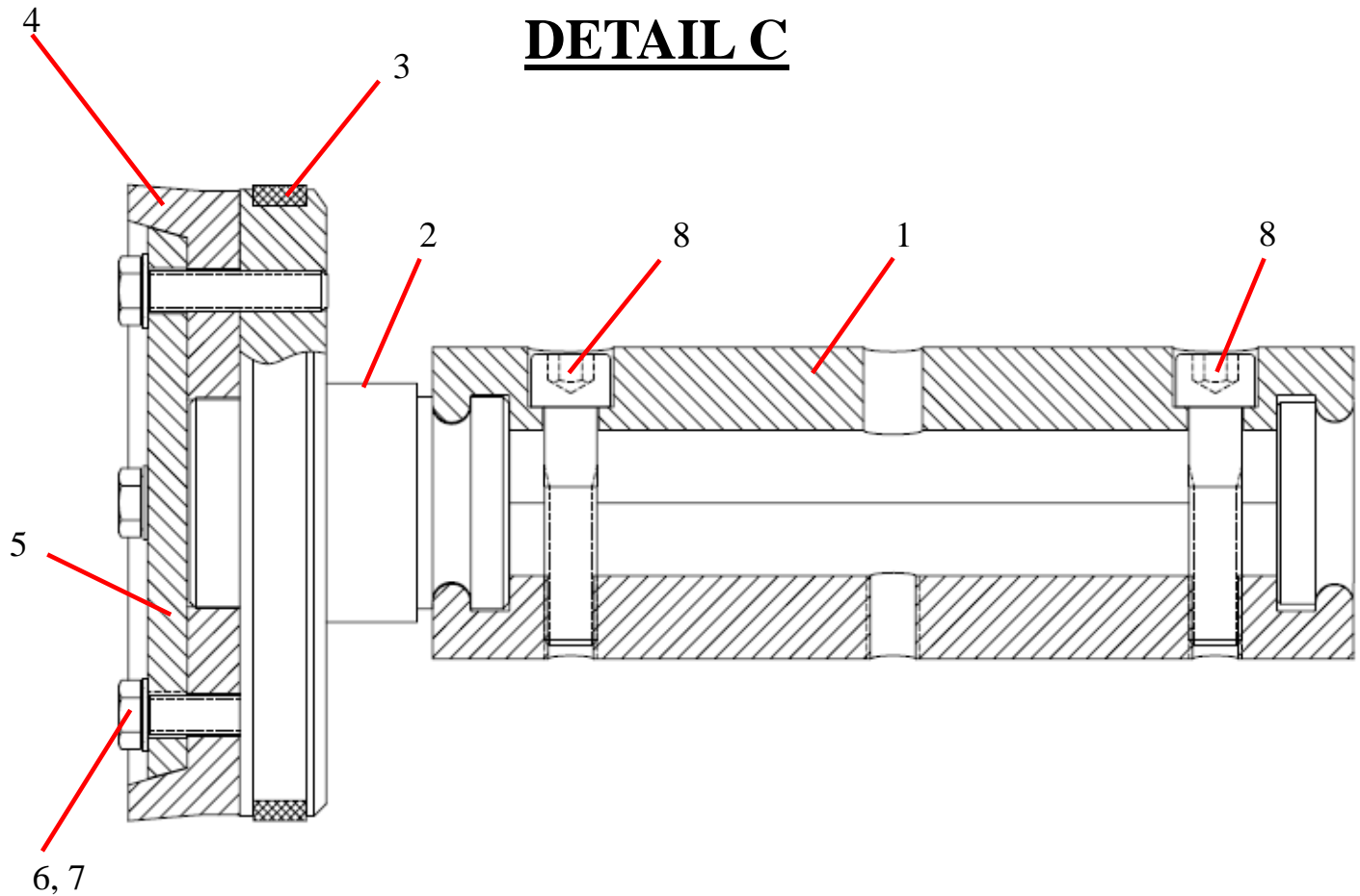
| ID # | PART # | PART DESCRIPTION | QUANTITY | |
|------|--------|------------------------------------|----------|----|
| 1 | 79895 | SEAL KIT | 1 | EA |
| 2 | 77762 | O-RING-#257 BUNA 90 | 1 | EA |
| 3 | 77761 | O-RING-#264 BUNA 90 | 1 | EA |
| 4 | 86504 | SEAL-MODIFIED- 5 IN OUTLET | 1 | EA |
| 5 | 77763 | GUIDE BAND - 5.75 OD X 1.00W | 1 | EA |
| 6 | 77765 | LIP SEAL-5.50 ID X 6.00 OD X .56 D | 1 | EA |

WEAR PLATE ASSEMBLY

DETAIL B

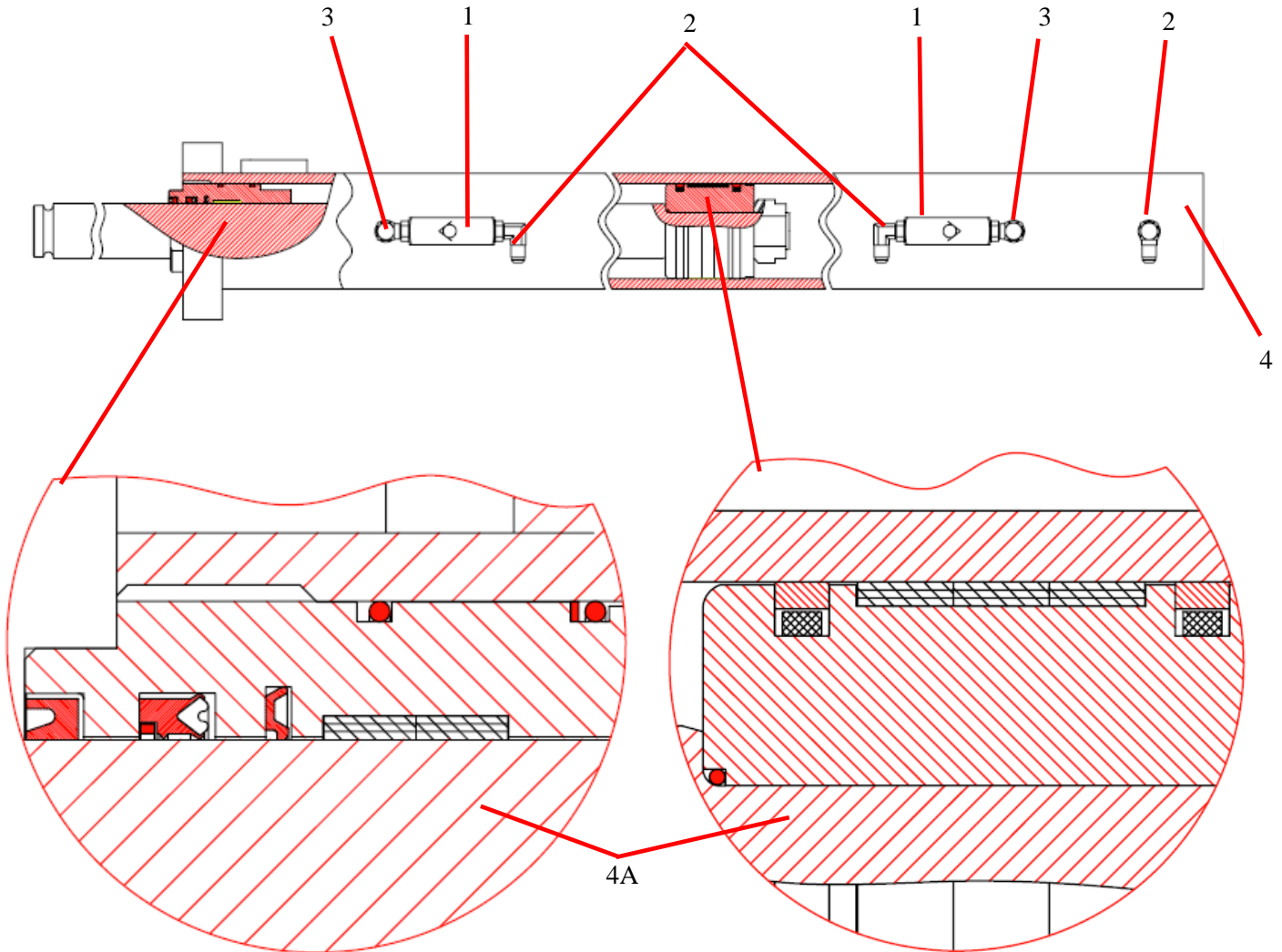


| ID # | PART # | PART DESCRIPTION | QUANTITY | |
|------|--------|-------------------------------|----------|----|
| 1 | 86037 | O-RING, #264 BUENA 70 | 2 | EA |
| 2 | | FHCS, 3/4" - 10X 4 1/2" GR 8 | 1 | EA |
| 3 | | FHCS, 3/4" - 10X 3 1/2" GR 8 | 3 | EA |
| 4 | | HEX NUT, 3/4" - 10 | 4 | EA |
| 5 | | LOCK WASHER, 3/4" | 4 | EA |
| 6 | | FLATWASHER, 3/4" | 4 | EA |
| 7 | 85975 | WEAR RING, SINGLE LIP 7" | 1 | EA |
| 8 | 85970 | WEAR PLATE, 7" | 1 | EA |
| 9 | 85977 | CHIP RING, 7" | 2 | EA |
| 10 | 85974 | SEAL, SINGLE LIP, 7" | 1 | EA |
| 11 | 86502 | LOCATOR RING - FLANGE BEARING | 1 | EA |

7" PISTON CUP ASSEMBLY

| ID # | PART # | PART DESCRIPTION | QUANTITY | |
|------|--------|----------------------------|----------|----|
| 1 | 86101 | PISTON COUPLING, 8.06 LONG | 1 | EA |
| 2 | 77055 | PISTON-CONC. ADAPTER 7" | 1 | EA |
| 3 | 77056 | WEAR RING(GUIDE BAND) 7" | 1 | EA |
| 4 | 70504 | PISTON CUP, 7 IN | 1 | EA |
| 5 | 70505 | PISTON PLATE 7 INCH | 1 | EA |
| 6 | | HHCS, 3/8 - 16X1" GR 8 | 4 | EA |
| 7 | | LOCK WASHER 3/8 | 4 | EA |
| 8 | | SHCS 1/2 - 13 X 2 1/4" | 2 | EA |

DRIVE CYLINDER ASSEMBLY



86222A-SK SEAL KIT
 ASSEMBLY

| ID # | PART # | PART DESCRIPTION | QUANTITY | |
|------|-----------|-------------------------------|----------|----|
| 1 | 78961 | CHECK VALVE-5K PSI O-RING | 2 | EA |
| 2 | 86748 | FITTING-MB-MJ90-6-6 | 3 | EA |
| 3 | | ELBOW, MB-MB90-6-6 | 2 | EA |
| 4 | 86223A | HYDRALIC CYLINDER 3.50 X 36X2 | 1 | EA |
| 4A | 86222A-SK | SEAL KIT | 1 | EA |



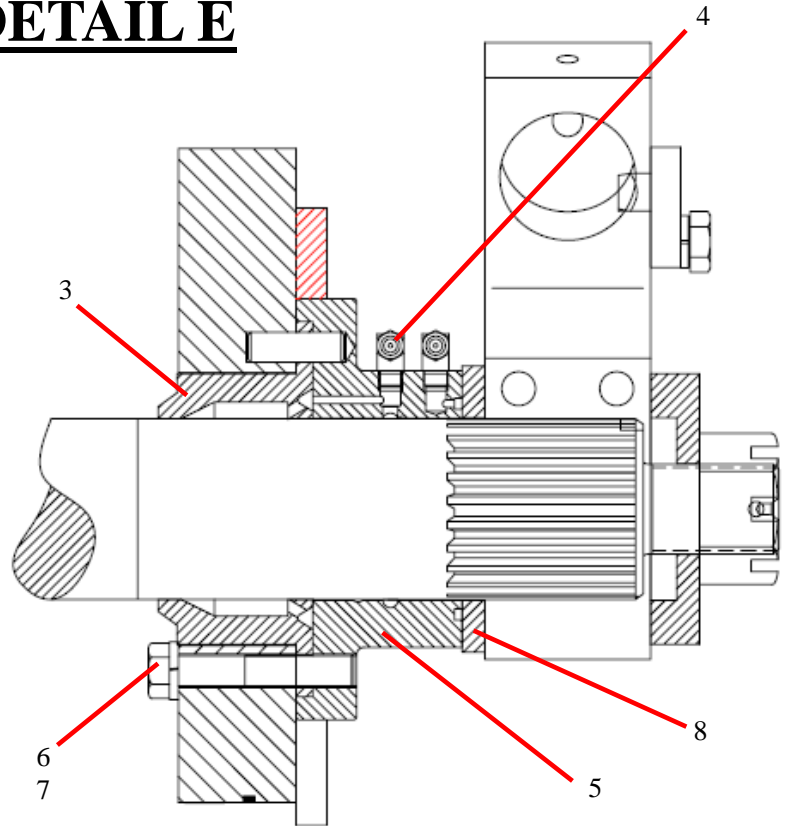
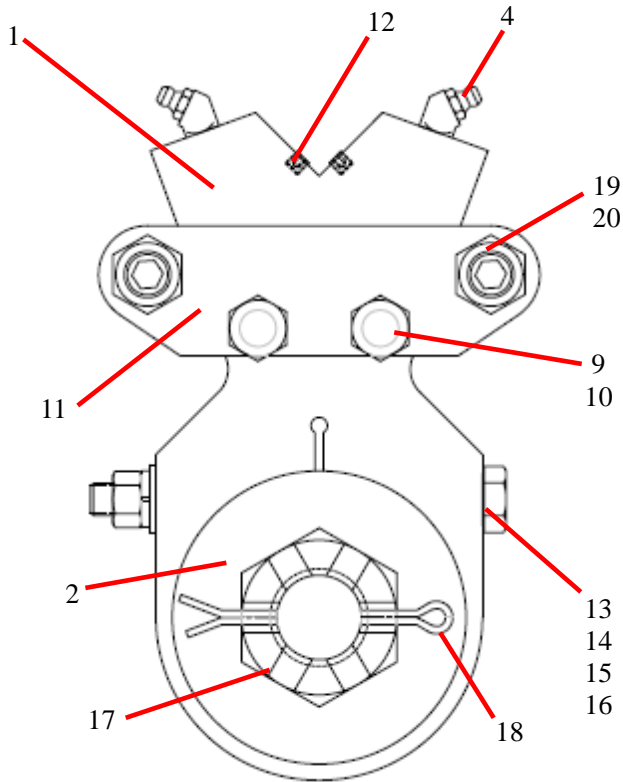
B70HPDV08

PARTS

13822 Oaks Avenue
Chino, CA 91710
reedpumps.com
(909) 287 - 2100

DUAL SHIFT BELL CRANK ASSEMBLY

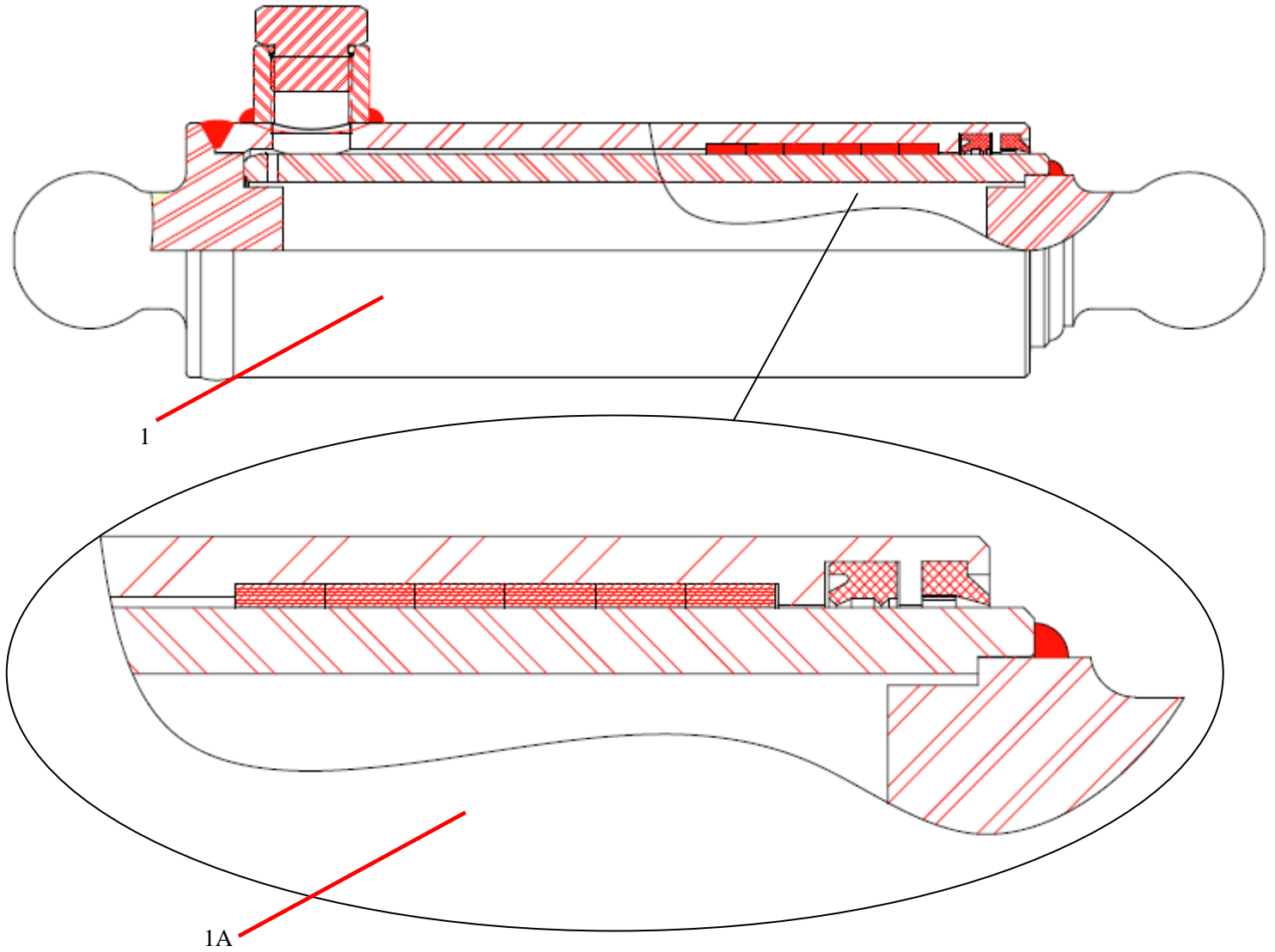
DETAIL E



| ID # | PART # | PART DESCRIPTION | QUANTITY | |
|------|--------|----------------------------------|----------|----|
| | 86320 | S-TUBE SHIFT GROUP, DUAL | | |
| 1 | 85956 | BELL CRANK, 3" SPLINE, DUAL | 1 | EA |
| 2 | 86985 | SPACER, S-TUBE NUT | 1 | EA |
| 3 | 85962 | SEAL, FLANGE BEARING | 1 | EA |
| 4 | | GREASE FITTING, 1/8" NPT | 4 | EA |
| 5 | 85133 | FLANGED BEARING | 1 | EA |
| 6 | | HHCS, 9/16 - 12X3" GR 8 | 4 | EA |
| 7 | | LOCK WASHER, 9/16" | 4 | EA |
| 8 | 85294 | THRUST WASHER, S -TUBE | 1 | EA |
| 9 | | HHCS, 1/2-13X1 1/4" GR 8 | 2 | EA |
| 10 | | LOCKWASHER, 1/2" | 2 | EA |
| 11 | 86282 | RETAINER - SHIFT CYLINDER | 1 | EA |
| 12 | | PIPE PLUG 1/4" NPT | 2 | EA |
| 13 | | HHCS, 1/2-13X6 1/4" GR 8 | 2 | EA |
| 14 | | FLAT WASHER 1/2" | 4 | EA |
| 15 | | LOCK WASHER 1/2" | 2 | EA |
| 16 | | HEX NUT, 1/2"-13 | 2 | EA |
| 17 | 87012 | NUT 2" -12 CASTLE GRADE 5 | 2 | EA |
| 18 | | COTTER PIN, 1/4X4" | 1 | EA |
| 19 | 86283 | SET SCREW-5/8-11X2.00" CUP POINT | 1 | EA |
| 20 | 80005 | NUT HEX-5/8-11 UNC USS RH THREAD | 1 | EA |

DUAL SHIFT CYLINDER ASSEMBLY

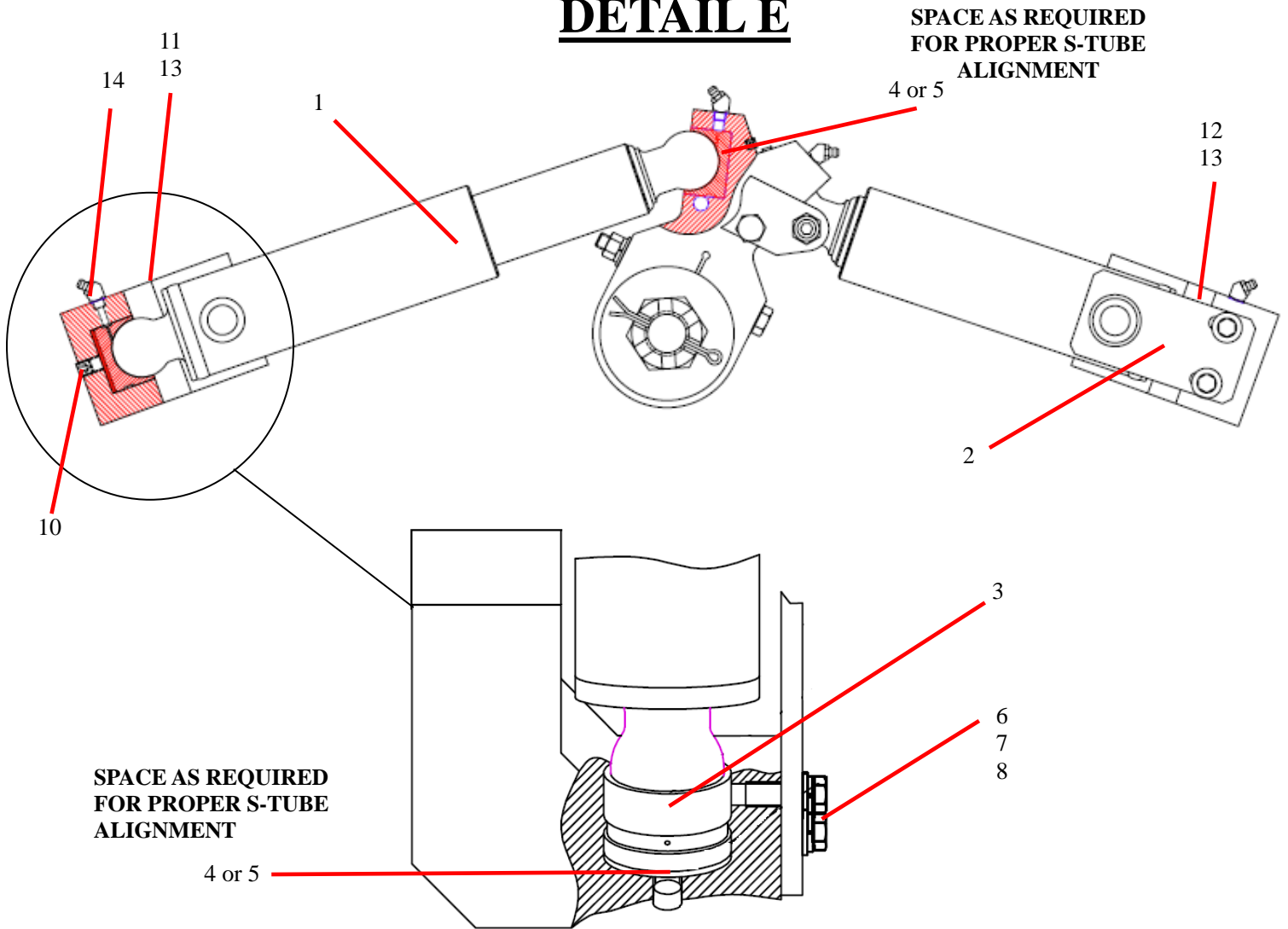
DETAIL E



| ID # | PART # | PART DESCRIPTION | QUANTITY | |
|------|-----------|-----------------------------|----------|----|
| 1 | 86220A | SWING RAM 2.5 X 5.75 STROKE | 1 | EA |
| 1A | 86220A-SK | SEAL KIT | 1 | EA |

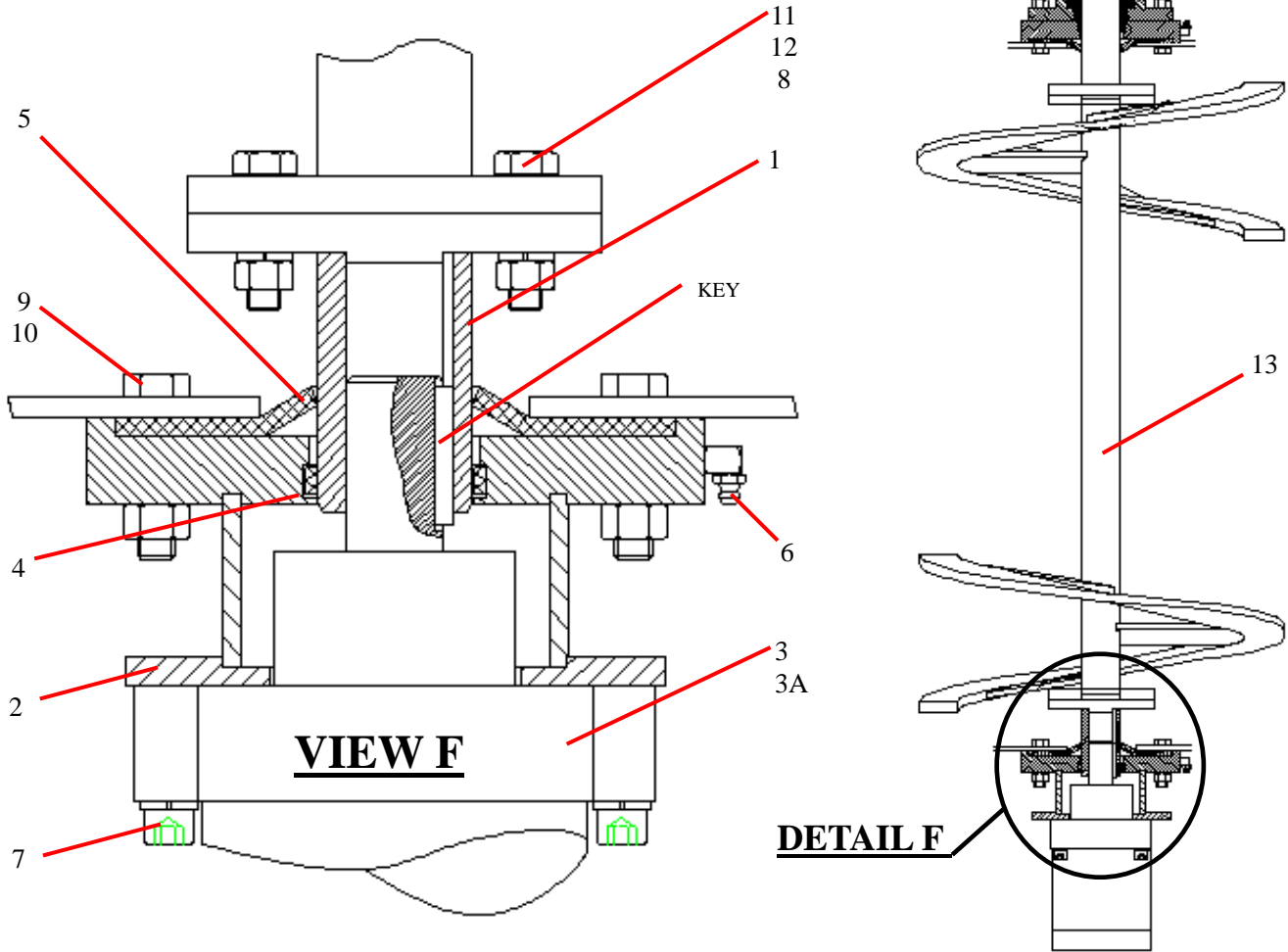
DUAL SHIFT ASSEMBLY

DETAIL E



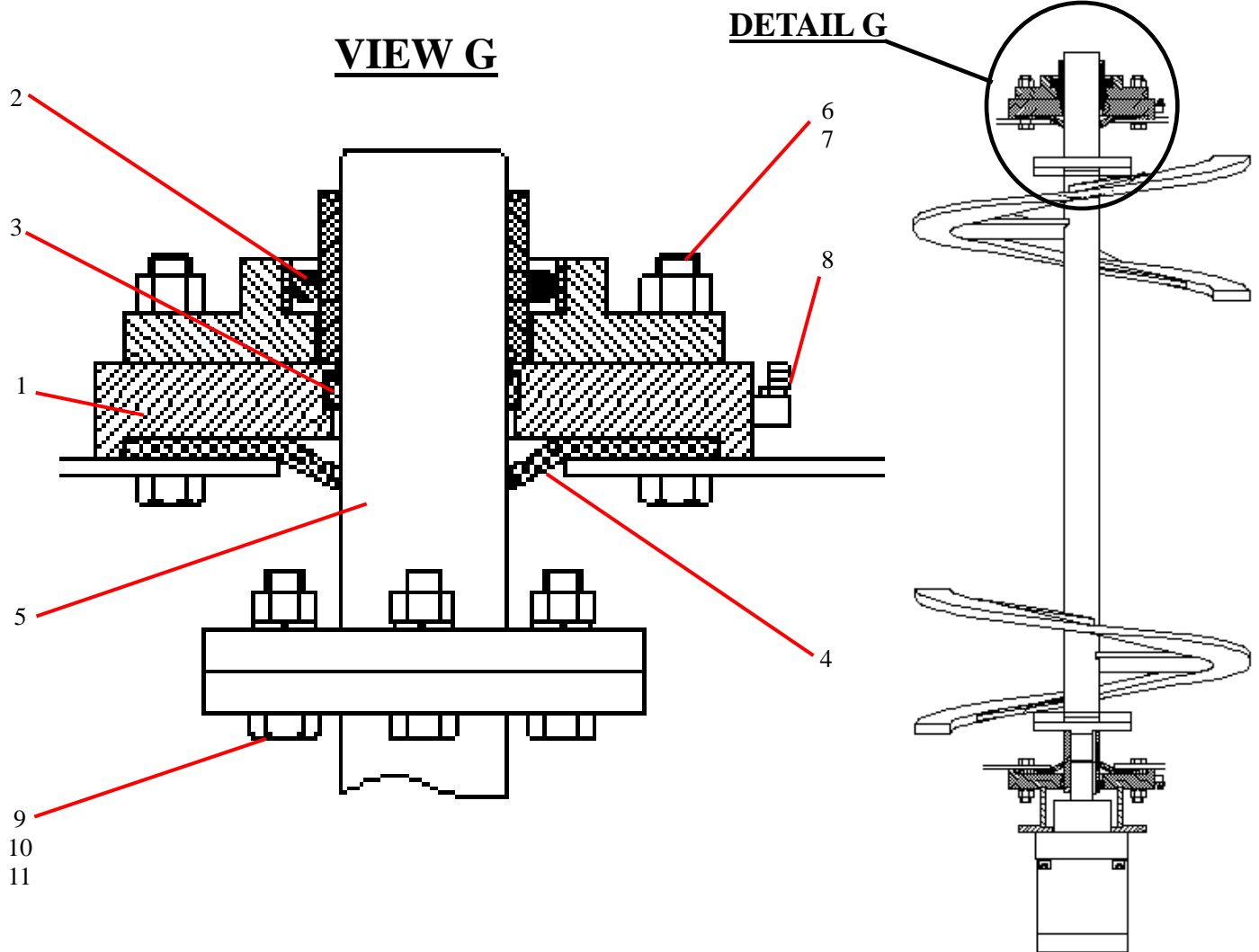
| ID # | PART # | PART DESCRIPTION | QUANTITY | |
|------|--------|-----------------------------|----------|----|
| 1 | 86220A | SWING RAM – 2.5X5.75 STROKE | 2 | EA |
| 2 | 86441 | RETAINER, SWING RAM | 2 | EA |
| 3 | 76798 | BALL SOCKET, 1018 STEEL | 4 | EA |
| 4 | 75501 | SPACER 1/8" | A/R | EA |
| 5 | 75502 | SPACER 1/16" | A/R | EA |
| 6 | | HHCS, 3/8-24X1 1/4" GR8 | 4 | EA |
| 7 | | WASHER, 3/8" | 4 | EA |
| 8 | | LOCK WASHER, 3/8" | 4 | EA |
| 10 | 86283 | SETSCREW – 5/8 -11X2.00 CUP | 2 | EA |
| 11 | 85941 | HOUSING,RH SWING RAM | 1 | EA |
| 12 | 85942 | HOUSING, LH SWING RAM | 1 | EA |
| 13 | 86052 | DOWEL PIN, 1/2" DIA X 2" | 4 | EA |
| 14 | | GREASE FITTING, 1/8" NPT | 2 | EA |

HOPPER AGITATOR ASSEMBLY



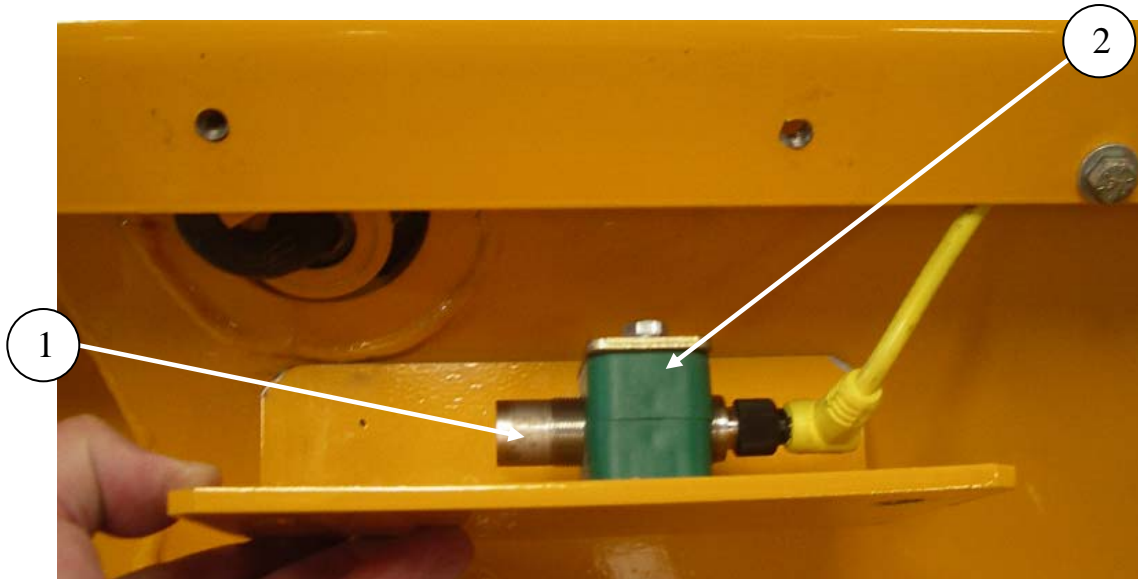
| ID # | PART # | PART DESCRIPTION | QUANTITY | |
|------|---------|------------------------------------|----------|----|
| | 86323 | AGITATOR ASSEMBLY | 1 | EA |
| 1 | 86062 | DRIVE SHAFT, AGITATOR | 1 | EA |
| 2 | 86070 | FLANGE WELDMENT, AGITATOR MOTOR | 1 | EA |
| 3 | 85809 | HYD MOTOR, 45.6 CID, 1.25" SHAFT | 1 | EA |
| 3A | 85809SK | SEAL KIT | 1 | EA |
| 4 | 86074 | POLYSEAL, 2.00 ID X 2.50 OD X .375 | 1 | EA |
| 5 | 77512 | SEAL-AUGER (BEARING SIDE) | 2 | EA |
| 6 | | GREASE FITTING, 1/8" NPT 90° | 1 | EA |
| 7 | | SHCS, 1/2"-13 X 2 1/4" GR8 | 4 | EA |
| 8 | | LOCKWASHER 1/2" | 7 | EA |
| 9 | | HHCS, 1/2" - 13 X 2 1/4" GR8 | 4 | EA |
| 10 | | LOCKNUT, 1/2" -13 | 4 | EA |
| 11 | | HHCS, 1/2" - 13 X 1 3/4" GR8 | 3 | EA |
| 12 | | HEX NUT, 1/2" X 13 | 3 | EA |
| 13 | 86087 | AGITATOR, WELMENT | 1 | EA |

AGITATOR ASSEMBLY CONTINUED



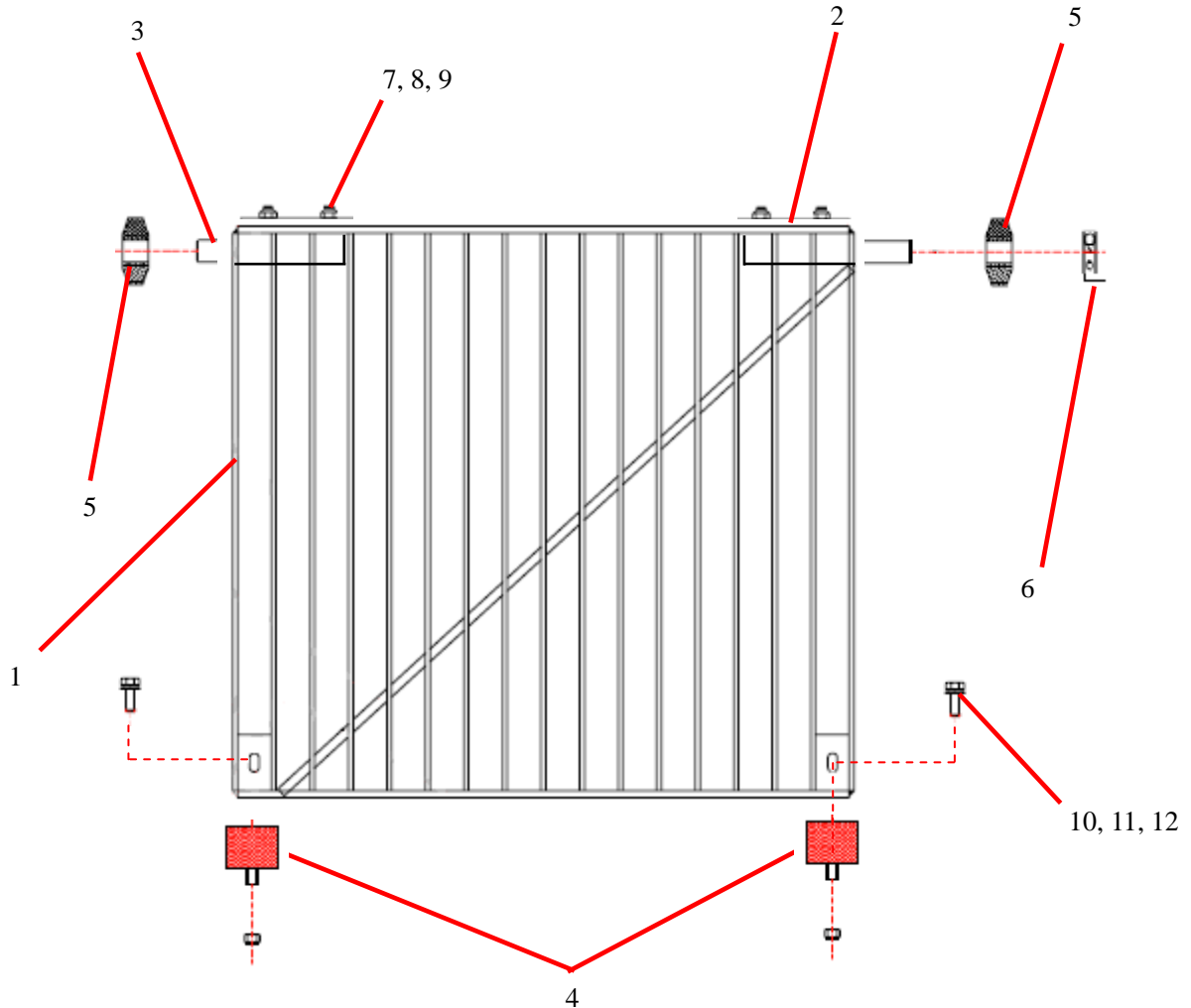
| ID # | PART # | PART DESCRIPTION | QUANTITY | |
|------|--------|------------------------------|----------|----|
| 1 | 86069 | FLANGE, AGITATOR BEARING | 1 | EA |
| 2 | 86067 | FLANGE BEARING | 1 | EA |
| 3 | 86074 | POLYSEAL, 2.00 ID X 2.50 OD | 1 | EA |
| 4 | 77512 | SEAL-AUGER, AGITATOR | 1 | EA |
| 5 | 86066 | IDLER SHAFT, AGITATOR | 1 | EA |
| 6 | | HHCS, 1/2"-13X3" GR8 | 4 | EA |
| 7 | | LOCKNUT, 1/2"-13 | 4 | EA |
| 8 | | GREASE FITTING, 1/8" NPT 90° | 1 | EA |
| 9 | | HHCS, 1/2"-13X13/4" GR 8 | 3 | EA |
| 10 | | HEX NUT, 1/2"-13 | 3 | EA |
| 11 | | LOCK NUT 1/2"-13 | 3 | EA |

SAFETY GRATE

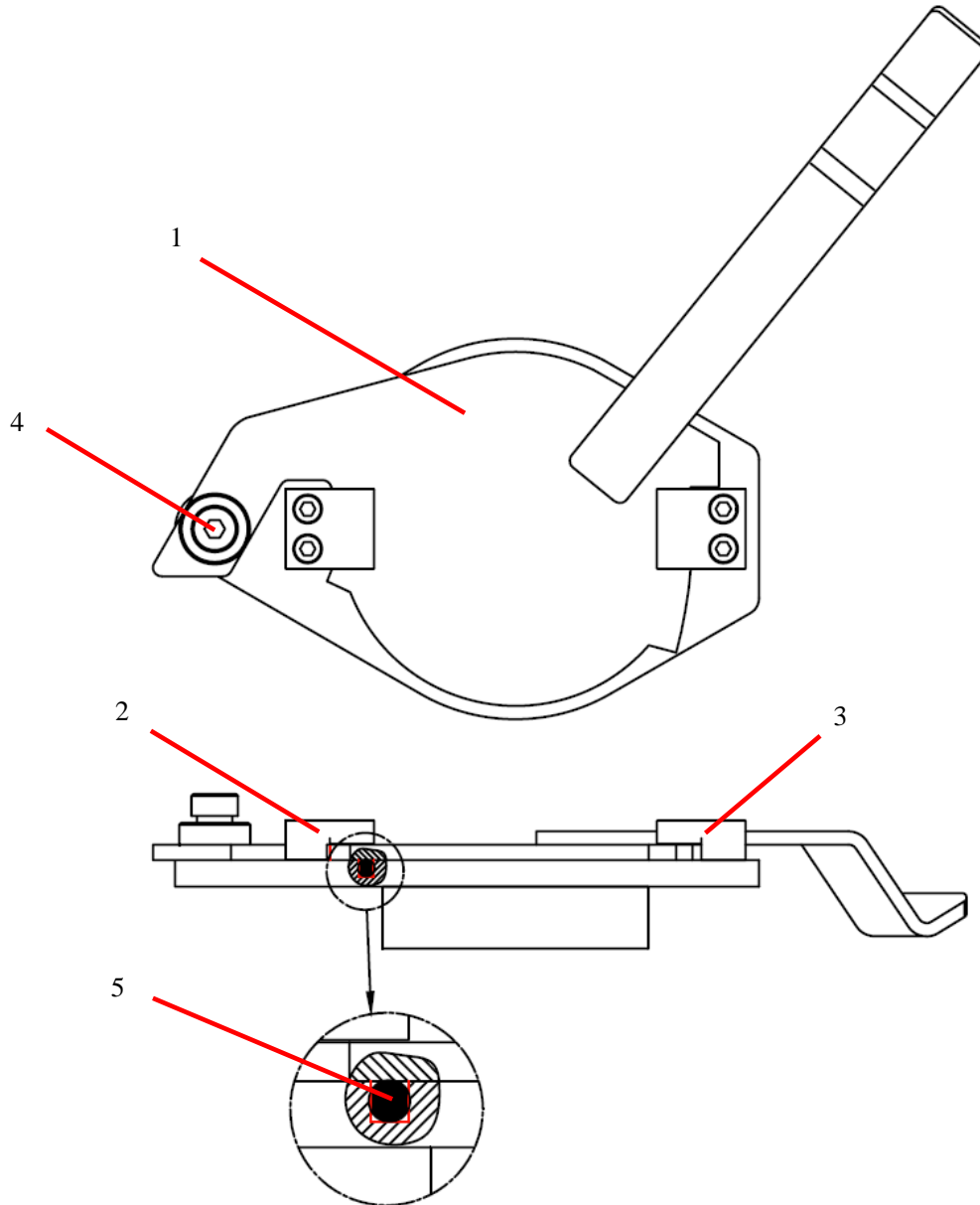


| ID # | PART # | PART DESCRIPTION | QUANTITY | |
|------|------------|---|----------|----|
| 1 | 87369 | PROXIMITY SENSOR PNP HOPPER GRATE | 1 | EA |
| 2 | 801902-006 | CLAMP,18MM TUBE CLAMP SET | 1 | EA |
| 3 | 88211 | COVER WELD PROX SWITCH HARSH MIX HOPPER | 1 | EA |

GRATE ASSEMBLY

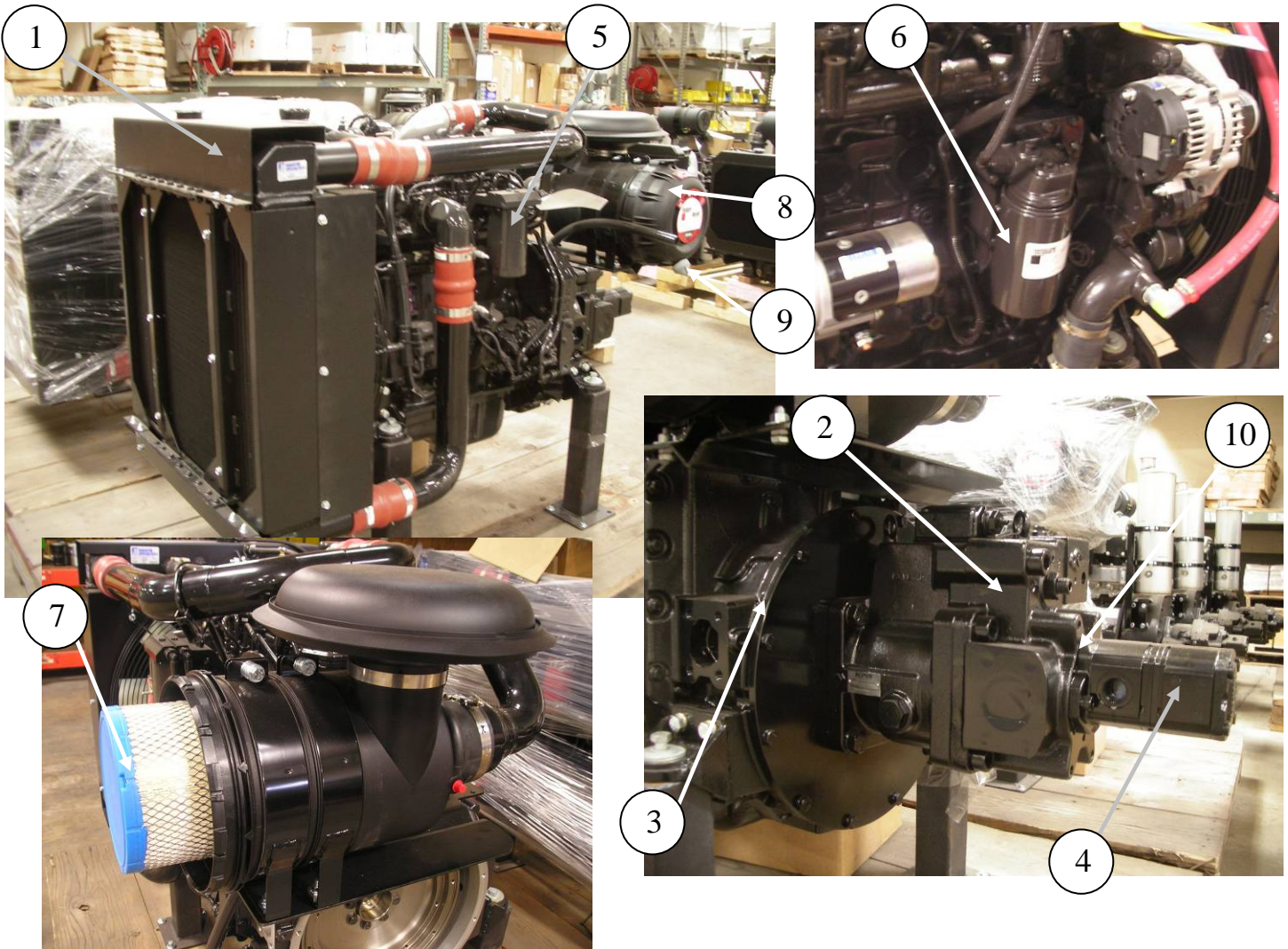


| ID # | PART # | PART DESCRIPTION | QUANTITY | |
|------|---------|---------------------------|----------|----|
| 1 | 87958 | GRATE WELDMENT, | 1 | EA |
| 2 | 87956 | PIN WELDMENT LONG, | 1 | EA |
| 3 | 87957 | PIN WELDMENT SHORT, | 1 | EA |
| 4 | 86083 | BUMPER, HOPPER GRATE | 2 | EA |
| 5 | W102490 | RUBBER BUFFER 65X22.5X26 | 2 | EA |
| 6 | 87769 | COLLAR SHAFT, 7/8" DIA | 1 | EA |
| 7 | | 3/8"-16 X 1 1/4" HEX BOLT | 4 | EA |
| 8 | | 3/8 FLAT WASHER | 8 | EA |
| 9 | | 3/8-16 LOCK NUT | 4 | EA |
| 10 | | 3/8"-16 X 1" HEX BOLT | 2 | EA |
| 11 | | 3/8" FLAT WASHER | 2 | EA |
| 12 | | 3/8" LOCK WASHER | 2 | EA |

CLEAN OUT DOOR ASSEMBLY

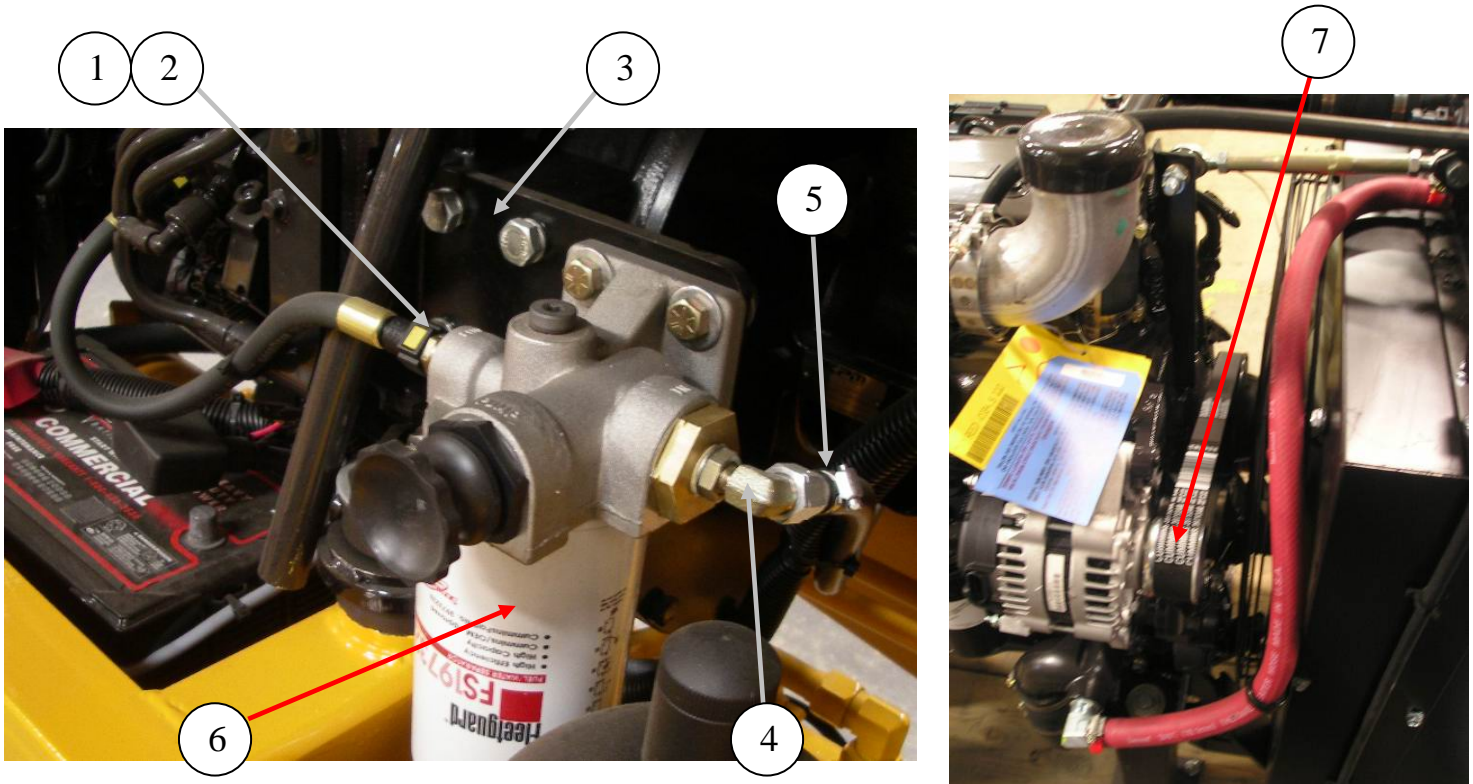
| ID # | PART # | PART DESCRIPTION | QUANTITY | |
|------|----------|------------------------------|----------|----|
| 1 | 86989 | DOOR WELDMENT, CLEAN OUT | 1 | EA |
| 2 | 86559 | BLOCK, CLEAN OUT DOOR, LH | 1 | EA |
| 3 | 86560 | BLOCK, CLEAN OUT DOOR, RH | 1 | EA |
| 4 | 86922 | SHOULDER SCREW 1" DIA-1 1/4" | 1 | EA |
| 5 | W102908A | O-RING CORD, HOPPER DOOR | 2.21 | FT |

POWER TRAIN ENGINE, PUMPS, AND FILTERS



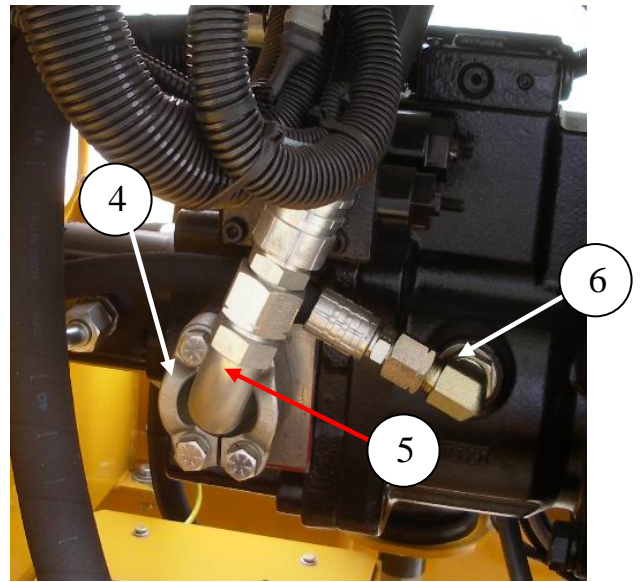
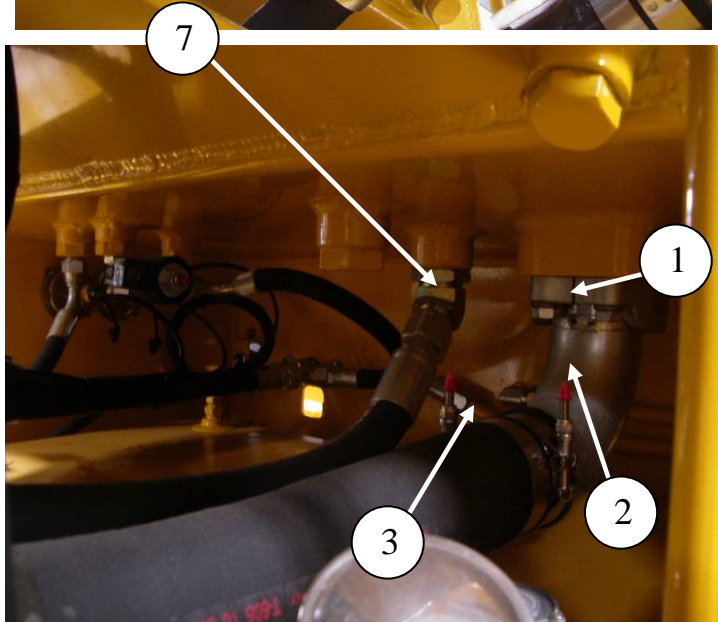
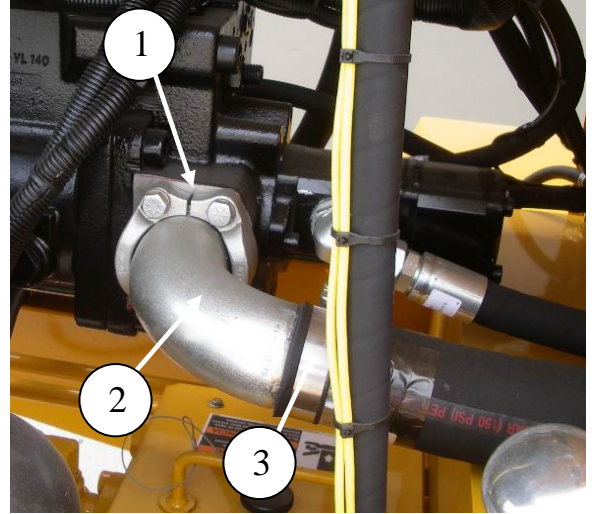
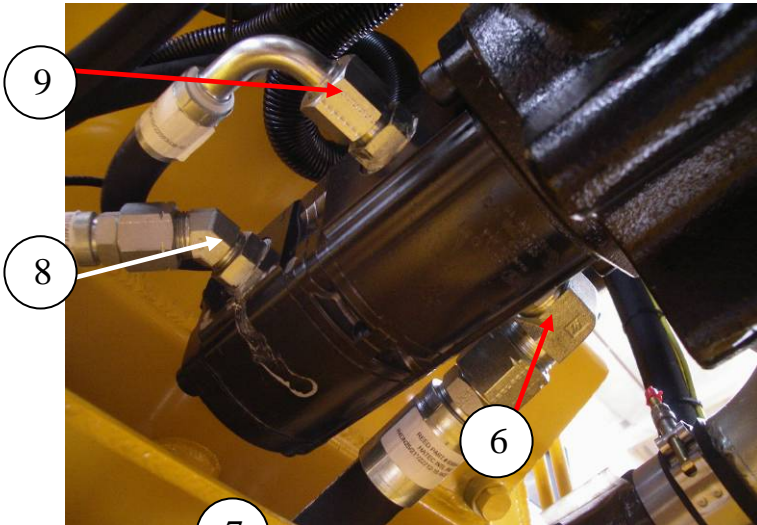
| ID # | PART # | PART DESCRIPTION | QUANTITY | |
|------|-----------|---|----------|----|
| 1 | 87724 | ENGINE QSB4.5 130HP. CUMMINS | 1 | EA |
| 2 | 79560-K | PUMP, KV3L80, KAWASAKI, 62HP | 1 | EA |
| 3 | 77876 | PUMP DRIVE -SAE 3 - SAE C | 1 | EA |
| 4 | 87153-001 | PUMP-RH-DBLE GEAR, 11.3/8.2 CC BOSCH | 1 | EA |
| 5 | 87725-002 | FUEL FILTER | 1 | EA |
| 6 | 87725-001 | OIL FILTER | 1 | EA |
| 7 | 87725-010 | AIR FILTER ELEMENT | 1 | EA |
| 8 | 87725-014 | AIR FILTER HOUSING ASSEMBLY | 1 | EA |
| 9 | 87725-015 | AIR FILTER HOUSING COVER, DUST EJECTION | 1 | EA |
| 10 | 88174 | O-RING | | |

ENGINE, PUMPS, AND FILTERS CONTINUED



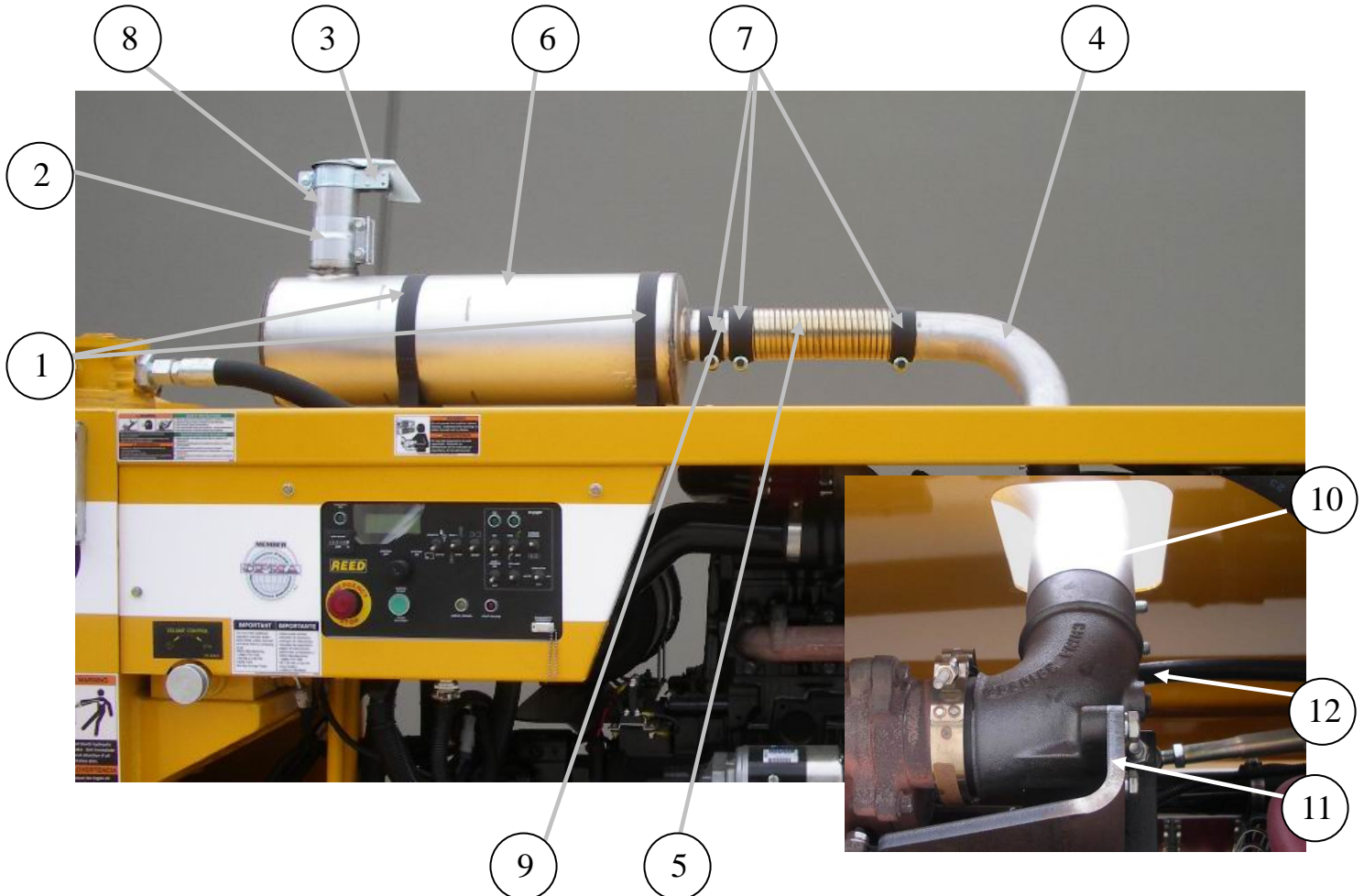
| ID # | PART # | PART DESCRIPTION | QUANTITY | |
|------|-----------|-------------------------------------|----------|----|
| 1 | 88036 | FITTING FUEL LINE, QUICK DISCONNECT | 1 | EA |
| 2 | 88037 | WASHER SEALING FOR 88036 FITTING | 1 | EA |
| 3 | 87793 | MOUNT FUEL FILTER, B SER CUMMINS | 1 | EA |
| 4 | 87567 | FITTING 90DEG METRIC TO JIC | 2 | EA |
| 5 | 87566 | FITTING BARBED JIC-STEM, 3/8-3/8 | 2 | EA |
| 6 | 87725-003 | FUEL/WATER SEPARATOR REPLACEMENT | 1 | EA |
| 7 | 87725-005 | FAN BELT | 1 | EA |

FITTINGS



| ID # | PART # | PART DESCRIPTION | QUANTITY | |
|------|-----------|--------------------------------|----------|----|
| 1 | 86264-007 | SPLIT FLANGE-CODE 61- 40 SAE | 2 | EA |
| 2 | 86911-009 | STEM, 2 ½" 90 DEG, 40GL-40FL90 | 1 | EA |
| 3 | 79803 | CLAMP - T-BOLT - 3.00 DIA | 4 | EA |
| 4 | 86265-003 | SPLIT FLANGE-CODE 62- 20 SAE | 2 | EA |
| 5 | 86912-006 | FLANGE, FLH6K-MJ90-20-16 | 1 | EA |
| 6 | | ADAPTOR, MB-MJ-90-12-10 | 1 | EA |
| 7 | 87754-020 | ELBOW, MB-MJ45-20-16 | 1 | EA |
| 8 | | MB-MJ-45-10 | 1 | EA |
| 9 | 86900-017 | MB-MJ0-10-10 | 1 | EA |

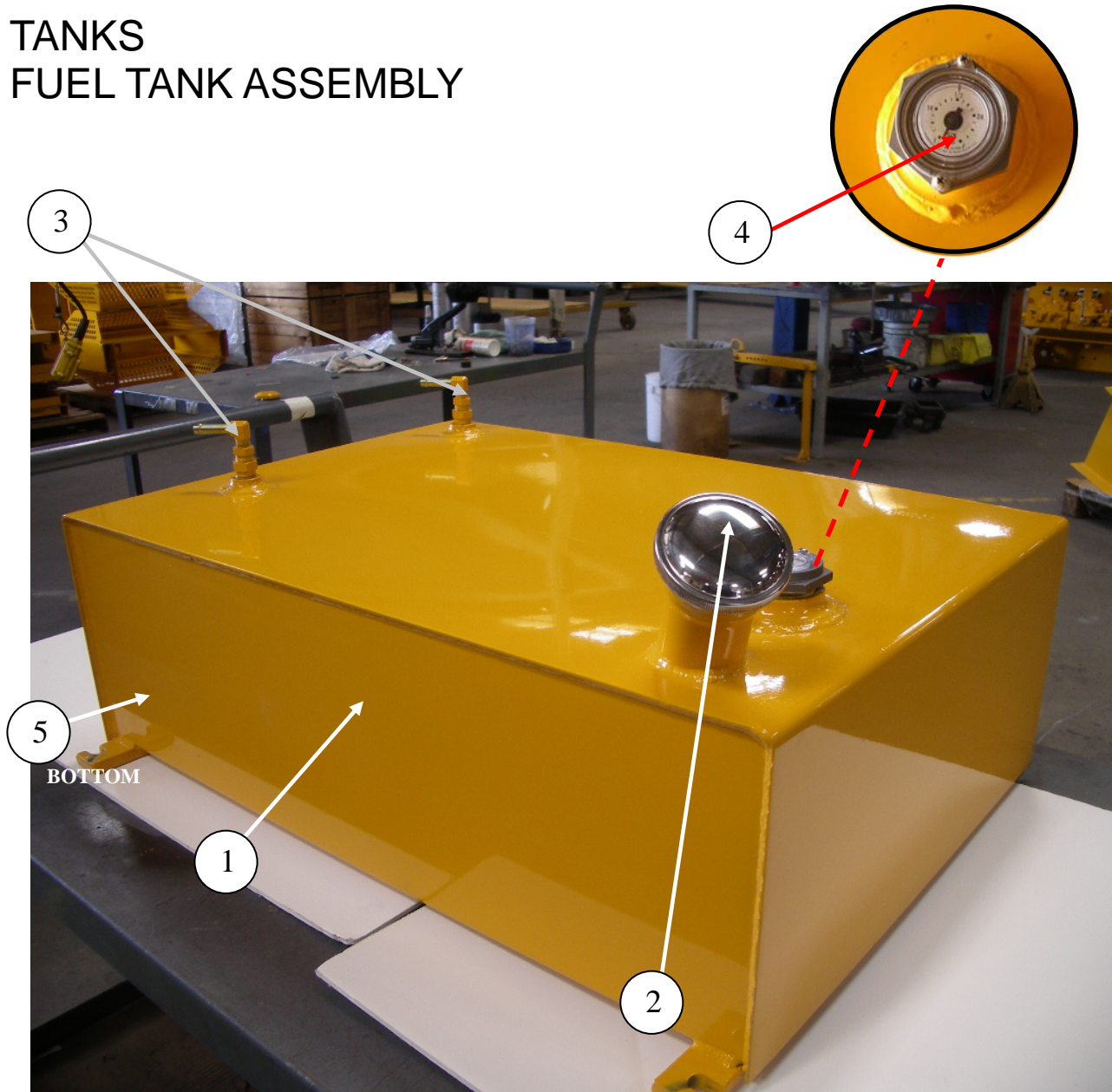
EXHAUST



| ID # | PART # | PART DESCRIPTION | QUANTITY | |
|------|--------|--------------------------------|----------|----|
| 1 | 87199 | MOUNTING BAND, 8.5" DIA | 2 | EA |
| 2 | 87198 | CLAMP, TORCTITE, 3" | 1 | EA |
| 3 | 73475 | RAIN CAP 3" | 1 | EA |
| 4 | 86648 | EXHAUST ELBOW 3" | 1 | EA |
| 5 | 87579 | EXHAUST FLEX TUBE, 3" 12" LONG | 1 | EA |
| 6 | 87792 | MUFFLER B SER CUMMINS | 1 | EA |
| 7 | 87578 | EXHAUST CLAMP, BENT BOLT 3" | 3 | EA |
| 8 | 87465 | TUBE EXHAUST, B SERIES, LONG | 1 | EA |
| 9 | 87878 | TUBE EXHAUST, B SERIES, SHORT | 1 | EA |
| 10 | 88013 | CLAMP EXHAUST 3" TORCTITE | 1 | EA |
| 11 | 88016 | BRACKET 4 CYL CUMMINS EXHAUST | 1 | EA |
| 12 | 74679 | PLUG 1/4" NPT SOCKET HEAD | 1 | EA |

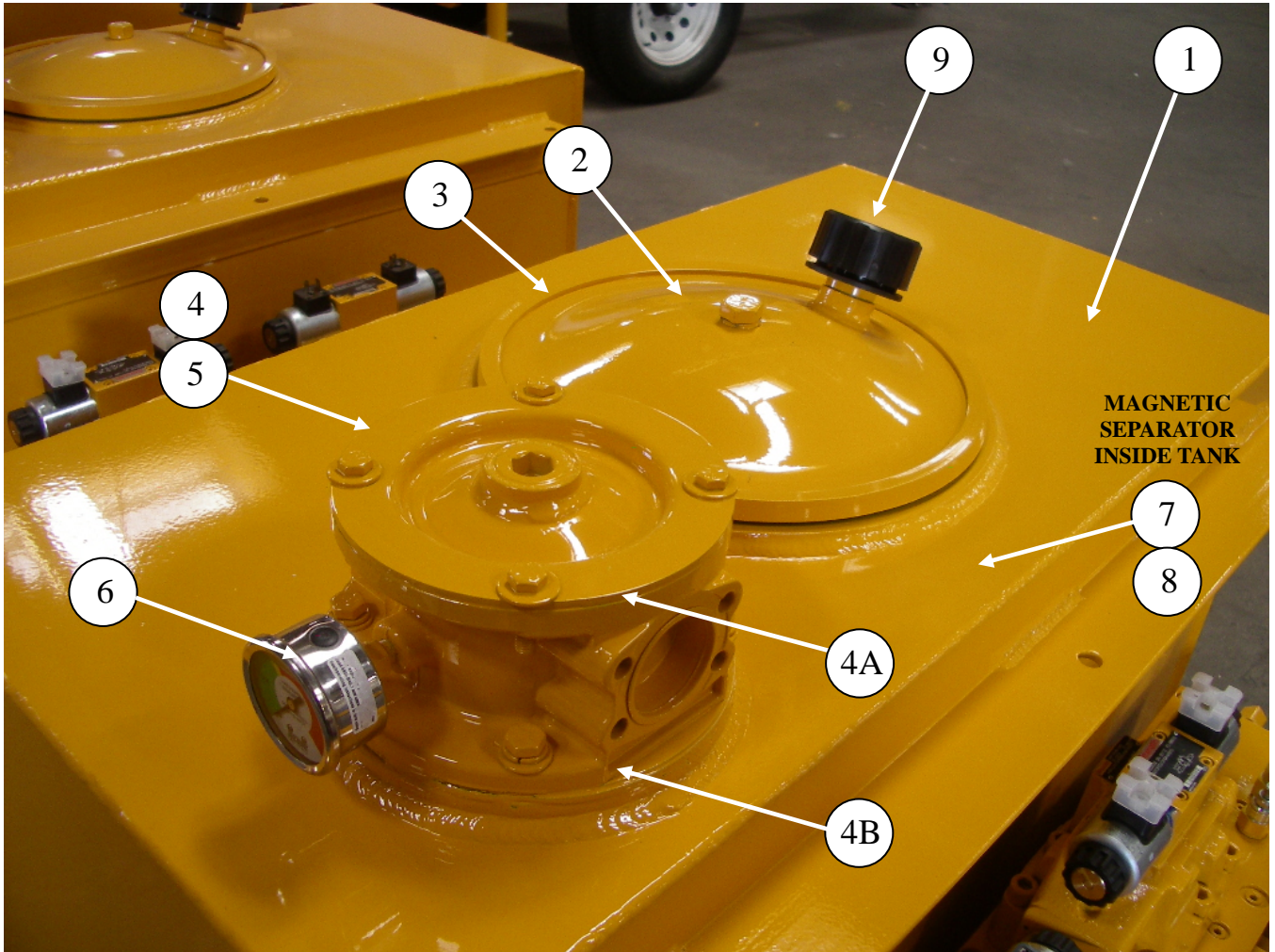
TANKS

FUEL TANK ASSEMBLY



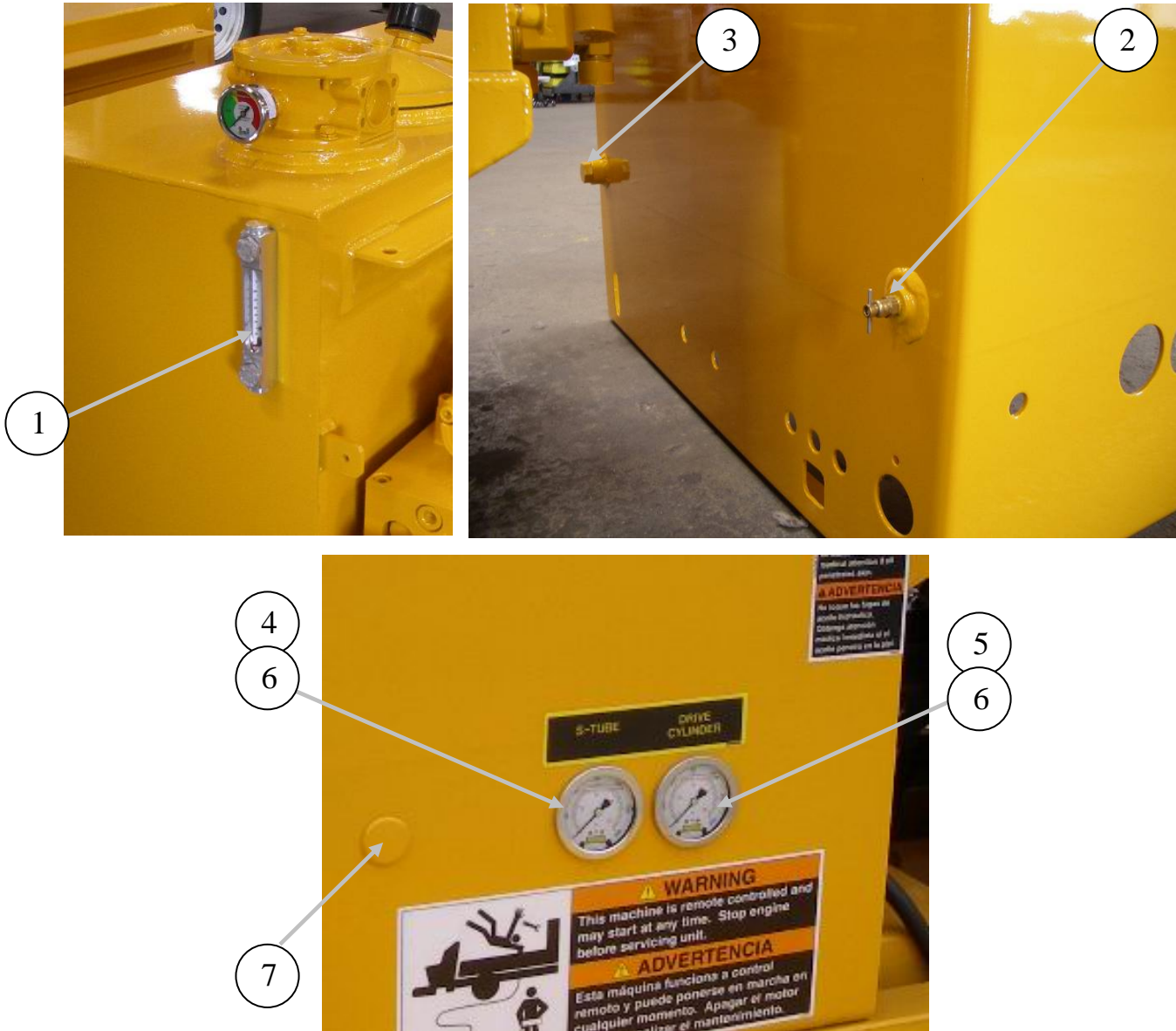
| ID # | PART # | PART DESCRIPTION | QUANTITY | |
|------|--------|------------------------------|----------|----|
| | 85363 | FUEL TANK ASSY B-SERIES | 1 | EA |
| 1 | 85111 | FUEL TANK WELDMENT, B-SERIES | 1 | EA |
| 2 | 85570 | FUEL CAP, 1 1/2 IN VENTED | 1 | EA |
| 3 | 85362 | TUBE, FUEL PICKUP, B-SERIES | 2 | EA |
| 4 | 85569 | FUEL GAUGE, 9 IN | 1 | EA |
| 5 | 10297 | PLUG-GALV 1/2" | 1 | EA |

HYDRAULIC TANK ASSEMBLY



| ID # | PART # | PART DESCRIPTION | QUANTITY | |
|------|---------|-----------------------------------|----------|----|
| | 85361 | HYD TANK ASSY B-SERIES | 1 | EA |
| 1 | 85102 | HYDRAULIC TANK WELDMENT, B-SERIES | 1 | EA |
| 2 | 85529 | ENDCOVER KIT, 12 IN W/DRAIN | 1 | EA |
| 3 | 85867 | GASKET- END COVER 12" | 1 | EA |
| 4 | 85282 | FILTER, RETURN, TANK MOUNTED | 1 | EA |
| 4A | BW10241 | SEAL KIT FOR 85282 FILTER RETURN | 1 | EA |
| 4B | 85282-G | GASKET-CORK | 1 | EA |
| 5 | 85283 | FILTER ELEMENT, PN 85282 FILTER | 1 | EA |
| 6 | 85575 | GAUGE, PN 85282 RETURN FILTER | 1 | EA |
| 7 | 79247 | MAGNETIC SEPERATOR 1 ¼ " NPT | 1 | EA |
| 8 | 800230 | MAGNETIC SEPARATOR,3"NPT | 1 | EA |
| 9 | 85537 | FILLER BREATHER, 3/4 NPT | 1 | EA |

HYDRAULIC TANK ASSEMBLY CONTINUED



| ID # | PART # | PART DESCRIPTION | QUANTITY | |
|------|--------|----------------------------------|----------|-----|
| 1 | 74509 | GAUGE-SIGHT/TEMPERATURE | 1 | EA |
| 2 | 801025 | DRAIN COCK, 1/4 NPT | 1 | EA |
| 3 | BG-12 | 3/4" SAE PLUG | 1 | EA |
| 4 | 70366 | PRESSURE GAUGE, 3000 PSI/BAR | 1 | EA |
| 5 | 74562 | PRESSURE GAUGE, 6000 PSI/BAR | 1 | EA |
| 6 | 78594 | MINICHECK GAUGE ADAPTOR, 1/4 NPT | 2 | EA |
| 7 | | HOFFMAN PLUG | 1 | A/R |

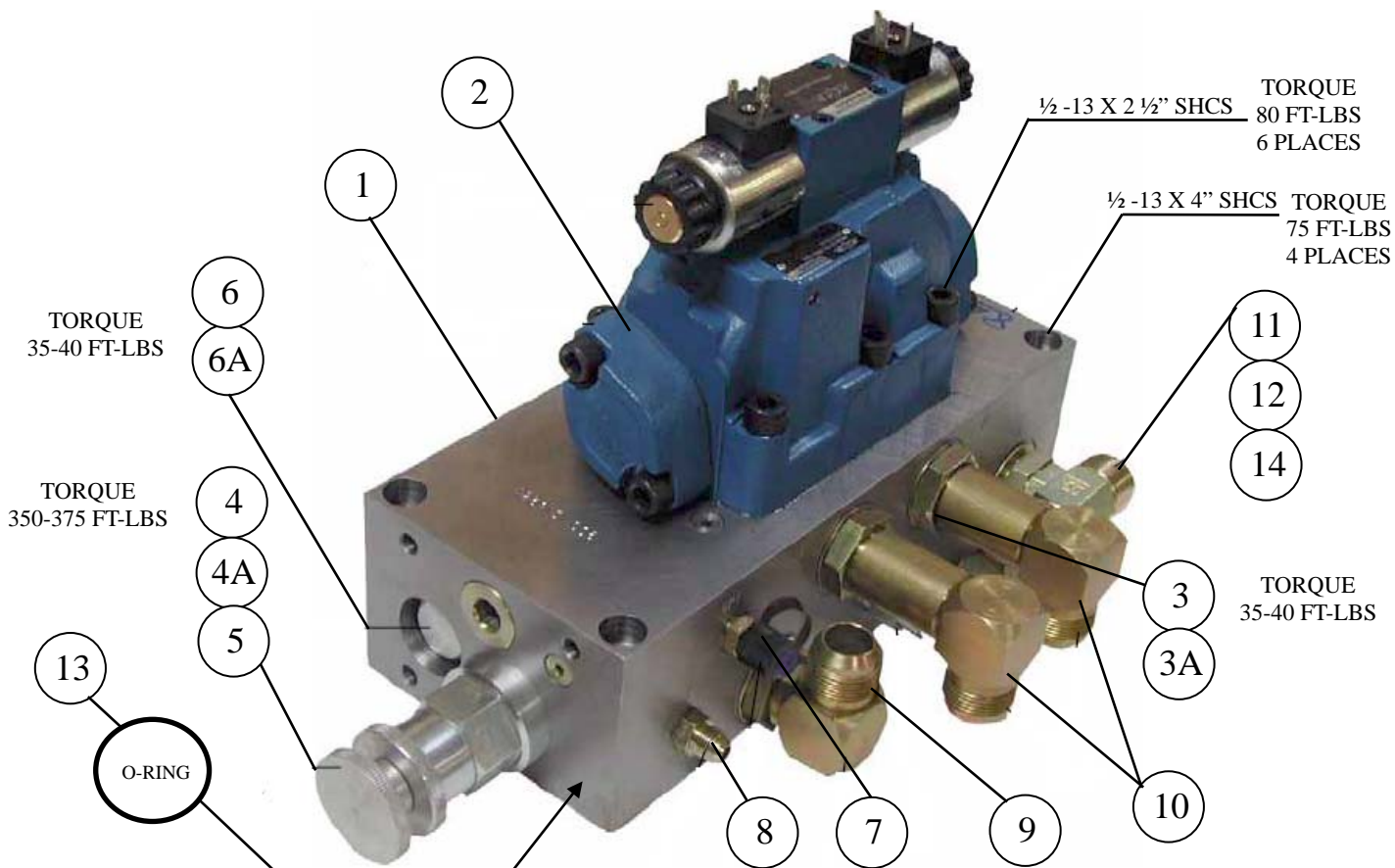


B70HPDV08

PARTS

13822 Oaks Avenue
Chino, CA 91710
reedpumps.com

MANIFOLDS DRIVE CYLINDER CIRCUIT MANIFOLD ASSEMBLY



| ID # | PART # | PART DESCRIPTION | QUANTITY | |
|------|-----------|-------------------------------------|----------|----|
| | 85248 | MANIFOLD, CYLINDER CIRCUIT ASSEMBLY | 1 | EA |
| 1 | 86820 | MANIFOLD, MACHINED CYLINDER CIRCUIT | 1 | EA |
| 2 | 85689 | SOLENOID VALVE, DRIVE CYLINDER | 1 | EA |
| 3 | 85696 | RELIEF VALVE CARTRIDGE | 1 | EA |
| 3A | 85696-SK | SEAL KIT | | |
| 4 | 85697 | FLOW CONTROL CARTRIDGE | 1 | EA |
| 4A | 85697-SK | SEAL KIT | | |
| 5 | 86947 | KNOB KIT, ALUMINUM | 1 | EA |
| 6 | 85698 | CHECK VALVE CARTRIDGE | 1 | EA |
| 6A | 85698-SK | SEAL KIT | | |
| 7 | 78593 | MINICHECK ADAPTOR, SAE 4 | 1 | EA |
| 8 | 86900-002 | ADAPTOR, MB-MJ-4-6 | 1 | EA |
| 9 | 86728-023 | ELBOW, MB-MJ45-16-16 | 1 | EA |
| 10 | 86904-012 | ELBOW, MB-MJ90LL-16-16 | 2 | EA |
| 11 | 86945-001 | TEE, MJ-MB-MJT-16 | 1 | EA |
| 12 | 86905-016 | ELBOW, MJ-FJX90-16-16 | 1 | EA |
| 13 | 86946 | O-RING #230 BUNA 90DUR | 1 | EA |
| 14 | 86948-001 | REDUCER, JIC MJ-FJ-10-16 | 1 | EA |



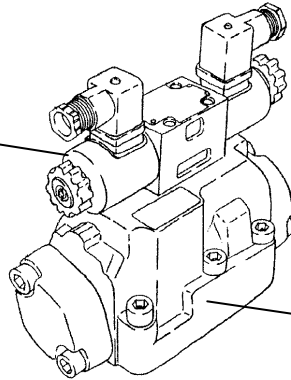
B70HPDV08

PARTS

13822 Oaks Avenue
Chino, CA 91710
reedpumps.com

DRIVE CYLINDER CIRCUIT MANIFOLD ASSEMBLY CONT.

DRIVE CYLINDER
PILOT SOLENOID
VALVE



DRIVE CYLINDER VALVE
ASSEMBLY COMPLETE

85689

DRIVE CYLINDER
MAIN VALVE

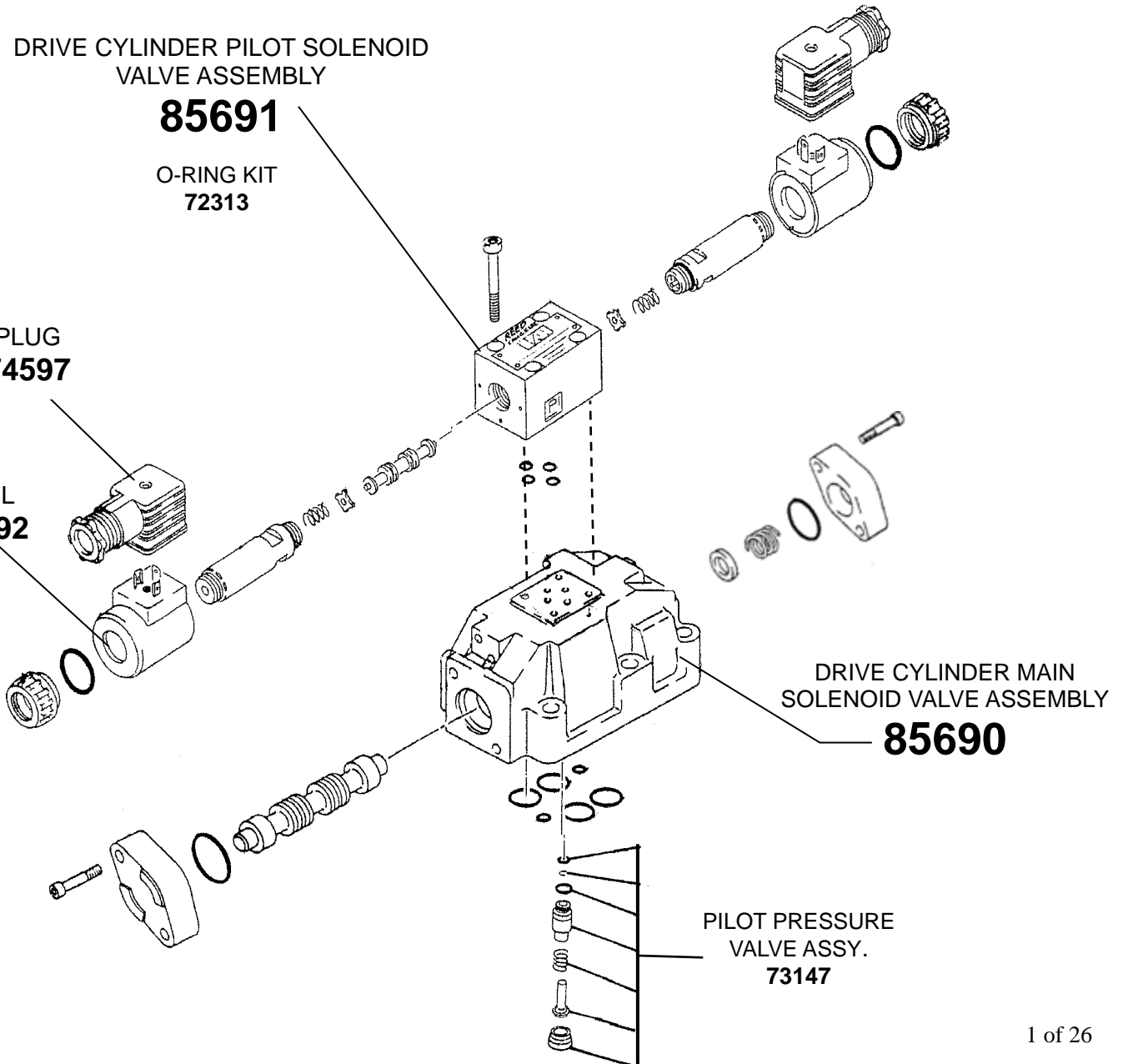
DRIVE CYLINDER PILOT SOLENOID
VALVE ASSEMBLY

85691

O-RING KIT
72313

PLUG
74597

COIL
85692



DRIVE CYLINDER MAIN
SOLENOID VALVE ASSEMBLY

85690

PILOT PRESSURE
VALVE ASSY.
73147

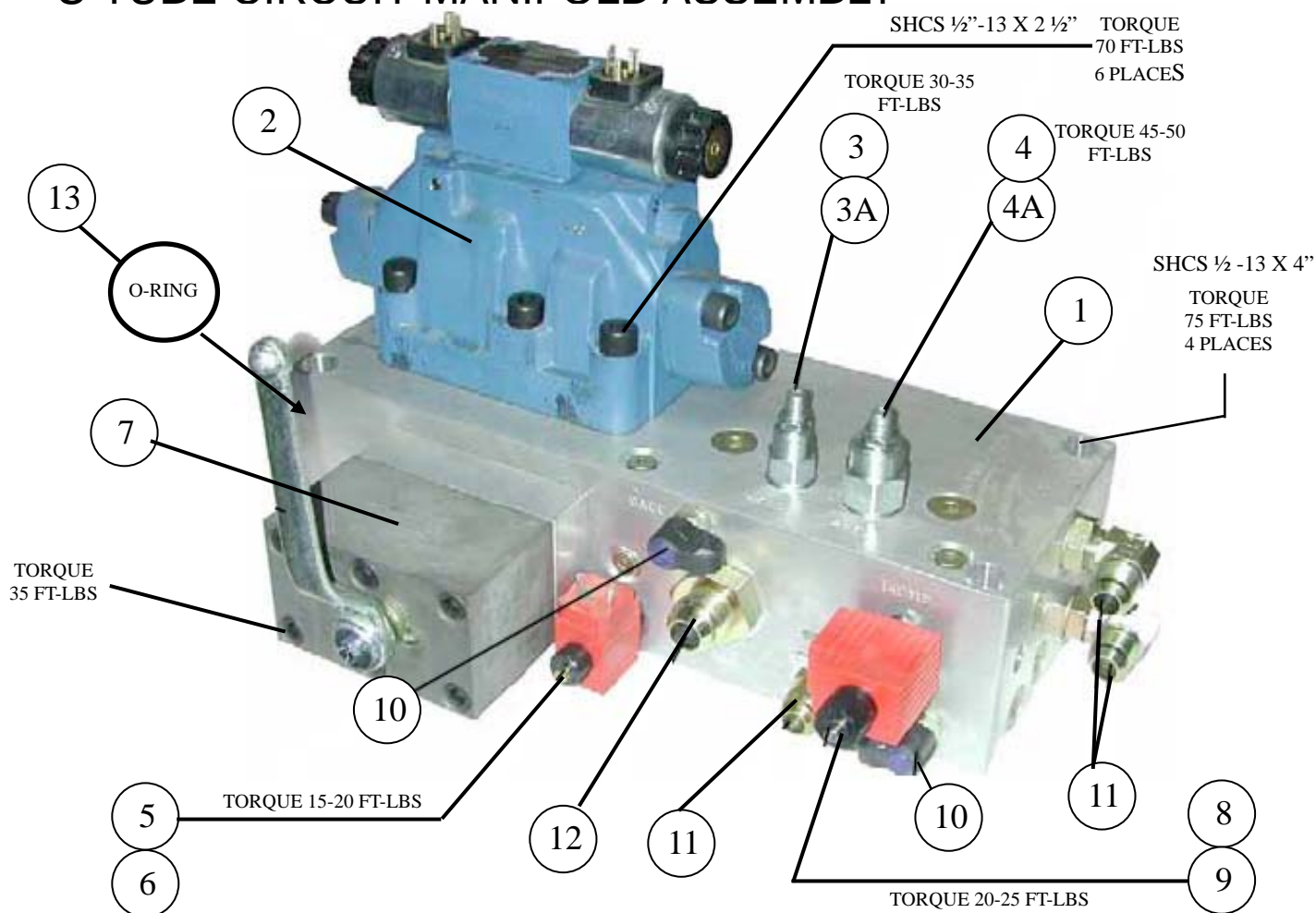


B70HPDV08

PARTS

13822 Oaks Avenue
Chino, CA 91710
reedpumps.com

S-TUBE CIRCUIT MANIFOLD ASSEMBLY



| ID # | PART # | PART DESCRIPTION | QUANTITY | |
|------|-----------|-----------------------------------|----------|----|
| | 85249 | MANIFOLD, S-TUBE CIRCUIT ASSEMBLY | | |
| 1 | 86821 | MANIFOLD, MACHINED S-TUBE CIRCUIT | 1 | EA |
| 2 | 85693 | SOLENOID VALVE, S-TUBE SHIFT | 1 | EA |
| 3 | 85704 | UNLOADER VALVE CARTRIDGE, (QCDB) | 1 | EA |
| 3A | 85704-SK | SEAL KIT | | |
| 4 | 85703 | RELIEF VALVE CARTRIDGE, (RVEA) | 1 | EA |
| 4A | 85703-SK | SEAL KIT | | |
| 5 | 87246 | SOLENOID VALVE CARTRIDGE, (12CHS) | 1 | EA |
| 6 | 87247 | COIL, 12VDC, | 1 | EA |
| 7 | 85705 | BALL VALVE, | 1 | EA |
| 8 | 87248 | SOLENOID VALVE CARTRIDGE, (14CHS) | 1 | EA |
| 9 | 87249 | COIL, 12V DC FOR PN-87248 | 1 | EA |
| 10 | 78593 | MINICHECK ADAPTOR, SAE | 2 | EA |
| 11 | 86728-014 | ELBOW, MB-MJ90-10-10 | 2 | EA |
| 12 | 86900-027 | ADAPTOR, MB-MJ-16-12 | 1 | EA |
| 13 | 86946 | O-RING #230 BUNA 90DUR | 1 | EA |

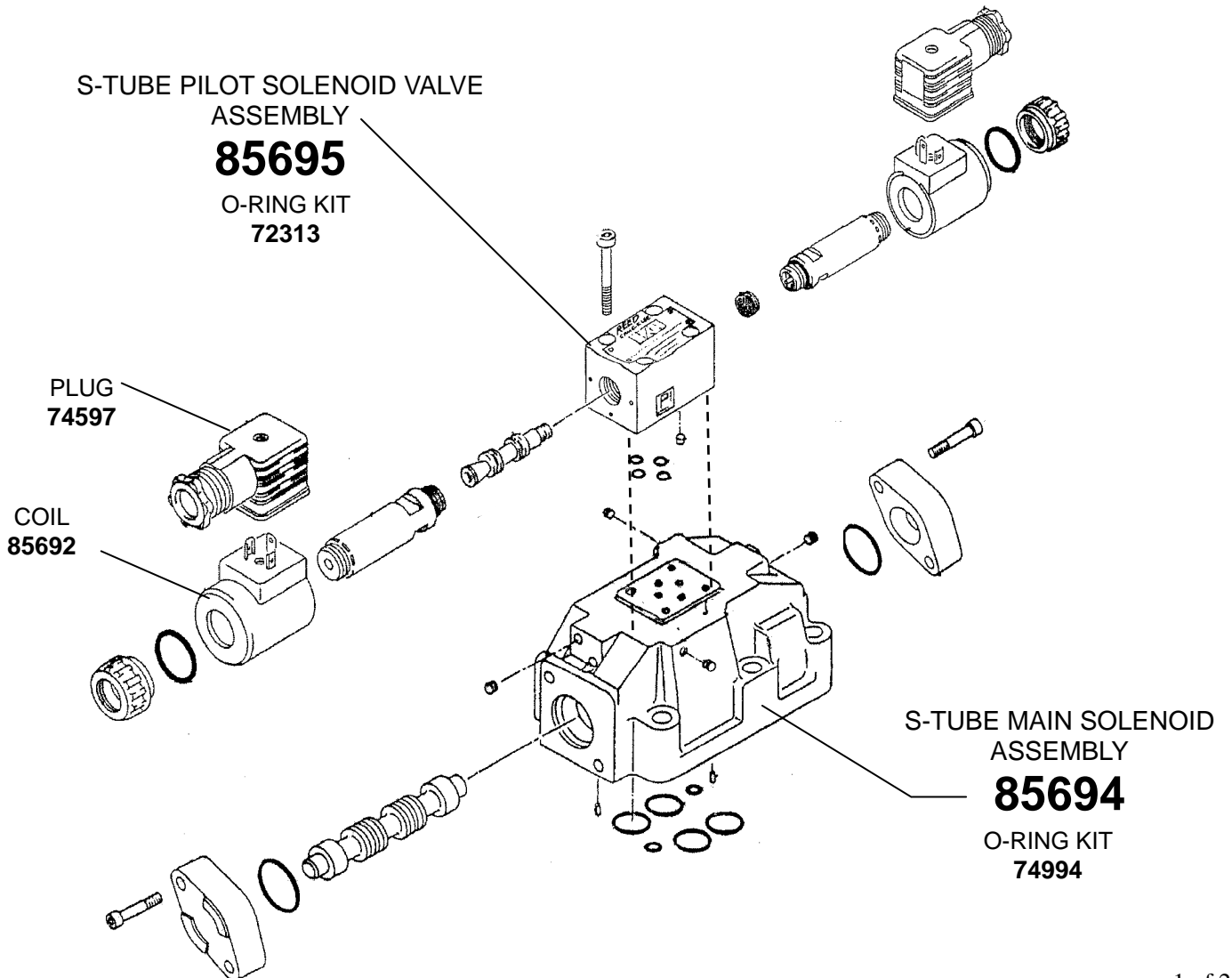
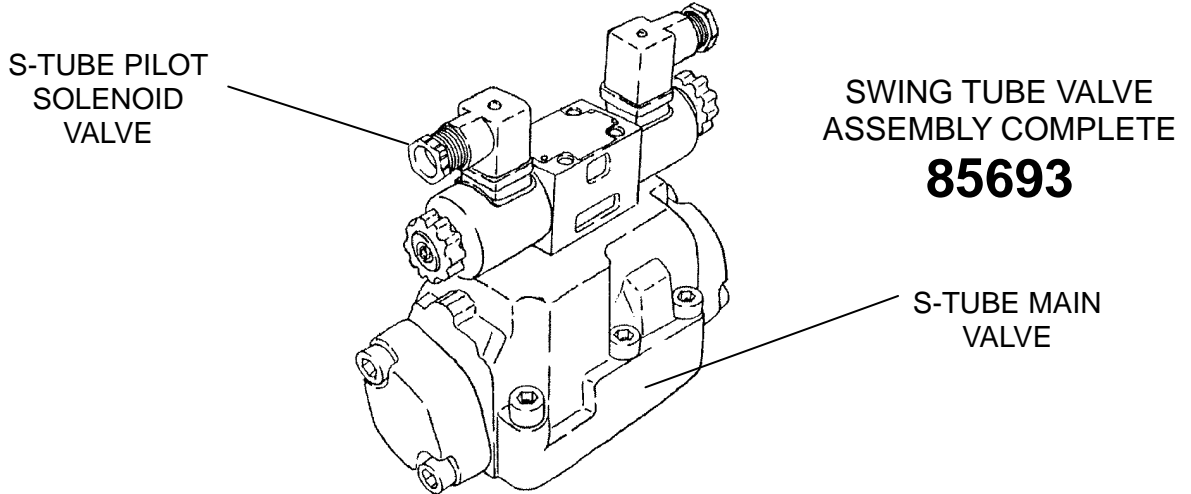


B70HPDV08

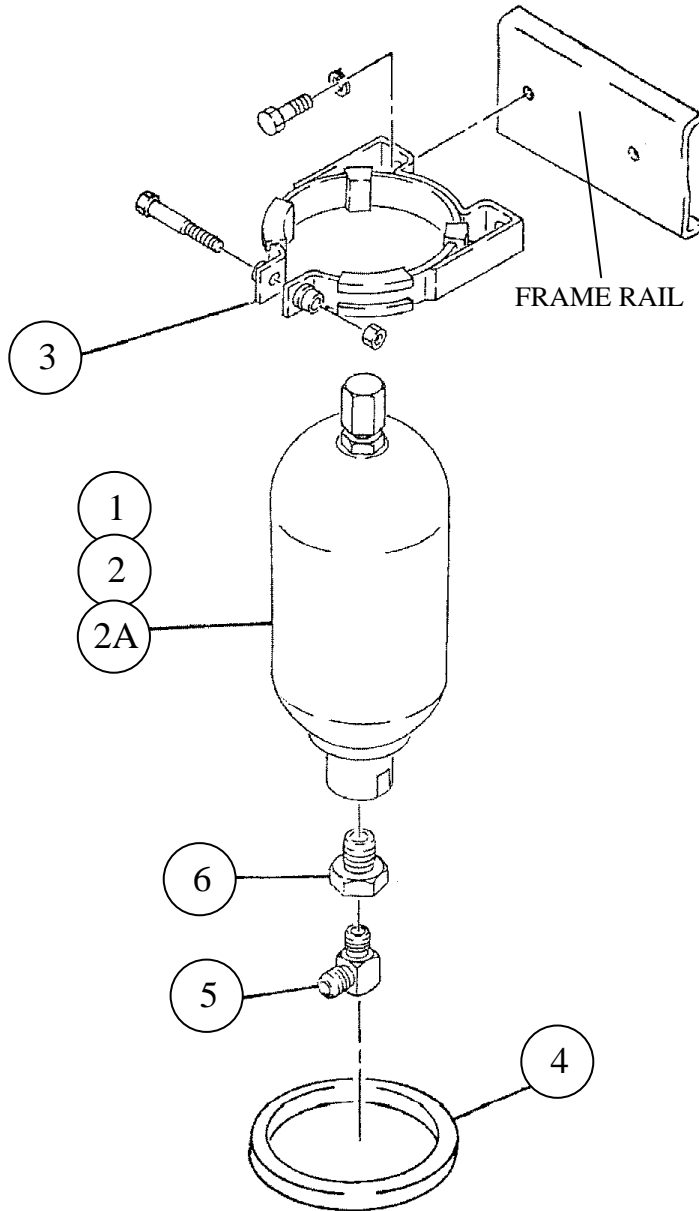
PARTS

13822 Oaks Avenue
Chino, CA 91710
reedpumps.com

S-TUBE CIRCUIT MANIFOLD ASSEMBLY CONT.

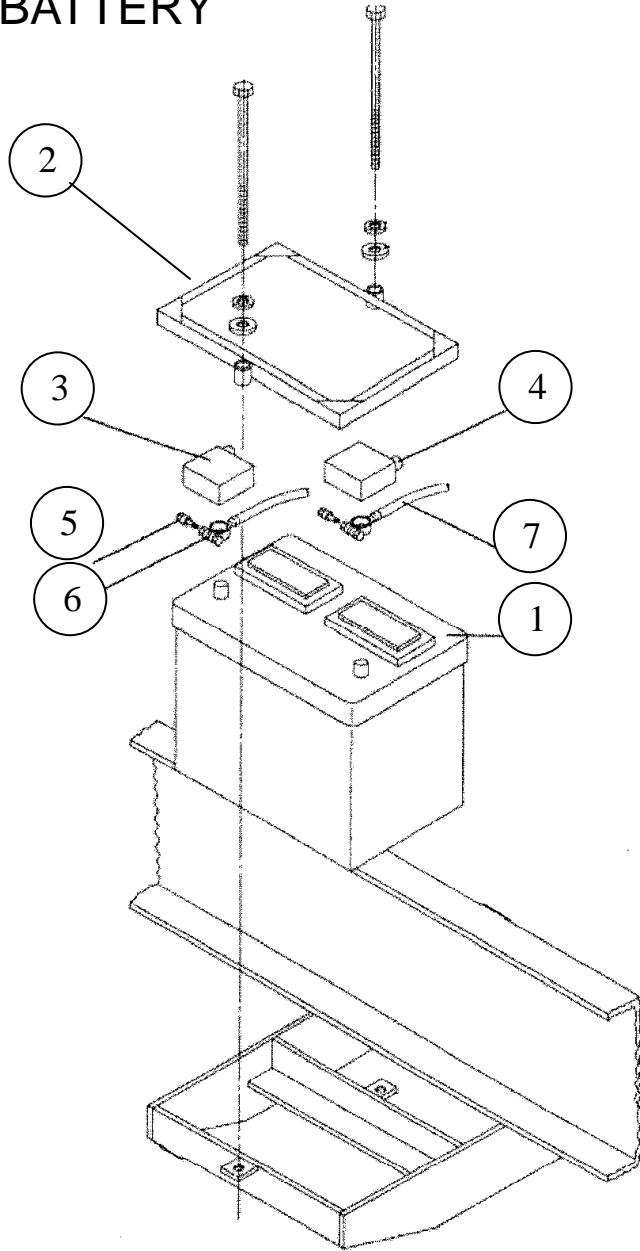


ACCUMULATOR ASSEMBLY



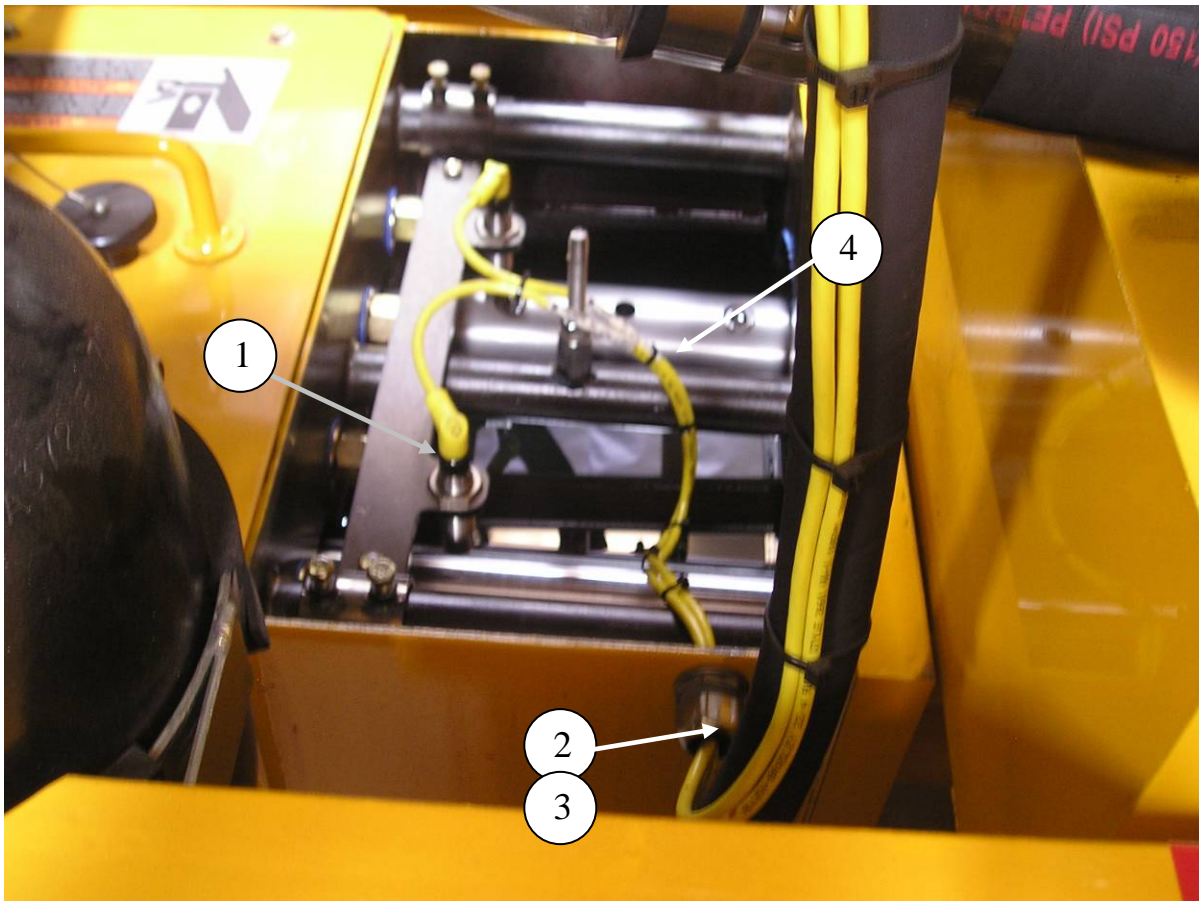
| ID # | PART # | PART DESCRIPTION | QUANTITY | |
|------|-----------|------------------------------------|----------|----|
| 1 | 74515 | ACCUMULATOR-1 GAL 3000PSI | 1 | EA |
| 2 | 74516 | BLADDER, 1 GAL. | 1 | EA |
| 2A | 85812 | BLADDER SEAL KIT | 1 | EA |
| 3 | 73171 | ACCUMULATOR BKT.W/CLOSING HARDWARE | 1 | EA |
| 4 | 801028 | GROMMET, ACCUMULATOR | 1 | EA |
| 5 | 86728-019 | ELBOW, MB-MJ90-12-12 | 1 | EA |
| 6 | 86920-20 | REDUCER MB-FB-20-12 | 1 | EA |

ELECTRICAL GROUP BATTERY



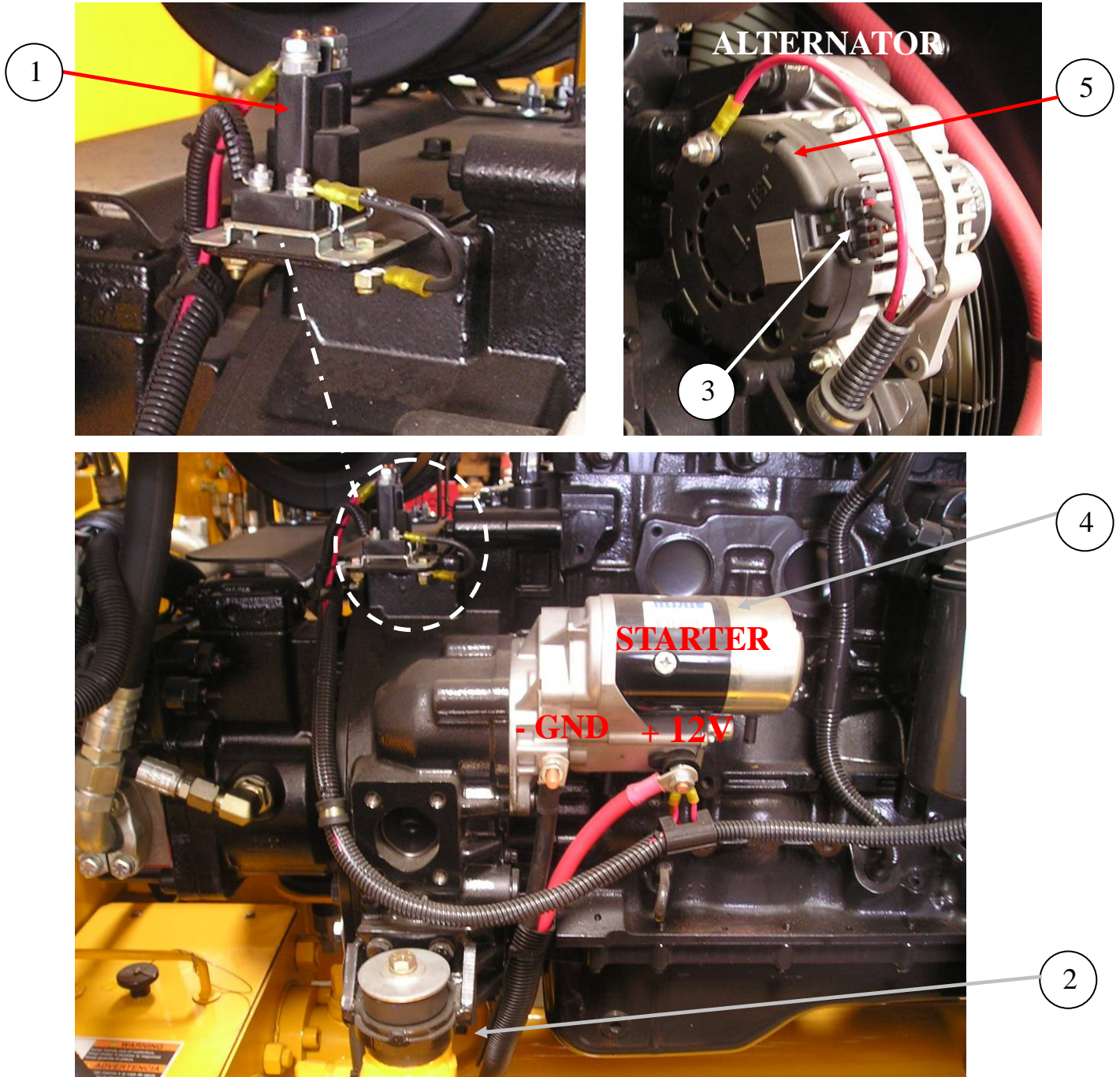
| ID # | PART # | PART DESCRIPTION | QUANTITY | |
|------|--------|-------------------------------------|----------|----|
| | 87930 | ELECTRICAL GROUP B SER 2008 CUMMINS | 1 | EA |
| 1 | 77075 | BATTERY-12V 1000 CCA31 | 1 | EA |
| 2 | 72945 | BATTERY HOLD DOWN | 1 | EA |
| 3 | 87221 | INSULATOR, RIGHT ELBOW-RED | 1 | EA |
| 4 | 87222 | INSULATOR, LEFT ELBOW-BLACK | 1 | EA |
| 5 | 87223 | EXTENDER, TOP TERMINAL BOLT | 2 | EA |
| 6 | 87732 | CABLE-43" BATTERY-RED 2/0 | 1 | EA |
| 7 | 87733 | CABLE-37" BATTERY-BLACK 2/0 | 1 | EA |

PROXIMITY SWITCHES

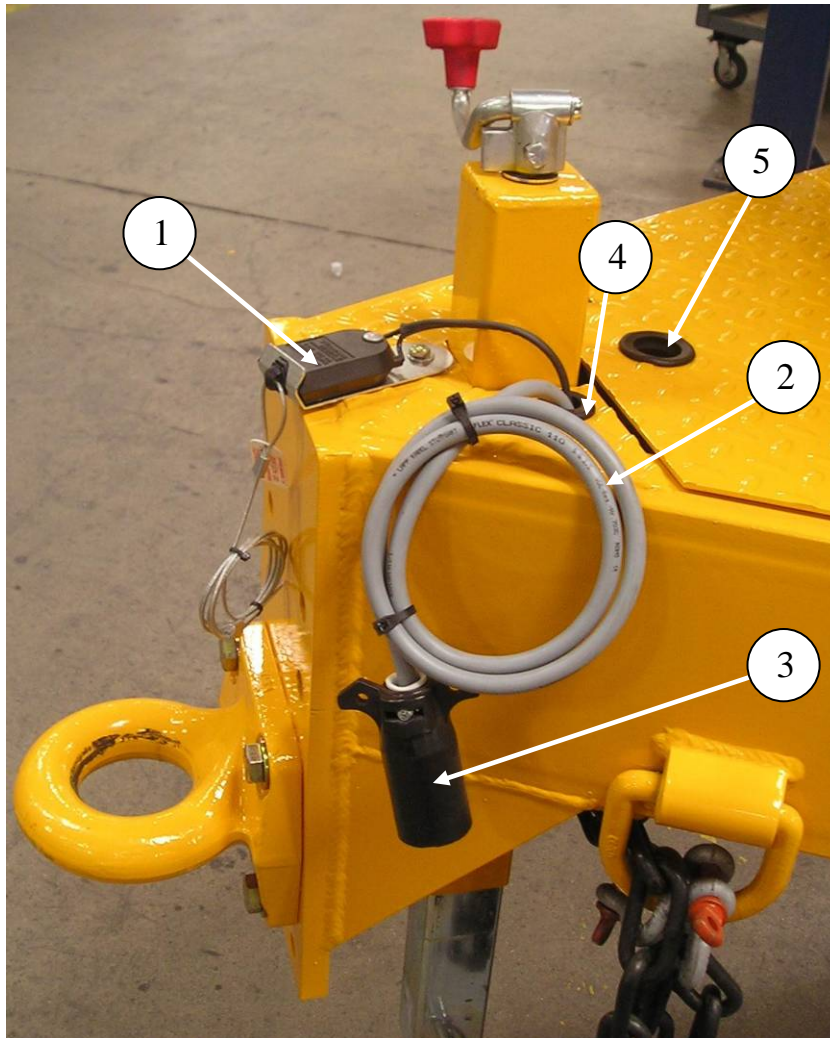


| ID # | PART # | PART DESCRIPTION | QUANTITY | |
|------|--------|-------------------------------------|----------|----|
| 1 | 77998 | PROXIMITY SENSOR NPN FLUSH BOX MOUT | 2 | EA |
| 2 | 10522 | STRAIN RELIEF | 1 | EA |
| 3 | 10528 | NUT-1/2" BONDING TYPE LOCK | 1 | EA |
| 4 | 77990 | CABLE, PROXIMITY SWITCH, 5M | 2 | EA |

STARTER AND ALTERNATOR

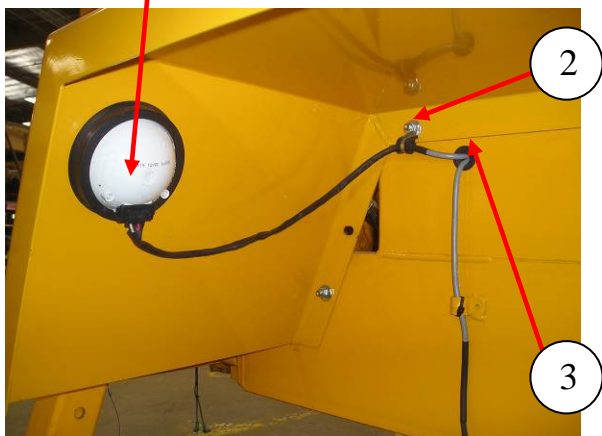


| ID # | PART # | PART DESCRIPTION | QUANTITY | |
|------|-----------|-------------------------------------|----------|----|
| 1 | 87541 | RELAY STARTER 12VDC-SELL W/87544 | 1 | EA |
| 2 | 73269 | GROUND STRAP | 1 | EA |
| 3 | 87669 | PIGTAIL HARNESS, FOR CUMMINS ALTERN | 1 | EA |
| 4 | 87725-006 | STARTER MOTOR | 1 | EA |
| 5 | 87725-007 | ALTERNATOR | 1 | EA |

TRAILER HARNESS AND BREAKAWAY

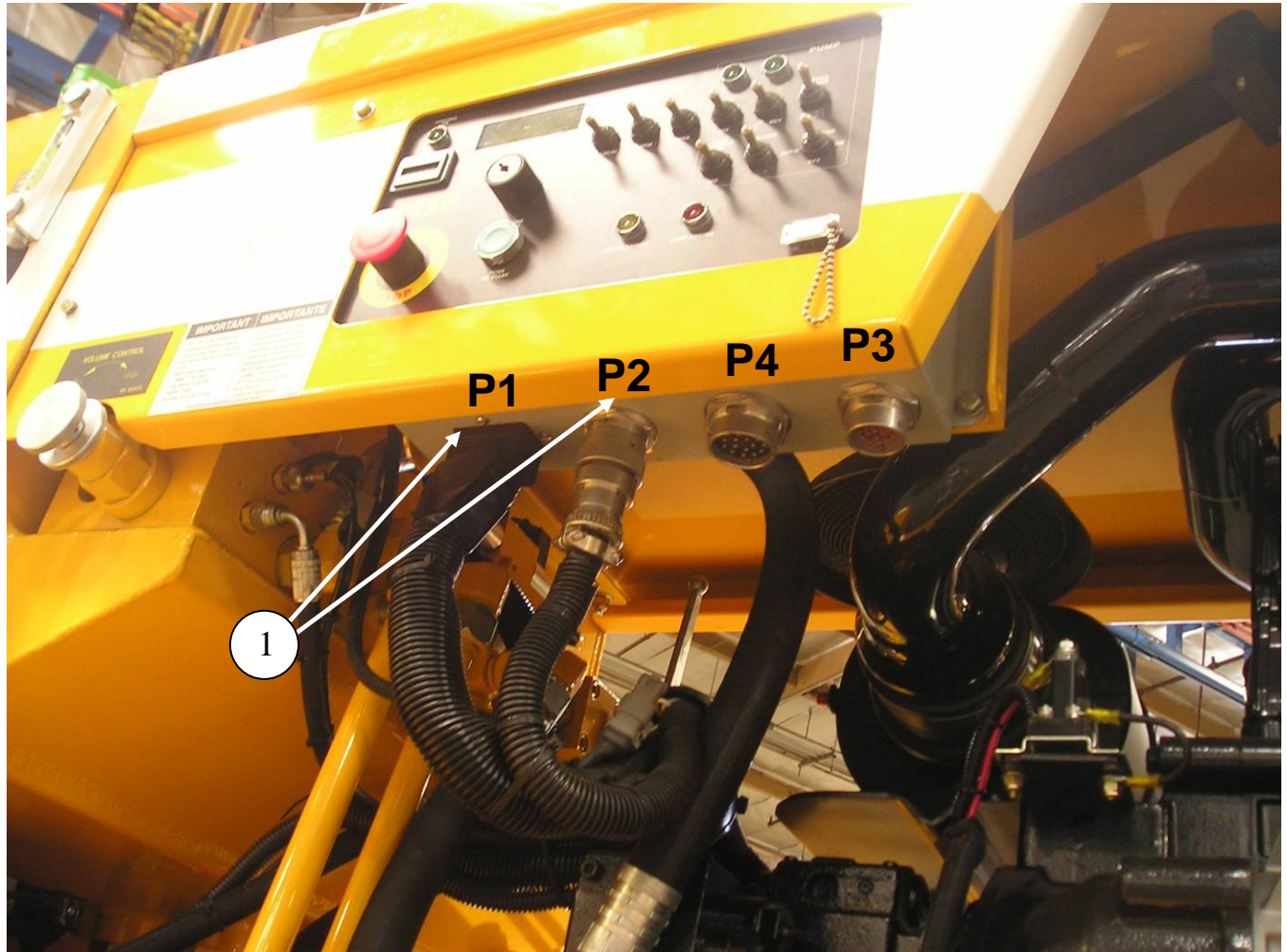
| ID # | PART # | PART DESCRIPTION | QUANTITY | |
|------|--------|---------------------------|----------|----|
| 1 | 77705 | BREAK-AWAY KIT | 1 | EA |
| 2 | 86533 | TRAILER HARNESS- B-SERIES | 1 | EA |
| 3 | 86579 | TRAILER PLUG 7C FLAT PI | 1 | EA |
| 4 | 72949 | GROMMET | 1 | EA |
| 5 | 72813 | GROMMET | 1 | EA |

TAIL LIGHTS



| ID # | PART # | PART DESCRIPTION | QUANTITY | |
|------|--------|------------------|----------|----|
| 1 | 72948 | TAIL LIGHT | 2 | EA |
| 2 | 87665 | LOOM CLAMP 7/8" | 2 | EA |
| 3 | 72949 | GROMMET | 2 | EA |

WIRING HARNESS



| ID # | PART # | PART DESCRIPTION | QUANTITY | |
|------|---------|-------------------------------------|----------|----|
| 1 | 87734-1 | WIRING HARNESS B SER HOPPER SAFETY | 1 | EA |
| | BW10145 | PLUG CONNECTOR, 24 PIN | 1 | EA |
| | BW10146 | BOOT, FOR BW10145 PLUG | 1 | EA |
| | BW10147 | PIN, FOR BW10145 PLUG | 24 | EA |
| | 87540 | CABLE SOLENOID VALVE, WITH DIN PLUG | 7 | EA |
| | 77990 | CABLE, PROXIMITY SWITCH, 5M | 3 | EA |
| | 10522 | STRAIN RELIEF | 1 | EA |
| | 87456 | PLUG CONNECTOR, 8 PIN | 1 | EA |
| | 87457 | PIN, FOR 87456 PLUG | 8 | EA |
| | 85615 | CABLE, 14AWG-2C, PVC-GRY | 15.5 | FT |
| | 85617 | CABLE, 14AWG-4C, PVC-GRY | 8.75 | FT |
| | 77640 | DIODE, 1N4003 | 1 | EA |
| | BW10324 | WIRE, #8 SRML BLACK | 8.75 | FT |
| | 85619 | CABLE, 16AWG-4C, PVC-GRY | 8 | FT |



B70HPDV08

PARTS

13822 Oaks Avenue
Chino, CA 91710
reedpumps.com

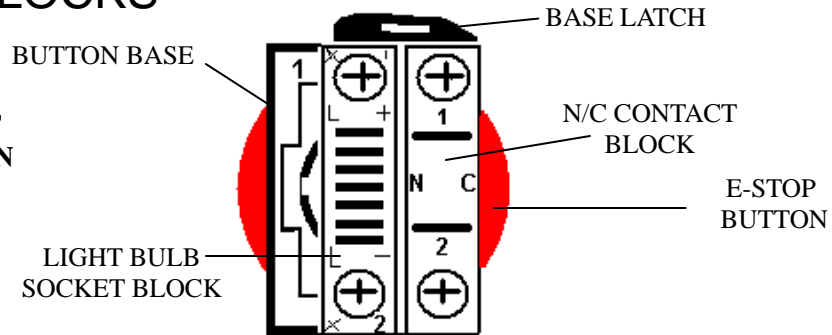
B-SERIES CONTROL BOX



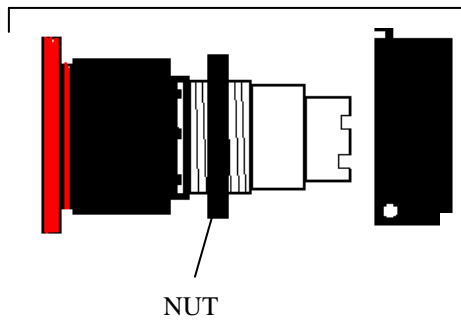
| ID # | PART # | PART DESCRIPTION | QUANTITY | |
|------|-----------|--|----------|----|
| | 87346-2 | CONTROL BOX, REV-H | 1 | EA |
| 1 | BW10372 | SW,TOGGLE, (ON-OFF-ON) VIBRATOR | 1 | EA |
| 2 | BW10207 | SW,TOGGLE, (ON-OFF) PUMP ON/OFF & FWD/REV | 2 | EA |
| 3 | BW10223 | SW,TOGGLE, (ON-ON) LOCAL/REMOTE | 1 | EA |
| 4 | BW10206 | SW,TOGGLE,(ON-OFF) STROKE CHANGE& HORN | 2 | EA |
| 5 | BW10205 | SW,TOGGLE,(ON-OFF-ON) RPM+/- & VOLUME+/- | 2 | EA |
| 6 | BW10361 | SW, SEALING BOOT | 9 | EA |
| 7 | BW10208 | MUSHROOM HEAD MAINTANED BUTT. | 1 | EA |
| 8 | BW10209 | E-STOP LIGHT(POWER SUPPY) | 1 | EA |
| 9 | BW10210 | NC CONTACT BLOCK | 1 | EA |
| 10 | BW10211 | LGT, WL-41047MINI RED 15 | 1 | EA |
| 11 | 87952 | SW, (FAST CHANGE) | 1 | EA |
| 12 | BW10355 | SW, PB GRN FLUSH (ENG START) | 1 | EA |
| 13 | BW10354 | SW, KEYSWITCH BLK | 1 | EA |
| 13A | BW10204-1 | KEY ONLY | 2 | EA |
| 14 | 88017 | SW, CONTACT BLOCK N.O. (SYS ON) (ENG START) | 3 | EA |
| 15 | BW10212 | MINI HOURMETER | 1 | EA |
| 16 | | DISPLAY,LCD 20CX4L W/BACKLIT | 1 | EA |
| 17 | BW10369 | LED, PILOT LIGHT, (GRN) | 3 | EA |
| 18 | BW10370 | LED, PILOT LIGHT, (RED) | 1 | EA |
| 19 | BW10371 | LED, PILOT LIGHT, (AMBER) | 1 | EA |
| 20 | 72862 | GAUGE FOR PROX.SENSOR SETTING | 1 | EA |

CONTACT BLOCKS

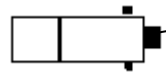
**BACK SIDE OF
E-STOP BUTTON**



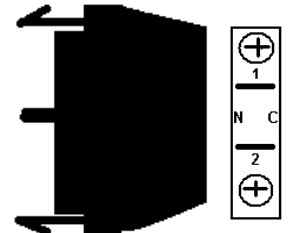
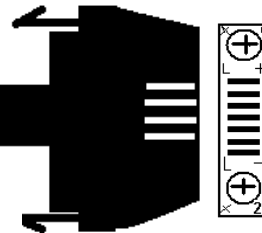
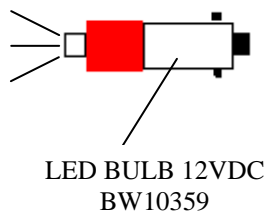
**E-STOP PUSH BUTTON
BW10208**



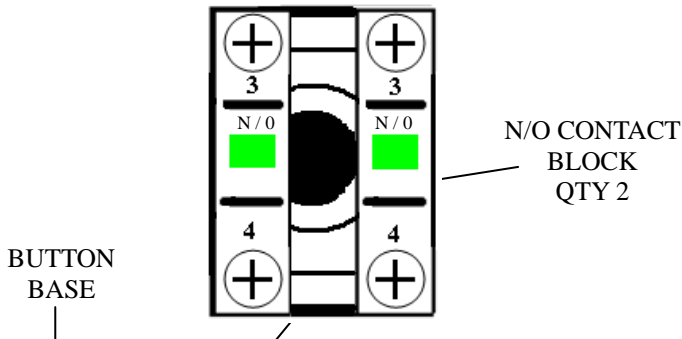
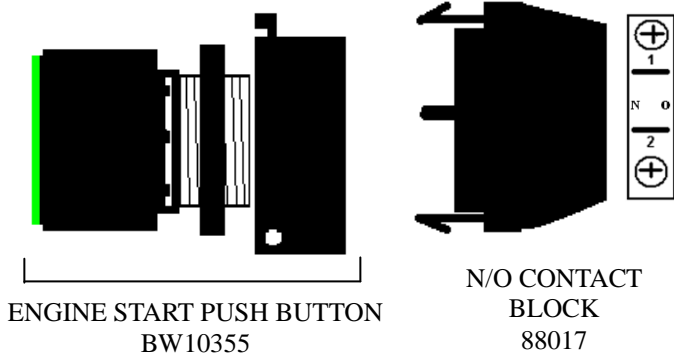
**BULB 12VDC
85344**



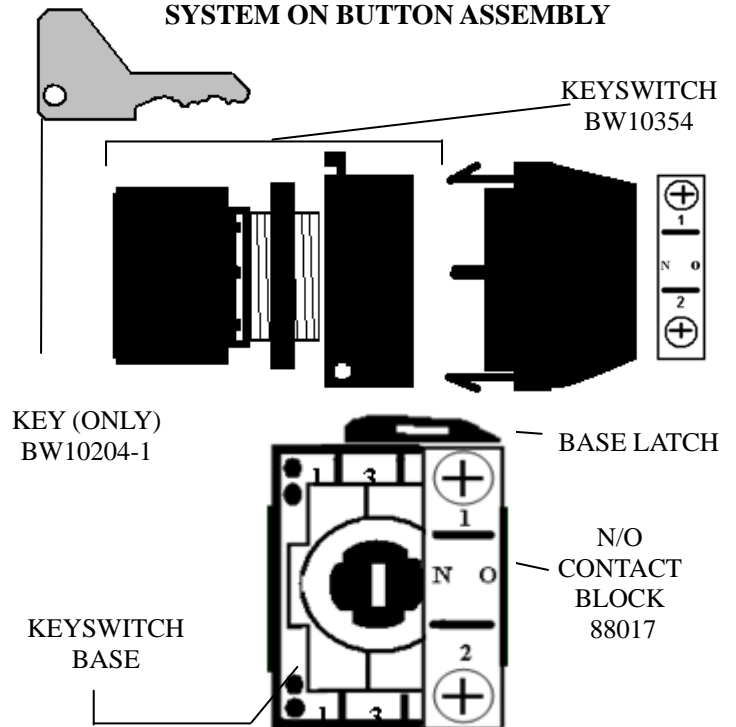
OR



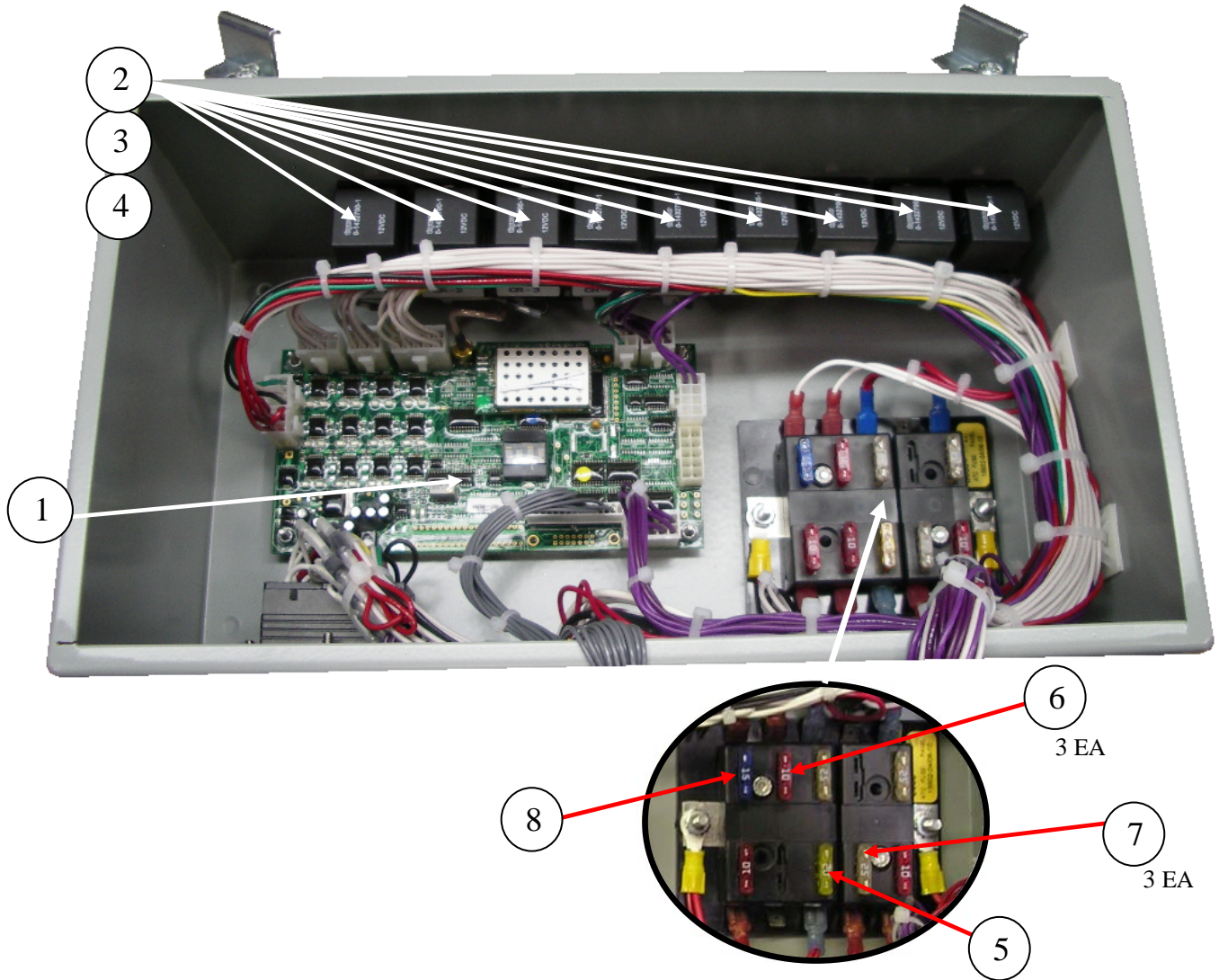
ENGINE START BUTTON ASSEMBLY



SYSTEM ON BUTTON ASSEMBLY



RELAYS AND FUSES



| ID # | PART # | PART DESCRIPTION | QUANTITY | |
|------|-------------|------------------------|----------|----|
| 1 | 87346-BOARD | CONTROL BOARD | 1 | EA |
| 2 | 87970 | RELAY, DIODE SUPRESSED | 9 | EA |
| 3 | 72927 | RELAY, PINS | 36 | EA |
| 4 | BW10224 | SOCKET,RELAY | 9 | EA |
| 5 | 800448 | FUSE, 20A ATO | 1 | EA |
| 6 | 800449 | FUSE, 10A ATO | 3 | EA |
| 7 | 800447 | FUSE, 25A ATO | 3 | EA |
| 8 | 90391 | FUSE, 15A ATO | 1 | EA |

CONNECTORS



| ID # | PART # | PART DESCRIPTION | QUANTITY | |
|------|---------|---|----------|----|
| 1 | BW10217 | CONN,DRC12-24PA (P1) | 1 | EA |
| 2 | BW10220 | CONN,DRC24-GASKET | 1 | EA |
| 3 | BW10221 | DEUTSCH PINS, (MALE) | 24 | EA |
| 4 | | CONN,HD34-18-08PN (P2) | 1 | EA |
| 5 | 87807 | DEUTSCH PINS, (MALE) | 8 | EA |
| 6 | | CONN, HD34-24-16SN 16 PIN (P4) | 1 | EA |
| 7 | 87808 | DEUTSCH PINS, (FEMALE) | 16 | EA |
| 8 | 88478 | CONN,HD34-18-14PN (P3) | 1 | EA |
| 9 | BW10221 | DEUTSCH PINS, (MALE) | 14 | EA |
| 10 | 88479 | NUT FOR 88478 CONN | 1 | EA |
| 11 | 88480 | WASHER FOR 88478 CONN | 1 | EA |

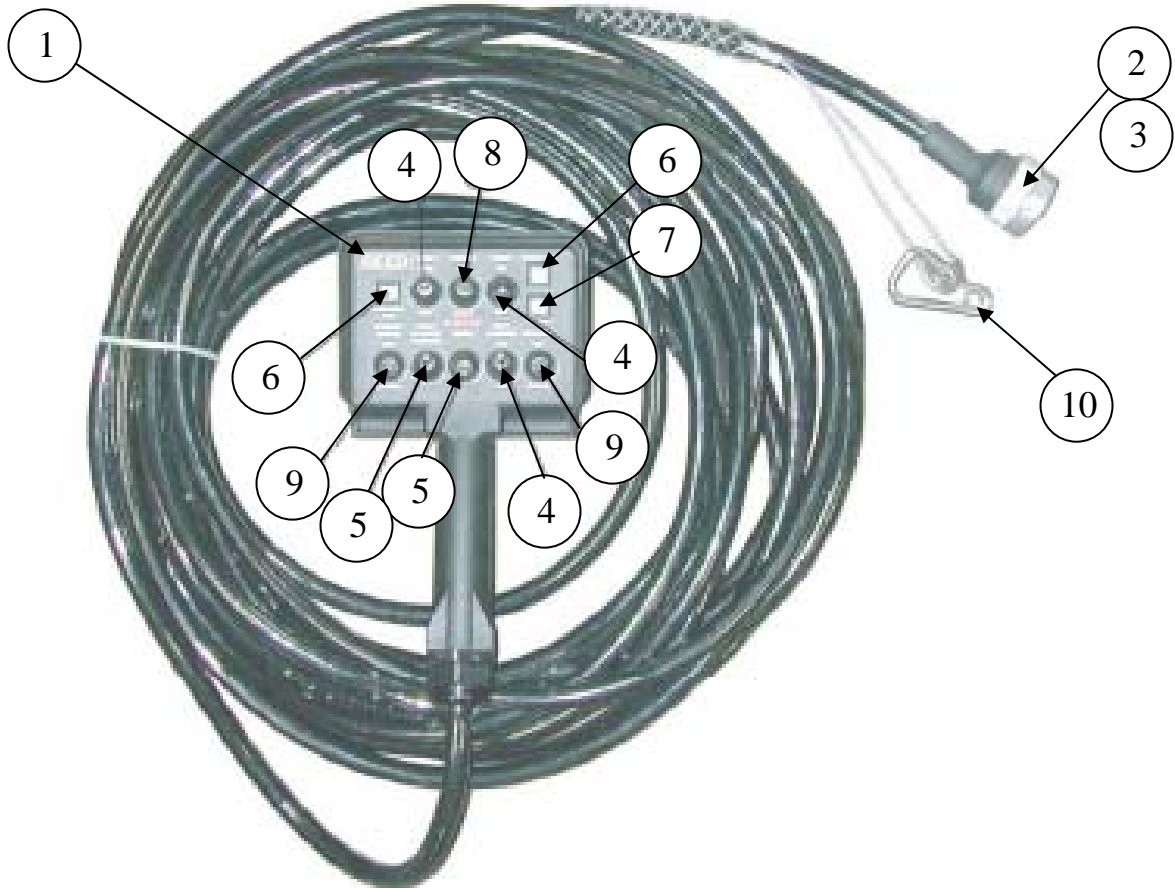


B70HPDV08

PARTS

13822 Oaks Avenue
Chino, CA 91710
reedpumps.com

CONTROLS 50 FT CABLE REMOTE



| ID # | PART # | PART DESCRIPTION | QUANTITY | |
|------|---------|---|----------|----|
| 1 | 87347-1 | REMOTE CONTROL, 87346 REV-D & UP | 1 | EA |
| 2 | 87915 | CONNECTOR, 87347-1 CABLE REMOTE | 1 | EA |
| 3 | BW10147 | PINS (FEMALE) | 14 | EA |
| 4 | BW10207 | SW,TOGGLE, (ON-OFF) PUMP ON/OFF & FWD/REV FAST CHANGE | 3 | EA |
| 5 | BW10206 | SW,TOGGLE,(ON-OFF) HORN & STROKE CHANGE | 2 | EA |
| 6 | 88170 | LED, CONTROL ON (GREEN) | 2 | EA |
| 7 | 88171 | LED, CONTROL ON (RED) | 1 | EA |
| 8 | BW10223 | SW, POWER ON/ OFF | 1 | EA |
| 9 | BW10205 | SW,TOGGLE,(ON-OFF-ON) RPM+/- & VOLUME+/- | 2 | EA |
| 10 | 87875 | SPRING SNAP | 1 | EA |
| REF | BW10361 | SW, SEALING BOOT | 8 | EA |

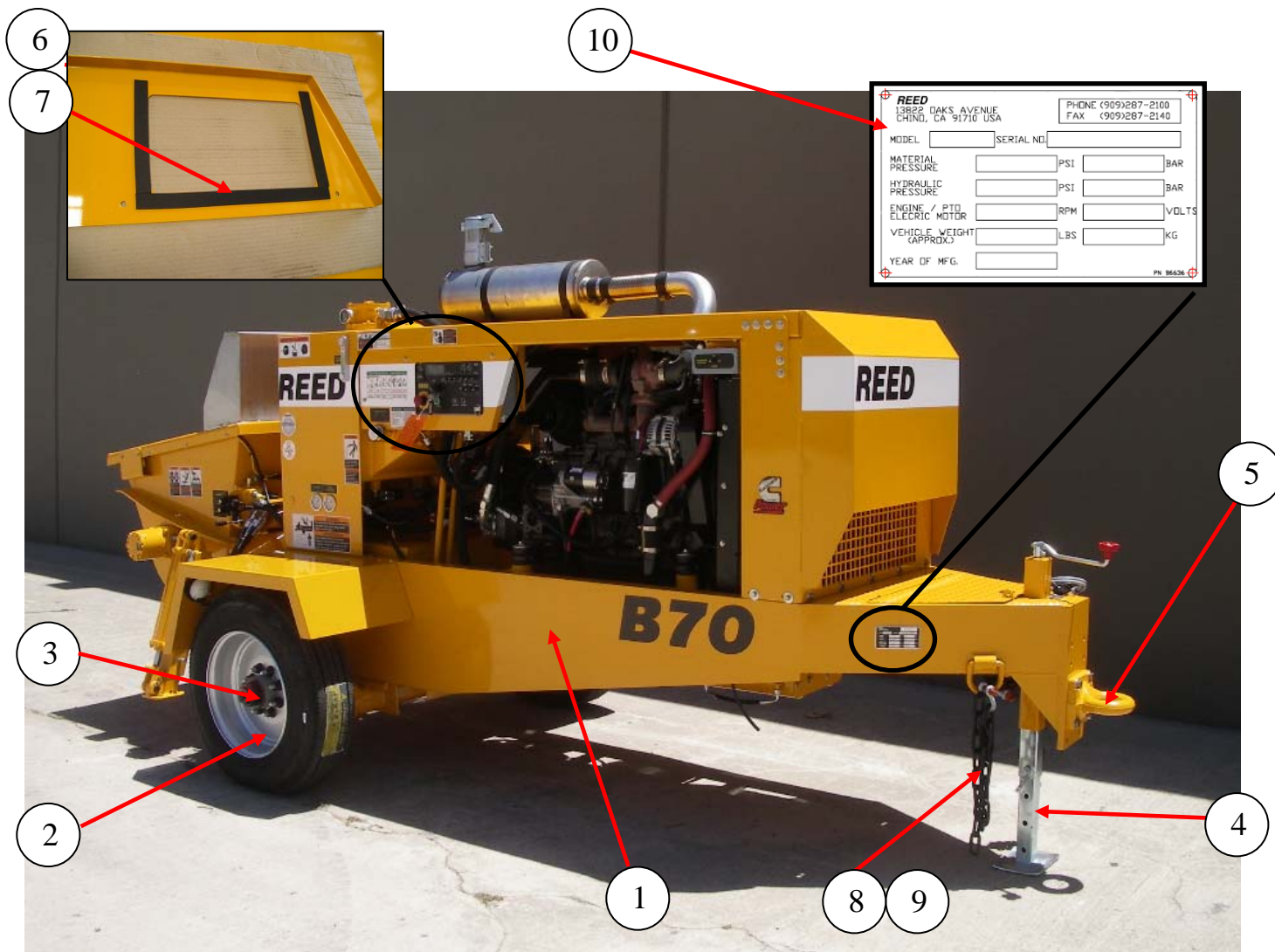


B70HPDV08

PARTS

13822 Oaks Avenue
Chino, CA 91710
reedpumps.com

FRAME INSTALLATION FRAME, TIRES, JACK, AND TOW EYE



| ID # | PART # | PART DESCRIPTION | QUANTITY | |
|------|--------|-------------------------------------|----------|----|
| | 87729 | FRAME ASSY B SER, 2007 W/CUMMINS | 1 | EA |
| 1 | 87728 | FRAME WELDMENT B SER 2007 CUMMINS | 1 | EA |
| 2 | 86923 | TIRE & WHEEL ASSY -215/75R17.5 H | 2 | EA |
| 3 | 88033 | OIL CAP KIT(QUALITY) | 2 | EA |
| 4 | 85527 | JACK WELDMENT | 1 | EA |
| 5 | 87037 | DRAW BAR | 1 | EA |
| 6 | 87449 | COVER CONTROL BOX, PAINTED | 1 | EA |
| 7 | 13257 | WEATHERSTRIP, RUBBER, 5/32 X 1 | 30 | IN |
| 8 | 86730 | CHAIN-3/8 PROOF COIL GR 70 PHOSPATE | 5.5 | FT |
| 9 | 87085 | SHACKLE ANCHOR, SCREW PIN, 1/2 6600 | 4 | EA |
| 10 | 86636 | SERIAL NUMBER PLATE (BLANK) | 1 | EA |

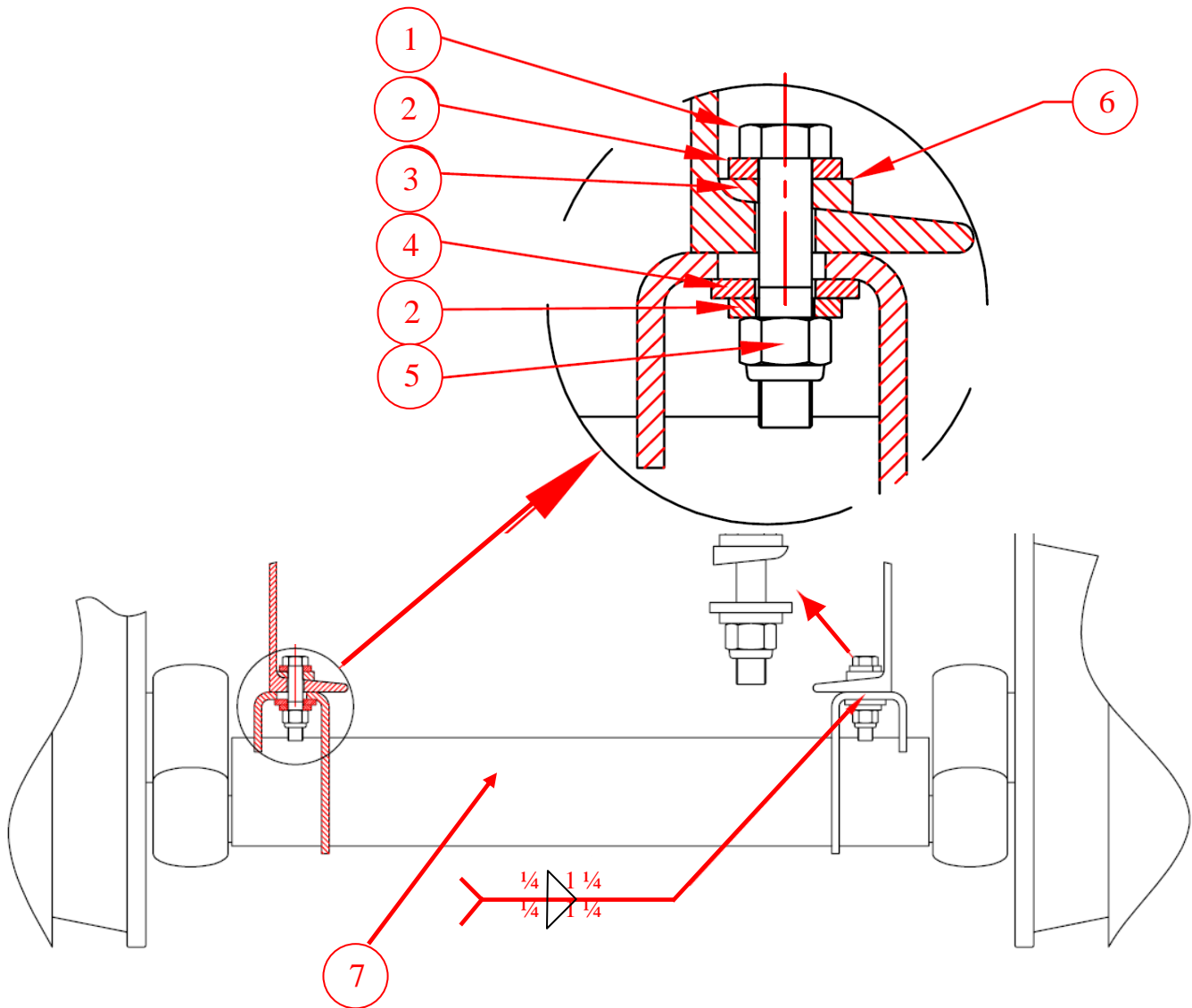


B70HPDV08

PARTS

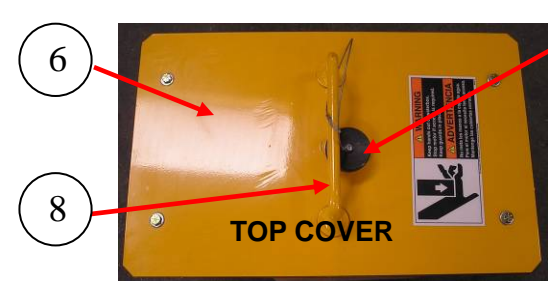
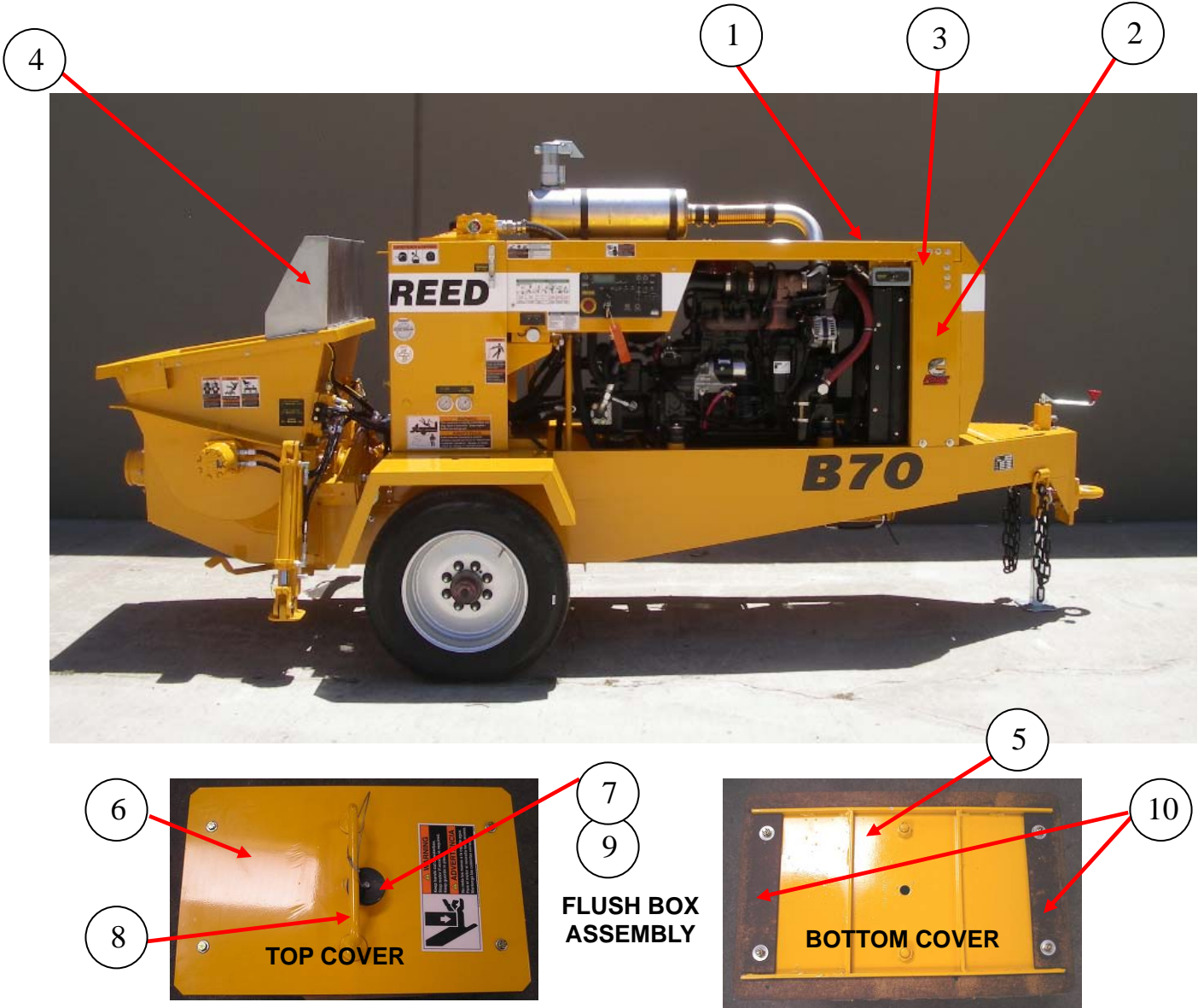
13822 Oaks Avenue
Chino, CA 91710
reedpumps.com

9000LB AXLE MOUNTING ASSEMBLY



| ID # | PART # | PART DESCRIPTION | QUANTITY | |
|------|--------|----------------------------|----------|----|
| | 87542 | AXLE MOUNTING HARDWARE KIT | 1 | EA |
| 1 | | 1/2" -20 X 2.5 HHCS GR8 | 4 | EA |
| 2 | | 1/2" SAE WASHER | 8 | EA |
| 3 | | 1/2" USE WASHER | 4 | EA |
| 4 | | 1/2" SAE WASHER | 4 | EA |
| 5 | | 1/2" - 20 LOCK NUT | 4 | EA |
| 6 | | 1/2" BEVELED WASHER | 4 | EA |
| 7 | 86924 | AXLE, TORSION, 9000 LB | 1 | EA |

HOOD AND COVERS

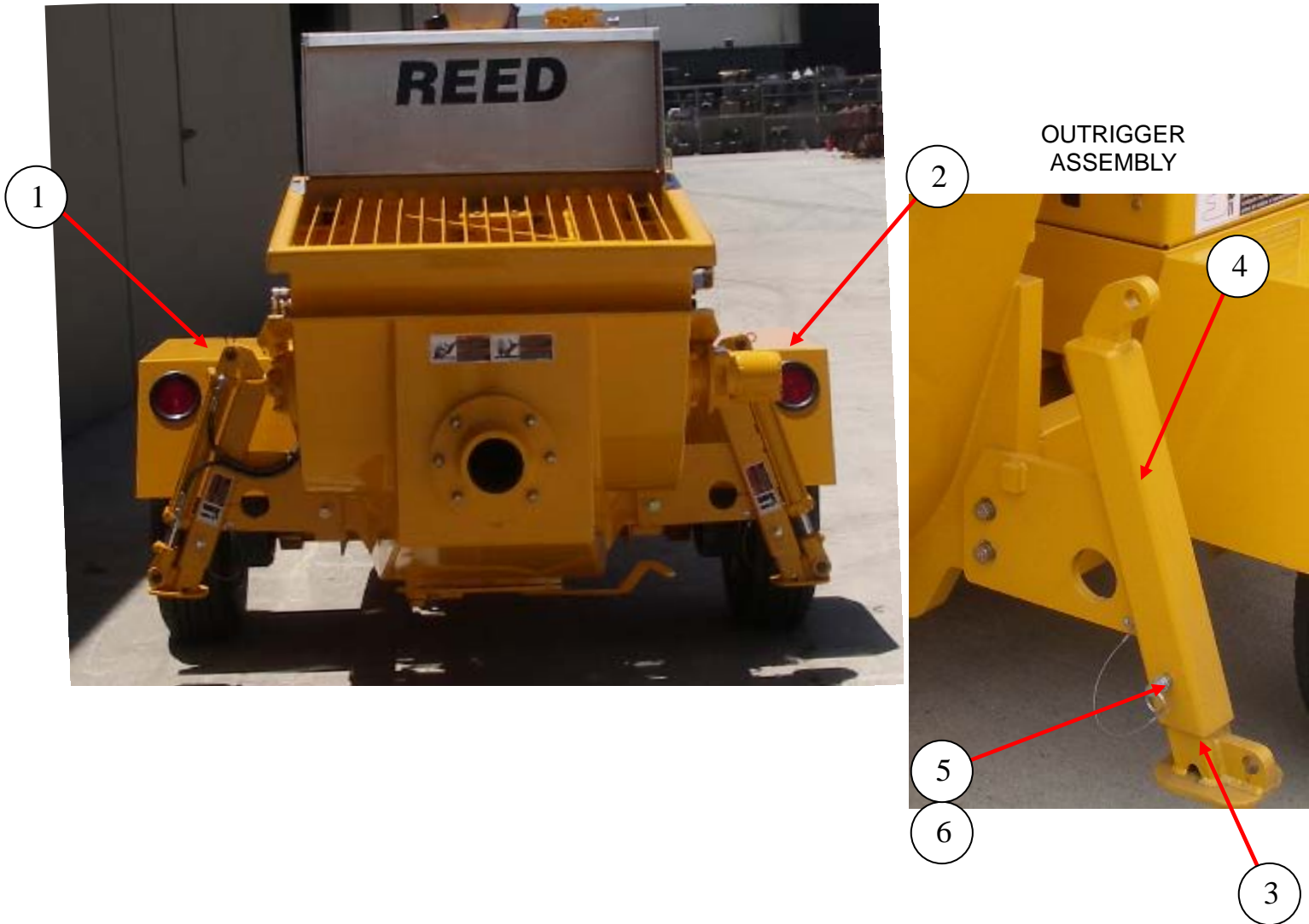


FLUSH BOX ASSEMBLY



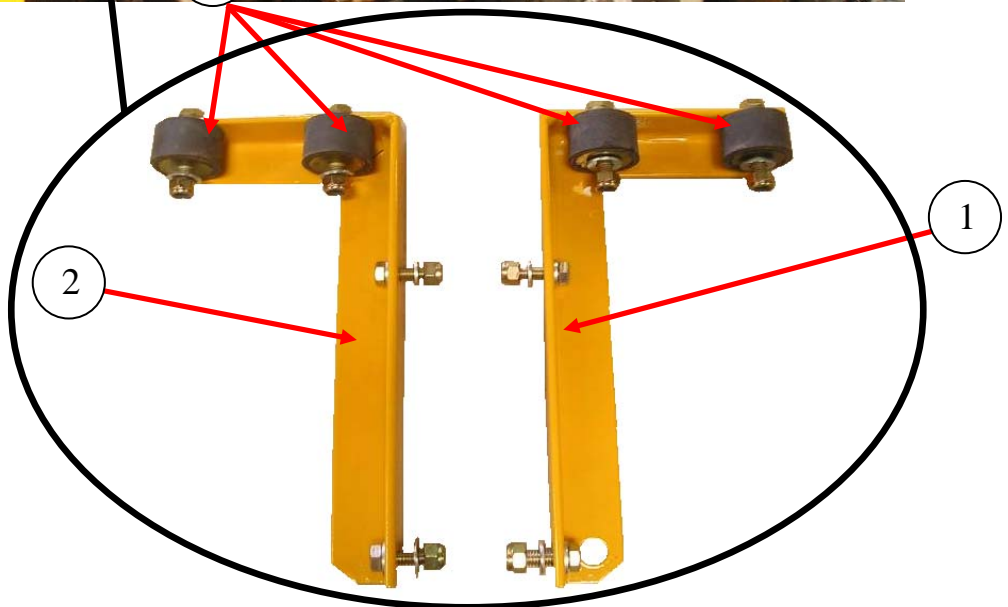
| ID # | PART # | PART DESCRIPTION | QUANTITY | |
|------|--------|-------------------------------------|----------|----|
| 1 | 87737 | COVER TOP, B SER CUMMINS PAINTED | 1 | EA |
| 2 | 87681 | COVER FRONT WELD, B SER CUM PAINTED | 1 | EA |
| 3 | 87647 | GUSSET ENGINE COVER PAINTED | 2 | EA |
| 4 | 86084 | SPLASH GUARD, B & C SERIES | 1 | EA |
| 5 | 86106 | COVER ASSY, FLUSH BOX | 1 | EA |
| 6 | 86010 | COVER WELDMENT, FLUSH BOX | 1 | EA |
| 7 | 86105 | KNOB | 1 | EA |
| 8 | 79056 | HANDLE | 1 | EA |
| 9 | 800418 | LANYARD, Q/R PIN | 1 | EA |
| 10 | 87755 | GASKET, FOR FLUSH BOX LID | 1 | EA |

FENDERS AND OUTRIGGERS



| ID # | PART # | PART DESCRIPTION | QUANTITY | |
|------|--------|----------------------------------|----------|----|
| 1 | 86959 | FENDER, RH, B SERIES PAINTED | 1 | EA |
| 2 | 86960 | FENDER, LH, B SERIES PAINTED | 1 | EA |
| 3 | 86553 | OUTRIGGER WELDMNT, INNER-PAINTED | 2 | EA |
| 4 | 86557 | OUTERTUBE, O/R B & C - PAINTED | 2 | EA |
| 5 | 85595 | PIN, Q/R, 5/8 DIA X 3 1/2 L | 2 | EA |
| 6 | 800418 | LANYARD, Q/R PIN | 2 | EA |

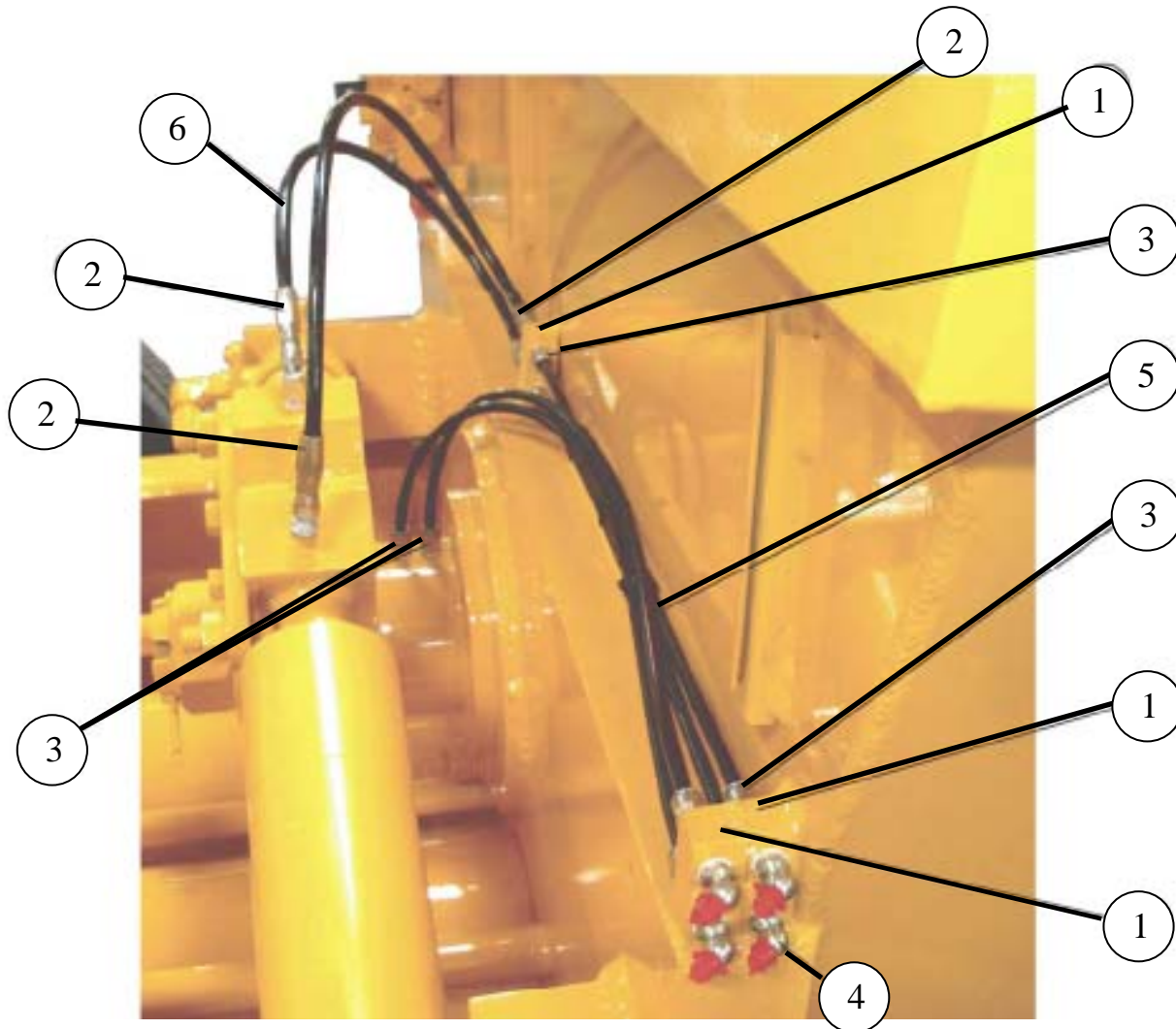
CONTROL BOX MOUNT



| ID # | PART # | PART DESCRIPTION | QUANTITY | |
|------|--------|----------------------------|----------|----|
| 1 | 87397 | ANGLE CONTROL BOX MOUNT RH | 1 | EA |
| 2 | 87398 | ANGLE CONTROL BOX MOUNT LH | 1 | EA |
| 3 | 73748 | BUMPER | 4 | EA |
| 4 | 800347 | HORN, 12V | 1 | EA |

OPTIONS

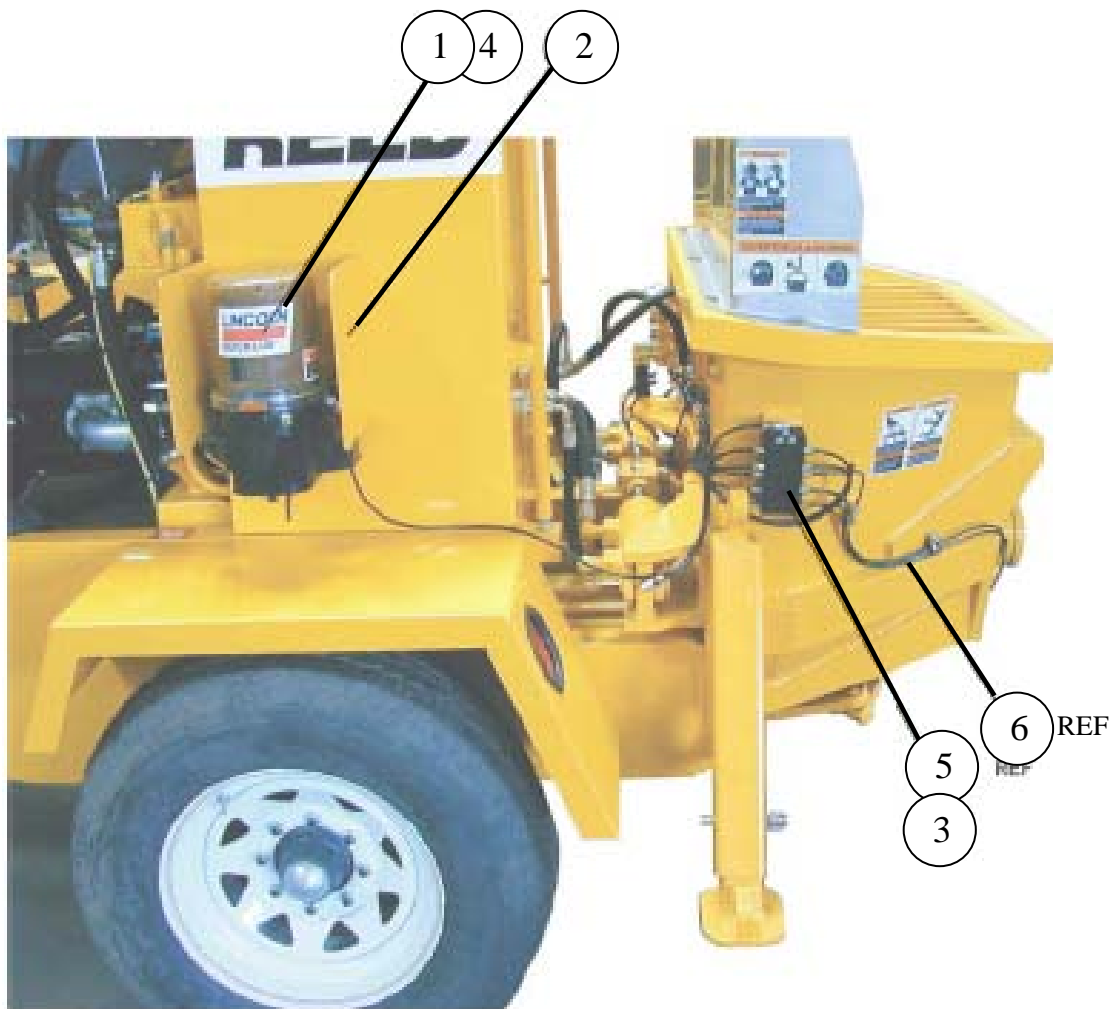
LUBE BLOCK



| ID # | PART # | PART DESCRIPTION | QUANTITY | |
|------|--------|----------------------------------|----------|----|
| | 87539 | ASSEMBLY, CENTRALIZED LUBE BLOCK | 1 | EA |
| 1 | 87437 | BLOCK | 3 | EA |
| 2 | 87628 | HOSE, COUPLING | 4 | EA |
| 3 | 87629 | FITTING, HOSE | 8 | EA |
| 4 | | FITTING, GREASE | 4 | EA |
| 5 | | HOSE, PLASTIC- 1/4 " O.D. TUBING | A/R | |
| 6 | | HOSE, PLASTIC 5/16" O.D. TUBING | A/R | |

OPTIONS

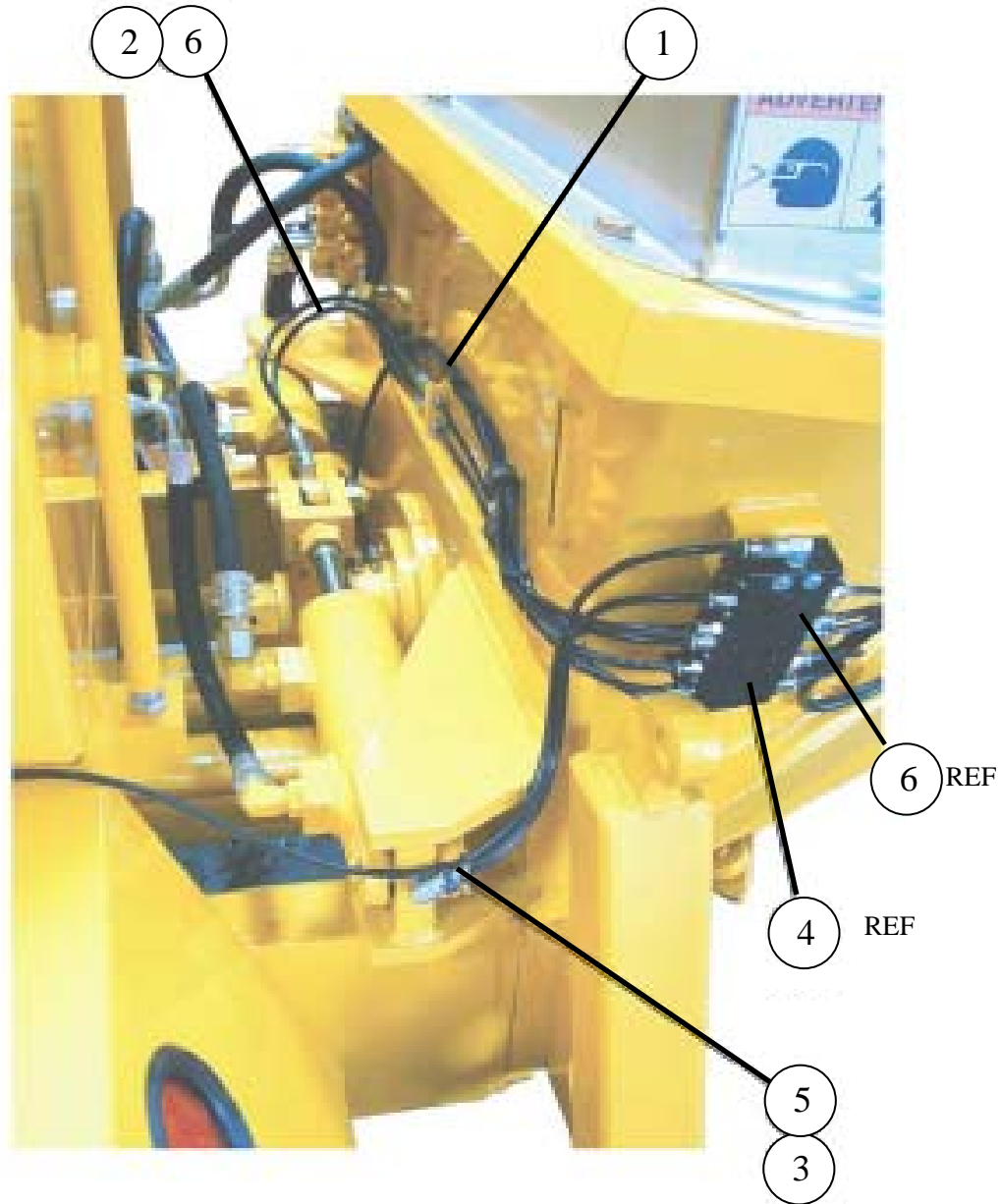
AUTOLUBE PUMP (PLASTIC TUBING)



| ID # | PART # | PART DESCRIPTION | QUANTITY | |
|------|--------|--------------------------------------|----------|----|
| | 87476 | ASSEMBLY, AUTO LUBE 12V PLASTIC TUBE | 1 | EA |
| 1 | 87193 | LUBE PUMP ASSY (PLACTIC TUBING) | 1 | EA |
| 2 | 87257 | GUARD | 1 | EA |
| 3 | 87475 | BRACKET, LUBE BLOCK MOUNT | 1 | EA |
| 4 | | VALVE, PRESSURE RELIEF | 1 | EA |
| 5 | | BLOCK, DIVIDER VALVE -18 OUTLET | 1 | EA |
| 6 | | HOSE, PLASTIC- ¼" O.D. | A/R | |

OPTIONS

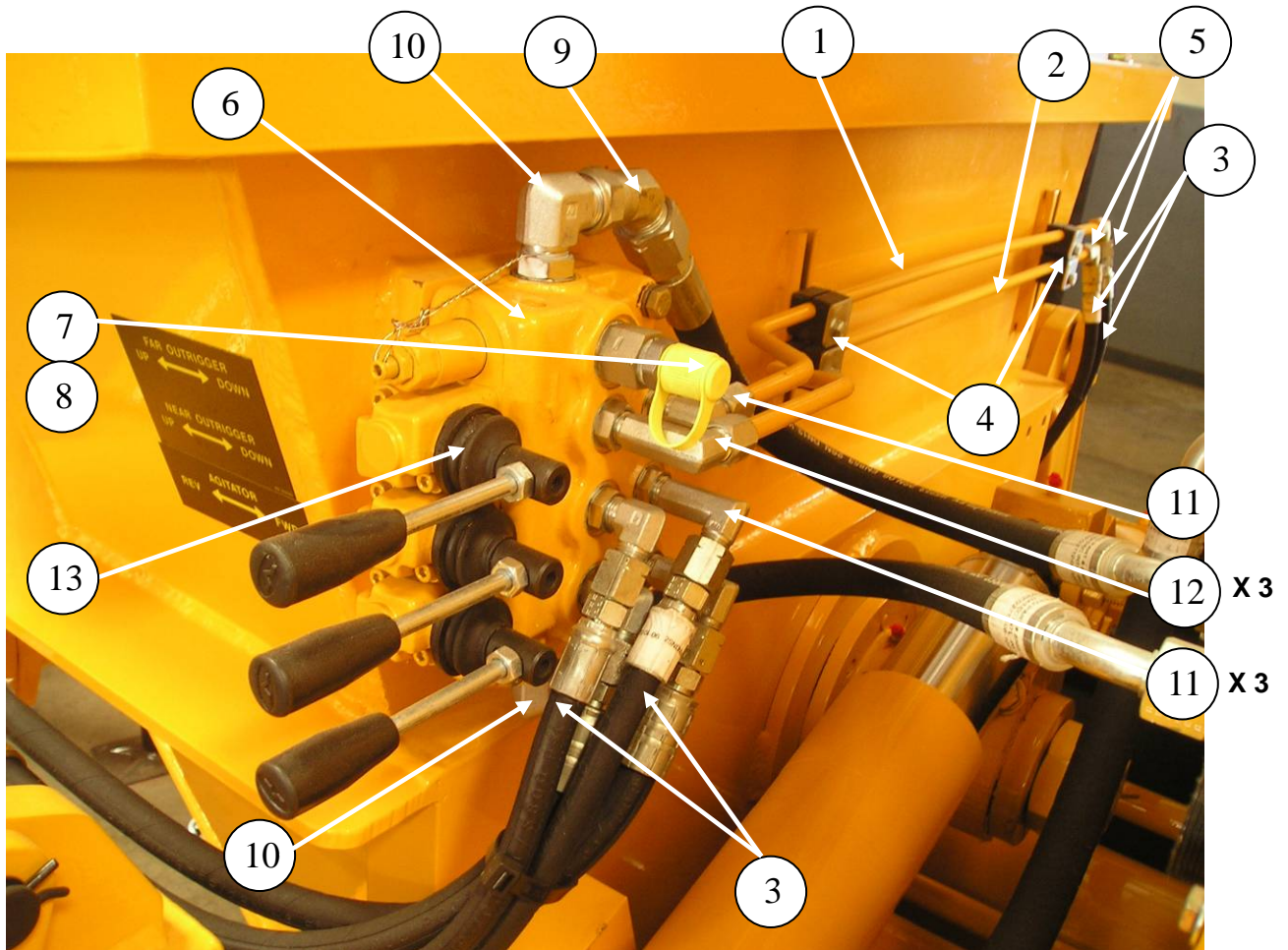
AUTOLUBE PUMP (PLASTIC TUBING) CONTINUED



| ID # | PART # | PART DESCRIPTION | QUANTITY | |
|------|--------|---------------------------------|----------|----|
| 1 | 87437 | BLOCK | 1 | EA |
| 2 | 87628 | HOSE COUPLING | 4 | EA |
| 3 | 87629 | FITTING, HOSE | 22 | EA |
| 4 | | BLOCK, DIVIDER VALVE -18 OUTLET | REF | EA |
| 5 | | HOSE, PLASTIC- 1/4" O.D. | A/R | |
| 6 | | HOSE, PLASTIC-5/16" O.D. | A/R | |

OPTIONS

HYDRAULIC OUTRIGGER GROUP

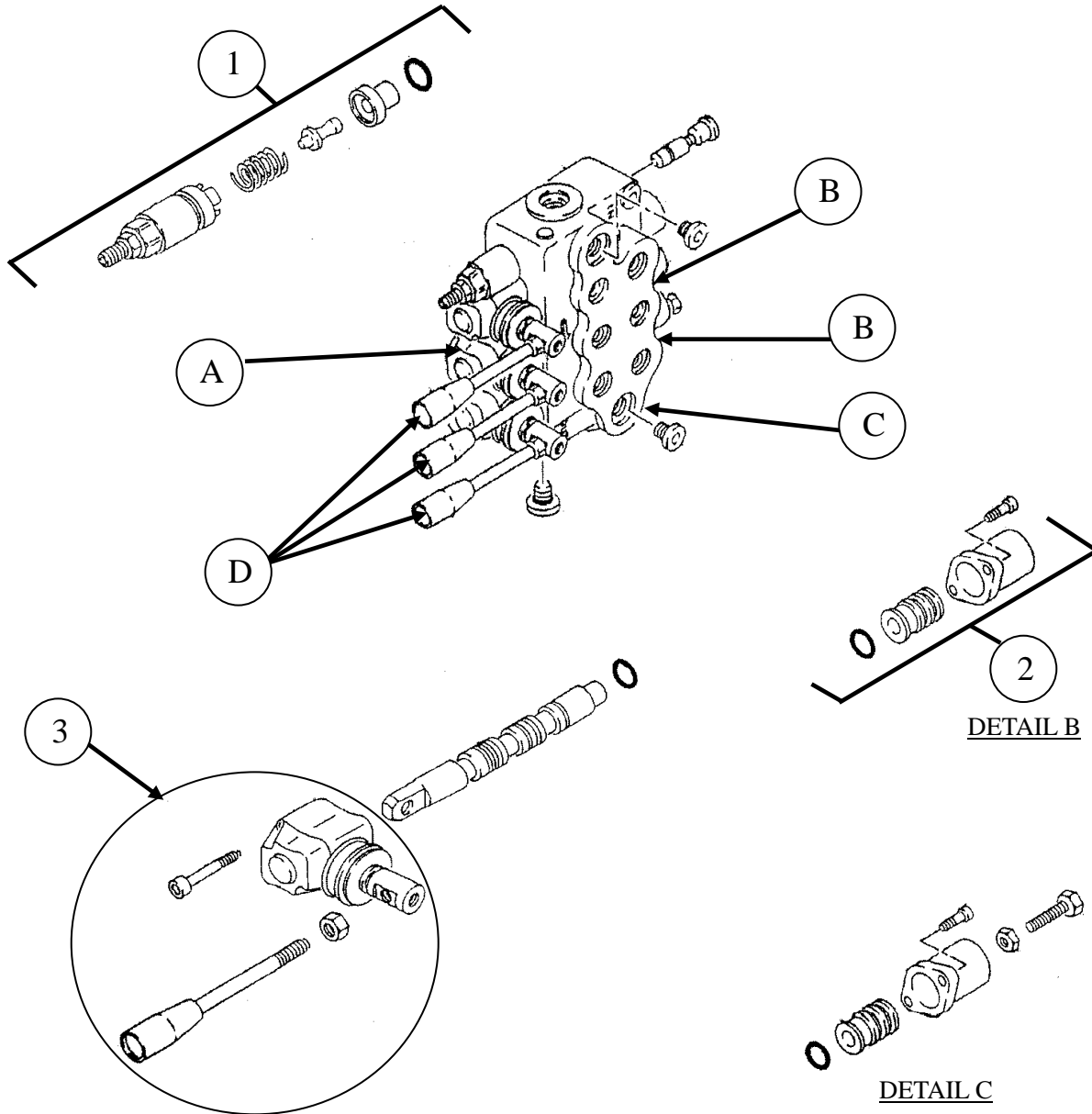


| ID # | PART # | PART DESCRIPTION | QUANTITY | |
|------|------------|--------------------------------|----------|----|
| | 86334 | HYD OUTRIGGER GROUP | REF | |
| 1 | 85685 | TUBE, HYD, OUTRIGGER - PAINTED | 1 | EA |
| 2 | 85686 | TUBE, HYD, OUTRIGGER - PAINTED | 1 | EA |
| 3 | 85659-010 | HOSE, 4M2T-6FJX-6FJX-33.00 | 4 | EA |
| 4 | 801902-020 | TUBE CLAMP – 3/8 IN – HALF | 4 | EA |
| 5 | | MJ-MJ90-6-6 | 2 | EA |
| 6 | 74471 | VALVE, MAUNAL-3 SPOOL | 1 | EA |
| 7 | 800083 | FITTING, MINI CHECK (PORT) | 1 | EA |
| 8 | 86750 | ADAPTER, MB-FB-8-6 | 1 | EA |
| 9 | 86749 | FITTING, MJ-FJX45-10-10 | 1 | EA |
| 10 | 86746 | FITTING, 90° MB-MJ-90-8-10 | 2 | EA |
| 11 | 86748 | FITTING, 90° MB-MJ90-6-6 | 3 | EA |
| 12 | 86747 | FITTING, 90° MB-MJ90LL-6-6 | 3 | EA |
| 13 | 74471-B | BOOT, COVER | 3 | EA |

OPTIONS

3 SPOOL CONTROL VALVE

DETAIL A



| ID # | PART # | PART DESCRIPTION | QUANTITY | |
|------|-----------|---|----------|----|
| 1 | 85706 | RELIEF, CARTRIDGE | 1 | EA |
| 2 | 74469 | DETENT KIT, #11 WALVOIL VALVE | A/R | EA |
| 3 | 74471-020 | VALVE ACTUATOR FOR 74471, 74585, 74584 VALVES | A/R | EA |

OPTIONS

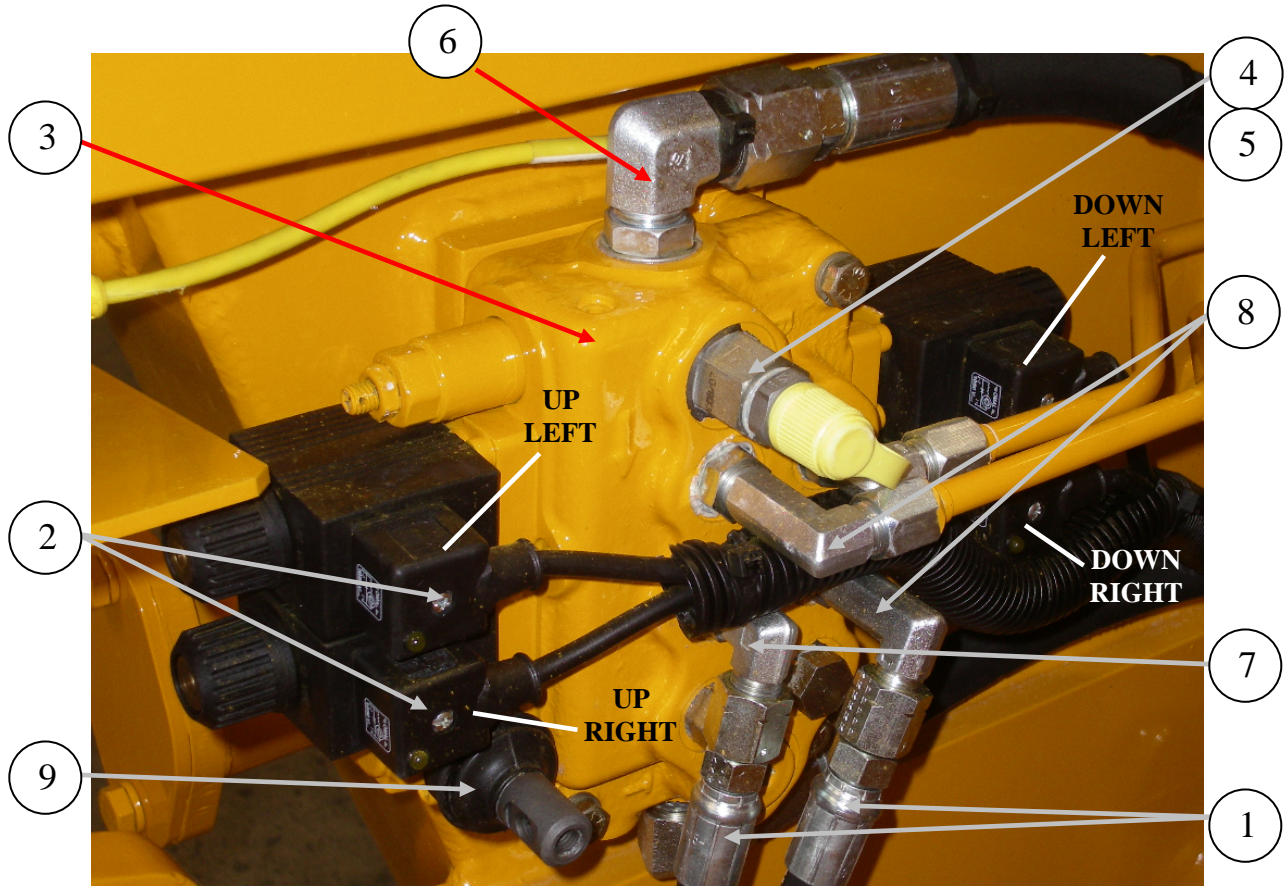
HYDRAULIC OUTRIGGER GROUP



| ID # | PART # | PART DESCRIPTION | QUANTITY | |
|------|-----------|---|----------|----|
| 1 | 86574 | HYD CYL – 2.00 BORE X 12.00 STR – PAINTED | 2 | EA |
| 2 | 85659-010 | HOSE, 4M2T-6FJX-6FJX-33.00 | REF | EA |
| 3 | 86728-008 | FITTING, 90° MB-MJ90-8-6 | 4 | EA |

OPTIONS

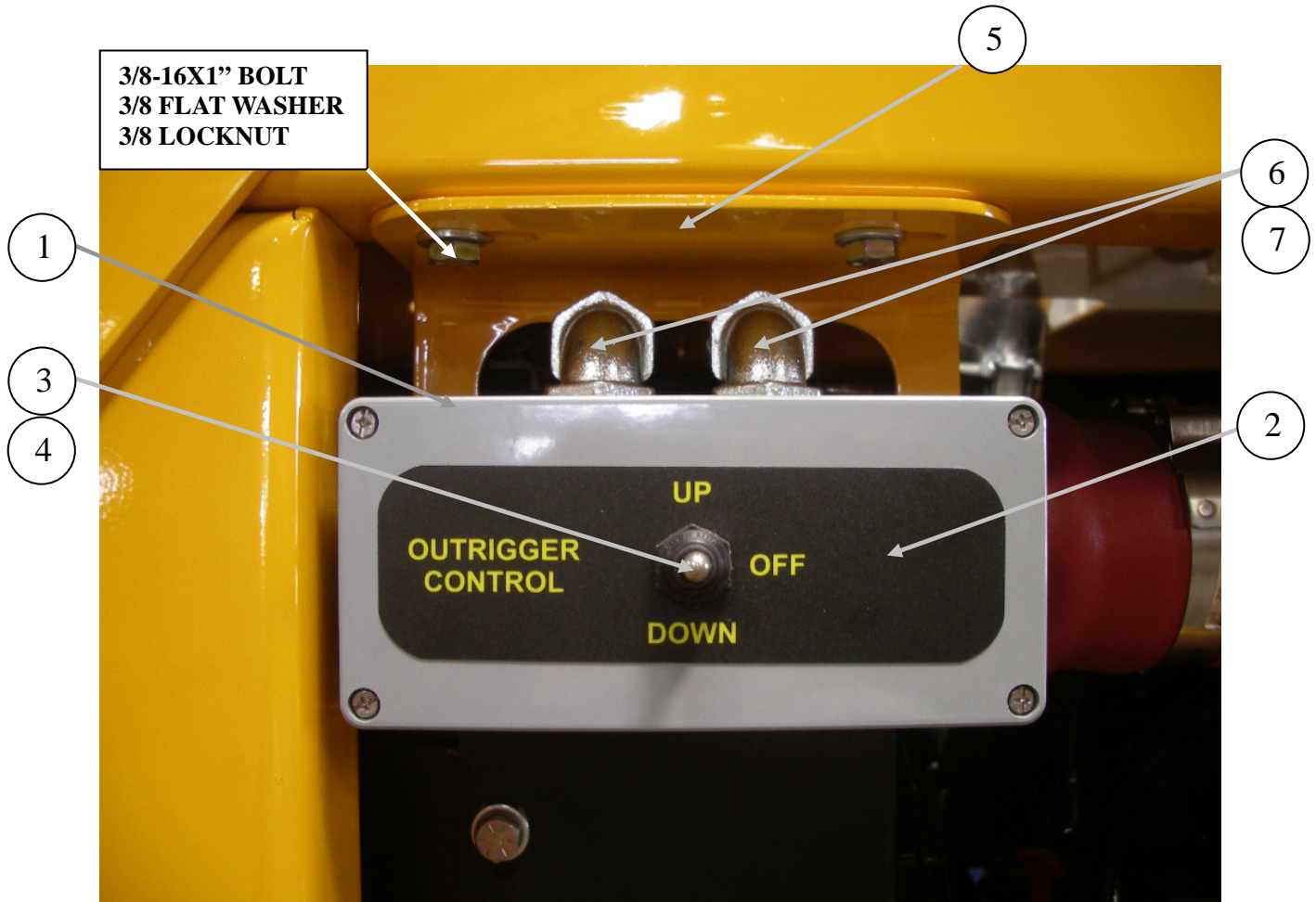
ELECTRIC HYDRAULIC OUTRIGGER



| ID # | PART # | PART DESCRIPTION | QUANTITY | |
|------|-----------|-------------------------------------|----------|----|
| | 88041-O | HYD OUTRIGGER ASSEMBLY, REMOTE | REF | EA |
| 1 | 85659-010 | HOSE, 4M2T-6FX-6JX-33.00 | 2 | EA |
| 2 | 87540 | CABLE SOLENIOD VALVE, WITH DIN PLUG | 4 | EA |
| 3 | 88026 | VALVE, 3SPOOL, 2EA. VDC SPOOL | 1 | EA |
| 4 | 800083 | FITTING, MINI CHECK (PORT) | 1 | EA |
| 5 | 86750 | ADAPTER, MB-FB-8-6 | 1 | EA |
| 6 | 86749 | FITTING, MJ-FJX45-10-10 | 1 | EA |
| 7 | 86748 | FITTING, 90° MB-MJ90-6-6 | 3 | EA |
| 8 | 86747 | FITTING.90° MB-MJ90LL-6-6 | 3 | EA |
| 9 | 74471-B | BOOT, COVER | 3 | EA |

OPTIONS

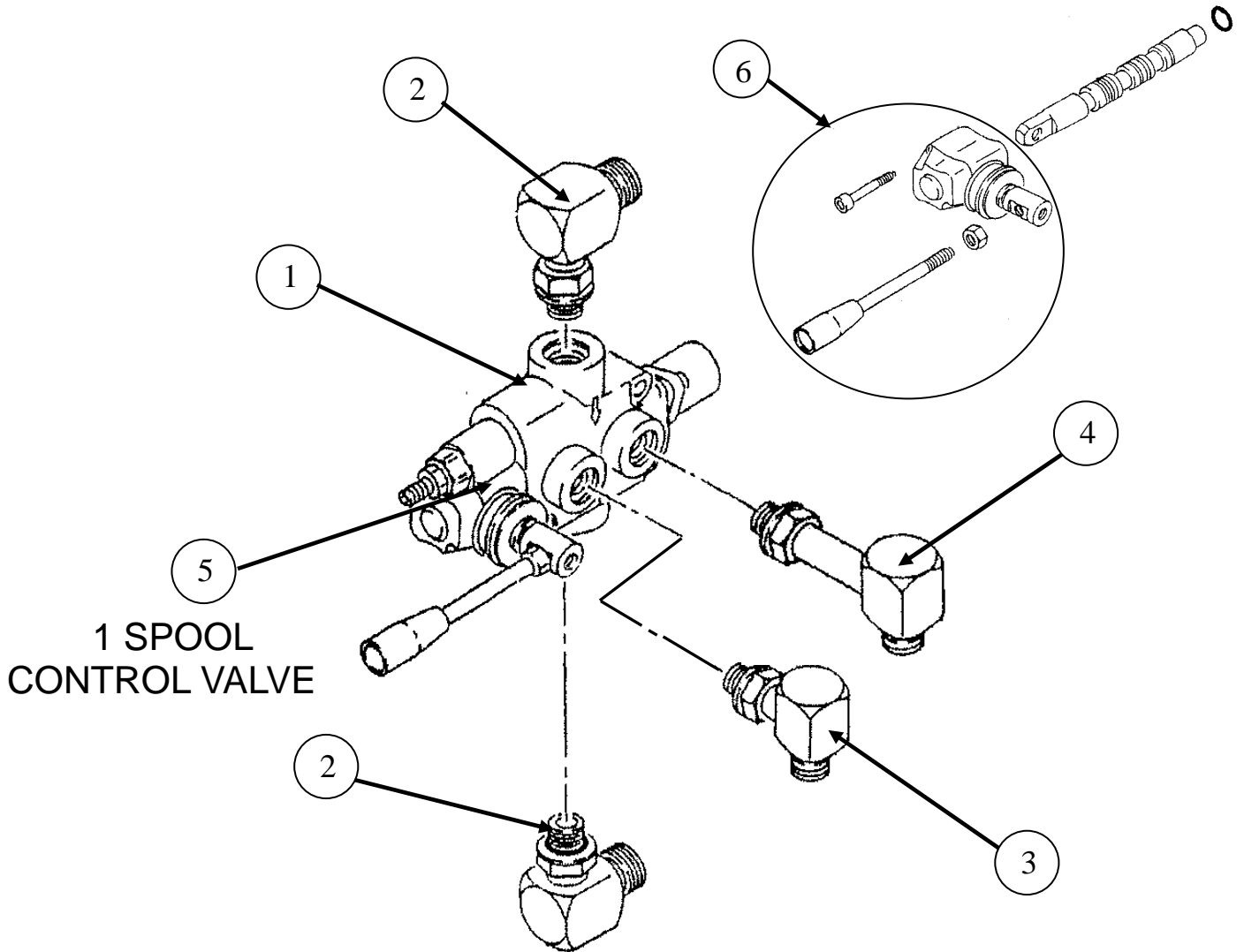
ELECTRIC HYDRAULIC OUTRIGGER CONTROLS



| ID # | PART # | PART DESCRIPTION | QUANTITY | |
|------|---------|---------------------------------|----------|----|
| 1 | 801206 | ENCLOSURE 6X3X3, FIBERGLASS | 2 | EA |
| 2 | 88163 | DECAL OUTRIGGER UP/DOWN | 2 | EA |
| 3 | BW10205 | SWITCH, 3 POSITION MOM/SPDT | 2 | EA |
| 4 | BW10361 | SW, SEALING BOOT | 2 | EA |
| 5 | 88164-A | BRACKET OUTRIGGER CONTROL MOUNT | 2 | EA |
| 6 | 73531 | 90° STRAIN RELIEF | 4 | EA |
| 7 | 10528 | NUT ½", BONDING TYPE LOCK | 4 | EA |

OPTIONS

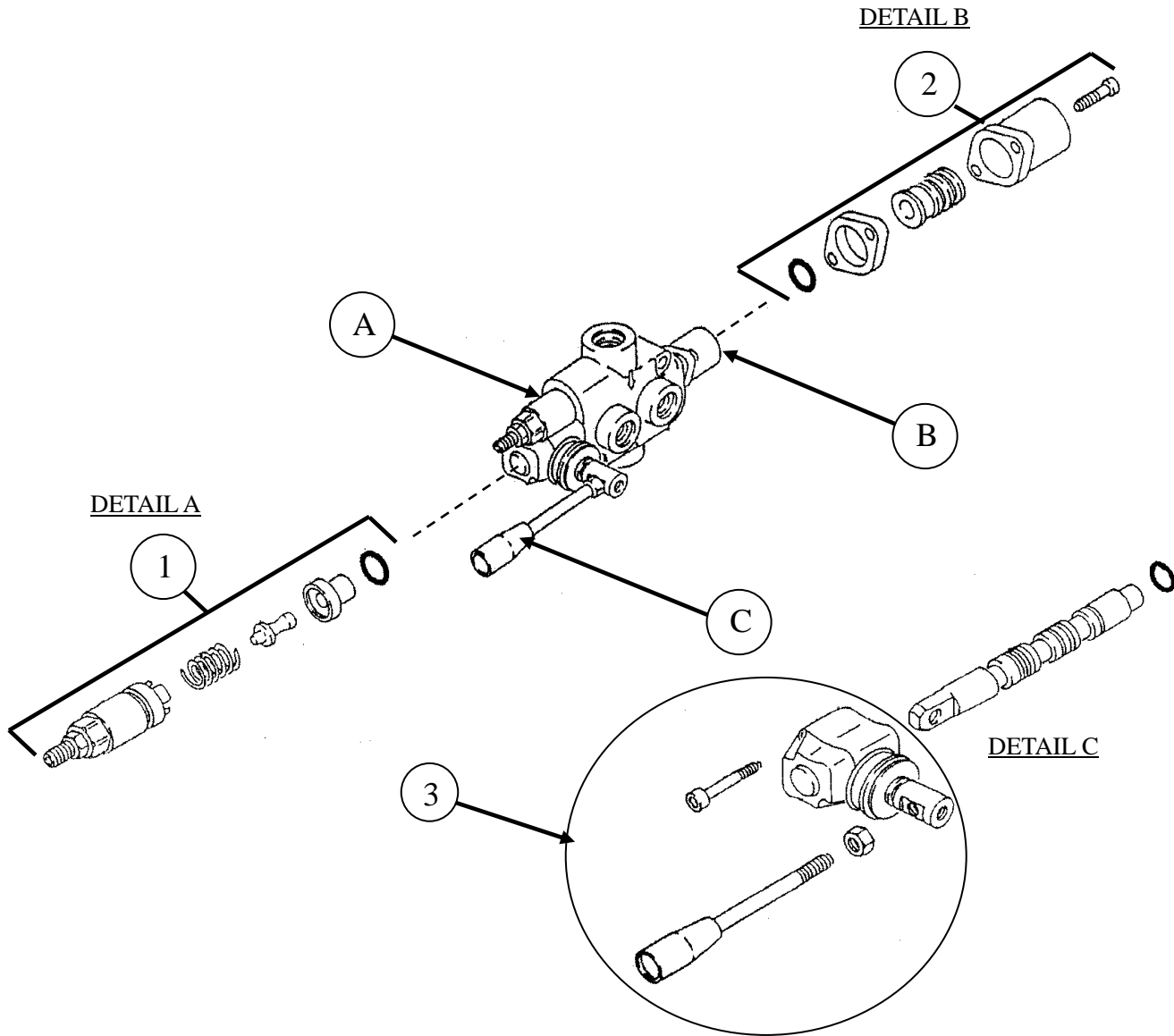
AGITATOR GROUP



| ID # | PART # | PART DESCRIPTION | QUANTITY | |
|------|-----------|---|----------|----|
| 1 | 74584 | VALVE, MAUNAL-1 SPOOL | 1 | EA |
| 2 | 86746 | FITTING, 90° MB-MJ-90-8-10 | 2 | EA |
| 3 | 86748 | FITTING, 90° MB-MJ90-6-6 | 1 | EA |
| 4 | 86747 | FITTING, 90° MB-MJ90LL-6-6 | 3 | EA |
| 5 | 74471-B | BOOT, COVER | 1 | EA |
| 6 | 74471-020 | VALVE ACTUATOR FOR 74471, 74585, 74584 VALVES | A/R | EA |

OPTIONS

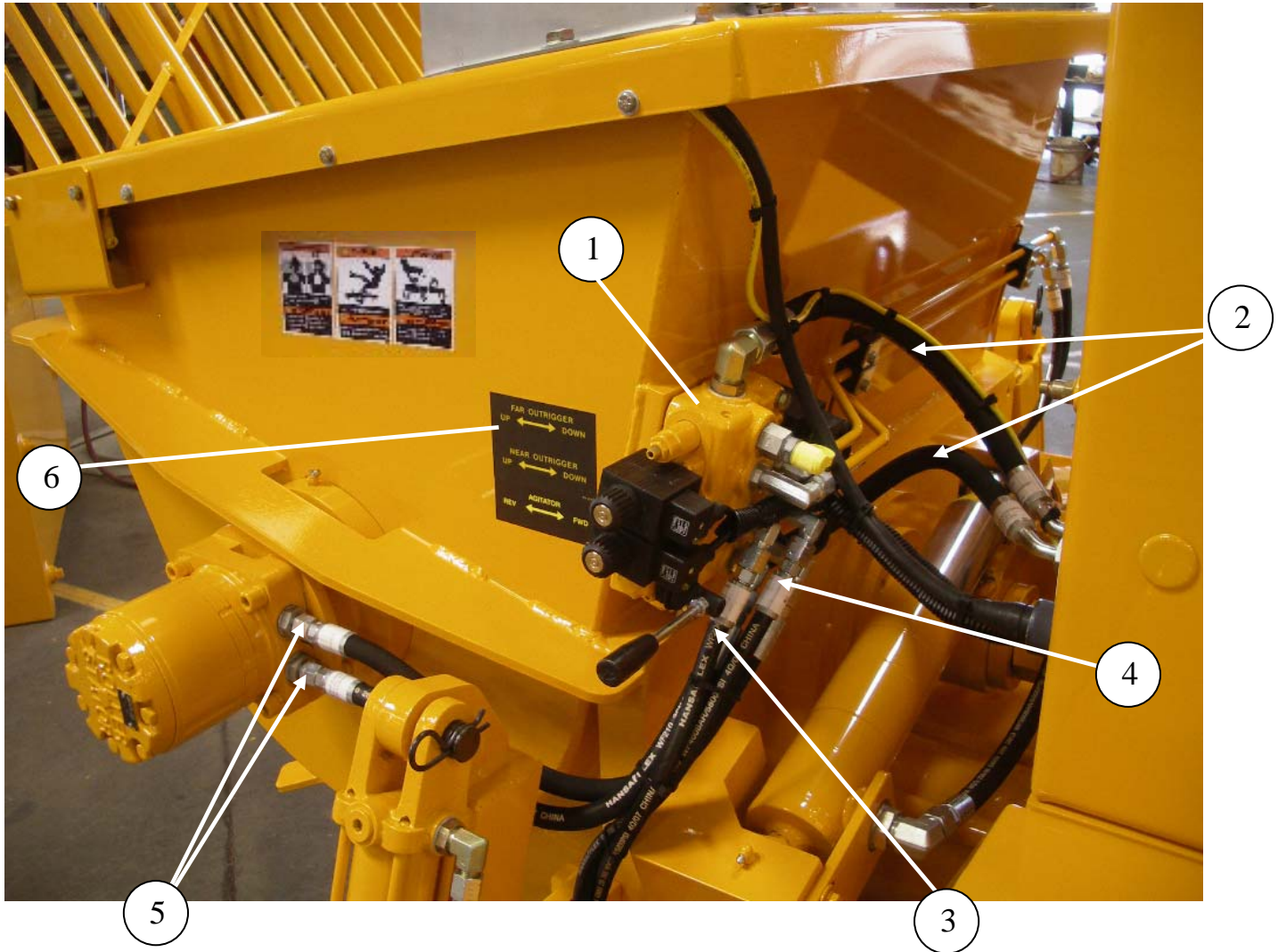
1 SPOOL AGITATOR VALVE



| ID # | PART # | PART DESCRIPTION | QUANTITY | |
|------|-----------|---|----------|----|
| 1 | 85706 | RELIEF, CARTRIDGE | 1 | EA |
| 2 | 74469 | DETENT KIT, #11 WALVOIL VALVE | A/R | EA |
| 3 | 74471-020 | VALVE ACTUATOR FOR 74471, 74585, 74584 VALVES | A/R | EA |

OPTIONS

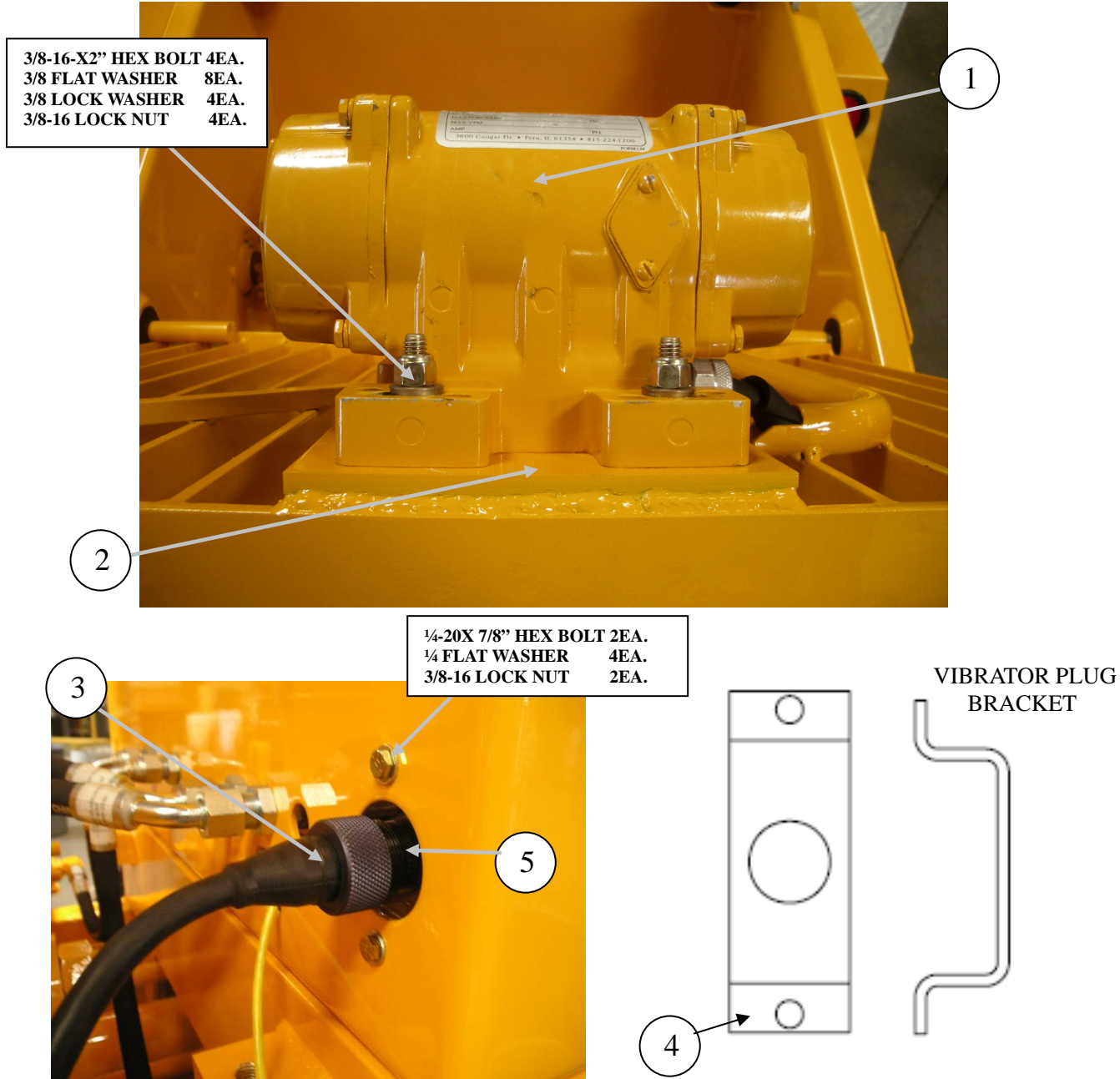
AGITATOR GROUP CONTINUED



| ID # | PART # | PART DESCRIPTION | QUANTITY | |
|------|-----------|---|----------|----|
| 1 | 88026 | VALVE, ELECTRIC-3 SPOOL VDC (OPTION SHOWN) | REF | EA |
| 2 | 85657-016 | HOSE, 8M2T-10FJX-10FJX45-20.00 | 2 | EA |
| 3 | 85658-011 | HOSE, 6M2T-6FJX-6FJX-21.00 | 1 | EA |
| 4 | 85658-010 | HOSE, 6M2T-6FJX-6FJX-20.00 | 1 | EA |
| 5 | | FITTING,MB-MJ-10-6 | 2 | EA |
| 6 | 85845 | DECAL, OUTRIGGERS | 2 | EA |

OPTIONS

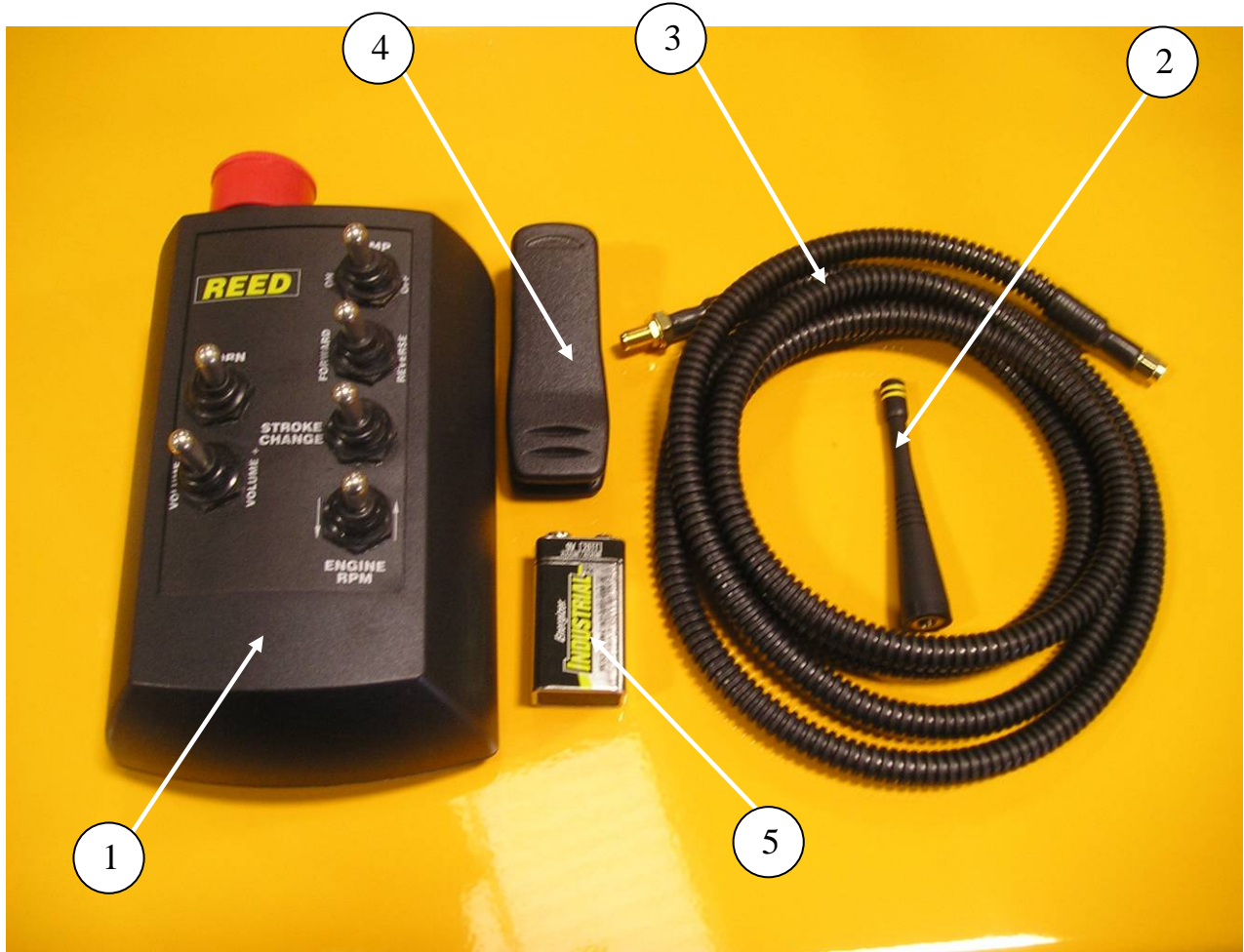
COUGAR VIBRATOR



| ID # | PART # | PART DESCRIPTION | QUANTITY | |
|------|---------|---------------------------------|----------|----|
| 1 | 71429 | VIBRATOR, 12VDC ROTARY (COUGAR) | 1 | EA |
| 2 | 85893 | BRACKET, VIBRATOR | 1 | EA |
| 3 | 85898-1 | CORD W/PLUG, MALE 14AWG X 8 FT | 1 | EA |
| 4 | 87472 | BRACKET, VIBRATOR PLUG MOUNT | 1 | EA |
| 5 | 85899 | VIBRATOR, PLUG | 1 | EA |

OPTIONS

RADIO REMOTE KIT (KAR-TECH)



| ID # | PART # | PART DESCRIPTION | QUANTITY | |
|------|-----------|--------------------------------------|----------|----|
| 1 | 87348-1 | TRANSMITTER, REMOTE CONTROL ASSEMBLY | 1 | EA |
| 2 | BW10285 | ANTENNA | 1 | EA |
| 3 | BW10285-1 | ANTENNA CABLE | 1 | EA |
| 4 | 87348 | CLIP | 1 | EA |
| 5 | | 9V BATTERY | 1 | EA |

OPTIONS

RADIO REMOTE KIT (OMNEX)



NOTE: KIT CONTAINS ALL PARTS SHOWN ABOVE.

| ID # | PART # | PART DESCRIPTION | QUANTITY | |
|------|-----------|-----------------------------|----------|----|
| | 85833-002 | OMNEX RADIO REMOTE KIT | 1 | EA |
| 1 | | RECEIVER R160 | 1 | EA |
| 2 | | TRANSMITTER T110C | 1 | EA |
| 3 | | CABLE ASSEMBLY R160 | 1 | EA |
| 4 | | REMOTE STRAPS | 2 | EA |
| 5 | | NIMH RECHARGEABLE BATTERIES | 4 | EA |
| 6 | | ANTENNA CABLE | 1 | EA |
| 7 | | ANTENNA | 1 | EA |
| 8 | | ANTENNA BRACKET | 1 | EA |
| 9 | | BATTERY CHARGER DOCK | 1 | EA |



B70HPDV08

PARTS

13822 Oaks Avenue
Chino, CA 91710
reedpumps.com

OPTIONS

ALUMINUM WHEEL AND TIRE



| ID # | PART # | PART DESCRIPTION | QUANTITY | |
|------|---------|--------------------------------|----------|----|
| | 86923-1 | TIRE & WHEEL-ALUMINUM ASSEMBLY | 2 | EA |
| 1 | | WHEEL-ALUMINUM | 2 | EA |
| 2 | | TIRE-215/75R17.5H | 2 | EA |



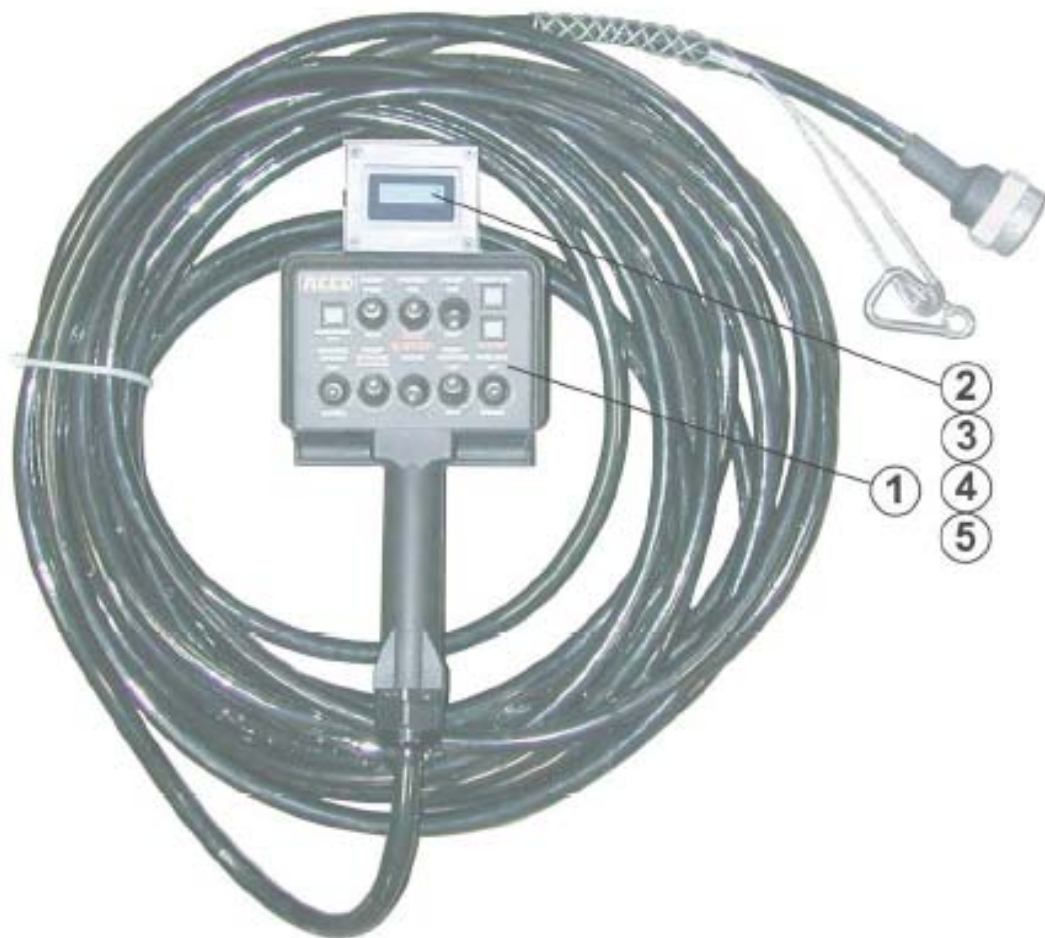
B70HPDV08

PARTS

13822 Oaks Avenue
Chino, CA 91710
reedpumps.com

OPTIONS

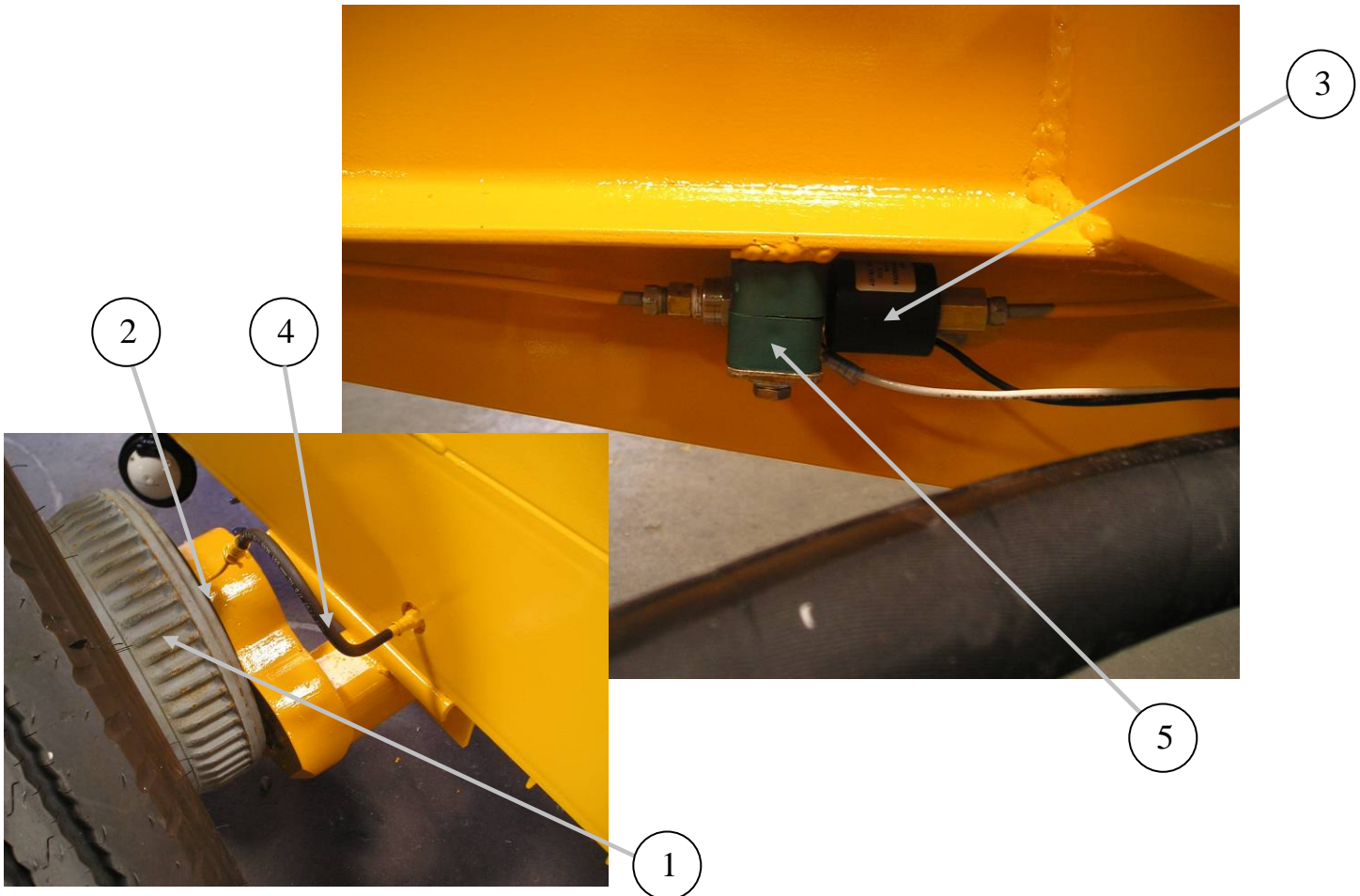
50 FT STROKE COUNTER CABLE REMOTE ASSEMBLY



| ID # | PART # | PART DESCRIPTION | QUANTITY | |
|------|---------|--|----------|----|
| | 87753-1 | ASSEMBLY, 50 FEET CABLE REMOTE WITH STROKE COUNTER | REF | |
| 1 | 87347-1 | CONTROL, REMOTE CABLE (50 FT) | 1 | EA |
| 2 | 72330 | COUNTER, STROKE | 1 | EA |
| 3 | 74388 | DIODE | 2 | EA |
| 4 | 87784 | BOX, MACHINED | 1 | EA |
| 5 | 87785 | COVER, BOX | 1 | EA |

OPTIONS

HYDRAULIC SURGE BRAKES



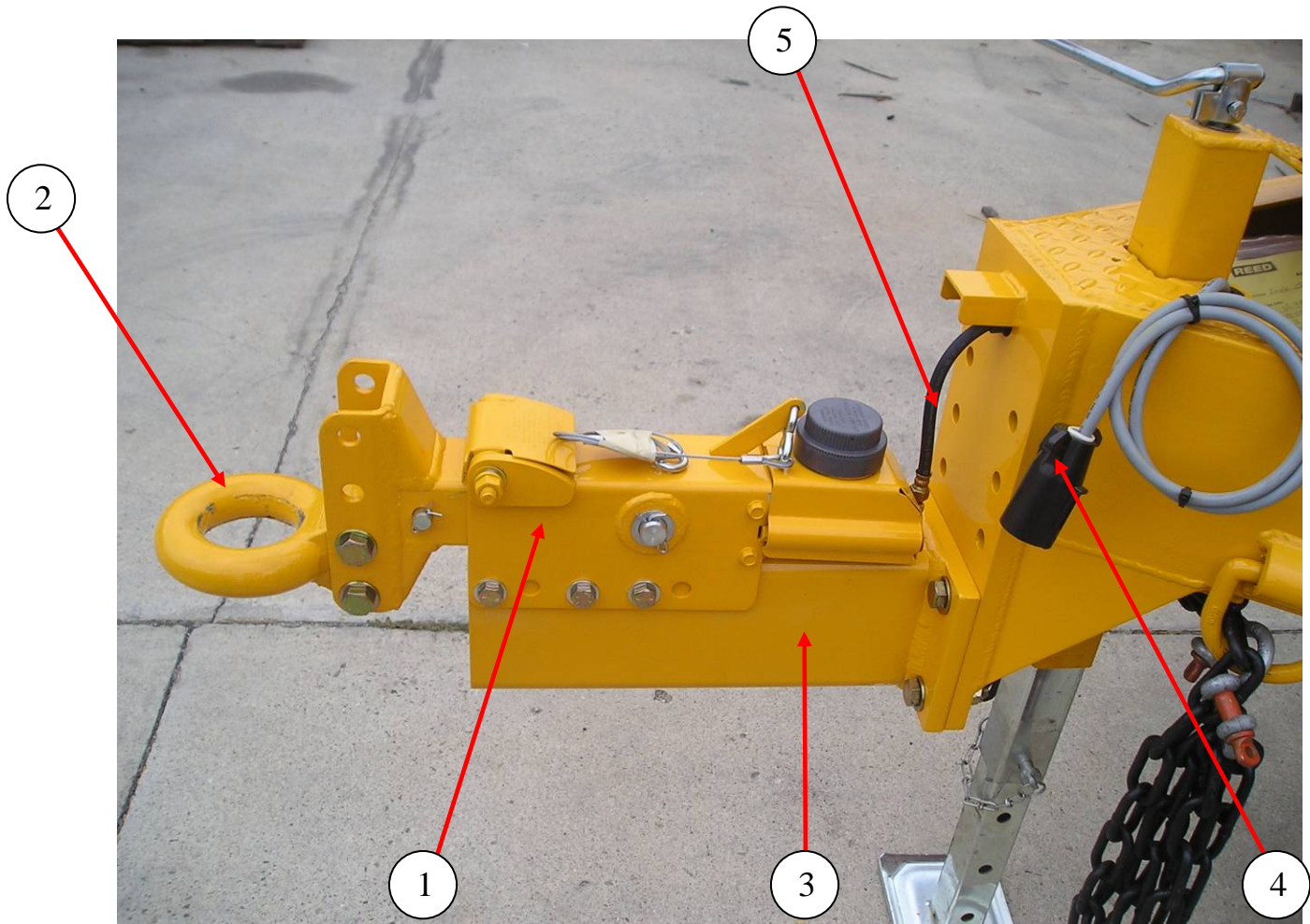
| ID # | PART # | PART DESCRIPTION | QUANTITY | |
|------|------------|---|----------|----|
| 1 | 87924 | HYDRAULIC BRAKE ASSY 9000LB (QUALITY AXLE) | 2 | EA |
| 2 | 88032 | SPACER FOR 88020 HYDRAULIC BRAKE CONVERSION | 2 | EA |
| 3 | 87925 | SOLENIOD HYD BRAKE VALVE | 1 | |
| 4 | 87256 | BRAKE LINE KIT | 1 | |
| 5 | 801902-006 | CLAMP,18MM TUBE CLAMP SET | 1 | EA |

OPTIONS

HYDRAULIC SURGE BRAKE (2 INCH BALL)



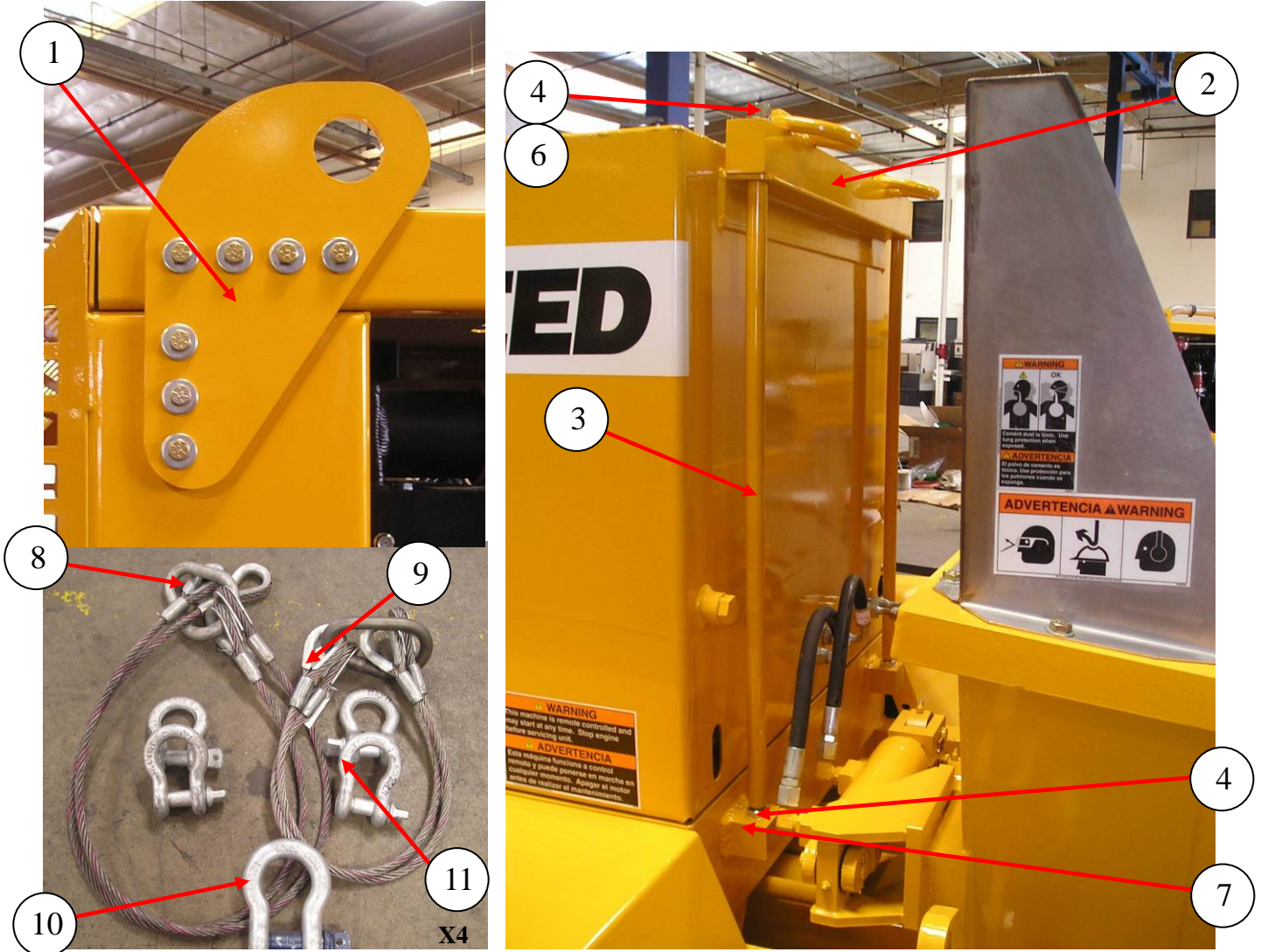
| ID # | PART # | PART DESCRIPTION | QUANTITY | |
|------|--------|--------------------------------------|----------|----|
| | 88020 | SURGE BRAKE 2" BALL COUPLER, 9000LB | REF | EA |
| 1 | 87498 | HITCH-BALL 2" 8000LB CAPACITY | 1 | EA |
| 2 | 87494 | SURGE BRAKE ACTUATOR 8000LB | 1 | EA |
| 3 | 87496 | BRACKET WELD F. 9000LB AXLE SURGE | 1 | EA |
| 4 | 71030 | TORSION SPRING-BRAKE KIT | 1 | EA |
| 5 | 88038 | TRAILER HARNESS-B-SERIES SURGE BRAKE | 1 | EA |

OPTIONS
HYDRAULIC SURGE BRAKES (3 INCH EYE)

| ID # | PART # | PART DESCRIPTION | QUANTITY | |
|------|--------|---|----------|----|
| | 87926 | SURGE BRAKE W/PINTLE 9000 LB QUALITY AXLE | | EA |
| 1 | 87923 | SURGE BRAKE ACTUATOR PINTAL 7500 LB | 1 | EA |
| 2 | 71051 | EYE-LUNETTE 3" | 1 | EA |
| 3 | 87601 | BRACKET WELDMENT, SURGE BRAKE MOUNT | 1 | EA |
| 4 | 87928 | TRAILER HARNESS, B-SERIES SURGE BRAKE | 1 | EA |
| 5 | 71030 | TORSION SPRING-BRAKE KIT | 1 | EA |

OPTIONS

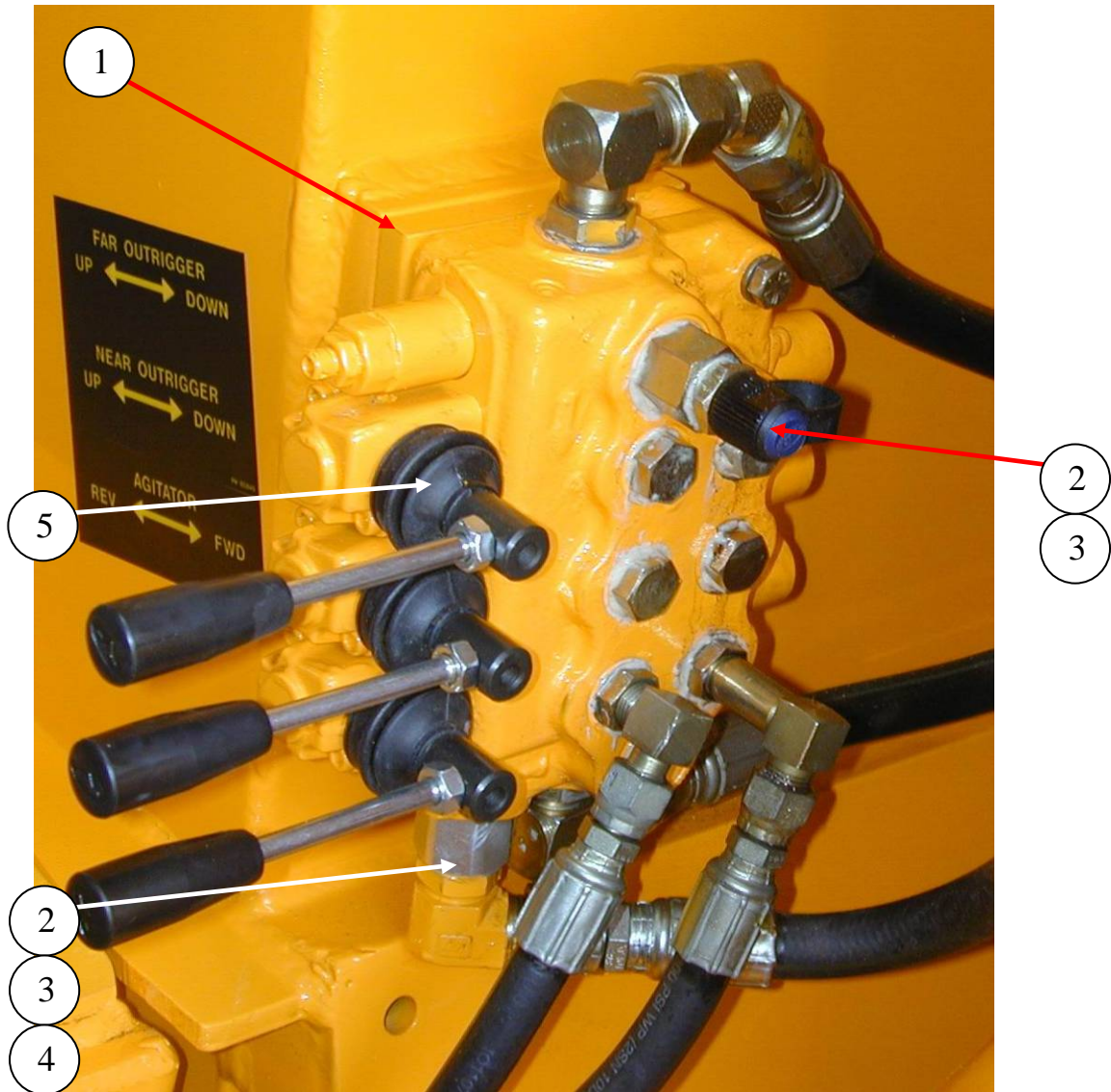
LIFTING EYE KIT



| ID # | PART # | PART DESCRIPTION | QUANTITY | |
|------|--------|--------------------------------|----------|----|
| | 87859 | LIFTING EYE ASSEMBLY B SERIES | REF | |
| 1 | 87594 | GUSSET ENGINE COVER PAINTED | 2 | EA |
| 2 | 86799 | LIFTING BAR, WELDMENT-REAR | 1 | EA |
| 3 | 86762 | LIFTING TIE ROD | 2 | EA |
| 4 | 80008 | HEX NUT 3/4-10UNC GR 8 ZINC | 2 | EA |
| 5 | 80009 | HEX JAMNUT 3/4-10UNC GR 8 ZINC | 2 | EA |
| 6 | 80010 | LOCKWASHER- 3/4-STL ZINC | 2 | EA |
| 7 | 85823 | BLOCK, TRALIER LIFTING | 2 | EA |
| 8 | 86776 | LIFT CABLE, FRONT | 1 | EA |
| 9 | 86777 | LIFT CABLE, REAR | 1 | EA |
| 10 | 86778 | SHACKLE, ANCHOR W/SCREW PIN | 1 | EA |
| 11 | 86811 | SHACKLE, ANCHOR W/SCREW PIN | 4 | EA |

OPTIONS

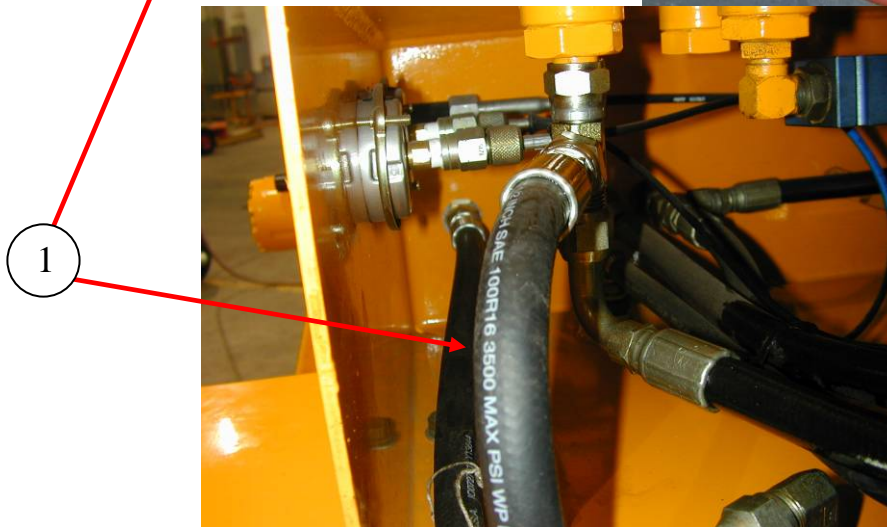
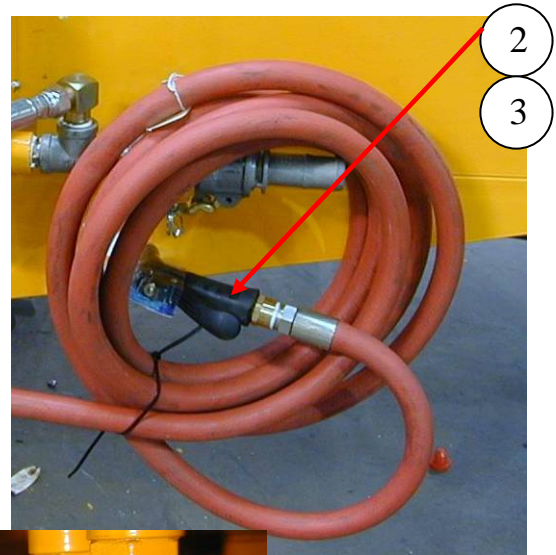
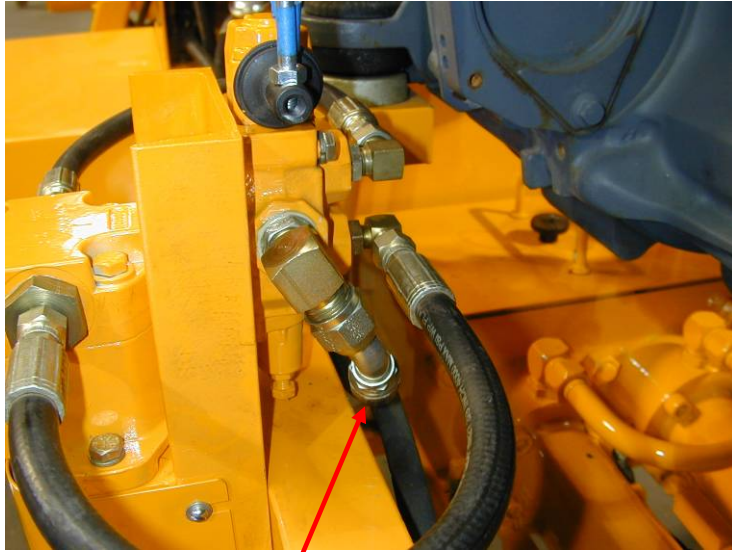
WATER PUMP



| ID # | PART # | PART DESCRIPTION | QUANTITY | |
|------|-----------|----------------------------------|----------|----|
| | 86720 | WASH PUMP INSTALLATION, B-SERIES | REF | EA |
| 1 | 86692 | SPACER, AGITATOR VALVE | 1 | EA |
| 2 | 86384 | POWER BEYOND SLEEVE - VALVIOL | 1 | EA |
| 3 | 86746 | FITTING, 90° MB-MJ-90-8-10 | 1 | EA |
| 4 | 85657-021 | HOSE, 8M2T-10FJX-10FJX45-12.25 | 1 | EA |
| 5 | 74471-B | BOOT, COVER | 3 | EA |

OPTIONS

WATER PUMP CONTINUED



| ID # | PART # | PART DESCRIPTION | QUANTITY | |
|------|-----------|---------------------------------------|----------|----|
| 1 | 85657-023 | HOSE, 8M2T-10FJX-10FJX45-52.00 | 2 | EA |
| 2 | 86267 | WATER HOSE, 12 ENCONO-12FXP-12MP-20FT | 1 | EA |
| 3 | 800098 | NOZZLE, GARDEN HOSE | 1 | EA |

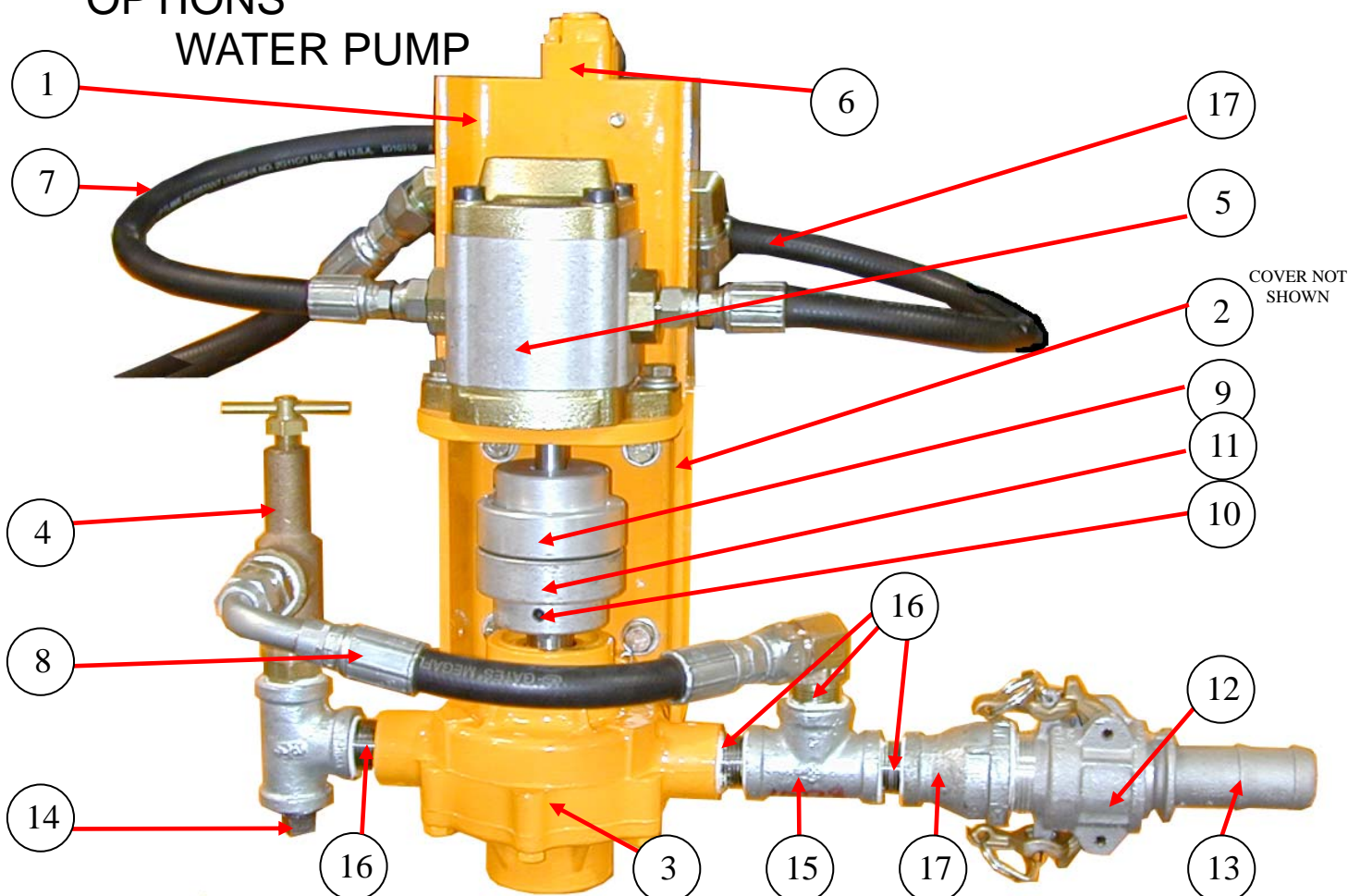


B70HPDVO2

PARTS

13822 Oaks Avenue
Chino, CA 91710
reedpumps.com

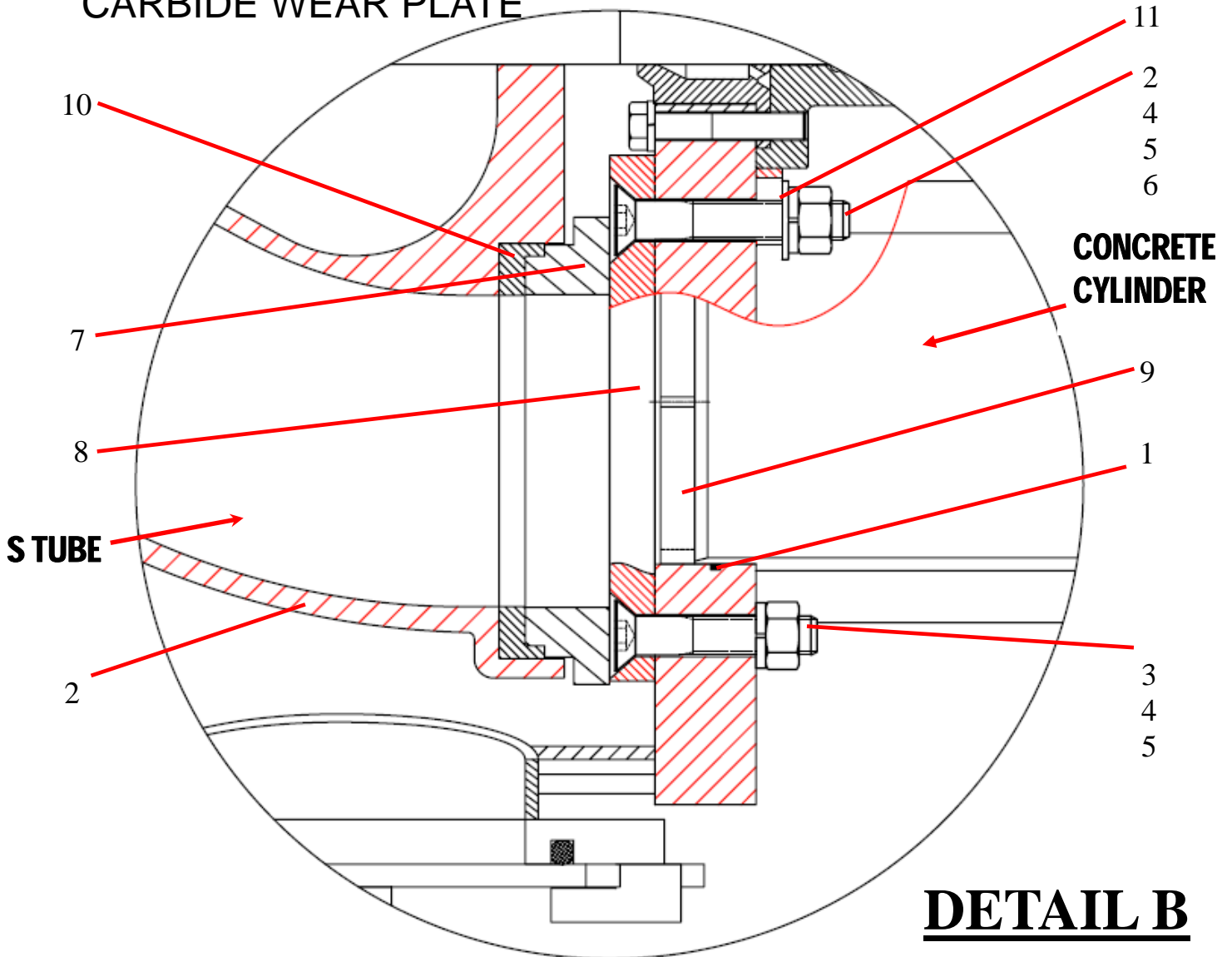
OPTIONS WATER PUMP



| ID # | PART # | PART DESCRIPTION | QUANTITY | |
|------|-----------|--------------------------------------|----------|----|
| | 86200 | WASH PUMP ASSY | | EA |
| 1 | 86196 | WASH PUMP BASE WLDMNT | 1 | EA |
| 2 | 86199 | COVER, WASH PUMP | 1 | EA |
| 3 | 78157 | WASHPUMP-HYPRO | 1 | EA |
| 4 | 78128 | VALVE-P/RELIEF 3/4 | 1 | EA |
| 5 | 78152 | MOTOR-HYD. WASH PUMP | 1 | EA |
| 6 | 86397 | VALVE-MANUAL-1 SPOOL-3 WAY | 1 | EA |
| 7 | 85658-002 | HOSE, 6M2T-6FJX-17.00 | 2 | EA |
| 8 | 85657-022 | HOSE, 8M2T-10FJX-10FJX90S-11.25 | 1 | EA |
| 9 | 78153 | COUPLING FOR WASH PUMP-MOTOR | 1 | EA |
| 10 | 78154 | COUPLING FOR WASH PUMP | 1 | EA |
| 11 | 78155 | SPIDER, FOR WASH PUMP | 1 | EA |
| 12 | 10948 | COUPLING-CAM/GROOVE 1.25" FEM. X MPT | 1 | EA |
| 13 | 10947 | COUPLING-CAM/GROOVE 1.25" FEM. X MPT | 1 | EA |
| 14 | 800371 | FITTING, GARDEN HOSE | 1 | EA |
| 15 | 10228 | TEE, 3/4" | 2 | EA |
| 16 | 40047 | NIPPLE-CLOSE PIPE 3/4" | 4 | EA |
| 17 | 86398 | BELL REDUCER-3/4 X 1 1/4 | 1 | EA |

OPTIONS

CARBIDE WEAR PLATE



DETAIL B

| ID # | PART # | PART DESCRIPTION | QUANTITY | |
|------|---------|-------------------------------|----------|----|
| 1 | 86037 | O-RING, #264 BUENA 70 | 2 | EA |
| 2 | | FHCS, 3/4 - 10X 4 1/2" GR 8 | 1 | EA |
| 3 | | FHCS, 3/4 - 10X 3 1/2" GR 8 | 3 | EA |
| 4 | | HEX NUT, 3/4" - 10 | 4 | EA |
| 5 | | LOCK WASHER, 3/4" | 4 | EA |
| 6 | | FLATWASHER, 3/4" | 4 | EA |
| 7 | 85975-1 | WEAR RING, SINGLE LIP 7" | 1 | EA |
| 8 | 85970-1 | WEAR PLATE, 7" | 1 | EA |
| 9 | 85977 | CHIP RING, 7" | 2 | EA |
| 10 | 85974 | SEAL, SINGLE LIP, 7" | 1 | EA |
| 11 | 86502 | LOCATOR RING - FLANGE BEARING | 1 | EA |