



# Mine 30 PLC

## PARTS

13822 Oaks Avenue  
Chino, CA 91710  
reedpumps.com  
909-287-2100

|   |    |
|---|----|
| PARTS.....                                    | 3  |
| PUMPING TRAIN ASSEMBLY .....                  | 3  |
| S-TUBE ASSEMBLY.....                          | 5  |
| 5" OUTLET ASSEMBLY .....                      | 5  |
| 5" OUTLET SEAL KIT INSTALLATION.....          | 6  |
| WEAR PLATE ASSEMBLY .....                     | 7  |
| 6" PISTON CUP ASSEMBLY .....                  | 8  |
| DRIVE CYLINDER ASSEMBLY .....                 | 9  |
| SINGLE SHIFT BELL CRANK ASSEMBLY .....        | 10 |
| SINGLE SHIFT SWING CYLINDER ASSEMBLY.....     | 10 |
| POWER TRAIN .....                             | 13 |
| ELECTRIC MOTOR AND PUMP.....                  | 13 |
| ELECTRIC MOTOR COUPLING.....                  | 14 |
| HYDRAULIC PUMP, GEAR BOX .....                | 14 |
| HYDRAULIC TANK ASSEMBLY .....                 | 15 |
| MANIFOLDS.....                                | 17 |
| DRIVE CYLINDER CIRCUIT MANIFOLD ASSEMBLY..... | 18 |
| S-TUBE CIRCUIT MANIFOLD ASSEMBY .....         | 20 |
| TEMPERTURE SENSOR HYD .....                   | 22 |
| ELECTRICAL GROUP.....                         | 23 |
| PROXIMITY SWITCHES .....                      | 23 |
| CONTROLS.....                                 | 24 |
| MAIN CONTROL BOX SWITCHES, LIGHTS .....       | 24 |
| KEY PAD SWITCHES INSERT KIT .....             | 25 |
| 12VDC-35 AMP POWER SUPPLY .....               | 26 |
| MOTOR CIRCUIT BREAKER .....                   | 28 |
| SOFT START.....                               | 29 |
| XC10 .....                                    | 30 |
| MD3 DISPLAY MODULE .....                      | 31 |
| ESTOP, KEY ASSEMBLY, PLUGS .....              | 32 |
| BUSSES, CONNECTORS, PINS.....                 | 33 |
| SWITCH A .....                                | 34 |
| SWITCH B .....                                | 35 |
| CAN PLUGS, CONNECTORS.....                    | 36 |
| CONTACTOR, PHAZE MONITOR.....                 | 37 |
| CIRCUIT BREAKER .....                         | 38 |
| TRANSFORMER 250-KVA .....                     | 40 |
| TRANSFORMER 750-KVA .....                     | 41 |
| DEUTSCH 128 PLUG ASSEMBLY.....                | 42 |
| CONDUIT, FITTING.....                         | 44 |



# Mine 30 PLC PARTS

13822 Oaks Avenue  
Chino, CA 91710  
reedpumps.com  
909-287-2100

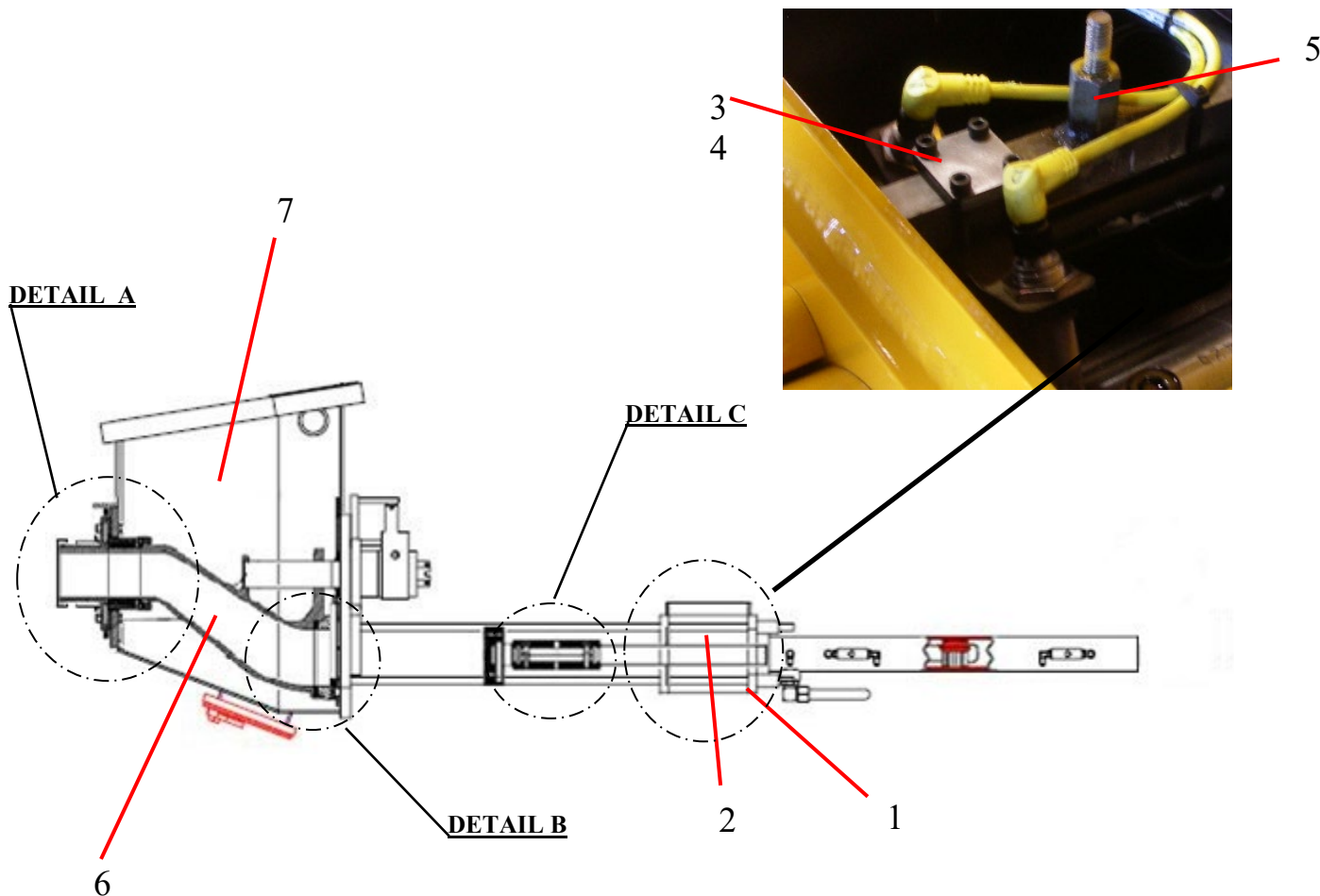
WIRING HARNESS .....45  
 FRAME, PANELS .....46  
 HOPPER SAFETY GRATE .....47  
 GRATE ASSEMBLY .....48  
 OPTION..... 49  
 HYDRAULIC AGITATOR .....49  
 PERIFLO CHEMICAL PUMP .....52

| REV | DATE       | DESCRIPTION | NAME    |
|-----|------------|-------------|---------|
| *   | 10/19/2020 | INITIAL     | J.SLACK |
|     |            |             |         |
|     |            |             |         |
|     |            |             |         |
|     |            |             |         |

### PARTS

### PUMPING TRAIN ASSEMBLY

**FLUSH BOX  
TOP VIEW**



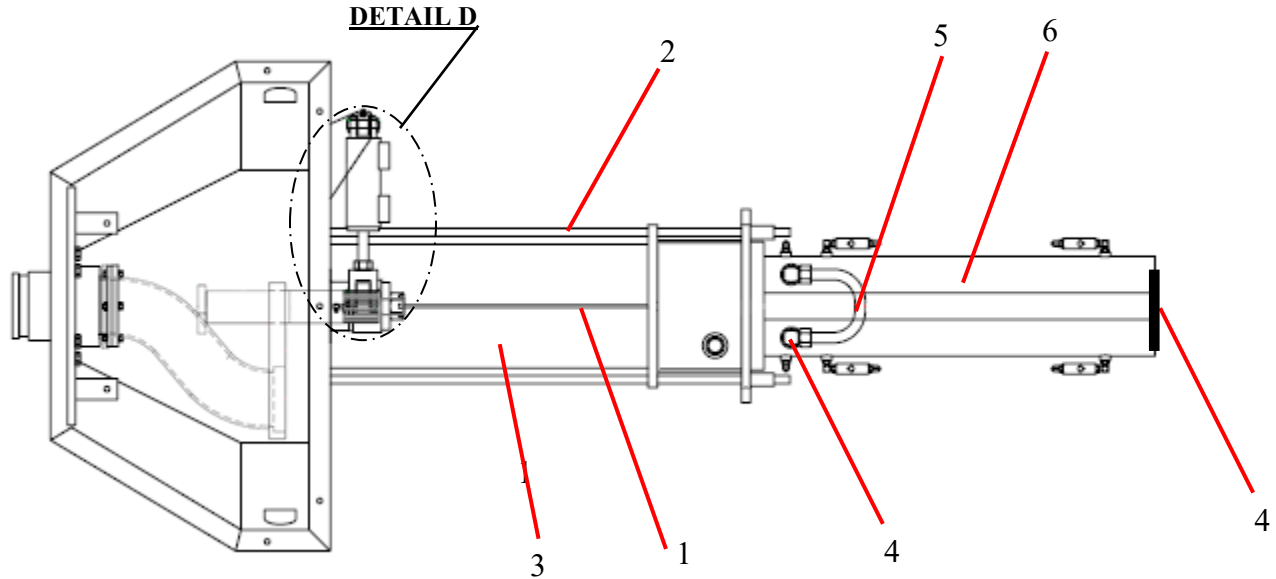
| ID # | PART #   | PART DESCRIPTION                   | QUANTITY |     |
|------|----------|------------------------------------|----------|-----|
|      | 88636-1  | PUMP CELL ASSEMBLY M30 HYDRA       |          | REF |
| 1    | 10282    | PLUGS-PIPE GALV 1" FOR DRAIN       | 1        | EA  |
| 2    | BW10368  | FLUSH BOX WELDMENT, A40            | 1        | EA  |
| 3    | BW10102  | BRACKET, PROX SWITCH,              | 1        | EA  |
| 4    | BW10383  | BRACKET, PROX SWITCH               | 1        | EA  |
| 5    | BW10193  | STUD, 3/8-16 X 2" LONG             | 1        | EA  |
| 6    | BW10391  | S TUBE WELDMENT, 6X5 A40           | 1        | EA  |
| 7    | BW10363A | HOPPER, WELDMENT A40 SAFETY SWITCH | 1        | EA  |



# Mine 30 PLC PARTS

13822 Oaks Avenue  
Chino, CA 91710  
reedpumps.com  
909-287-2100

## PUMPING TRAIN ASSEMBLY CONTINUED

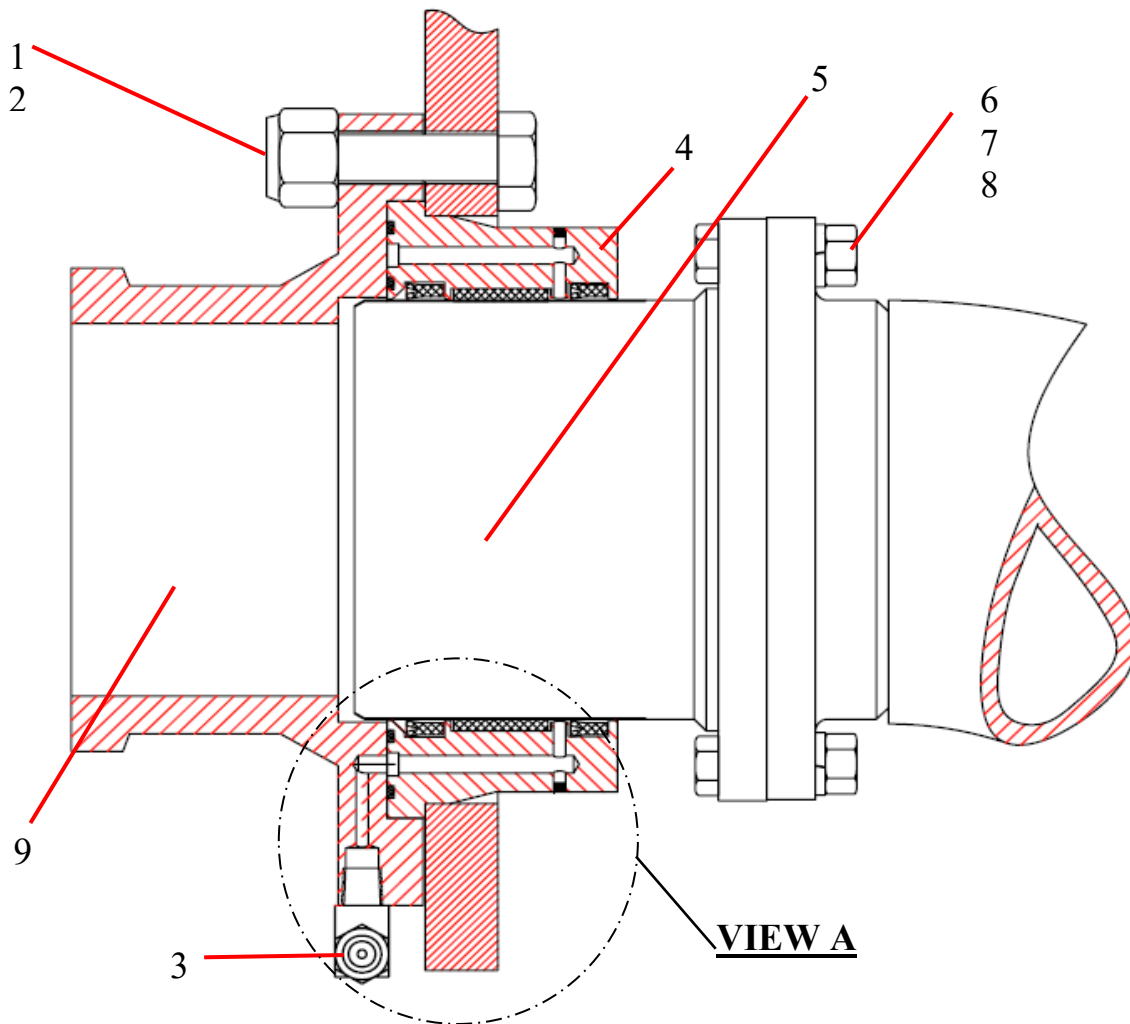


| ID # | PART #    | PART DESCRIPTION                          | QUANTITY |    |
|------|-----------|---|----------|----|
| 1    | BW10380   | TIE ROD, SHORT, A40                       | 4        | EA |
| 2    | 88638     | TIE ROD, LONG, A40                        | 2        | EA |
| 3    | 88637     | CONCRETE CYLINDER, 6" X 20" A40           | 2        | EA |
| 4    | 86728-023 | ELBOW, MB – MJ90-16-16                    | 2        | EA |
| 5    | BW10394   | TUBE, HYD, LOOP LINE, A40                 | 1        | EA |
| 6    | 88633HT   | DRIVE CYLINDER 3.75 X 2.00 X19.50 (HYDRA) | 2        | EA |
| 7    | 88654     | END PLATE DRIVE CYLINDER M30              | 1        | EA |

### S-TUBE ASSEMBLY

### 5" OUTLET ASSEMBLY

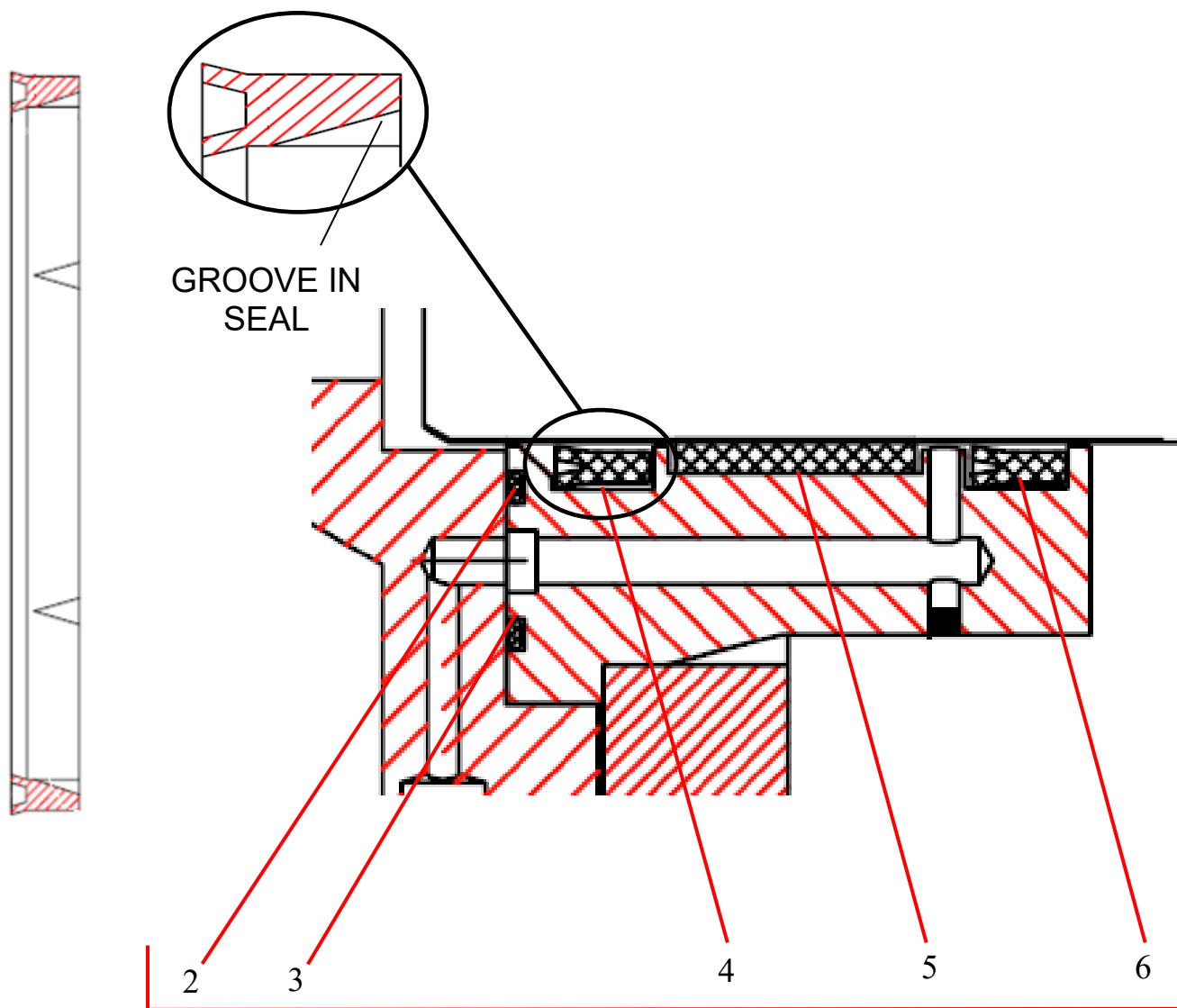
### DETAIL A



| ID # | PART # | PART DESCRIPTION             | QUANTITY |    |
|------|--------|------------------------------|----------|----|
|      | 86321  | OUTLET ASSEMBLY              | 1        | EA |
| 1    |        | HHCS, 9/16-12 X 2 1/2 GR/8   | 6        | EA |
| 2    |        | LOCK NUT, 9/16 -12           | 6        | EA |
| 3    |        | GREASE FITTING, 1/8" NPT 90° | 2        | EA |
| 4    | 72309  | OUTLET SEAL HOUSING          | 1        | EA |
| 5    | 70042  | WELD.-CHROMED OUTLET         | 1        | EA |
| 6    |        | HHCS, 3/8 - 16X1 1/2" GR 8   | 6        | EA |
| 7    |        | HEX NUT, 3/8" - 16           | 6        | EA |
| 8    |        | LOCK WASHER, 3/8"            | 6        | EA |
| 9    | 72482  | OUTLET, 5" (1-PIECE)         | 1        | EA |

# 5" OUTLET SEAL KIT INSTALLATION

## VIEW A



| ID # | PART # | PART DESCRIPTION 1               | QUANTITY |    |
|------|--------|----------------------------------|----------|----|
| 1    | 79895  | SEAL KIT                         | 1        | EA |
| 2    | 77762  | O-RING-#257 BUNA 90              | 1        | EA |
| 3    | 77761  | O-RING-#264 BUNA 90              | 1        | EA |
| 4    | 86504  | SEAL-MODIFIED- 5 IN OUTLET       | 1        | EA |
| 5    | 77763  | GUIDE BAND – 5.375 OD X 1.00W    | 1        | EA |
| 6    | 77765  | LIP SEAL -5.50 ID X 6.00 OD X.56 | 1        | EA |



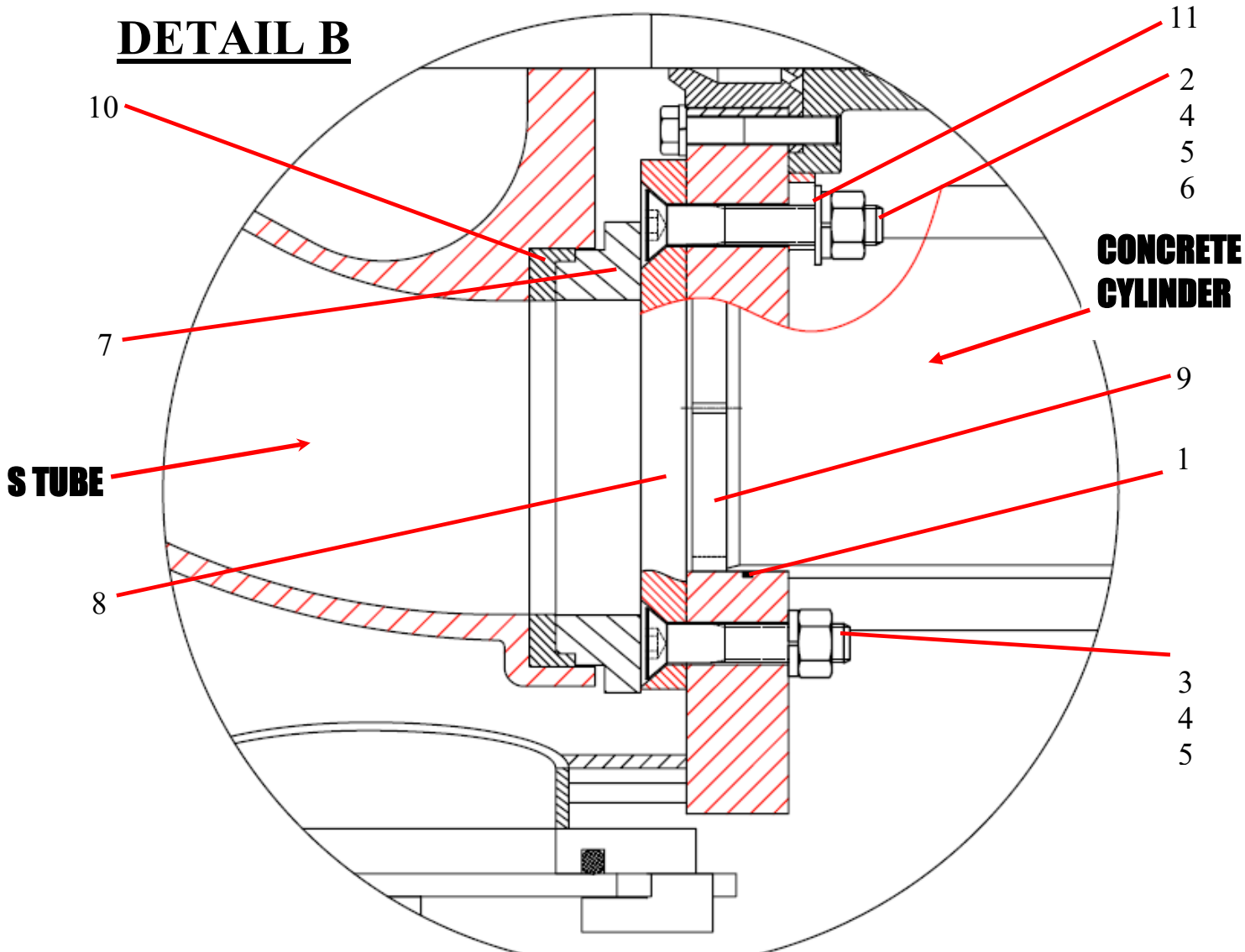
# Mine 30 PLC

## PARTS

13822 Oaks Avenue  
 Chino, CA 91710  
 reedpumps.com  
 909-287-2100

### WEAR PLATE ASSEMBLY

#### DETAIL B

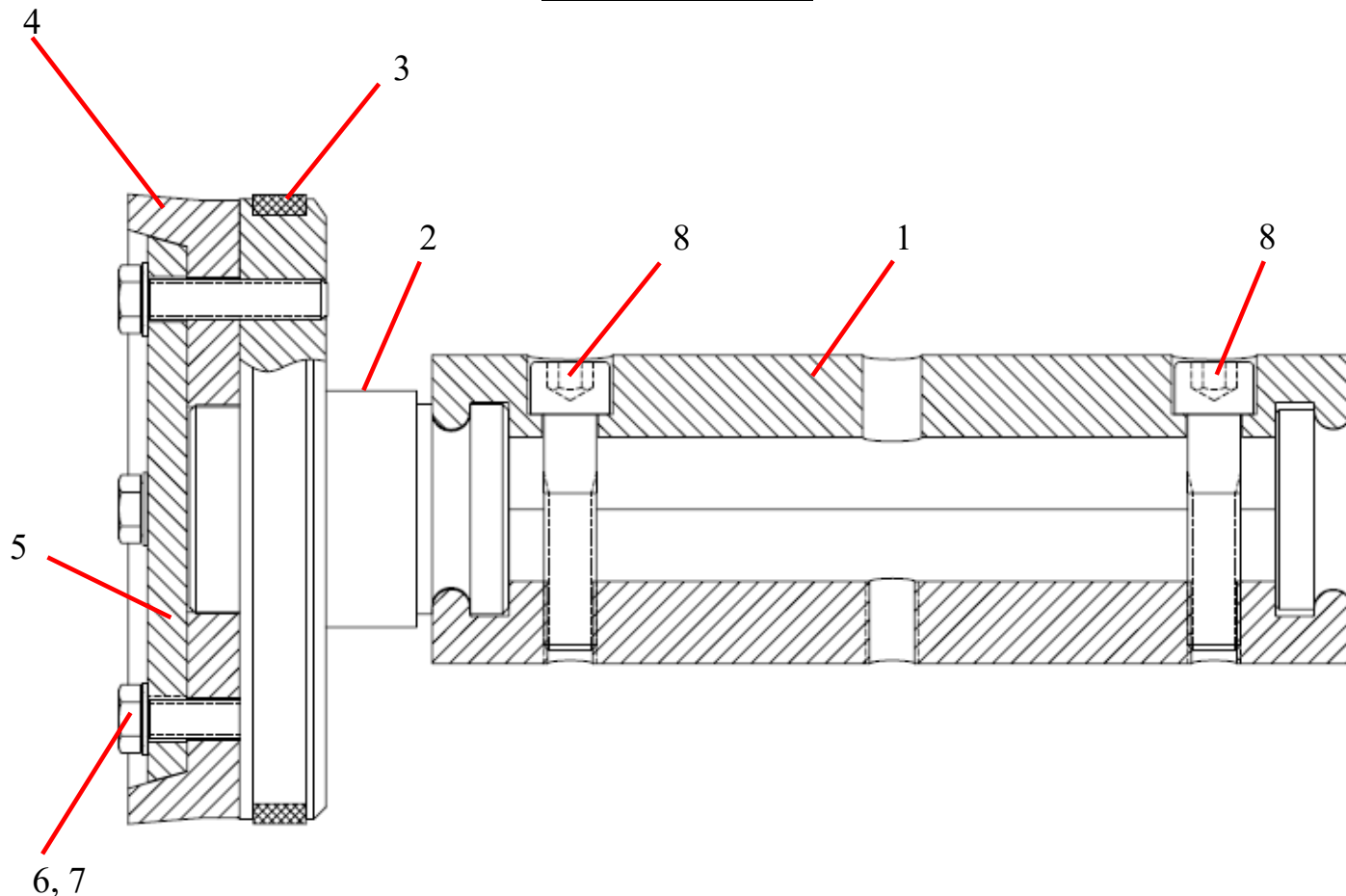


| ID # | PART #  | PART DESCRIPTION              | QUANTITY |    |
|------|---------|-------------------------------|----------|----|
| 1    | 86149   | O-RING, #259 BUENA 70         | 4        | EA |
| 2    |         | FHCS, 3/4" - 10X 4 1/2" GR 8  | 1        | EA |
| 3    |         | FHCS, 3/4" - 10X 3 1/2" GR 8  | 3        | EA |
| 4    |         | HEX NUT, 3/4" - 10            | 4        | EA |
| 5    |         | LOCK WASHER, 3/4"             | 4        | EA |
| 6    |         | FLATWASHER, 3/4"              | 4        | EA |
| 7    | 72310   | WEAR RING, 6"                 | 1        | EA |
| 8    | BW10382 | WEAR PLATE 6" A40             | 1        | EA |
| 9    | 86086   | CHIP RING, 6"                 | 2        | EA |
| 10   | 86085   | SEAL, SINGLE LIP, 6"          | 1        | EA |
| 11   | 86502   | LOCATOR RING - FLANGE BEARING | 1        | EA |



6" PISTON CUP ASSEMBLY

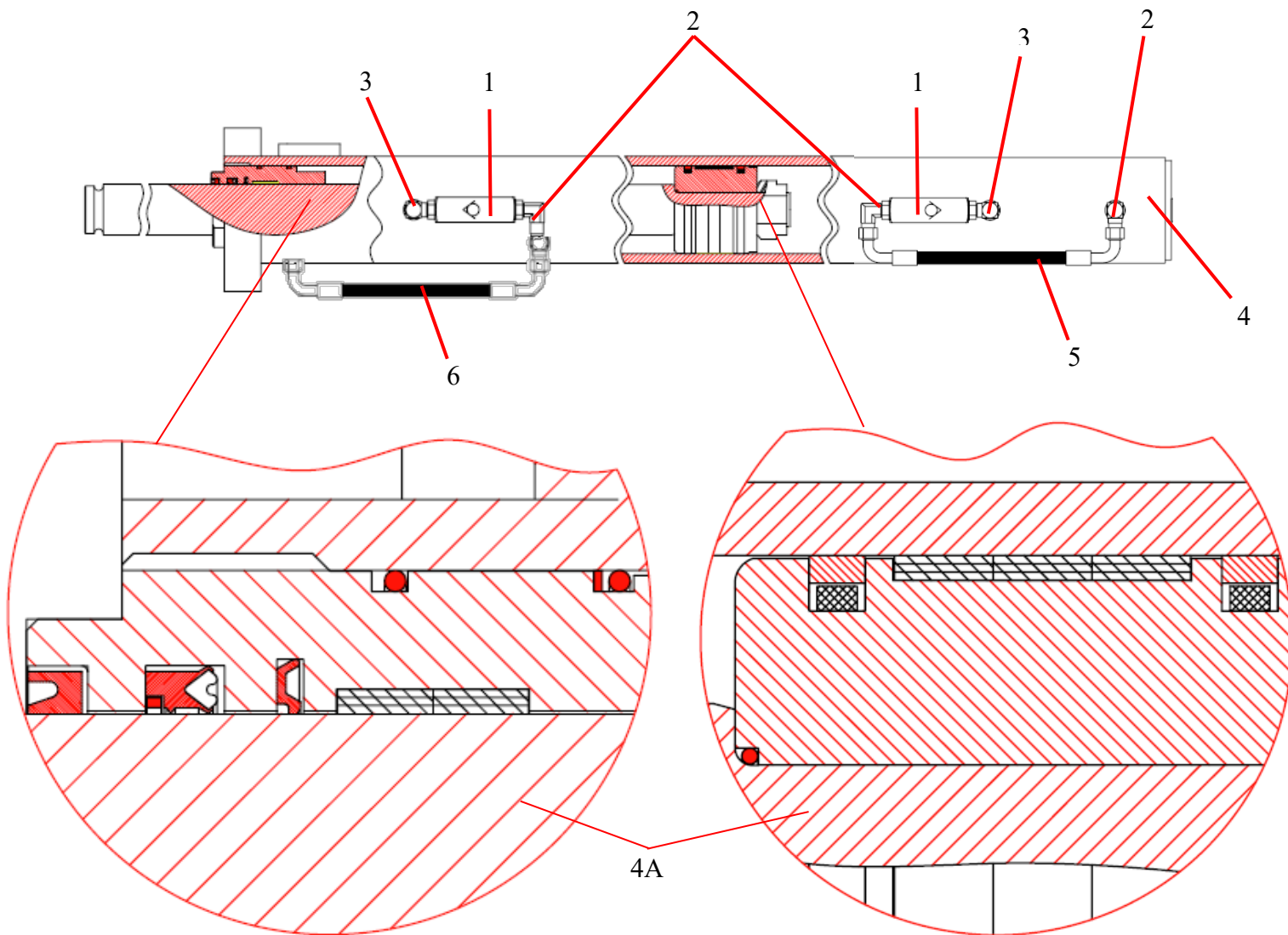
DETAIL C



| ID # | PART # | PART DESCRIPTION           | QUANTITY |        |
|------|--------|----------------------------|----------|--------|
| 1    | 73425  | PISTON COUPLING            | 1        | E/SIDE |
| 2    | 77194  | PISTON ADAPTER 6"          | 1        | E/SIDE |
| 3    | 77120  | WEAR RING (GUIDE BAND) 6"  | 1        | E/SIDE |
| 4    | 70048  | PISTON CUP, 6 IN.          | 1        | E/SIDE |
| 5    | 70057  | PISTON PLATE 6"            | 1        | E/SIDE |
| 6    |        | HHCS, 3/8 - 16X1 3/4" GR 8 | 4        | E/SIDE |
| 7    |        | LOCKWASHER 3/8             | 4        | E/SIDE |
| 8    |        | SHCS 1/2 - 20 X 2 1/4"     | 2        | E/SIDE |



### DRIVE CYLINDER ASSEMBLY



| ID # | PART #      | PART DESCRIPTION                      | QUANTITY |         |
|------|-------------|---------------------------------------|----------|---------|
| 1    | 78961       | CHECK VALVE-5K PSI O-RING             | 2        | EA/SIDE |
| 2    | 86748       | FITTING-MB-MJ90-6-6                   | 3        | EA/SIDE |
| 3    |             | ELBOW, MB-MB90-6-6                    | 2        | EA/SIDE |
| 4    | 88633HT     | DRIVE CYL-3.75 X 2.00 X 19.50 (HYDRA) | 2        | EA/SIDE |
| 4A   | BW10373A-SK | SEAL KIT FOR 88633                    | 2        | EA/SIDE |
| 5    | BW10051     | HOSE-RT2-FJS90-FJS09-06-06-12"        | 1        | EA      |
| 6    | BW10405     | HOSE-RT2-FJS90-FJS09-06-06-14"        | 3        | EA      |



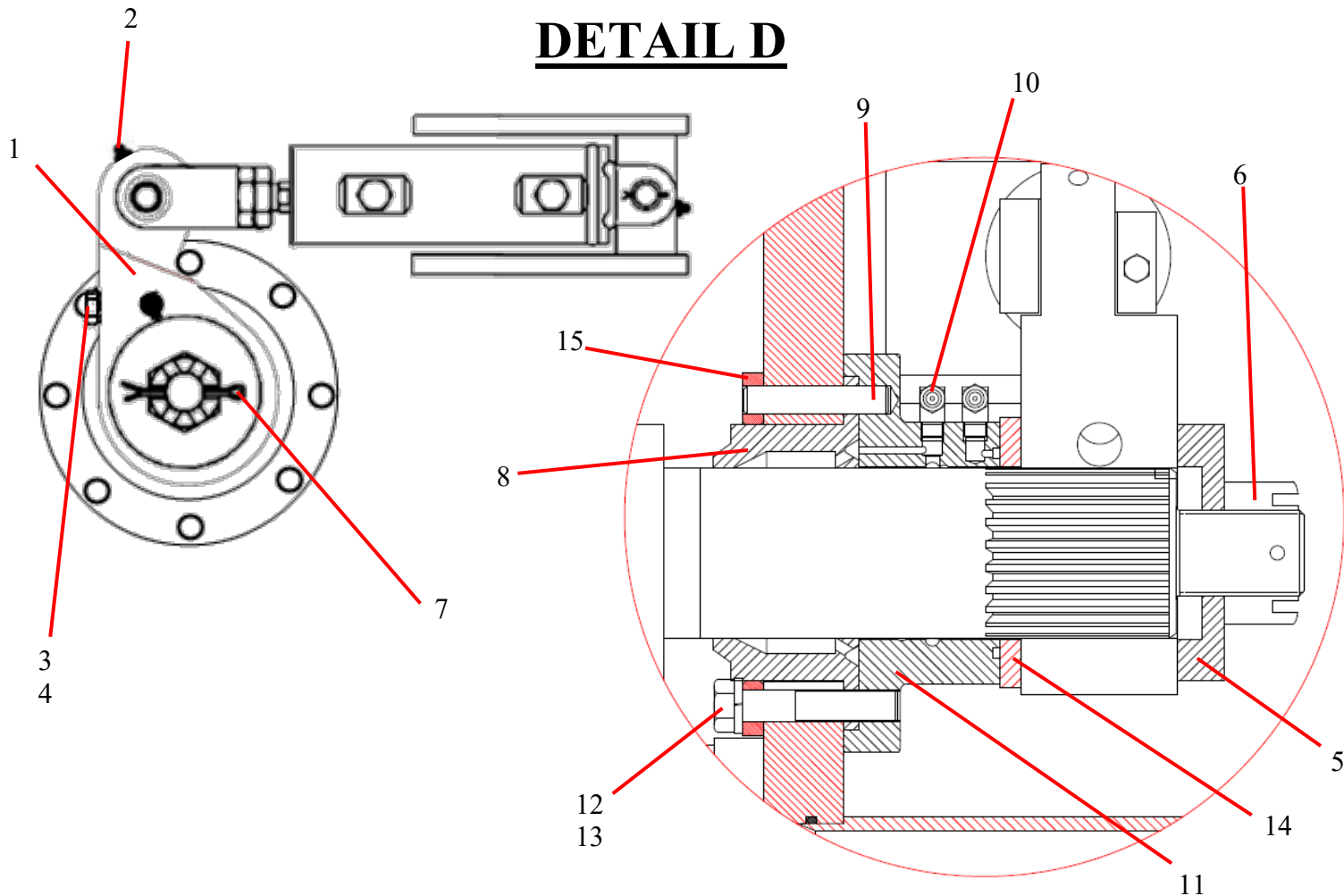
# Mine 30 PLC

## PARTS

13822 Oaks Avenue  
Chino, CA 91710  
reedpumps.com  
909-287-2100

### SINGLE SHIFT BELL CRANK ASSEMBLY

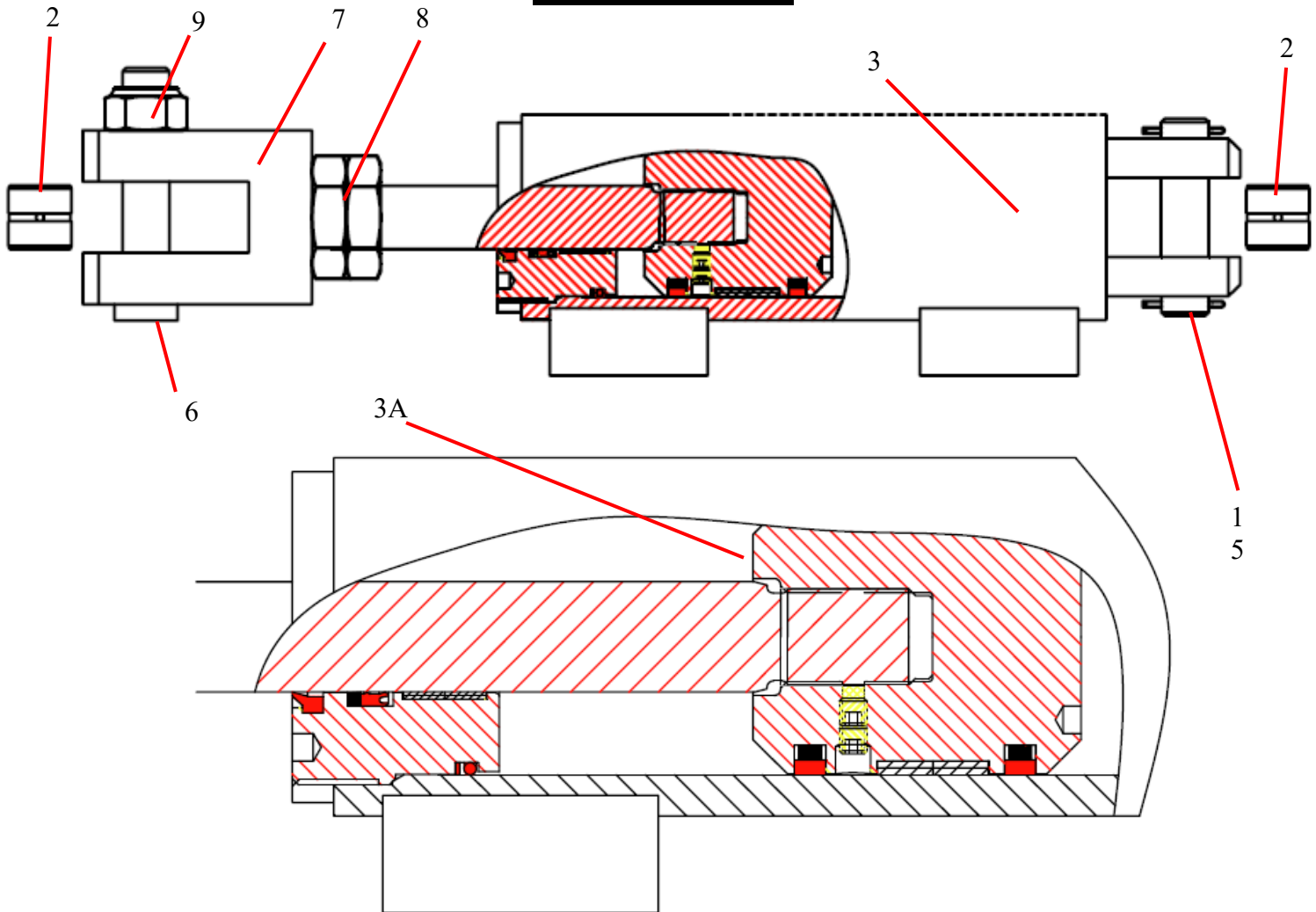
#### DETAIL D



| ID # | PART #  | PART DESCRIPTION                | QUANTITY |    |
|------|---------|---------------------------------|----------|----|
| 1    | 85131   | BELL CRANK, 3 IN SPLINE, SINGLE | 1        | EA |
| 2    |         | GREASE FITTING, 1/8" NPT 45°    | 1        | EA |
| 3    |         | HHCS, 5/8"-18X5 1/2" GR 8       | 1        | EA |
| 4    |         | LOCK WASHER, 5/8"               | 1        | EA |
| 5    | 85134   | SPACER, S-TUBE NUT              | 1        | EA |
| 6    | 70825   | NUT 1 1/2" - 12 CASTLE          | 1        | EA |
| 7    |         | COTTER PIN, 1/4 X4"             | 1        | EA |
| 8    | 85962   | SEAL, FLANGE BEARING, 3" SHAFT  | 1        | EA |
| 9    |         | DOWEL PIN, 1/2" DIA X 2"        | 2        | EA |
| 10   |         | GREASE FITTING, 1/8" NPT        | 2        | EA |
| 11   | 85133   | FLANGED BEARING, 3 IN SPLINE    | 1        | EA |
| 12   |         | HHCS, 9/16 - 12X3" GR 8         | 4        | EA |
| 13   |         | LOCK WASHER, 9/16"              | 4        | EA |
| 14   | 85294   | THRUST WASHER, S -TUBE          | 1        | EA |
| 15   | BW10384 | SPACER RING A40                 | 1        | EA |

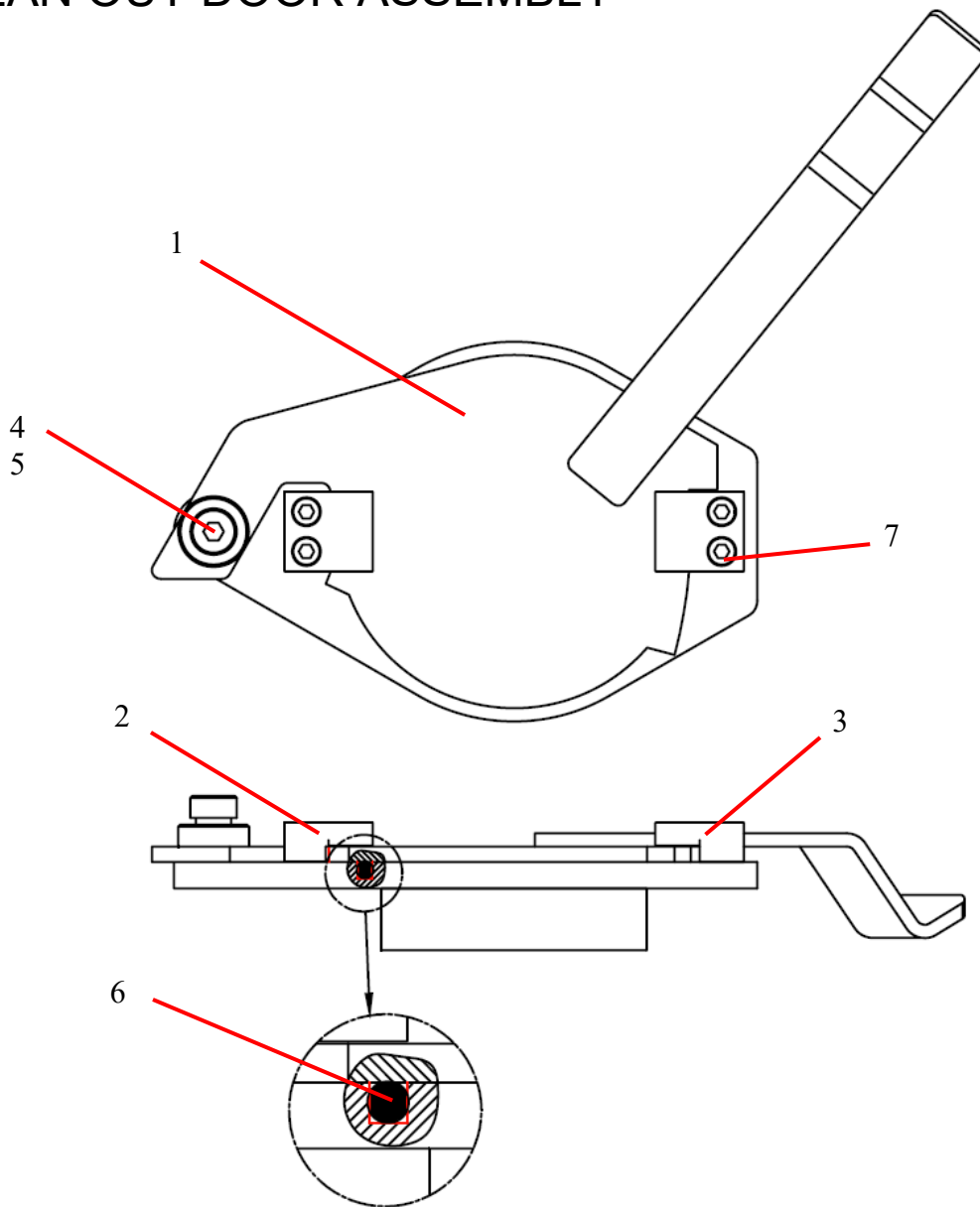
### SINGLE SHIFT SWING CYLINDER ASSEMBLY

#### DETAIL D



| ID # | PART #    | PART DESCRIPTION                            | QUANTITY |     |
|------|-----------|---|----------|-----|
| 1    | 74207     | PIN - CLEVIS - .750 DIA                     | 1        | EA  |
| 2    | 71011     | BUSHING - SHIFT CYLINDER                    | 2        | EA  |
| 3    | BW10374HT | SWING CYLINDER – 2.50 X 1.00 X 5.15 (HYDRA) | 1        | EA  |
| 3A   | 86221A-SK | SWING CYLINDER SEAL KIT (HYDRA)             | 1        | REF |
| 5    |           | COTTER PIN, 3/32X1 3/4"                     | 2        | EA  |
| 6    | 86150     | PIN, CLEVIS 1.00 DIA                        | 1        | EA  |
| 7    | 86135     | CLEVIS, SHIFT CYLINDER                      | 1        | EA  |
| 8    |           | 1"X14 JAM NUT                               | 2        | EA  |
| 9    |           | 3/4 -10 LOCK NUT                            | 1        | EA  |

### CLEAN OUT DOOR ASSEMBLY



| ID # | PART #    | PART DESCRIPTION                  | QUANTITY |    |
|------|-----------|-----------------------------------|----------|----|
|      | 86542     | CLEAN OUT DOOR WELDMENT PARTS KIT | REF      |    |
| 1    | 86988     | DOOR WELDMENT, CLEAN OUT          | 1        | EA |
| 2    | 86559     | BLOCK, CLEAN OUT DOOR, LH         | 1        | EA |
| 3    | 86560     | BLOCK, CLEAN OUT DOOR, RH         | 1        | EA |
| 4    |           | SHOULDER SCREW 1" DIA-1 1/4"      | 1        | EA |
| 5    | 85367     | BOSS, CLEAN OUT DOOR              | 1        | EA |
| 6    | W-102908A | O-RING CORD, HOPPER DOOR          | 2.21     | FT |
| 7    |           | SHCS 1/2"-13 X 1 1/4"             | 4        | EA |

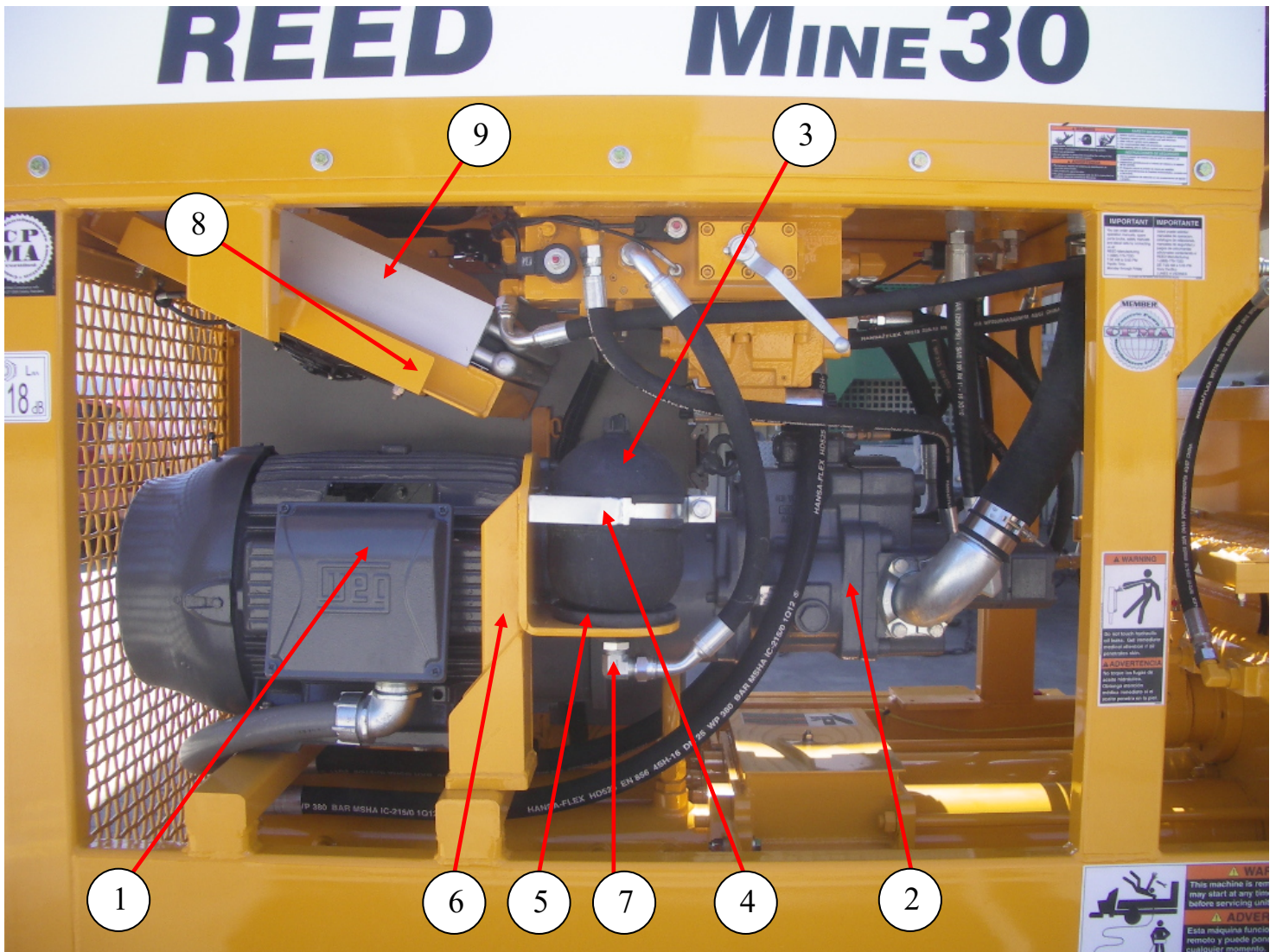




# Mine 30 PLC PARTS

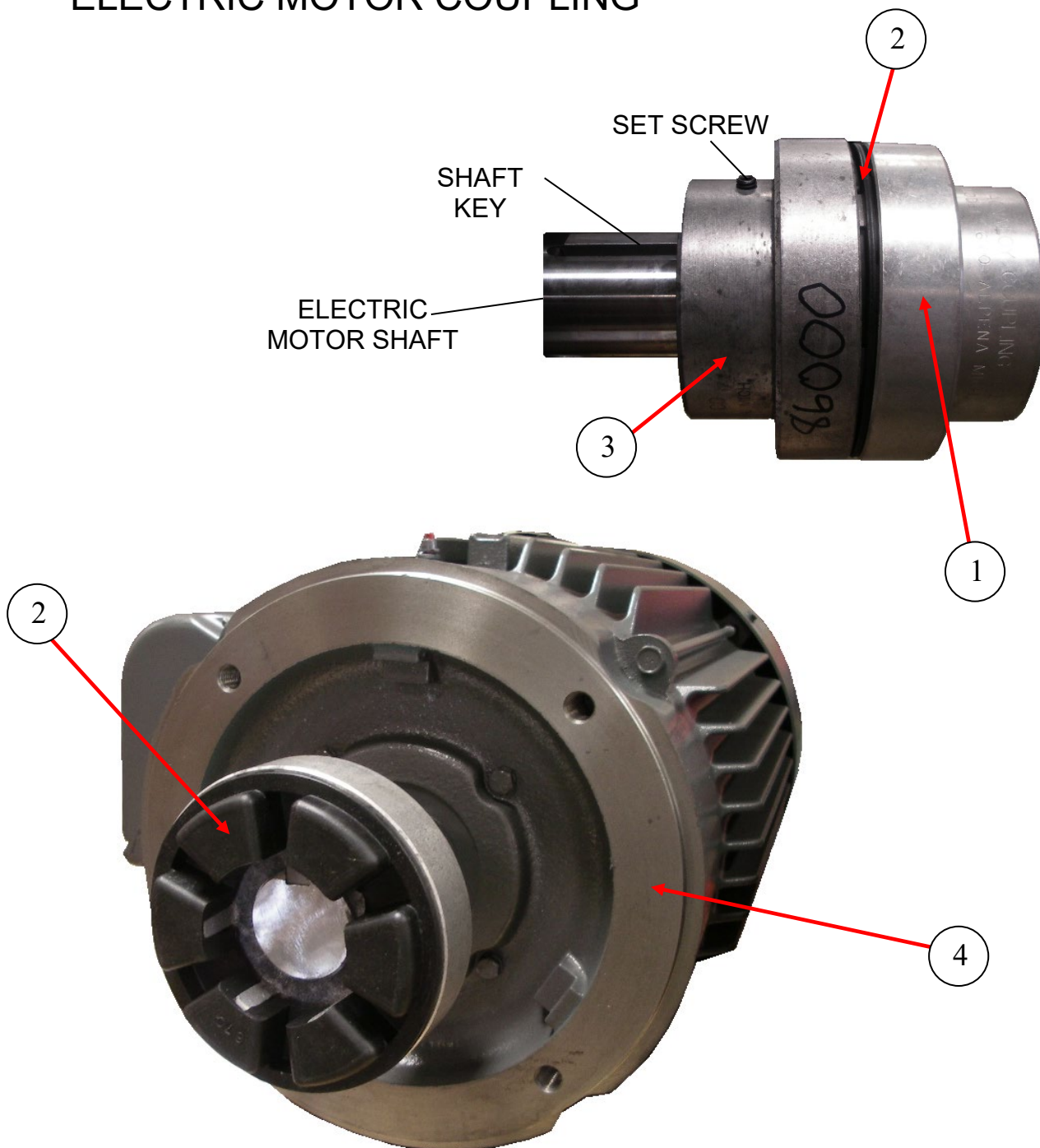
13822 Oaks Avenue  
Chino, CA 91710  
reedpumps.com  
909-287-2100

## POWER TRAIN ELECTRIC MOTOR AND PUMP



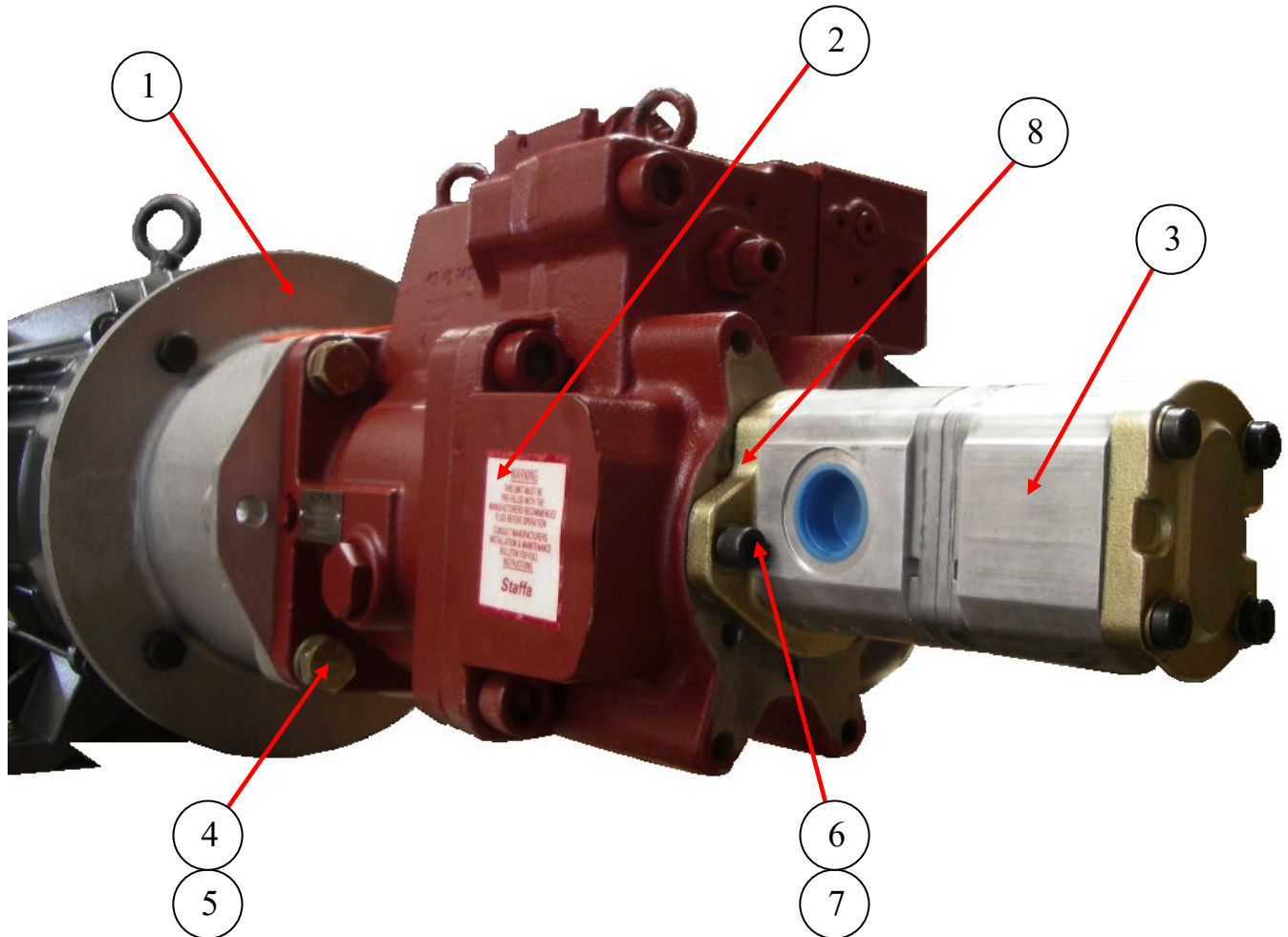
| ID # | PART #    | PART DESCRIPTION                    | QUANTITY |     |
|------|-----------|-------------------------------------|----------|-----|
|      | 88635-5   | POWER TRAIN ASSY M30 SKE            |          | REF |
| 1    | 85993     | MOTOR, 50HP, 380V,60HZ,3PH BALDOR   | REF      | EA  |
| 1A   | 85991     | MOTOR, 50HP, 230/380/460V           | REF      | EA  |
| 2    | 85124-004 | PUMP, KV3L112 KAWASAKI, 75HP        | REF      | EA  |
| 3    | 71360     | ACCUMULATOR                         | 1        | EA  |
| 4    | 73171     | ACCUMULATOR BRK.W/CLOSING HARDWARE  | 1        | EA  |
| 5    | 801028    | GROMMET, ACCUMULATOR                | 1        | EA  |
| 6    | 88748     | BRACKET ACCUMULATOR MOUNT           | 1        | EA  |
| 7    | 86904-009 | ELBOW, MB-MJ90LL-12-12              | 1        | EA  |
| 8    | 89450     | BRACKET OIL COOLER MOUNT            | 1        |     |
| 9    | 88968     | HYD. OIL COOLER-ELECTRIC 115/120VAC | 1        | EA  |

### ELECTRIC MOTOR COUPLING



| ID # | PART # | PART DESCRIPTION                              | QUANTITY |    |
|------|--------|---|----------|----|
| 1    | 88028  | COUPLING HALF FOR 13 TEETH 8/16 SAE-D, M600   | 1        | EA |
| 2    | 86002  | COUPLING SPIDER, L190-NBR (USE P/N 87041)     | 1        | EA |
| 3    | 86000  | COUPLING HALF, L190-2 1/2X1/2 (USE P/N 87039) | 1        | EA |
| 4    | 85991  | MOTOR, 50HP, 460V, 3PH, BALDOR                | REF      | EA |

### HYDRAULIC PUMP, GEAR BOX



| ID # | PART #    | PART DESCRIPTION                     | QUANTITY |    |
|------|-----------|--------------------------------------|----------|----|
| 1    | 88240     | PUMP ADAPTER- FRAME 326TC X SAE      | 1        | EA |
| 2    | 85124-004 | PUMP, KV3L112 KAWASAK, 75HP          | 1        | EA |
| 3    | 87571-1   | PUMP-RH-DBLE GEAR, 11.3/8.2 CC BOSCH | 1        | EA |
| 4    |           | ¾-2" BOLT                            | 4        | EA |
| 5    |           | ¾ LOCK WASHER                        | 4        | EA |
| 6    |           | M10 X 30 SHCS                        | 2        | EA |
| 7    |           | 10MM HI COLLAR LOCK WASHER           | 2        | EA |
| 8    | 88174     | O-RING                               | 1        | EA |

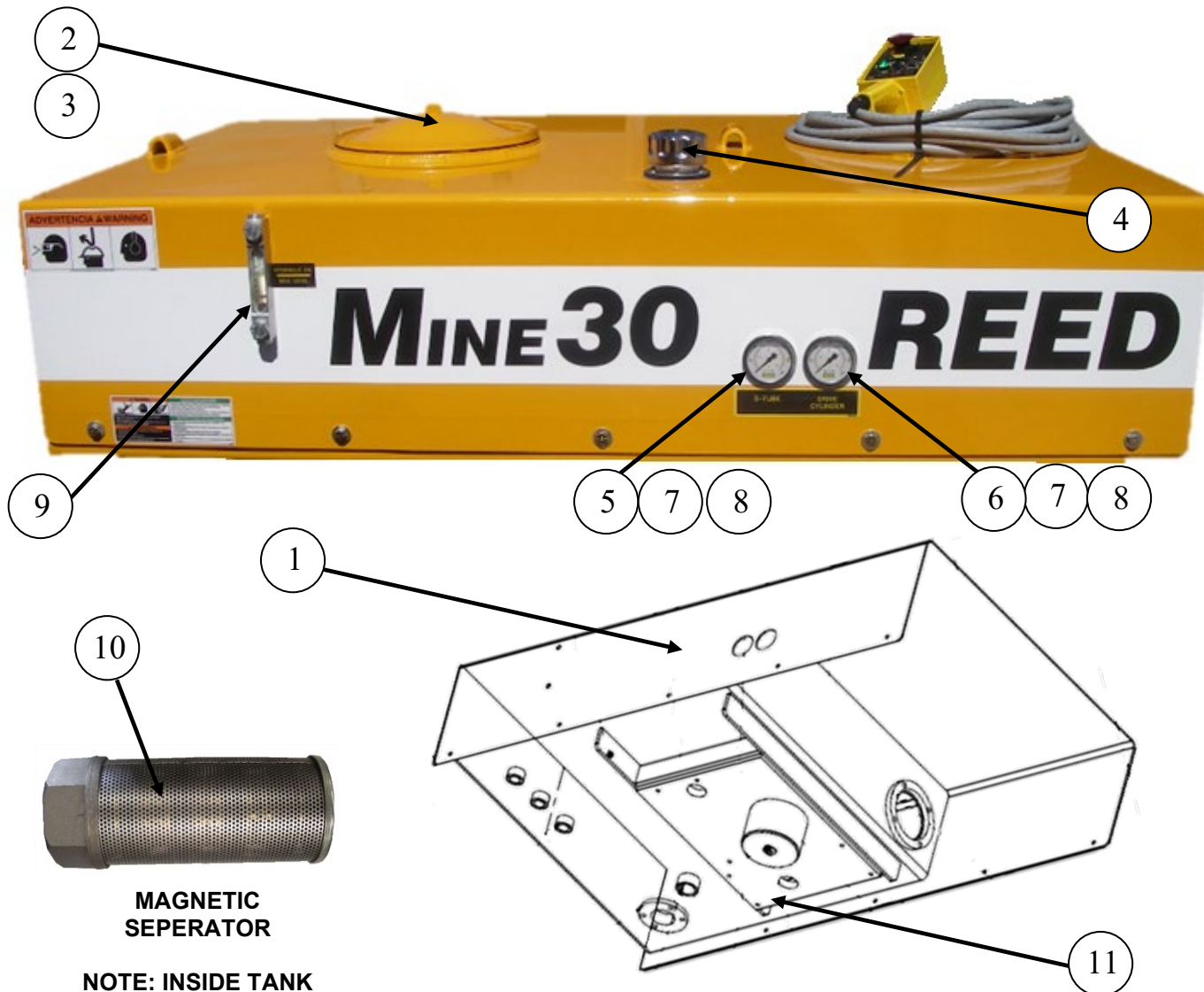




# Mine 30 PLC PARTS

13822 Oaks Avenue  
Chino, CA 91710  
reedpumps.com  
909-287-2100

## HYDRAULIC TANK ASSEMBLY



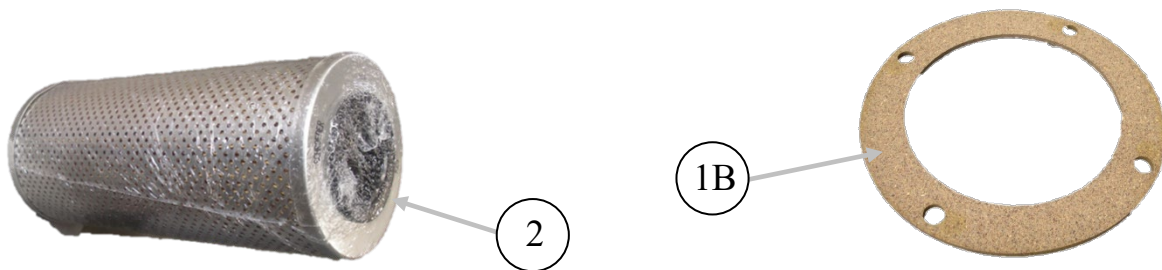
**MAGNETIC  
SEPERATOR**

**NOTE: INSIDE TANK**

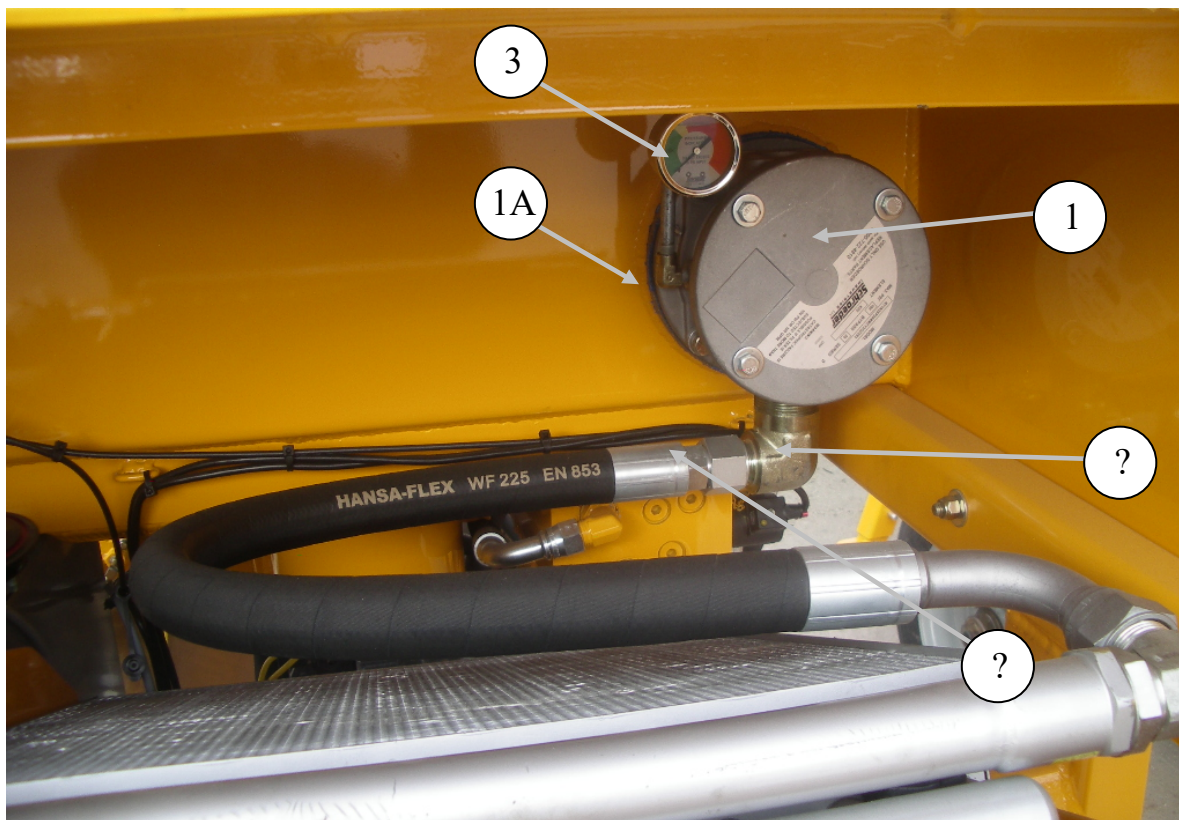
| ID # | PART #  | PART DESCRIPTION                | QUANTITY |    |
|------|---------|---------------------------------|----------|----|
|      | 89453   | HYDRAULIC GR M30                |          | EA |
| 1    | 88632   | HYDRAULIC TANK WELDMENT         | 1        | EA |
| 2    | BW10171 | ENDCOVER KIT, 12 IN W/DRAIN     | 1        | EA |
| 3    | 85867   | GASKET                          | 1        | EA |
| 4    | 74508   | FILLER BREATHER W/CAP           | 1        | EA |
| 5    | 70366   | PRESSURE GAUGE, 3000 PSI/BAR    | 1        | EA |
| 6    | 74562   | PRESSURE GAUGE, 6000 PSI/BAR    | 1        | EA |
| 7    | 78594   | MINICHECK GAUGE ADAPTER, ¼" NPT | 2        | EA |
| 8    | 78608   | MINICHECK HOSE, 48"             | 2        | EA |
| 9    | 74509   | GAUGE-SIGHT-TEMPERTURE          | 1        | EA |
| 10   | 79247   | MAGNETIC SEPERATOR              | 1        | EA |
| 11   | 801025  | DRAIN COCK, ¼ NPT               | 1        | EA |



### HYDRAULIC ASSEMBLY CONTINUE



**FILTER ELEMENT**  
**NOTE: INSIDE TANK**



| ID # | PART #    | PART DESCRIPTION                   | QUANTITY |    |
|------|-----------|------------------------------------|----------|----|
| 1    | BW10027   | RETURN FILTER                      | 1        | EA |
| 1A   | BW102241  | SEAL KIT FOR RETURN FILTER BW10027 | 1        | EA |
| 1B   | 85282-G   | GASKET-CORK                        | 1        | EA |
| 2    | BW10106-1 | FILTER ELEMENT 25 MICRON           | 1        | EA |
| 3    | 85575     | GAUGE, PN 85282 RETURN FILTER      | 1        | EA |
| 4    | ?         | 90 DEGREE FITTING                  | 1        | EA |
| 5    | ?         | HOSE                               | 1        | EA |

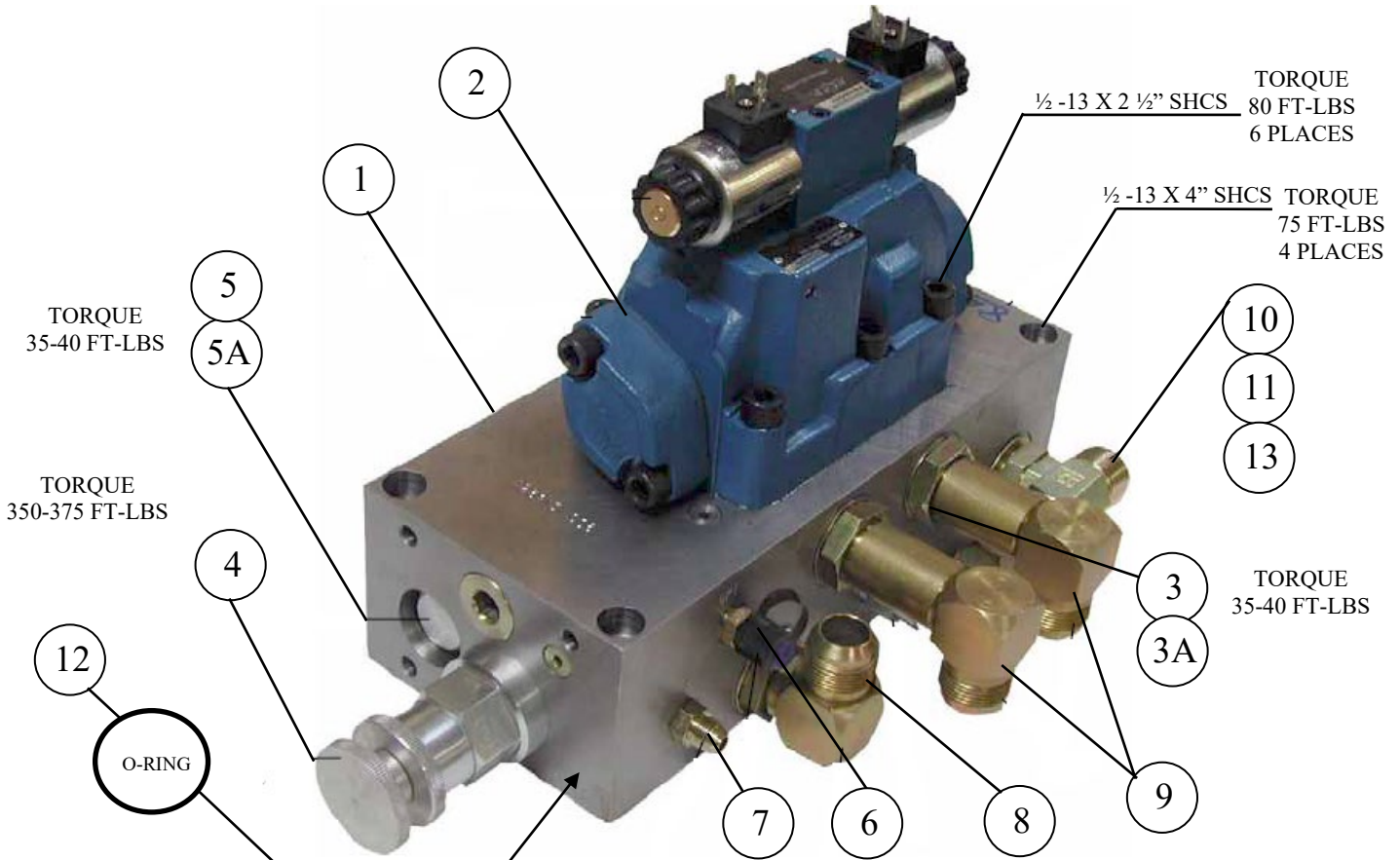


# Mine 30 PLC PARTS

13822 Oaks Avenue  
Chino, CA 91710  
reedpumps.com  
909-287-2100

## MANIFOLDS

### DRIVE CYLINDER CIRCUIT MANIFOLD ASSEMBLY



| ID # | PART #    | PART DESCRIPTION                    | QUANTITY |    |
|------|-----------|-------------------------------------|----------|----|
|      | 85248-M   | MANIFOLD, CYLINDER CIRCUIT ASSEMBLY | 1        | EA |
| 1    | 86820     | MANIFOLD, MACHINED CYLINDER CIRCUIT | 1        | EA |
| 2    | 85689     | SOLENOID VALVE, DRIVE CYLINDER      | 1        | EA |
| 3    | 85696     | RELIEF VALVE CARTRIDGE              | 1        | EA |
| 3A   | 85696-SK  | SEAL KIT                            |          |    |
| 4    | 86952-003 | MOTORIZED FLOW CONTROL FOR B SER    | 1        | EA |
| 5    | 85698     | CHECK VALVE CARTRIDGE               | 1        | EA |
| 5A   | 85698-SK  | SEAL KIT                            |          |    |
| 6    | 78593     | MINICHECK ADAPTOR, SAE 4            | 1        | EA |
| 7    | 86900-002 | ADAPTOR, MB-MJ-4-6                  | 1        | EA |
| 8    | 86728-023 | ELBOW, MB-MJ45-16-16                | 1        | EA |
| 9    | 86904-012 | ELBOW, MB-MJ90LL-16-16              | 2        | EA |
| 10   | 86945-001 | TEE, MJ-MB-MJT-16                   | 1        | EA |
| 11   | 86905-016 | ELBOW, MJ-FJX90-16-16               | 1        | EA |
| 12   | 86946     | O-RING #230 BUNA 90DUR              | 1        | EA |
| 13   | 86948-001 | REDUCER, JIC MJ-FJ-10-16            | 1        | EA |

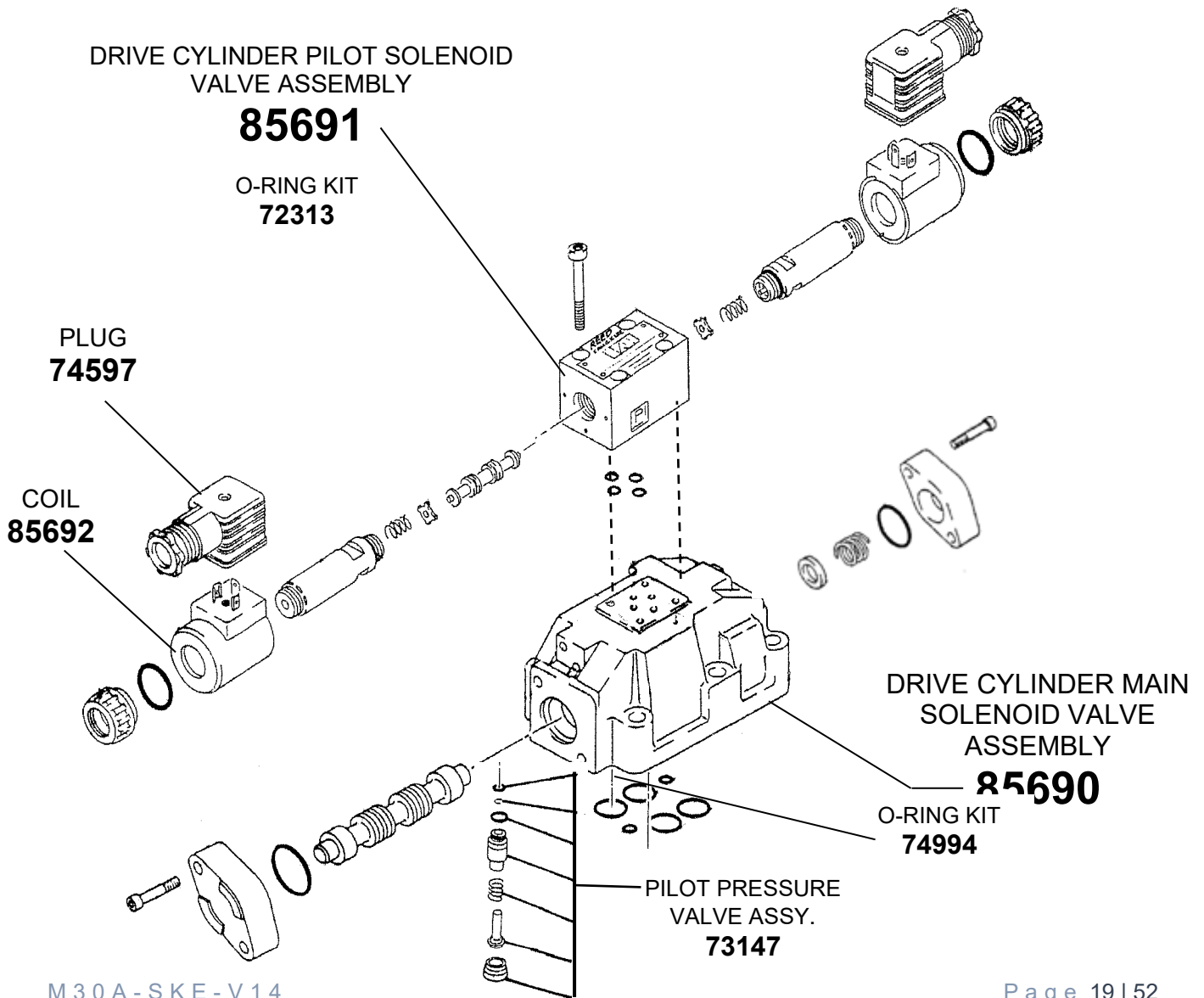
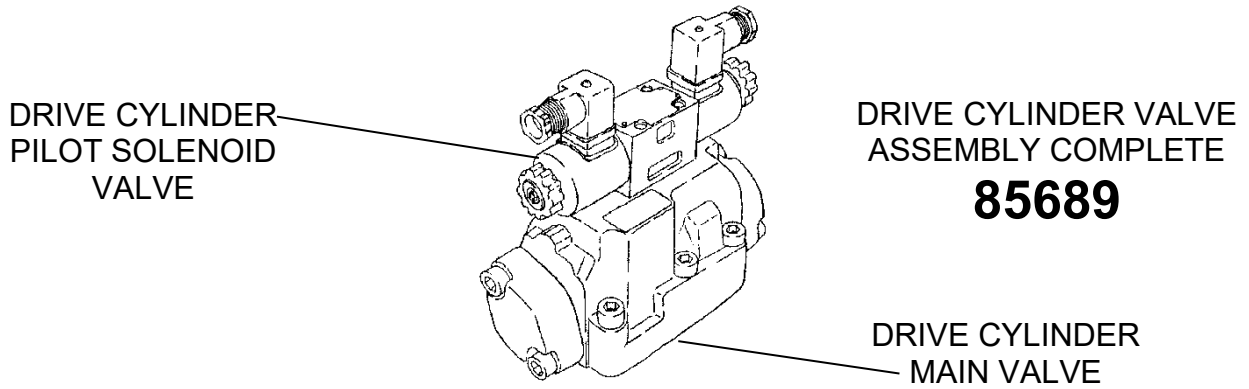


# Mine 30 PLC

## PARTS

13822 Oaks Avenue  
Chino, CA 91710  
reedpumps.com  
909-287-2100

### DRIVE CYLINDER CIRCUIT MANIFOLD ASSEMBLY CONT.



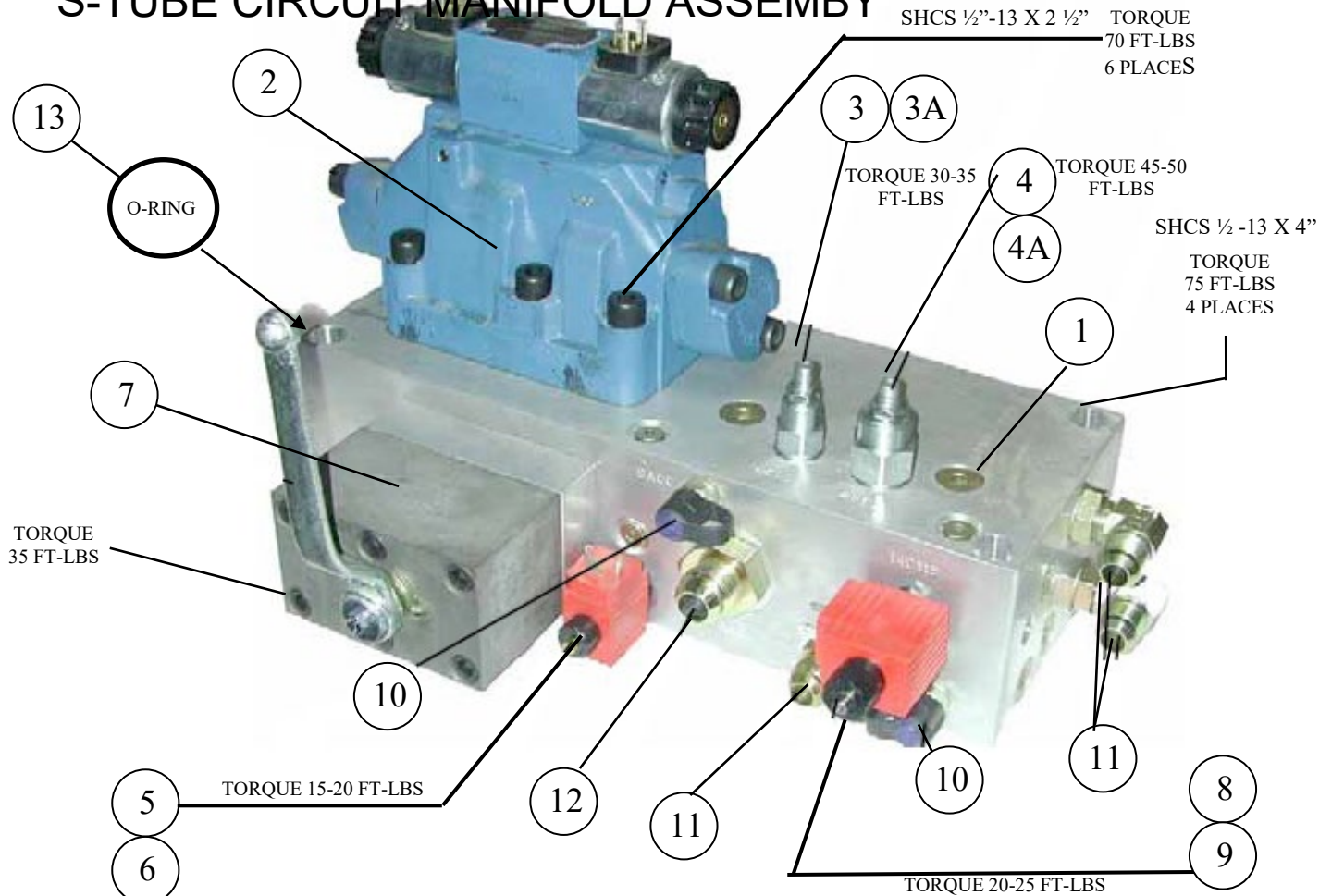


# Mine 30 PLC

## PARTS

13822 Oaks Avenue  
Chino, CA 91710  
reedpumps.com  
909-287-2100

### S-TUBE CIRCUIT MANIFOLD ASSEMBLY



| ID # | PART #    | PART DESCRIPTION                  | QUANTITY |    |
|------|-----------|-----------------------------------|----------|----|
|      | 89631     | MANIFOLD, S-TUBE CIRCUIT ASSEMBLY |          |    |
| 1    | 89602     | MANIFOLD, MACHINED S-TUBE CIRCUIT | 1        | EA |
| 2    | 85693     | SOLENOID VALVE, S-TUBE SHIFT      | 1        | EA |
| 3    | 85704     | UNLOADER VALVE CARTRIDGE, (QCDB)  | 1        | EA |
| 3A   | 85704-SK  | SEAL KIT                          |          |    |
| 4    | 85703     | RELIEF VALVE CARTRIDGE, (RVEA)    | 1        | EA |
| 4A   | 85703-SK  | SEAL KIT                          |          |    |
| 5    | 87246     | SOLENOID VALVE CARTRIDGE, (12CHS) | 1        | EA |
| 6    | 87247     | COIL, 12VDC,                      | 1        | EA |
| 7    | 85705     | BALL VALVE,                       | 1        | EA |
| 8    | 87248     | SOLENOID VALVE CARTRIDGE, (14CHS) | 1        | EA |
| 9    | 87249     | COIL, 12V DC FOR PN-87248         | 1        | EA |
| 10   | 78593     | MINICHECK ADAPTOR, SAE            | 2        | EA |
| 11   | 86728-014 | ELBOW, MB-MJ90-10-10              | 2        | EA |
| 12   | 86900-027 | ADAPTOR, MB-MJ-16-12              | 1        | EA |
| 13   | 86946     | O-RING #230 BUNA 90DUR            | 1        | EA |



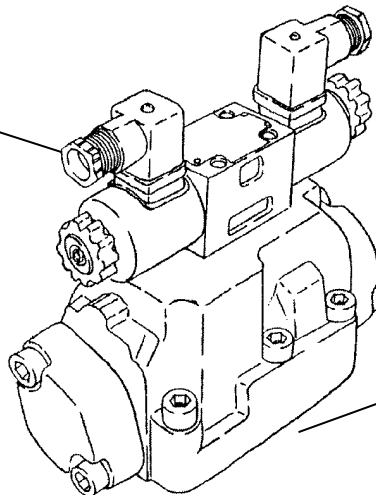


# Mine 30 PLC PARTS

13822 Oaks Avenue  
Chino, CA 91710  
reedpumps.com  
909-287-2100

## S-TUBE CIRCUIT MANIFOLD ASSEMBLY CONT.

S-TUBE PILOT  
SOLENOID  
VALVE



SWING TUBE VALVE  
ASSEMBLY COMPLETE  
**85693**

S-TUBE MAIN  
VALVE

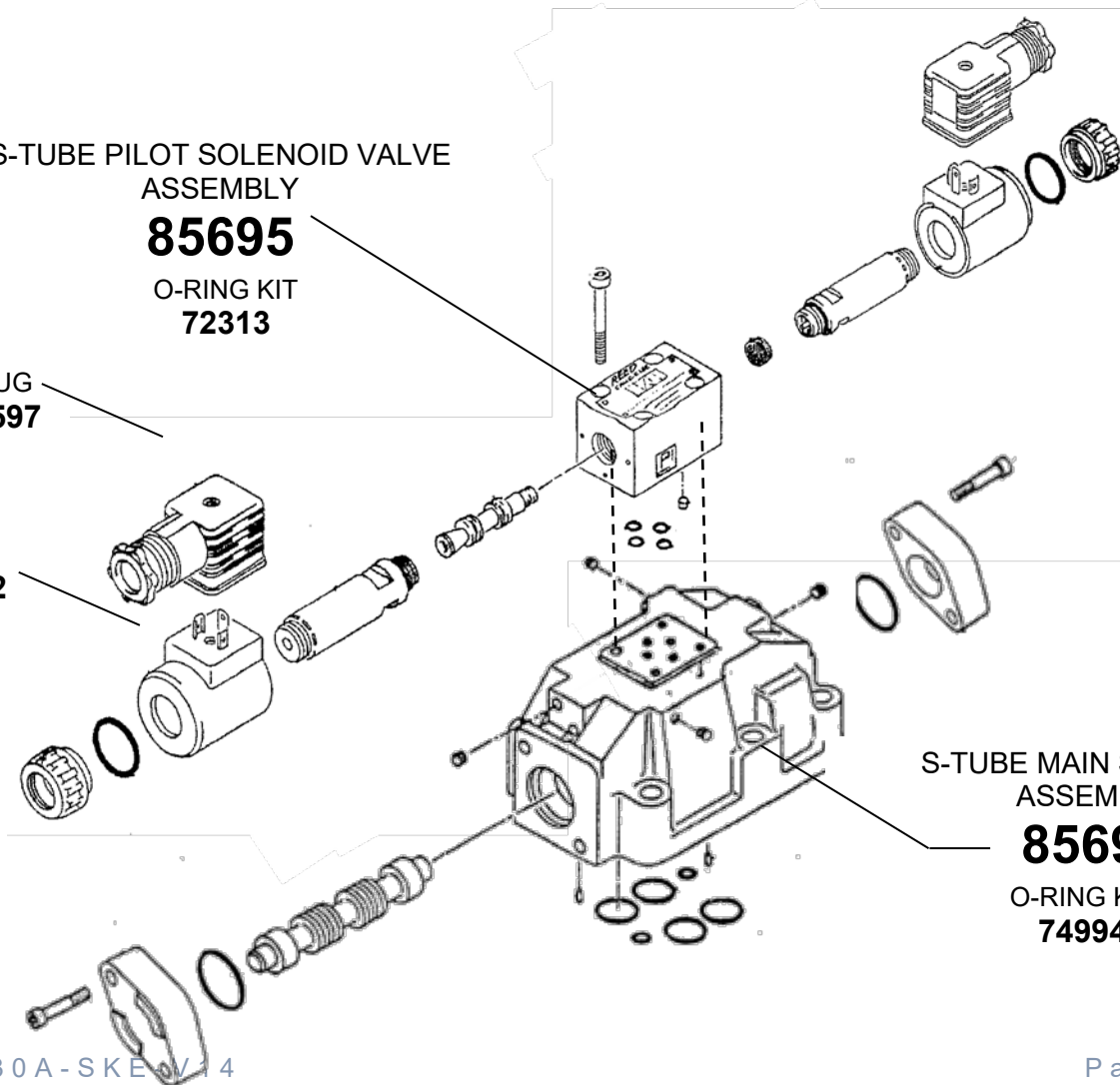
S-TUBE PILOT SOLENOID VALVE  
ASSEMBLY

**85695**

O-RING KIT  
**72313**

PLUG  
**74597**

COIL  
**85692**

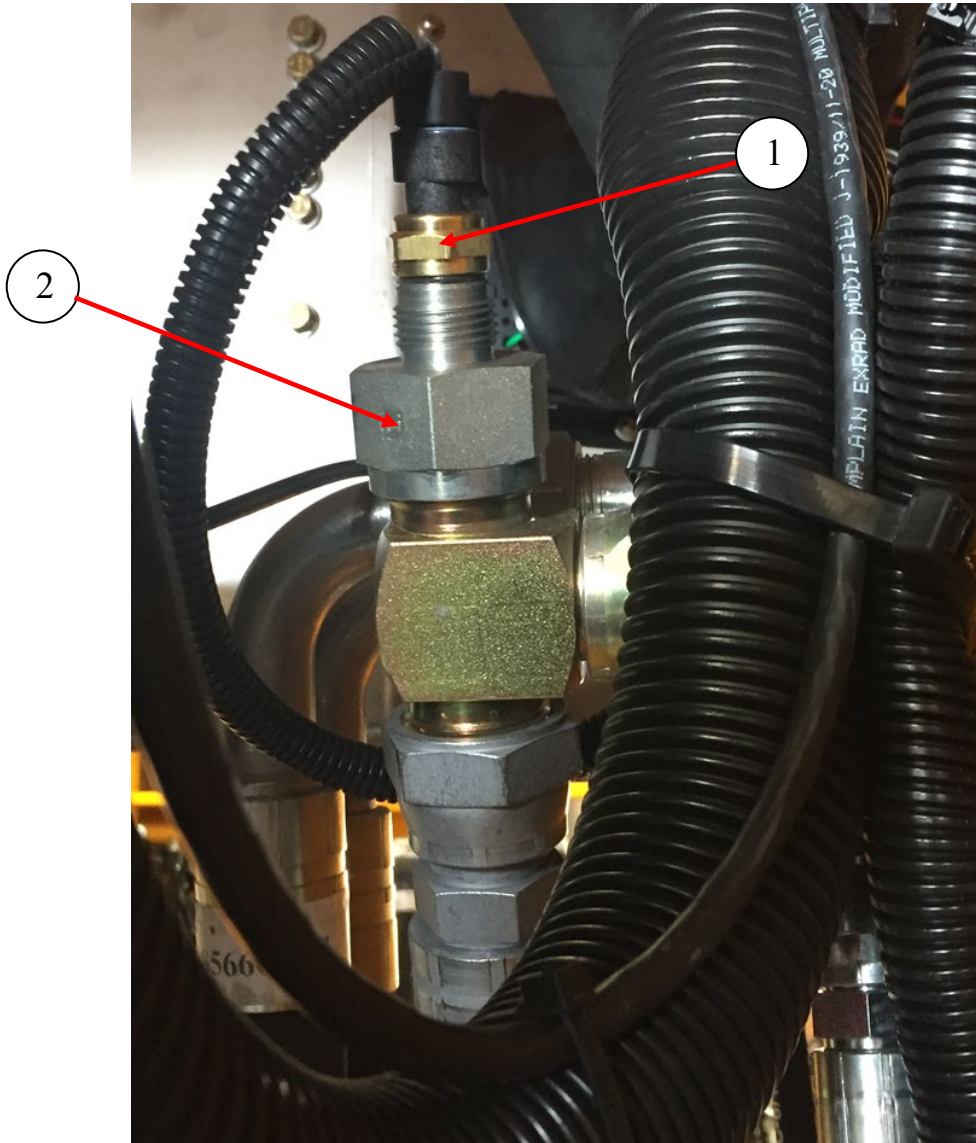


S-TUBE MAIN SOLENOID  
ASSEMBLY

**85694**

O-RING KIT  
**74994**

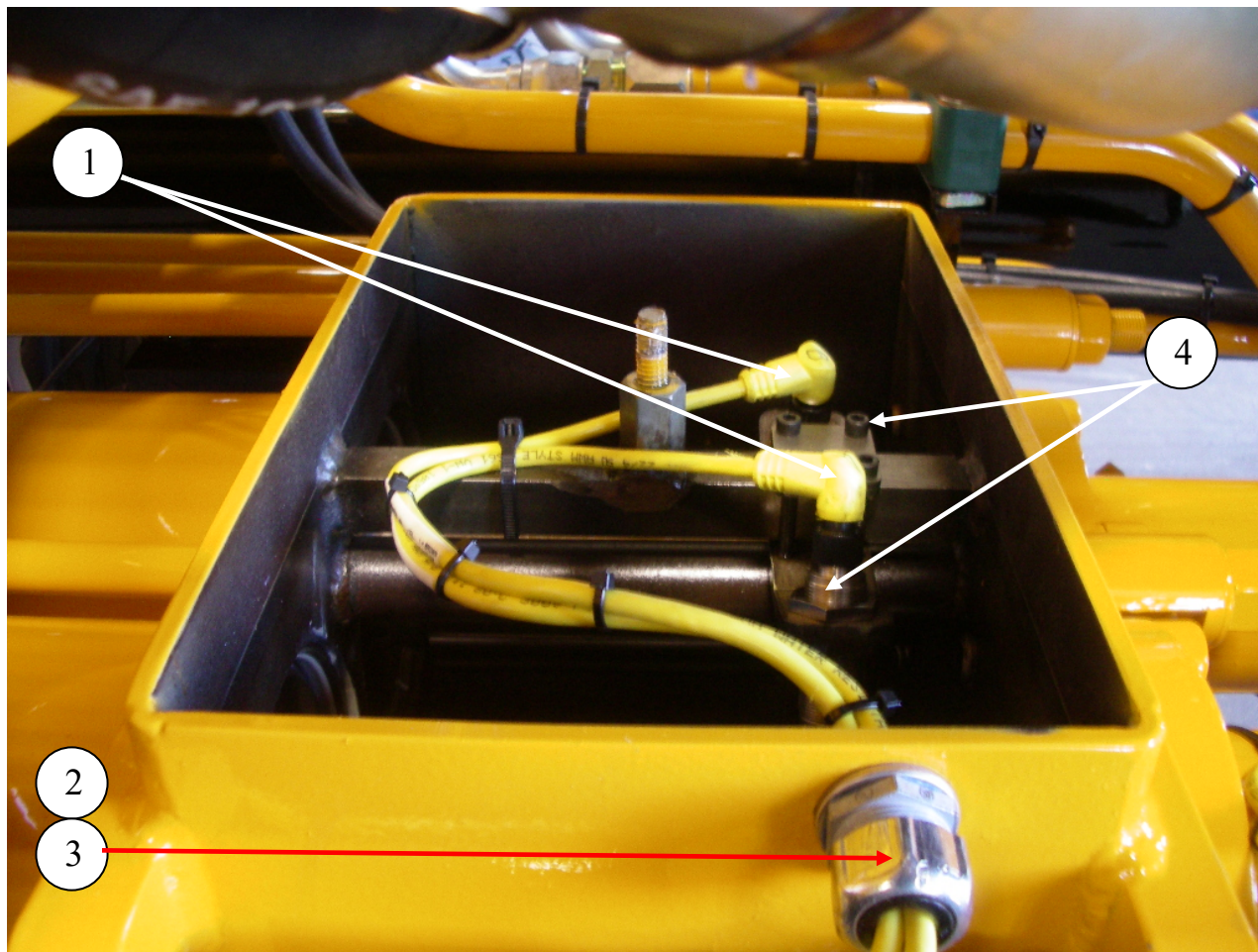
## TEMPERTURE SENSOR HYD



| ID # | PART #   | PART DESCRIPTION         | QUANTITY |    |
|------|----------|--------------------------|----------|----|
| 1    | W-105568 | SENSOR TEMPATURE, 55 DEG | 1        | EA |
| 2    | 89593    | ADAPTER TEMP SENSOR      | 1        | EA |

### ELECTRICAL GROUP

### PROXIMITY SWITCHES

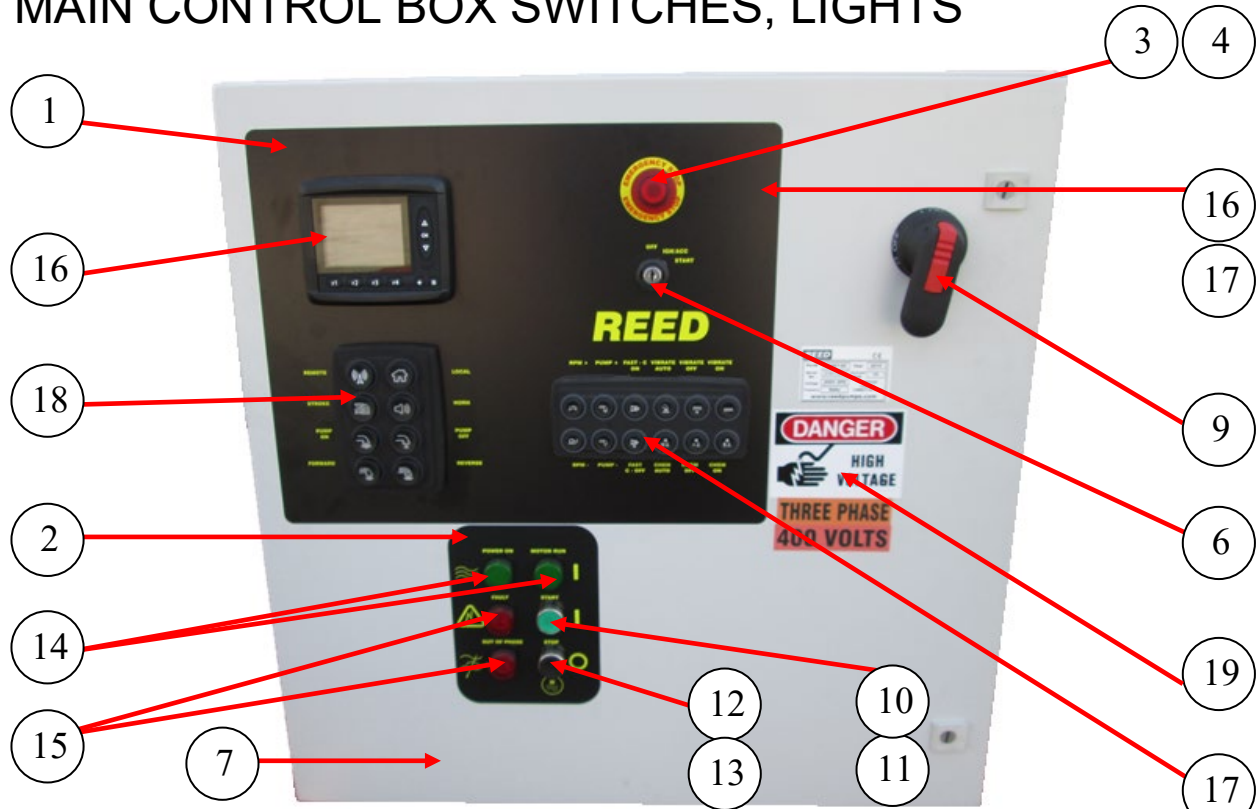


| ID # | PART # | PART DESCRIPTION           | QUANTITY |    |
|------|--------|----------------------------|----------|----|
| 1    | 77990  | CABLE, PROXIMITY SWITCH    | 2        | EA |
| 2    | 10522  | STRAIN RELIEF              | 1        | EA |
| 3    | 10528  | NUT 1/2" BONDING TYPE LOCK | 1        | EA |
| 4    | 77998  | PROXIMITY SENSOR NPN       | 2        | EA |



### CONTROLS

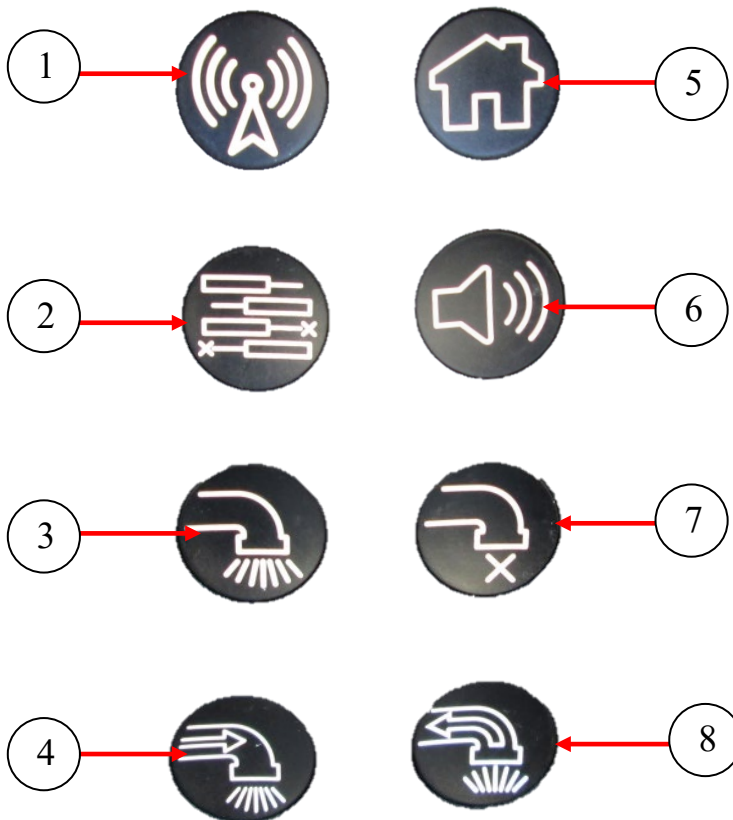
### MAIN CONTROL BOX SWITCHES, LIGHTS



| ID # | PART #   | PART DESCRIPTION                         | QUANTITY |    |
|------|----------|--|----------|----|
|      | 85997-72 | CONTROL PANEL M SER. 50 HP 460V/50HZ/3PH |          | EA |
| 1    | 89123    | DECAL PLC CONTROL, ELECTRIC PUMPS        | 1        | EA |
| 2    | 89255    | DECAL, START-STOP, ELECTRIC MOTOR        | 1        | EA |
| 3    | 89090    | EMERGENCY STOPBUTTON HEAVY DUTY          | 1        | EA |
| 4    | 89090-L  | ILLUMINATED E-STOP RING                  | 1        | EA |
| 5    | 89090-C  | DC/DC CONVERTER 12VDC TO 24VDC           | 1        | EA |
| 6    | 89004    | KEY SWITCH SEALED                        | 1        | EA |
| 7    | 88044    | ENCLOSURE 30-30-12"                      | 1        | EA |
| 8    | 88045    | PANEL FOR 88044 ENCLOSURE                | 1        | EA |
| 9    | 88047    | HANDLE FOR 88046 CIRCUIT BREAKER         | 1        | EA |
| 10   | 89585    | PUSHBUTTON GREEN                         | 1        | EA |
| 11   | 89585-NO | CONTACT BLOCK N.O.                       | 1        | EA |
| 12   | 89585-1  | PUSHBUTTON BLACK                         | 1        | EA |
| 13   | 89585-NC | CONTACT BLOCK N.C.                       | 1        | EA |
| 14   | 88148    | LIGHT GREEN 120VAC 22M                   | 2        | EA |
| 15   | 88149    | LIGHT RED 120VAC 22M                     | 2        | EA |
| 16   | 88918    | MD3, PARKER DISPLAY MODULE               | 1        | EA |
| 17   | 88978-2  | KEYPAD 2X6 SWITCH, PROGRAMMABLE          | 1        | EA |
| 18   | 88979-3  | KEYPAD 2X4 SWITCH, PROGRAMMABLE          | 1        | EA |
| 19   | 74306    | DECAL, HIGH VOLTAGE                      | 1        | EA |

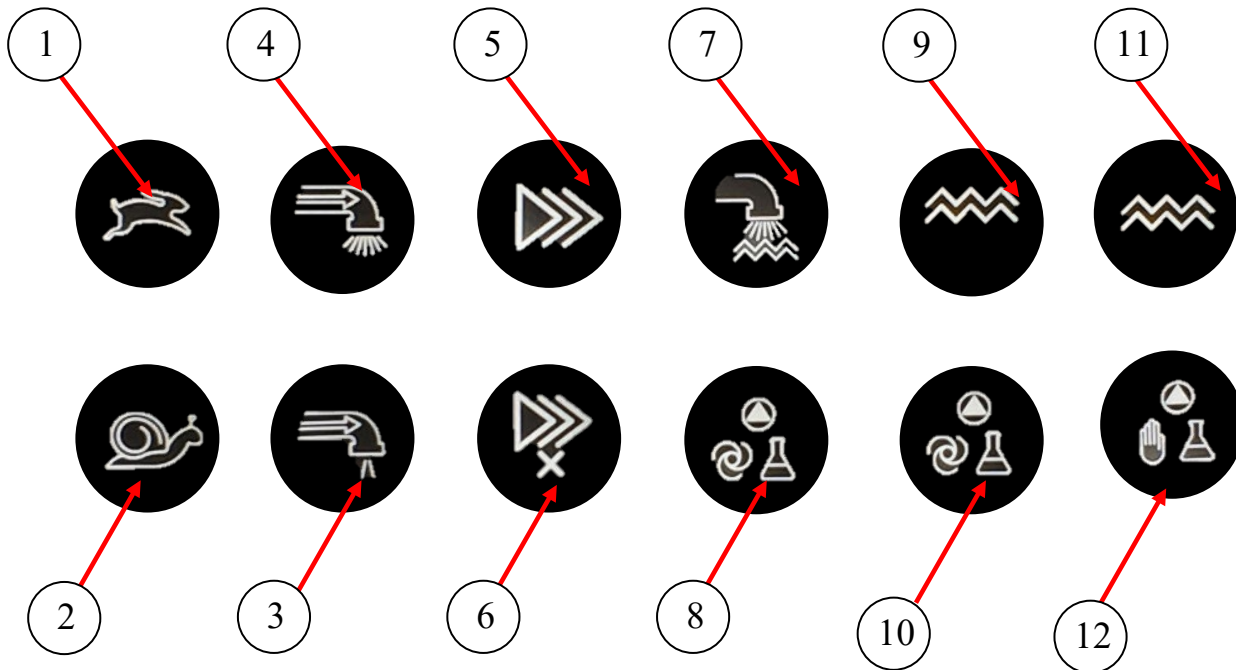


### KEY PAD SWITCHES INSERT KIT



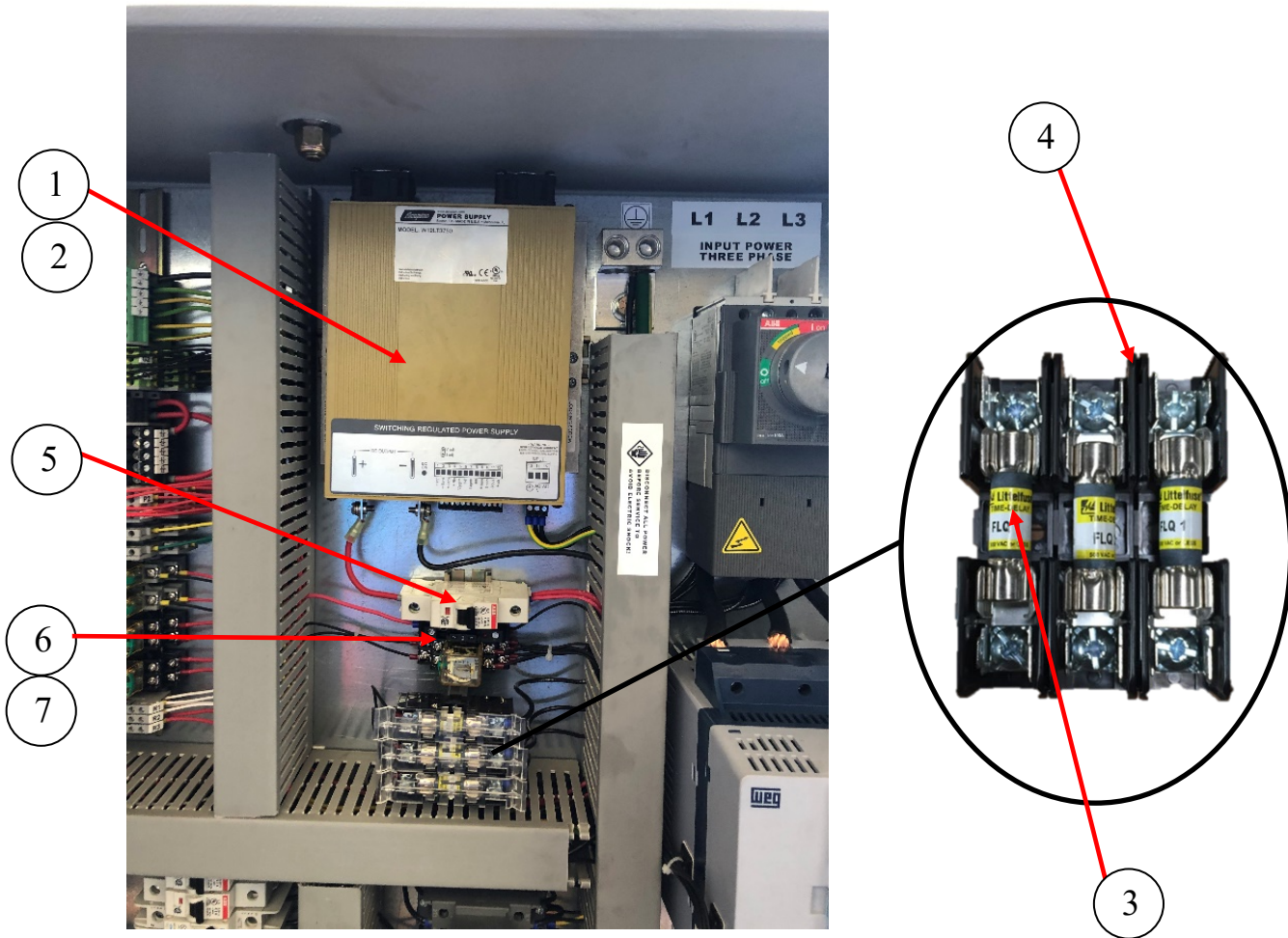
| ID # | PART #  | PART DESCRIPTION                    | QUANTITY |    |
|------|---------|-------------------------------------|----------|----|
|      | 89022   | INSERT KIT FOR PLC SWITCH FUNCTIONS |          |    |
| 1    | 89022-2 | INSERT,REMOTE ICON                  | 1        | EA |
| 2    | 89022-4 | INSERT,PRESSURE A/B ICON            | 1        | EA |
| 3    | 89022-5 | INSERT, PUMP ON ICON                | 1        | EA |
| 4    | 89022-7 | INSERT,PUMP FORWARDICON             | 1        | EA |
| 5    | 89022-1 | INSERT,PUMP LOCAL ICON              | 1        | EA |
| 6    | 89022-3 | INSERT, HORN ICON                   | 1        | EA |
| 7    | 89022-6 | INSERT, PUMP OFF ICON               | 1        | EA |
| 8    | 89022-8 | INSERT, PUMP REVERSE ICON           | 1        | EA |

### KEY PAD SWITCHES INSERT KIT CONT.



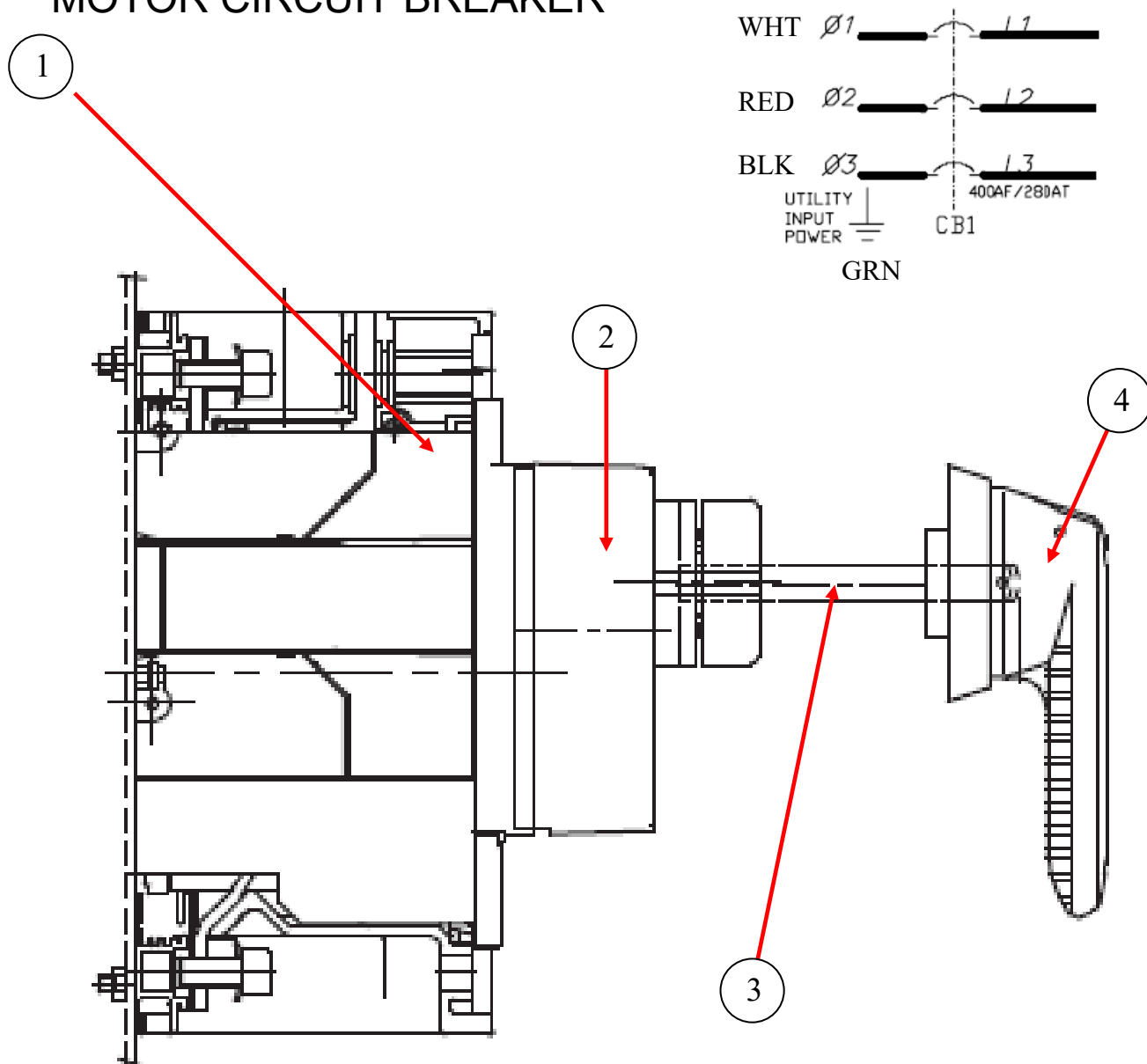
| ID # | PART #   | PART DESCRIPTION                    | QUANTITY |    |
|------|----------|-------------------------------------|----------|----|
|      | 89022    | INSERT KIT FOR PLC SWITCH FUNCTIONS |          |    |
| 1    | 879022-9 | INSERT, THROTTLE GAIN ICON          | 1        | EA |
| 2    | 87022-10 | INSERT, TROTTLLE DROP ICON          | 1        | EA |
| 3    | 87022-11 | INSERT, PUMP VOLUME (-)             | 1        | EA |
| 4    | 87022-12 | INSERT, PUMP VOLUME (+)             | 1        | EA |
| 5    | 87022-13 | INSERT, FASCHANGE ON ICON           | 1        | EA |
| 6    | 87022-14 | INSERT, FASCHANGE OFF ICON          | 1        | EA |
| 7    | 87022-15 | INSERT, VIBRATOR AUTO ICON          | 1        | EA |
| 8    | 87022-16 | INSERT, CEM AUTO ICON               | 1        | EA |
| 9    | 87022-17 | INSERT, VIBRATOR OFF ICON           | 1        | EA |
| 10   | 87022-18 | INSERT, CEM OFF ICON                | 1        | EA |
| 11   | 87022-19 | INSERT, VIBRATOR ON ICOM            | 1        | EA |
| 12   | 87022-20 | INSERT, CEM ON ICOM                 | 1        | EA |

### 12VDC-35 AMP POWER SUPPLY



| ID # | PART #    | PART DESCRIPTION                   | QUANTITY |    |
|------|-----------|------------------------------------|----------|----|
| 1    | 88059-2   | POWER SUPPLY, 12VDC 35 AMP ACOPIAN | 1        | EA |
| 2    | 88059-2DR | DIN RAIL KIT                       | 1        | EA |
| 3    | 88069-1   | FUSE TIME DELAY                    | 3        | EA |
| 4    | 88053     | FUSE BLOCK                         | 1        | EA |
| 5    | 88058-1   | CIRCUIT BREAKER, 40 AMP            | 1        | EA |
| 6    | 88881     | FUSE HOLDERS DIN RAIL MOUNT        | 1        | EA |
| 7    | 89501     | FUSE, ATO 1 AMP                    | 1        | EA |

### MOTOR CIRCUIT BREAKER



| ID # | PART # | PART DESCRIPTION                           | QUANTITY |    |
|------|--------|--|----------|----|
| 1    | 88098  | CIRCUIT BREAKER 100 AMP 3 POLE LS/IU (CB1) | 1        | EA |
| 2    | 88048  | MECHANISM FOR CIRCUIT BREAKER              | 1        | EA |
| 3    | 88049  | SHAFT FOR 88047 HANDLES                    | 1        | EA |
| 4    | 88047  | HANDLE CIRCUIT BREAKER                     | 1        | EA |

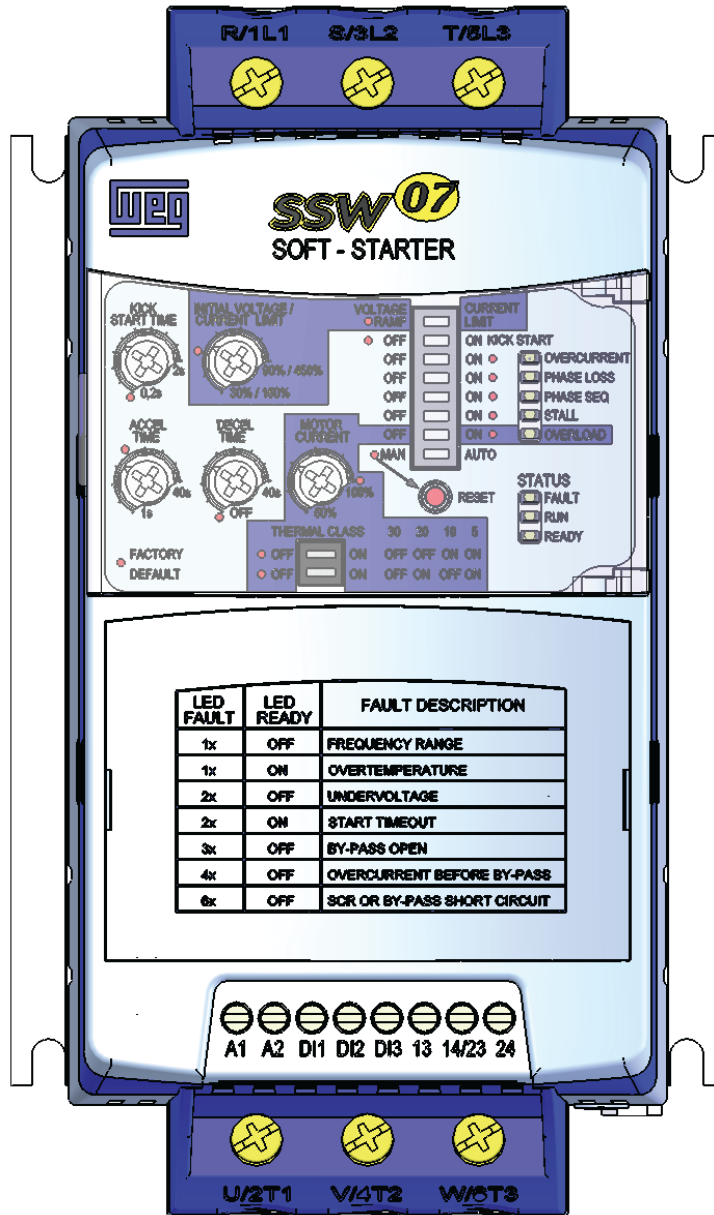


# Mine 30 PLC

## PARTS

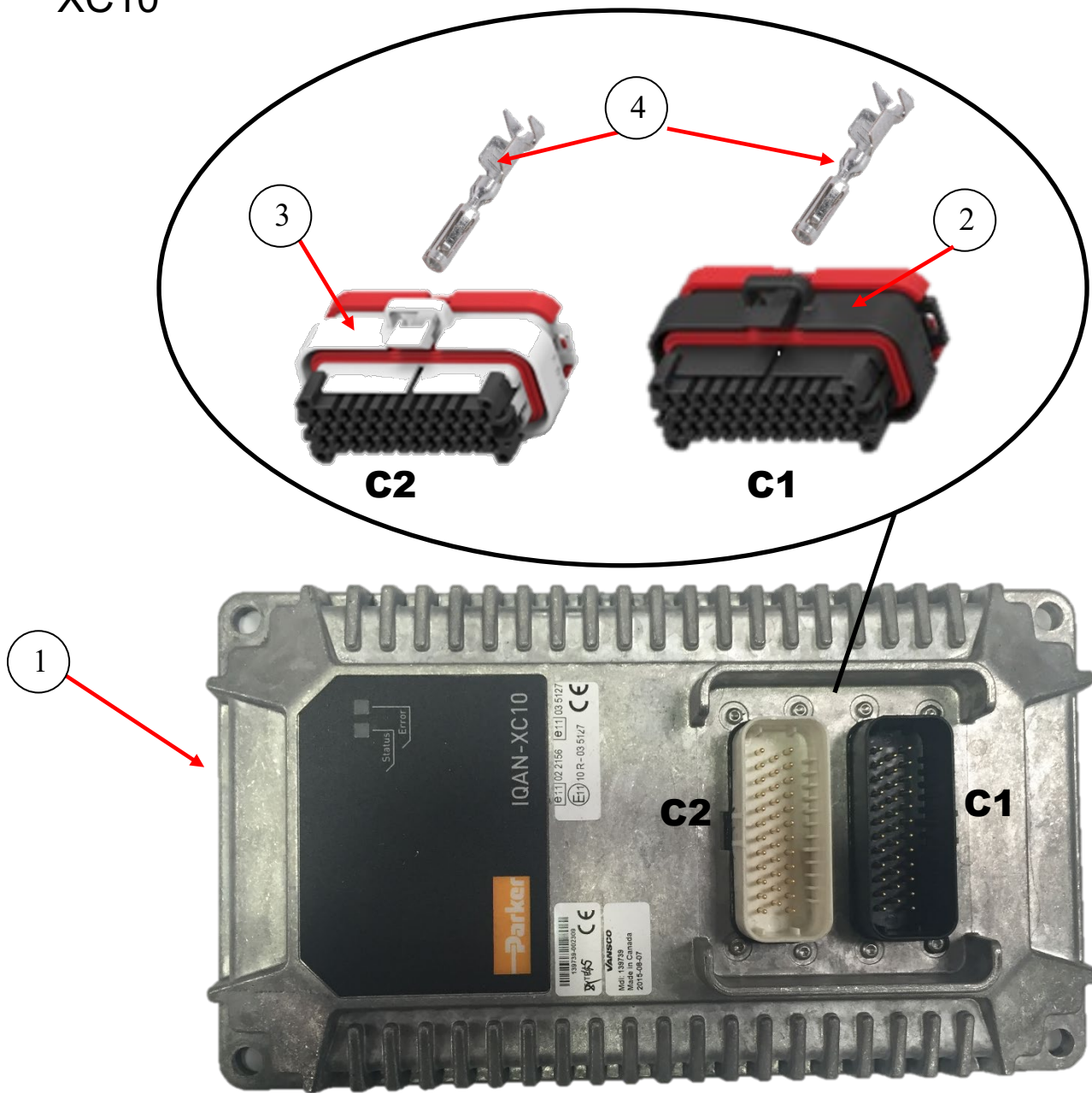
13822 Oaks Avenue  
 Chino, CA 91710  
 reedpumps.com  
 909-287-2100

### SOFT START



| ID # | PART #  | PART DESCRIPTION | QUANTITY |    |
|------|---------|------------------|----------|----|
| 1    | 88437-1 | SOFT START       | 1        | EA |

### XC10

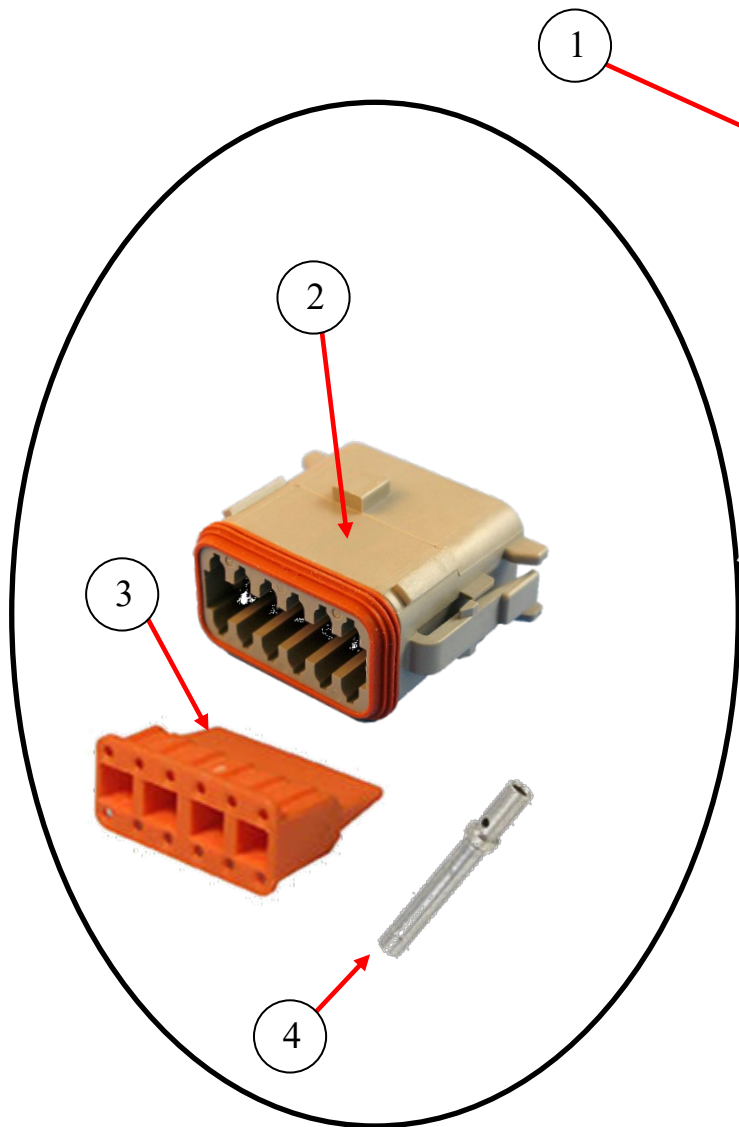


| ID # | PART #  | PART DESCRIPTION                  | QUANTITY |    |
|------|---------|-----------------------------------|----------|----|
| 1    | 88919   | XC10, PARKER EXPANTION MODULE     | 1        | EA |
| 2    | 88945   | AMP, 35 POS SEAL PLUG, BLACK (C1) | 1        | EA |
| 3    | 88946   | AMP, 35 POS SEAL PLUG, WHITE (C2) | 1        | EA |
| 4    | 88945-S | AMP, CONTACT PIN (C1,C2)          | 40       | EA |



### MD3 DISPLAY MODULE

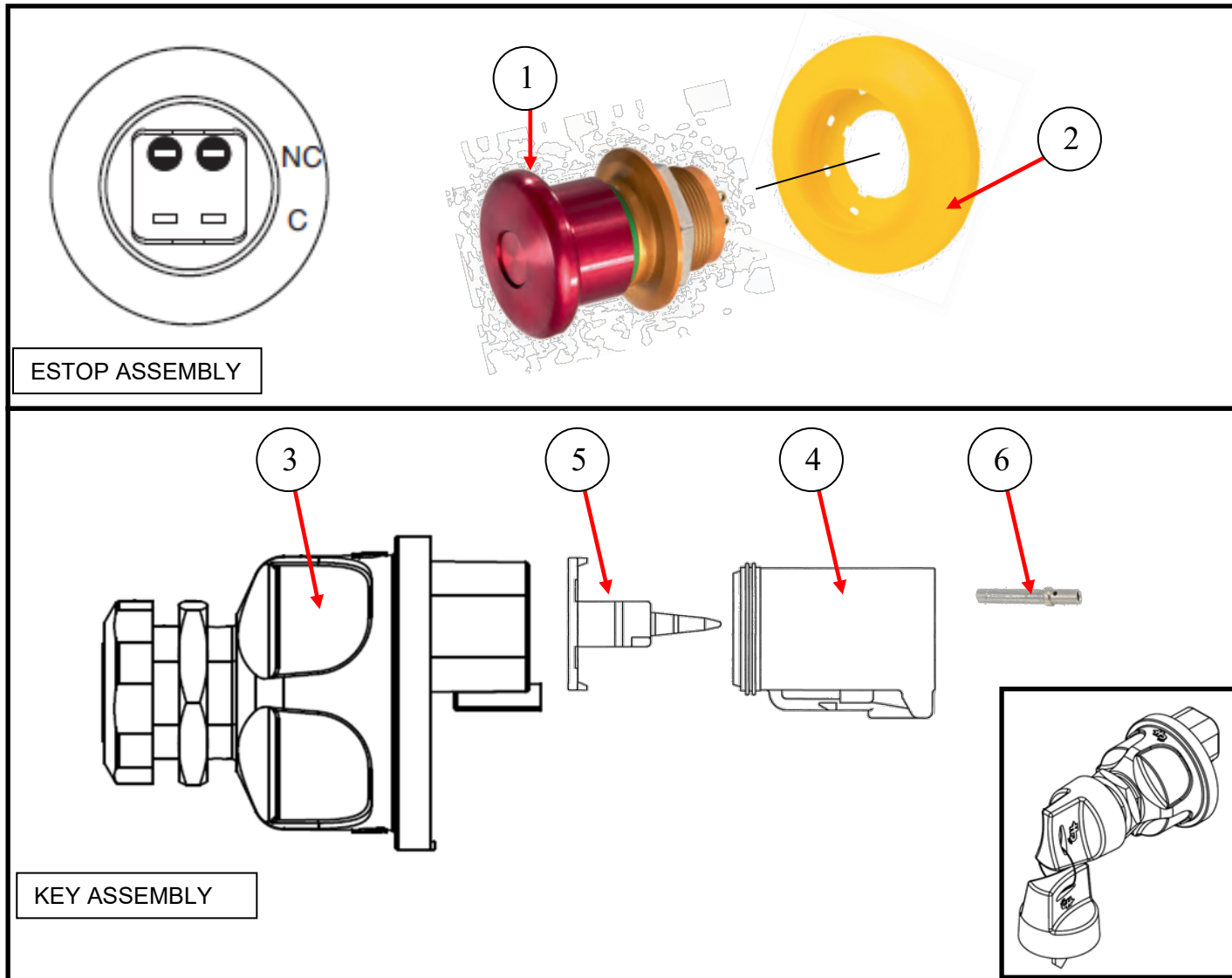
**FRONT**



**BACK**

| ID # | PART #  | PART DESCRIPTION                      | QUANTITY |    |
|------|---------|---------------------------------------|----------|----|
| 1    | 88918   | MD3, PARKER DISPLAY                   | 1        | EA |
| 2    | 88653   | PLUG DTM 12 WAY A KEY, GREY (C1)      | 1        | EA |
| 3    | 88653-2 | WEDGELOCK DTM 12 WAY PLUG (C1)        | 1        | EA |
| 4    | 88959   | CONTACT SOCKET SIZE 20 (7.5 AMP) (C1) | 9        | EA |

### ESTOP, KEY ASSEMBLY, PLUGS



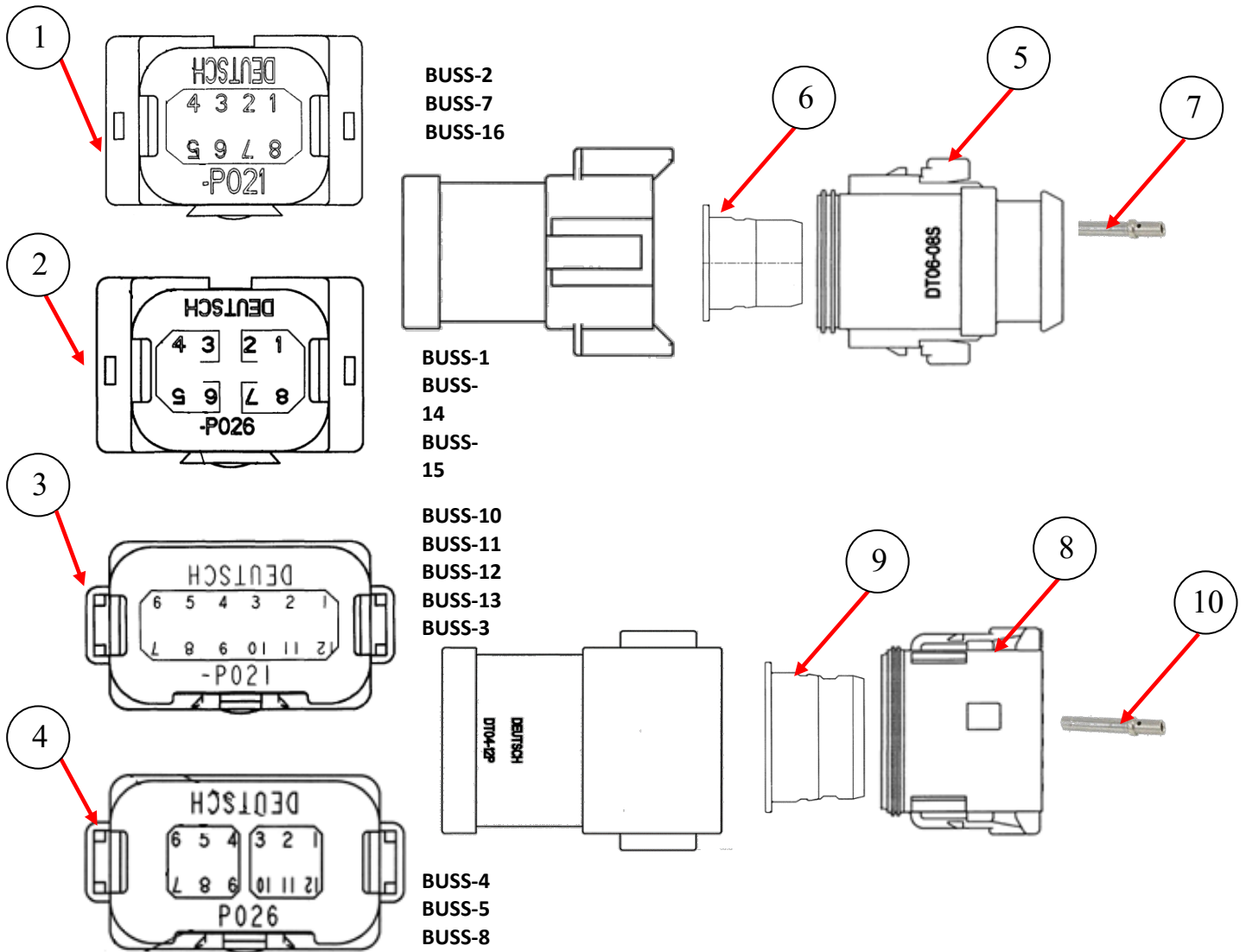
ESTOP ASSEMBLY

KEY ASSEMBLY

| ID # | PART #  | PART DESCRIPTION                 | QUANTITY |     |
|------|---------|----------------------------------|----------|-----|
| 1    | 89090   | EMERGENCY STOP BUTTON HEAVY DUTY | 1        | REF |
| 2    | 89090-L | ILLUMINATED E-STOP RING          | 1        | REF |
| 3    | 89004   | KEY SWITCH SEALED                | 1        | REF |
| 4    | 89107   | DEUSCH, DT06, 1X6                | 1        | QTY |
| 5    | 89108   | DEUTSCH WEDGE LOCK FOR 89107     | 1        | QTY |
| 6    | BW10147 | DEUTSCH CONTACT SOCKET, 16AWG    | 6        | QTY |

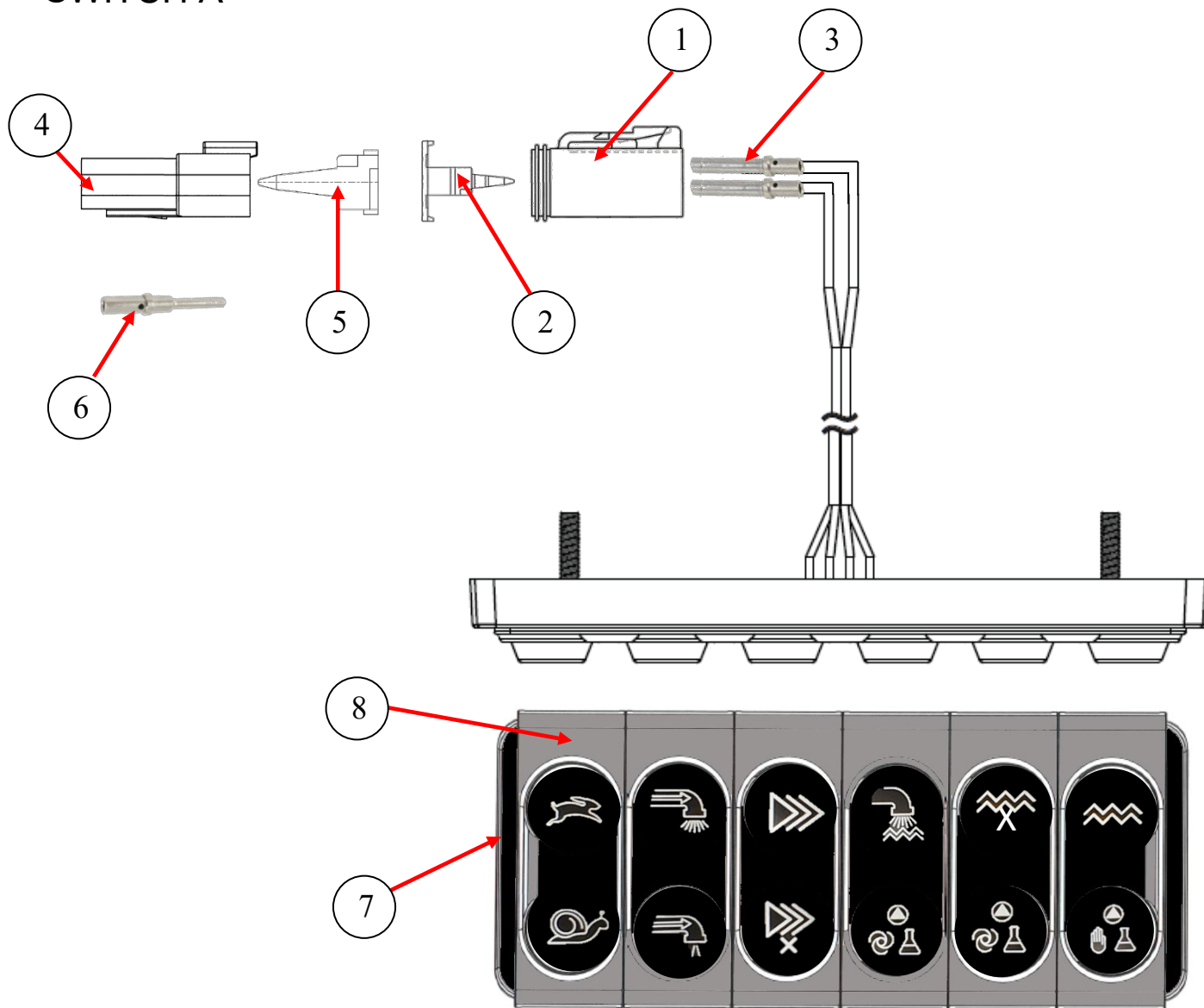


### BUSSES, CONNECTORS, PINS



| ID # | PART #  | PART DESCRIPTION                        | QUANTITY |    |
|------|---------|---|----------|----|
| 1    | 89180   | DEUTSCH DT04 BUS, 1X8 ( <b>SOLID</b> )  | 3        | EA |
| 2    | 89181   | DEUTSCH DT04 BUS, 2X4 ( <b>SPLIT</b> )  | 3        | EA |
| 3    | 89106   | DEUTSCH DT04 BUS, 1X12 ( <b>SOLID</b> ) | 5        | EA |
| 4    | 89103   | DEUTSCH DT04 BUS, 2X6 ( <b>SPLIT</b> )  | 3        | EA |
| 5    | 89179   | DEUTSCH DT06 PLUG, 2X4                  | 5        | EA |
| 6    | 88542-1 | WEDGE LOCK FOR 88542                    | 5        | EA |
| 7    | BW10147 | CONTACT SOCKET PIN, SIZE16, 13 AMP      |          | EA |
| 8    | 89104   | DEUTSCH DT06 PLUG, 2X6                  | 3        | EA |
| 9    | 89105   | WEDGE LOCK FOR 89104                    | 8        | EA |
| 10   | BW10147 | CONTACT SOCKET PIN, SIZE16, 13 AMP      |          | EA |

### SWITCH A

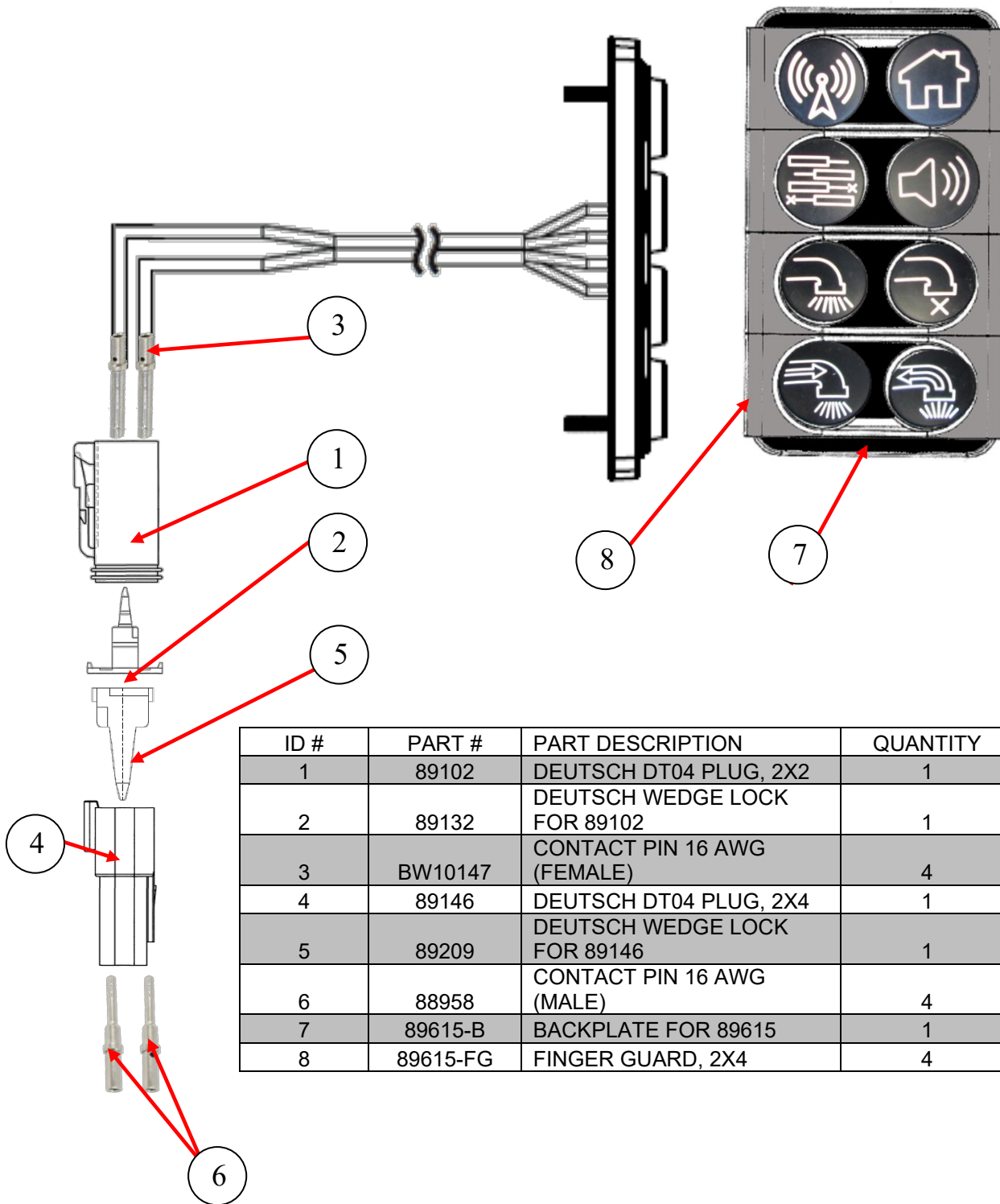


### CAN SWITCH A

| ID # | PART #   | PART DESCRIPTION             | QUANTITY |    |
|------|----------|------------------------------|----------|----|
| 1    | 89102    | DEUTSCH DT04 PLUG, 2X2       | 1        | EA |
| 2    | 89132    | DEUTSCH WEDGE LOCK FOR 89102 | 1        | EA |
| 3    | BW10147  | CONTACT PIN 16 AWG (FEMALE)  | 4        | EA |
| 4    | 89146    | DEUTSCH DT04 PLUG, 2X4       | 1        | EA |
| 5    | 89209    | DEUTSCH WEDGE LOCK FOR 89146 | 1        | EA |
| 6    | 88958    | CONTACT PIN 16 AWG (MALE)    | 6        | EA |
| 7    | 89616-B  | BACKPLATE FOR 89616          | 1        | EA |
| 8    | 89616-FG | FINGER GUARD, 2X6            | 6        | EA |

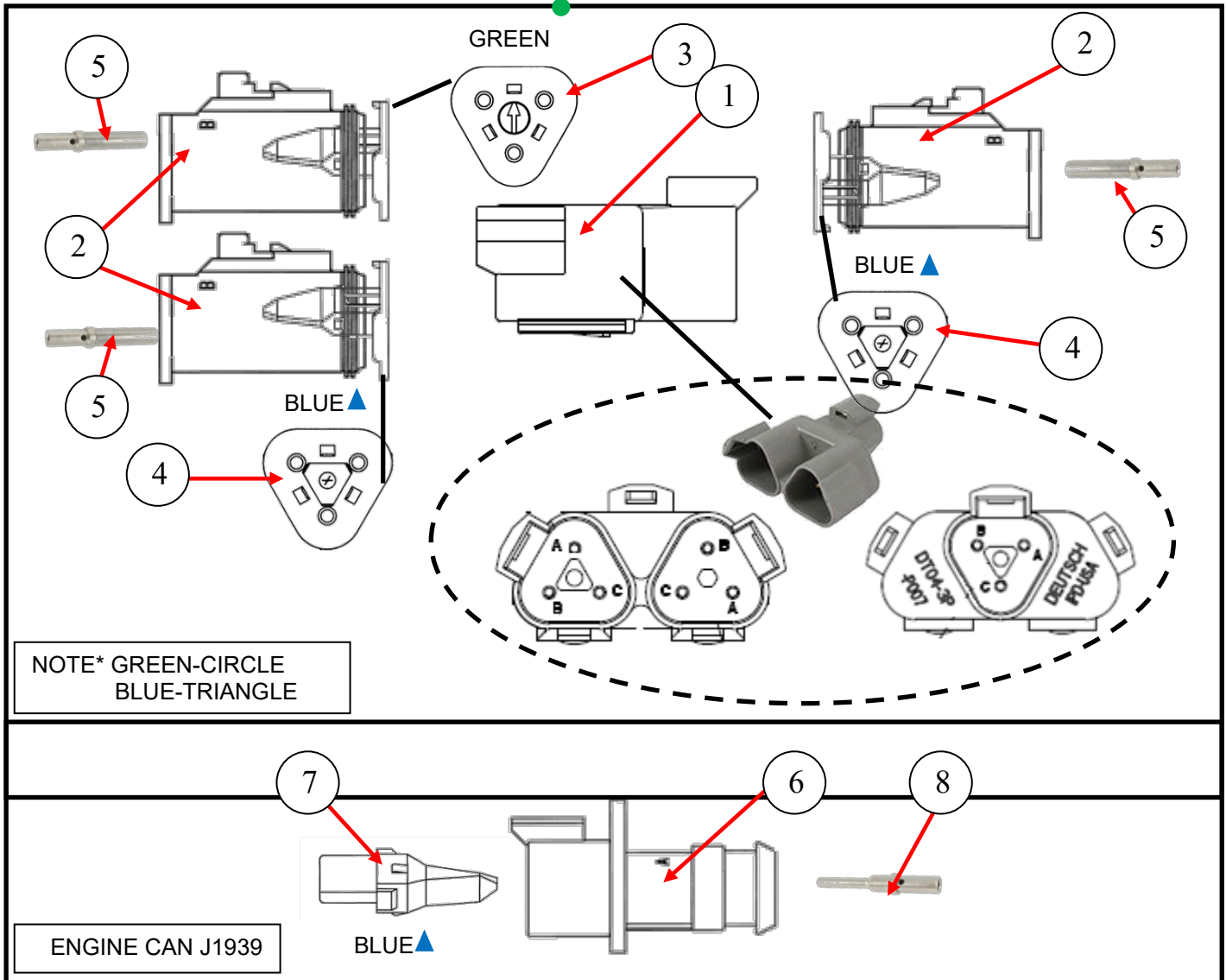
### SWITCH B

### CAN SWITCH B



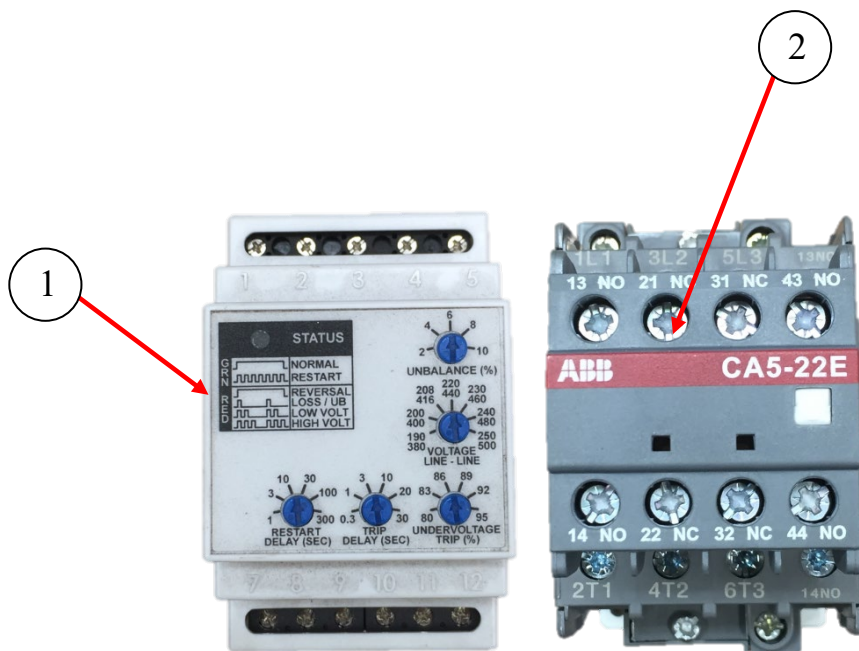
| ID # | PART #   | PART DESCRIPTION             | QUANTITY |    |
|------|----------|------------------------------|----------|----|
| 1    | 89102    | DEUTSCH DT04 PLUG, 2X2       | 1        | EA |
| 2    | 89132    | DEUTSCH WEDGE LOCK FOR 89102 | 1        | EA |
| 3    | BW10147  | CONTACT PIN 16 AWG (FEMALE)  | 4        | EA |
| 4    | 89146    | DEUTSCH DT04 PLUG, 2X4       | 1        | EA |
| 5    | 89209    | DEUTSCH WEDGE LOCK FOR 89146 | 1        |    |
| 6    | 88958    | CONTACT PIN 16 AWG (MALE)    | 4        | EA |
| 7    | 89615-B  | BACKPLATE FOR 89615          | 1        | EA |
| 8    | 89615-FG | FINGER GUARD, 2X4            | 4        | EA |

### CAN PLUGS, CONNECTORS



| ID # | PART #  | PART DESCRIPTION                            | QUANTITY |    |
|------|---------|---|----------|----|
| 1    | 88934   | 3 WAY T RECEPTICAL, DT SER.                 | 1        | EA |
| 2    | 88935   | 3 WAY PLUG DT SER.                          | 3        | EA |
| 3    | 88936   | WEDGE LOCK FOR 3 WAY PLUG ( <b>GREEN</b> )  | 2        | EA |
| 4    | 88937   | WEDGE LOCK FOR 3 WAY PLUG ( <b>BLUE</b> )   | 1        | EA |
| 5    | BW10147 | CONTACT SOCKETS, 16 AWG ( <b>FEMALE</b> )   | 9        | EA |
| 6    | 88932   | 3 WAY RECEPTACLES, FLANGE MOUNT-LE08 MOD.   | 1        | EA |
| 7    | 88938   | KEYED WEDGE LOCK FOR 3 WAY RECPT. DT SERIES | 1        | EA |
| 8    | 88958   | CONTACT PIN, 16 AWG ( <b>MALE</b> )         | 3        | EA |

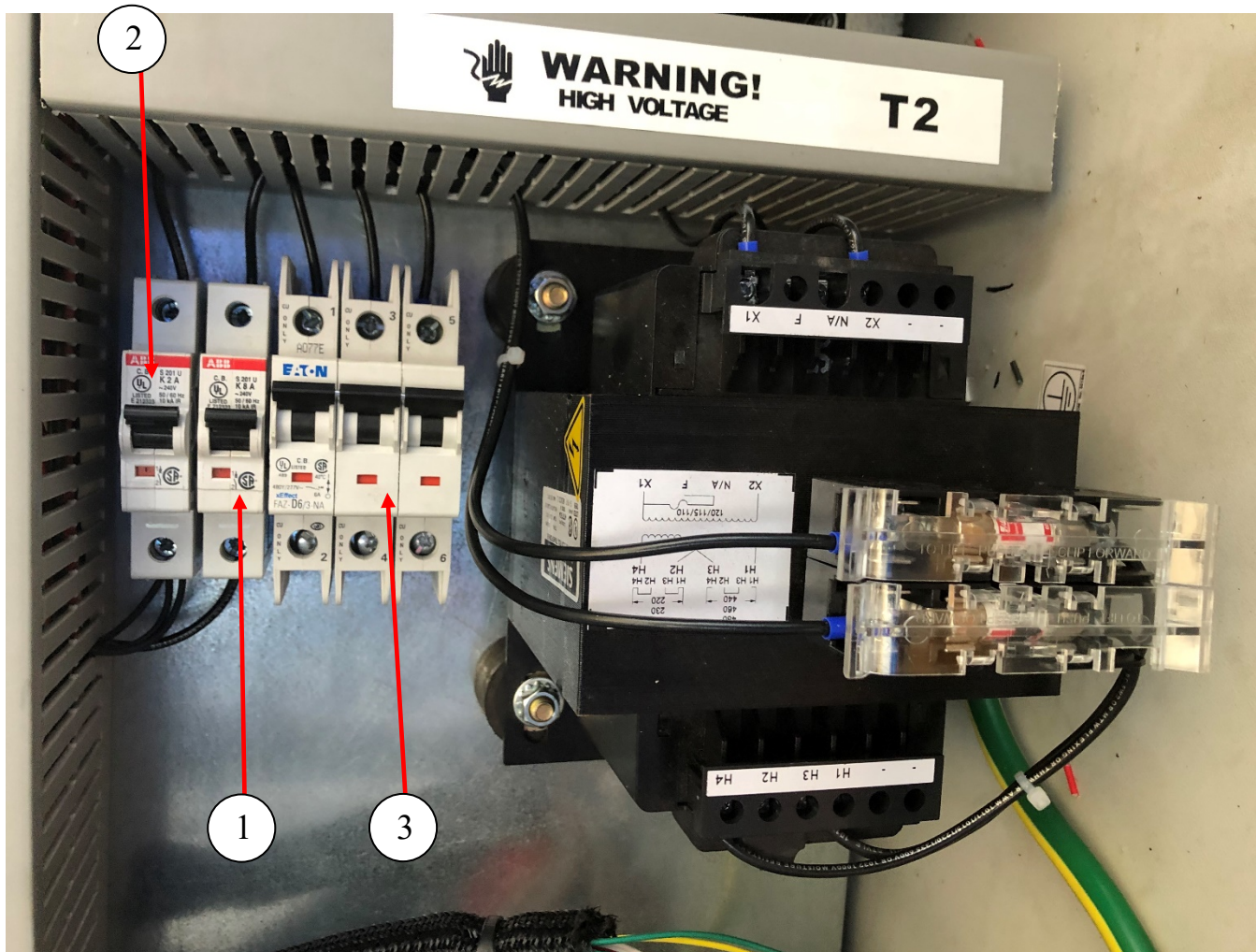
### CONTACTOR, PHAZE MONITOR



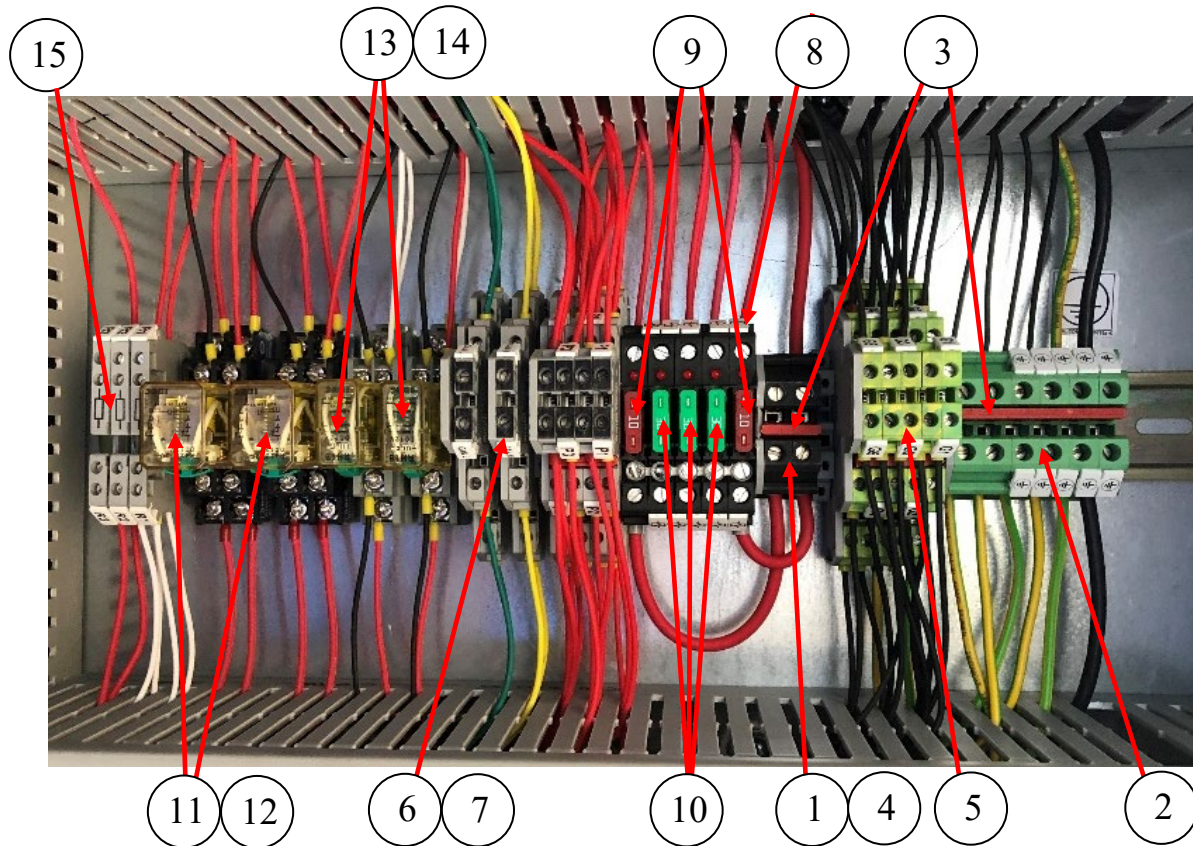
| ID # | PART # | PART DESCRIPTION              | QUANTITY |    |
|------|--------|-------------------------------|----------|----|
| 1    | 88066  | PHAZE MONITOR 480 V           | 1        | EA |
| 2    | 89288  | CONTACT BLOCK, AUX, 2 NO 2 NC | 1        | EA |



### CIRCUIT BREAKER



| ID # | PART # | PART DESCRIPTION                    | QUANTITY |    |
|------|--------|-------------------------------------|----------|----|
| 1    | 88176  | CIRCUIT BREAKER, 8 AMP              |          | EA |
| 2    | 88055  | CIRCUIT BREAKER, 2 AMP              | 1        | EA |
| 3    | 88665  | CIRCUIT BREAKER, 3 POL 6AMP D CURVE | 1        | EA |



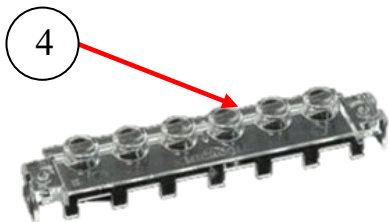
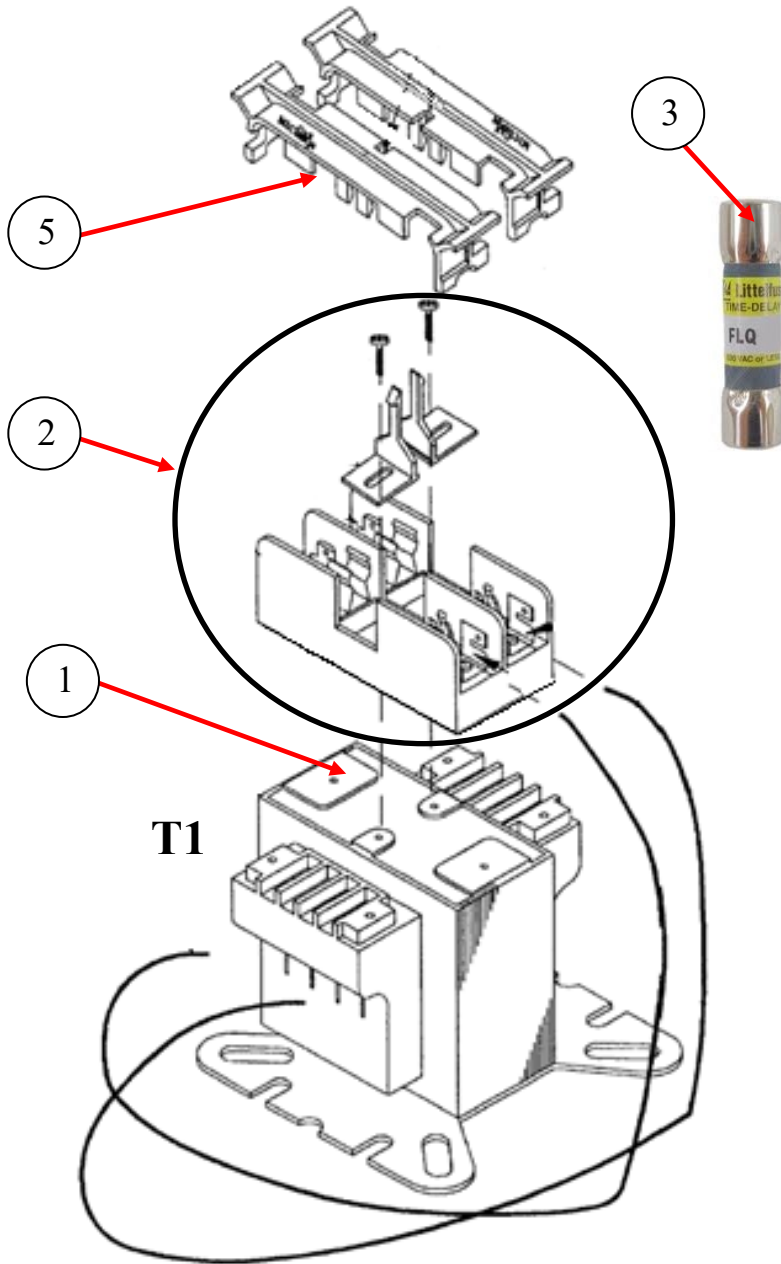
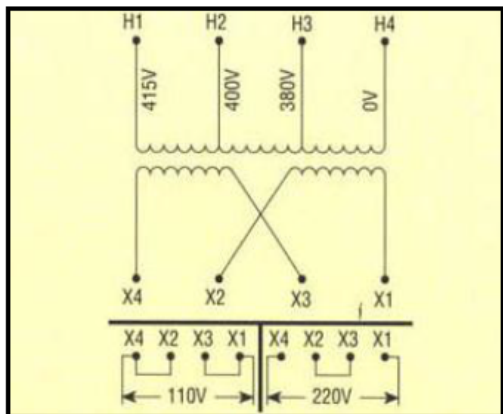
| ID # | PART #  | PART DESCRIPTION                          | QUANTITY |    |
|------|---------|---|----------|----|
| 1    | 89937   | TERMINAL BLOCK, 2 POSITIONS               | 2        | EA |
| 2    | 89938   | TERMINAL BLOCK, 2 POSITION, GND           | 6        | EA |
| 3    | 89939   | BRIDGE, 8MM, FOR 89937                    | 1        | EA |
| 4    | 89940   | END COVER FOR 89937                       | 2        | EA |
| 5    | 89922   | TERMINAL BLOCK, 6 POSITION GND BUSS       | 5        | EA |
| 6    | 89921   | TERMINAL BLOCK, 6 POSITION BUSS           | 6        | EA |
| 7    | 89926   | END COVER FOR 89921                       | 4        | EA |
| 8    | 88881   | FUSE HOLDERS DIN RAIL MOUNT               | 5        | EA |
| 9    | 800449  | FUSE, ATO 10 AMP                          | 2        | EA |
| 10   | 90394   | FUSE, ATO 30 AMP                          | 3        | EA |
| 11   | 88346-1 | RELAY, SPDT, 12VDC, W/CHECKBUTTON AND LED | 2        | EA |
| 12   | 88348   | BASE, RELAY FOR 88346                     | 2        | EA |
| 13   | 88345   | RELAY, 2PDT, 12VDC                        | 2        | EA |
| 14   | 88347   | BASE, RELAY FOR 88345                     | 2        | EA |
| 15   | 89920   | TERMINAL BLOCK, 249 OHM RESISTER          | 3        | EA |

### TRANSFORMER 250-KVA

**NOTE: MICRON TRANSFORMER**

FUSE KIT #FKTP-1001

COVER KIT #TPTC-2006



| ID # | PART #      | PART DESCRIPTION                   | QUANTITY |    |
|------|-------------|------------------------------------|----------|----|
| 1    | 88076       | TRANSFORMER 250 KVA (230/460-120V) | 1        | EA |
| 2    | 88068       | FUSE BLOCK KIT                     | 1        | EA |
| 3    | 88054-1     | FUUSE 1 AMP                        | 2        | EA |
| 4    | 88177-C     | COVER KIT FOR TRANSFORMER          | 1        | EA |
| 5    | 88053-COVER | COVERKIT FOR 88053                 | 1        | EA |

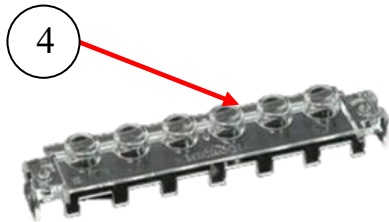
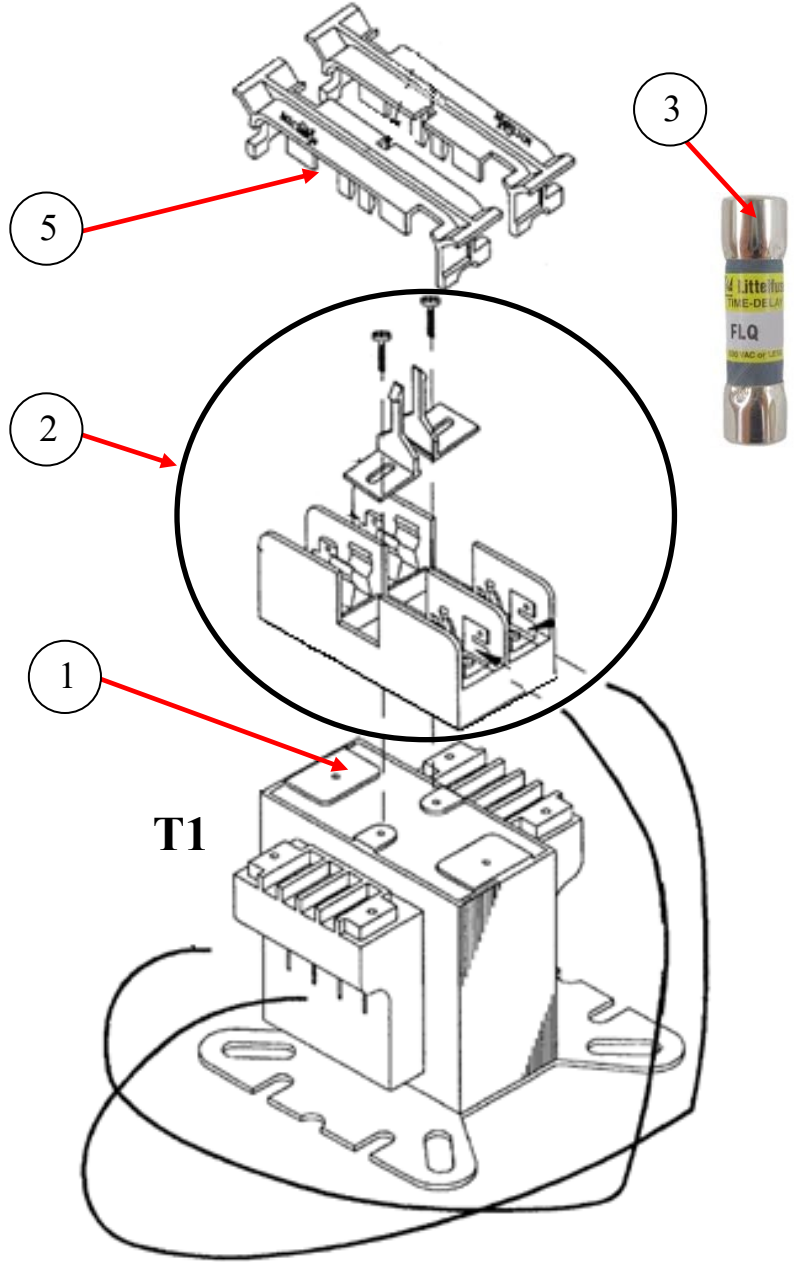
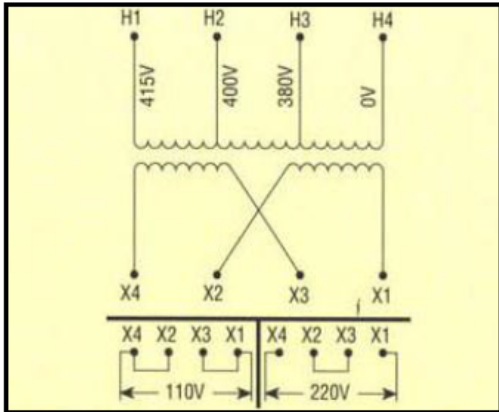


### TRANSFORMER 750-KVA

**NOTE: MICRON  
TRANSFORMER**

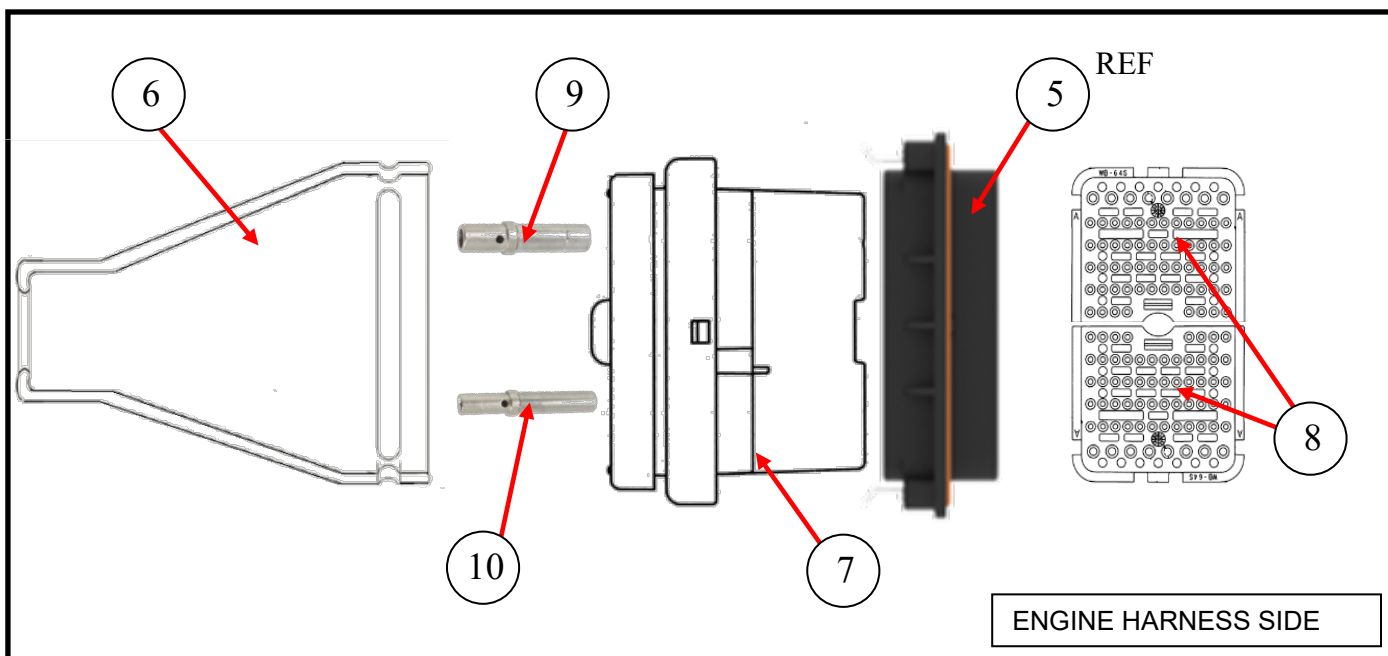
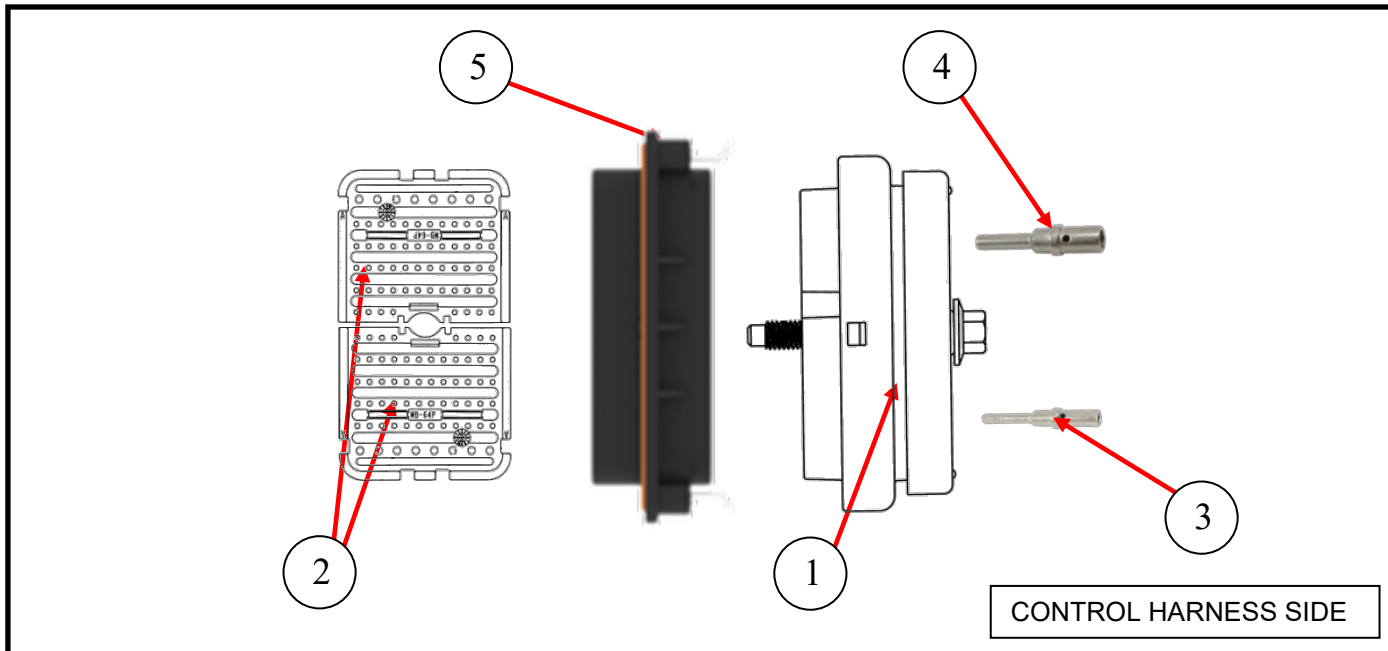
FUSE KIT #FKTP-1001

COVER KIT #TPTC-2006



| ID # | PART #      | PART DESCRIPTION                   | QUANTITY |    |
|------|-------------|------------------------------------|----------|----|
| 1    | 88177       | TRANSFORMER 750 KVA (230/460-120V) | 1        | EA |
| 2    | 88053       | FUSE BLOCK KIT                     | 1        | EA |
| 3    | 88175       | FUZE 6 AMP                         | 2        | EA |
| 4    | 88177-C     | COVER KIT FOR TRANSFORMER          | 1        | EA |
| 5    | 88053-COVER | COVERKIT FOR 88053                 | 1        | EA |

### DEUTSCH 128 PLUG ASSEMBLY



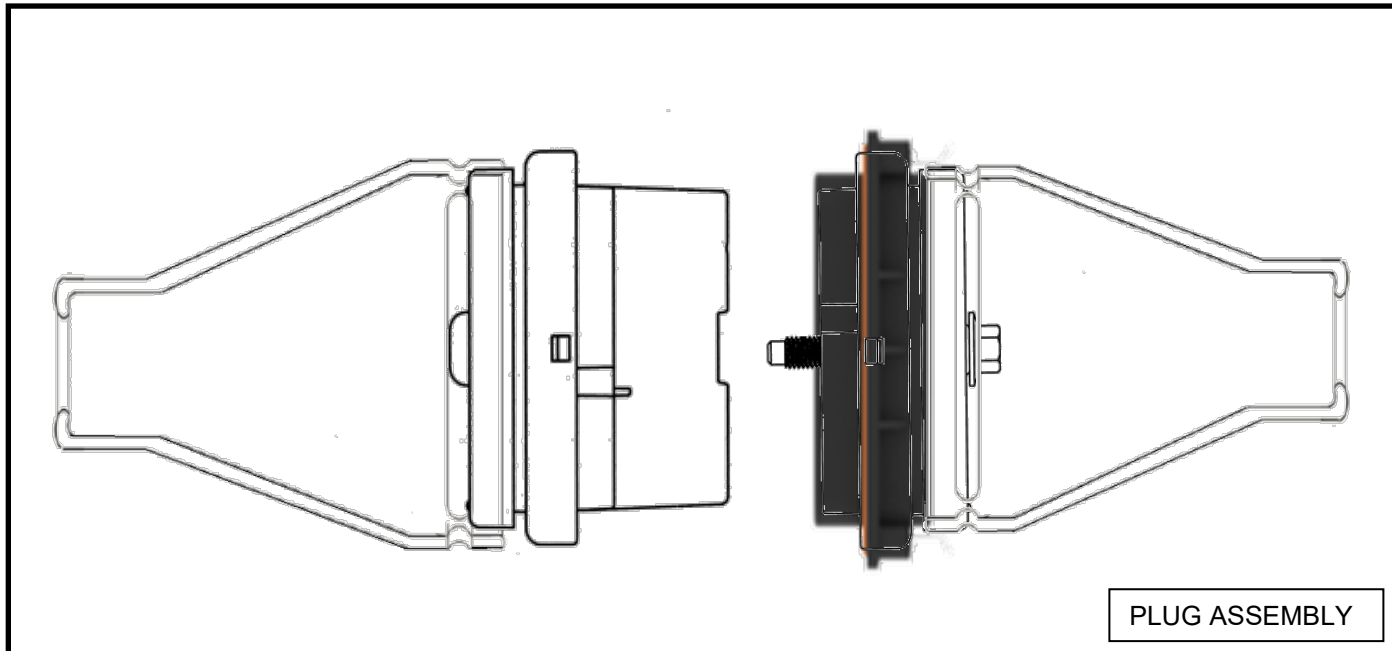


# Mine 30 PLC

## PARTS

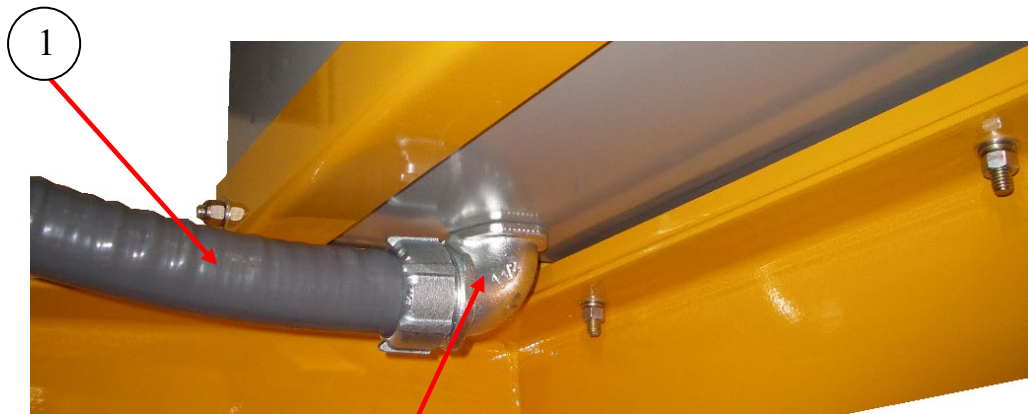
13822 Oaks Avenue  
Chino, CA 91710  
reedpumps.com  
909-287-2100

### DEUTSCH 128 PLUG ASSEMBLY CONT.



| ID # | PART #  | PART DESCRIPTION                               | QUANTITY |    |
|------|---------|--|----------|----|
| 1    | 89109   | DEUTSCH RECEPTACLE 128 CONTACT, PIN            | 1        | EA |
| 2    | 89159   | DEUTSCH WEDGE LOCK FOR 89157                   | 2        | EA |
| 3    | 88958   | CONTACT PIN SIZE 16 AWG, ( <b>MALE</b> )       | 72       | EA |
| 4    | 87807   | CONTACT PIN SIZE 12 AWG, ( <b>MALE</b> )       | 16       | EA |
| 5    | 89158   | DEUTSCH RECEPTACLE, FLANGE                     | 1        | EA |
| 6    | 89109-B | DEUTSCH, BOOT COVER                            | 1        | EA |
| 7    | 89157   | DEUTSCH RECEPTACLE 128 CONTACT, SOCKET         | 1        | EA |
| 8    | 89116   | DEUTSCH WEDGE LOCK FOR 89157                   | 1        | EA |
| 9    | 87457   | CONTACT SOCKET, SIZE 12 AWG, ( <b>FEMALE</b> ) | 1        | EA |
| 10   | BW10147 | CONTACT SOCKET, SIZE 16 AWG, ( <b>FEMALE</b> ) | 1        | EA |

### CONDUIT, FITTING



| ID # | PART #   | PART DESCRIPTION                     | QUANTITY |    |
|------|----------|--------------------------------------|----------|----|
| 1    | 86518-1  | CONDUIT - 2" IN LIQUID TITE          | 3        | FT |
| 2    | 86519-1  | CONNECTOR 1 1/2" ELBOW 90°           | 2        | EA |
| 3    | 86520-1  | INSULATED BUSHING 1 1/2"             | 4        | EA |
| 4    | 88928    | TERMNL BLOCK WEG MOTOR CE            | 1        | EA |
| 5    | 86518-1W | WASHER 2"                            | 1        | EA |
| 6    | 86523    | CABLE-2 AWG BLACK NEC TYPE MTW & THW | 20       | FT |
| 7    | 89902    | CABLE-2 AWG GR/YL NEC                | 9        | FT |
| 8    | 89150-2  | LUG COPPER 1 AWG STR 3/8" HOLE       | 4        | EA |



# Mine 30 PLC PARTS

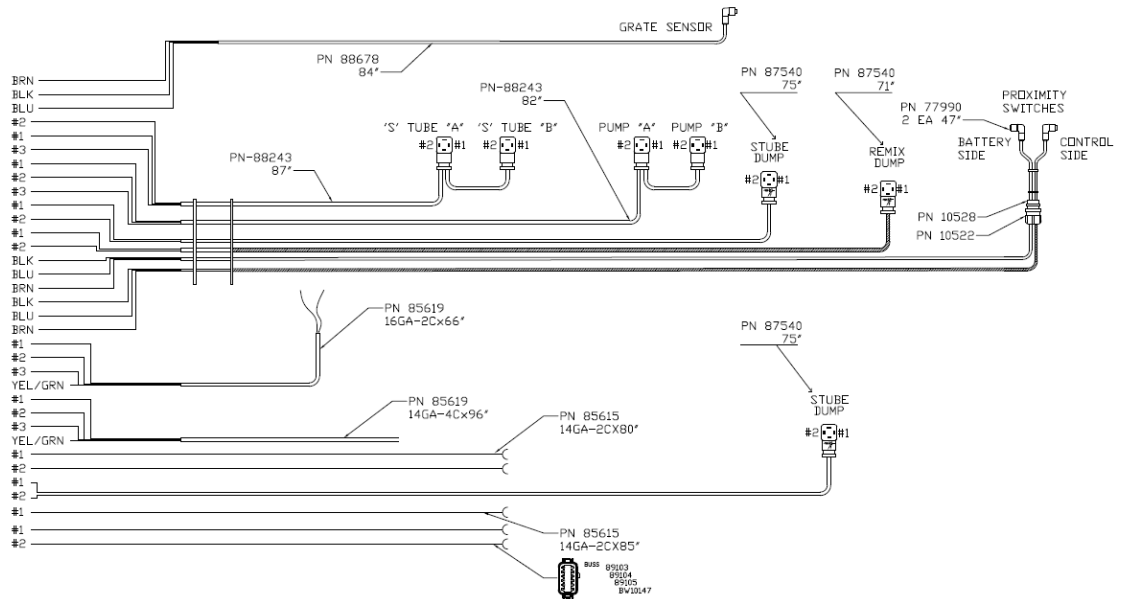
13822 Oaks Avenue  
Chino, CA 91710  
reedpumps.com  
909-287-2100

## WIRING HARNESS

### 128 PLUG

PN 89157 PLUG  
PN 89116 WEDGE  
PN 87457 12AWG SOCKET  
PN BV10147 16AWG SOCKET  
PN 89109-B BOOT

- GRATE SENSOR + #17
- GRATE SENSOR #29
- GROUND #41
- S TUBE COIL 'A' #52
- S TUBE COIL 'B' #53
- GROUND #50
- PUMP COIL 'A' #54
- PUMP COIL 'B' #55
- GROUND #83
- S TUBE DUMP + #50
- GROUND #78
- REMIX DUMP + #51
- GROUND #79
- PRDX SWITCH 'B' #31
- GROUND #42
- BATTERY + #18
- PRDX SWITCH 'A' #30
- GROUND #43
- BATTERY+ #19
- HORN + #11
- HORN + #12
- HORN - #111
- HORN - #112
- VIBRATOR + #7
- VIBRATOR + #8
- VIBRATOR - #109
- VIBRATOR - #128
- VOLUME +/- #65
- VOLUME +/- #66
- S TUBE DUMP 2 + #27
- GROUND #85
- SENSOR ELECTRIC #25
- COOLER MOTOR AC #113
- COOLER MOTOR AC #114



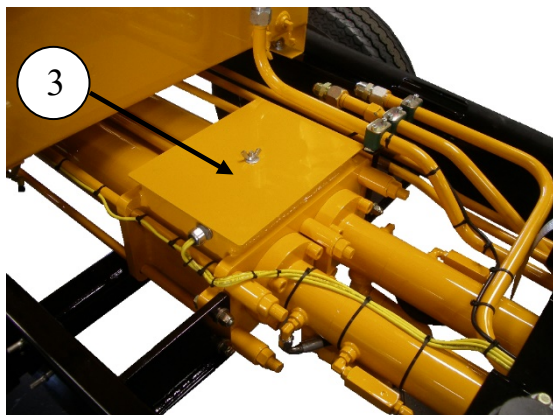
| ID # | PART # | PART DESCRIPTION                        | QUANTITY | FT |
|------|--------|---|----------|----|
| 1    | 89452  | WIRING HARNESS, M SER ELECT 115V COOLER | 1        | FT |



# Mine 30 PLC PARTS

13822 Oaks Avenue  
Chino, CA 91710  
reedpumps.com  
909-287-2100

## FRAME, PANELS



5

|   |            |  |
|---|------------|--|
| <b>REED</b><br>13822 OAKS AVENUE<br>CHINO, CA 91710 USA |            | PHONE (909)287-2100<br>FAX (909)287-2140 |
| MODEL   | SERIAL NO. |  |
| MATERIAL PRESSURE                                       | PSI        | BAR                                      |
| HYDRAULIC PRESSURE                                      | PSI        | BAR                                      |
| ENGINE / PTO ELECTRIC MOTOR                             | RPM        | VOLTS                                    |
| VEHICLE WEIGHT (APPROX.)                                | LBS        | KG                                       |
| YEAR OF MFG.  |            |  |

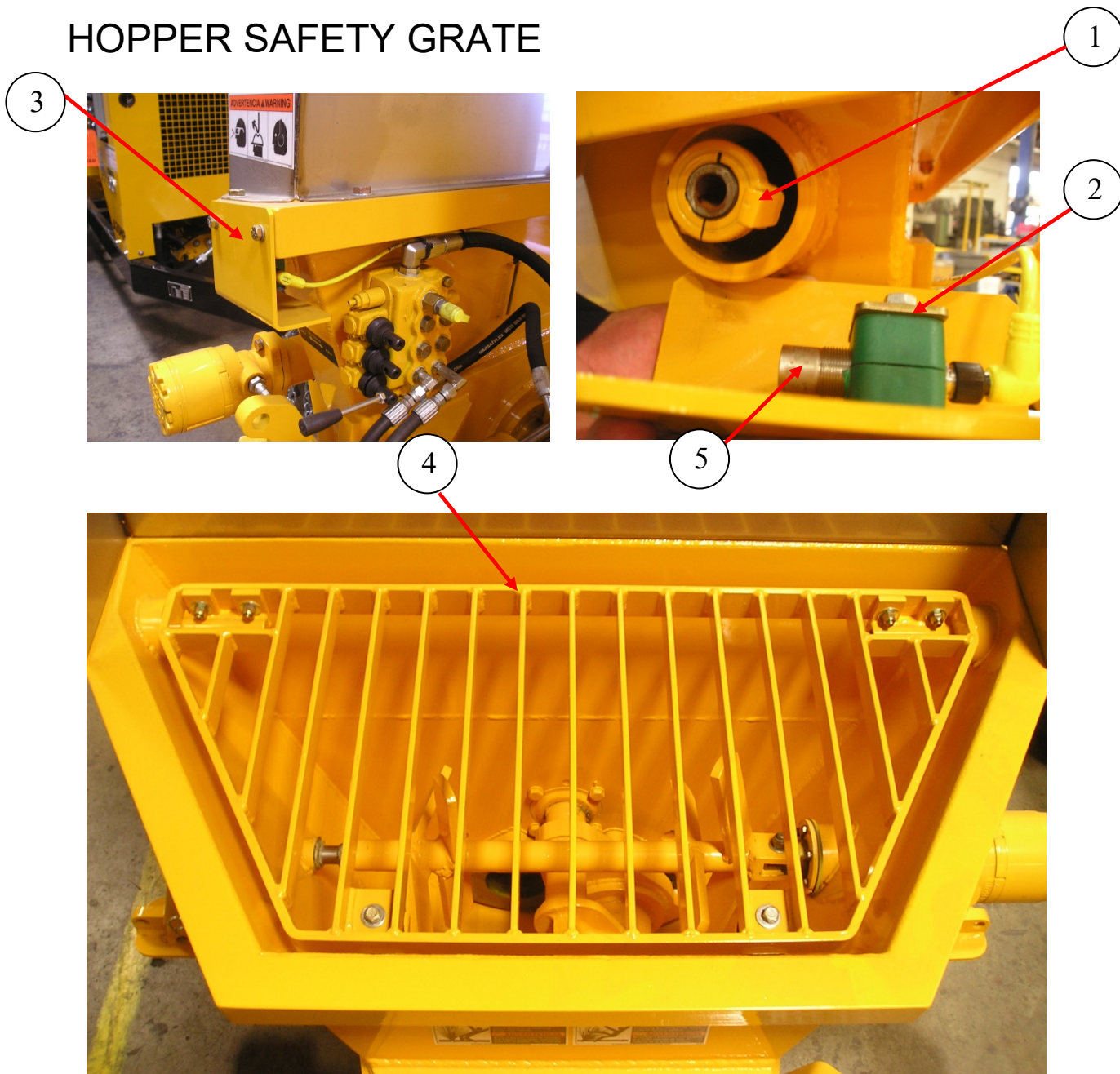
PN 96636



| ID # | PART #  | PART DESCRIPTION                      | QUANTITY |    |
|------|---------|---------------------------------------|----------|----|
| 1    | 89448   | SKID FRAME WELDMENT, M SER ELECTRIC   | 1        |    |
| 2    | 88796   | FRONT SKID MESH SCREEN                | 1        | EA |
| 3    | BW10387 | LID, FLUSHBOX, A40                    | 1        | EA |
| 4    | 85714-1 | SPLASH GUARD, WITH HOPPER SAFTY GRATE | 1        | EA |
| 5    | 86636   | SERIAL NUMBER PLATE (BLANK)           | 1        | EA |



### HOPPER SAFETY GRATE



| ID # | PART #     | PART DESCRIPTION                 | QUANTITY |    |
|------|------------|----------------------------------|----------|----|
| 1    | 87769      | COLLAR SHAFT, 7/8" DIA           | 1        | EA |
| 2    | 801902-006 | CLAMP, 18MM TUBE CLAMP SET       | 1        | EA |
| 3    | 87997      | COVER WELD PROX SWITCH HOPPER    | 1        | EA |
| 4    | BW10416    | GRATE WELDMENT, A SER STD HOPPER | 1        | EA |
| 5    | 87369      | PROXIMITY SENSOR PMP             | 1        | EA |



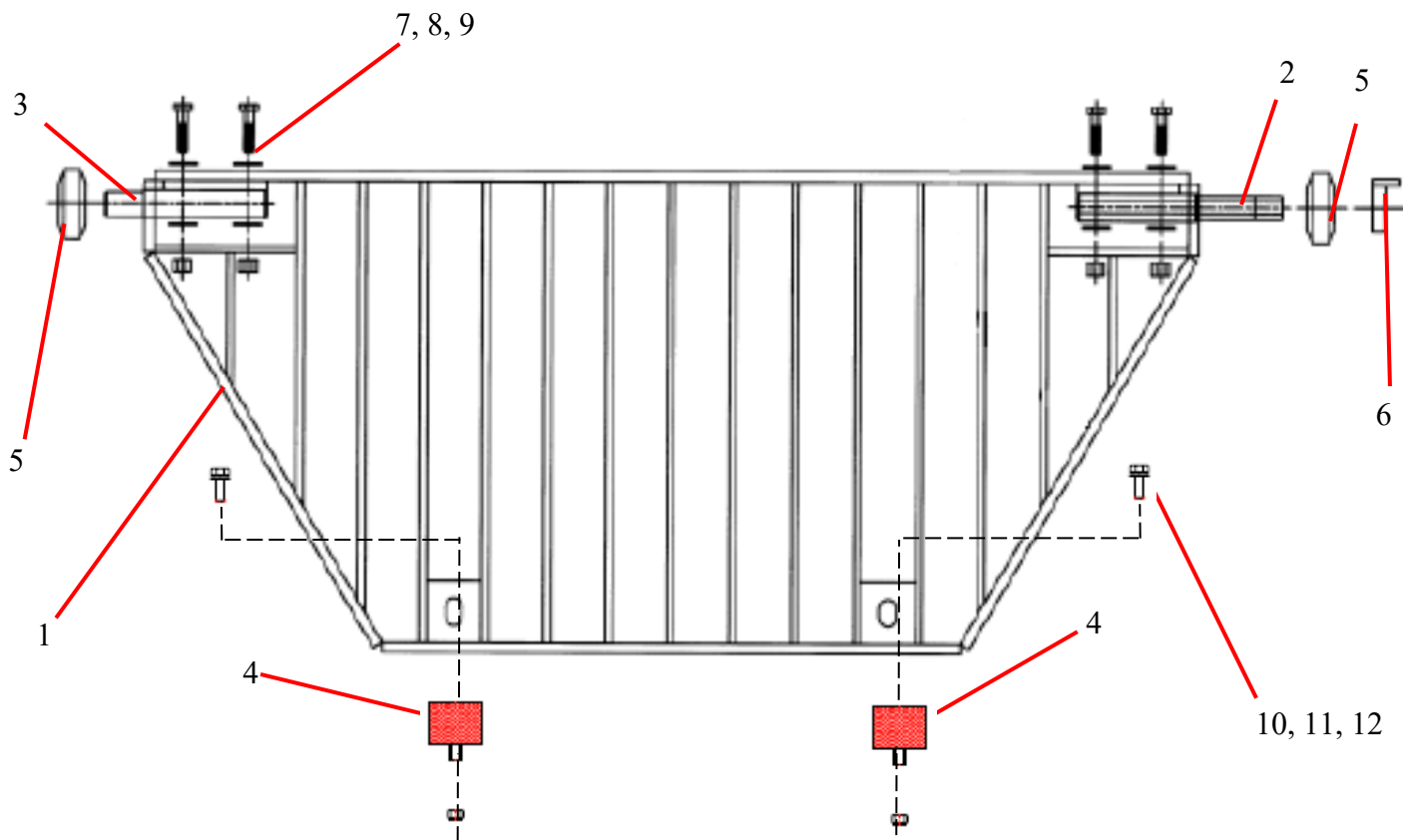


# Mine 30 PLC

## PARTS

13822 Oaks Avenue  
 Chino, CA 91710  
 reedpumps.com  
 909-287-2100

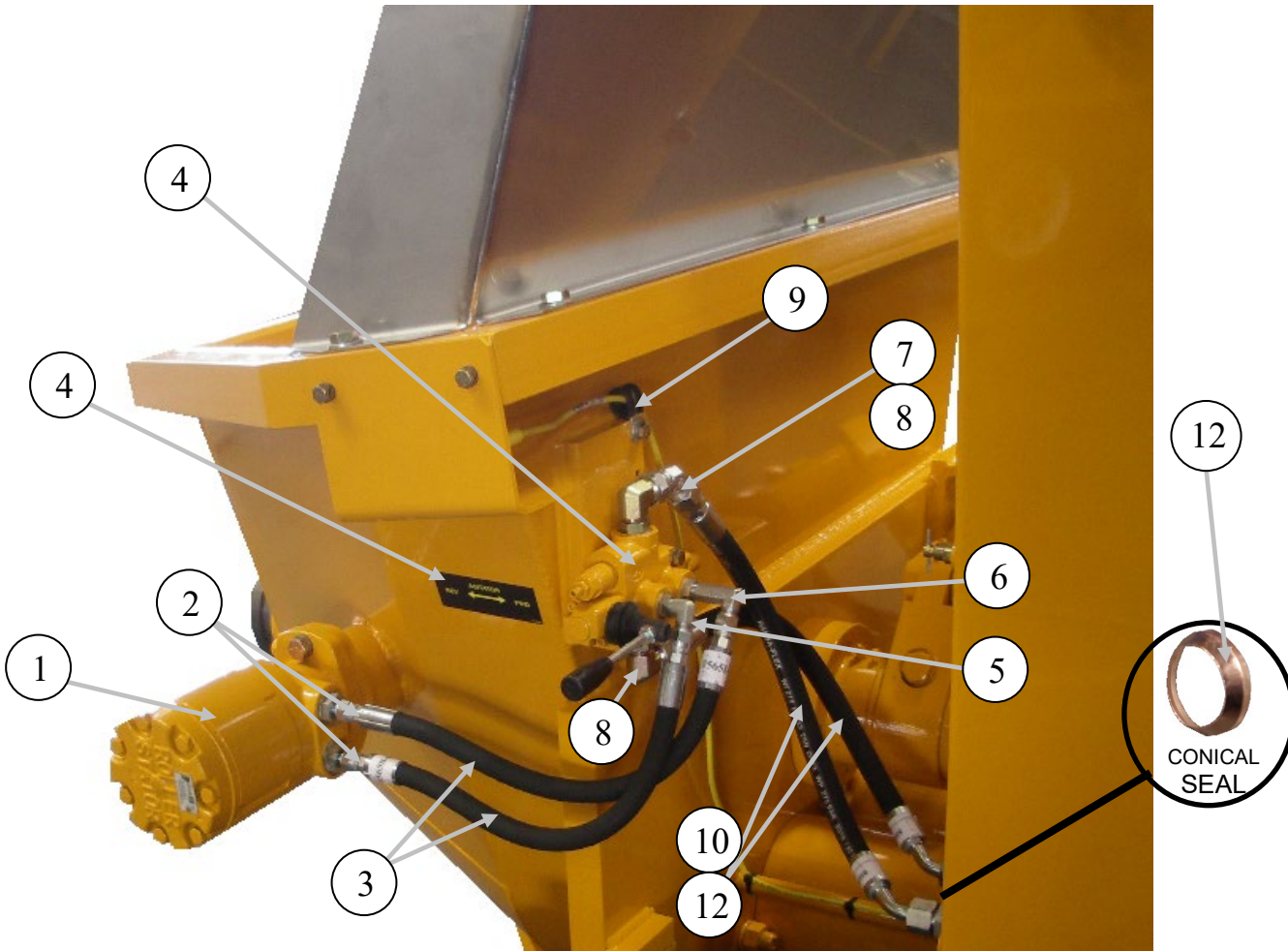
### GRATE ASSEMBLY



| ID # | PART #   | PART DESCRIPTION                 | QUANTITY |     |
|------|----------|----------------------------------|----------|-----|
| 1    | BW10416  | GRATE WELDMENT, A SER STD HOPPER |          | REF |
| 2    | 87857    | PIN WELDMENT LONG                | 1        | EA  |
| 3    | 87858    | PIN WELDMENT SHORT               | 1        | EA  |
| 4    | 86083    | BUMPER, HOPPER GRATE             | 2        | EA  |
| 5    | W-114850 | RUBBER BUFFER 65X22.5X26         | 2        | EA  |
| 6    | 87769    | COLLAR SHAFT, 7/8" DIA           | 1        | REF |
| 7    |          | 3/8"-16 X 1 1/4" HEX BOLT        | 4        | EA  |
| 8    |          | 3/8" FLAT WASHER                 | 8        | EA  |
| 9    |          | 3/8"-16 LOCK NUT                 | 4        | EA  |
| 10   |          | 3/8"-16 X 1" HEX BOLT            | 2        | EA  |
| 11   |          | 3/8" FLAT WASHER                 | 2        | EA  |
| 12   |          | 3/8" LOCK WASHER                 | 2        | EA  |

### OPTION

## HYDRAULIC AGITATOR



| ID # | PART #    | PART DESCRIPTION                             | QUANTITY |    |
|------|-----------|--|----------|----|
|      | BW10396-1 | AGITATOR ASSEMBLY, A40                       |          | EA |
| 1    | 85811     | HYD MOTOR, 45.6 CID, 1" SHAFT-PAINTED        | 1        | EA |
| 2    | 86866     | FITTING-MB-MJ-10-6                           | 2        | EA |
| 3    | 85658-002 | HOSE, 6M2T-6FJX-6FJX-17.00                   | 2        | EA |
| 4    | 74584     | VALVE 1 SPOOL, MANUAL PAINTED                | 1        | EA |
| 5    | 86748     | FITTING-MB-MJ90-6-6                          | 1        | EA |
| 6    | 86747     | FITTING-MB-MJ90LL-6-6                        | 1        | EA |
| 7    | 86749     | FITTING-MJ-FJX45-10-10                       | 1        | EA |
| 8    | 86746     | FITTING-MB-MJ90-8-10                         | 2        | EA |
| 9    | 800897    | CLAMP, 3/4" TUBE, SINGLE                     | 1        | EA |
| 10   | 85657-016 | HOSE, 8M2T-10FJX-10FJX45-20.00               | 2        | EA |
| 11   | 85846     | DECAL, ADGITATOR                             | 1        | EA |
| 12   | BW10229   | CONICAL SEAL, SIZE 12                        | 4        | EA |
| 13   | 85657-024 | HOSE, 8M2T-10FJX-10FJX90S-24.50 (UNDER TANK) | 1        | EA |
| 14   | BW10407   | TUBE HYD. AGITATOR PRESSURE (UNDER TANK)     | 1        | EA |

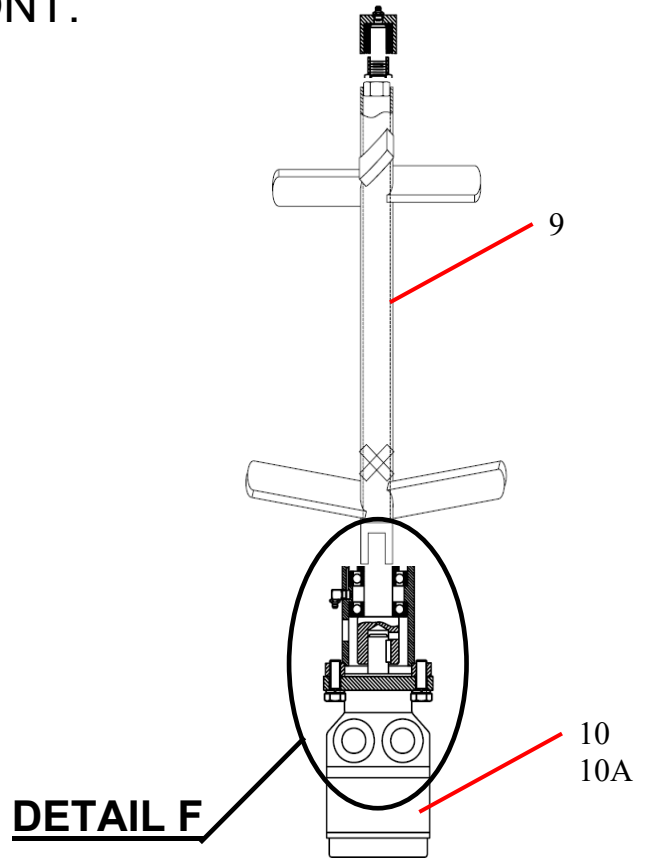
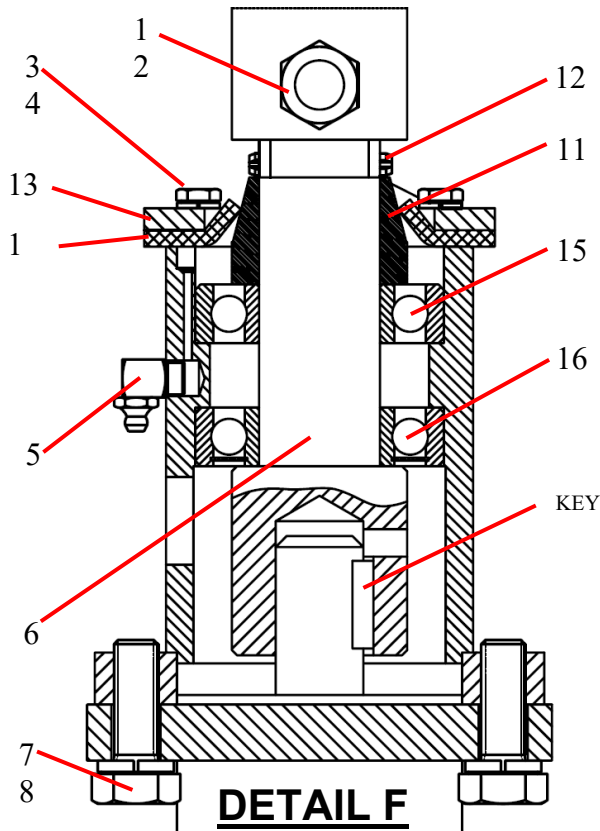


# Mine 30 PLC

## PARTS

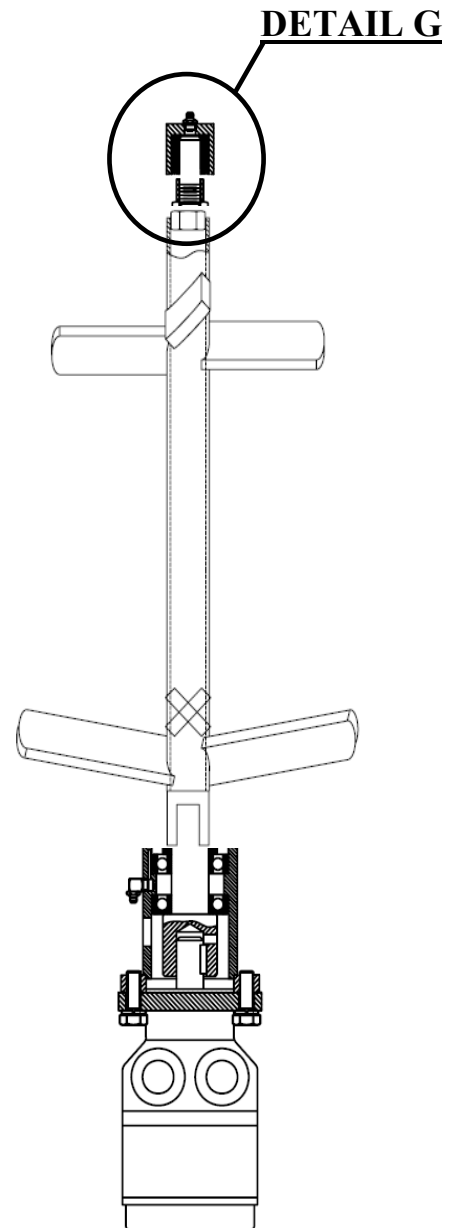
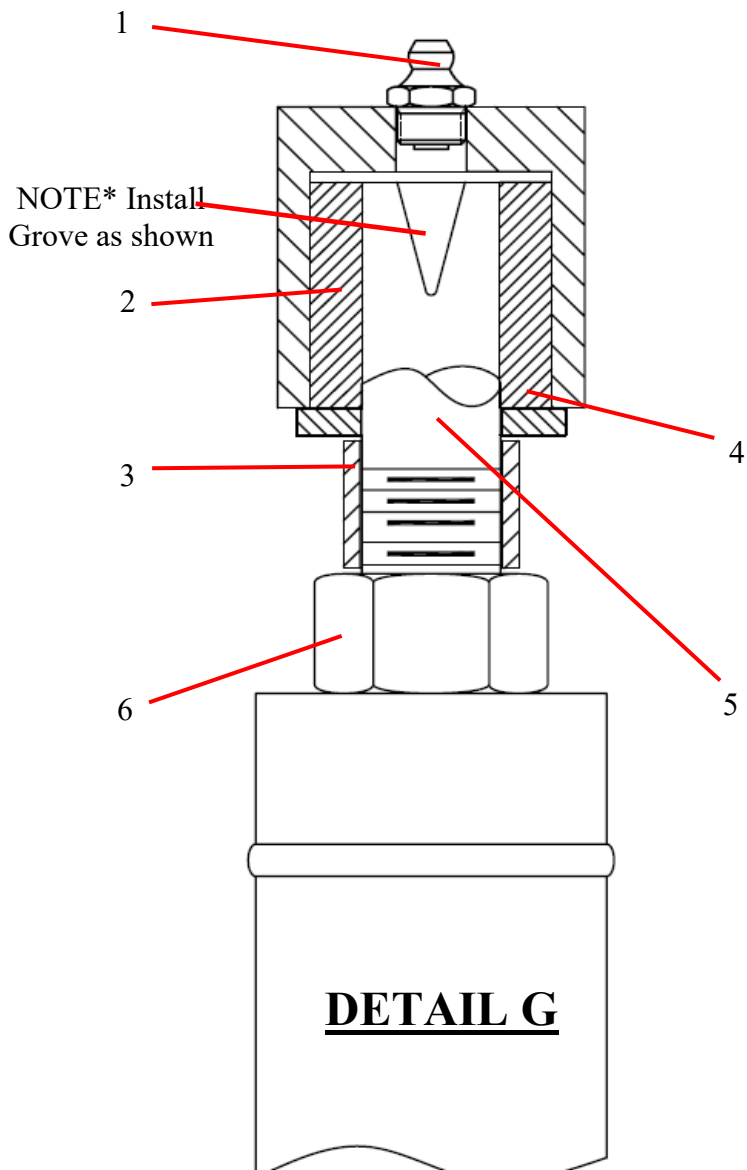
13822 Oaks Avenue  
Chino, CA 91710  
reedpumps.com  
909-287-2100

### OPTION HYDRAULIC AGITATOR CONT.



| ID# | PART #    | PART DESCRIPTION              | QUANTITY |    |
|-----|-----------|-------------------------------|----------|----|
|     | BW10396-1 | AGITATOR ASSEMBLY             |          |    |
| 1   |           | HHCS, 1/2"-13X2 1/4" GR 8     | 1        | EA |
| 2   |           | LOCK NUT, 1/2"-13             | 1        | EA |
| 3   |           | 1/4"-28X3/4"                  | 6        | EA |
| 4   |           | LOCK WASHER, 1/4"             | 6        | EA |
| 5   |           | GREASE FITTING, 1/8" NPT 90°  | 1        | EA |
| 6   | 85923     | SHAFT, AGITATOR               | 1        | EA |
| 7   |           | HHCS, 1/2"-20X1 1/2" GR 8     | 2        | EA |
| 8   |           | LOCK WASHER, 1/2"             | 2        | EA |
| 9   | 85717     | AGITATOR, PADDLE-B20          | 1        | EA |
| 10  | 85811     | HYD MOTOR, 45.6 CID, 1" SHAFT | 1        | EA |
| 10A | 85811SK   | SEAL KIT                      | 1        | EA |
| 11  | 85976     | WEAR RING, AGITATOR           | 1        | EA |
| 12  | 86758     | SPRING PIN, 1/4" DIA X 1 3/4" | 1        | EA |
| 13  | 70211     | FLANGE SEAL S/W               | 1        | EA |
| 14  | 70212     | SEAL REMIXER                  | 1        | EA |
| 15  | 87356     | BEARING, BALL, PLAIN          | 1        | EA |
| 16  | 85979     | BEARING, BALL 1 SEAL          | 1        | EA |

### OPTION HYDRAULIC AGITATOR CONT.



| ID # | PART # | PART DESCRIPTION                   | QUANTITY |    |
|------|--------|------------------------------------|----------|----|
| 1    |        | GREASE FITTING, 1/8" NPT STRAITGHT | 1        | EA |
| 2    | 70219  | REMIX SHAFT BUSHING                | 1        | EA |
| 3    | 77877  | SPACER, REMIX                      | 1        | EA |
| 4    | 86824  | FLAT WASHER, 3/4" SAE              | 1        | EA |
| 5    | 70214  | IDLER SHAFT, AGITATOR              | 1        | EA |
| 6    | 80030  | HEX NUT-M20X2.5 PLATED             | 1        | EA |





# Mine 30 PLC

## PARTS

13822 Oaks Avenue  
 Chino, CA 91710  
 reedpumps.com  
 909-287-2100

### OPTION

## PERIFLO CHEMICAL PUMP



| ID # | PART #         | PART DESCRIPTION                                      | QUANTITY |    |
|------|----------------|---|----------|----|
|      | 88421          | PERISTALTIC PUMP 4380V, WITH VARIABLE FREQUENCY DRIVE | REF      | EA |
|      | 88421-1        | PERISTALTIC PUMP 460V, 115V INPUT TO X4, WITH VFD     | REF      | EA |
|      | 88421-1H       | HOSE RUBBER   | REF      | EA |
|      | 88421-1-H-EPDM | HOSE, EPDM  | REF      | EA |
|      | 88421-1L       | LUBRICATION GREASE FOR 88421/1 PUMPS                  |          | EA |
|      |                |   |          | EA |