



B20HPC-X-V26

PARTS



(909)287-2100

PARTS.....	3
PUMPING TRAIN GROUP.....	3
S-TUBE	5
4" OUTLET ASSEMBLY.....	5
4" OUTLET SEAL KIT INSTALLATION	5
WEAR PLATE ASSEMBLY	7
4" PISTON CUP ASSEMBLY	8
.....	8
DRIVE CYLINDER ASSEMBLY	9
DUAL SHIFT BELL CRANK ASSEMBLY	10
DUAL SHIFT CYLINDER ASSEMBLY	11
DUAL SHIFT ASSEMBLY.....	11
HOPPER	13
AGITATOR ASSEMBLY (OPTION 1)	13
AGITATOR ASSEMBLY (OPTION 2)	13
SAFETY GRATE	15
GRATE ASSEMBLY.....	17
CLEAN OUT-DOOR ASSEMBLY	18
POWER TRAIN GROUP	19
ENGINE TIER-4.....	19
MAIN HYDRAULIC PUMP	20
GEAR PUMP/PUMP DRIVE	20
HOSE KIT	20
DEF COOLANT GROUP	24
T4 EXHAUST.....	25
TANKS	26
FUEL TANK ASSEMBLY.....	26
FUEL TANK ASSEMBLY HYDRAULIC TANK ASSEMBLY	27
MANIFOLDS	30
DRIVE CYLINDER CIRCUIT MANIFOLD ASSEMBLY	30
S-TUBE CIRCUIT MANIFOLD ASSEMBLY	32
ACCUMULATOR ASSEMBLY	34
ELECTRICAL GROUP.....	35
PROXIMITY SWITCHES	35
BATTERY ASSEMBLY	36
TRAILER HARNESS AND BREAKAWAY	37
TRAILER LIGHTS.....	38
WIRING HARNESS	39
PLC CONTROLS	41



B20HPC-X-V26

PARTS



(909)287-2100

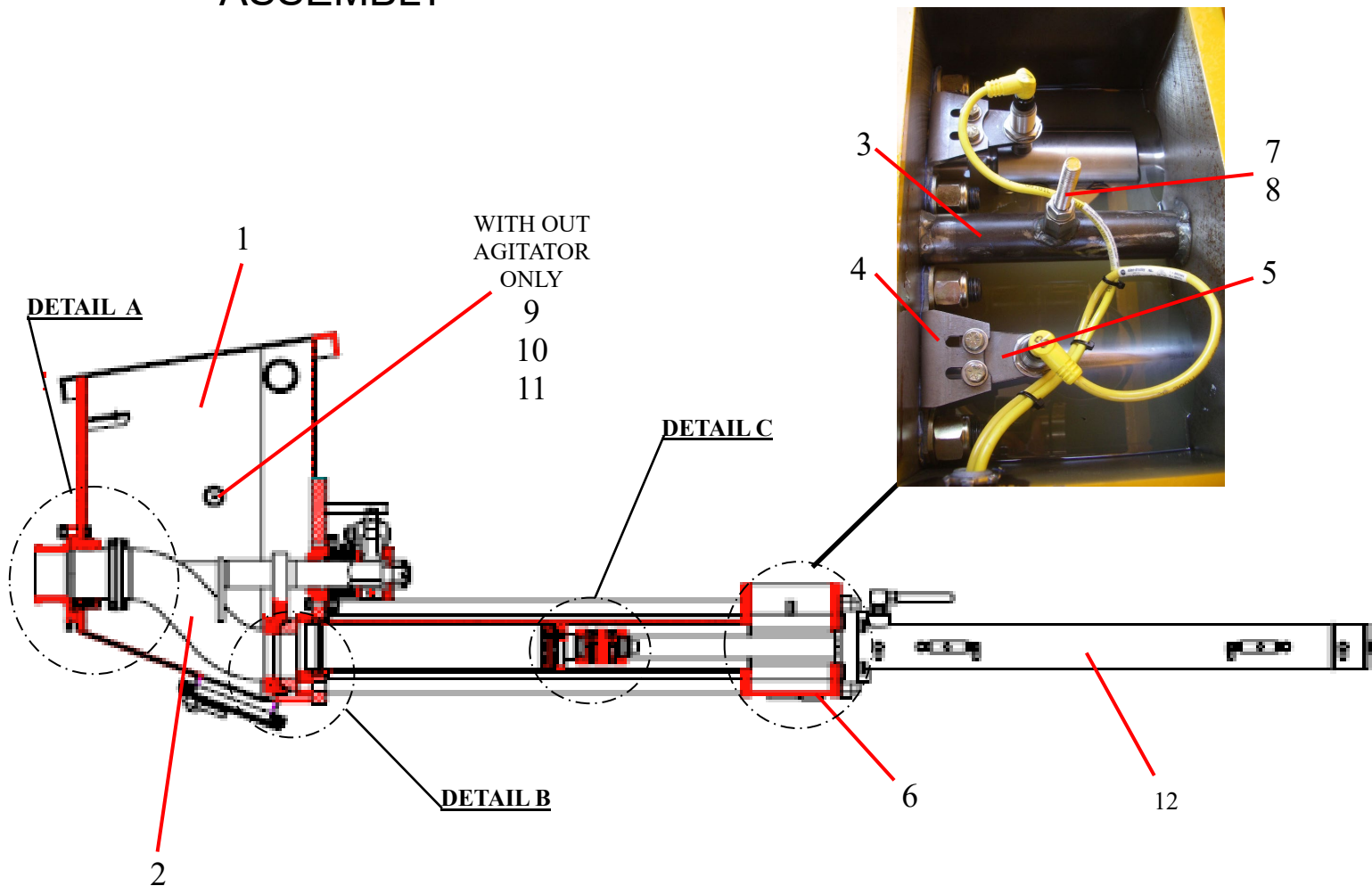
B-SERIES CONTROL PANEL	41
MVEC/FUSE/RELAY	42
ESTOP, KEY ASSEMBLY, PLUGS	46
BUSSES, CONNECTORS, PINS	47
SERIAL PLATE IDENTICATION	48
BUSS BAR SET-UP	49
CAN PUSH BUTTON SWITCH PLUG	50
SWITCH A.....	50
CAN PUSH BUTTON SWITCH PLUG	51
SWITCH B	51
CAN PLUGS, CONNECTORS.....	52
DEUTSCH 128 PLUG ASSEMBLY	53
FRAME INSTALLATION.....	55
FRAME, TIRES, JACK, AND TOW EYE	55
7000LB AXLE MOUNTING ASSEMBLY FRONT	56
7000LB AXLE MOUNTING ASSEMBLY REAR	57
HOOD AND COVERS.....	58
FENDERS AND OUTRIGGERS	59
REMOVABLE LIFT MIXER ASSEMBLY.....	60
MIXER DUAL MOTOR ASSEMBLY	61
BEARING ASSEMBLY	62
PADDLE ASSEMBLY-1	63
PADDLE ASSEMBLY-2	64
VALVE ASSEMBLY	65
MIXER DIRECTIONAL CONTROL VALVE	66
HYDRAULIC OUTRIGGER GROUP	67
3 SPOOL CONTROL VALVE	68
HYDRAULIC OUTRIGGER GROUP	69
ELECTRIC HYDRAULIC OUTRIGGER CONTROLS	71
AGITATOR GROUP	72
1 SPOOL AGITATOR VALVE	73
AVAILABLE OPTIONS	75

REV	DATE	DESCRIPTION	NAME
B20HPC-X-V26	2/27/2020	INITIAL *	J.SLACK

PARTS

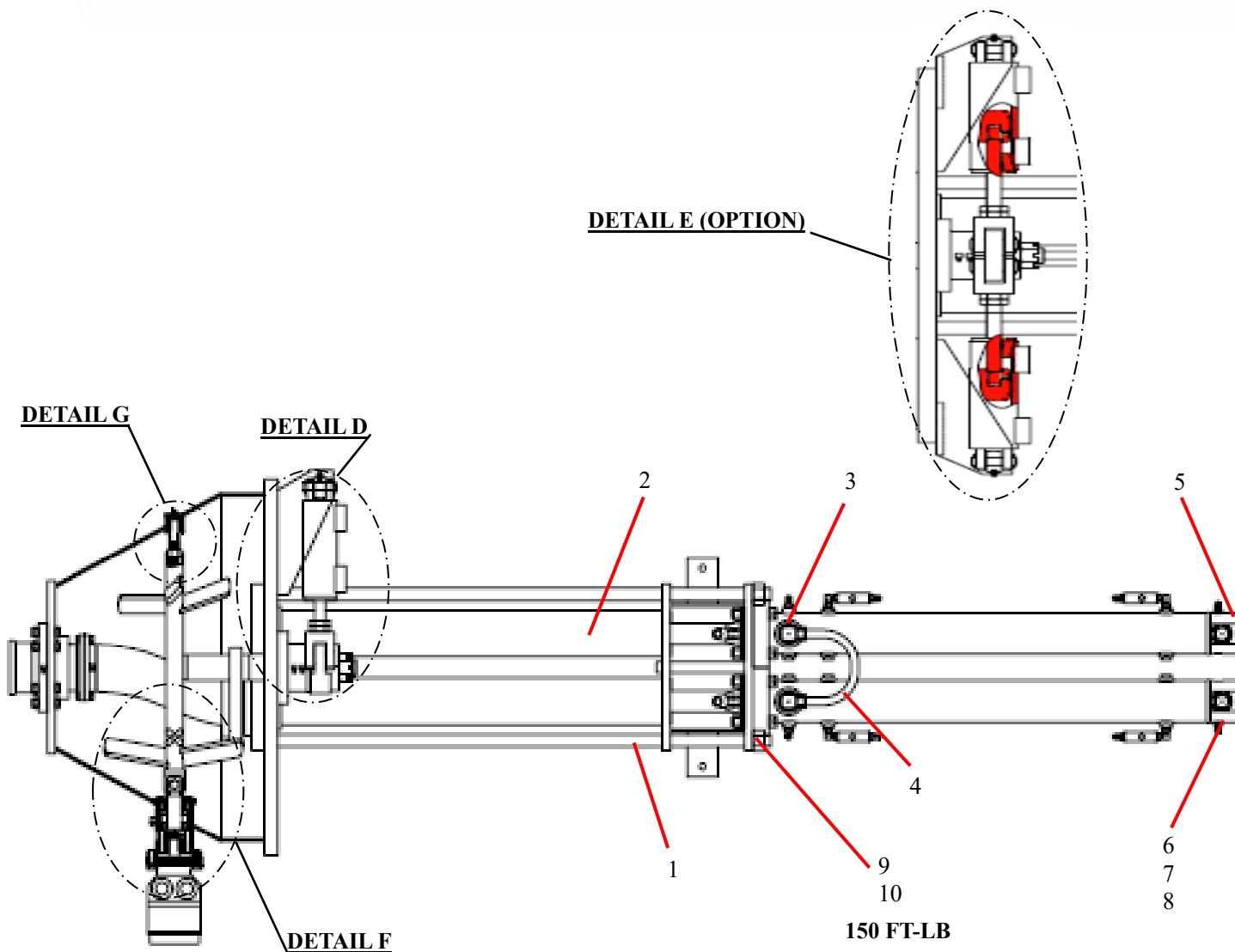
PUMPING TRAIN GROUP ASSEMBLY

WATERBOX TOP VIEW

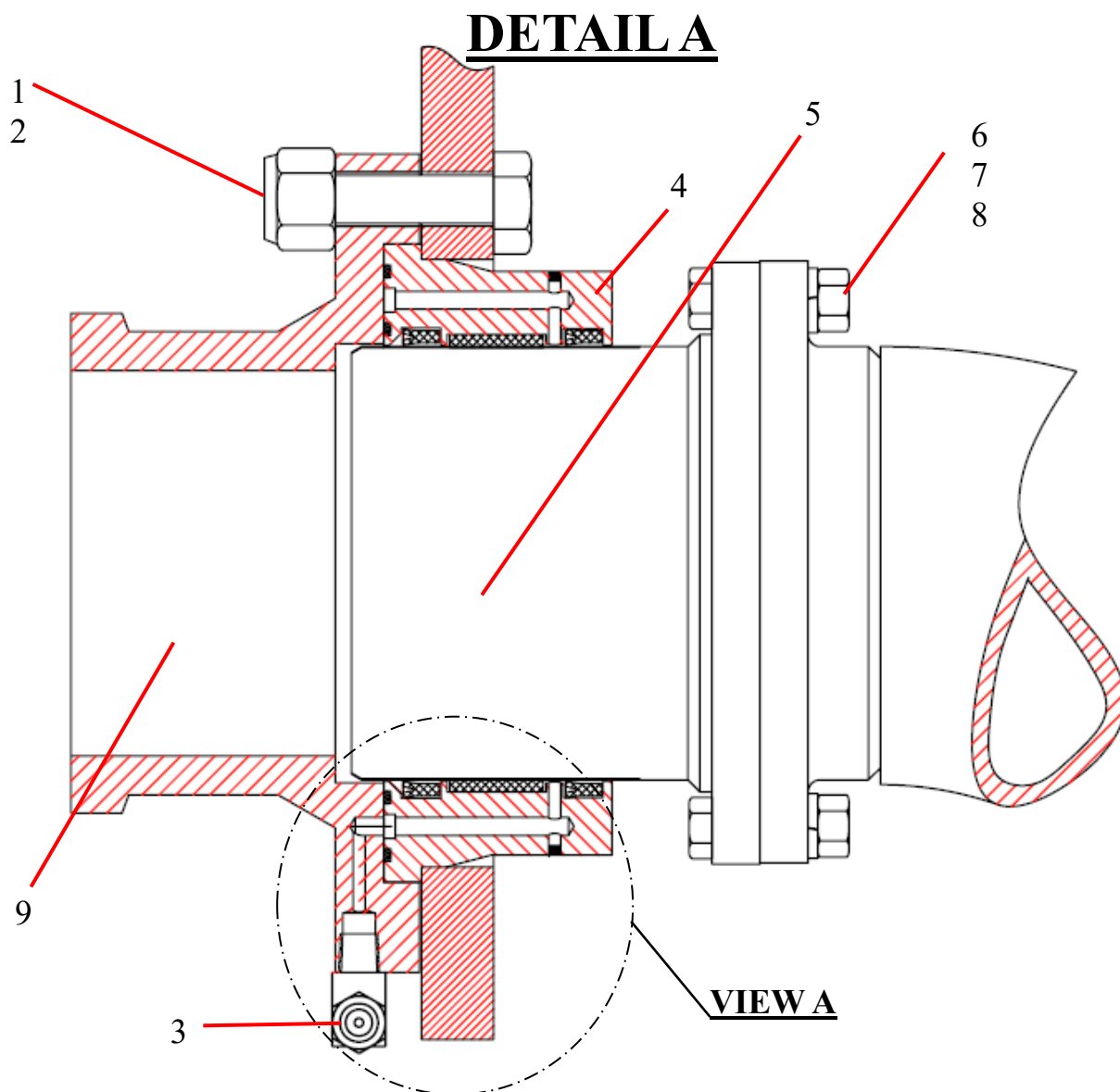


ID #	PART #	PART DESCRIPTION	QUANTITY	
	87894-8	DUAL SHIFT PUMPING TRAIN ASSEMBLY	1	EA
1	87893	HOPPER WELD MOD-B20HP STD DUAL	1	EA
2	71349	S TUBE WLD, 4X4	1	EA
3	88172	FLUSH BOX WELDMENT, B20/B20HP	1	EA
4	88180	BKT-PROX SENSOR, FLUSH BOX	2	EA
5	88179	BRACKET PROXIMITY SWITCH MOUNT	2	EA
6	10282	PLUGS-PIPE GALV 1"	1	EA
7	86665	STUD, 3/8-16 X3" LONG	1	EA
8		3/8-16 JAM NUT	1	EA
9	73433	COVER REMIX (OUTSIDE)	1	EA
10	73434	COVER PLATE (INSIDE)	1	EA
11	86623	SEAL, AGITATOR (INSIDE)	1	EA
12	86224HT	DRIVE CYLINDER -3.25 X 2.00 X 35.75	2	EA

PUMPING TRAIN ASSEMBLY CONTINUED



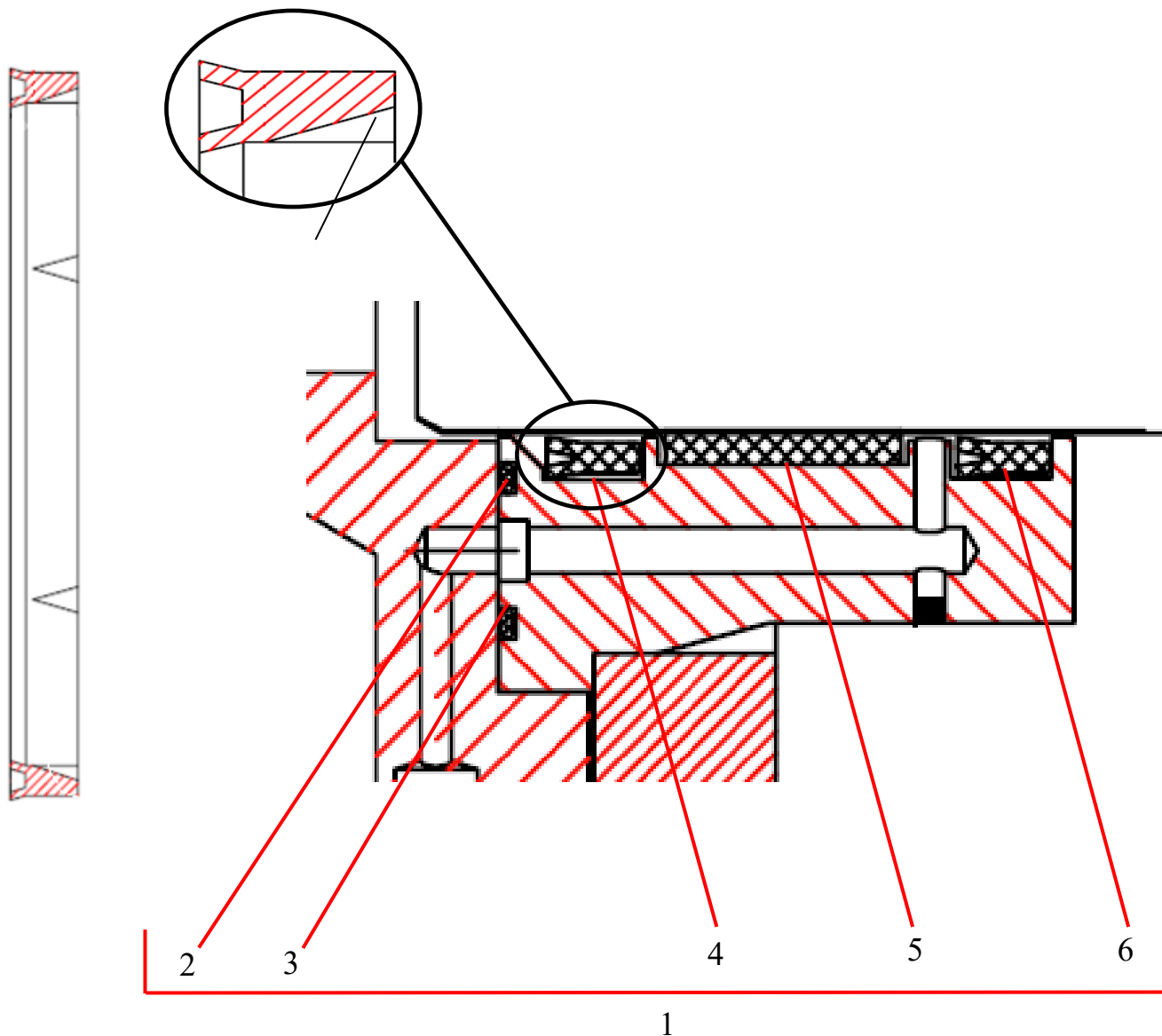
ID #	PART #	PART DESCRIPTION	QUANTITY	
1	703601	TIE ROD	2	EA
2	71232	CONCRETE CYLINDER, 4" X 36"	2	EA
3		ELBOW, MB – MJ-16-16	2	EA
4	85688	TUBE, HYD, LOOP LINE	1	EA
5	71401	END PLATE – HYD.CYL,B20 PAINTED	1	EA
6		HHCS, 1/2" – 13X1 1/4" GR	4	EA
7		LOCK WASHER, 1/2	4	EA
8		FLATWASHER, 1/2	4	EA
9		HEX NUT 1 1/4"- 12	4	EA
10		LOCK WASHER, 1 1/4"	4	EA
	NOTE*	TWO TIE RODS 85601		

S-TUBE**4" OUTLET ASSEMBLY**

ID #	PART #	PART DESCRIPTION	QUANTITY	
1		HHCS, 9/16-12 X 2 1/2 GR/8	6	EA
2		LOCK NUT, 9/16 -12	6	EA
3		GREASE FITTING, 1/8" NPT 90°	2	EA
4	86335	OUTLET SEAL HOUSING- 4"	1	EA
5	71343	CHROMED OUTLET	1	EA
6		HHCS, 3/8 - 16X1 1/2" GR 8	6	EA
7		HEX NUT, 3/8" - 16	6	EA
8		LOCK WASHER, 3/8"	6	EA
9	86336	OUTLET, 4" (1-PIECE)	1	EA

4" OUTLET SEAL KIT INSTALLATION

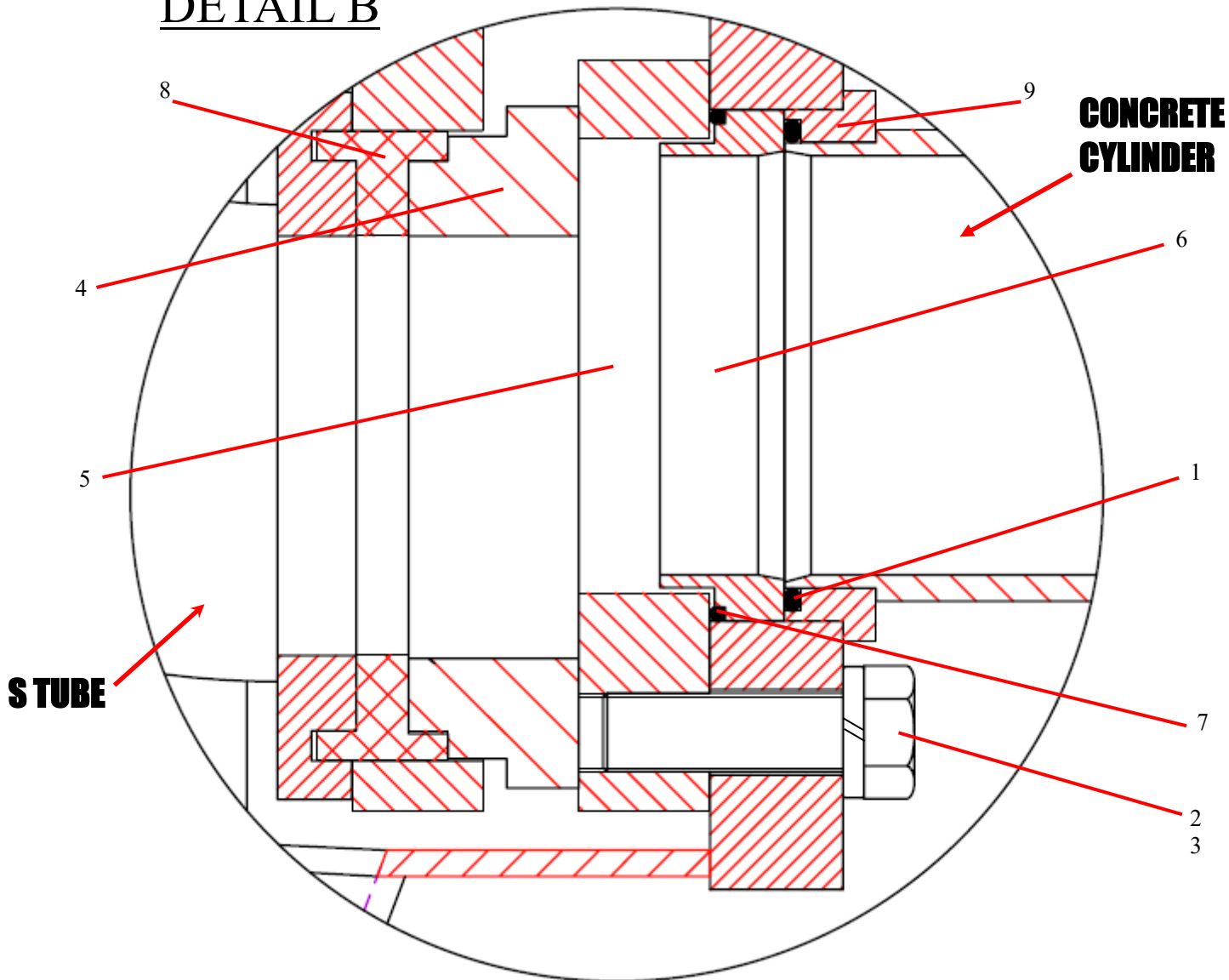
VIEW A



ID #	PART #	PART DESCRIPTION	QUANTITY	
1	86621	SEAL KIT	1	EA
2	86369	O-RING-#158 BUNA 90	1	EA
3	86370	O-RING-#163 BUNA 90	1	EA
4	86614	SEAL-MODIFIED- 4 IN OUTLET	1	EA
5	86371	GUIDE BAND - 4.75 OD X 1.00W	1	EA
6	86372	LIP SEAL -4.50 ID X 4.88 OD X.38	1	EA

WEAR PLATE ASSEMBLY

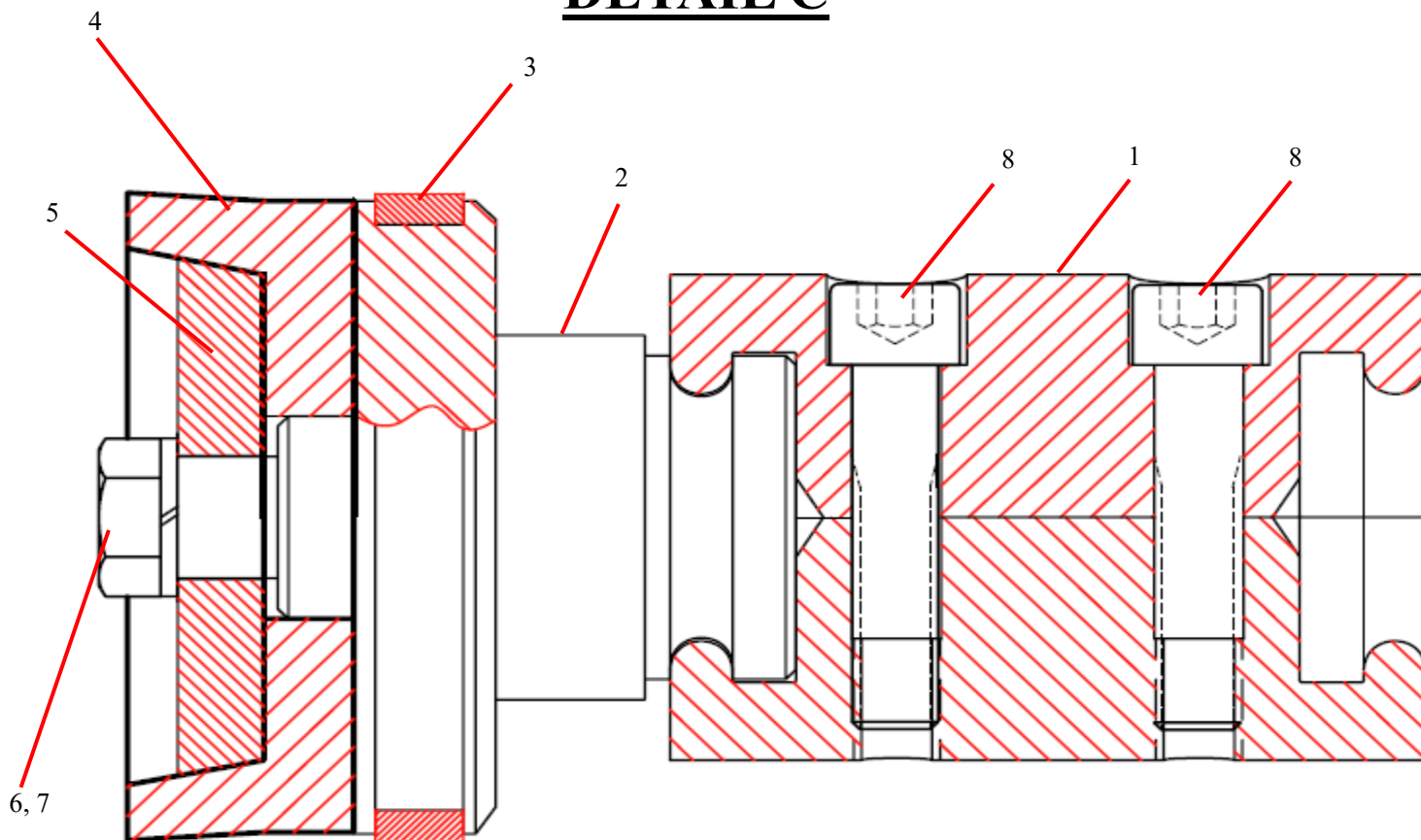
DETAIL B



ID #	PART #	PART DESCRIPTION	QUANTITY	
1	71249	O-RING, #347 BUENA 70	2	EA
2		HHCS, 3/4 - 10X 2 1/2" GR 8	5	EA
3		LOCK WASHER, 3/4"	5	EA
4	72384	WEAR RING, 4" DOUBLE LIP, 26% CHROME	1	EA
5	71251	WEAR PLATE-CAST 4" M20	1	EA
6	71254	ANTI CHIP RING, 4"	2	EA
7	71247	O-RING FOR CHIP RING	2	EA
8	72285	SEAL, DOUBLE LIP 4"	1	EA
9	71257	CONC, CYL. ADAPTER	2	EA

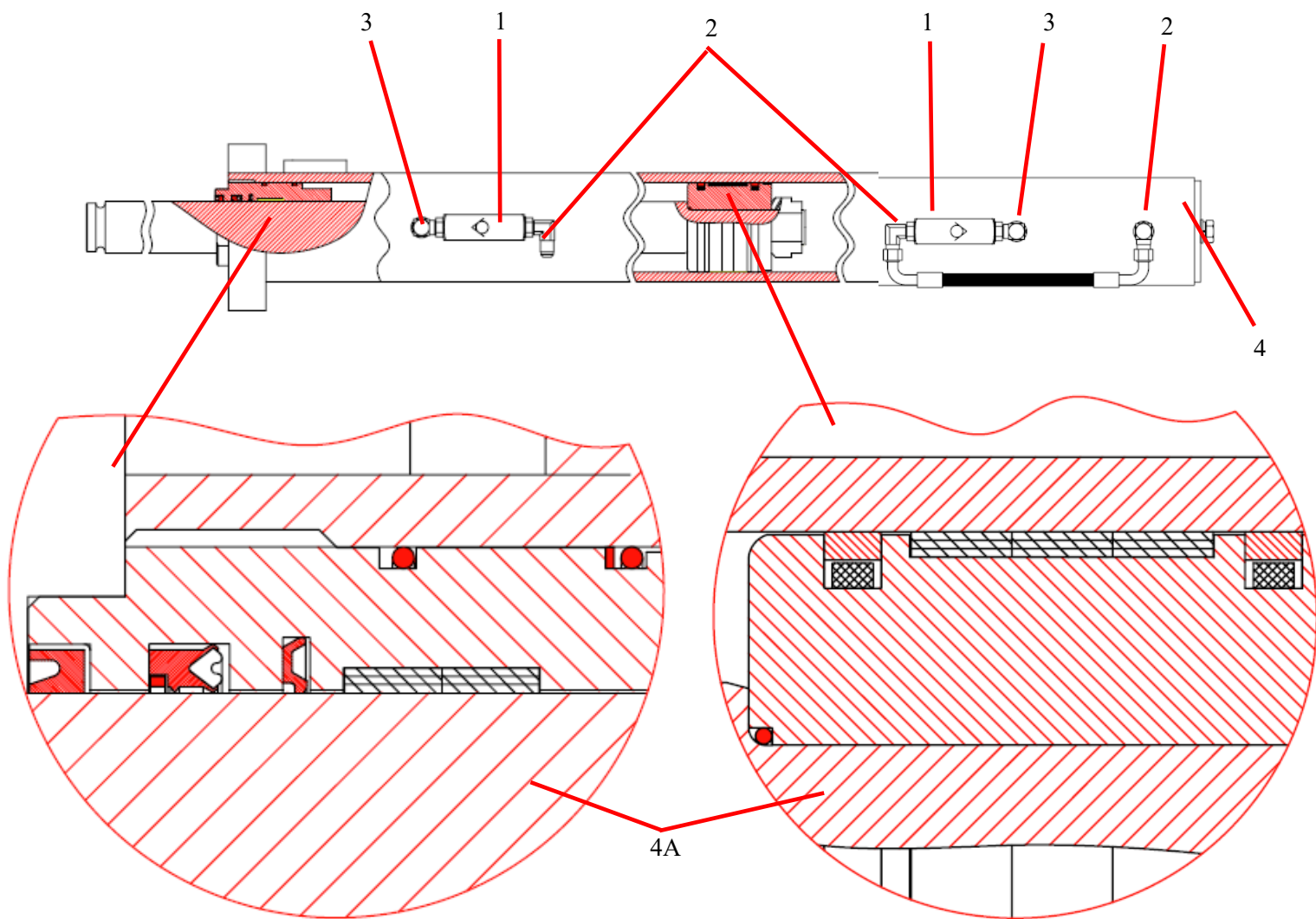
4" PISTON CUP ASSEMBLY

DETAIL C



ID #	PART #	PART DESCRIPTION	QUANTITY	
1	70077	PISTON COUPLING,	1	EA
2	87940	PISTON ADAPTER 4" WITH GUIDE BAND	1	EA
3	87994	WEAR RING(GUIDE BAND) 4"	1	EA
4	76500	PISTON CUP, 4 IN	1	EA
5	88011	PISTON PLATE 4" SINGLE BOLT	1	EA
6	87982	HHCS 3/4-16 1.5" LONG GR8 PLATED	1	EA
7	80010	LOCKWASHER-3/4 STL ZINC PLATED	1	EA
8		SHCS 1/2 - 13 X 2 1/4"	2	EA

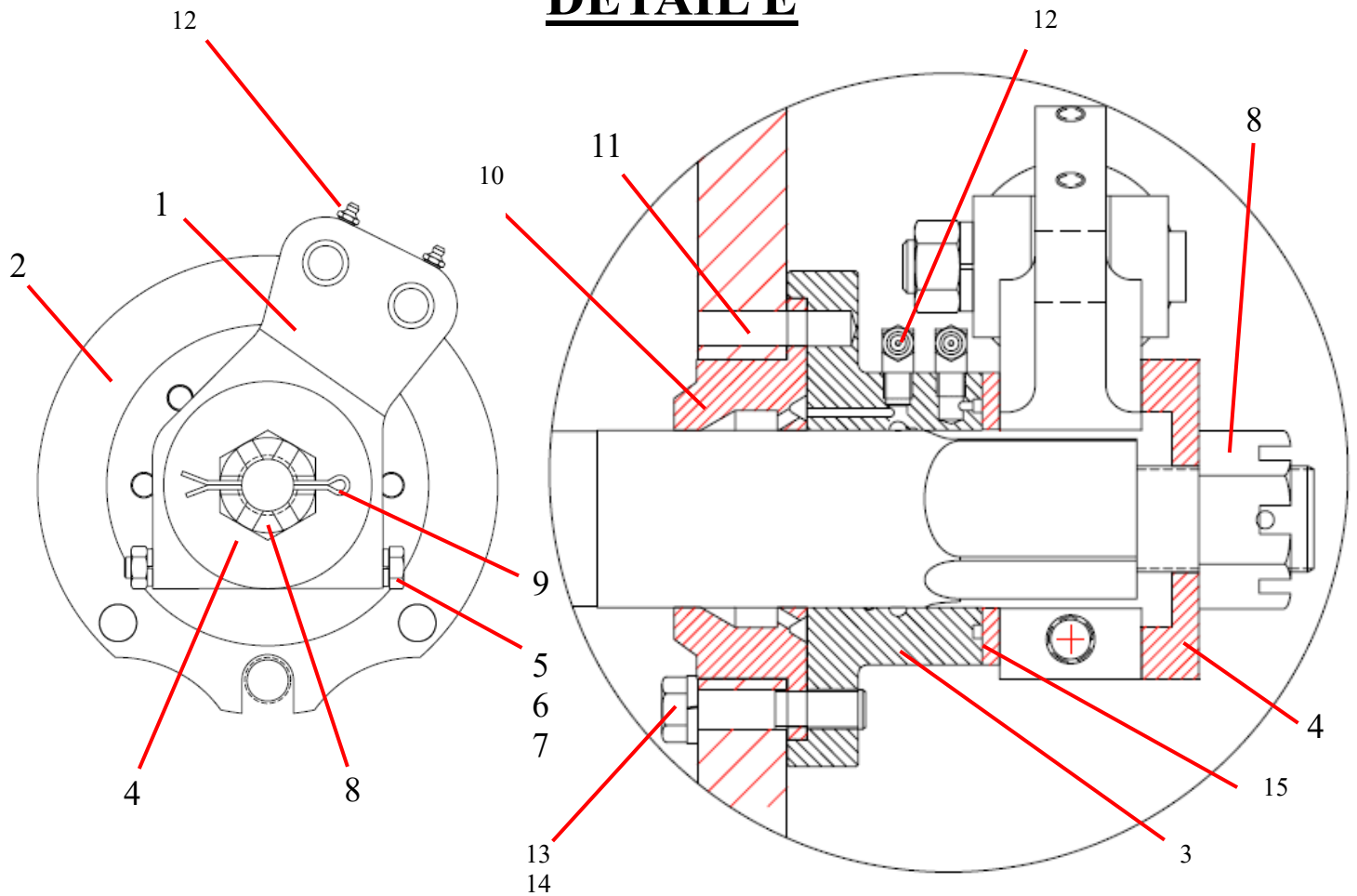
DRIVE CYLINDER ASSEMBLY



ID #	PART #	PART DESCRIPTION	QUANTITY	
	86304-2	HYD CYLINDER GROUP	REF	
1	78961	CHECK VALVE-5K PSI O-RING	2	EA
2	86748	FITTING-MB-MJ90-6-6	3	EA
3		ELBOW, MB-MB90-6-6	2	EA
4	86223HT	HYDRAULIC CYLINDER 3.50 X 2.00 X 35.75	1	EA
4A	86222A-SK	SEAL KIT	1	EA

DUAL SHIFT BELL CRANK ASSEMBLY

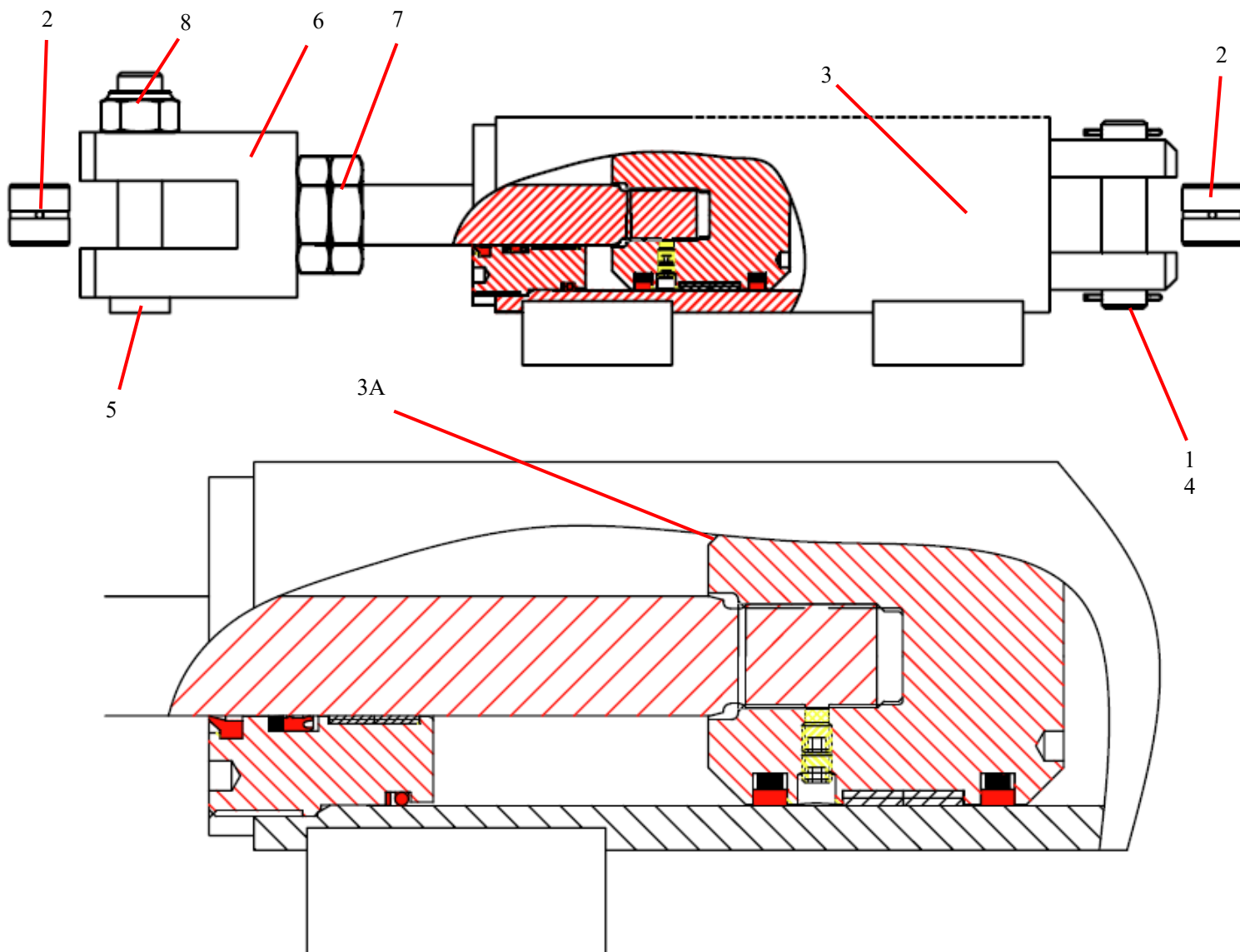
DETAIL E



ID #	PART #	PART DESCRIPTION	QUANTITY	
1	85604	BELL CRANK, B10R, 2 CYLINDER	1	EA
2	86502	LOCATOR RING- FLANGE BEARING	1	EA
3	70124	FLANGED BEARING	1	EA
4	70125	SPACER, S-TUBE NUT	1	EA
5		HHCS, 5/8"-18X5 1/2" GR 8	1	EA
6		LOCK WASHER, 5/8"	1	EA
7		JAM NUT, 5/8	1	EA
8	70825	NUT 1 1/2" - 12 CASTLE	1	EA
9		COTTER PIN, 1/4 X4"	1	EA
10	73564	SEAL, FLANGE BEARING 2.5 SHAFT	1	EA
11		DOWEL PIN, 1/2" DIA X 2"	2	EA
12		GREASE FITTING, 1/8" NPT	2	EA
13		HHCS, 9/16 - 12X3" GR 8	4	EA
14		LOCK WASHER, 9/16"	4	EA
15	70141	THRUST WASHER, S -TUBE	1	EA

DUAL SHIFT CYLINDER ASSEMBLY

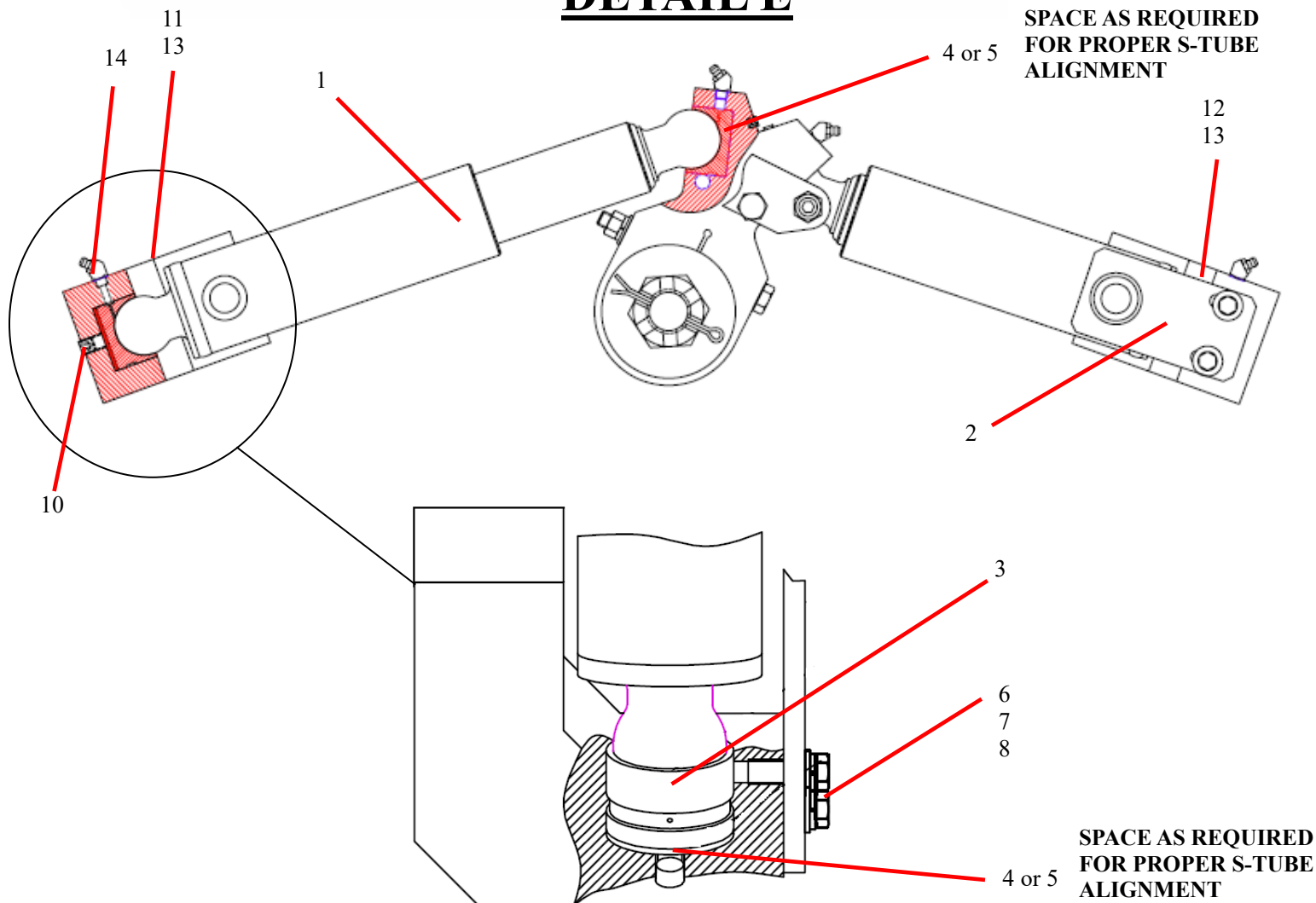
DETAIL E



ID #	PART #	PART DESCRIPTION	QUANTITY	
1	74207	PIN - CLEVIS - .750 DIA	1	EA
2	71011	BUSHING - SHIFT CYLINDER	1	EA
3	86221-1HT	SWING CYLINDER 2.50 X 1.00 X 5.00	2	EA
3A	86221A-SK	SEAL KIT	2	EA
4		COTTER PIN, 3/32X1 3/4"	2	EA
5	70142	PIN, CLEVIS	1	EA
6	70143	CLEVIS, SHIFT CYLINDER	1	EA
7		1"X14 JAM NUT	2	EA
8		3/4 - 10 LOCK NUT	1	EA

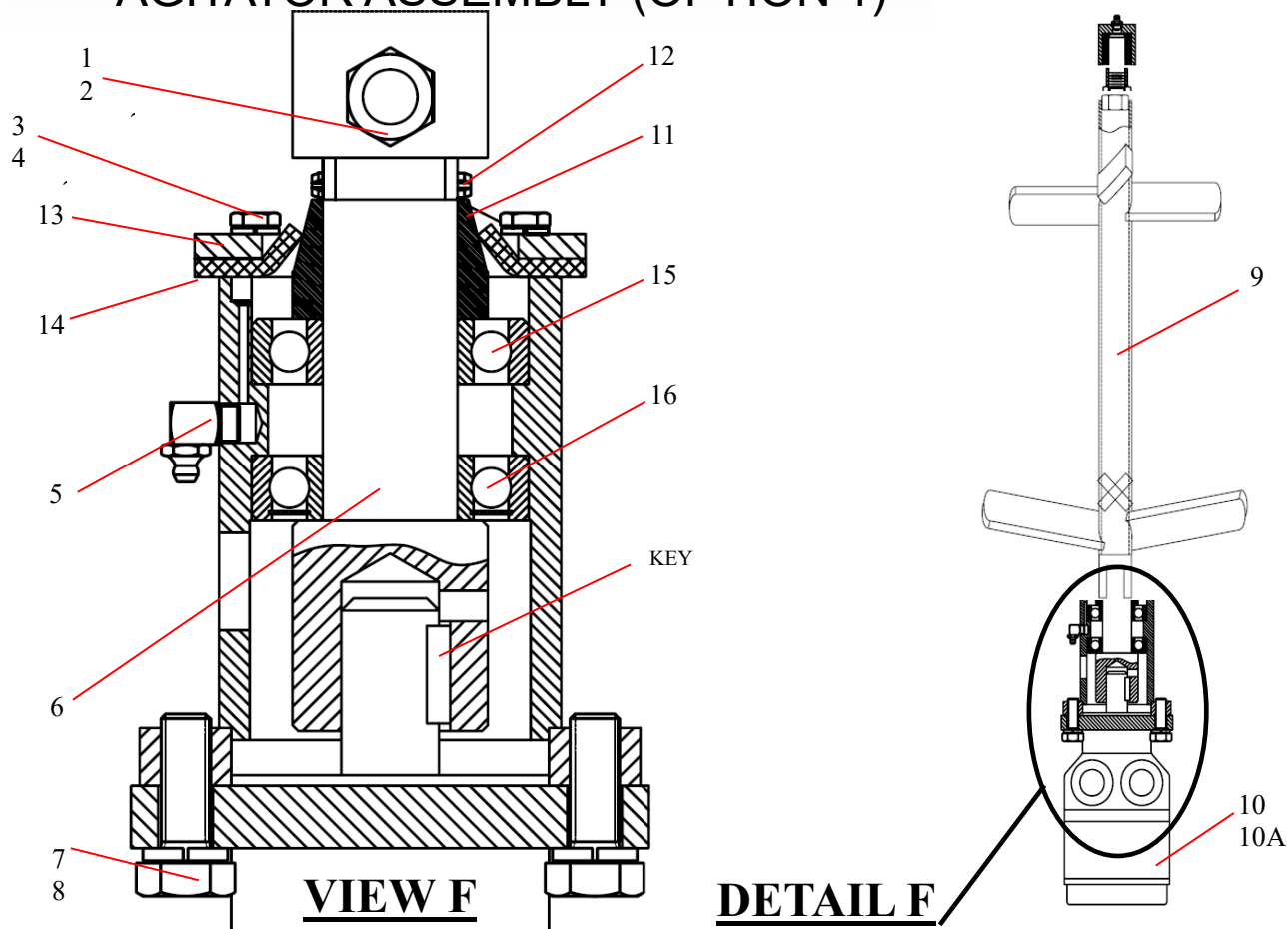
DUAL SHIFT ASSEMBLY

DETAIL E



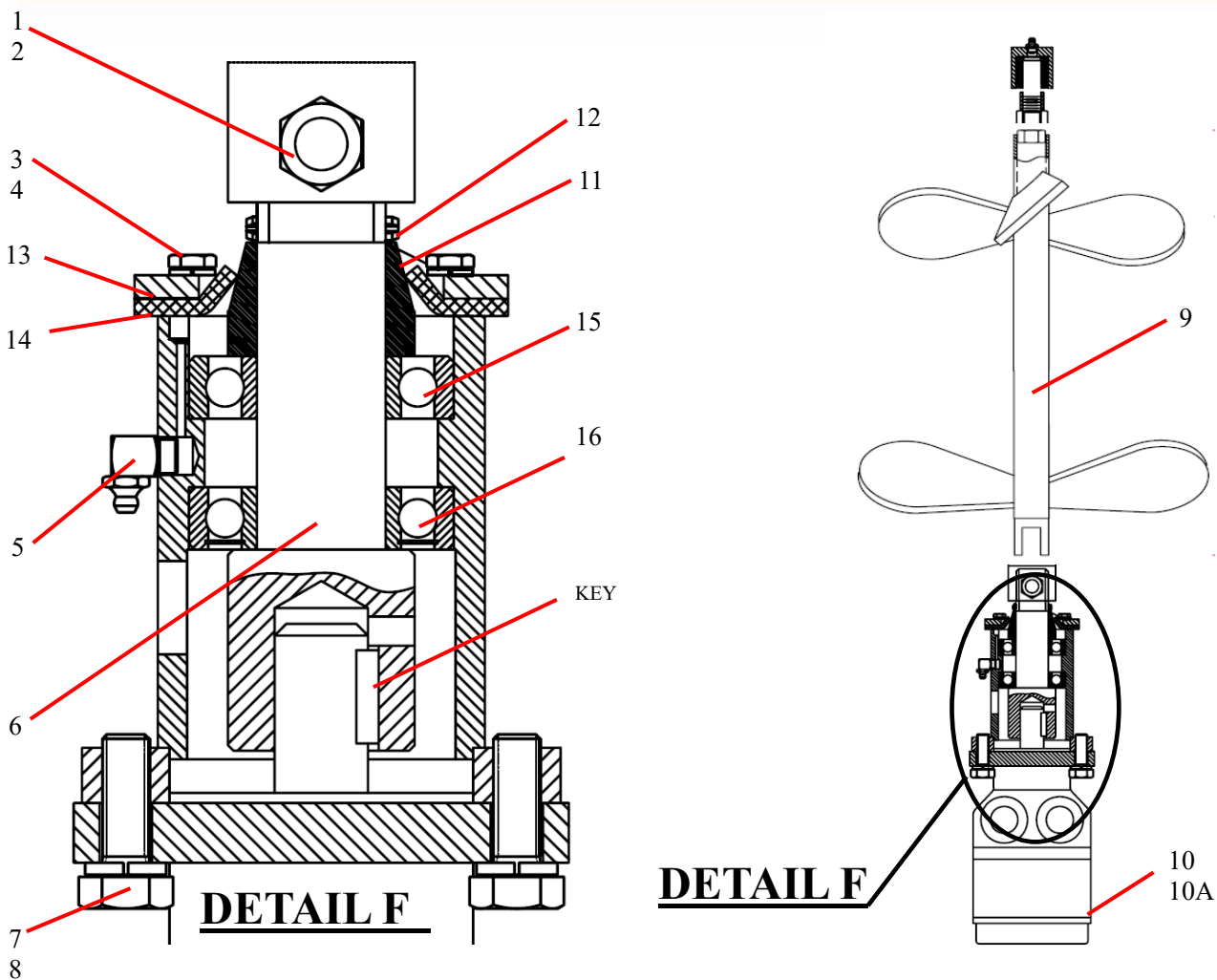
ID #	PART #	PART DESCRIPTION	QUANTITY	
1	86220HT	SWING RAM – 2.5 X 5.75 STROKE	REF	
2	86441	RETAINER, SWING RAM	2	EA
3	76798-1	BALL SOCKET, NYLON	4	EA
4	75501	SPACER 1/8"	A/R	EA
5	75502	SPACER 1/16"	A/R	EA
6		HHCS, 3/8-24X1 1/4" GR8	4	EA
7		WASHER, 3/8"	4	EA
8		LOCK WASHER, 3/8"	4	EA
10	86283	SETSCREW – 5/8 -11X2.00 CUP	2	EA
11	85941	HOUSING,RH SWING RAM	1	EA
12	85942	HOUSING, LH SWING RAM	1	EA
13	86052	DOWEL PIN, 1/2" DIA X 2"	4	EA
14		GREASE FITTING, 1/8" NPT	2	EA

HOPPER AGITATOR ASSEMBLY (OPTION 1)

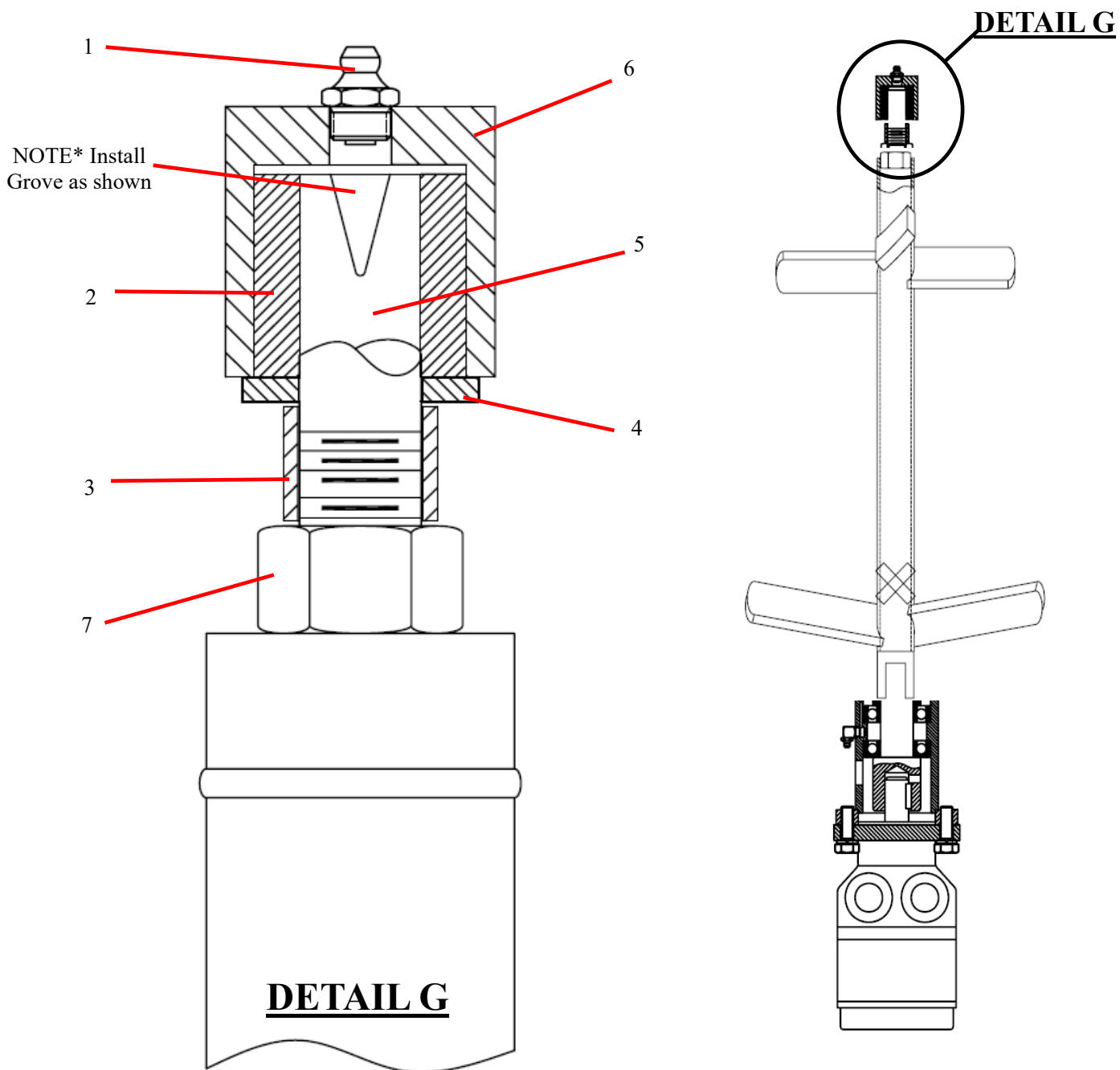


ID#	PART #	PART DESCRIPTION	QUANTITY	
	88041-A1	AGITATOR ASSEMBLY		
1		HHCS, 1/2" -13X2 1/4" GR 8	1	EA
2		LOCK NUT, 1/2" -13	1	EA
3		1/4"-28X3/4"	6	EA
4		LOCK WASHER, 1/4"	6	EA
5		GREASE FITTING, 1/8" NPT 90°	1	EA
6	85923	SHAFT, AGITATOR	1	EA
7		HHCS, 1/2" -20X1 1/2" GR 8	2	EA
8		LOCK WASHER, 1/2"	2	EA
9	85717	AGITATOR, PADDLE-B20	1	EA
10	85811	HYD MOTOR, 45.6 CID, 1" SHAFT	1	EA
10A	85809SK	SEAL KIT	1	EA
11	85976	WEAR RING, AGITATOR	1	EA
12		SPRING PIN, 1/4" DIA X 1 3/4"	1	EA
13	70211	FLANGE SEAL S/W	1	EA
14	70212	SEAL REMIXER	1	EA
15	85978	BEARING, BALL, PLAIN	1	EA
16	85979	BEARING, BALL 1 SEAL	1	EA

AGITATOR ASSEMBLY (OPTION 2)

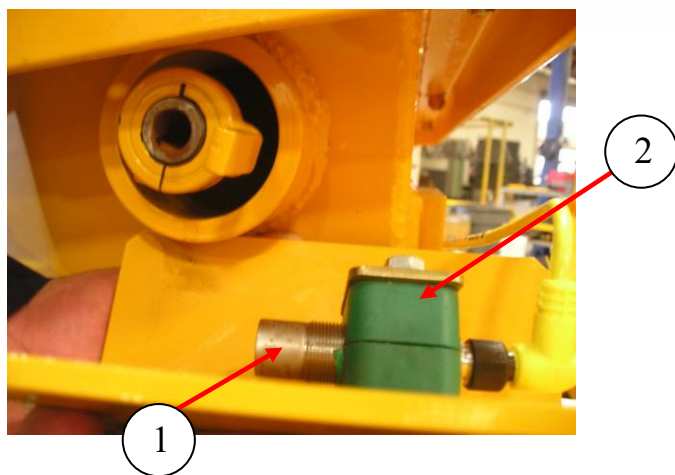
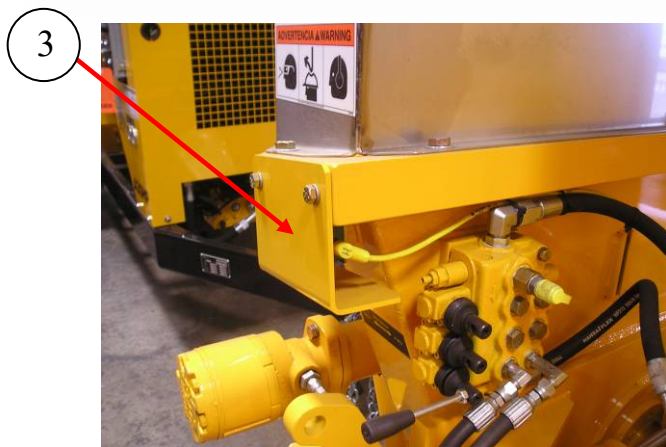


Part Number	Quantity	Description	Material	Notes
85761		AGITATOR ASSEMBLY		
1	1	HHCS, 1/2 -13X2 1/4" GR 8		EA
2	1	LOCK NUT, 1/2" -13		EA
3	6	1/4-28X3/4"		EA
4	6	LOCK WASHER, 1/4"		EA
5	1	GREASE FITTING, 1/8" NPT 90°		EA
6	1	SHAFT, AGITATOR		EA
7	2	HHCS, 1/2 -20X1 1/2" GR 8		EA
8	2	LOCK WASHER, 1/2"		EA
9	1	AGITATOR, PADDLE-B20		EA
10	1	HYD MOTOR, 45.6 CID, 1" SHAFT		EA
10A	1	SEAL KIT		EA
11	1	WEAR RING, AGITATOR		EA
12	1	SPRING PIN, 1/4" DIA X 1 3/4"		EA
13	1	FLANGE SEAL S/W		EA
14	1	SEAL REMIXER		EA
15	1	BEARING, BALL, PLAIN		EA
16	1	BEARING, BALL 1 SEAL		EA



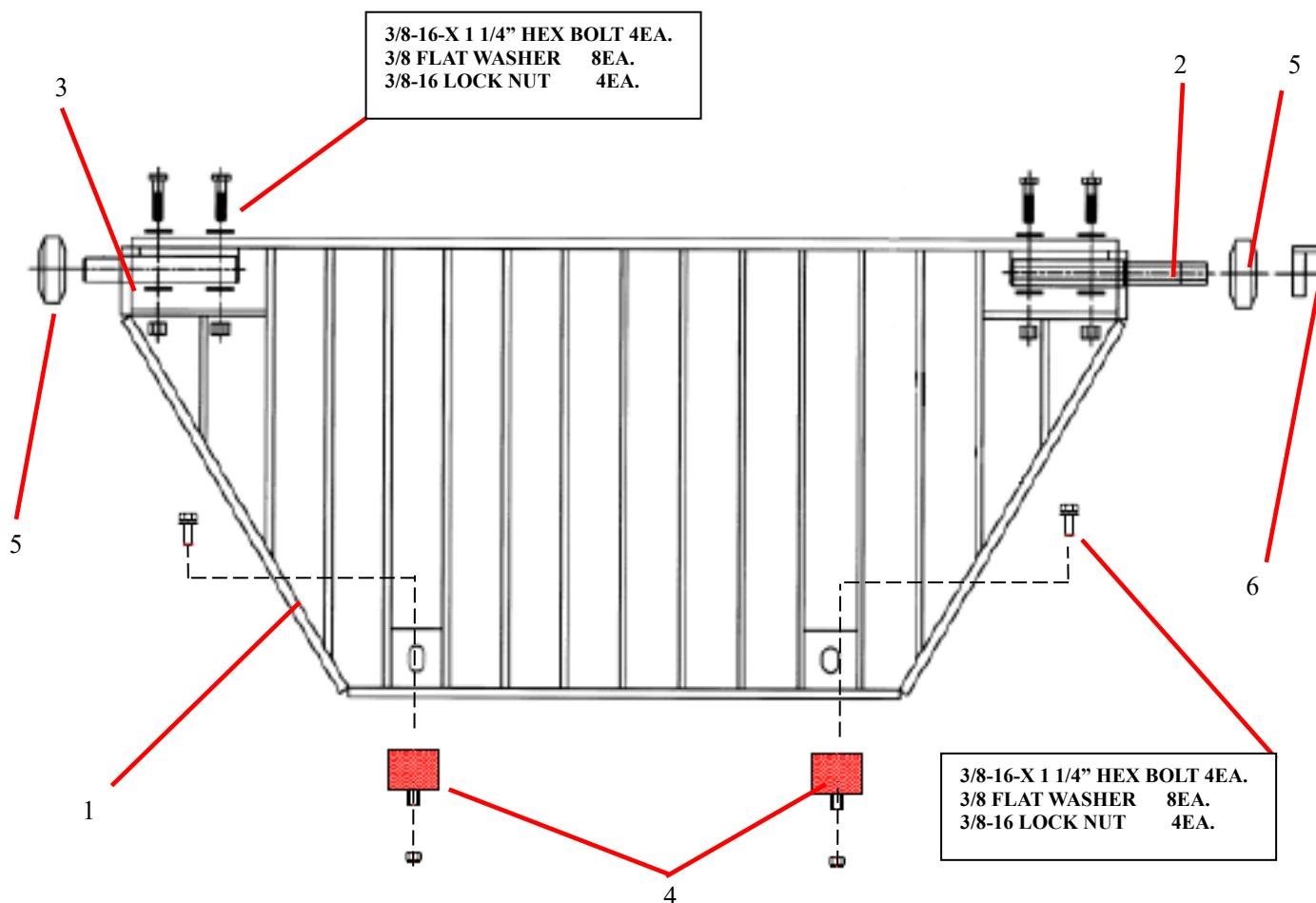
ID #	PART #	PART DESCRIPTION	QUANTITY	
1		GREASE FITTING, 1/8" NPT STRAIT	1	EA
2	70219	REMIX SHAFT BUSHING	1	EA
3	77877	SPACER, REMIX	1	EA
4	86824	FLAT WASHER, 3/4" SAE	1	EA
5	70214	IDLER SHAFT, AGITATOR	1	EA
6	70210	IDLER BREARING HOUSING	1	EA
7	80030	HEX NUT-M20X2.5 PLATED	1	EA

SAFETY GRATE



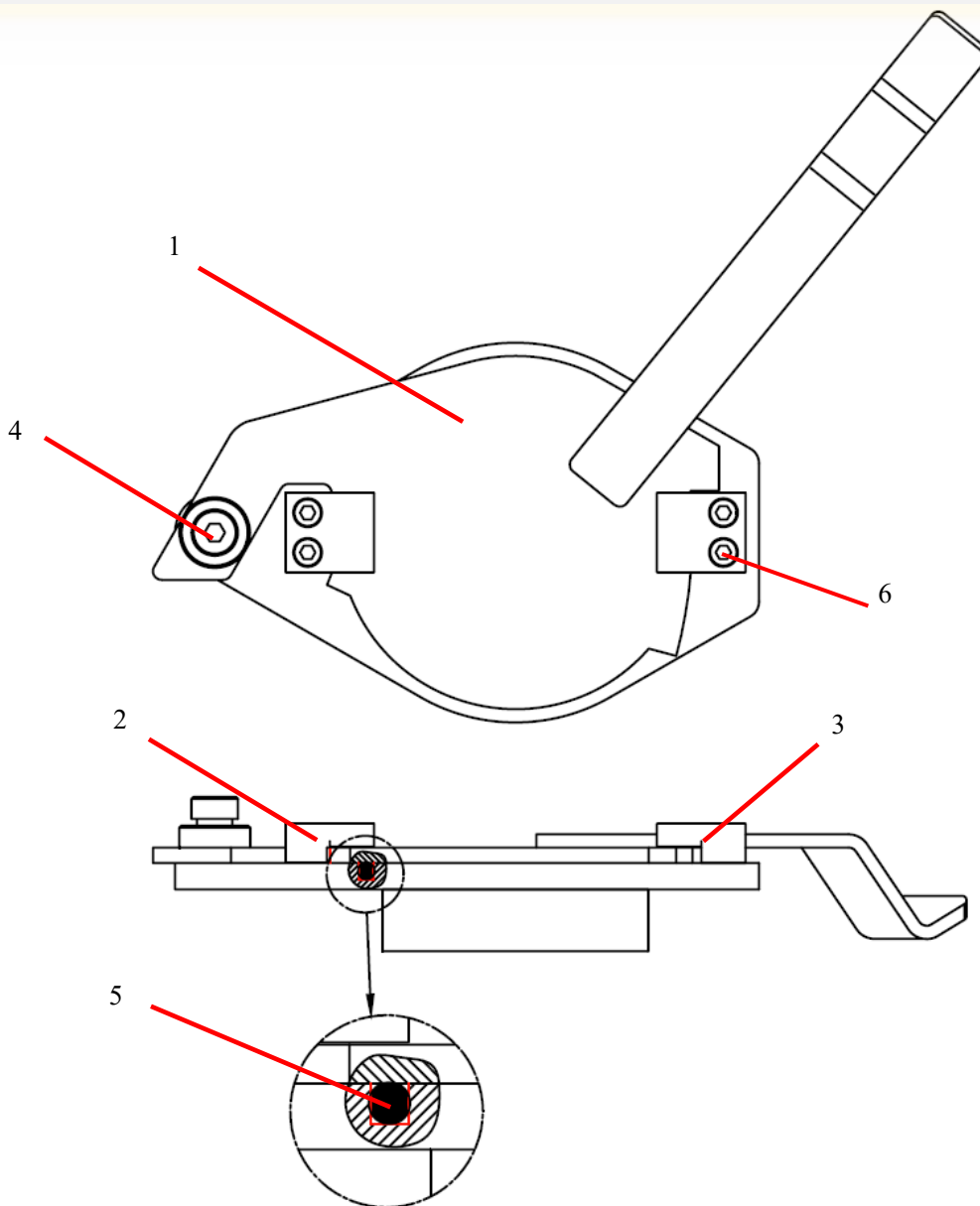
ID #	PART #	PART DESCRIPTION	QUANTITY	
1	87369	PROXIMITY SENSOR PNP HOPPER GRATE	1	EA
2	801902-006	CLAMP,18MM TUBE CLAMP SET	1	EA
3	87997	COVER WELD PROX SWITCH HOPPER	1	EA

GRATE ASSEMBLY



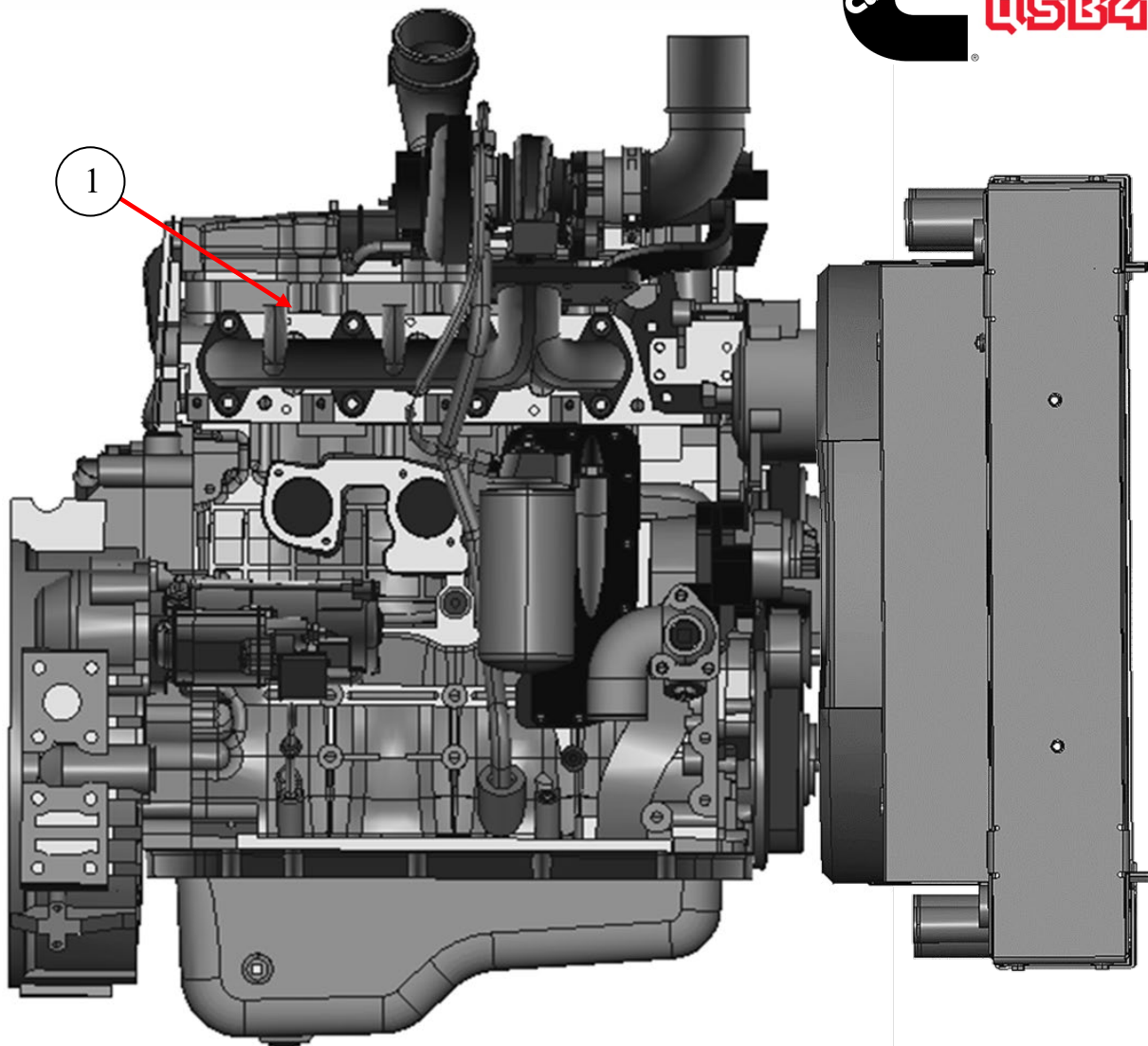
ID #	PART #	PART DESCRIPTION	QUANTITY	
1	87892	GRATE WELDMNT, STD HOPPER	1	EA
2	87857	PIN WELDMNT LONG	1	EA
3	87858	PIN WELDMNT SHORT	1	EA
4	86083	BUMPER, HOPPER GRATE	2	EA
5	W-114850	RUBBER BUFFER 65X22.5X26	2	EA
6	87769	COLLAR SHAFT, 7/8" DIA	1	EA

CLEAN OUT-DOOR ASSEMBLY



ID #	PART #	PART DESCRIPTION	QUANTITY	
1	86988	DOOR WELDMENT, CLEAN OUT	1	EA
2	86559	BLOCK, CLEAN OUT DOOR, LH	1	EA
3	86560	BLOCK, CLEAN OUT DOOR, RH	1	EA
4	86922	SHOULDER SCREW 1" DIA-1 1/4"	1	EA
5	W102908A	O-RING CORD, HOPPER DOOR	2.21	FT
6		SHCS 1/2"-13 X 1 1/4"	4	EA

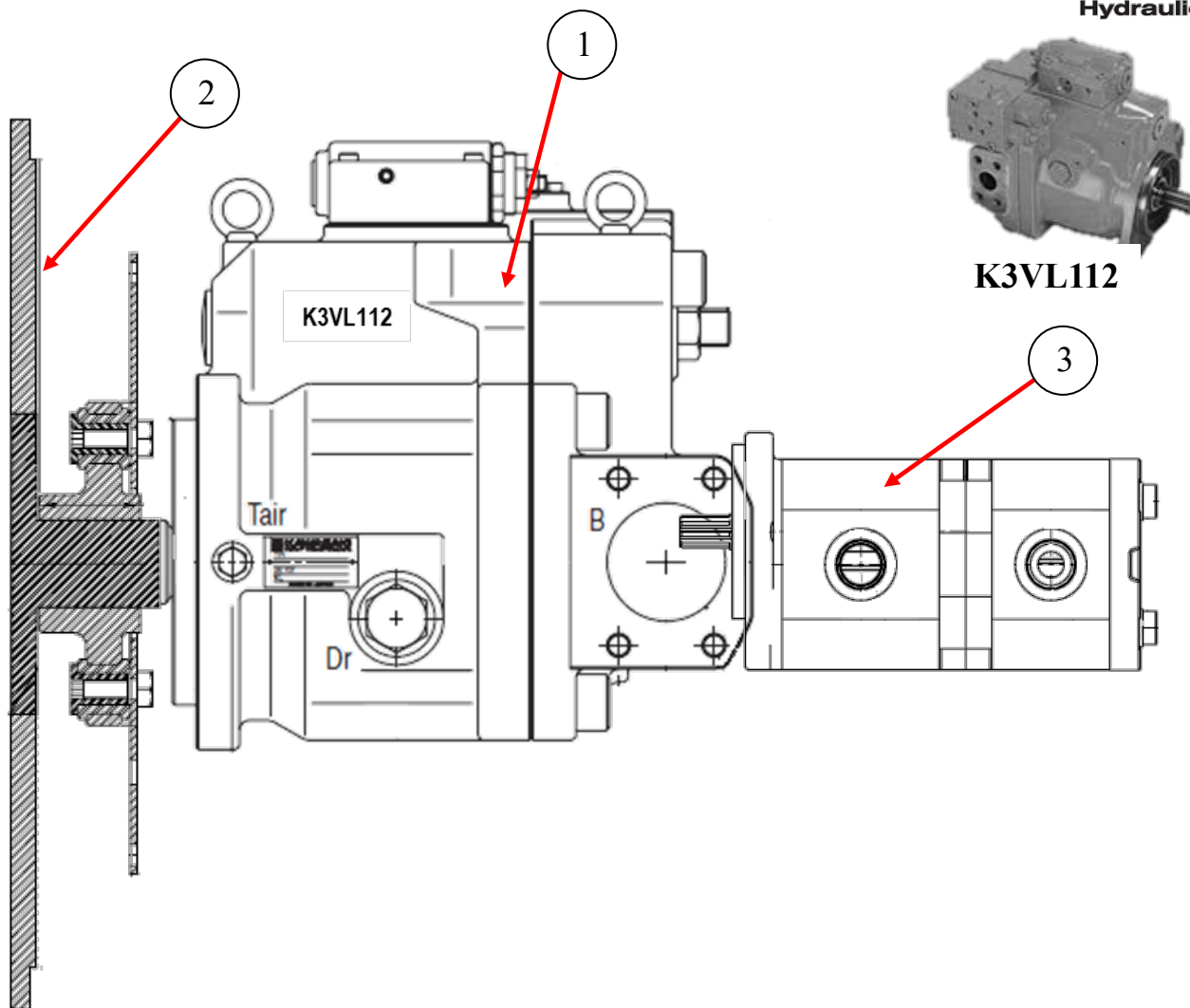
POWER TRAIN GROUP
ENGINE TIER-4



ID #	PART #	PART DESCRIPTION	QUANTITY	
	89660	POWER TRAIN ASSY B20HP 130 CUM/KAW	REF	
1	88876	ENGINE QSB4.5 130 HP CUMMINS TIER-4	1	EA

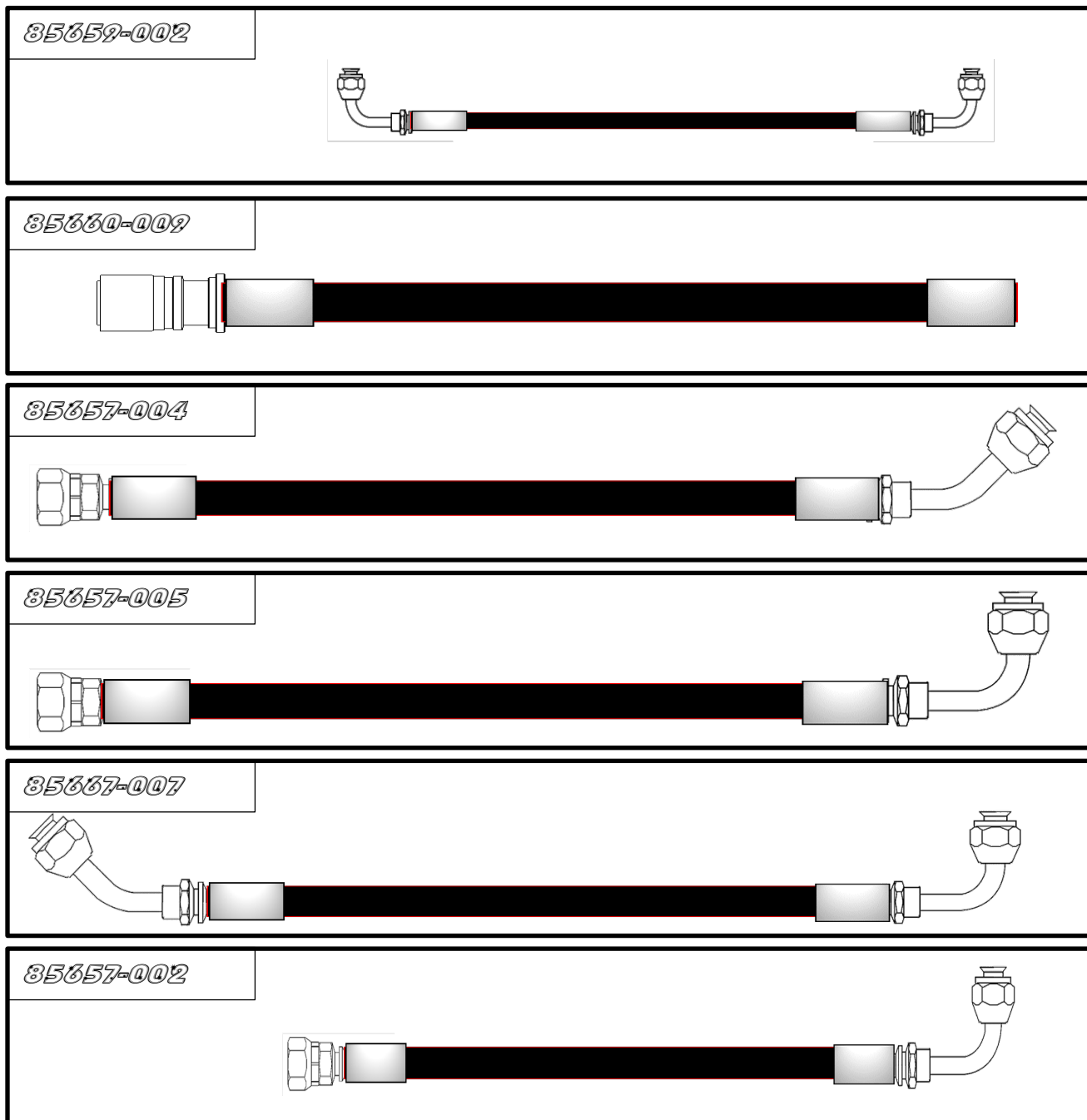
MAIN HYDRAULIC PUMP GEAR PUMP/PUMP DRIVE

Kawasaki
Hydraulics



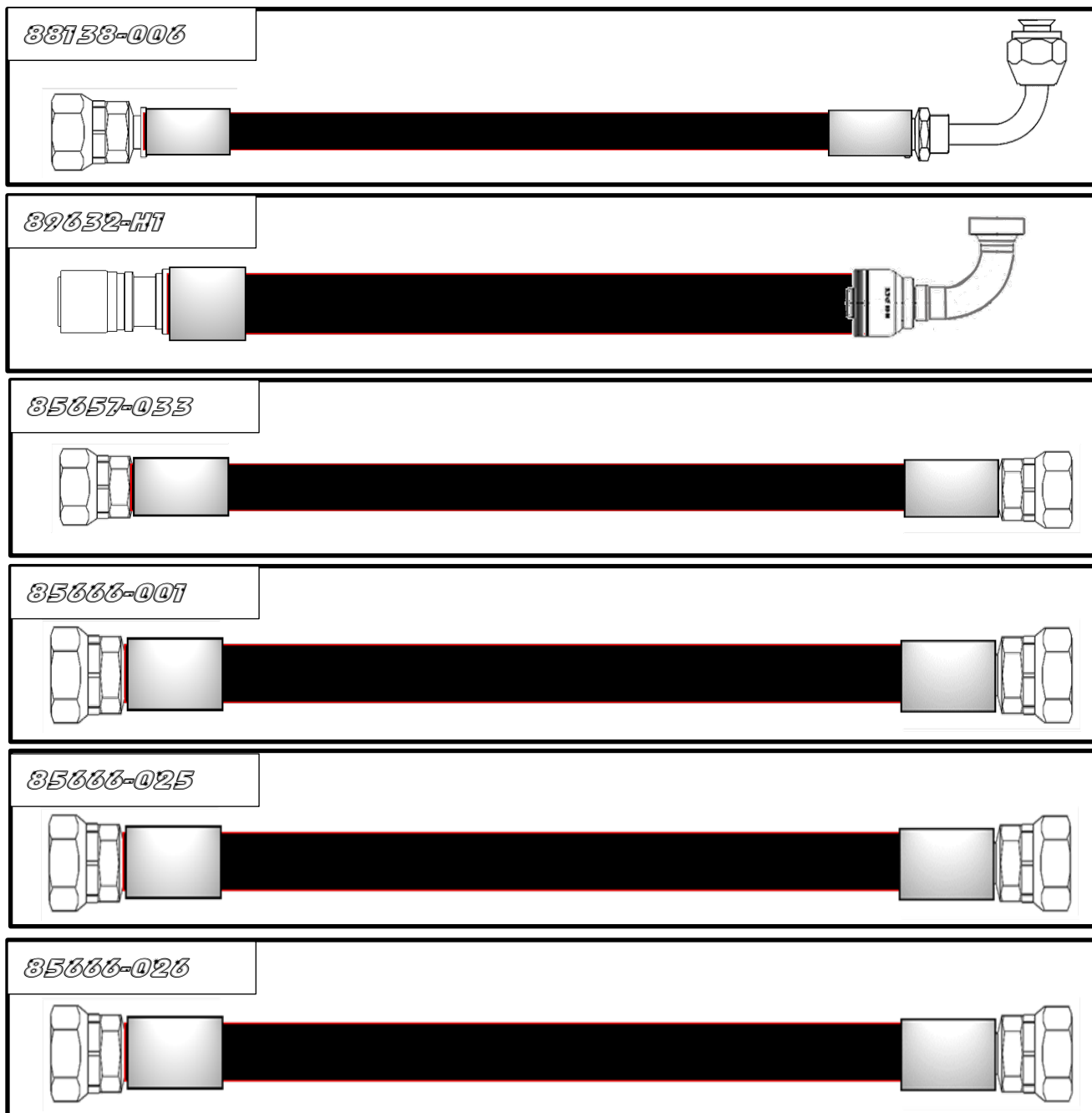
ID #	PART #	PART DESCRIPTION	QUANTITY	
1	85124-004	PUMP, KV3L112 KAWASAKI, 75HP	1	EA
2	87360	PUMP DRIVE -SAE 3 – SAE,D	1	EA
3	87153-001	PUMP-RH-DBLE GEAR, 11. 3/8.2 CC BOSCH	1	EA
4	88174	O-RING	1	EA

HOSE KIT



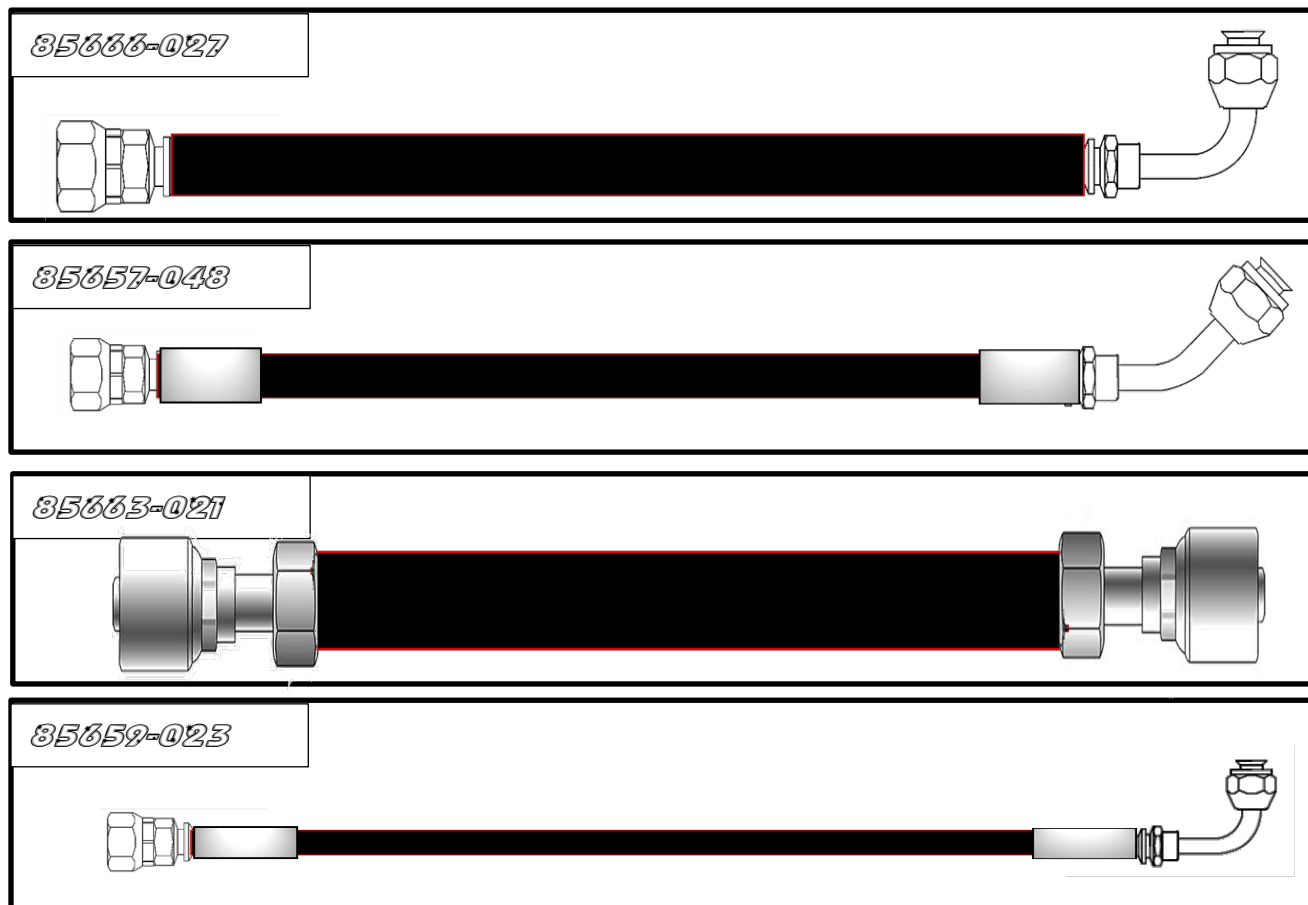
ID #	PART #	PART DESCRIPTION	QUANTITY	
	89663	HOSE KIT	REF	
REF	85659-002	HOSE, 4M2T-6FJX90S-6FJX90S-11.25	4	EA
REF	85660-009	HOSE, 40G4H-NO ENDS-27.50	1	EA
REF	85657-004	HOSE, 8M2T-10FJX-10FJX45-33.00	1	EA
REF	85657-005	HOSE, 8M2T-10FJX-10FJX90S-28.00	1	EA
REF	85667-007	HOSE, 12G5K-12FJX-12FJX90-42.50	1	EA
REF	85657-002	HOSE, 8M2T-10FJX-10FJX90S-19.50	4	EA

HOSE KIT



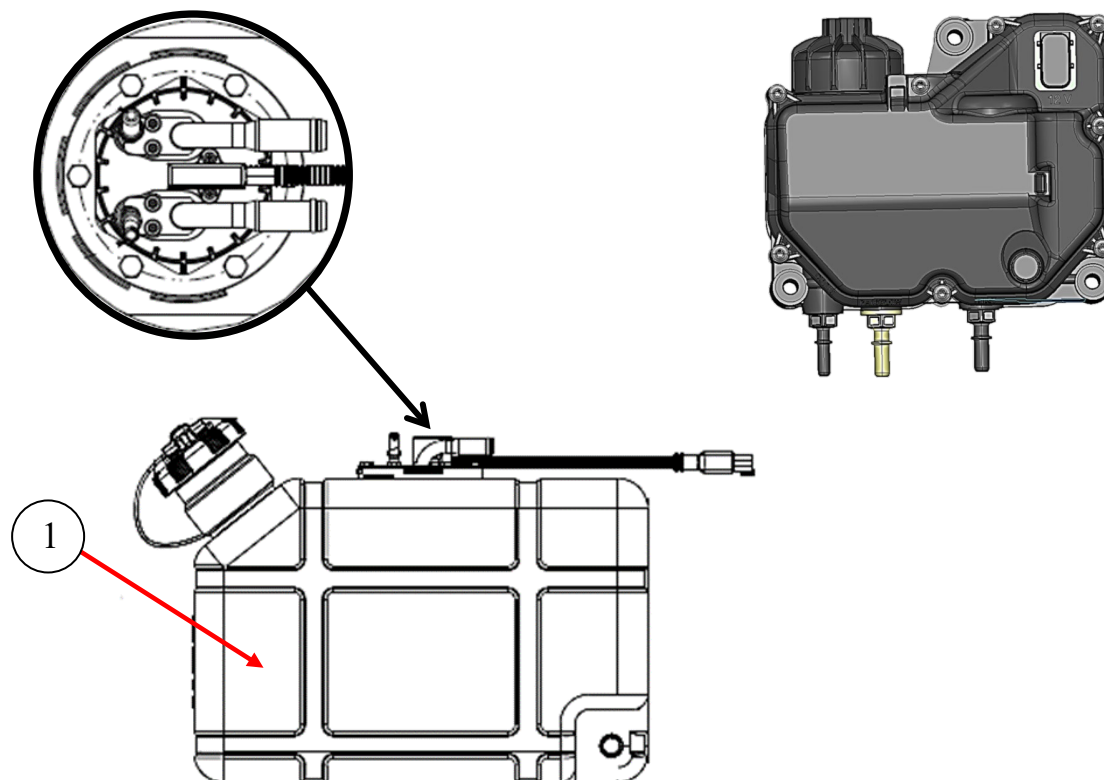
ID #	PART #	PART DESCRIPTION	QUANTITY	
	89663	HOSE KIT	REF	
REF	88138-006	HOSE, 16M1T-16FJX-16FJX90-94.0"	1	EA
REF	89632-H1	PSGB132 X IN118 FLB FLB90 V180N	1	EA
REF	85657-033	HOSE, 8M2T-10FJX-10FJX-24.00	1	EA
REF	85666-001	HOSE, 16C13-16FJX-16FJX-30.00	1	EA
REF	85666-025	HOSE, 16G5K-16FJX-16FJX-60.00	1	EA
REF	85666-026	HOSE, 16G5K-16FJX-16FJX-69.00	1	EA

HOSE KIT



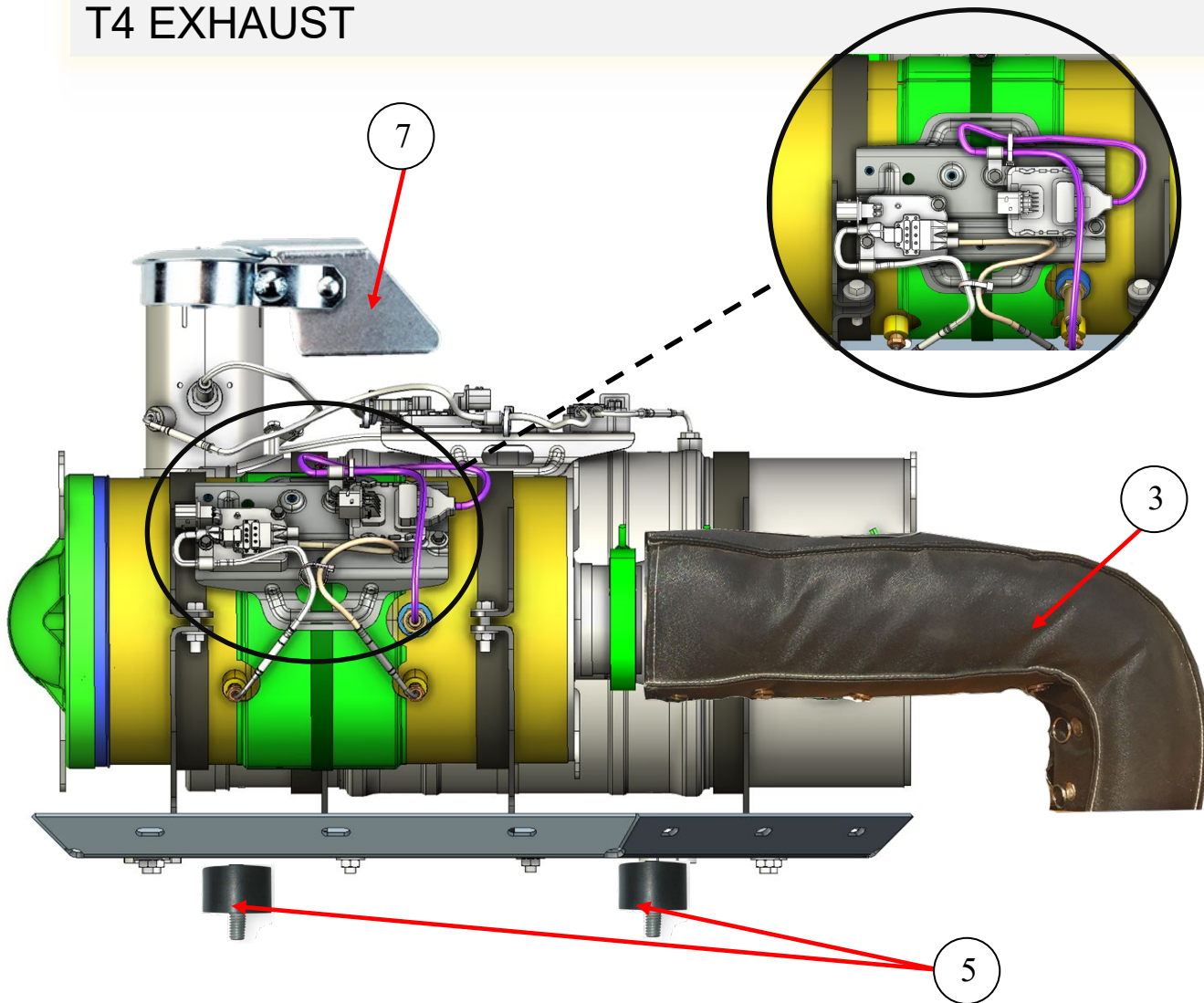
ID #	PART #	PART DESCRIPTION	QUANTITY	
	89663	HOSE KIT	REF	
REF	85666-027	HOSE, 16G5K-16FJX-16FJX90S-55.0	2	EA
REF	85657-048	HOSE, 8M2T-10FJX-10FJX45S-39.00	2	EA
REF	85663-021	HOSE, 20G4H-20FJX-20FJX-30.00	1	EA
REF	85659-023	HOSE, 4M2T-6FJX-6FJX90S-27.00	1	EA

DEF COOLANT GROUP

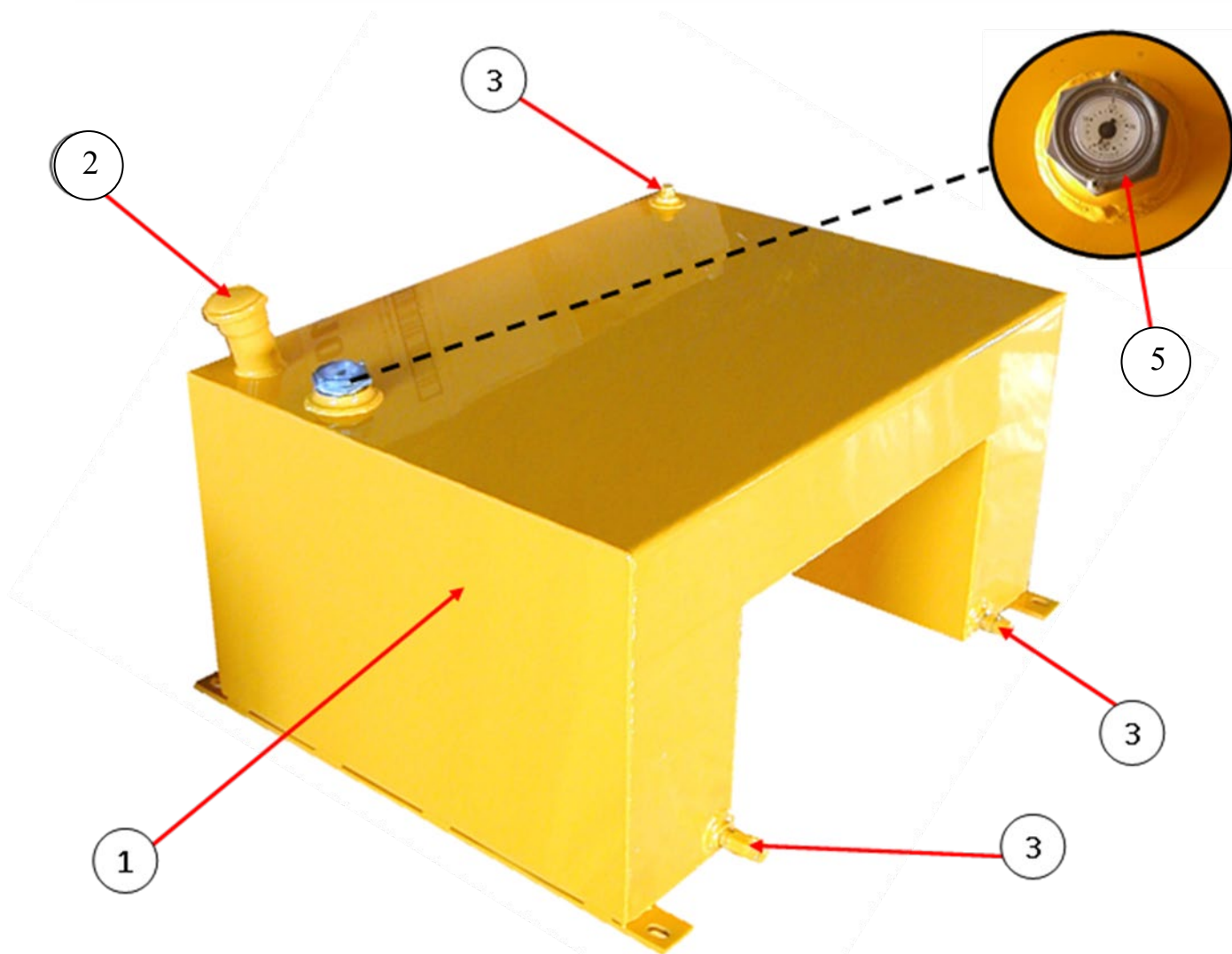


ID #	PART #	PART DESCRIPTION	QUANTITY	
	89267	DEF COOLANT GROUP	REF	
1	88794-DT	DEF TANK	1	EA
	89267	ADAPTER, TEMP SENSOR	1	EA
	89346	HOLD DOWN STRAP, 1"	2	EA
	89268	COOLANT MANIFOLD	1	EA
	89268-B	MANIFOLD BRACKET	1	EA
	89269	BRASS FITTING, 1/2" NPT TO 5/8" QC	6	EA
	89269-1	QUICK CONNECT FITTING, 5/8"	5	EA
	89269-2	QUICK CONNECT FITTING, 5/8" ELBOW	1	EA
	89269-C	STEPLESS HOSECLAMP, 5/8"	10	EA
	89269-H	COOLANT HOSE, 5/8"	12	FT
	89270	BRASS FITTING, 3/8NPT TO 3/8 QC	2	EA
	89270-1	QUICK CONNECT FITTING, 3/8"	2	EA
	89270-2	QUICK CONNECT FITTING, 3/8" ELBOW	2	EA
	89270-C	STEPLESS HOSECLAMP, 3/8"	4	EA
	89270-H	COOLANT HOSE, 3/8"	18	FT

T4 EXHAUST

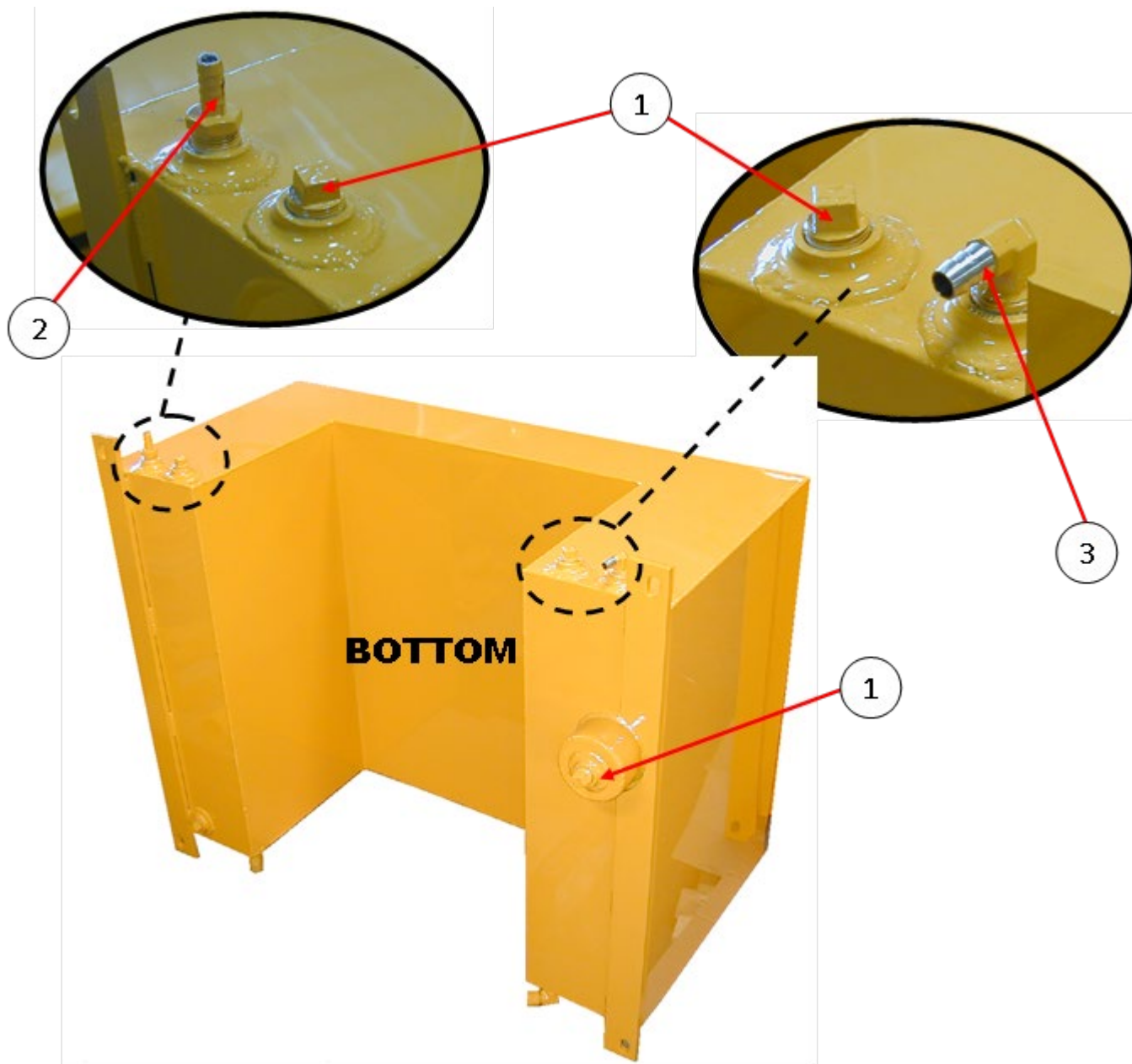


ID #	PART #	PART DESCRIPTION	QUANTITY	
1	88016	BRACKET 4 CYL CUMMINS EXHAUST	1	EA
2	74679	PLUG 1/4" NPT SOCKET HEAD	1	EA
3	89348	HEAT BLANKET	2.5	EA
4	89424	T4 ROOF HARNESS SUPPORT, C-SERIES	1	EA
5	W-114850	RUBBER BUFFER, 65X22.5X26	2	EA
6	89638	ROUND SPRING ST. WIRE PROTECTIVE 60MM	2.75	EA
7	77597	RAIN CAP-4" ZINC	1	EA
8	89700	THERMA SHIELD WRAP 1"	1	EA
9	89701	THERMA SHIELD WRAP 2"	1	EA
10	89771	CLAMP, 1.5" ID SINGLE	1	EA

TANKS**FUEL TANK ASSEMBLY**

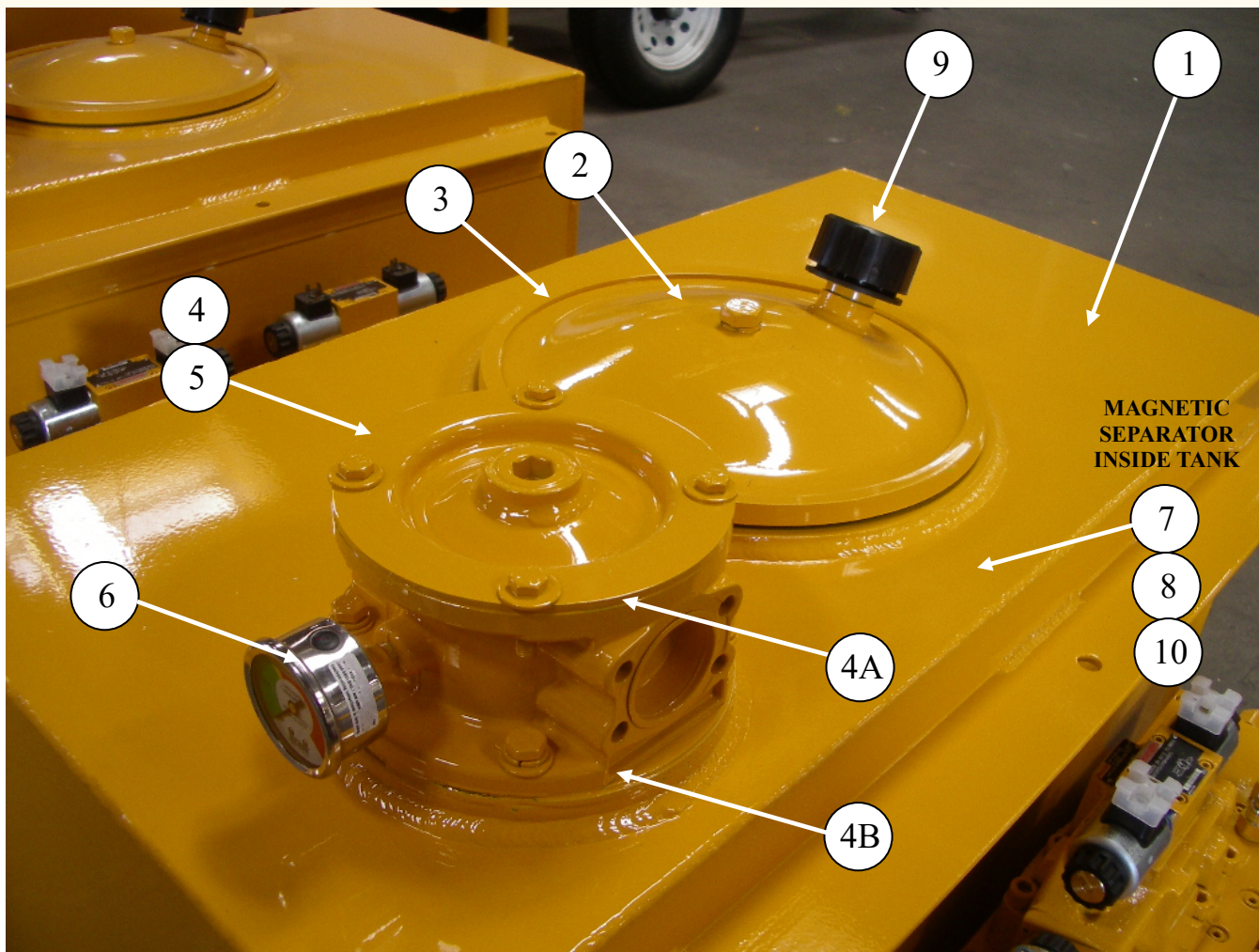
ID #	PART #	PART DESCRIPTION	QUANTITY	
	89484	FUEL TANK ASSY B-SERIES TIER-4	REF	
1	89479	FUEL TANK WELDMENT, B-SERIES TIER-4	1	EA
2	85570	FUEL CAP, 1 1/2 IN VENTED	1	EA
3	87545	FITTING BARBED-MPT, HOSE 3/8-1/2 MPT	1	EA
4	87770	FITTING BARBED 3/8 TUBE- 1/2" MPT 1	1	EA
5	77191	FUEL GAUGE, 9 IN	1	EA
6	10297	PLUG-GALV 1/2"	2	EA
7	74716	FUEL HOSE-3/8 SAE 30R7 BLK	A/R	

FUEL TANK ASSEMBLY



ID #	PART #	PART DESCRIPTION	QUANTITY	
1	10297	PLUG-GALV 1/2" (AS NEEDED)	REF	EA
2	87566	FITTING BARBED-JIC, 3/8-3/8MPT (STRAIGHT)	4	EA
3	87567	FITTING (90 DEG) METRIC TO JIC	4	EA

HYDRAULIC TANK ASSEMBLY



ID #	PART #	PART DESCRIPTION	QUANTITY	
	89199	HYD TANK ASSY B-SERIES TIER-4	REF	
1	89195	HYDRAULIC TANK WELDMENT, B-SERIES T4	1	EA
2	85529	ENDCOVER KIT, 12 IN W/DRAIN	1	EA
3	85867	GASKET- END COVER 12"	1	EA
4	85282	FILTER, RETURN, TANK MOUNTED	1	EA
4A	BW10241	SEAL KIT FOR 85282 FILTER RETURN	1	EA
4B	85282-G	GASKET-CORK	1	EA
5	85283	FILTER ELEMENT, PN 85282 FILTER	1	EA
6	85575	GAUGE, PN 85282 RETURN FILTER	1	EA
7	79247	MAGNETIC SEPERATOR 1 ¼ " NPT	1	EA
8	800230	MAGNETIC SEPARATOR,3"NPT	1	EA
9	85537	FILLER BREATHER, 3/4 NPT	1	EA
10	10265	NIPPLE-CLOSE 1 ¼ NPT SCH 40 GALV	1	EA

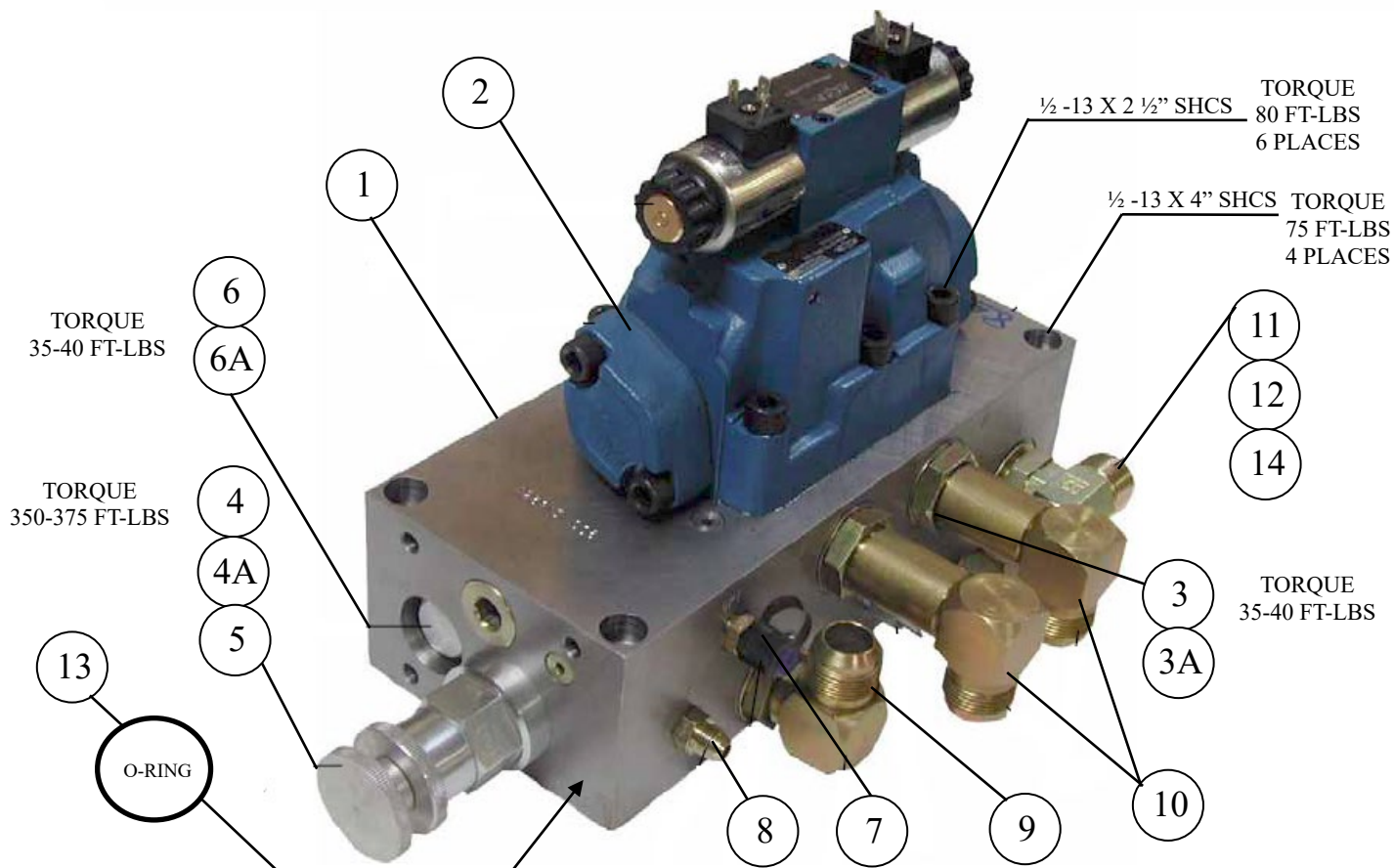
HYDRAULIC TANK ASSEMBLY CONTINUED



ID #	PART #	PART DESCRIPTION	QUANTITY	
1	74509	GAUGE-SIGHT/TEMPERATURE	1	EA
2	801025	DRAIN COCK, 1/4 NPT	1	EA
3	87154	SOLENOID VALVE ASSY (REMIX-DUMP)	1	EA
4	87155	COIL	1	A/R
5	87155-C	CARTRIDGE	1	A/R

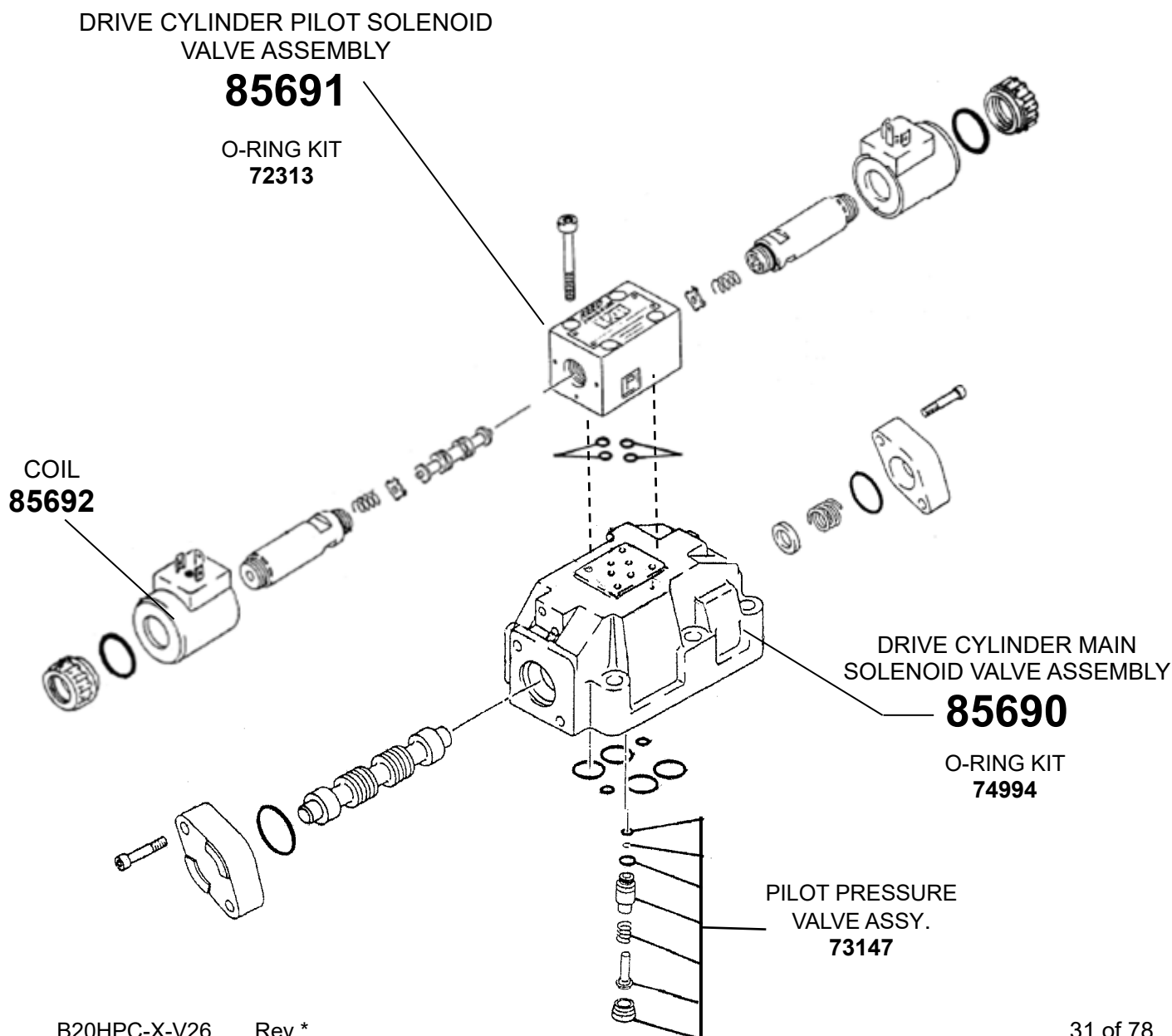
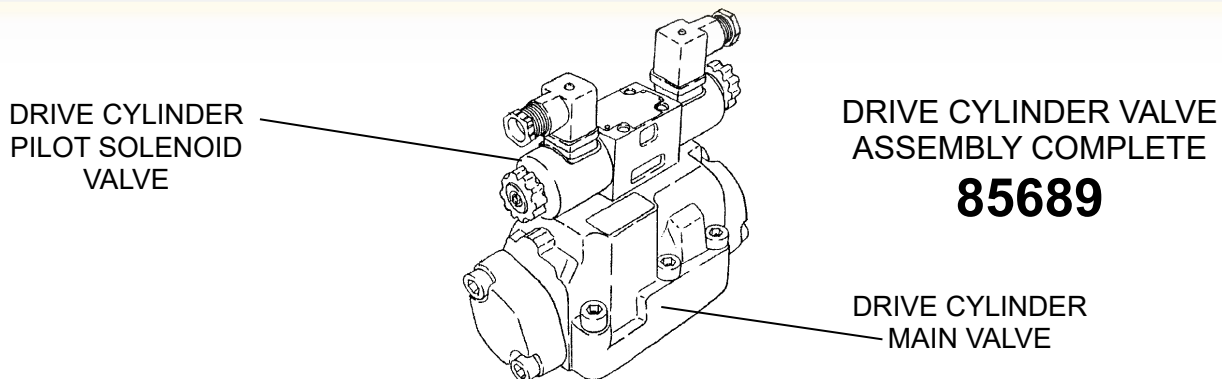
MANIFOLDS

DRIVE CYLINDER CIRCUIT MANIFOLD ASSEMBLY

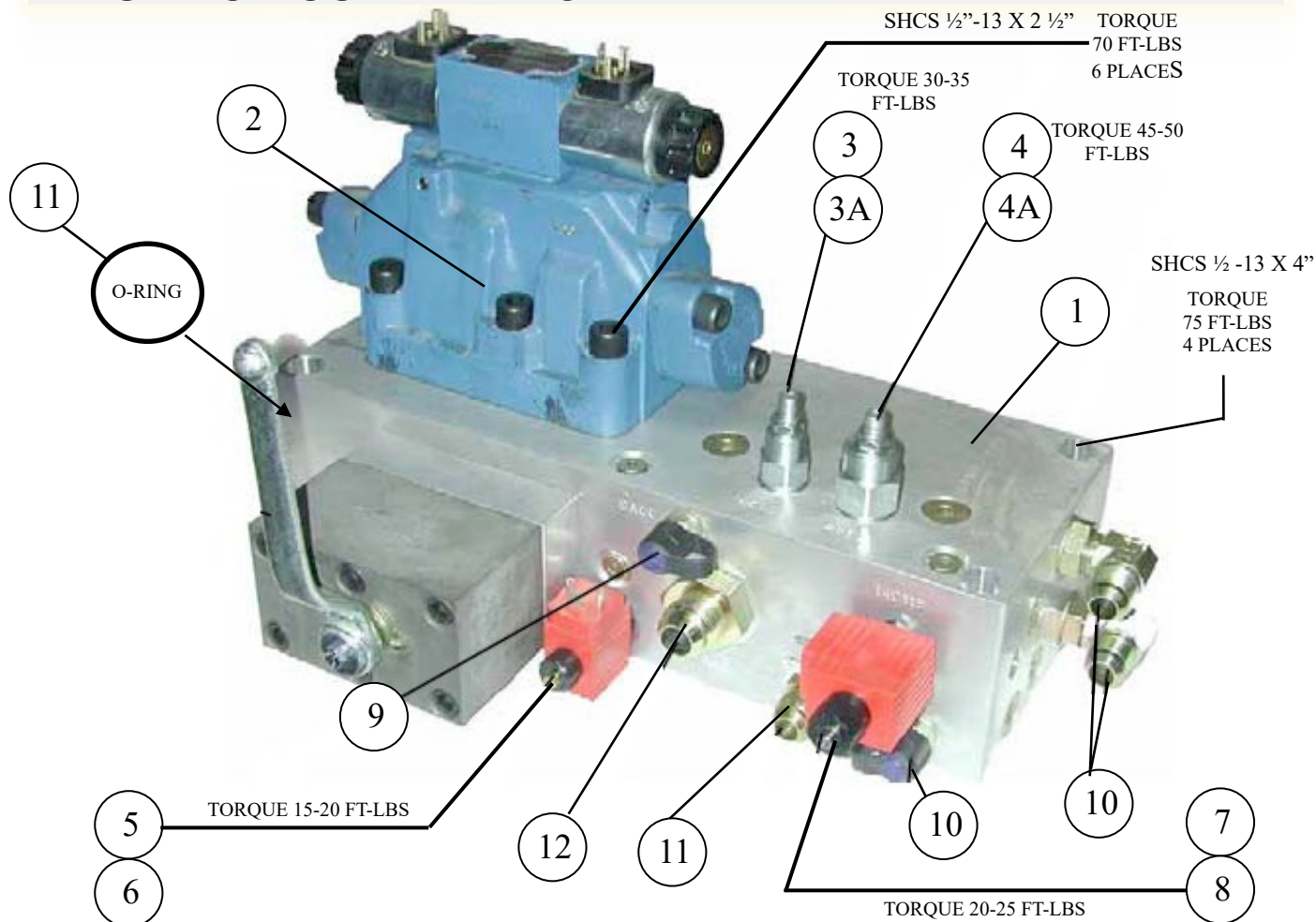


ID #	PART #	PART DESCRIPTION	QUANTITY	
	85248	MANIFOLD, CYLINDER CIRCUIT ASSEMBLY	1	EA
1	86820	MANIFOLD, MACHINED CYLINDER CIRCUIT	1	EA
2	85689	SOLENOID VALVE, DRIVE CYLINDER	1	EA
3	85696	RELIEF VALVE CARTRIDGE	1	EA
3A	85696-SK	SEAL KIT		
4	85697	FLOW CONTROL CARTRIDGE	1	EA
4A	85697-SK	SEAL KIT		
5	86947	KNOB KIT, ALUMINUM	1	EA
6	BW10327	CHECK VALVE CARTRIDGE	1	EA
6A	85698-SK	SEAL KIT		
7	78593	MINICHECK ADAPTOR, SAE 4	1	EA
8	86900-002	ADAPTOR, MB-MJ-4-6	1	EA
9	86728-023	ELBOW, MB-MJ90-16-16	1	EA
10	86904-012	ELBOW, MB-MJ90LL-16-16	2	EA
11	86945-001	TEE, MJ-MB-MJT-16	1	EA
12	86905-016	ELBOW, MJ-FJX90-16-16	1	EA
13	86946	O-RING #230 BUNA 90DUR	1	EA
14	86948-001	REDUCER, JIC MJ-FJ-10-16	1	EA

DRIVE CYLINDER CIRCUIT MANIFOLD ASSEMBLY CONT.

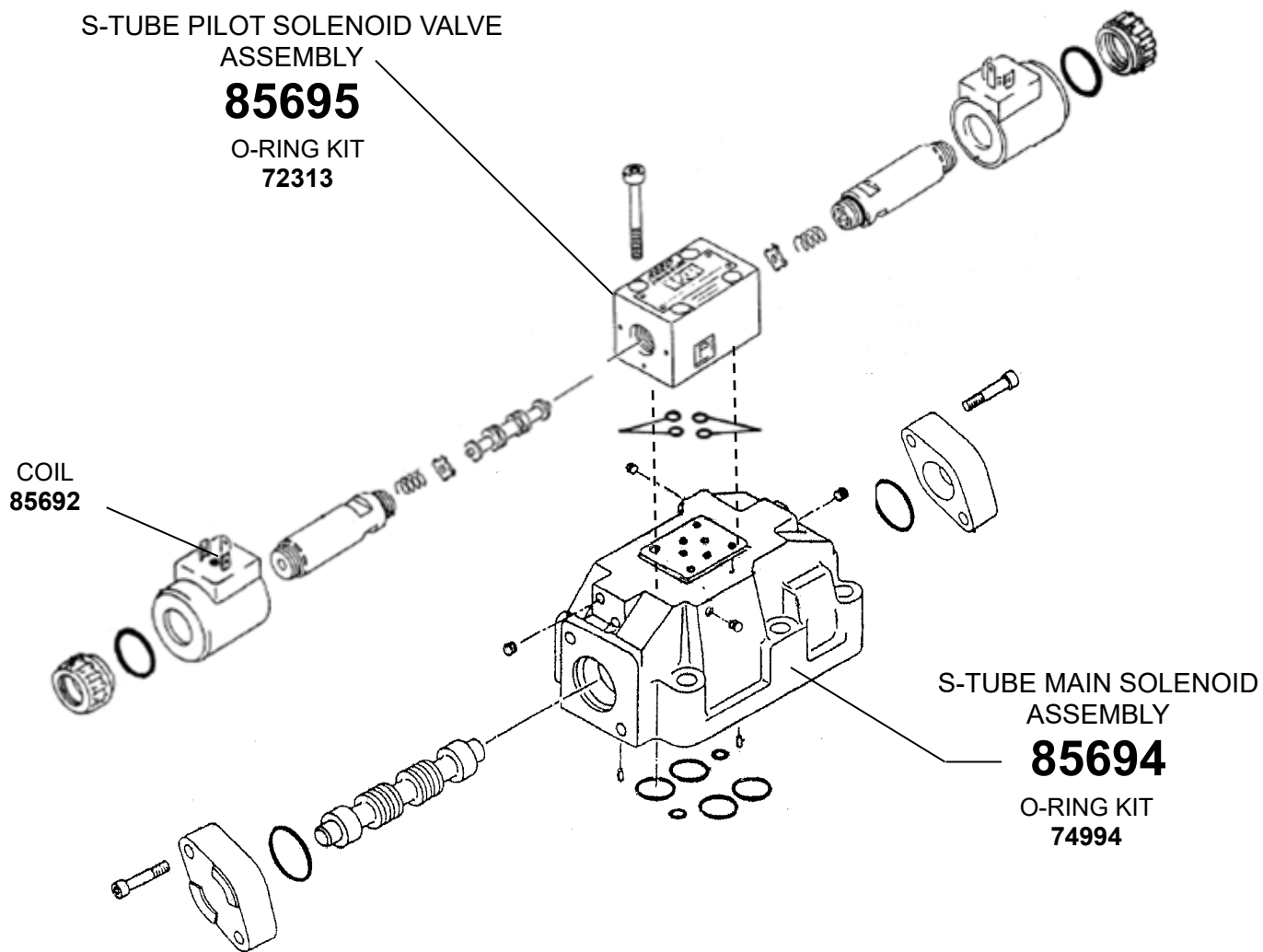
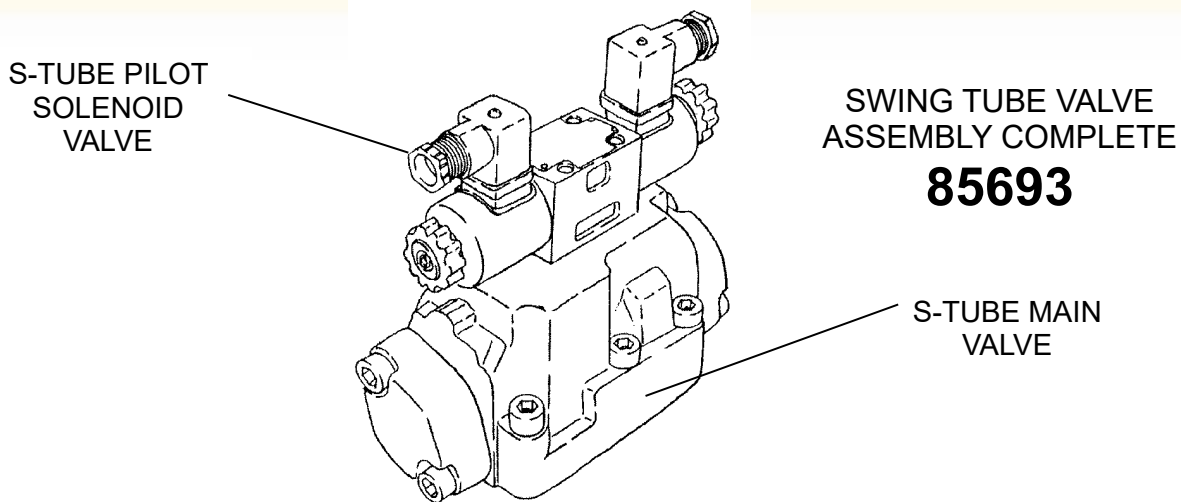


S-TUBE CIRCUIT MANIFOLD ASSEMBLY

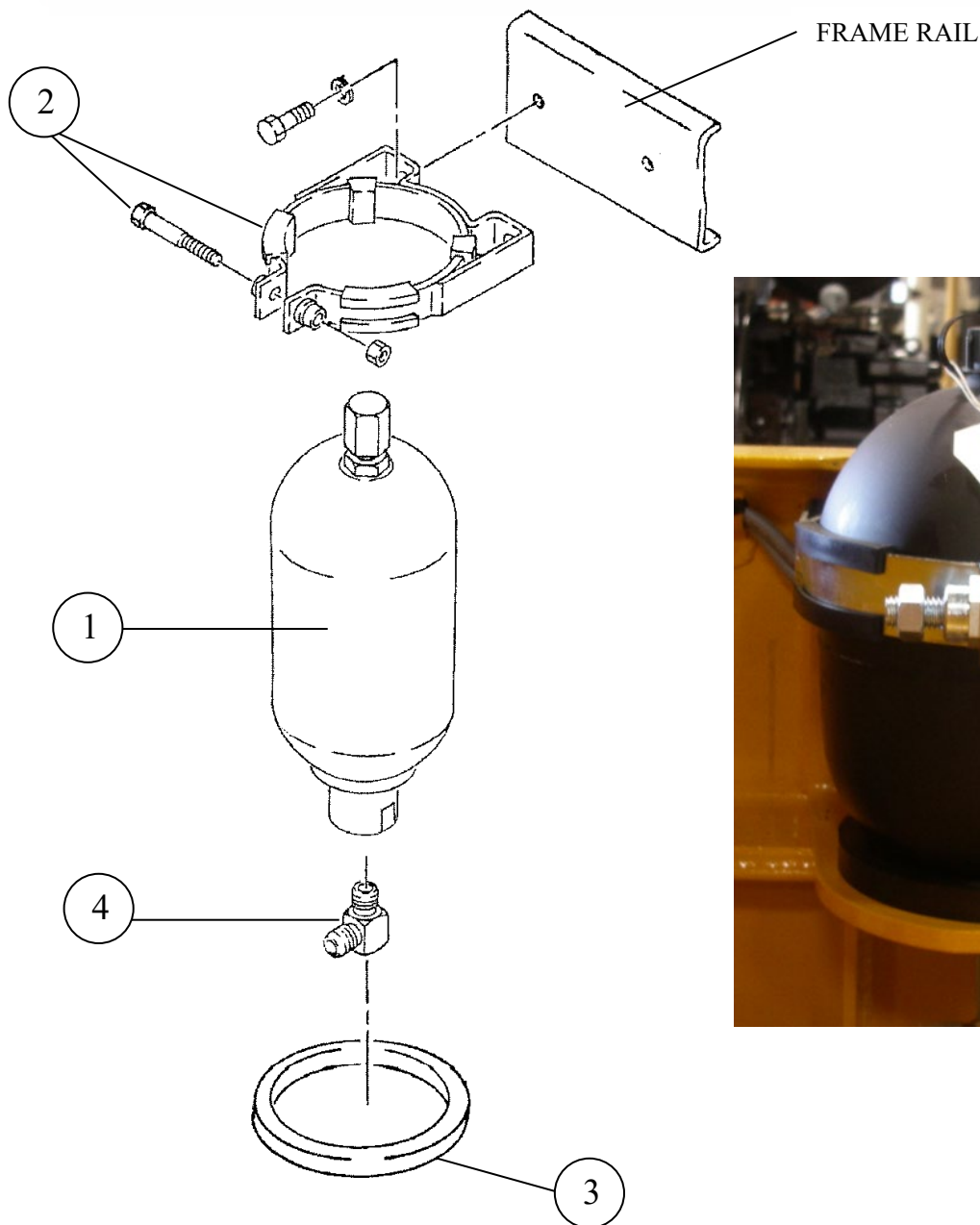


ID #	PART #	PART DESCRIPTION	QUANTITY	
	89631	MANIFOLD, S-TUBE CIRCUIT ASSEMBLY		
1	89602	MANIFOLD, MACHINED S-TUBE CIRCUIT	1	EA
2	85693	SOLENOID VALVE, S-TUBE SHIFT	1	EA
3	85704	UNLOADER VALVE CARTRIDGE, (QCDB)	1	EA
3A	85704-SK	SEAL KIT		
4	85703	RELIEF VALVE CARTRIDGE, (RVEA)	1	EA
4A	85703-SK	SEAL KIT		
5	87246	SOLENOID VALVE CARTRIDGE, (12CHS)	1	EA
6	87247	COIL, 12VDC,	1	EA
7	87248	SOLENOID VALVE CARTRIDGE, (14CHS)	1	EA
8	87249	COIL, 12V DC FOR PN-87248	1	EA
9	78593	MINICHECK ADAPTOR, SAE	2	EA
10	86900-027	ADAPTOR, MB-MJ-16-12	1	EA
	86946	O-RING #230 BUNA 90DUR	1	EA

S-TUBE CIRCUIT MANIFOLD ASSEMBLY CONT.

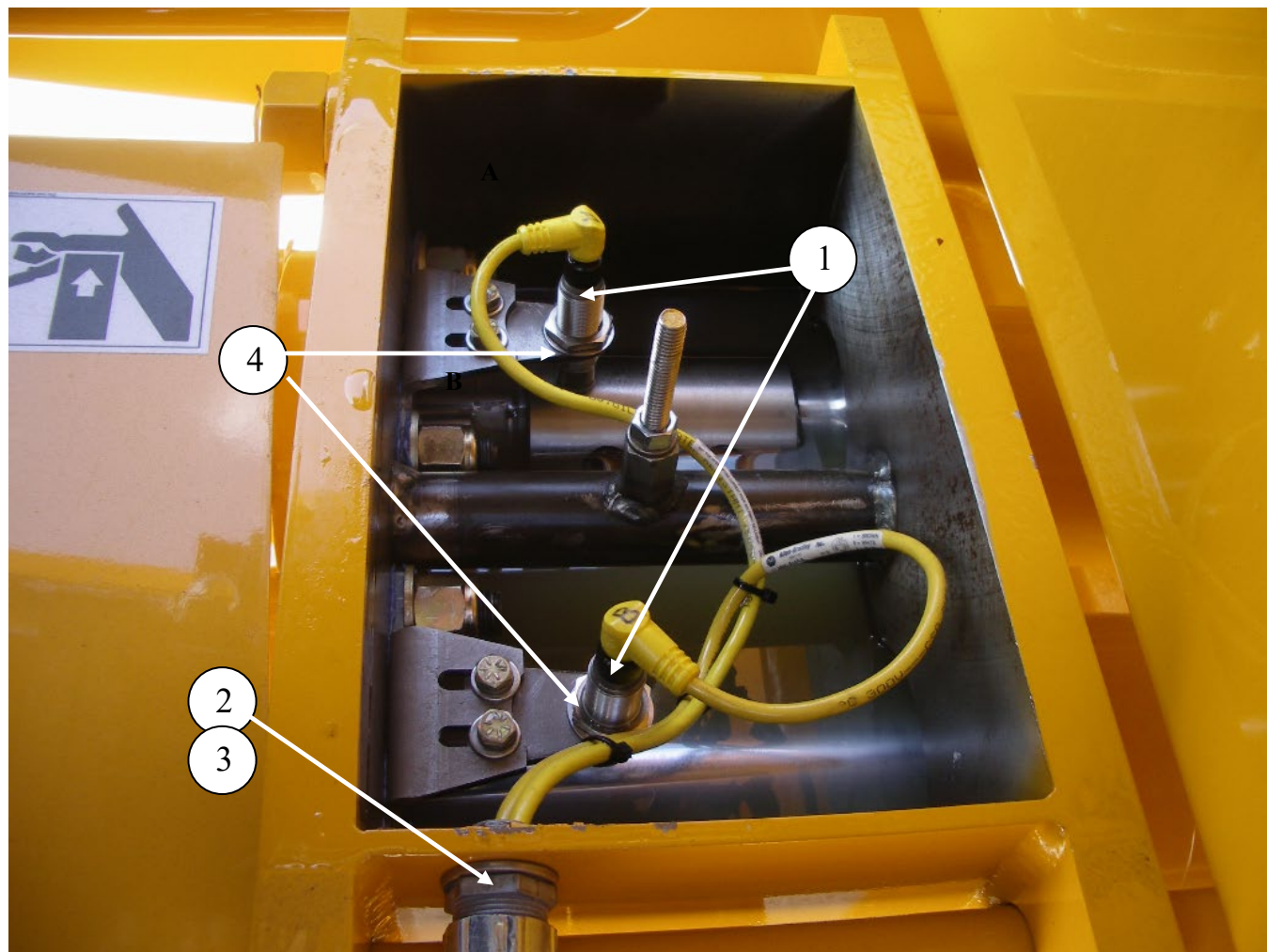


ACCUMULATOR ASSEMBLY



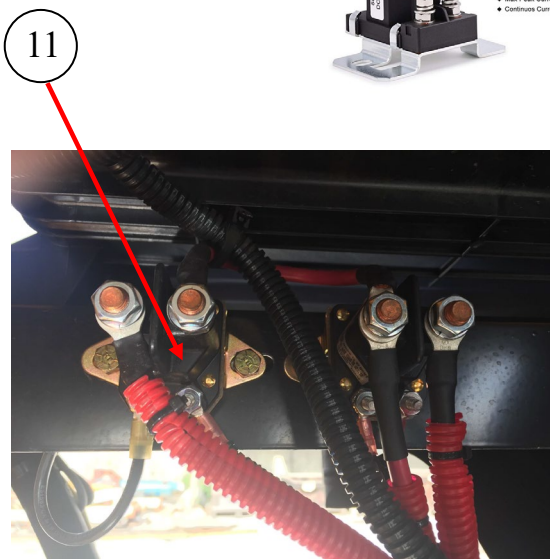
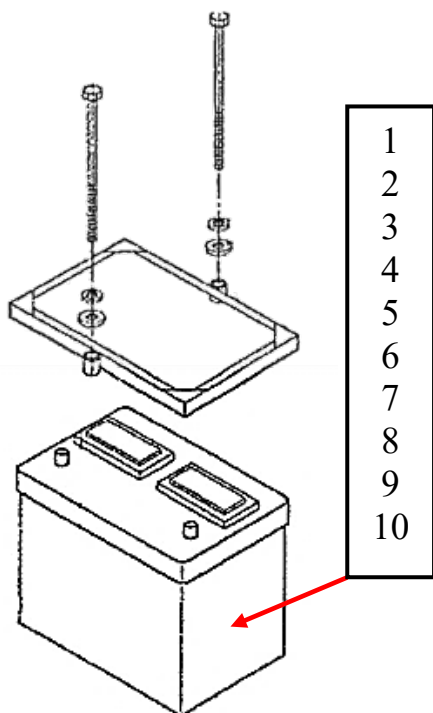
ID #	PART #	PART DESCRIPTION	QUANTITY	
1	71360	ACCUMULATOR	1	EA
2	73171	ACCUMULATOR BKT.W/CLOSING HARDWARE	1	EA
3	801028	GROMMET, ACCUMULATOR	1	EA
4	86728-019	ELBOW, MB-MJ90-12-12	1	EA

ELECTRICAL GROUP PROXIMITY SWITCHES



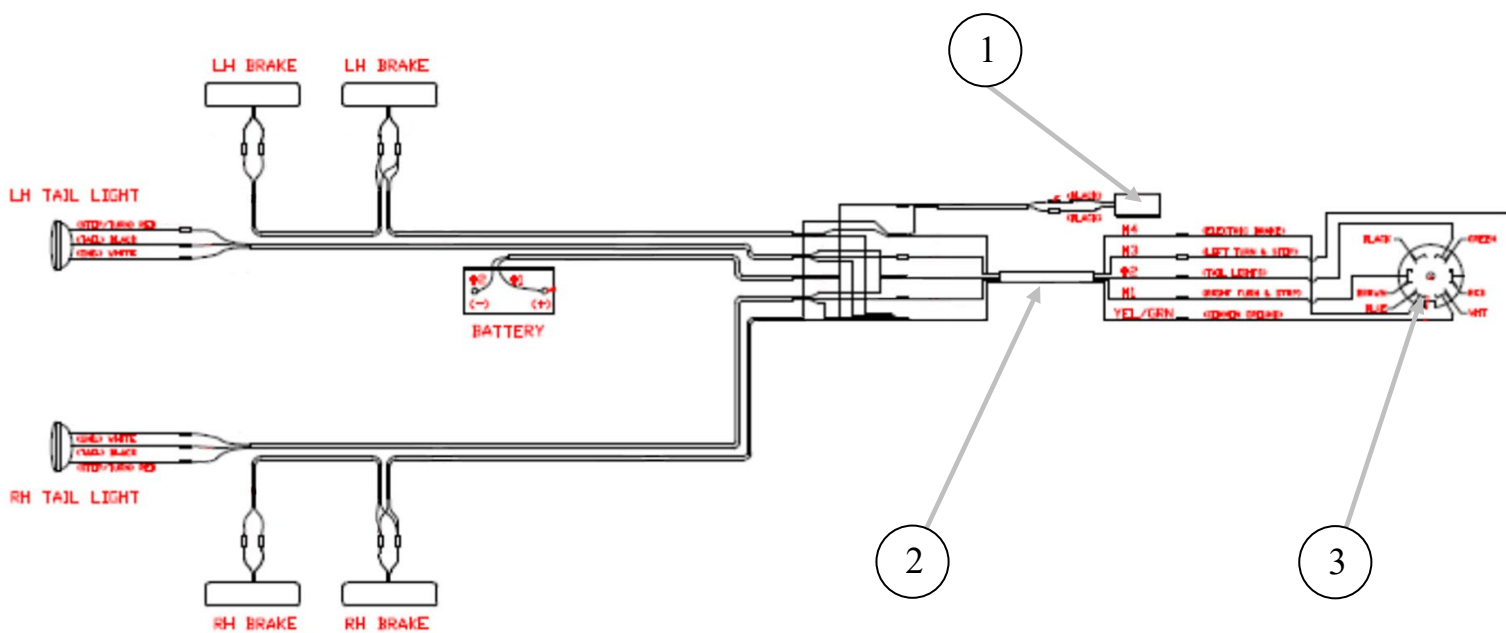
ID #	PART #	PART DESCRIPTION	QUANTITY	
	89342	ELECTRICAL GROUP B-SERIES, PLC TIER-3 CUMM	REF	
1	77998	PROXIMITY SENSOR NPN FLUSH BOX MOUT	2	EA
2	10522	STRAIN RELIEF	1	EA
3	30240	GASKET LIQUID TITE 1/2" -ELECT	1	EA
4	10528	NUT-1/2" BONDING TYPE LOCK	1	EA
5	77990	CABLE, PROXIMITY SWITCH, 5M	2	EA

BATTERY ASSEMBLY



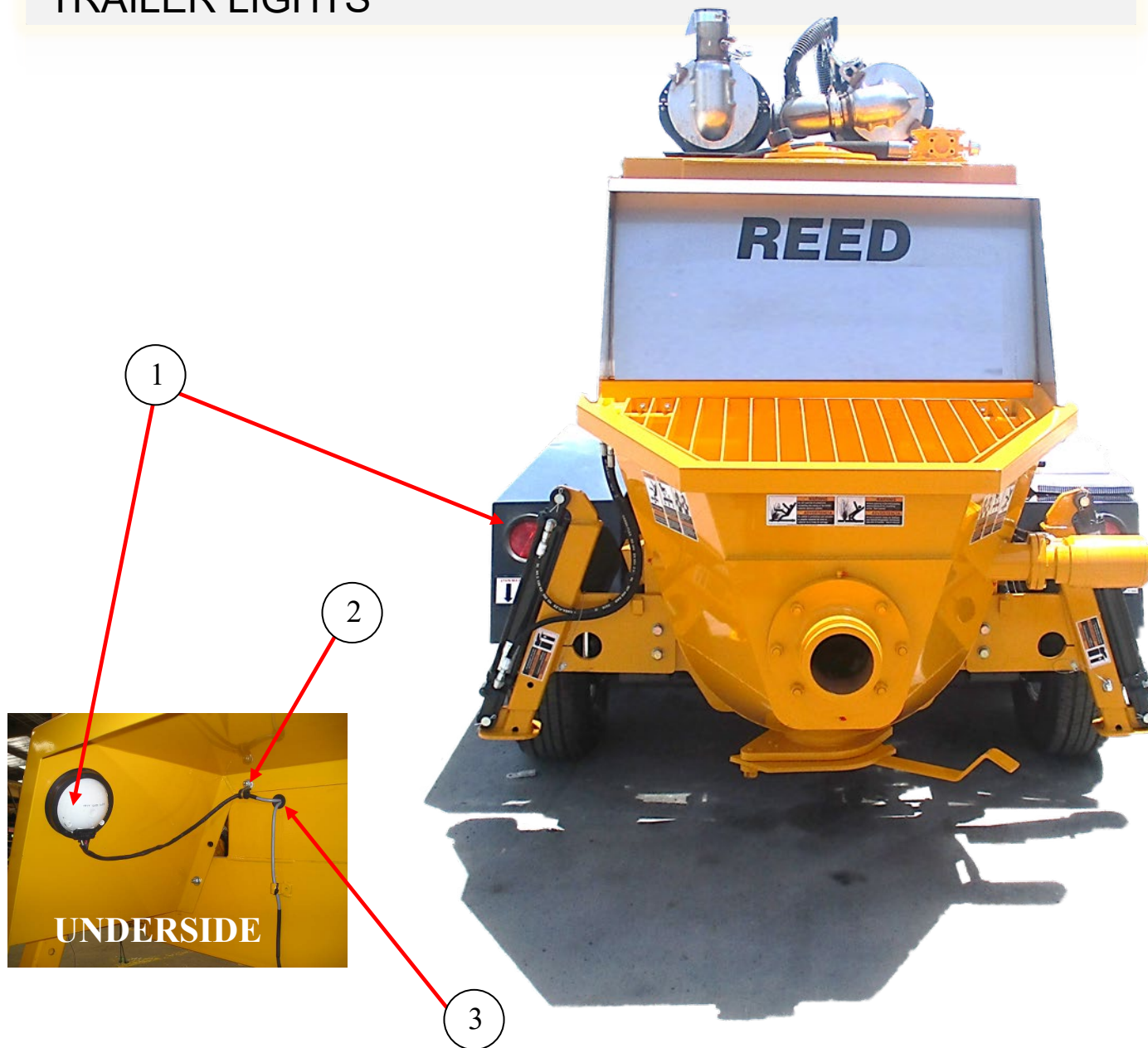
ID #	PART #	PART DESCRIPTION	QUANTITY	
	89342	ELECTRICAL GROUP B-SERIES, PLC TIER-3 CUMM	REF	
1	77075	BATTERY-12V 1000 CCA31	1	EA
2	89524-P	CABLE,46" BATTERY RED 4/0	1	EA
3	89524-N	CABLE, 44" BATTERY BLACK 4/0	1	EA
4	87221	RED LEFT ELBOW TERM PROTECTOR	2	EA
5	87222	INSULATOR, LEFT ELBOW-BLACK	2	EA
6	89511-N	BATTERY TERMINAL NEGATIVE	1	EA
7	89511-P	BATTERY TERMINAL POSITIVE	1	EA
8	89525-N	CABLE, 28" BATTERY BLK 4/0	1	EA
9	89525-P	CABLE, 28" BATTERY RED 4/0	1	EA
10	72945	BATTERY HOLD DOWN	2	EA
11	87541	RELAY STARTER 12VDC-SELL W/87544	2	EA

TRAILER HARNESS AND BREAKAWAY



ID #	PART #	PART DESCRIPTION	QUANTITY	
1	77705	BREAK-AWAY KIT	1	EA
2	86532	TRAILER HARNESS- C-SERIES	1	EA
3	86579	TRAILER PLUG 7C FLAT PI	1	EA
4	72949	GROMMET	REF	
5	72813	GROMMET	REF	

TRAILER LIGHTS



ID #	PART #	PART DESCRIPTION	QUANTITY	
1	72948	TAIL LIGHT R3000 SER.	2	EA
2	87665	LOOM CLAMP 7/8"	2	EA
3	72949	GROMMET	2	EA



B20HPC-X-V26

PARTS



(909)287-2100

WIRING HARNESS

ID #	PART #	PART DESCRIPTION	QUANTITY	
	89052	WIRING HARNESS B SER TIER-4 FINAL	REF	
1	10522	STRAIN RELEIF, 1/2" STRAIGHT	1	EA
2	10528	NUT-1/2" BONDING TYPE LOCK	1	EA
3	20169	CABLE, 18AWG-3C PVC-BLK	10	FT
4	30240	GASKET-LIQUID TITE 1/2" - ELECT	1	EA
5	77990	CABLE, PROXIMITY SWITCH, 5M	2	EA
6	85617	CABLE, 14AWG-4C, PVC-GRY	6.75	FT
7	85619	CABLE, 16AWG-4C, PVC-GRY	9	FT
8	87456	PLUG SOCKET CONNECTOR, 8 PIN	1	EA
9	87457	PIN, FOR 87456 PLUG	16	EA
10	87540	TURCK U7106-05 CABLES/CONNECTIVITY	3	EA
11	87807	PIN MALE, FOR 87806 PLUG	6	EA
12	88243	CABLE WITH 2 DIN PLUG, 5M	2	EA
13	88479	NUT FOR 88478 RECEPTACLE	1	EA
14	88480	WASHER FOR 88478 RECEPTACLE	1	EA
15	88678	CABLE SHIELDED PROXIMITY SWITCH, 5M	1	EA
16	88933-1	CAN TERM RESISTOR 120 OHMS, DT RECEPT	1	EA
17	88935	3 WAY PLUG DT SER.	4	EA
18	88935-B	BOOT FOR 3 WAY DT SERIES PLUG	3	EA
19	88936	WEDGE LOCK, DT 3 PIN PLUG, GREEN	1	EA
20	88937	WEDGE LOCK, DT 3 PIN PLUG,BLUE	2	EA
21	88958	CONTACT PIN SOLID SIZE 16	24	EA
22	88960	TERMINAL, FEMALE,METRIPAK 280	2	EA
23	89102	DEUTSH DT06 PLUG, 2X2	1	EA
24	89104	DEUTSH DT06 PLUG, 2X6	2	EA
25	89105	DEUTSH WEDGE FOR 89104	2	EA
26	89109	DEUTCH RECEPTICAL 128 CONTACTS, SOCKET	1	EA
27	89109-B	BOOT FOR 89109,89157	1	EA
28	89110-6	METRIPACK WIRE SEAL, GREEN	5	EA
29	89116	DEUTSCH WEDGE FOR 89109	1	EA
30	89132	DEUTSCH WEDGE FOR 89102	1	EA
31	89157	DEUTSCH RECEPTICAL 128 CONTACTS, PIN	1	EA
32	89217	DEUTSCH HD34 REC, 8 PIN	1	EA
33	89218	DEUTSCH DT04 RECP,12 PIN	2	EA
34	89218-1	DEUTSCH WEDGE FOR 89218	2	EA
35	89277	DEUTSCH DT06 PLUG, 2 CAVITY	4	EA
36	89277-1	WEDGE FOR 89277	1	EA
37	89277-A	WEDGE FOR 89277, A KEY	3	EA
38	89313	PLUG, CTS SERIES,96 CAVITY	1	EA
39	89313-1	COVER, FOR 89313	1	EA
40	89313-2	RUBBER BOOT, FOR 89313	1	EA
41	89313-3	TERMINAL LOCK, FOR 89313	1	EA
42	89313-4	STRAIN RELIEF, FOR 89313	1	EA



B20HPC-X-V26

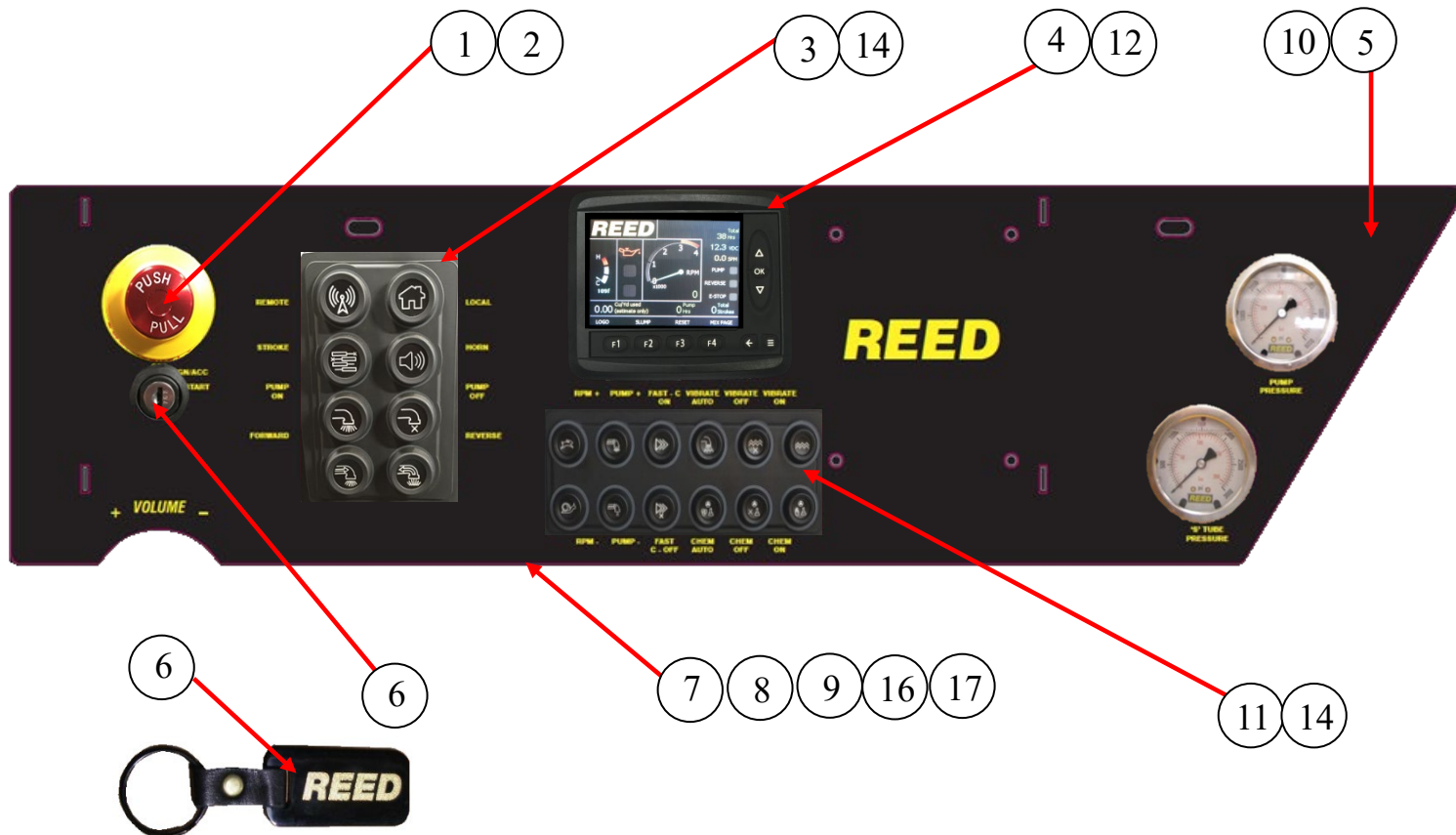
PARTS



(909)287-2100

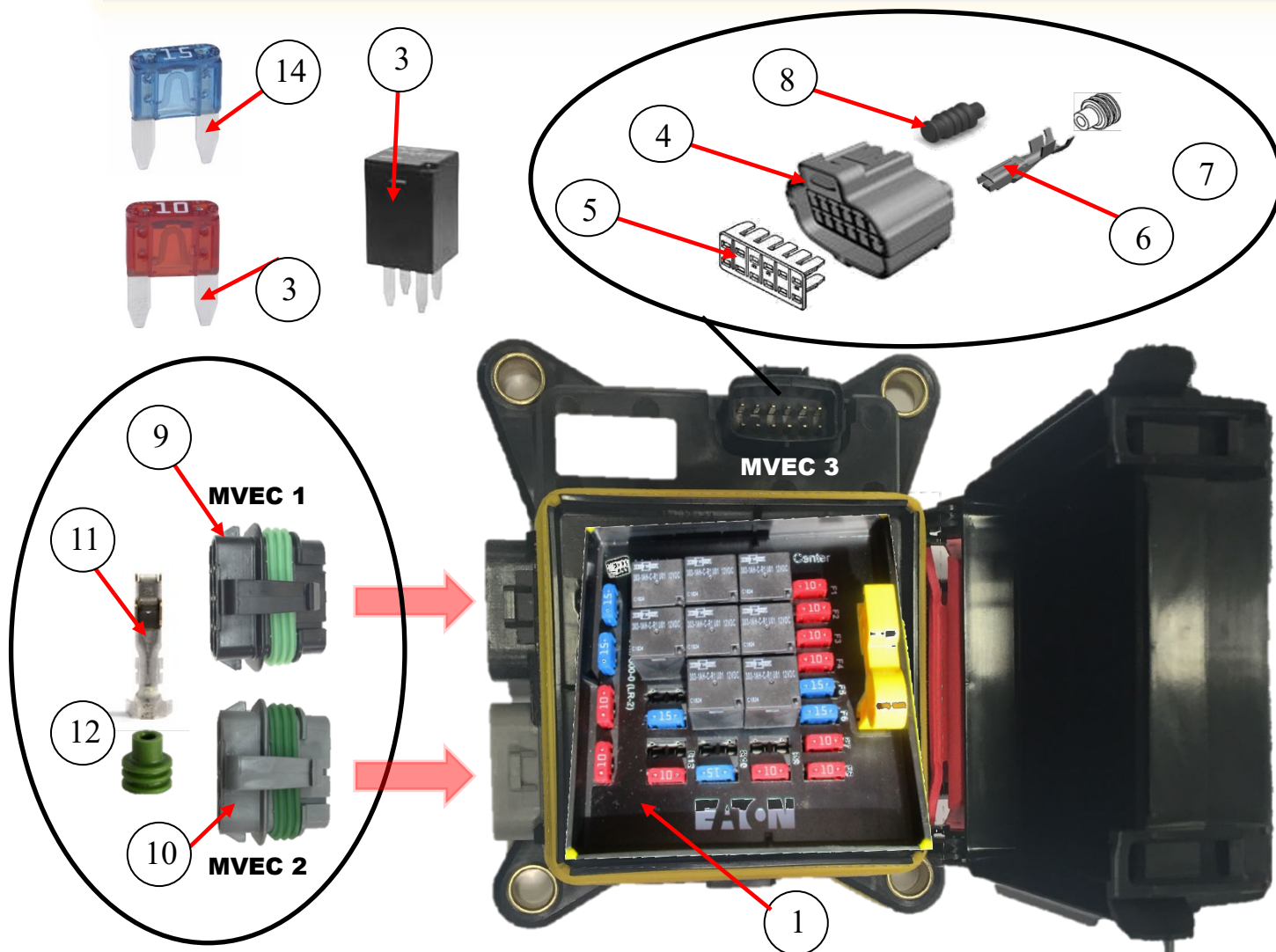
ID #	PART #	PART DESCRIPTION	QUANTITY	
43	89313-5	TERMINAL, FEMALE, 16 AWG FOR 89313	45	EA
44	89314	PLUG, APEX 150 SERIES, 24 CAVITY	1	EA
45	89314-1	TERMINAL, 1.5MM, 16-18 AWG FOR 89314	1	EA
46	89315	PLUG, HDSCS SERIES, 4 CAVITY BLK	2	EA
47	98316	PLUG, HDSCS SERIES, 4 CAVITY GRY	2	EA
48	89315-1	TERMINAL, 2.8MM, 14-16 AWG FOR 89315&89316	4	EA
49	89315-2	WIRE SEAL, FOR 89315&89316	4	EA
50	89318-2	WIRE SEAL FOR 89318	16	EA
51	89318	PLUG, METRIPAK 150 SERIES, 3 CAVITY	1	EA
52	89318-1	TERMINAL, METRIPAK 150, FEMALE, FOR 89318	3	EA
53	89318-2	WIRE SEAL, FOR 89315&89316	3	EA
54	89319	RECIPTICALE, METRIPAK 150 SERIES, 6 CAVITY	1	EA
55	89319-1	TERMINAL, METRIPAK 150, MALE, FOR 89319	5	EA
56	89315-2	WIRE SEAL, FOR 89315&89316	5	EA
57	89319-3	WEDGE LOCK, METRIPAK 150, 6 CAV, FOR 89319	1	EA
58	89319-4	CAVITY PLUG, MERTRIPAK 150, FOR 89319	1	EA
59	89320	PLUG, HDSCS SERIES, 12 CAVITY BLK	1	EA
60	89320-1	TERMINAL, 1.5MM, FOR 89320	10	EA
61	89320-2	WIRE SEAL, FOR 89320	10	EA
62	89321	PLUG,AMP SERIES, 4 CAVITY	1	EA
63	89321-1	TERMINAL, FEMAL,17-20 AWG FOR 89321	2	EA
64	89321-2	WIRE SEAL, FOR 89321	2	EA
65	89321-3	COVER, FOR 89321	1	EA
66	89322	PLUG, BOSCH, 2 CAVITY	1	EA
67	89322-1	TERMINAL, FEMALE, 18-20 AWG FOR 89322	2	EA
68	89315-2	WIRE SEAL, FOR89315&89316	2	EA
69	89323	PLUG, MERTIPAK 150.2 SERIES, 2 CAV	1	EA
70	89323-1	TERMINAL, 150 SERIES, 16-18 AWG FOR 89323	2	EA
71	89336	HEAT SLEEVE CABLE, 1/2"	3	EA
72	BW10147	CONTACT SOCKET SIZE-16, 13 AMP	35	EA
73	BW10254-025	.25" DIA WIRING LOOM PLASTIC CORRAGATED	2	FT
74	BW10254-062	.625" DIA WIRING LOOM PLASTIC CORRAGATED	12	FT
75	BW10254-075	.75" DIA WIRING LOOM PLASTIC CORRAGATED	4	FT
76	BW10254-125	1.25" DIA WIRING LOOM PLASTIC CORRAGATED	7.5	FT
77	88733-1	FUSE HOLDER INLINE, BLADE STY, 30A MAX	1	EA
78	90394	FUSE, ATO 30	1	EA

PLC CONTROLS B-SERIES CONTROL PANEL



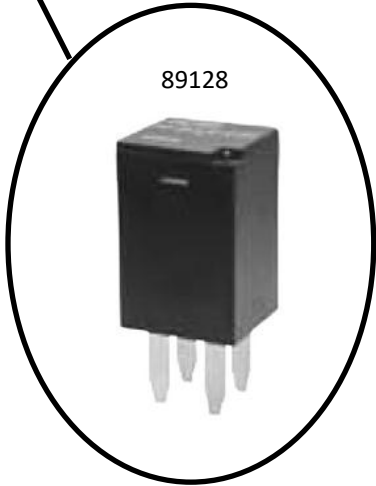
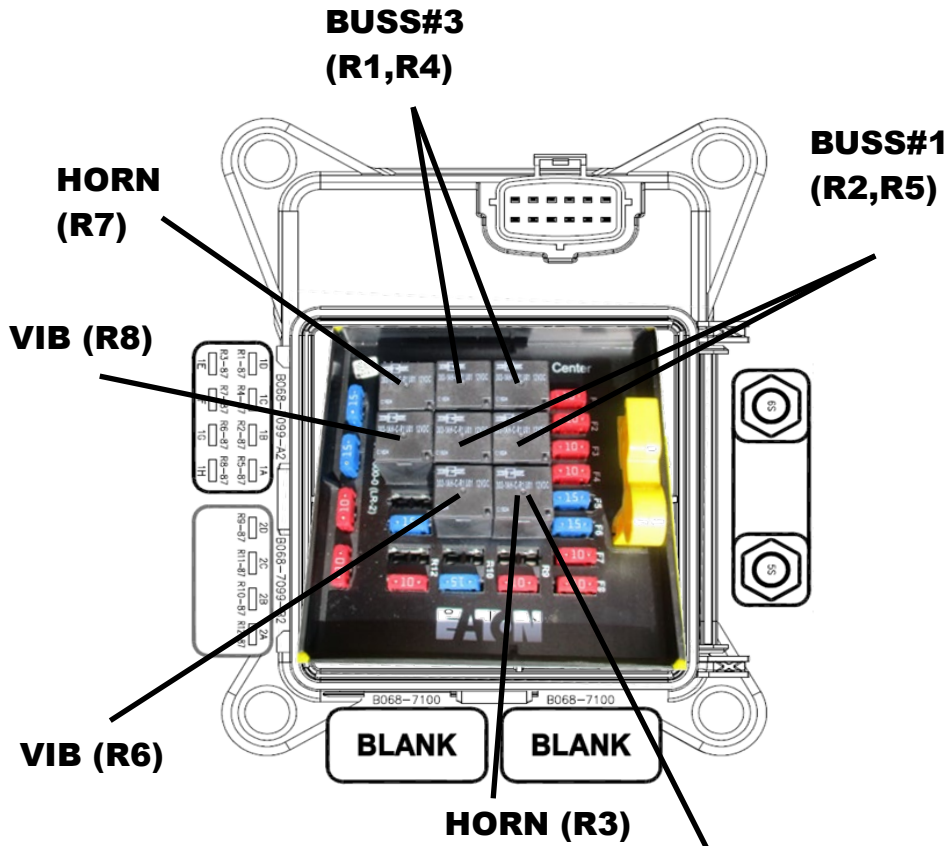
ID #	PART #	PART DESCRIPTION	QUANTITY	
	89477-T4	ELECTRICAL GROUP B SER PLC TIER-4 CUMMINS	REF	
	89333-T4	B-SERIES CONTROL PANEL ASSY PLC TIER-4	1	EA
1	89090	EMERGENCY STOP PUSH BUTTON HEAVY DUTY	1	EA
2	89090-L	ILLUMINATED E-STOP RING	1	EA
3	88979	KEYPAD 2X4 SWITCH, PROGRAMABLE	1	EA
4	88918	MD3, PARKER DISPLAY MODULE	1	EA
5	89099-D	DECAL CONTROL PANEL B-SER PLC	1	EA
6	89004	KEY SWITCH SEALED	1	EA
7	89099-P	PANEL FORMED FRONT, PLC B&C SERIES	1	EA
8	89092-PB	PANEL FORMED BACK, PLC B&C SERIES	1	EA
9	89124	HINGE PIANO 2"X12" LONG	2	EA
10	89092-C	PLC PROTECTIVE FRONT COVER	1	EA
11	88978	KEYPAD 2X6 SWITCH, PROGRAMMABLE	1	EA
12	89327	DISPLAY PROTECTIVE FILM	1	EA
13	72862	GAUGE FOR PROX. SENSOR SETTING	1	EA
14	89022	INSERT KIT FOR PLC SWITCH, USE 89412-BC	REF	
15	89092-A	128 PIN ADAPTER	1	EA
16	89113	PLC PANEL WIRE HARNESS, TIER-4	1	EA
17	89406	RIVET BLIND DOME 3/16" AL/STEEL .02-.125	24	EA

MVEC/FUSE/RELAY

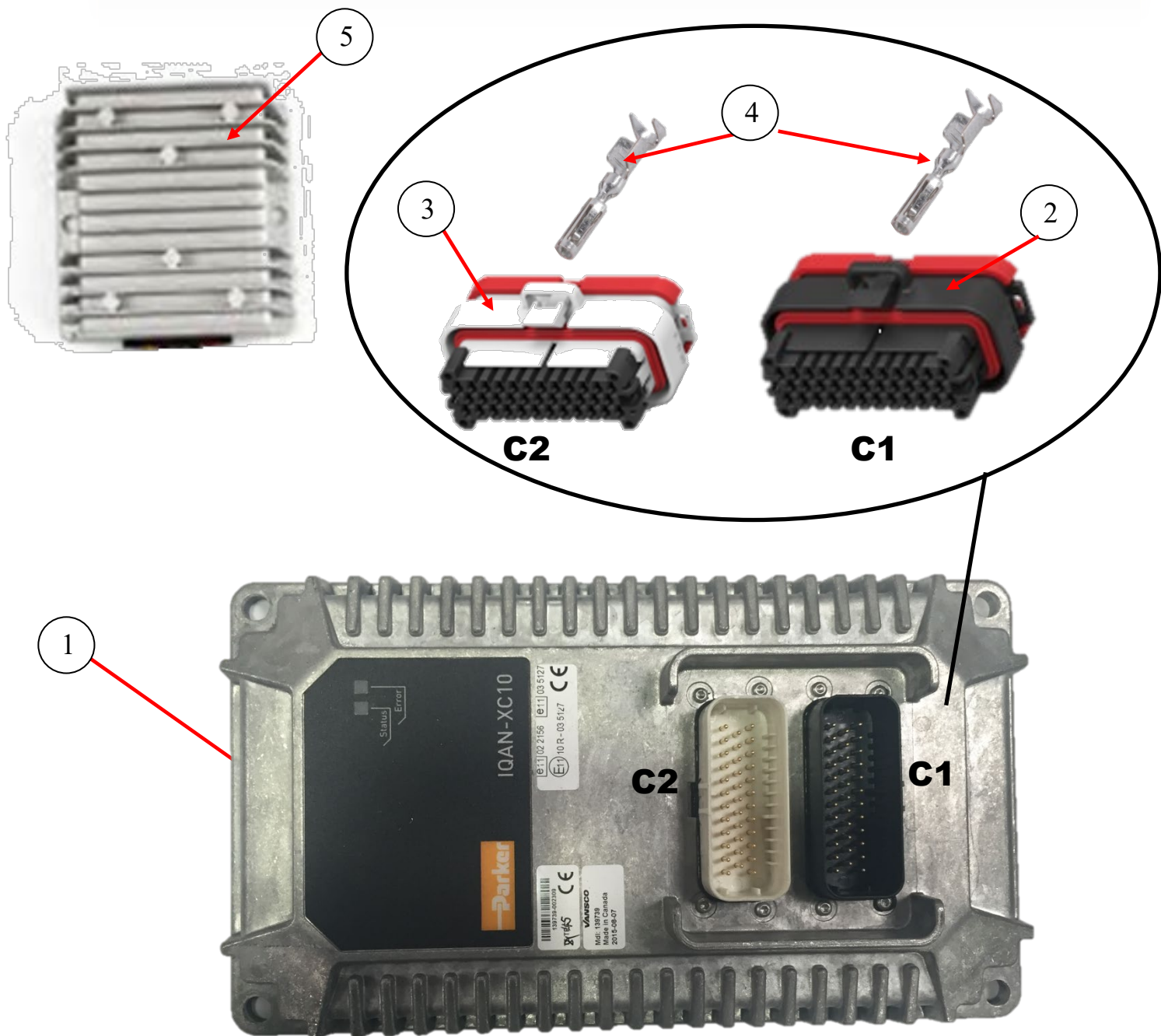


ID #	PART #	PART DESCRIPTION	QUANTITY	
1	88980	MVEC, 12 RELAY, BUSSMAN	1	EA
2	88953	AUTOMOTIVE MINITURE BLADE FUSE 10AMP	10	EA
3	89128	MVEC,RELAY,12V	8	EA
4	89112	AMP, PLUG 2X6, (MVEC 3)	1	EA
5	89112-1	AMP, WEDGE, 89112 (MVEC 3)	1	EA
6	89112-2	AMP, FEMALE, PIN, TERMINAL (MVEC 3)	5	EA
7	89112-3	AMP, WIRE SEAL, ORANGE (MVEC 3)	5	EA
8	89112-4	AMP, CAVITY PLUG (MVEC 3)	7	EA
9	89110	METRIPACK PLUG,2X4 (MVEC 1-BLK)	1	EA
10	89111	METRIPACK PLUG, 2X4 (MVEC 2-GRY)	1	EA
11	88960	TERMINAL PINS FEMALE AUTOMOTIVE	12	EA
12	89110-6	AMP, WIRE SEAL, (MVEC1-2, GREEN)	12	EA
13	89110-1	AMP, CAVITY PLUG, GREEN(MVEC 1)	4	EA
14	88954	FUSE, 15 AMP AUTOMOTIVE MINIATURE BLADE	6	EA

MVEC/FUSE/RELAY



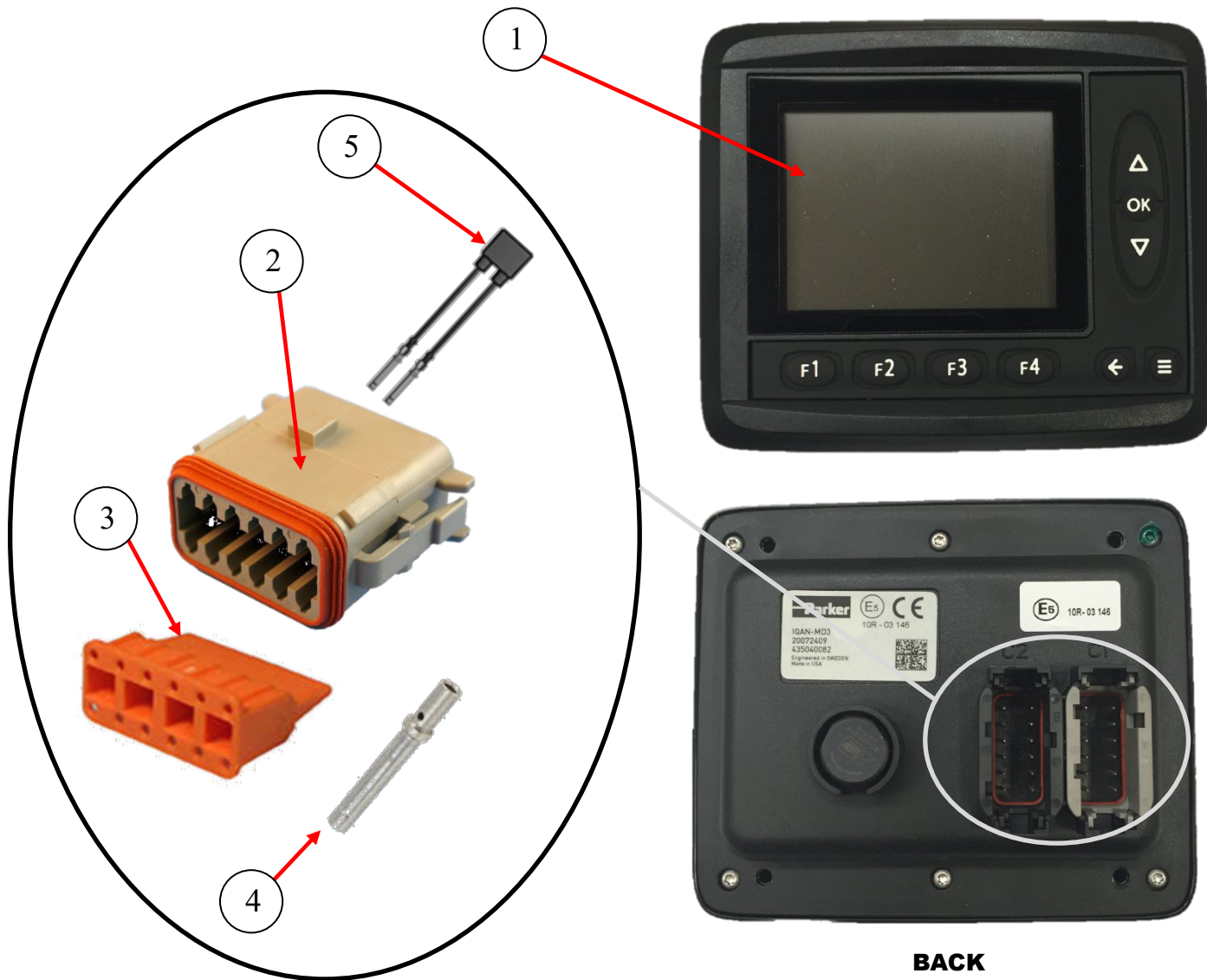
EXPANSION MODULE PARKER IQAN-XC10



ID #	PART #	PART DESCRIPTION	QUANTITY	
1	88919	XC10, PARKER EXPANTION MODULE	1	EA
2	88945	AMP, 35 POS SEAL PLUG, BLACK (C1)	1	EA
3	88946	AMP, 35 POS SEAL PLUG, WHITE (C2)	1	EA
4	88945-S	AMP, CONTACT PIN (C1,C2)	38	EA
5	89090-C	DC/DC CONVERTER 12VDC TO 24VDC	1	EA

MD3 DISPLAY MODULE

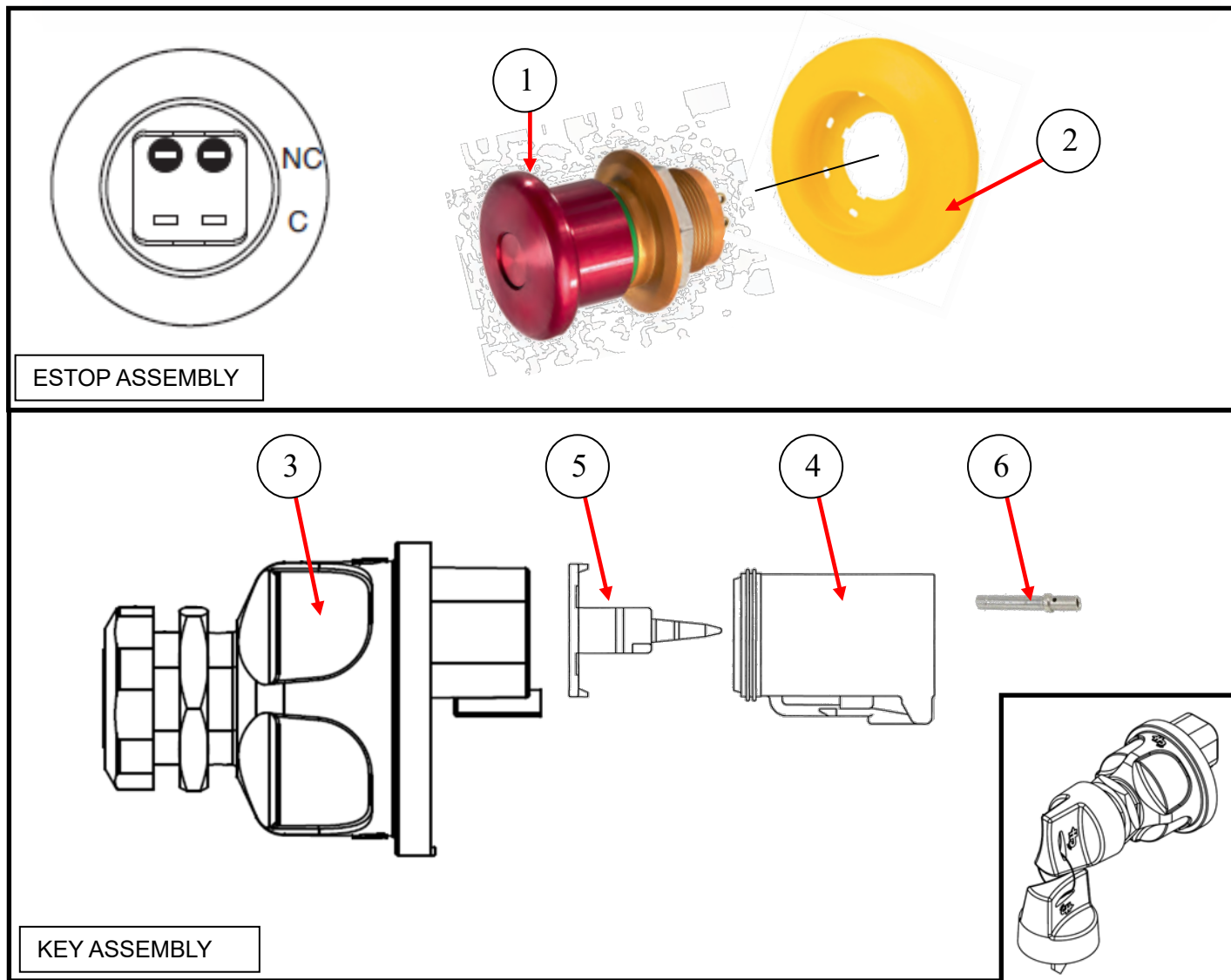
FRONT



BACK

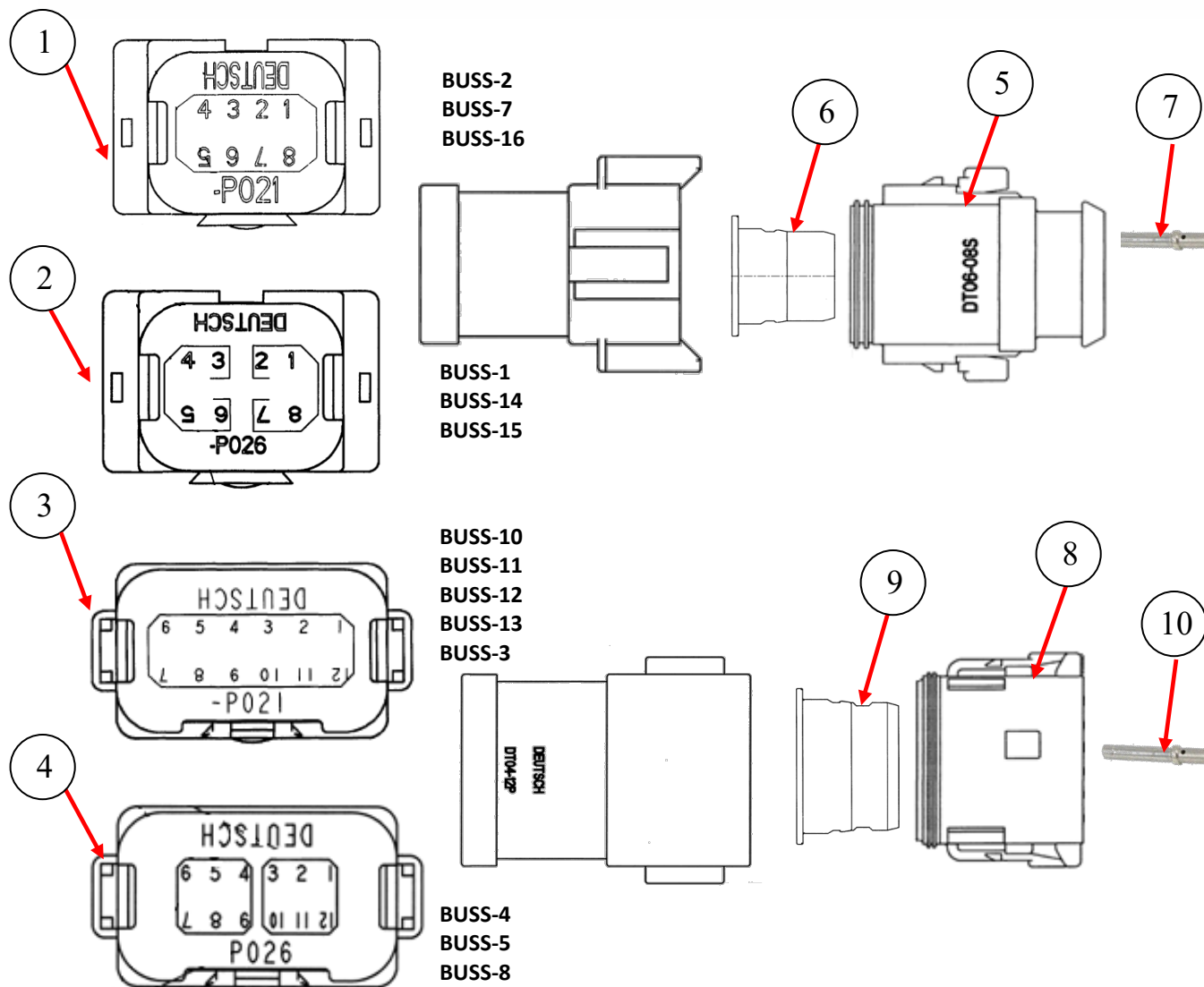
ID #	PART #	PART DESCRIPTION	QUANTITY	
1	88918	MD3, PARKER DISPLAY	1	EA
2	88653	PLUG DTM 12 WAY A KEY, GREY (C1)	1	EA
3	88653-2	WEDGELOCK DTM 12 WAY PLUG (C1)	1	EA
4	88959	CONTACT SOCKET SIZE 20 (7.5 AMP) (C1)	9	EA
5	89136	ADDRESS 3 IDTAG WITH DEUTSCH TERMINALS (1K OHM)	1	EA
6	89327	SCREEN PROTECTOR, MD3	1	EA

ESTOP, KEY ASSEMBLY, PLUGS



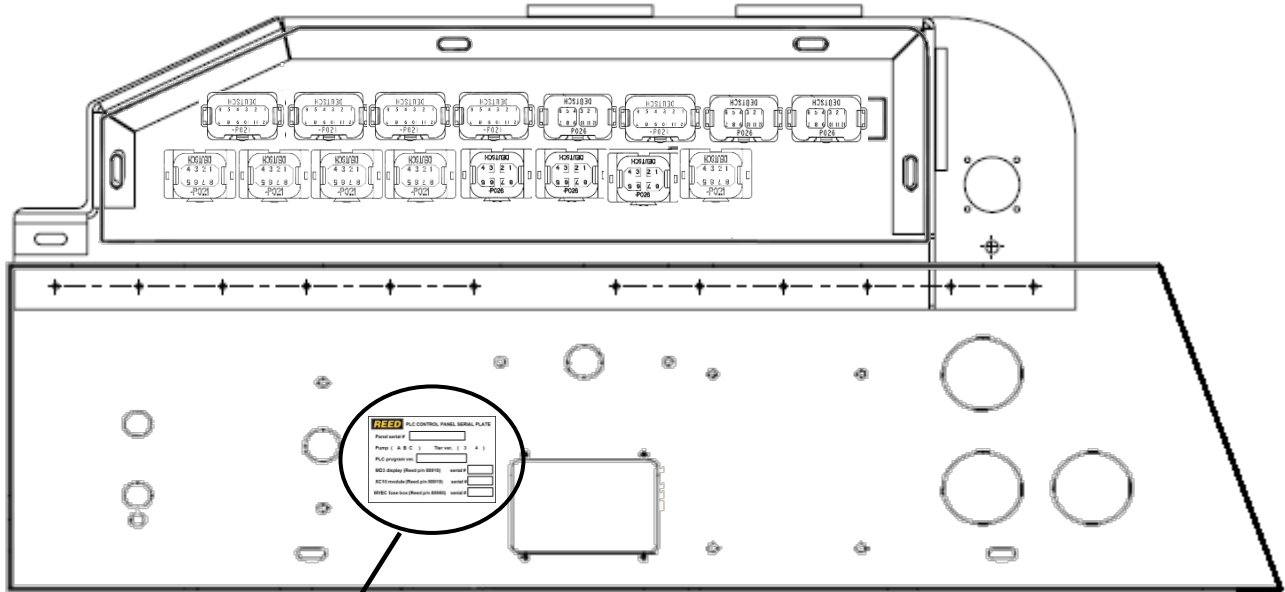
ID #	PART #	PART DESCRIPTION	QUANTITY	
1	89090	EMERGENCY STOP BUTTON HEAVY DUTY	1	REF
2	89090-L	ILLUMINATED E-STOP RING	1	REF
3	89004	KEY SWITCH SEALED	1	REF
4	89107	DEUSCH DT06, 1X6	1	QTY
5	89108	DEUTSCH WEDGE LOCK FOR 89107	1	QTY
6	BW10147	DEUTSCH CONTACT SOCKET, 16AWG	6	QTY

BUSSES, CONNECTORS, PINS



ID #	PART #	PART DESCRIPTION	QUANTITY	
1	89180	DEUTSCH DT04 BUS, 1X8 (SOLID)	3	EA
2	89181	DEUTSCH DT04 BUS, 2X4 (SPLIT)	3	EA
3	89106	DEUTSCH DT04 BUS, 1X12 (SOLID)	5	EA
4	89103	DEUTSCH DT04 BUS, 2X6 (SPLIT)	3	EA
5	89179	DEUTSCH DT06 PLUG, 2X4	5	EA
6	88542-1	WEDGE LOCK FOR 88542	5	EA
7	BW10147	CONTACT SOCKET PIN, SIZE16, 13 AMP		EA
8	89104	DEUTSCH DT06 PLUG, 2X6	3	EA
9	89105	WEDGE LOCK FOR 89104	8	EA
10	BW10147	CONTACT SOCKET PIN, SIZE16, 13 AMP		EA

SERIAL PLATE IDENTIFICATION



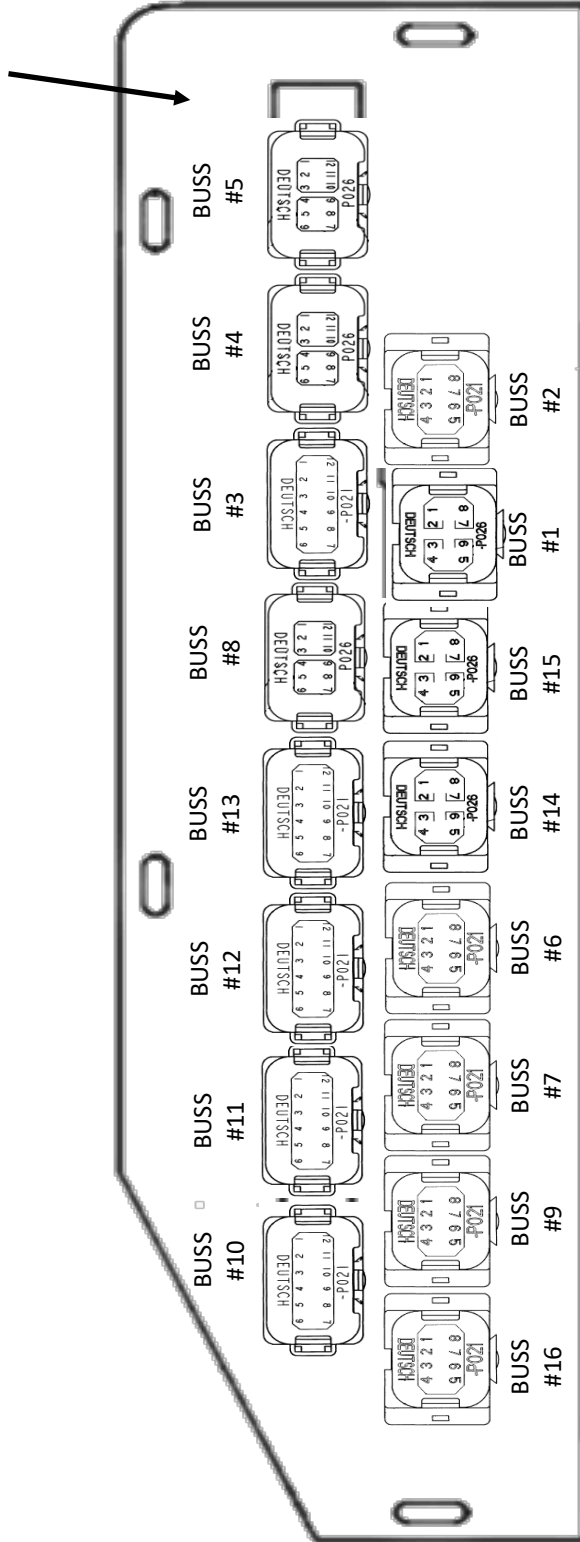
Serial Plate Identification

REED PLC CONTROL PANEL SERIAL PLATE	
Panel serial #	<input type="text"/>
Pump (A B C)	Tier ver. (3 4)
PLC program ver.	<input type="text"/>
MD3 display (Reed p/n 88918)	serial # <input type="text"/>
XC10 module (Reed p/n 88919)	serial # <input type="text"/>
MVEC fuse box (Reed p/n 88980)	serial # <input type="text"/>

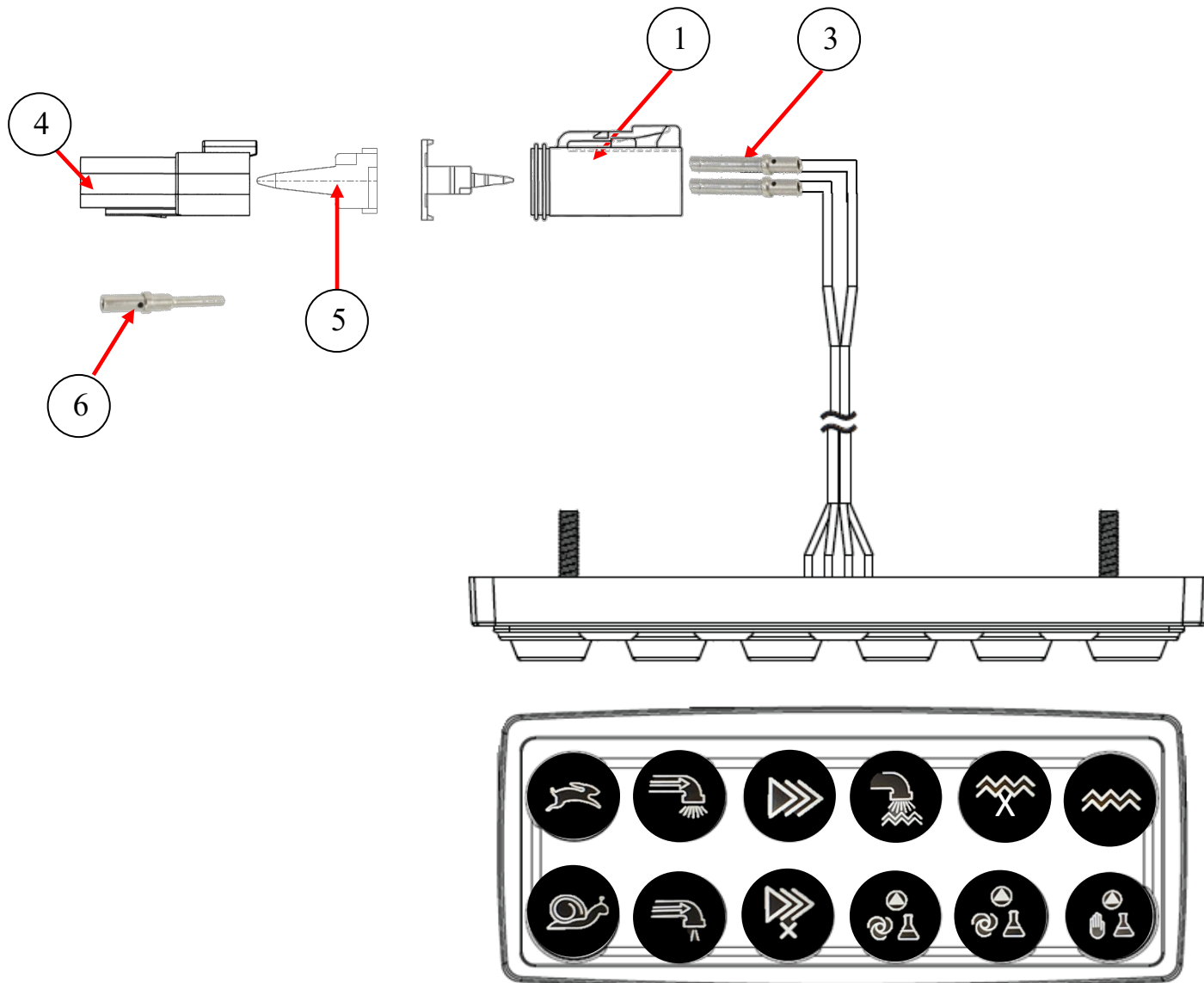
Panel serial # →
 Pump type →
 PLC program →
 Tier version →
 Display serial # →
 Expansion module serial # →
 Fuse/Relay box serial # →

BUSS BAR SET-UP

89237 BUS MOUNT PLATE



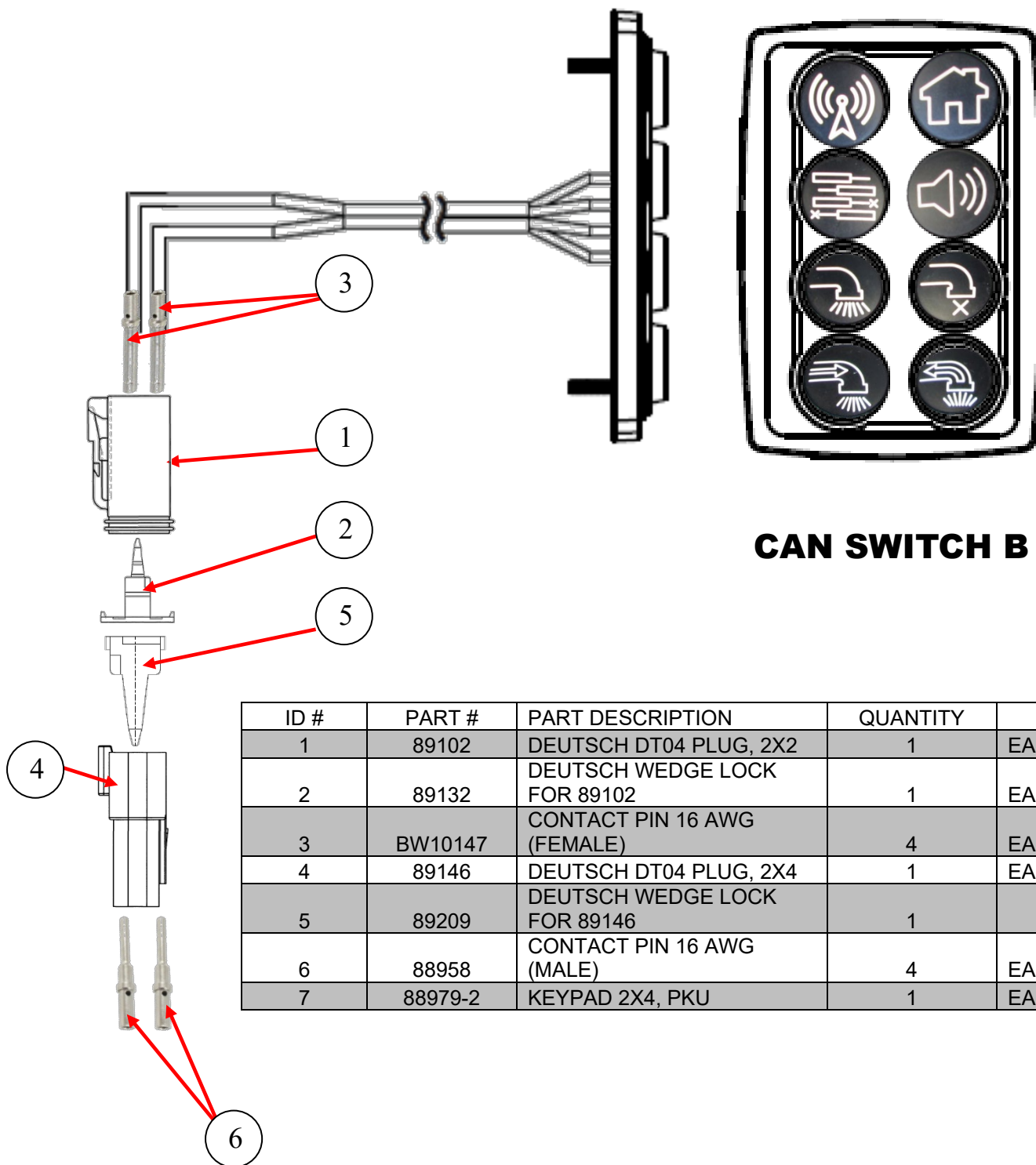
CAN PUSH BUTTON SWITCH PLUG SWITCH A



CAN SWITCH A

ID #	PART #	PART DESCRIPTION	QUANTITY	
1	89102	DEUTSCH DT04 PLUG, 2X2	1	EA
2	89132	DEUTSCH WEDGE LOCK FOR 89102	1	EA
3	BW10147	CONTACT PIN 16 AWG (FEMALE)	4	EA
4	89146	DEUTSCH DT04 PLUG, 2X4	1	EA
5	89209	DEUTSCH WEDGE LOCK FOR 89146	1	EA
6	88958	CONTACT PIN 16 AWG (MALE)	4	EA
7	88978-2	KEYPAD 2X6, PKU	1	EA

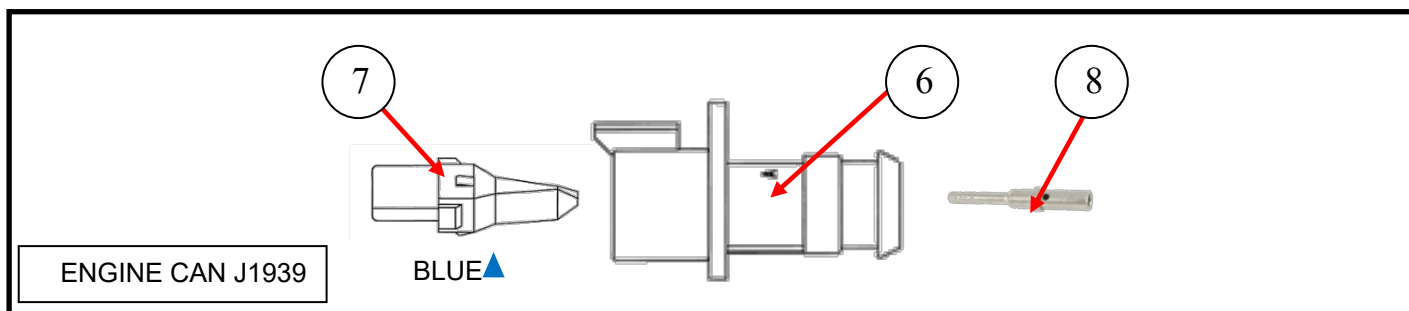
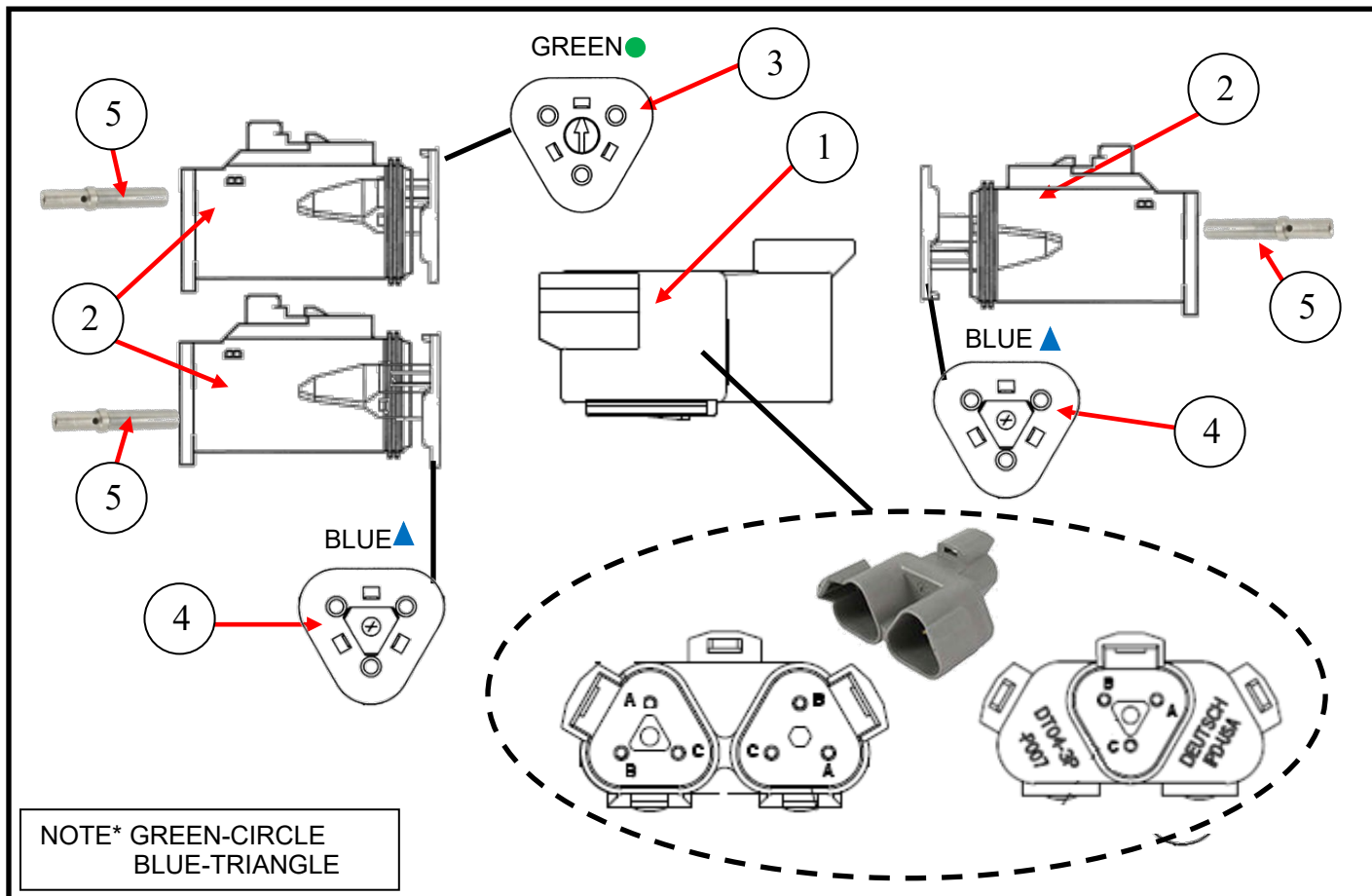
CAN PUSH BUTTON SWITCH PLUG SWITCH B



CAN SWITCH B

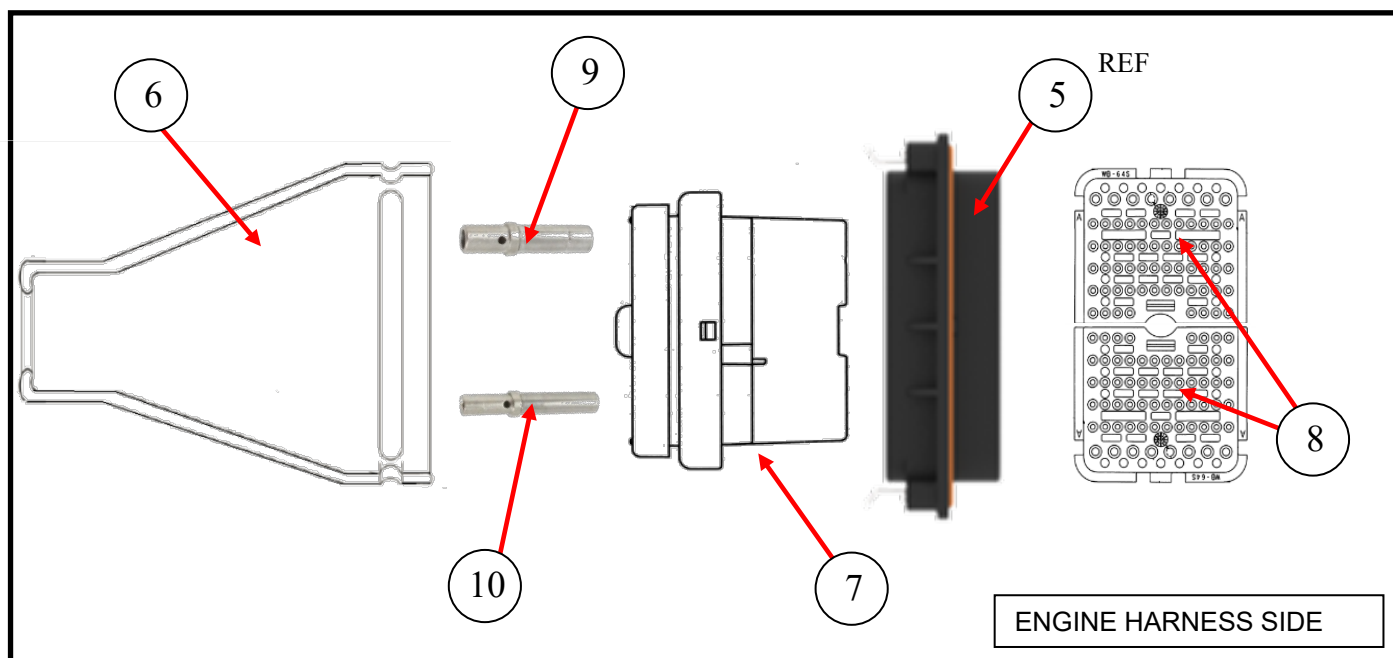
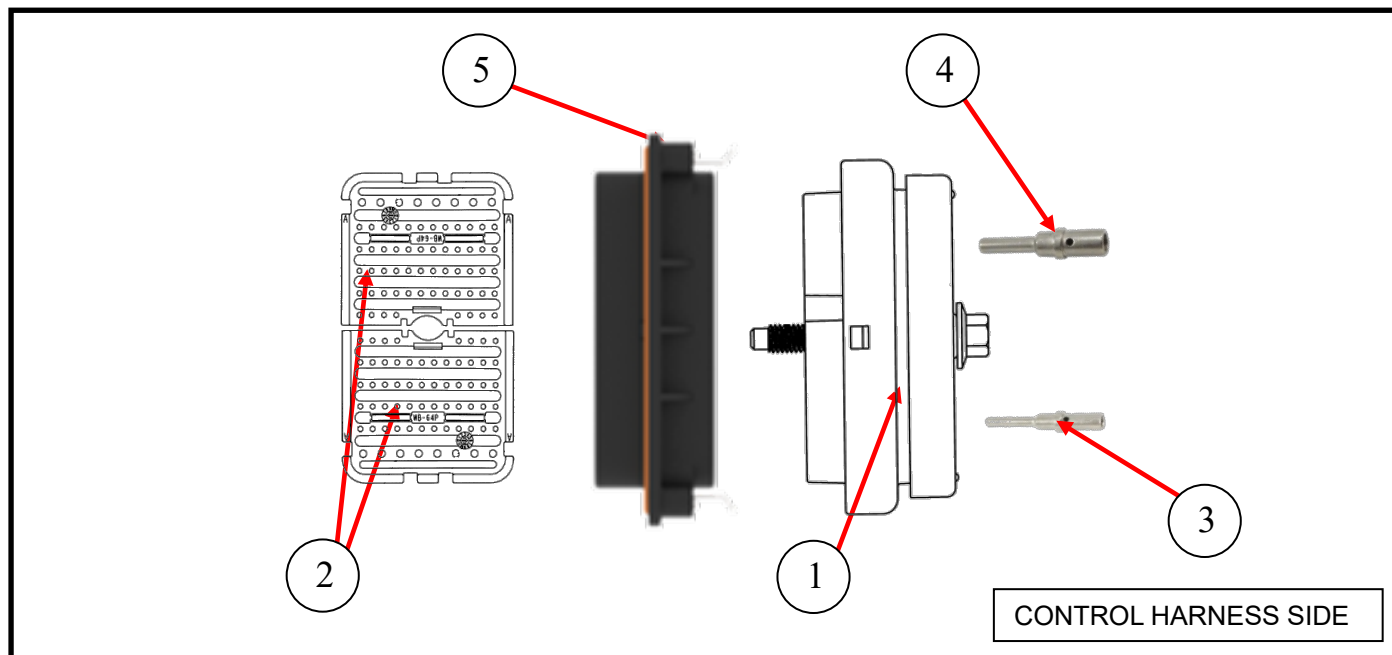
ID #	PART #	PART DESCRIPTION	QUANTITY	
1	89102	DEUTSCH DT04 PLUG, 2X2	1	EA
2	89132	DEUTSCH WEDGE LOCK FOR 89102	1	EA
3	BW10147	CONTACT PIN 16 AWG (FEMALE)	4	EA
4	89146	DEUTSCH DT04 PLUG, 2X4	1	EA
5	89209	DEUTSCH WEDGE LOCK FOR 89146	1	
6	88958	CONTACT PIN 16 AWG (MALE)	4	EA
7	88979-2	KEYPAD 2X4, PKU	1	EA

CAN PLUGS, CONNECTORS

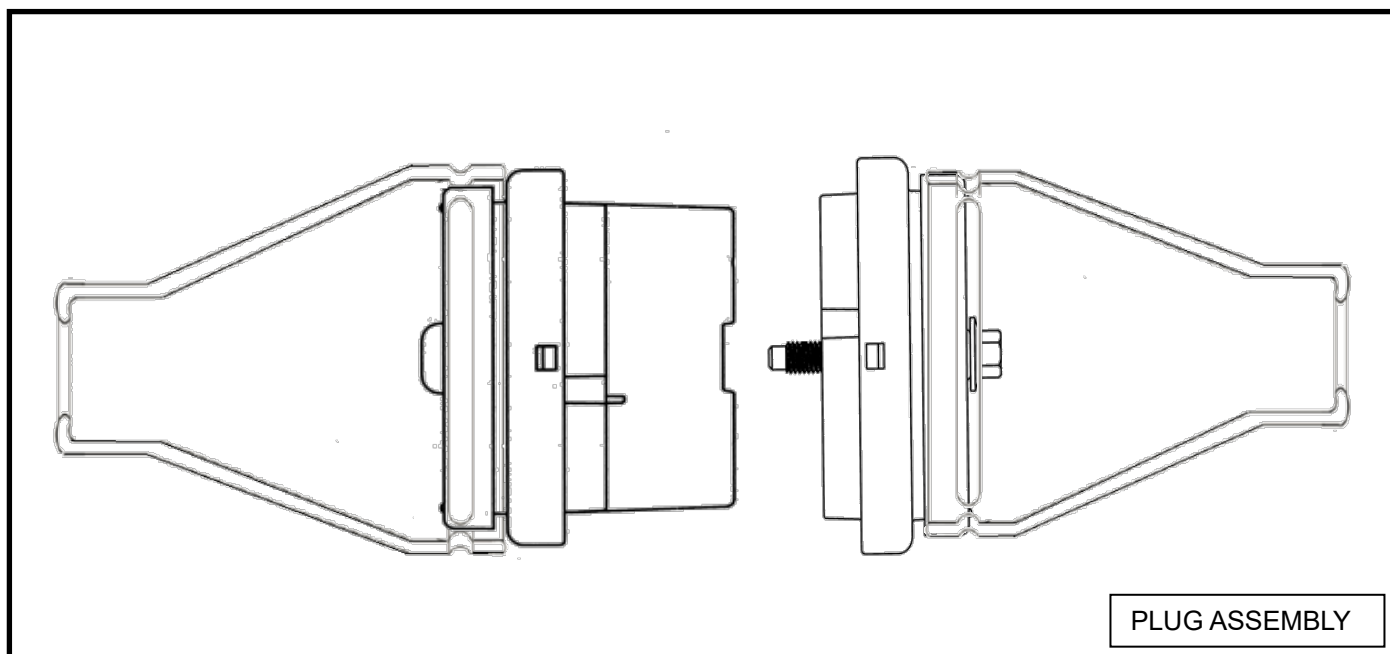


ID #	PART #	PART DESCRIPTION	QUANTITY	
1	88934	3 WAY T RECEPTICAL, DT SER.	1	EA
2	88935	3 WAY PLUG DT SER.	3	EA
3	88936	WEDGE LOCK FOR 3 WAY PLUG (GREEN)	2	EA
4	88937	WEDGE LOCK FOR 3 WAY PLUG (BLUE)	1	EA
5	BW10147	CONTACT SOCKETS, 16 AWG (FEMALE)	9	EA
6	88932	3 WAY RECEPTACLES, FLANGE MOUNT-LE08 MOD.	1	EA
7	88938	KEYED WEDGE LOCK FOR 3 WAY RECPT. DT SERIES	1	EA
8	88958	CONTACT PIN, 16 AWG (MALE)	3	EA

DEUTSCH 128 PLUG ASSEMBLY

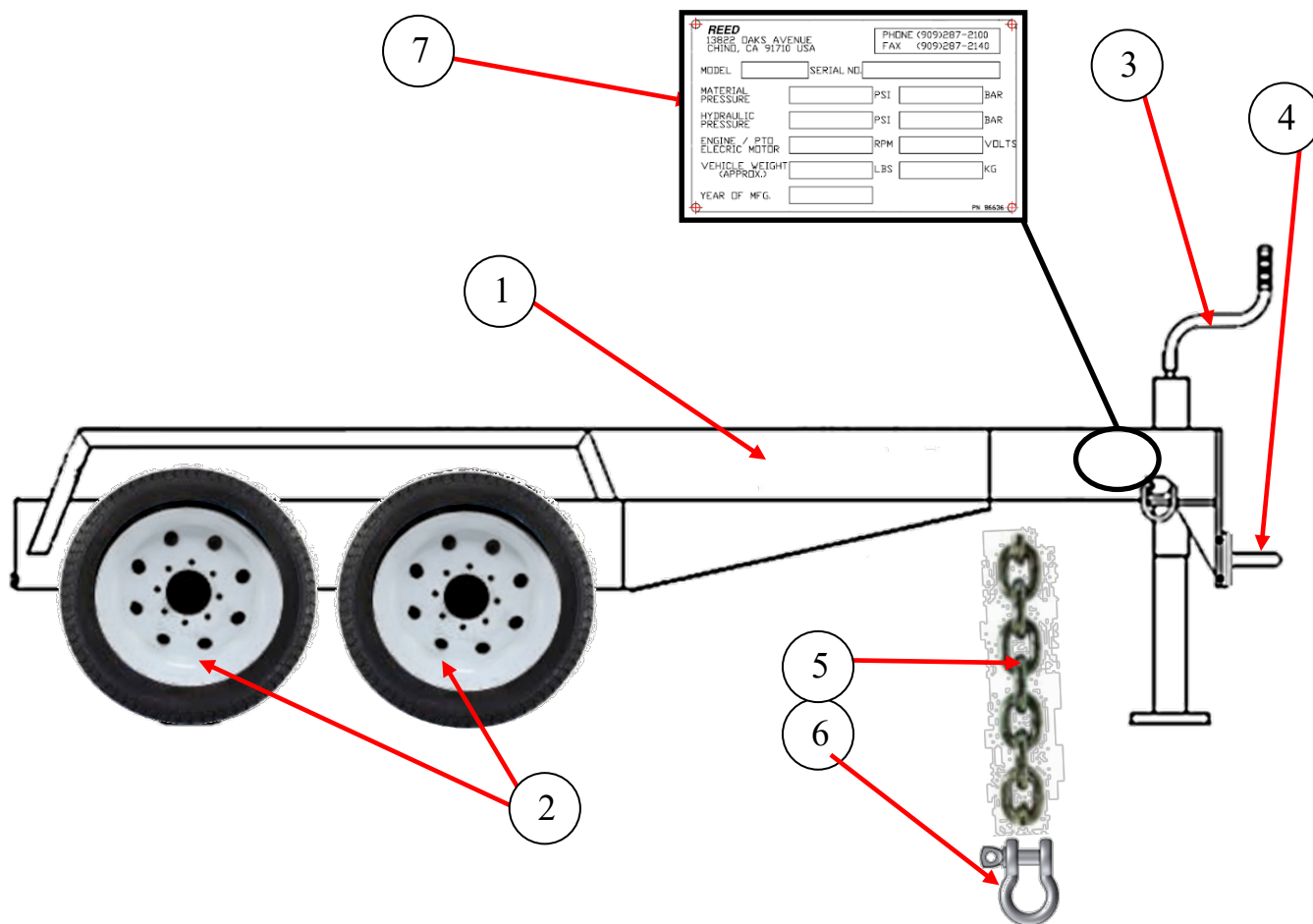


DEUTSCH 128 PLUG ASSEMBLY CONT.



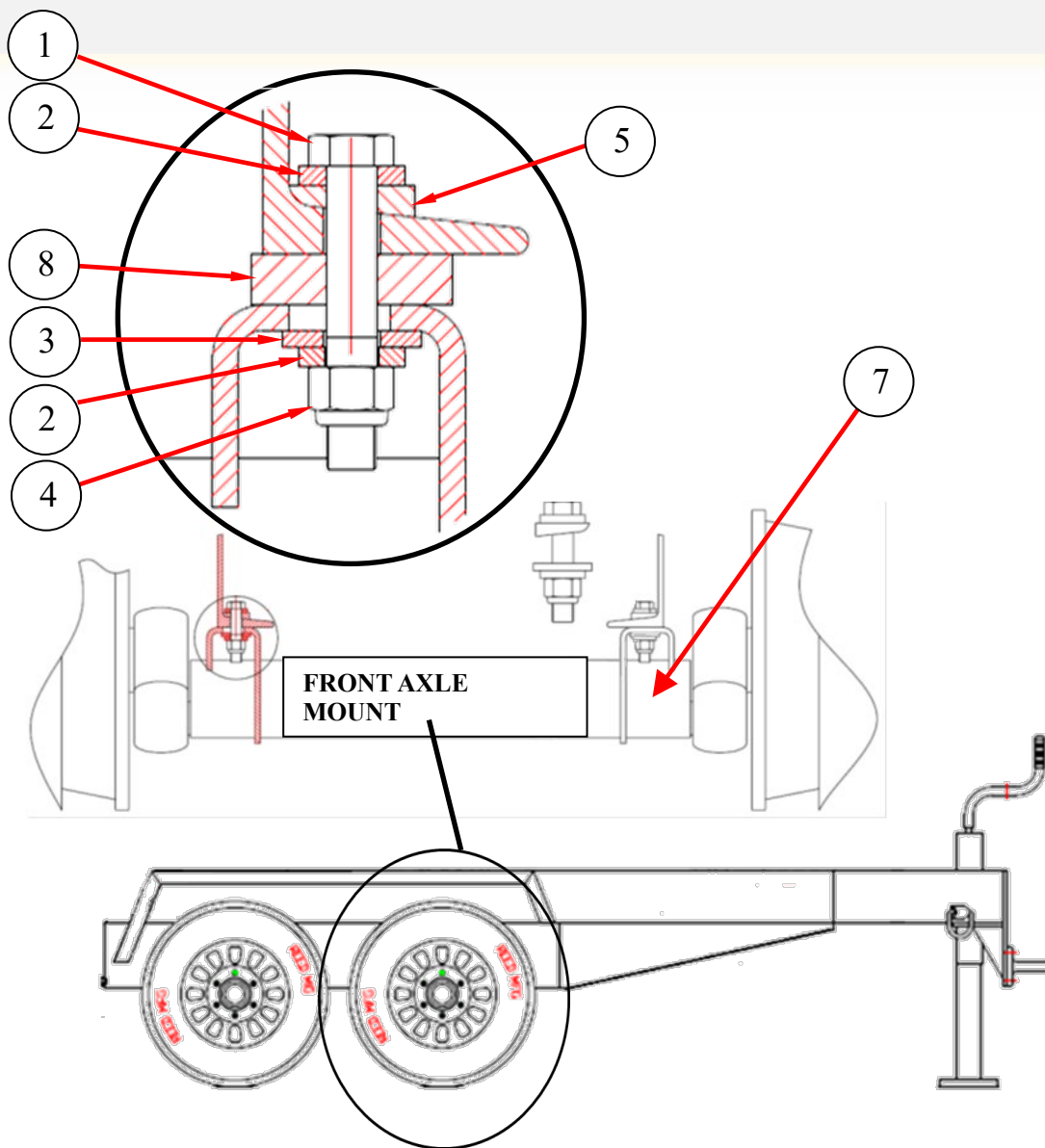
ID #	PART #	PART DESCRIPTION	QUANTITY	
1	89109	DEUTSCH RECEPTACLE 128 CONTACT, PIN	1	EA
2	89159	DEUTSCH WEDGE LOCK FOR 89157	2	EA
3	88958	CONTACT PIN SIZE 16 AWG, (MALE)	72	EA
4	87807	CONTACT PIN SIZE 12 AWG, (MALE)	16	EA
5	89158	DEUTSCH RECEPTACLE, FLANGE	1	EA
6	89109-B	DEUTSCH, BOOT COVER	1	EA
7	89157	DEUTSCH RECEPTACLE 128 CONTACT, SOCKET	1	EA
8	89116	DEUTSCH WEDGE LOCK FOR 89157	2	EA
9	87457	CONTACT SOCKET, SIZE 12 AWG, (FEMALE)	1	EA
10	BW10147	CONTACT SOCKET, SIZE 16 AWG, (FEMALE)	1	EA

FRAME INSTALLATION FRAME, TIRES, JACK, AND TOW EYE



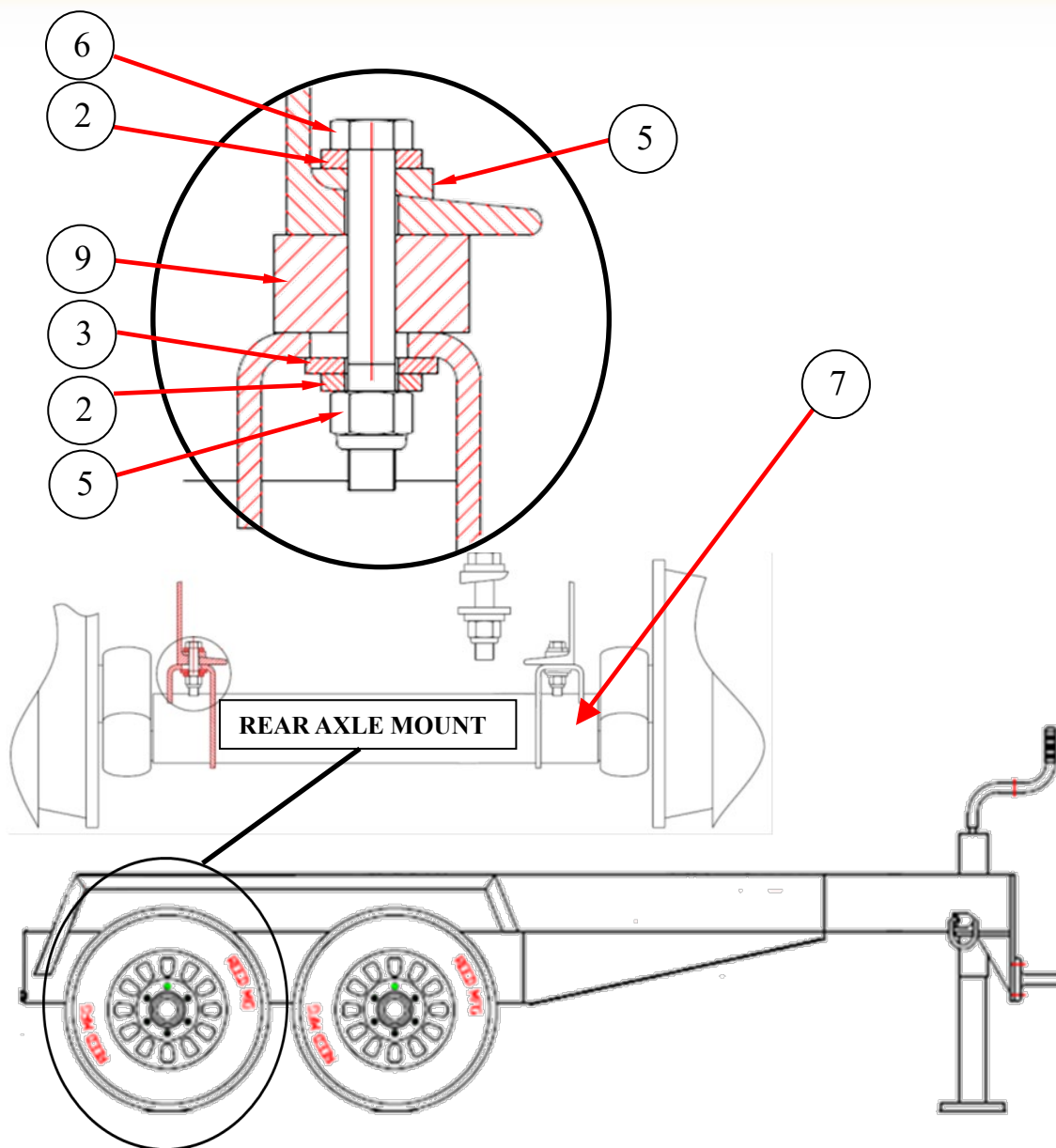
ID #	PART #	PART DESCRIPTION	QUANTITY	
	89486	FRAME ASSY, DUAL AXLE TIER-4 FINAL	REF	
1	89485	FRAME WELDMENT 36" STOCK TIER-4	1	EA
2	85423	TIRE & WHEEL ASSY -215/75R17.5 H	4	EA
3	85123	JACK WELDMENT	1	EA
4	87037	DRAW BAR	1	EA
5	87086	CHAIN ASSY	2	EA
6	87085	SHACKLE ANCHOR, SCREW PIN, 1/2 6600	4	EA
7	803326	SERIAL NUMBER PLATE (BLANK)	1	EA

7000LB AXLE MOUNTING ASSEMBLY FRONT



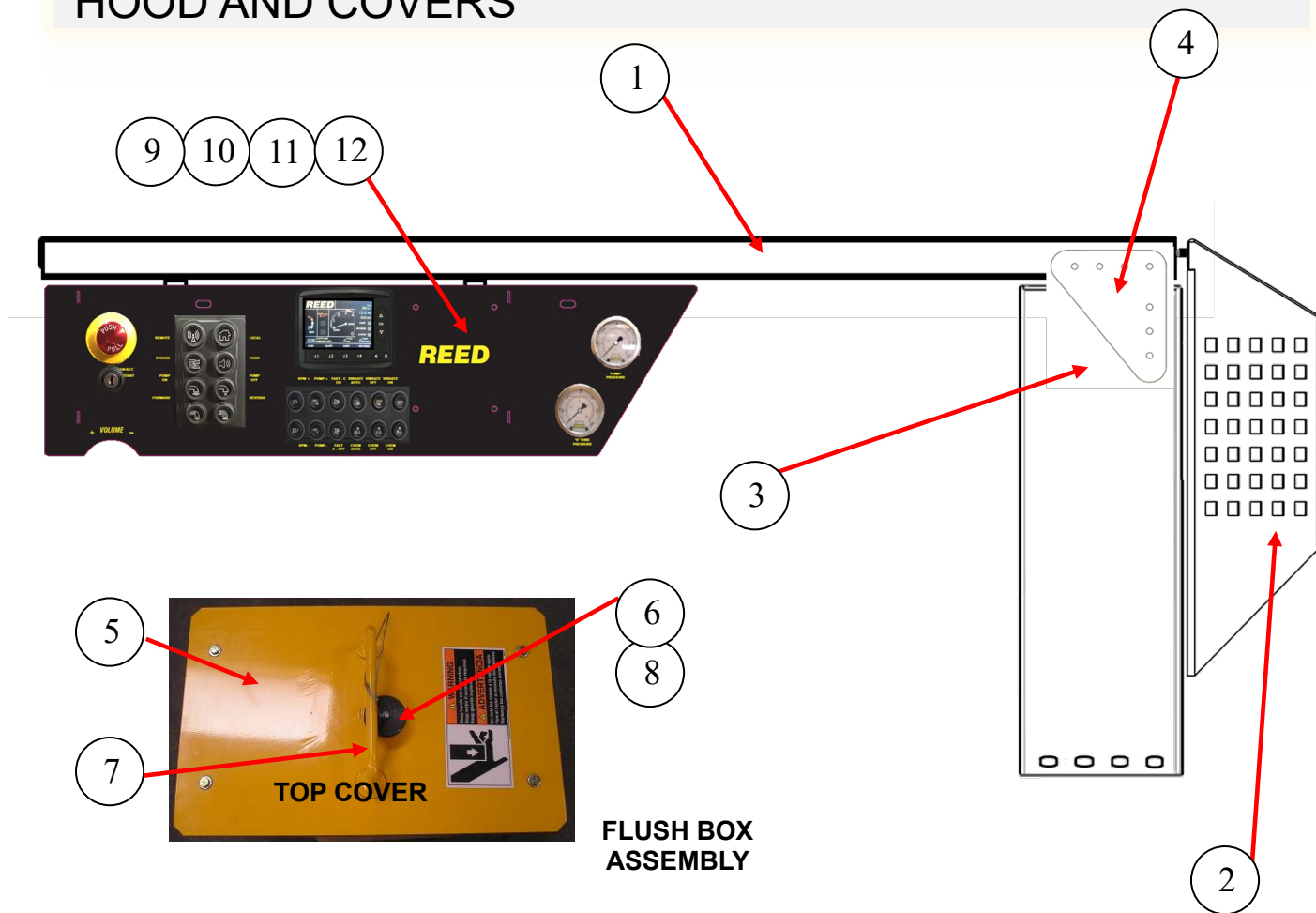
ID #	PART #	PART DESCRIPTION	QUANTITY	
	89030-H	AXLE MOUNTING HARDWARE KIT B20	1	EA
1		1/2" -20 X 2.5 HHCS GR8	4	EA
2		1/2" SAE WASHER	8	EA
3		1/2" USE WASHER	4	EA
4		1/2" SAE WASHER	4	EA
5		1/2" - 20 LOCK NUT	4	EA
6		1/2" BEVELED WASHER	4	EA
7	89010	AXLE, TORSION, 7000 LB 8 on 6.50, C-SER	1	EA
8	89011	SPACER AXLE MOUNT FRONT	2	EA

7000LB AXLE MOUNTING ASSEMBLY REAR



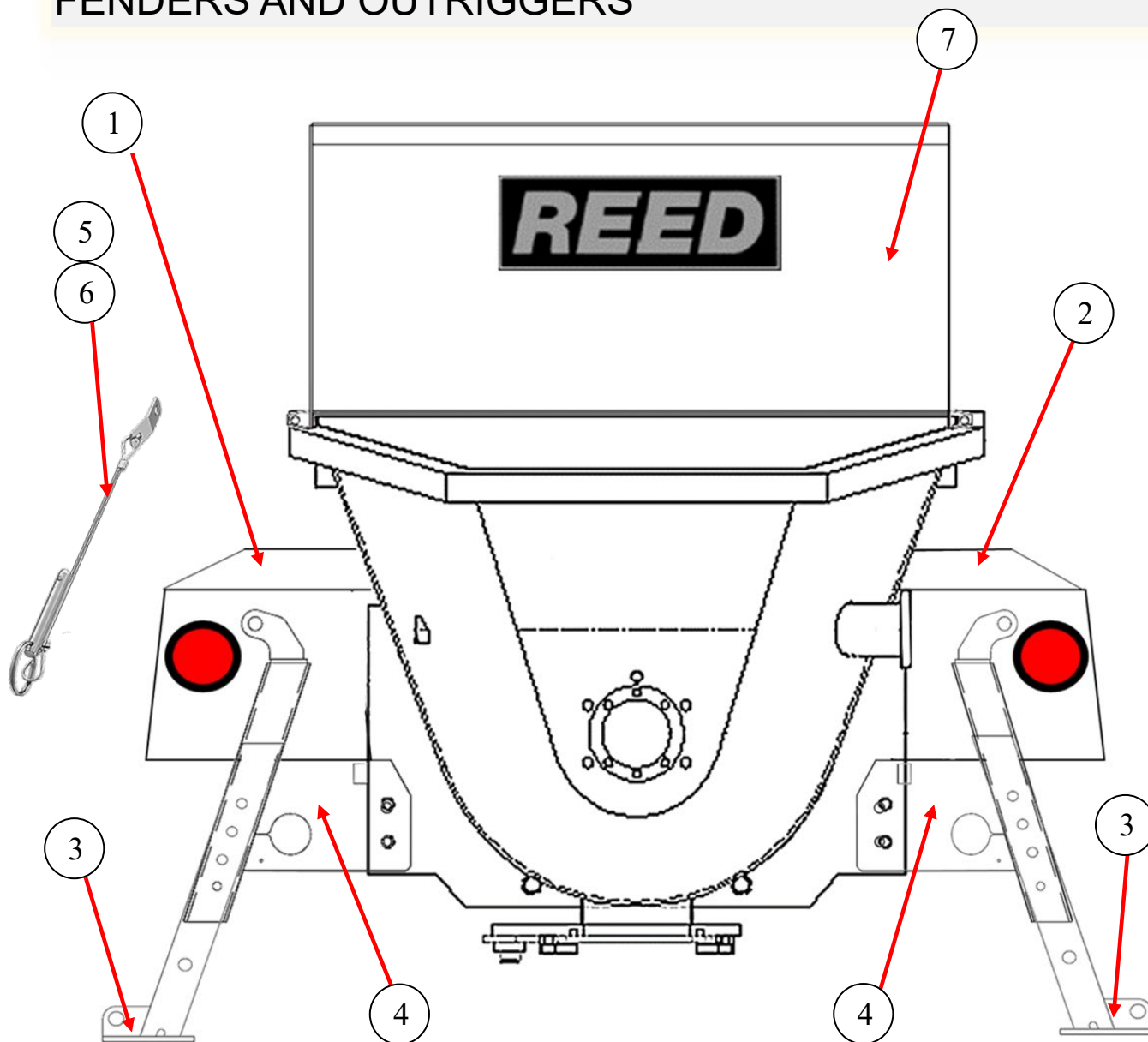
ID #	PART #	PART DESCRIPTION	QUANTITY	
	89030-H	AXLE MOUNTING HARDWARE KIT	1	EA
2		1/2" SAE WASHER	8	EA
3		1/2" USE WASHER	4	EA
4		1/2" - 20 LOCK NUT	4	EA
5		1/2" BEVELED WASHER	4	EA
6		1/2" -20 X 4.5 HHCS GR8	2	EA
7	89010	AXLE, TORSION, 7000 LB	2	EA
9	89012	SPACER AXLE MOUNT REAR	2	EA

HOOD AND COVERS



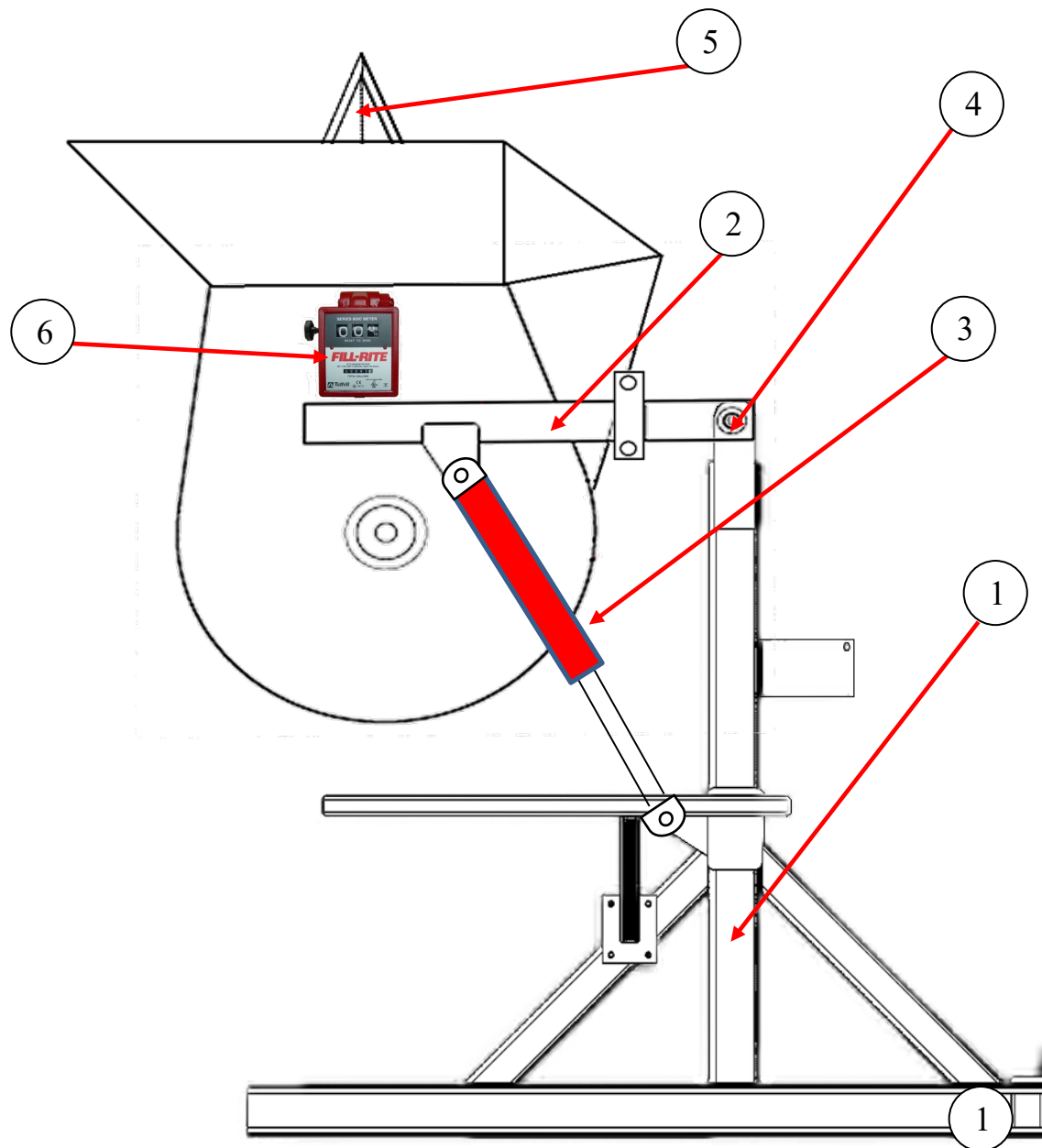
ID #	PART #	PART DESCRIPTION	QUANTITY	
1	89482-2	COVER TOP, B SER T4/PLC 130HP CUMMIN	1	EA
2	89284	COVER FRONT WELD, B SER CUM TIER-4	1	EA
3	87592	COVER FRONT AIR INTAKE, B-SEREIES	1	EA
4	87647	GUSSET ENGINE COVER PAINTED	2	EA
5	88187	COVER WELDMENT, FLUSH BOX	1	EA
6	86105	KNOB	1	EA
7	79056	HANDLE	1	EA
8	800418	LANYARD, Q/R PIN	2	EA
9	89333-T3	CONTROL PANEL ASSY PLC, TIER-4 FINAL	1	EA
10	89337	MOUNTING BRACKET, PLC CONTROL PANEL	3	EA
11	89461-1	WASHER, LEATHER, 3/4 X 1/4	2	EA
12	800347	HORN,12V	1	EA

FENDERS AND OUTRIGGERS



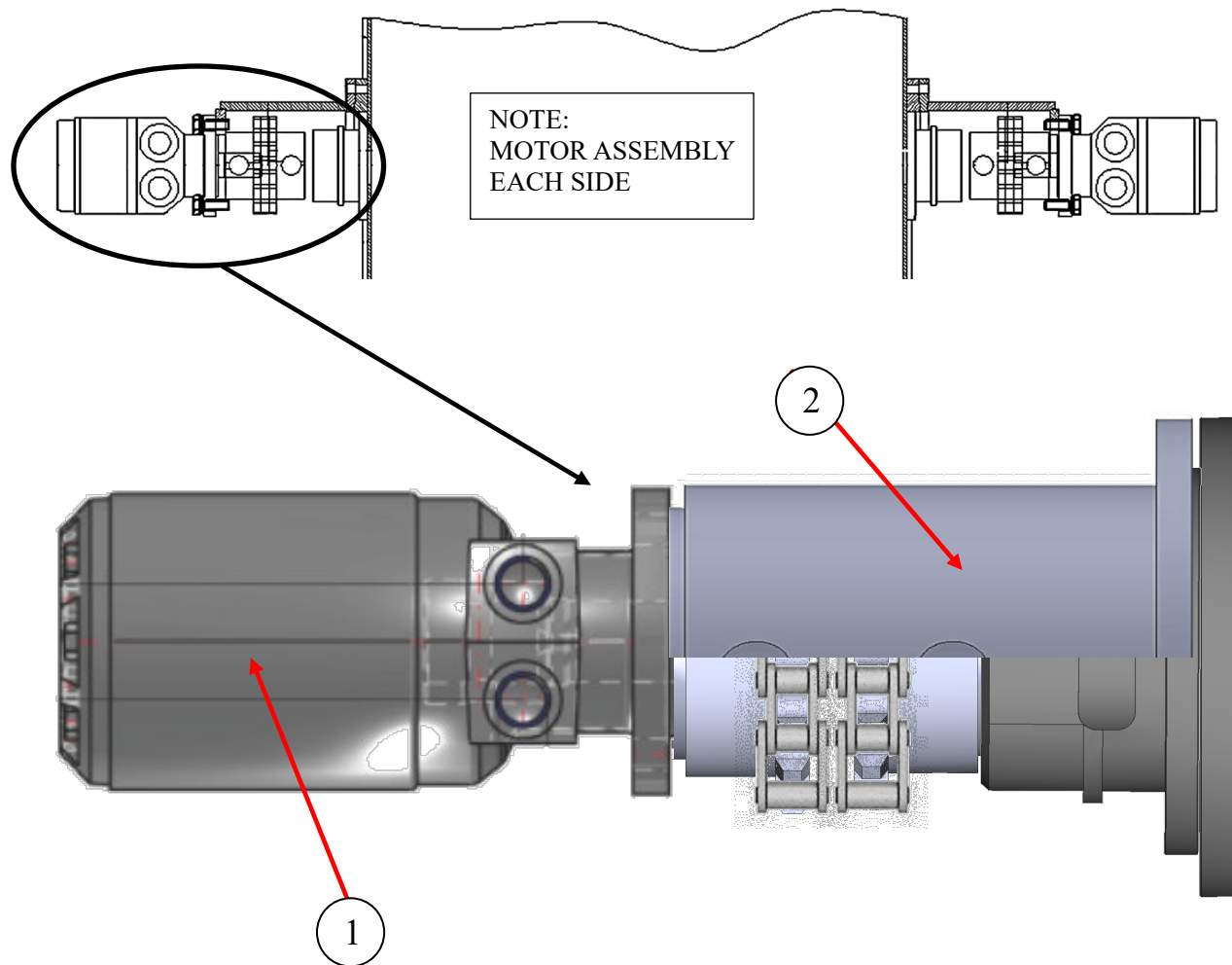
ID #	PART #	PART DESCRIPTION	QUANTITY	
1	85394	FENDER, RH, C-SERIES PAINTED	1	EA
2	85395	FENDER, LH, C-SERIES PAINTED	1	EA
3	86553	OUTRIGGER WELDMNT, INNER-PAINTED	2	EA
4	86557	OUTERTUBE, O/R B & C - PAINTED	2	EA
5	85595	PIN, Q/R, 5/8 DIA X 3 1/2 L	2	EA
6	800418	LANYARD, Q/R PIN	2	EA
7	85714-1	SPLASH GUARD	1	EA

REMOVABLE LIFT MIXER ASSEMBLY



ID #	PART #	PART DESCRIPTION	QUANTITY	
	89811	LIFT MIXER ASSY	REF	
1	89817	LIFT MIXER WELDMENT	1	EA
2	89772	LIFT MIXER FRAME WELDMENT	1	EA
3	89810	HYD CYLINDER-2.00 BORE X 18.00STR	2	EA
4	76882	PIVOT PIN-MIXER	2	EA
5	89829	BAG BREAKER LIFT MIXER	1	EA
6	71428	FLOW METER(1P951 W.W.G.	1	EA

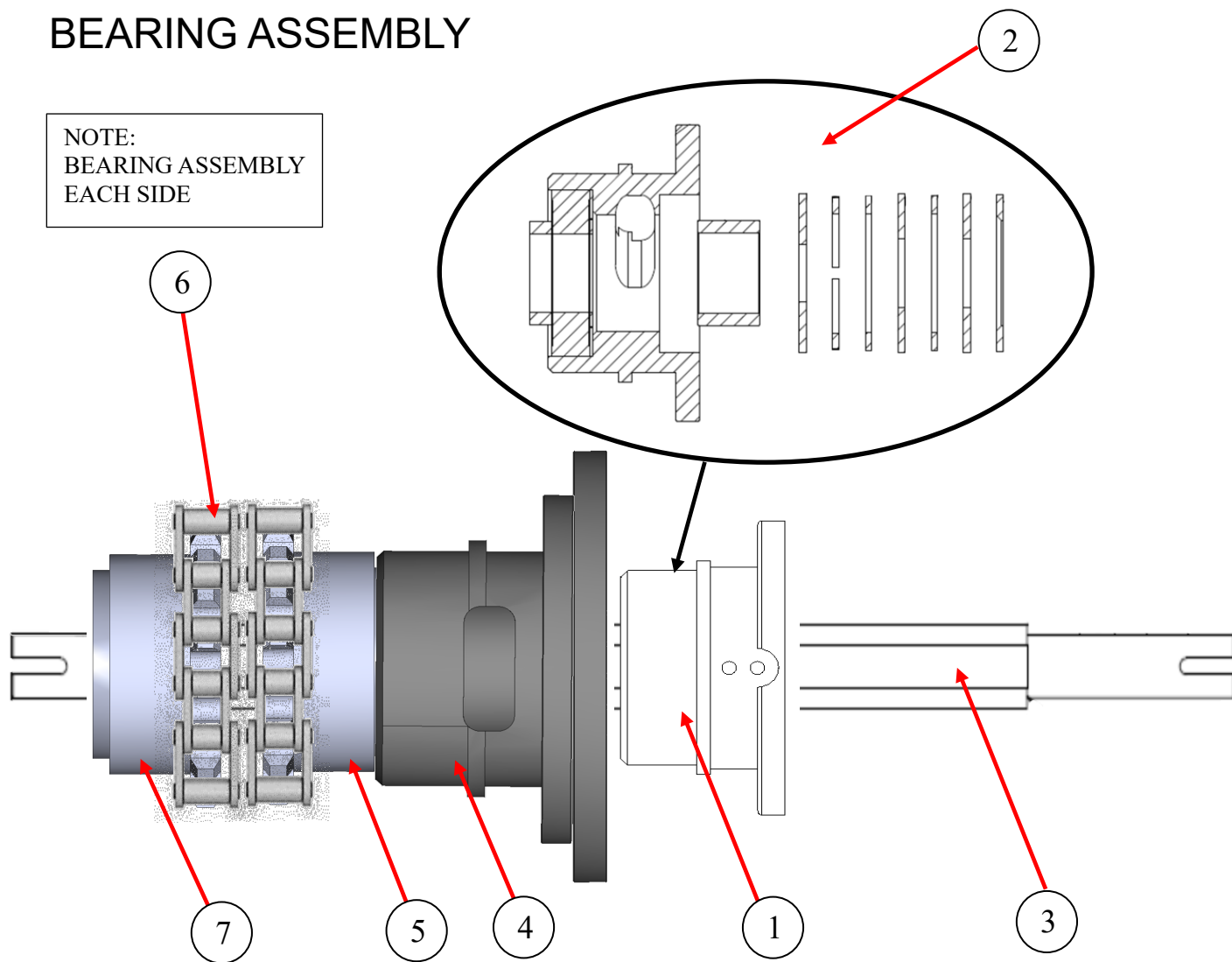
MIXER DUAL MOTOR ASSEMBLY



ID #	PART #	PART DESCRIPTION	QUANTITY	
1	86546	HYD MOTOR -45.6 CID -1.25 SHAFT	2	EA
2	88229	MOTOR COVER WELDMENT	2	EA

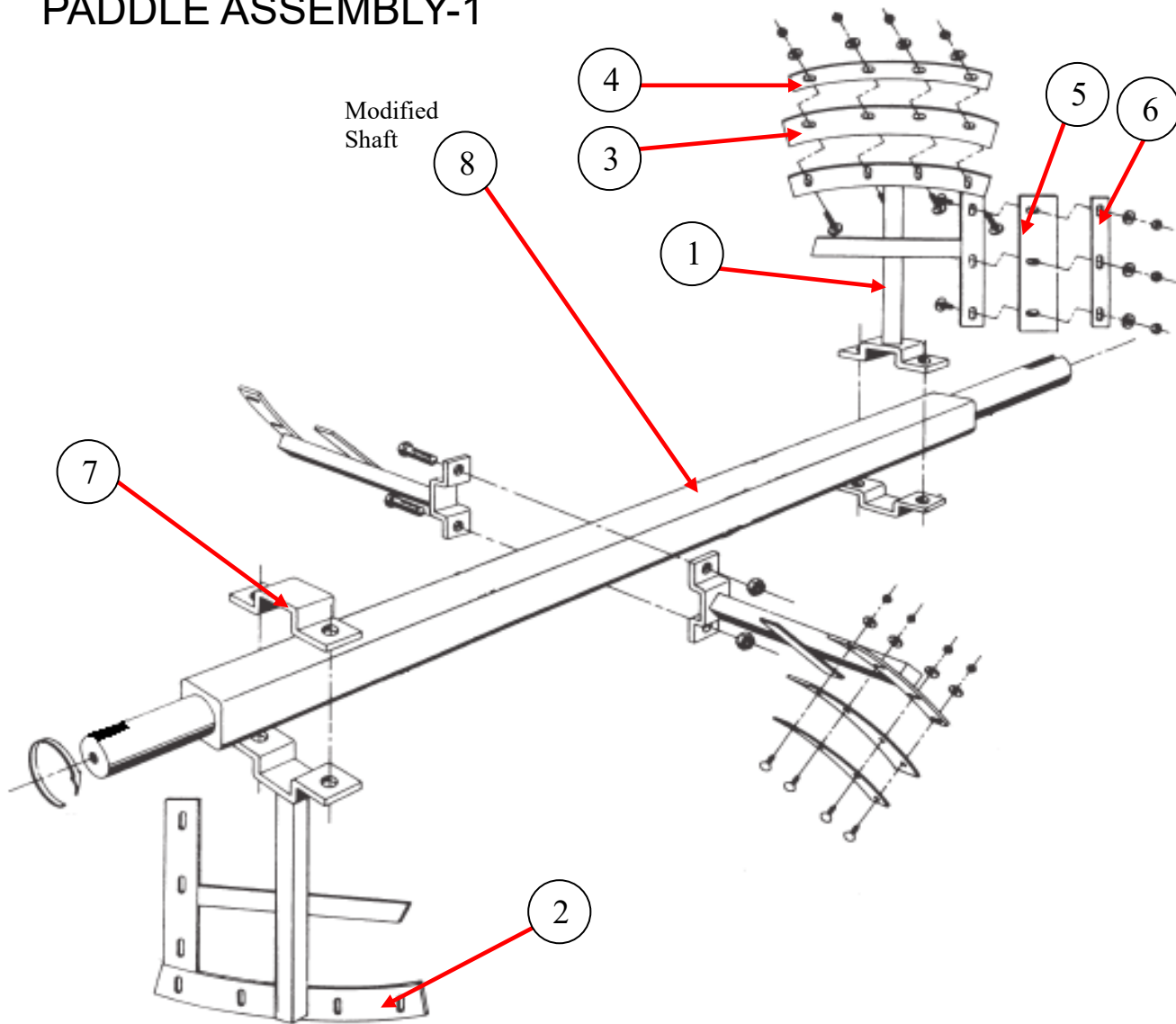
BEARING ASSEMBLY

NOTE:
BEARING ASSEMBLY
EACH SIDE



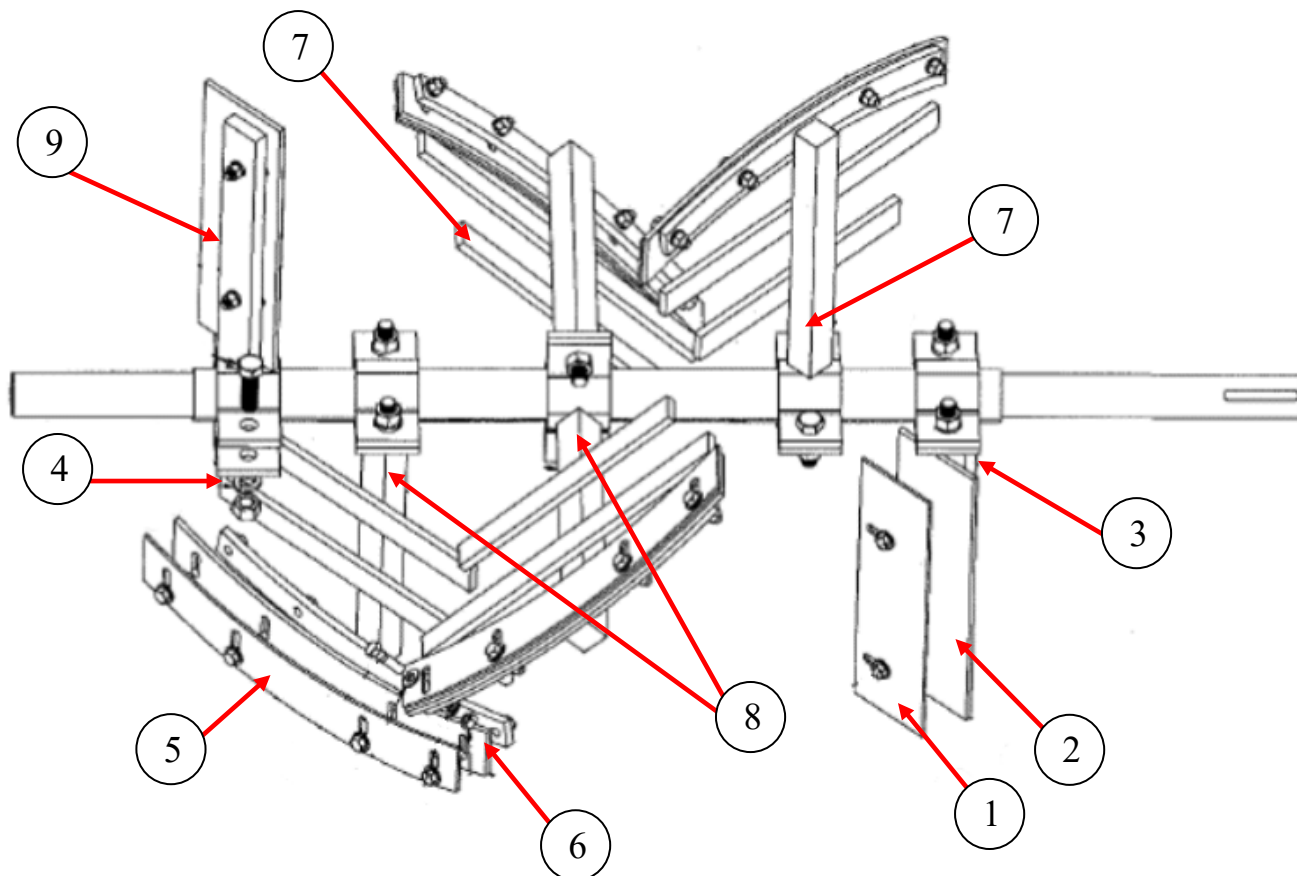
ID #	PART #	PART DESCRIPTION	QUANTITY	
1	88129	MOTOR MOUNT WELDMENT, STONE MIXER	2	
2	87903-11A	ASSY & REWORK DWG F/87901-11 SEAL KIT		EA
3	88371	SHAFT WELDMENT, REED LIFT MIXER	1	EA
4	87903-10	HOUSING BEARING MACHINED	2	EA
5	88093	CHAIN, COUPLING 6018-1 1/2" HUB	2	EA
6	88094	CHAIN, COUPLING 6018	2	EA
7	88130	SPROCKET MODIFICATION	2	EA

PADDLE ASSEMBLY-1



ID #	PART #	PART DESCRIPTION	QUANTITY	
	87903-12	PADDLE ASSY, STONE MIXER 1050PM (DUAL)	REF	
1		PADDLE (VENDOR P/N 21464-2)	1	EA
2		PADDLE COMPETE (VENDOR P/N 21467-2)	1	EA
3		BLADE RUBBER LONG (VENDOR P/N 24106)	4	EA
4		BACK BAR LONG (VENDOR P/N 24104-2)	4	EA
5		BLADE RUBBER SHORT (VENDOR P/N 24105)	2	EA
6		BAR BACKER SHORT (VENDOR P/N 24103-2)	2	EA
7		PADDLE CLAMP (VENDOR P/N 26882)	2	EA
8	88371	SHAFT, WELDMENT, REED MIXER	REF	

PADDLE ASSEMBLY-2



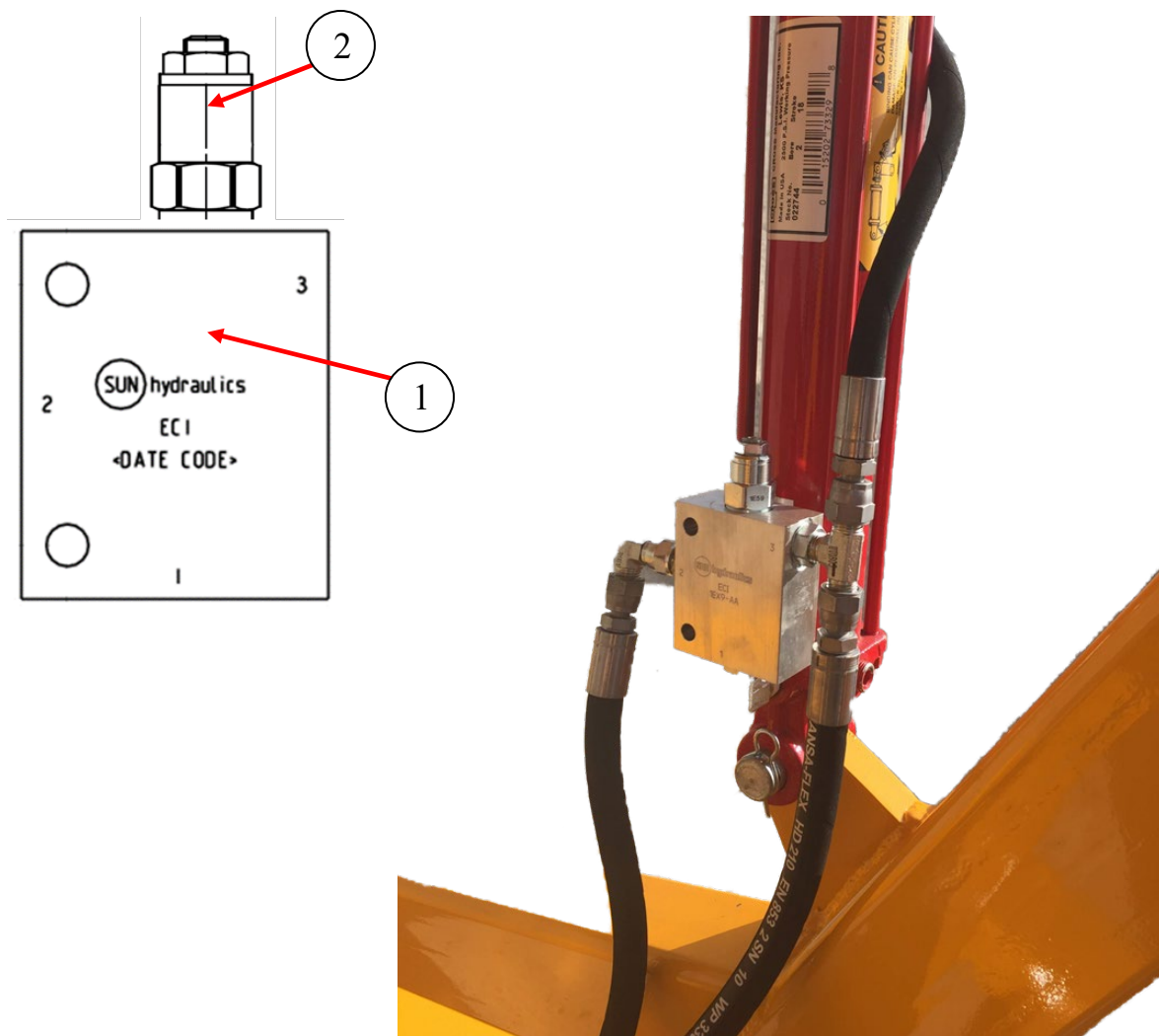
ID #	PART #	PART DESCRIPTION	QUANTITY	
	89582-PA	PADDLE ASSY 1200MP (SINGLE)	REF	
1	97030	SIDE STEEL, MIXING BLADE	2	EA
2	97019	RUBBER SIDE SCRAPER	2	EA
3	97047	ENGINE END SIDE WIPER	1	EA
4	97026	MIXING ARM CAP	4	EA
5	97029	STEEL MIXING BLADE	4	EA
6	97027	RUBBER MIXING BLADE	4	EA
7	97025	ENGINE END MIXING ARM	2	EA
8	97023	TOW END MIXING ARM	2	EA
9	97048	TOW END SIDE WIPER	1	EA

VALVE ASSEMBLY



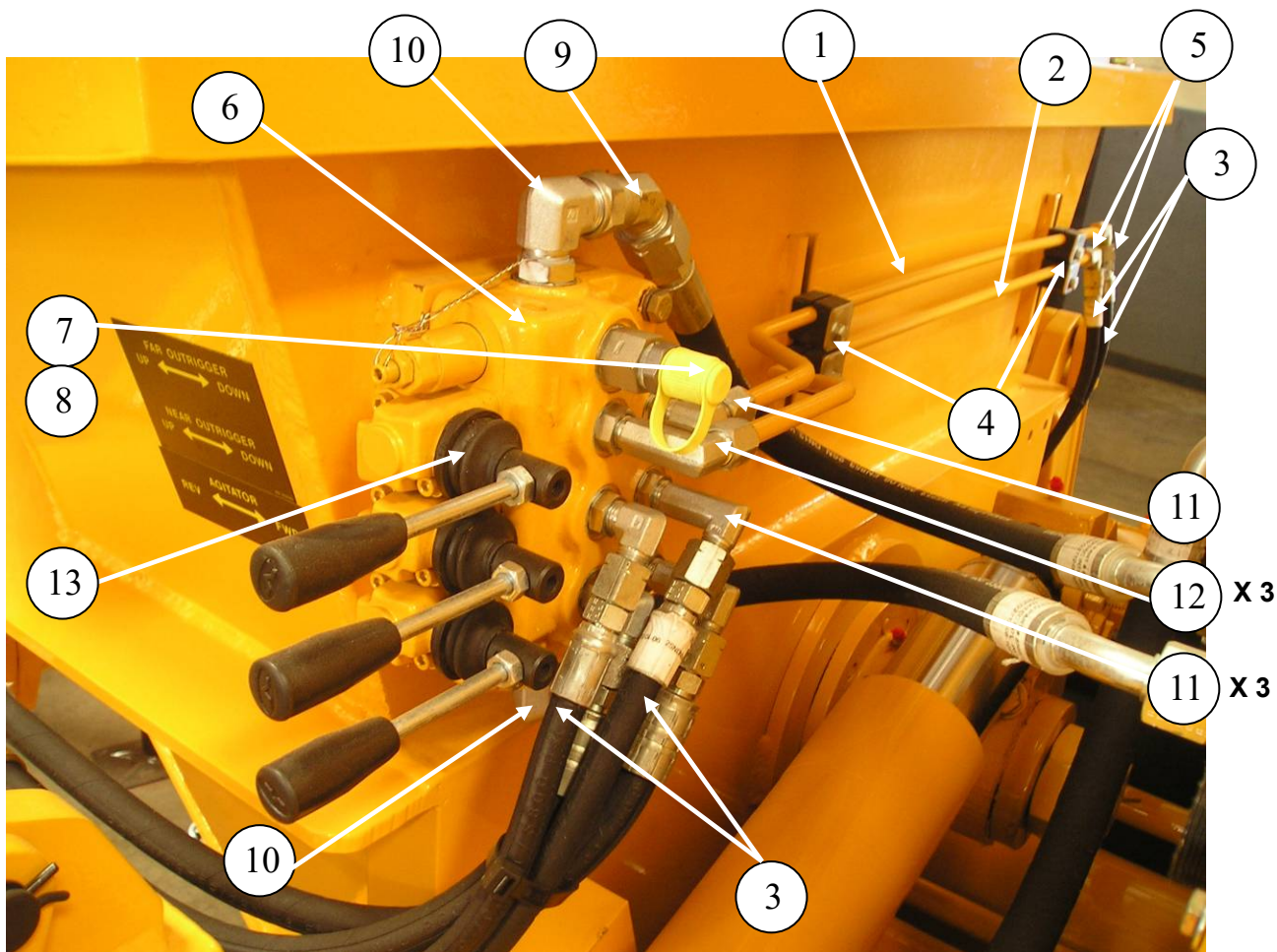
ID #	PART #	PART DESCRIPTION	QUANTITY	
1	89809	VALVE WALVIOL 2 SPOOL W/ONE FRICTION SEC	1	EA

MIXER DIRECTIONAL CONTROL VALVE



ID #	PART #	PART DESCRIPTION	QUANTITY	
1	87912-1	MANF LINE MNT SAE PORT AL BODY F87913	2	EA
2	87913	COUNTER BALANCE VALVE, 5 GPM 4.5:1 RATIO	2	EA

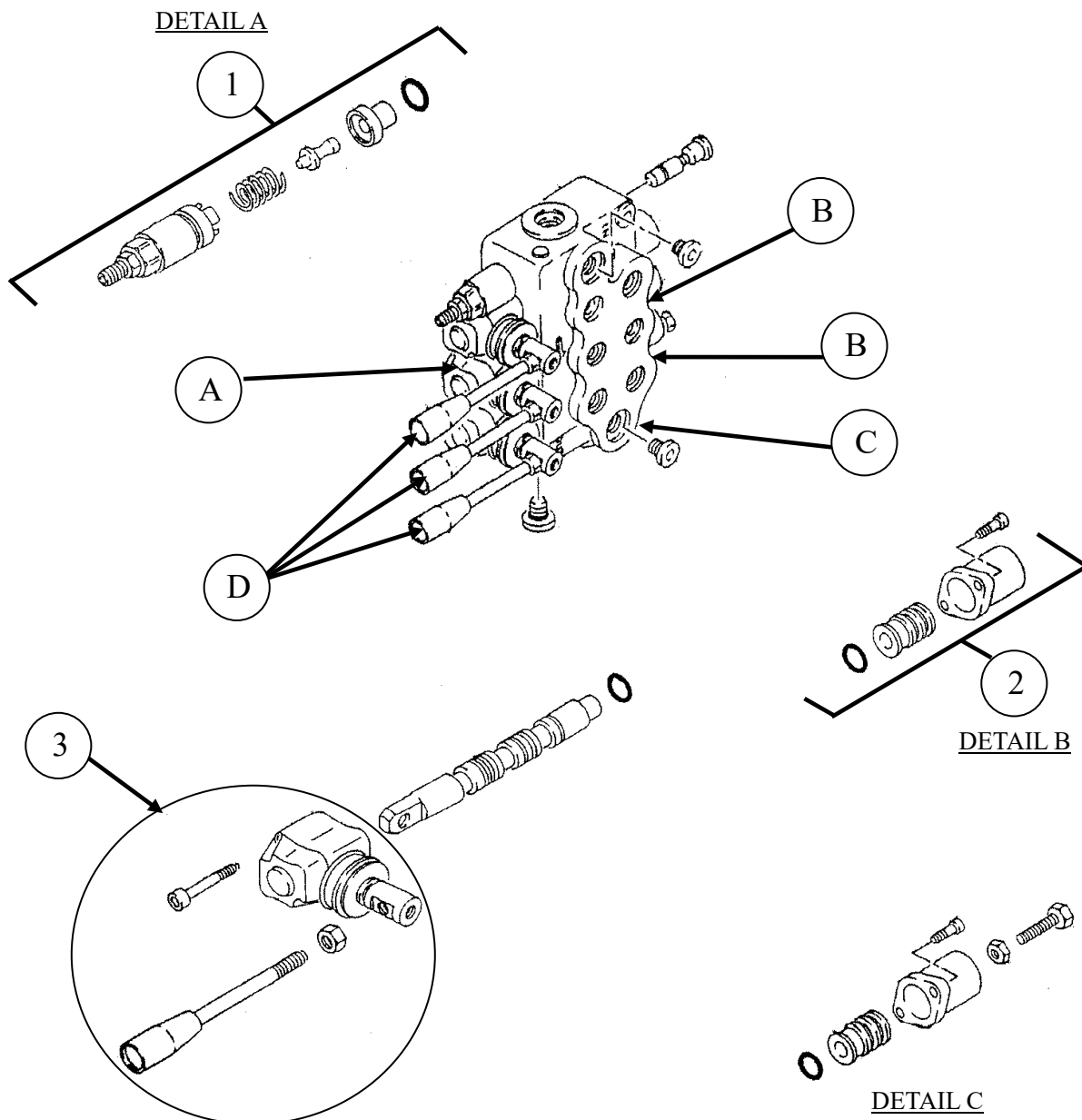
HYDRAULIC OUTRIGGER GROUP



ID #	PART #	PART DESCRIPTION	QUANTITY	
	88041AO	HYD OUTRIGGER GROUP (AGIT=OUTRIGGER)	REF	
1	85685	TUBE, HYD, OUTRIGGER - PAINTED	1	EA
2	85686	TUBE, HYD, OUTRIGGER - PAINTED	1	EA
3	85659-010	HOSE, 4M2T-6FJX-6FJX-33.00	4	EA
4	801902-020	TUBE CLAMP - 3/8 IN - HALF	4	EA
5		MJ-MJ90-6-6	2	EA
6	74471	VALVE, MAUNAL-3 SPOOL	1	EA
7	800083	FITTING, MINI CHECK (PORT)	1	EA
8	86750	ADAPTER, MB-FB-8-6	1	EA
9	86749	FITTING, MJ-FJX45-10-10	1	EA
10	86746	FITTING, 90° MB-MJ-90-8-10	2	EA
11	86748	FITTING, 90° MB-MJ90-6-6	3	EA
12	86747	FITTING, 90° MB-MJ90LL-6-6	3	EA
13	74471-B	BOOT, COVER	3	EA

OPTIONS

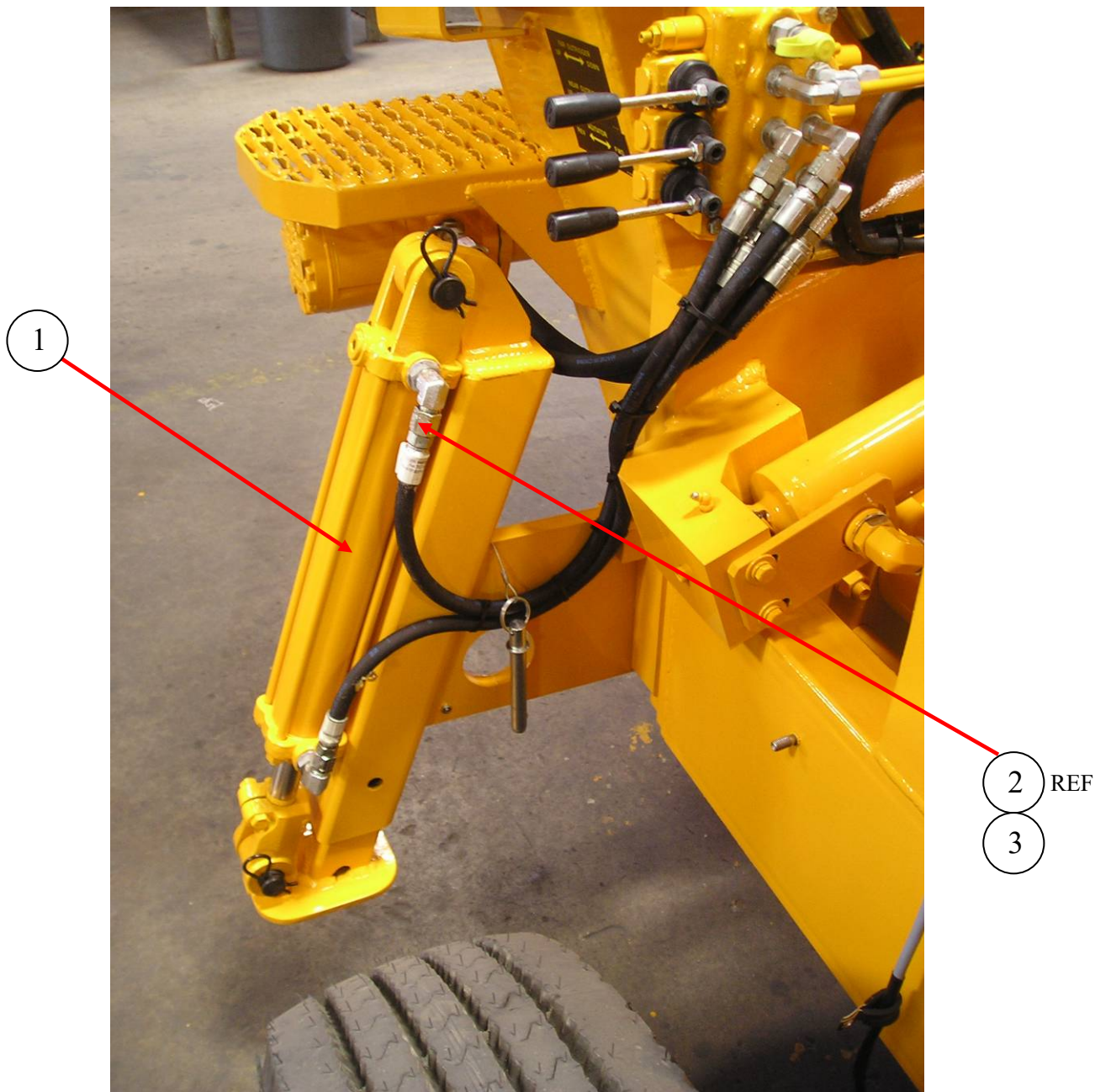
3 SPOOL CONTROL VALVE



ID #	PART #	PART DESCRIPTION	QUANTITY	
1	85706	RELIEF, CARTRIDGE	1	EA
2	74469	DETENT KIT, #11 WALVOIL VALVE	A/R	EA
3	74471-020	VALVE ACTUATOR FOR 74471, 74585, 74584 VALVES	A/R	EA

OPTIONS

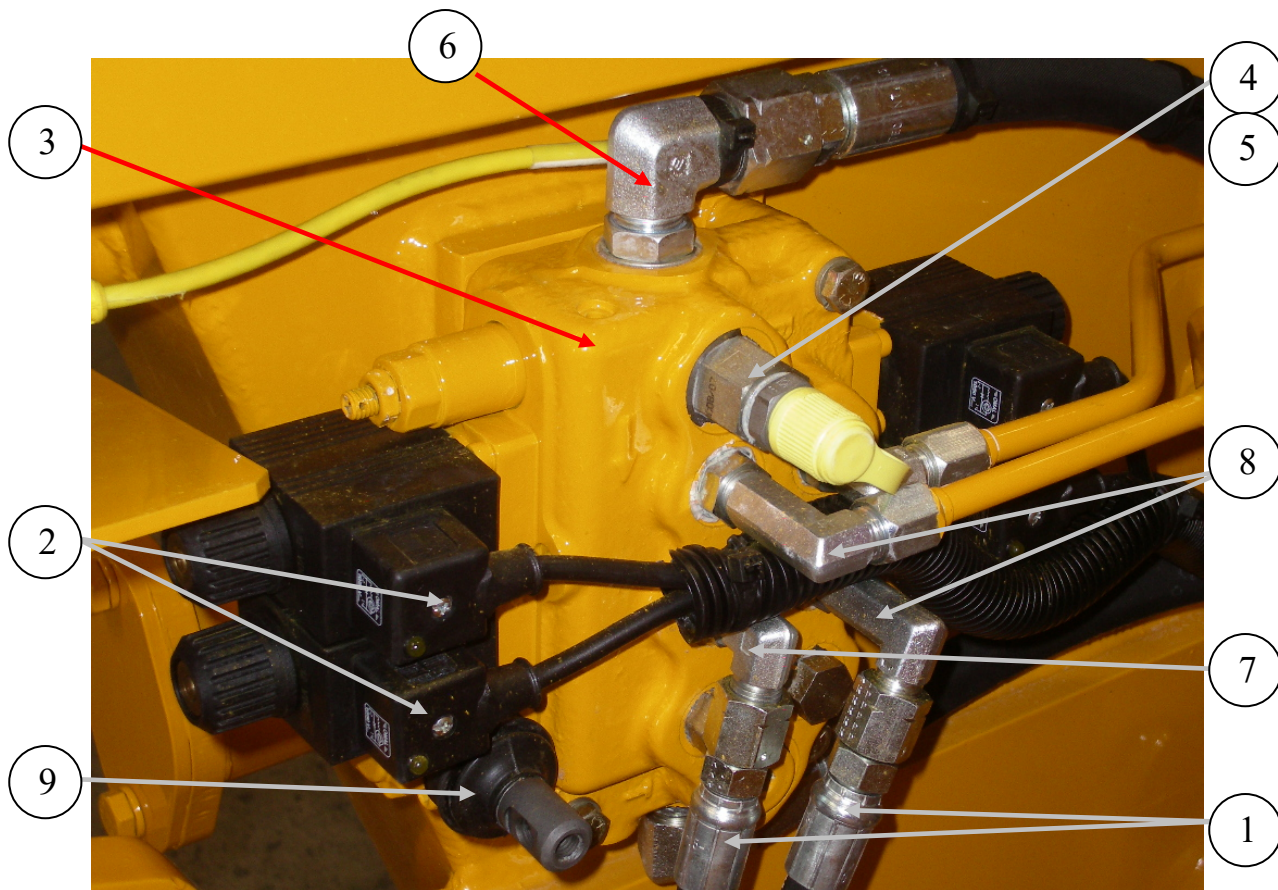
HYDRAULIC OUTRIGGER GROUP



ID #	PART #	PART DESCRIPTION	QUANTITY	
1	86574	HYD CYL – 2.00 BORE X 12.00 STR – PAINTED	2	EA
2	85659-010	HOSE, 4M2T-6FJX-6FJX-33.00	REF	EA
3	86728-008	FITTING, 90° MB-MJ90-8-6	4	EA

OPTIONS

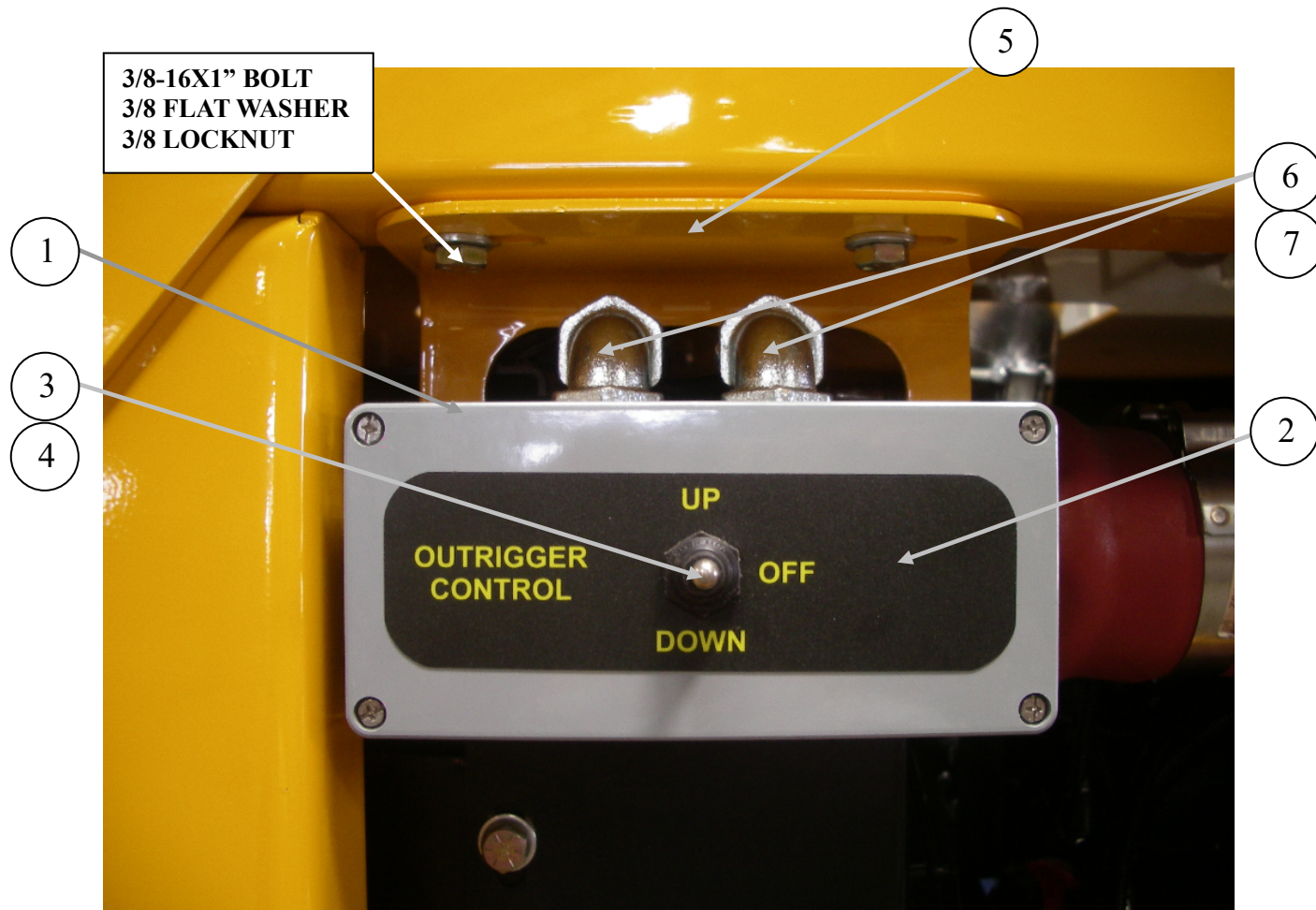
ELECTRIC HYDRAULIC OUTRIGGER



ID #	PART #	PART DESCRIPTION	QUANTITY	
	88041-O	HYD OUTRIGGER ASSEMBLY, REMOTE	REF	EA
1	85659-010	HOSE, 4M2T-6FX-6JX-33.00	2	EA
2	87540	CABLE SOLENIOD VALVE, WITH DIN PLUG	4	EA
3	88026	VALVE, 3SPOOL, 2EA. VDC SPOOL	1	EA
4	800083	FITTING, MINI CHECK (PORT)	1	EA
5	86750	ADAPTER, MB-FB-8-6	1	EA
6	86749	FITTING, MJ-FJX45-10-10	1	EA
7	86748	FITTING, 90° MB-MJ90-6-6	3	EA
8	86747	FITTING.90° MB-MJ90LL-6-6	3	EA
9	74471-B	BOOT, COVER	3	EA

OPTIONS

ELECTRIC HYDRAULIC OUTRIGGER CONTROLS

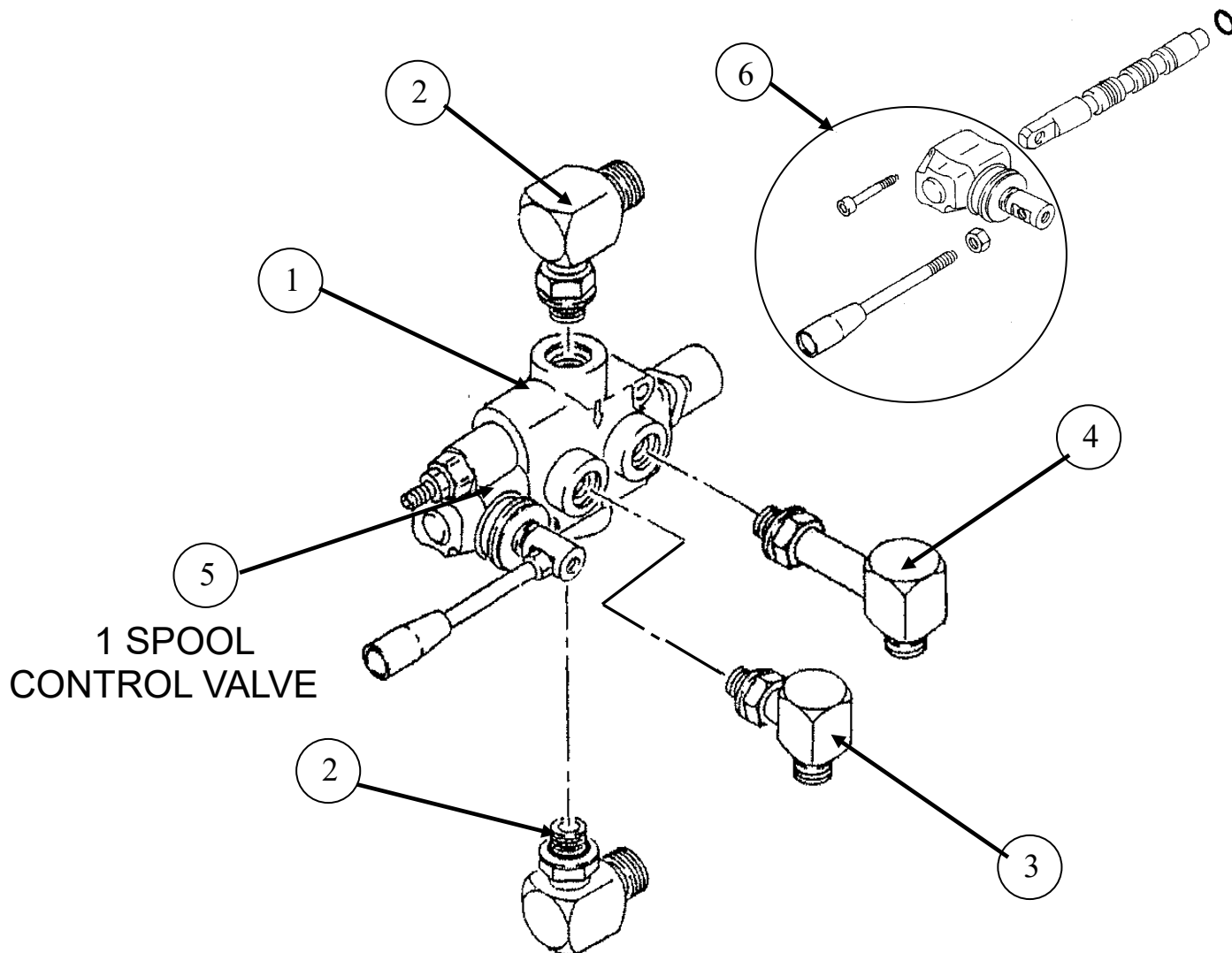


3/8-16X1" BOLT
3/8 FLAT WASHER
3/8 LOCKNUT

ID #	PART #	PART DESCRIPTION	QUANTITY	
1	801206	ENCLOSURE 6X3X3, FIBERGLASS	2	EA
2	88163	DECAL OUTRIGGER UP/DOWN	2	EA
3	BW10205	SWITCH, 3 POSITION MOM/SPDT	2	EA
4	BW10361	SW, SEALING BOOT	2	EA
5	88164-A	BRACKET OUTRIGGER	2	EA
6	73531	90° STRAIN RELIEF	4	EA
7	10528	NUT 1/2", BONDING TYPE LOCK	4	EA

OPTIONS

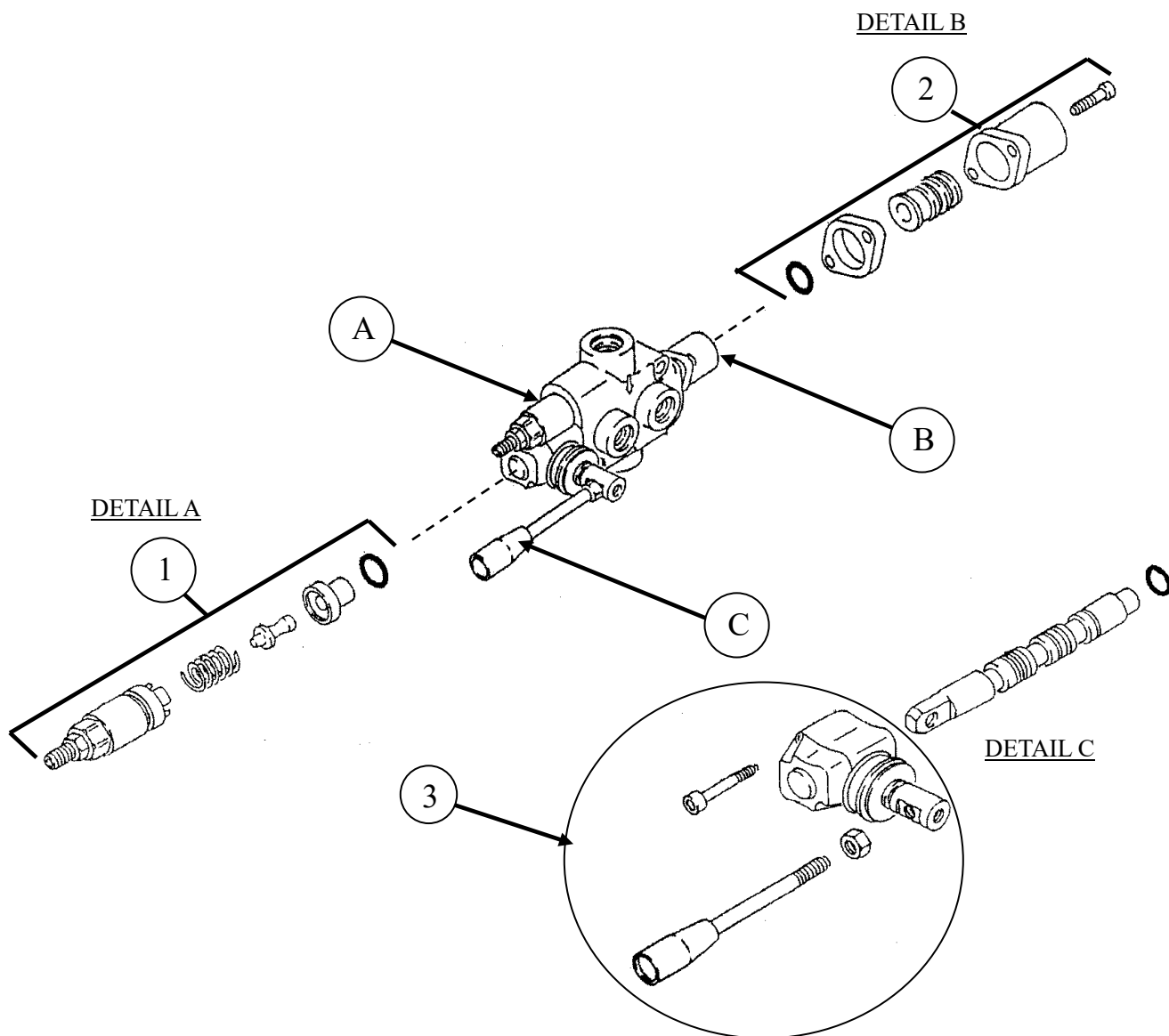
AGITATOR GROUP



ID #	PART #	PART DESCRIPTION	QUANTITY	
1	74584	VALVE, MAUNAL-1 SPOOL	1	EA
2	86746	FITTING, 90° MB-MJ-90-8-10	2	EA
3	86748	FITTING, 90° MB-MJ90-6-6	1	EA
4	86747	FITTING, 90° MB-MJ90LL-6-6	3	EA
5	74471-B	BOOT, COVER	1	EA
6	74471-020	VALVE ACTUATOR FOR 74471, 74585, 74584 VALVES	A/R	EA

OPTIONS

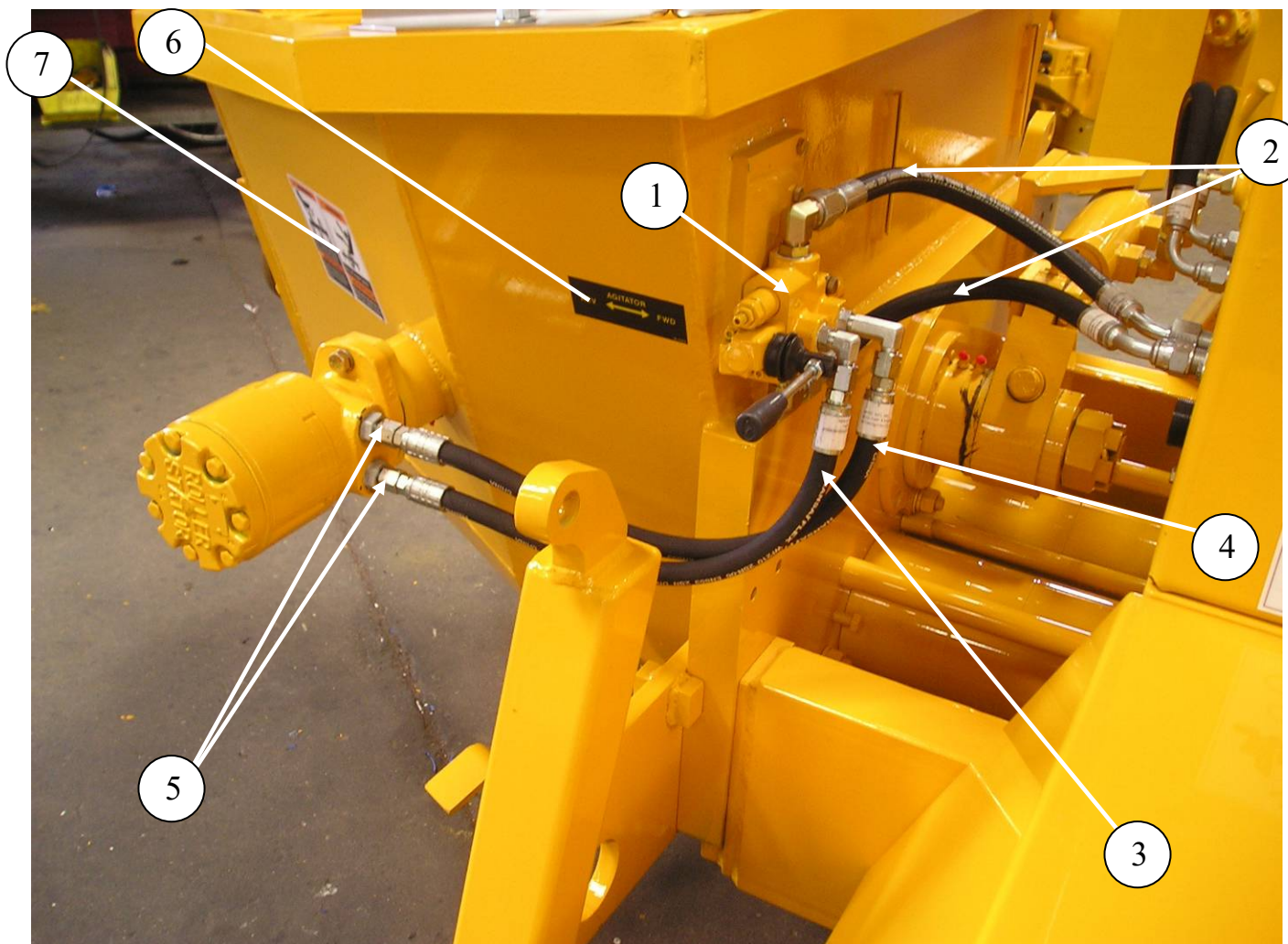
1 SPOOL AGITATOR VALVE



ID #	PART #	PART DESCRIPTION	QUANTITY	
1	85706	RELIEF, CARTRIDGE	1	EA
2	74469	DETENT KIT, #11 WALVOIL VALVE	A/R	EA
3	74471-020	VALVE ACTUATOR FOR 74471, 74585, 74584 VALVES	A/R	EA

OPTIONS

AGITATOR GROUP CONTINUED



ID #	PART #	PART DESCRIPTION	QUANTITY	
1	74584	VALVE, MANUAL-1 SPOOL	REF	EA
2	85657-016	HOSE, 8M2T-10FJX-10FJX45-20.00	2	EA
3	85658-011	HOSE, 6M2T-6FJX-6FJX-21.00	1	EA
4	85658-010	HOSE, 6M2T-6FJX-6FJX-20.00	1	EA
5		FITTING, MB-MJ-10-6	2	EA
6	85845	DECAL, OUTRIGGERS	1	EA
7	800919	DECAL, WARNING, STAND CLEAR	2	EA

AVAILABLE OPTIONS

OUTRIGGER GROUP
HYD OUTRIGGER
OUTRIGGER/AGITATOR
ELECTRIC OUTRIGGER



AGITATOR GROUP
STD/PADDLE
OPTION/PADDLE
HYD/AGITATOR/SINGLE
HYD/AGITATOR/TRIPLE



RADIO REMOTE

AARCOMM 2-WAY
RADIO W/STROKE
COUNTER AND
VOLUME INDICATOR
(IF EQUIPPED)

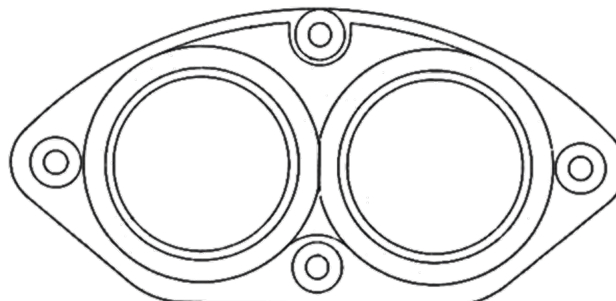
50' CABLE REMOTE,
100' CABLE REMOTE
AVAILABLE



LIFTING KIT

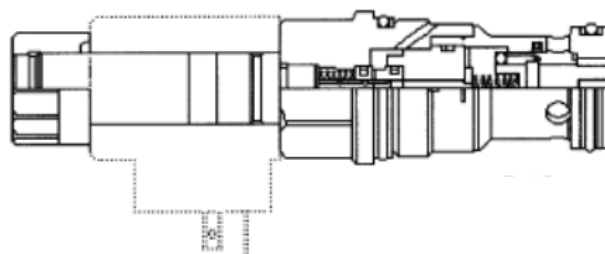


CARBIDE WEAR PARTS
WEAR RING/CARBIDE
WEAR PLATE/CARBIDE

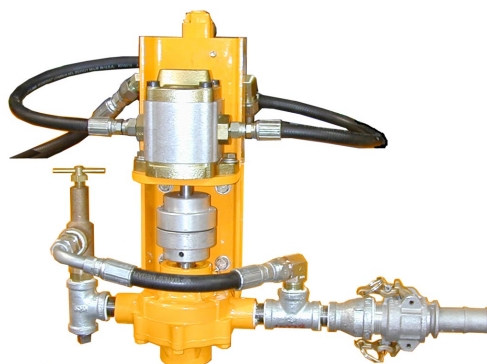


ELECTRIC VOLUME/FLOW CONTROL

RADIO CONTROL OF
VOLUME
(IF EQUIPPED)



WATER PUMP-WASH PUMP ASSY



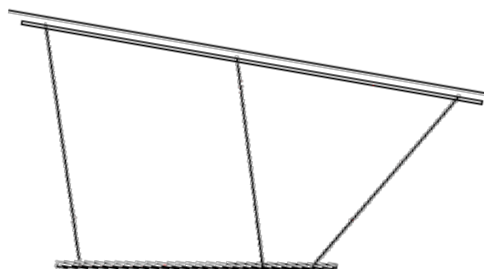
VIBRATOR KIT
OLI KIT



E-STOP PLC KIT



HOPPER EXTENSION



AUTO LUBE
STEEL TUBING 12 PORT
PLASTIC TUBING 12 PORT



MANUAL LUBE BLOCK

TIRE & WHEEL ALUMINUM 9000 LB



SURGE BRAKE ASSY 9000LB
2" BALL



3" PINTLE



HITCH BALL
2"
2 5/16"



REINFORCED HOPPER

