



B50HPG

PARTS

13822 Oaks Avenue
Chino, CA 91710
reedpumps.com
(909) 287 - 2100

PARTS.....	3
PUMPING TRAIN ASSEMBLY	3
S-TUBE	5
5" OUTLET ASSEMBLY	5
5" OUTLET SEAL KIT INSTALLATION	5
WEAR PLATE ASSEMBLY	7
6" PISTON CUP ASSEMBLY	8
DRIVE CYLINDER ASSEMBLY	9
DUAL SHIFT BELL CRANK ASSEMBLY	10
DUAL SHIFT CYLINDER ASSEMBLY	10
DUAL SHIFT ASSEMBLY	12
HOPPER	13
AGITATOR ASSEMBLY	13
SAFETY GRATE	15
GRATE ASSEMBLY	16
CLEAN OUT-DOOR ASSEMBLY	17
POWER TRAIN GROUP	18
ENGINE	18
MAIN HYDRAULIC PUMP	19
FITTINGS	20
EXHAUST	21
FUEL TANK ASSEMBLY	22
HYDRAULIC GROUP	24
HYDRAULIC TANK ASSEMBLY	25
MANIFOLDS	26
DRIVE CYLINDER CIRCUIT MANIFOLD ASSEMBLY	27
S-TUBE CIRCUIT MANIFOLD ASSEMBLY	29
ACCUMULATOR ASSEMBLY	31
ELECTRICAL GROUP	32
PROXIMITY SENSOR	32
BATTERY ASSEMBLY	33
TRAILER HARNESS AND BREAKAWAY	34
TAIL LIGHTS	35
MAIN WIRING HARNESS	36
CONTROL PANEL	37
FRAME INSTALLATION	47
FRAME, TIRES, JACK, AND TOW EYE	47
9000LB AXLE MOUNTING ASSEMBLY FRONT	48
HOOD AND COVERS	50
FENDERS AND OUTRIGGERS	51
OPTIONS	52
HYDRAULIC OUTRIGGER GROUP	52



B50HPG PARTS

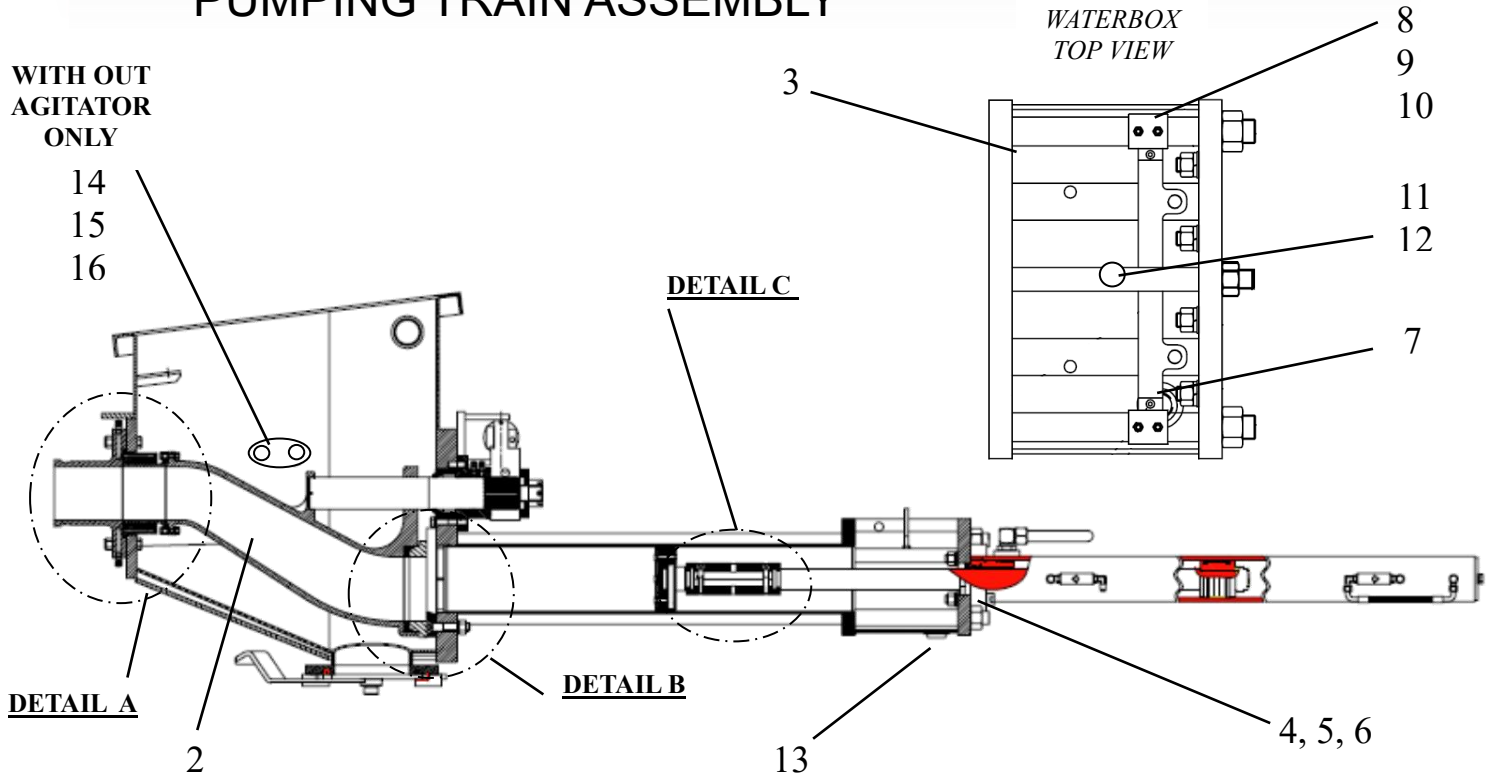
13822 Oaks Avenue
Chino, CA 91710
reedpumps.com
(909) 287 - 2100

3 SPOOL CONTROL VALVE	53
HYDRAULIC OUTRIGGER GROUP	54
ELECTRIC HYDRAULIC OUTRIGGER CONTROLS	56
AGITATOR GROUP	57
1 SPOOL AGITATOR VALVE	58
AVAILABLE OPTIONS	60

REV	DATE	DESCRIPTION	NAME
1.0	11/19/2020	INITIAL *	J.SLACK
1.4	5/13/2022	ADDED GUARD, ENGINE 90508	J.SLACK
1.5	2/2/2023	Fixed page 21	J.SLACK
1.6	6/12/2023	UPDATED 87154 PART #	J.SLACK
1.7	8/09/2023	UPDATE P/T# 89974 TO 77191	J.SLACK
1.8	5/09/2024	ADDED P/N FOR SPARE KEY	J.SLACK

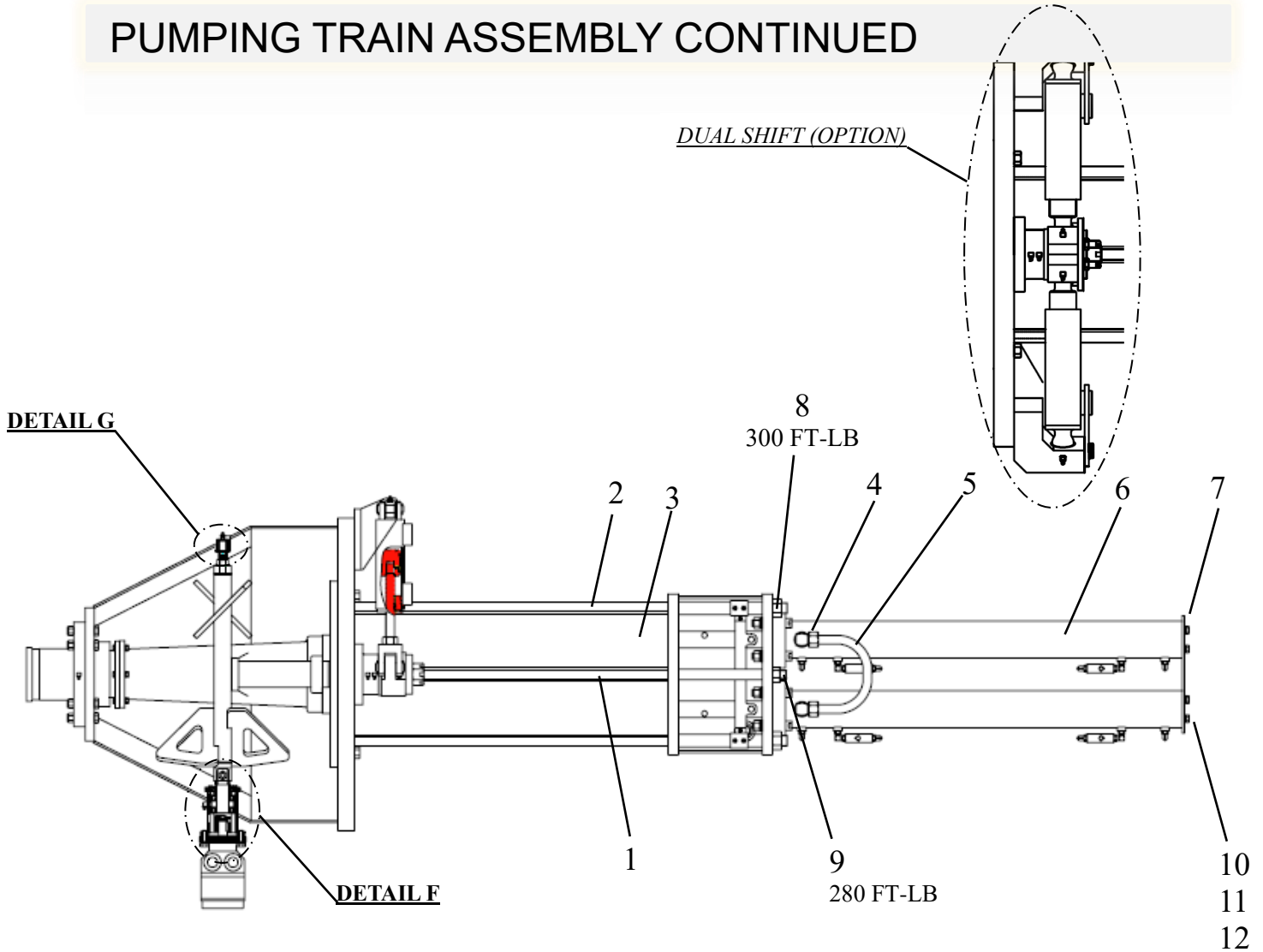
PARTS

PUMPING TRAIN ASSEMBLY



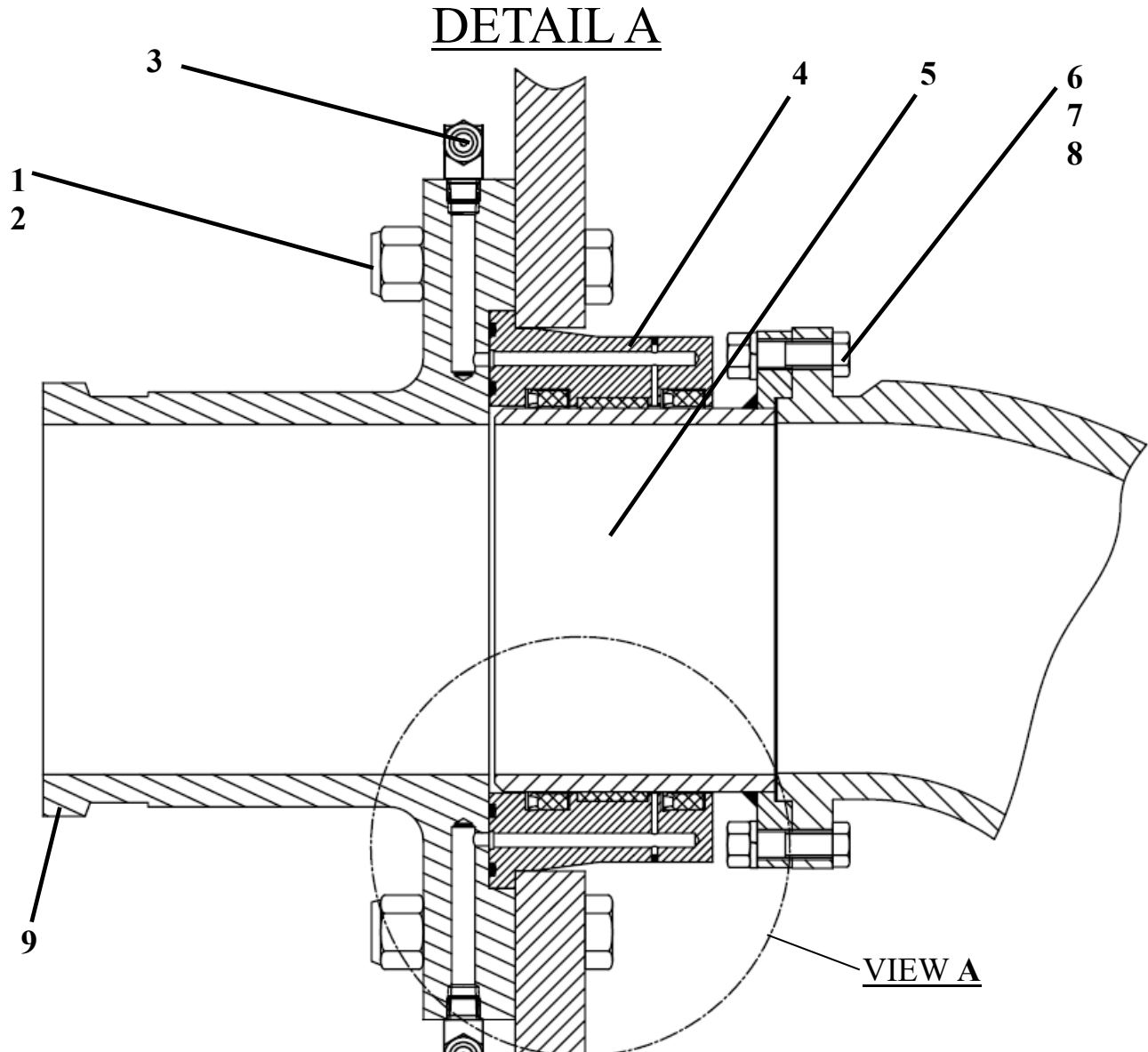
ID #	PART #	PART DESCRIPTION	QUANTITY	
	88012-2-10	DUAL SHIFT PUMPING TRAIN, HYDRA	REF	
	88001-10	HOPPER WELDMENT, 6" DUAL, 10" DOOR	REF	
2	86984	S TUBE WLD, 6X5 SELL	1	EA
3	86093	FLUSH BOX WELDMENT, 6 IN	1	EA
4		SHCS 3/4 - 10X5" GR 8	8	EA
5		HEX NUT, 3/4 - 10	12	EA
6		LOCK WASHER 3/4"	13	EA
7	86006	BRACKET, PROX SWITCH	1	EA
8	86752	HHCS, 1/4 -20X3/4" GR 8	6	EA
9		LOCK WASHER, 1/4"	2	EA
10		FLAT WASHER, 1/4"	2	EA
11	86665	STUD, 3/8-16X3" LONG	1	EA
12	80072	LOCKWASHER-3/8"	1	EA
13	10282	PLUGS-PIPE GALV 1"	1	EA
14	73434	COVER PLATE-REMIX (INSIDE)	1	EA
15	73433	COVER PLATE-REMIX (OUTSIDE)	1	EA
16	86623	SEAL, AGITATOR (INSIDE)	1	EA

PUMPING TRAIN ASSEMBLY CONTINUED



ID #	PART #	PART DESCRIPTION	QUANTITY	
1	86047	TIE ROD, 1" X 51½"	2	EA
2	86046	TIE ROD, 1¼" X 51½"	4	EA
3	86148	CONCRETE CYLINDER, 6 X 36	2	EA
4		ELBOW, MB – MJ-16-16	2	EA
5	85427	TUBE, HYD, LOOP LINE	1	EA
6	86304-2	DRIVE CYLINDER -3.50 X 2.00 X 36.00	2	EA
7	87554	END PLATE - DRIVE CYLINDER- PAINTED	1	EA
8		HEX, NUT 1 ¼" -12	4	EA
9		HEX NUT, 1" -12	2	EA
10		HHCS, 1/2 -13X1 ¼" GR 8	4	EA
11		WASHER, 1/2	4	EA
12		LOCK WASHER, ½"	6	EA

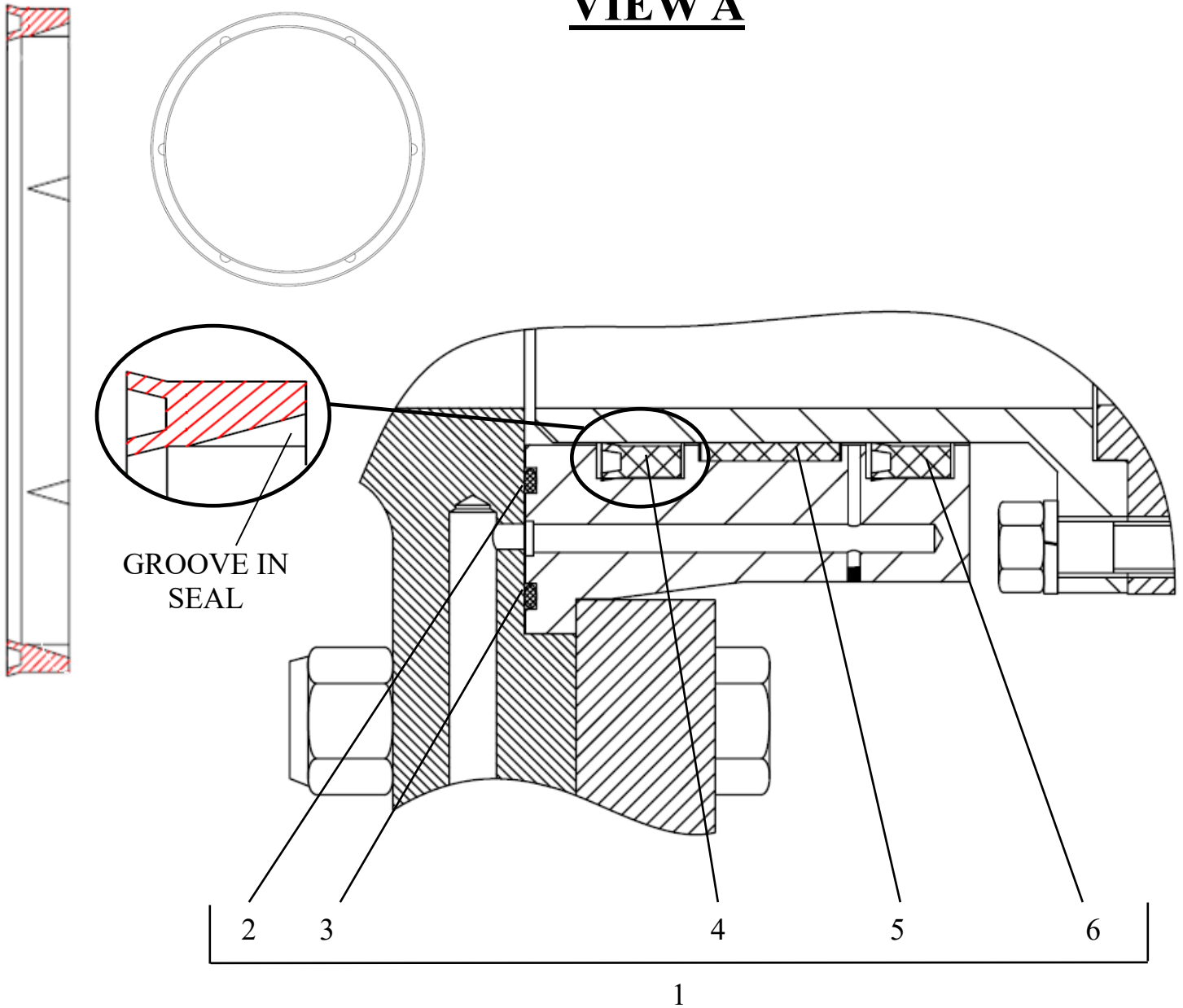
S-TUBE 5" OUTLET ASSEMBLY



ID #	PART #	PART DESCRIPTION	QUANTITY	
	86321	OUTLET ASSEMBLY	1	EA
1		HHCS, 5/8 - 18X3" 1/4" GR 8	6	EA
2		LOCK NUT, 5/8 - 18	6	EA
3		GREASE FITTING, 1/8" NPT 90°	2	EA
4	72309	OUTLET SEAL HOUSING	1	EA
5	70042	CHROMED OUTLET	1	EA
6		HHCS, 3/8 - 16X1 1/2" GR 8	6	EA
7		HEX NUT, 3/8" - 16	6	EA
8		LOCK WASHER, 3/8"	6	EA
9	72482	OUTLET, 5" (1-PIECE)	1	EA

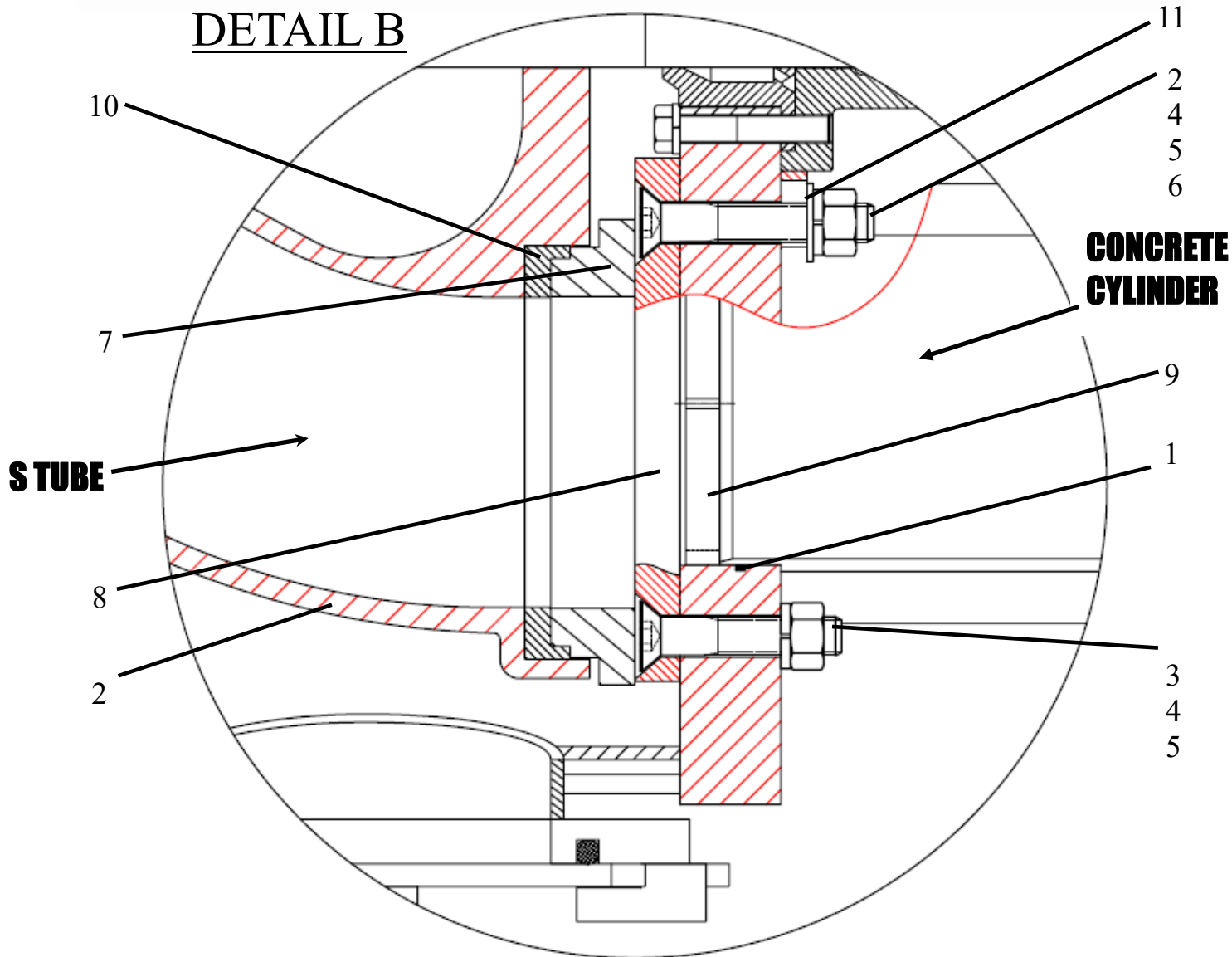
5" OUTLET SEAL KIT INSTALLATION

VIEW A



ID #	PART #	PART DESCRIPTION	QUANTITY	
1	79895	SEAL KIT	1	EA
2	77762	O-RING-#257 BUNA 90	1	EA
3	77761	O-RING-#264 BUNA 90	1	EA
4	86504	SEAL-MODIFIED- 5 IN OUTLET	1	EA
5	77763	GUIDE BAND - 5.75 OD X 1.00W	1	EA
6	77765	LIP SEAL-5.50 ID X 6.00 OD X .56 D	1	EA

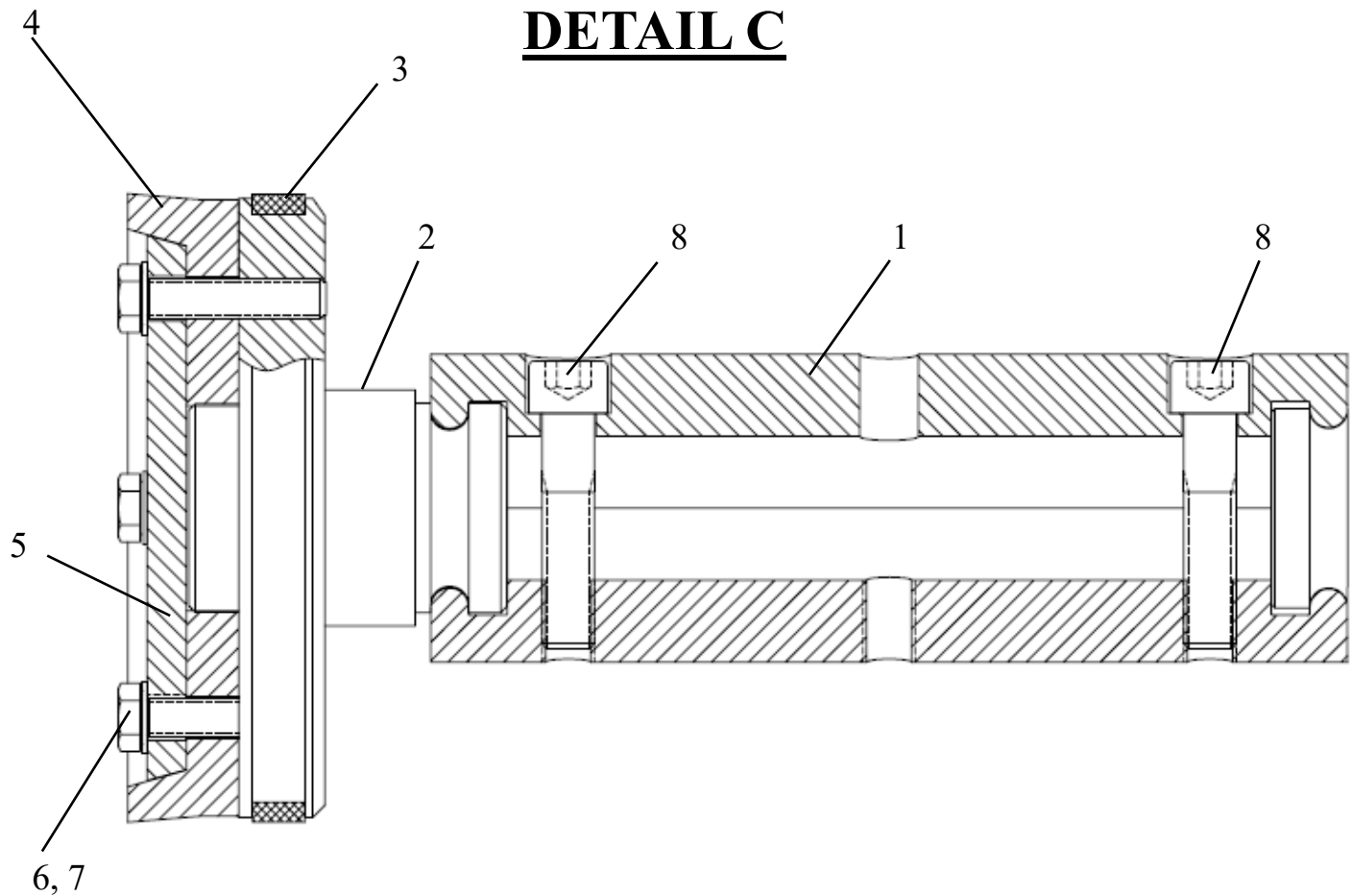
WEAR PLATE ASSEMBLY



ID #	PART #	PART DESCRIPTION	QUANTITY	
1	86149	O-RING, #259 BUENA 70	2	EA
2		FHCS, 3/4 - 10X 4 1/2" GR 8	1	EA
3		FHCS, 3/4 - 10X 3 1/2" GR 8	3	EA
4		HEX NUT, 3/4" - 10	4	EA
5		LOCK WASHER, 3/4"	4	EA
6		FLATWASHER, 3/4"	4	EA
7	72310	WEAR RING, 6"	1	EA
8	86031	WEAR PLATE, 6"	1	EA
9	86086	CHIP RING, 6"	2	EA
10	86085	SEAL, SINGLE LIP, 6"	1	EA
11	86502	LOCATOR RING - FLANGE BEARING	1	EA

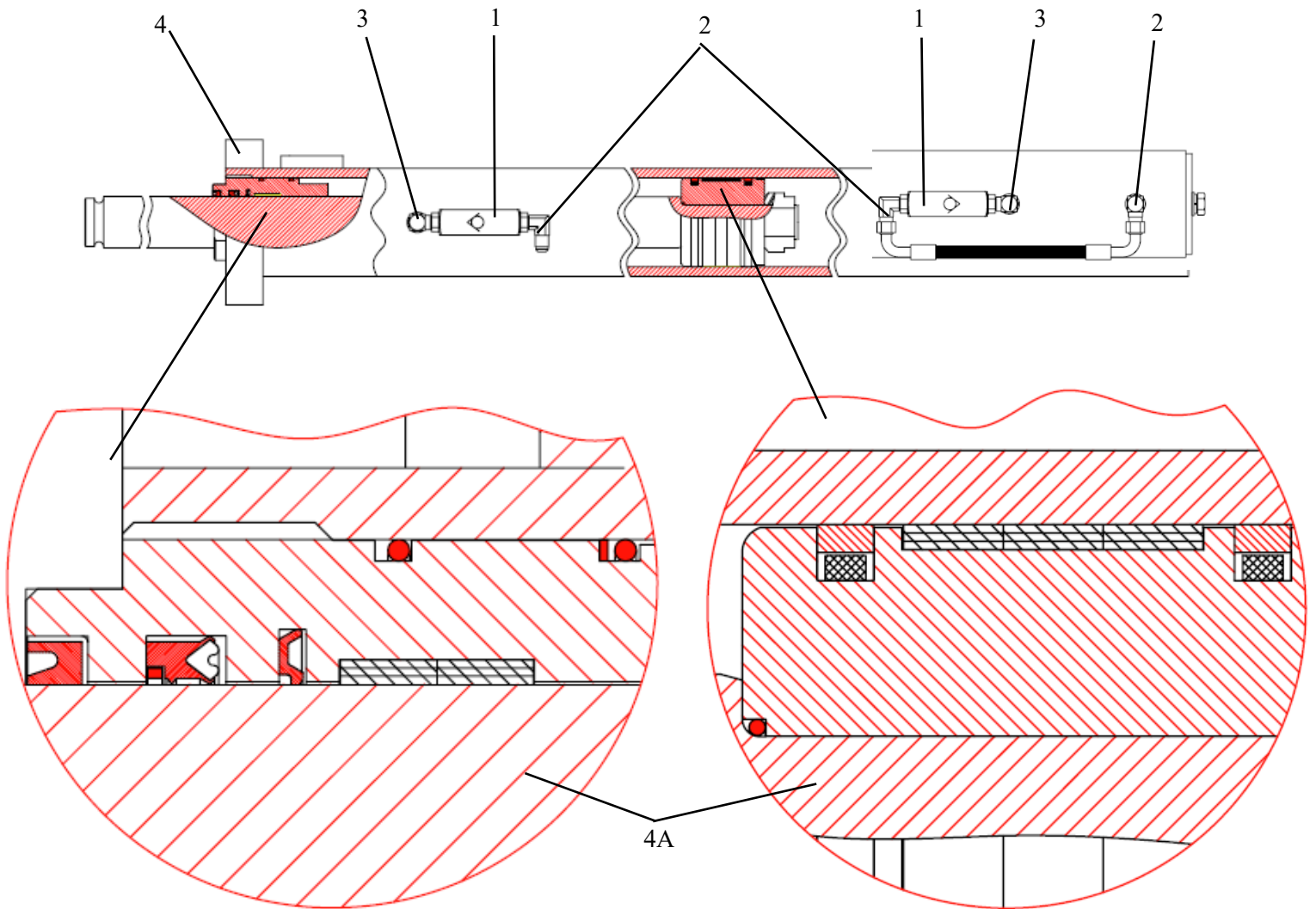
6" PISTON CUP ASSEMBLY

DETAIL C



ID #	PART #	PART DESCRIPTION	QUANTITY	
1	86101	PISTON COUPLING, 8.06 LONG	2	EA
2	77194	PISTON-CONC. ADAPTER 6"	2	EA
3	77120	WEAR RING(GUIDE BAND) 6"	2	EA
4	70048	PISTON CUP, 6 IN	2	EA
5	70057	PISTON PLATE 6 INCH	2	EA
6		HHCS, 3/8 - 16X1" GR 8	4	EA
7		LOCK WASHER 3/8	4	EA
8		SHCS 1/2 - 13 X 2 1/4"	2	EA

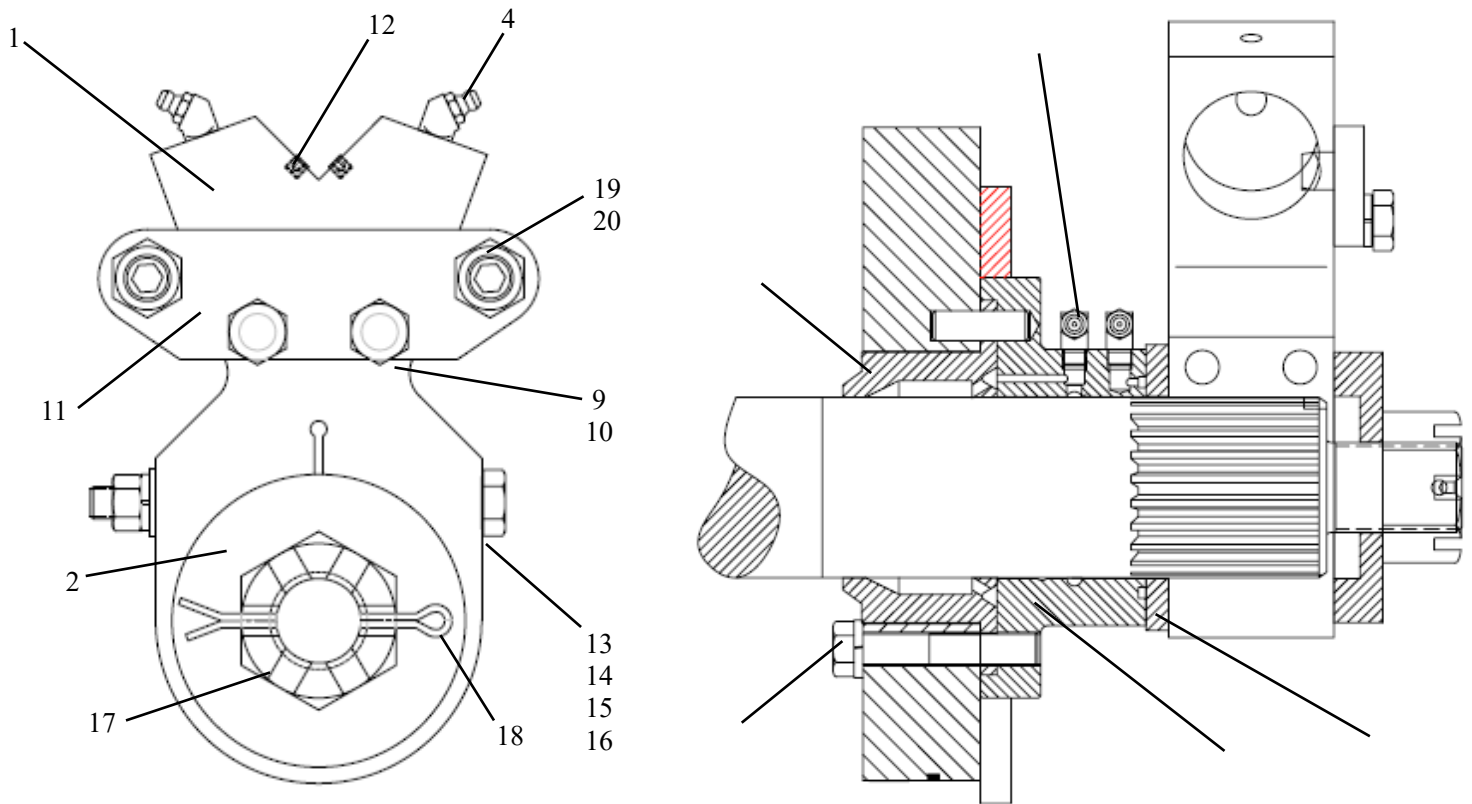
DRIVE CYLINDER ASSEMBLY



ID #	PART #	PART DESCRIPTION	QUANTITY	
	86304-2	HYD CYLINDER GROUP	REF	
1	78961	CHECK VALVE-5K PSI O-RING	4	EA
2	86748	FITTING-MB-MJ90-6-6	3	EA
3		ELBOW, MB-MB90-6-6	2	EA
4	86223HT	HYDRAULIC CYLINDER 3.50 X 2.00 X 35.75	1	EA
4A	86223A-SK	SEAL KIT	1	EA

DUAL SHIFT BELL CRANK ASSEMBLY

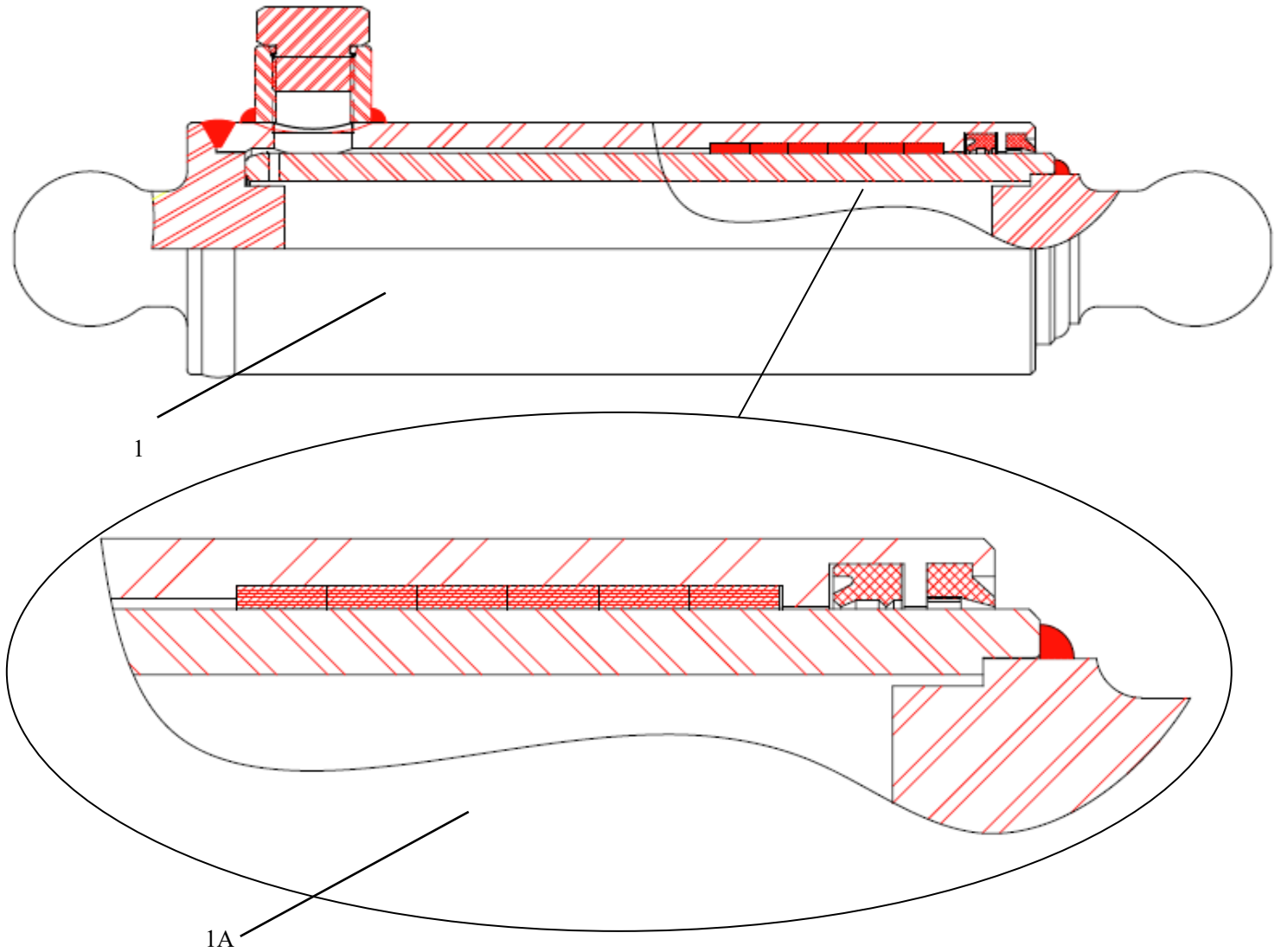
DETAIL E



ID #	PART #	PART DESCRIPTION	QUANTITY	
	86320-3	S-TUBE SHIFT GROUP, DUAL		
1	85956	BELL CRANK, 3" SPLINE, DUAL	1	EA
2	86985	SPACER, S-TUBE NUT	1	EA
3	85962	SEAL, FLANGE BEARING	1	EA
4		GREASE FITTING, 1/8" NPT	4	EA
5	85133	FLANGED BEARING	1	EA
6		HHCS, 9/16 - 12X3" GR 8	4	EA
7		LOCK WASHER, 9/16"	4	EA
8	85294	THRUST WASHER, S -TUBE	1	EA
9		HHCS, 1/2-13X1 1/4" GR 8	2	EA
10		LOCKWASHER, 1/2"	2	EA
11	86282	RETAINER - SHIFT CYLINDER	1	EA
12		PIPE PLUG 1/4" NPT	2	EA
13		HHCS, 1/2-13X6 1/4" GR 8	2	EA
14		FLAT WASHER 1/2"	4	EA
15		LOCK WASHER 1/2"	2	EA
16		HEX NUT, 1/2"-13	2	EA
17	70825	NUT 1 1/2-12 CASTLE GRADE 5	1	EA
18		COTTER PIN, 1/4X4"	1	EA
19	86283	SET SCREW-5/8-11X2.00" CUP POINT	2	EA
20	80005	NUT HEX-5/8-11 UNC USS RH THREAD	2	EA

DUAL SHIFT CYLINDER ASSEMBLY

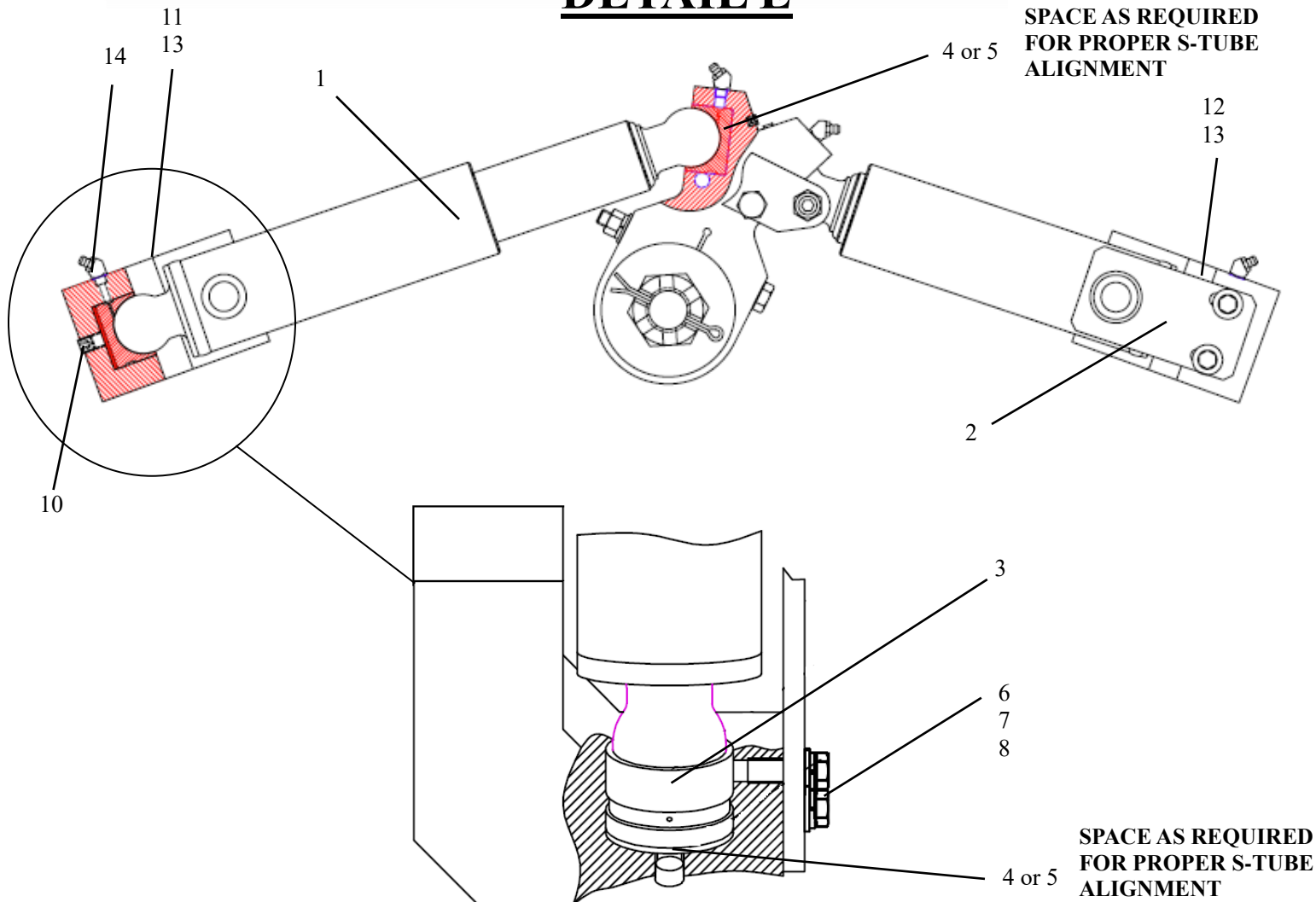
DETAIL E



ID #	PART #	PART DESCRIPTION	QUANTITY	
1	86220HT	SWING RAM-DUAL-2.50 X 5.75 STROKE	2	EA
1A	86220A-SK	SEAL KIT	2	EA

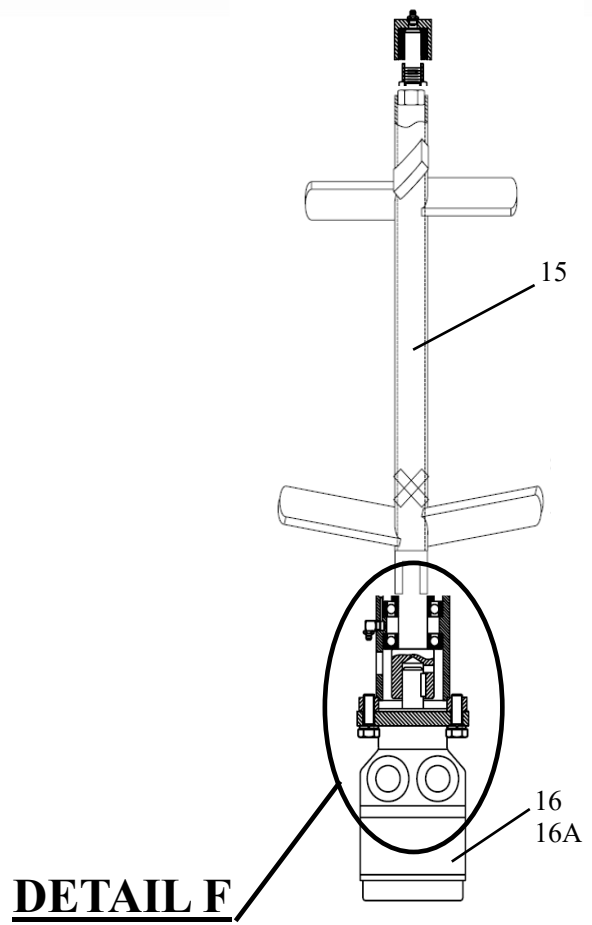
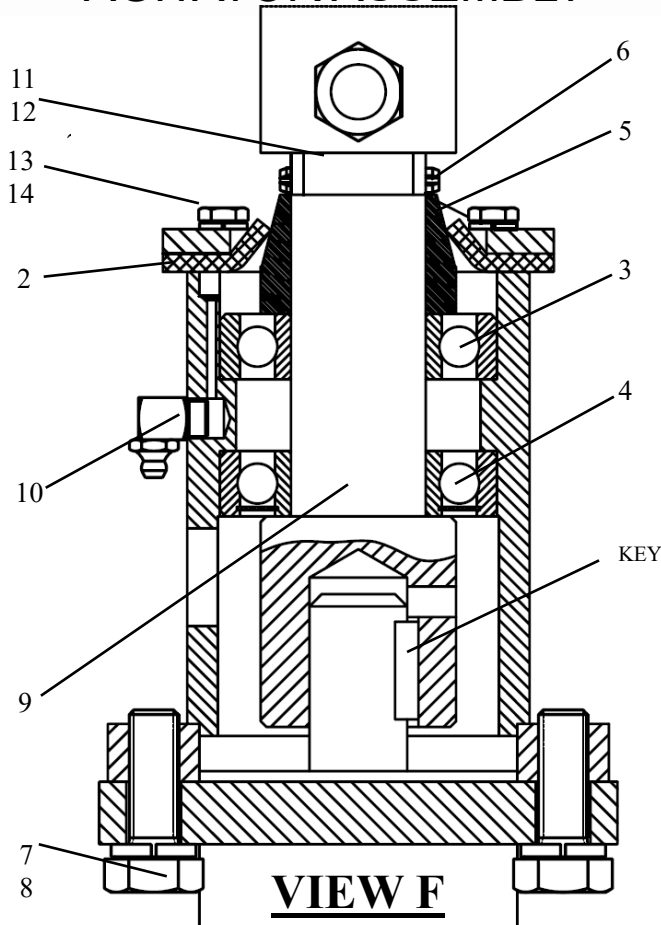
DUAL SHIFT ASSEMBLY

DETAIL E



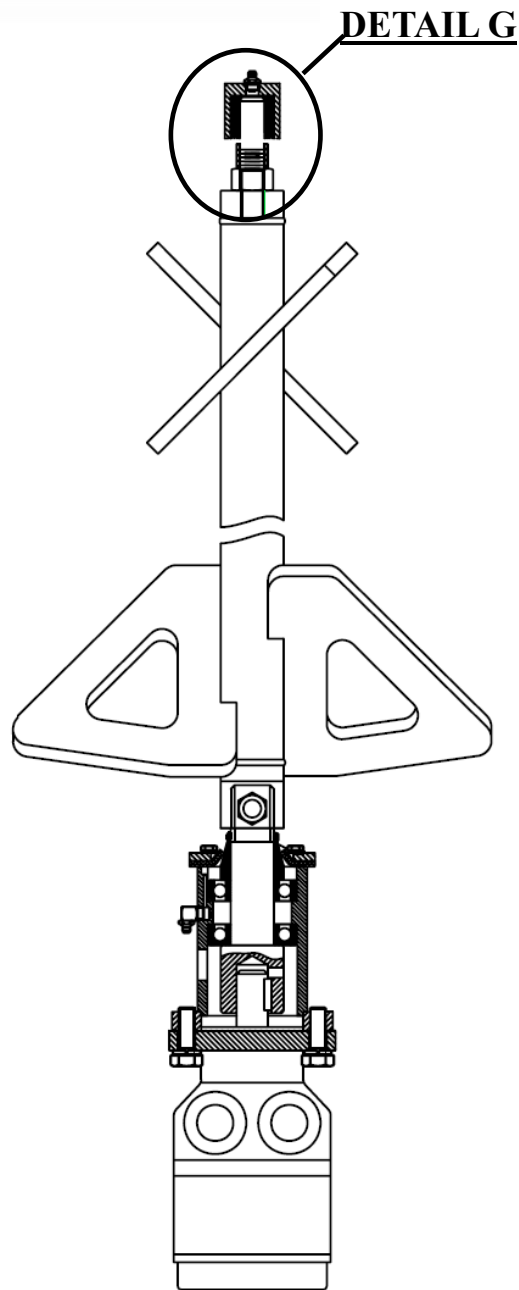
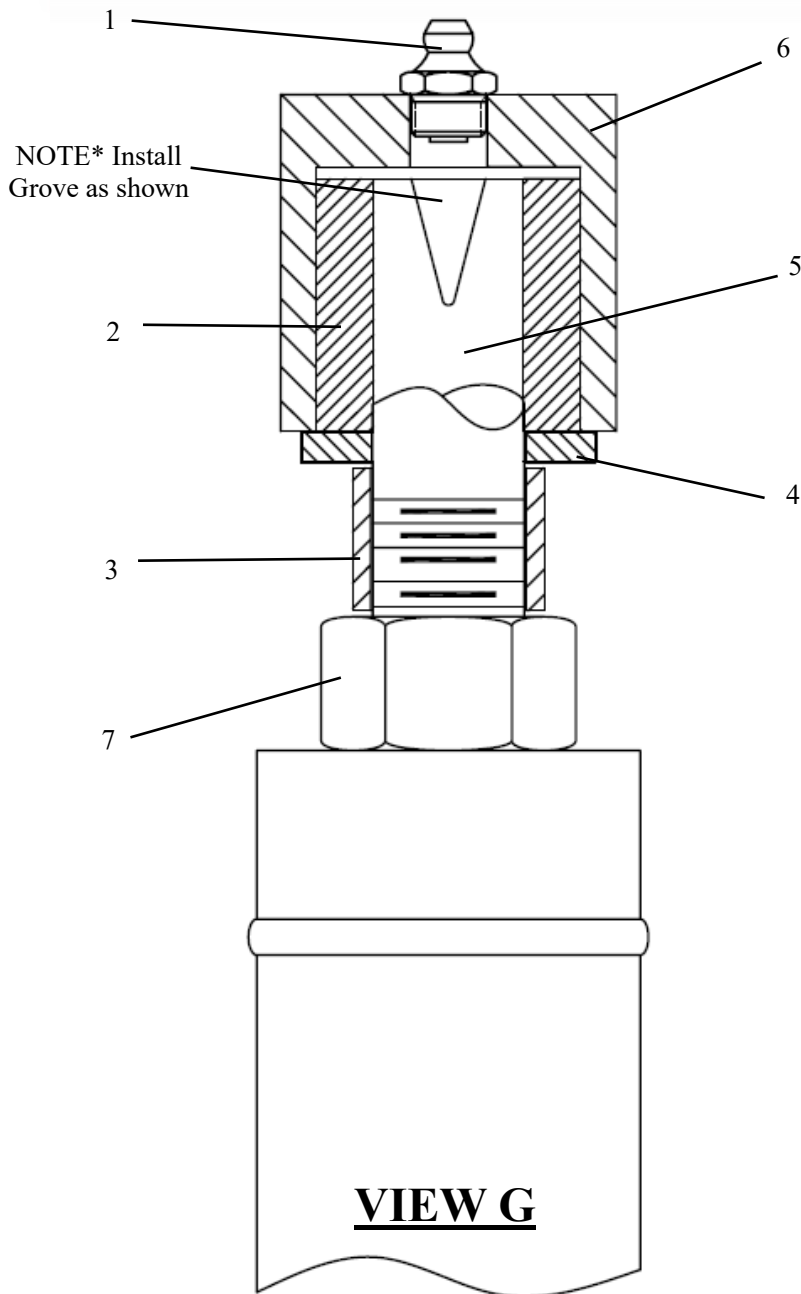
ID #	PART #	PART DESCRIPTION	QUANTITY	
1	86220HT	SWING RAM – 2.5 X 5.75 STROKE	REF	
2	86441	RETAINER, SWING RAM	2	EA
3	76798-1	BALL SOCKET, NYLON	4	EA
4	75501	SPACER 1/8"	A/R	EA
5	75502	SPACER 1/16"	A/R	EA
6		HHCS, 3/8-24X1 1/4" GR8	4	EA
7		WASHER, 3/8"	4	EA
8		LOCK WASHER, 3/8"	4	EA
10	86283	SETSCREW – 5/8 -11X2.00 CUP	2	EA
11	85941	HOUSING, RH SWING RAM	1	EA
12	85942	HOUSING, LH SWING RAM	1	EA
13	86052	DOWEL PIN, 1/2" DIA X 2"	4	EA
14		GREASE FITTING, 1/8" NPT	2	EA

HOPPER AGITATOR ASSEMBLY



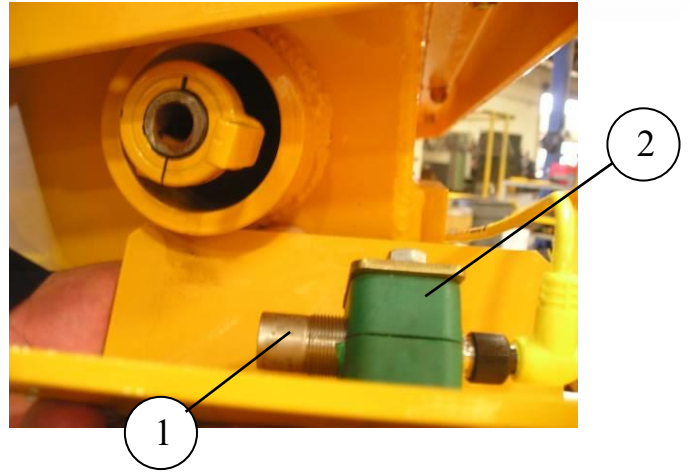
ID #	PART #	PART DESCRIPTION	QUANTITY	
	86322	AGITATOR ASSEMBLY	1	EA
1	70211	FLANGE SEAL S/W	1	EA
2	70212	SEAL REMIXER	1	EA
3	85978	BEARING, BALL, PLAIN	1	EA
4	85979	BEARING, BALL 1 SEAL	1	EA
5	85976	WEAR RING, AGITATION	1	EA
6		SPRING PIN, 1/4" DIA X 1 3/4"	1	EA
7		HHCS, 1/2 -20X1 1/2" GR 8	2	EA
8		LOCK WASHER, 1/2"	2	EA
9	85923	SHAFT, AGITATOR	1	EA
10		GREASE FITTING, 1/8" NPT 90°	1	EA
11		HHCS, 1/2 -13X2 1/4" GR 8	1	EA
12		LOCK NUT, 1/2" -13	1	EA
13		1/4-28X3/4"	6	EA
14		LOCK WASHER, 1/4"	6	EA
15	86330	AGITATOR, STD HOPPER, PAINTED	1	EA
16	85811	HYD MOTOR, 45.6 CID, 1" SHAFT	1	EA
16A	85809SK	SEAL KIT	1	EA

AGITATOR ASSEMBLY CONTINUED



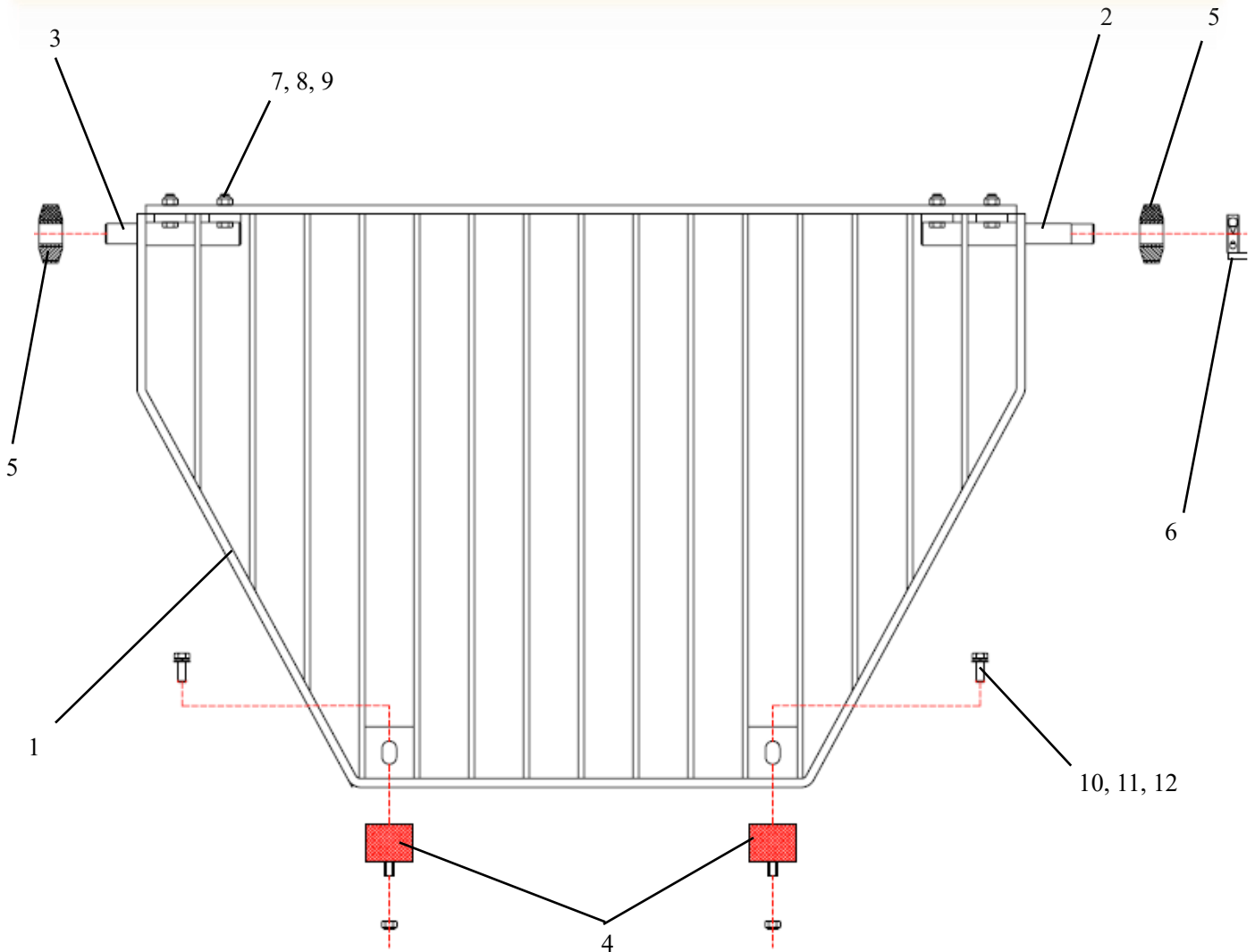
ID #	PART #	PART DESCRIPTION	QUANTITY	
1		GREASE FITTING, 1/8" NPT STRAIT	1	EA
2	70219	REMIX SHAFT BUSHING	1	EA
3	77877	SPACER, REMIX	1	EA
4	86824	FLAT WASHER, 3/4" SAE	1	EA
5	70214	IDLER SHAFT, AGITATOR	1	EA
6	70210	IDLER BEARING HOUSING	1	EA
7	80030	HEX NUT-M20X2.5 PLATED	1	EA

SAFETY GRATE



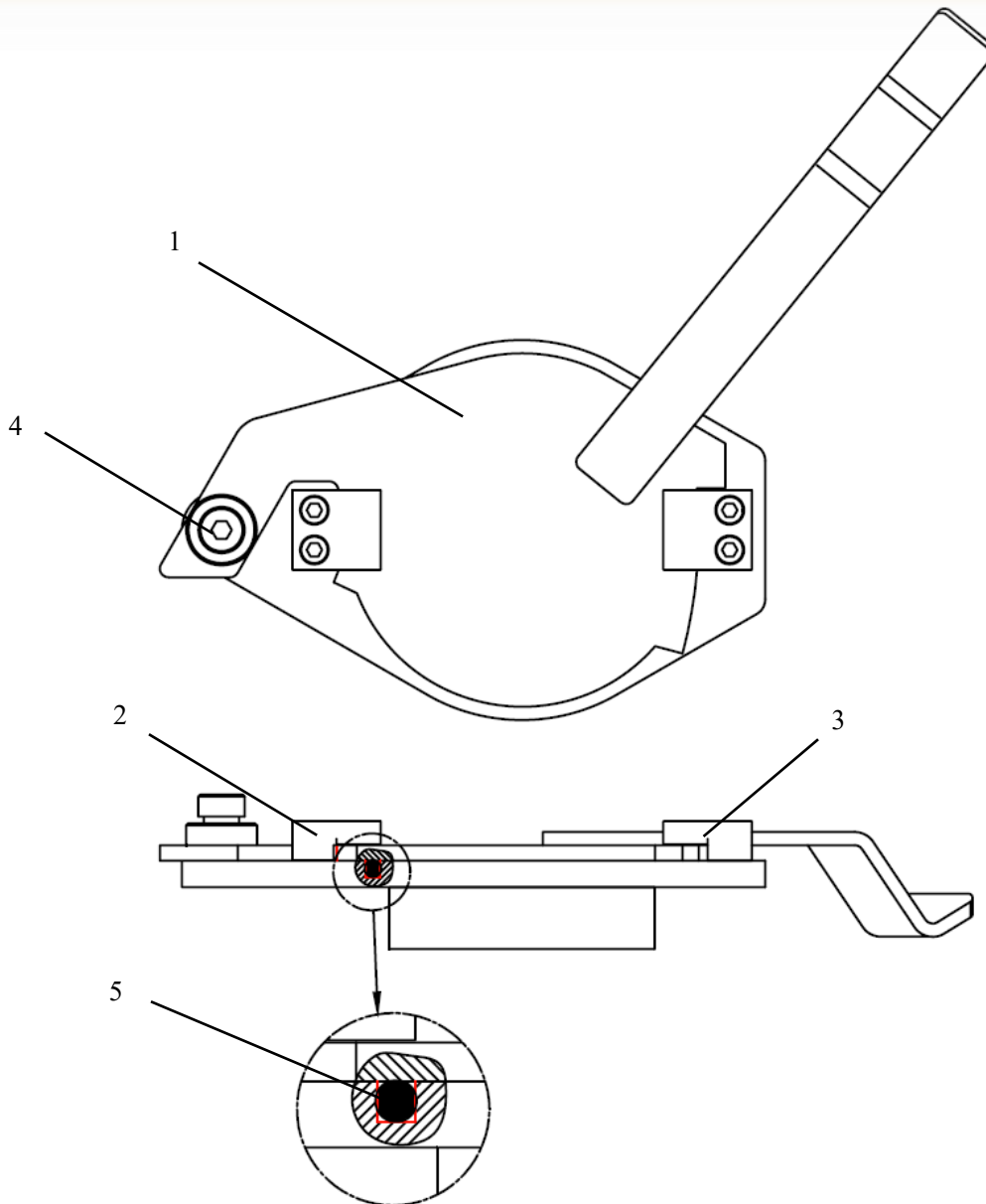
ID #	PART #	PART DESCRIPTION	QUANTITY	
1	87369	PROXIMITY SENSOR PNP HOPPER GRATE	1	EA
2	801902-006	CLAMP,18MM TUBE CLAMP SET	1	EA
3	87997	COVER WELD PROX SWITCH HOPPER	1	EA

GRATE ASSEMBLY

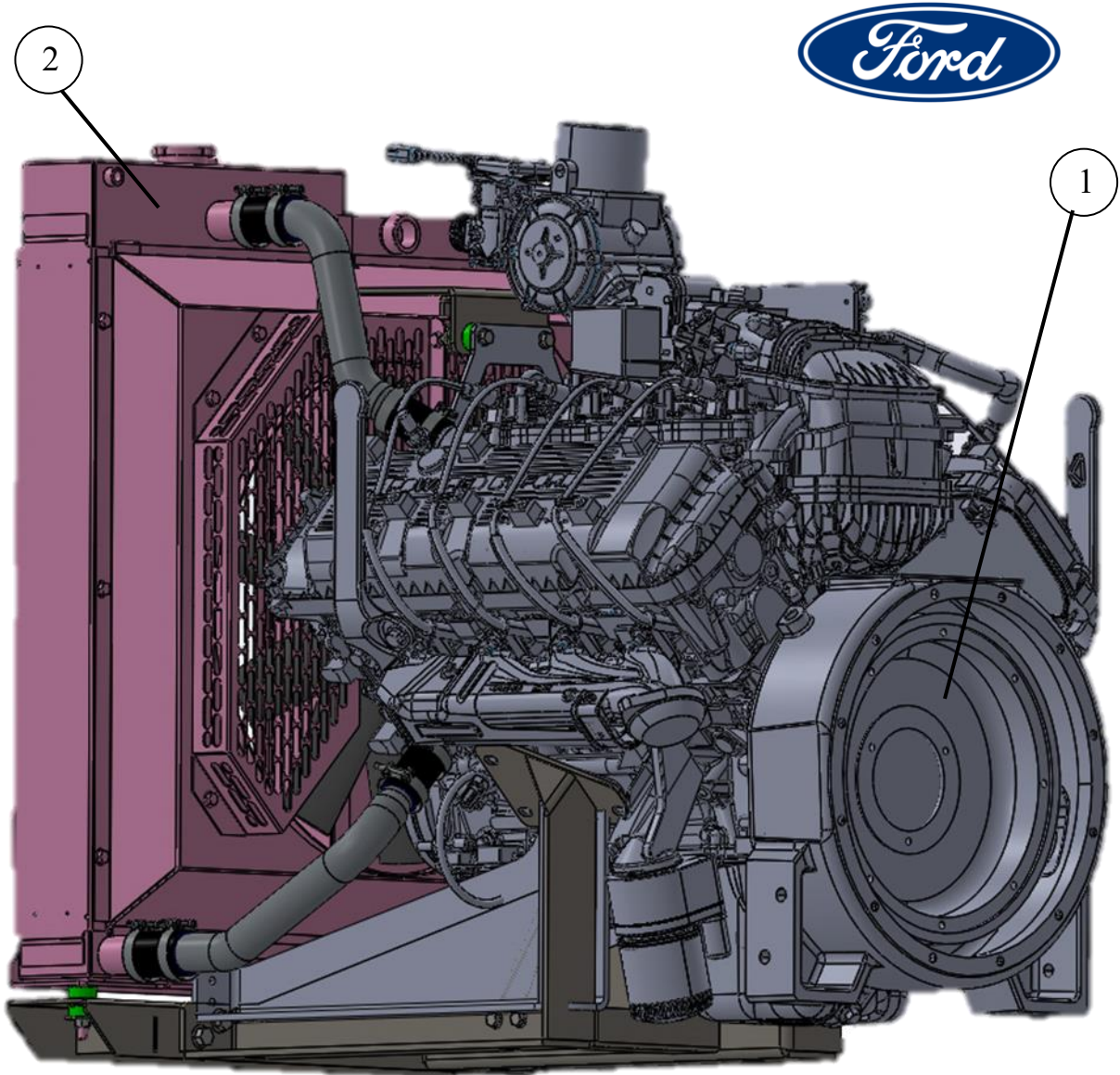


ID #	PART #	PART DESCRIPTION	QUANTITY	
1	87835	GRATE WELDMENT, STD HOPPER	1	EA
2	87857	PIN WELDMENT LONG	1	EA
3	87858	PIN WELDMENT SHORT	1	EA
4	86083	BUMPER, HOPPER GRATE	2	EA
5	W114850	RUBBER BUFFER	2	EA
6	87769	COLLAR SHAFT, 7/8" DIA	1	EA
7		3/8"-16 X 1 1/4" HEX BOLT	4	EA
8		3/8 FLAT WASHER	8	EA
9		3/8-16 LOCK NUT	4	EA
10		3/8"-16 X 1" HEX BOLT	2	EA
11		3/8" FLAT WASHER	2	EA
12		3/8" LOCK WASHER	2	EA

CLEAN OUT-DOOR ASSEMBLY



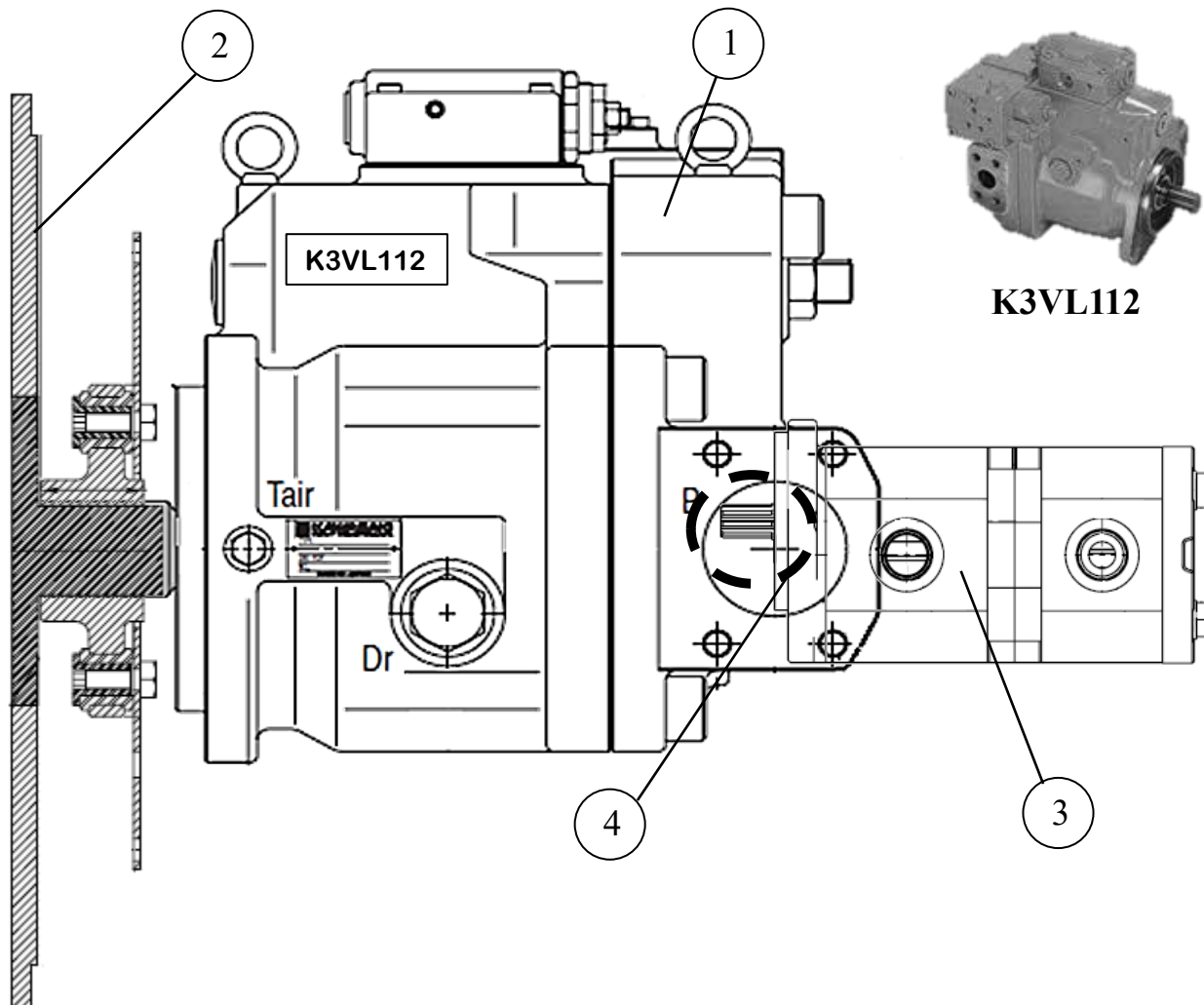
ID #	PART #	PART DESCRIPTION	QUANTITY	
1	86988-10	DOOR WELDMENT, CLEAN OUT	1	EA
2	86559	BLOCK, CLEAN OUT DOOR, LH	1	EA
3	86560	BLOCK, CLEAN OUT DOOR, RH	1	EA
4	86922	SHOULDER SCREW 1" DIA-1 1/4"	1	EA
5	W-102908A	O-RING CORD, HOPPER DOOR	2.21	FT

POWER TRAIN GROUP
ENGINE

ID #	PART #	PART DESCRIPTION	QUANTITY
	89838	POWER TRAIN ASSY	
1	89832	ENGINE, FORD RSD862	1
2	89930	COOLING PACKAGE, FORD	1

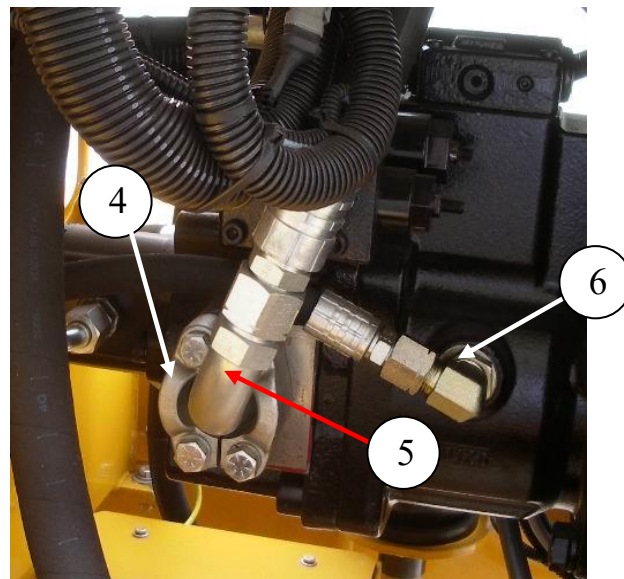
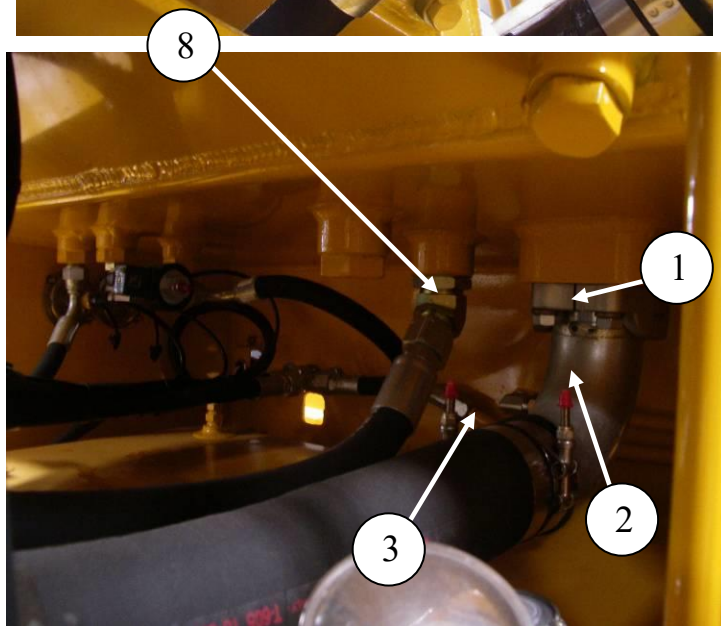
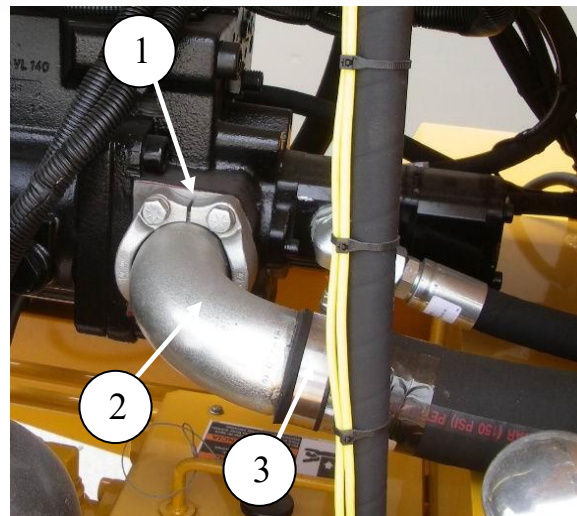
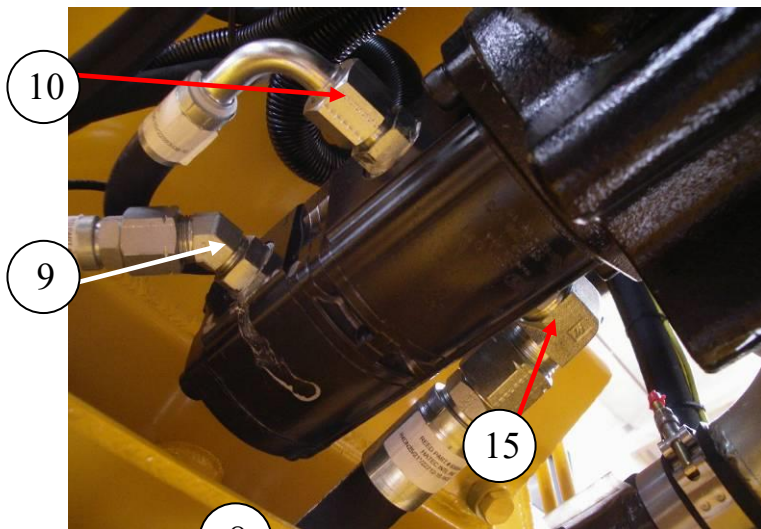
MAIN HYDRAULIC PUMP GEAR PUMP/PUMP DRIVE

Kawasaki
Hydraulics



ID #	PART #	PART DESCRIPTION	QUANTITY	
1	88124-004	PUMP, K3VL112, KAWASAKI, 75HP	1	EA
2	89776	PUMP DRIVE -SAE 3 - SAE 11.5 FLYW	1	EA
3	87571-1	GEAR PUMP, 23/11.3 CC RH, A-PAD SPL	1	EA
4	88174	O-RING	1	EA

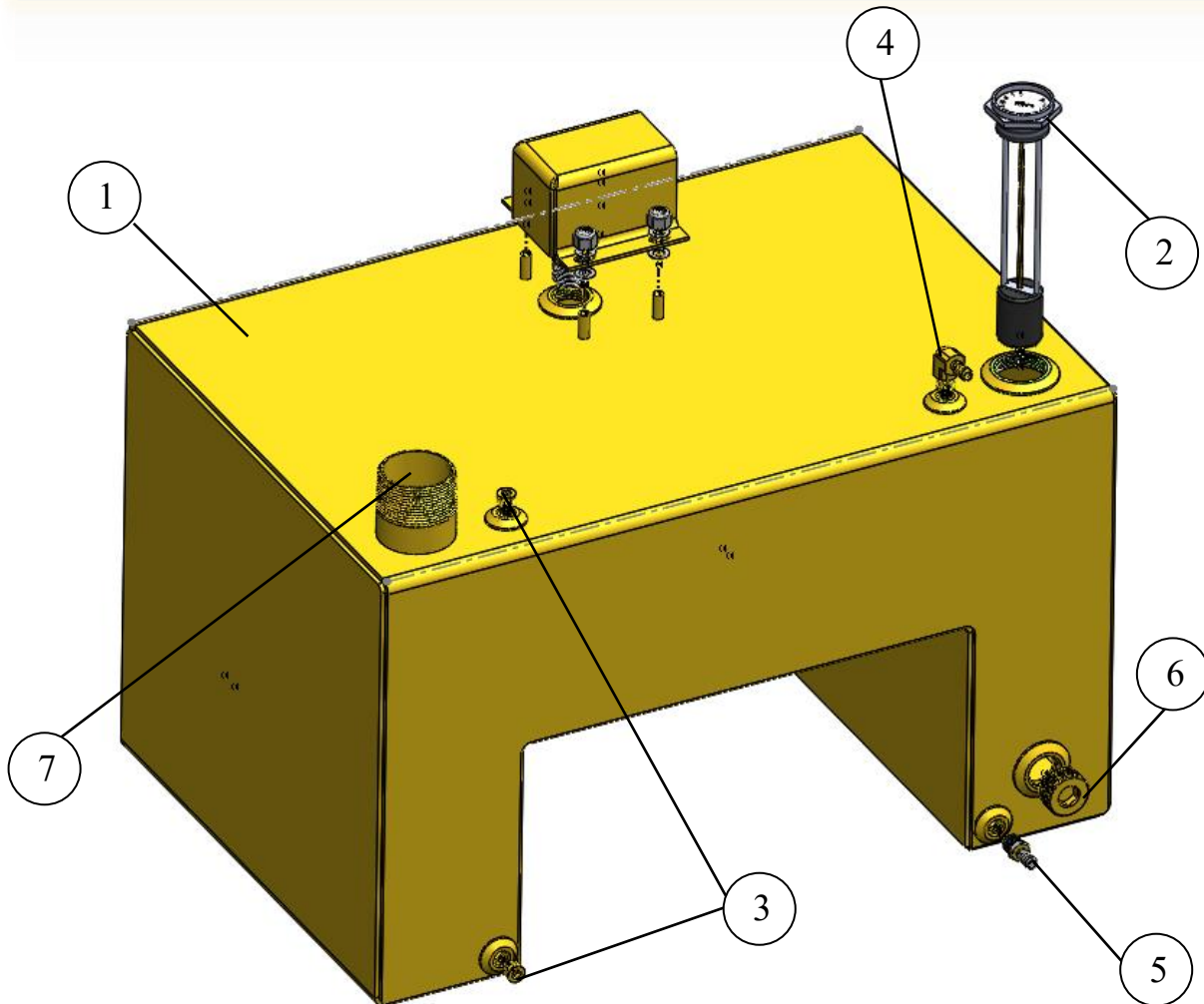
FITTINGS



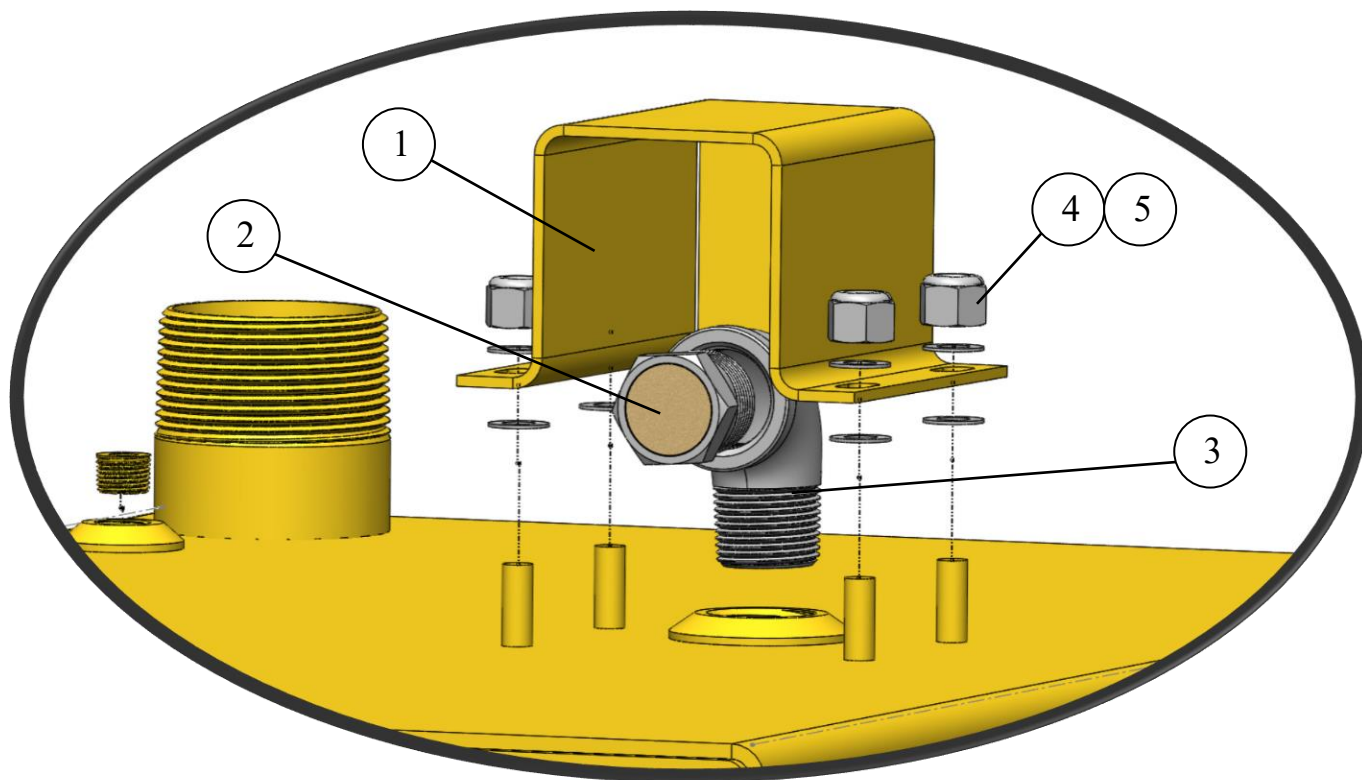
ID #	PART #	PART DESCRIPTION	QUANTITY	
1	86264-007	SPLIT FLANGE-CODE 61- 40 SAE	2	EA
2	86911-009	STEM, 2 1/2" 90 DEG, 40GL-40FL90	1	EA
3	79803	CLAMP - T-BOLT - 3.00 DIA	4	EA
4	86265-003	SPLIT FLANGE-CODE 62- 20 SAE	2	EA
5	86912-006	FLANGE, FLH6K-MJ90-20-16	1	EA
6		ADAPTOR, MB-MJ-90-12-10	1	EA
7	86728-023	ADAPTOR, MB-MJ-20-16	1	EA
8	87754-020	ELBOW, MB-MJ45-20-16	1	EA
9		MB-MJ-45-10	1	EA
10	86900-017	MB-MJ0-10-10	1	EA

EXHAUST

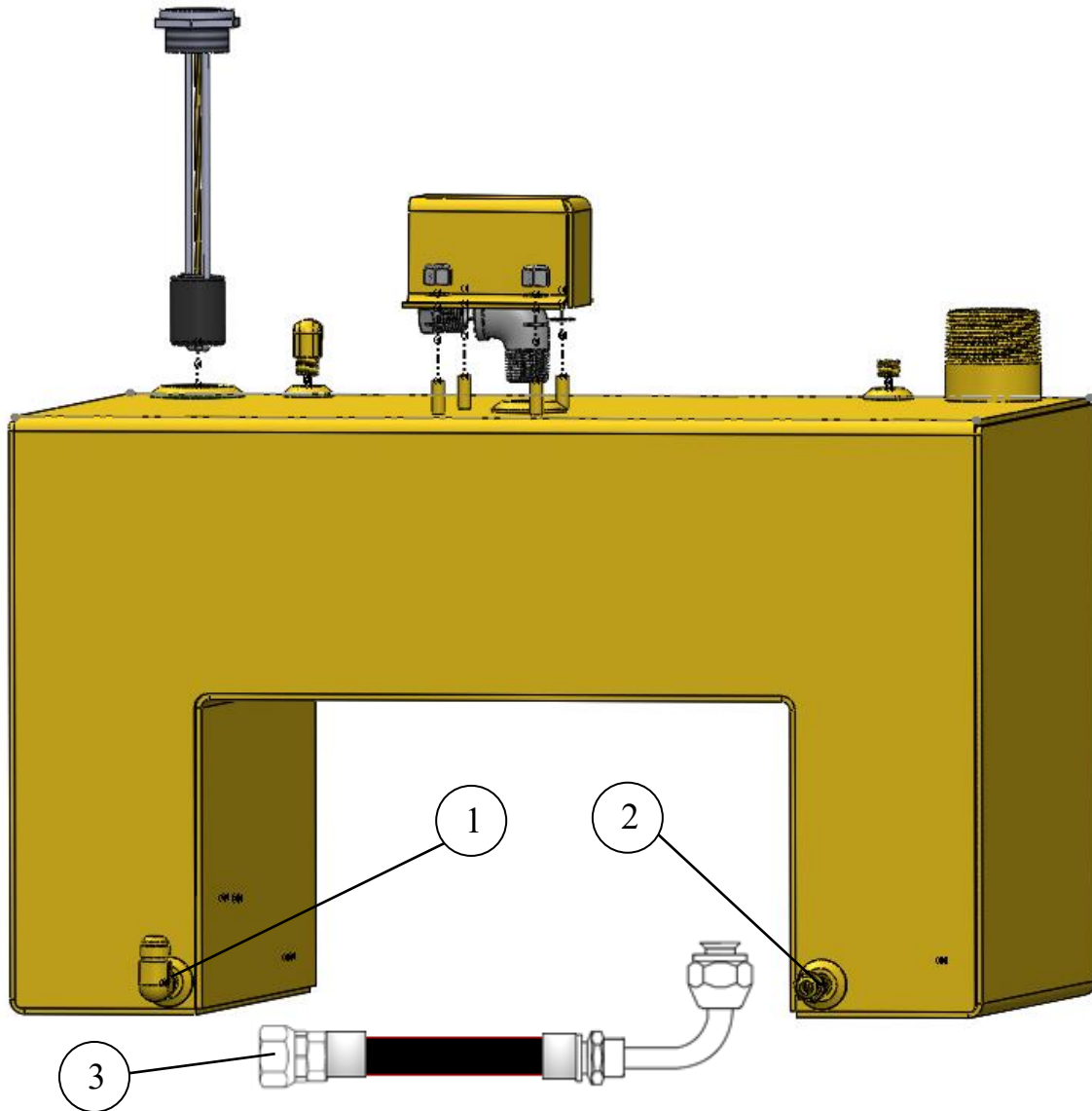
ID #	PART #	PART DESCRIPTION	QUANTITY	
1	89954	HEAT TRAY	1	
2	89975	HEAT BLANKET, 10X24	1	
3	89976	HEAT BLANKET, 3"	1	
4	86083	BUMPERS	4	
5	73475	RAIN CAP	1	

FUEL TANK ASSEMBLY

ID #	PART #	PART DESCRIPTION	QUANTITY
	89835	FUEL TANK ASSY	REF
1	89865	FUEL TANK WELDMENT, CENTER	1
2	77191	GAUGE MOUNT	1
3	89981	PLUG, 3/8 NPT	2
4		3/8 NPT 90 DEG BARBBED FITTING	1
5		3/8 NPT STRAIGHT BARBBED FITTING	1
6		1 1/2" NPT PLUG	1
7	89979	CAP, 2.5" NPT	1

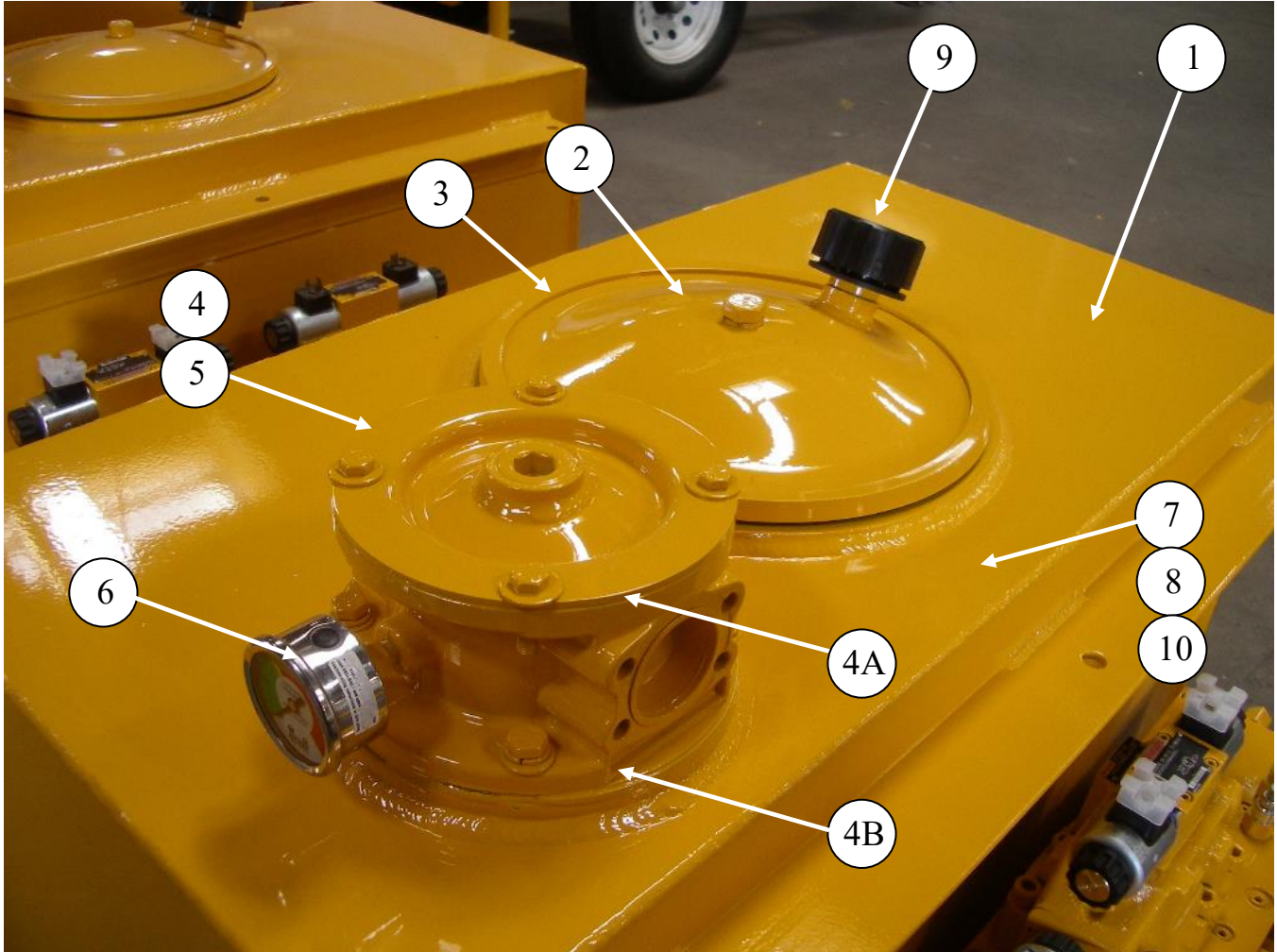
FUEL TANK ASSEMBLY

ID #	PART #	PART DESCRIPTION	QUANTITY	
1	89865-V	COVER, VENT	1	
2	89977	VENT CAP 1" NPT	1	
3	90099	ELBOW, 90 DEG, 1" NPT	1	
4		3/8 LOCKNUT	4	
5		3/8 FLATWASHER	8	

FUEL TANK ASSEMBLY

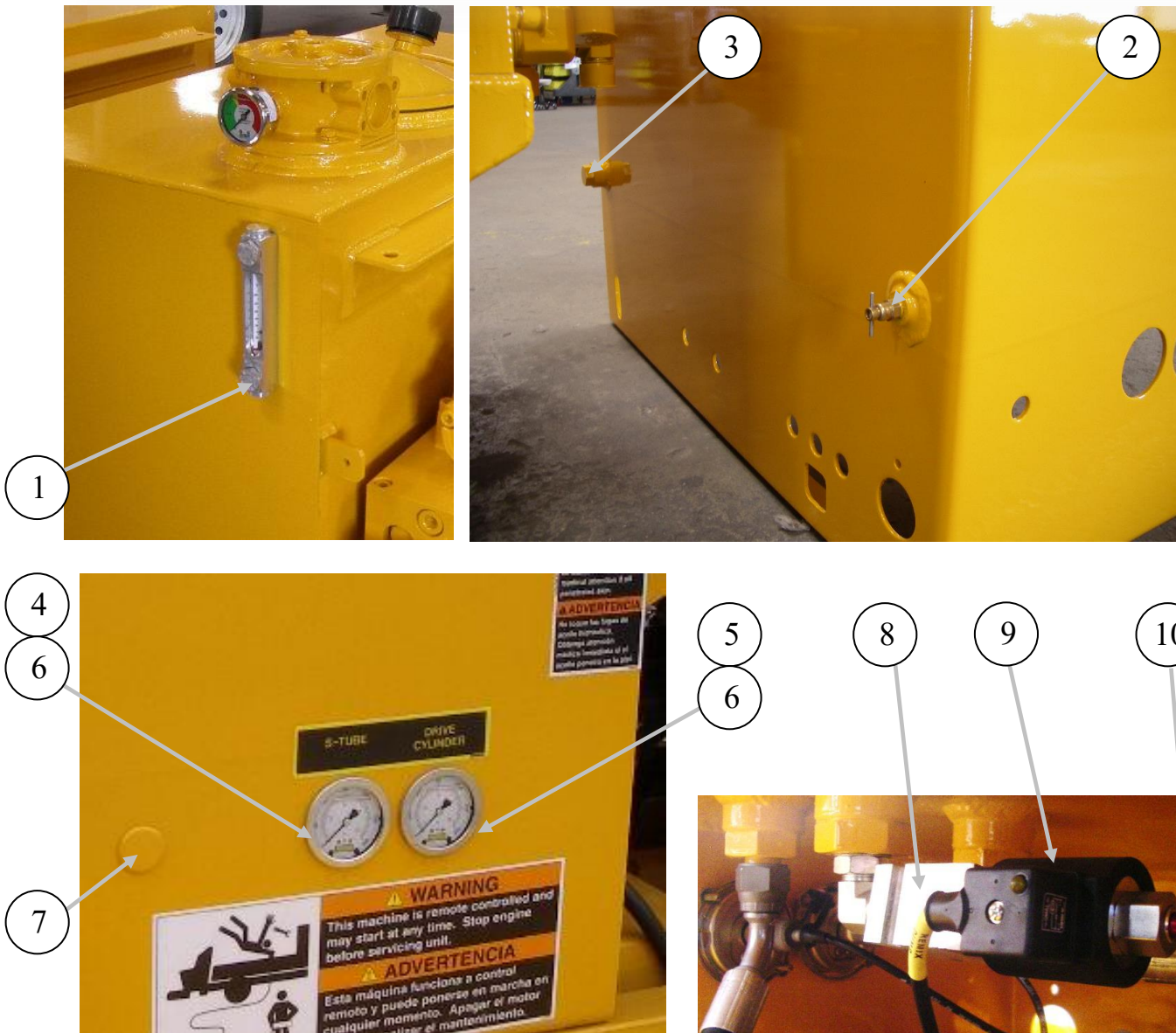
ID #	PART #	PART DESCRIPTION	QUANTITY
1		MJ-MP90-10-8 FITTING	1
2		MJ-MP-10-8 FITTING	1
3	85669-004	HOSE, 8FLH-10FJX-10FJX90S-24.00	1

HYDRAULIC GROUP HYDRAULIC TANK ASSEMBLY



ID #	PART #	PART DESCRIPTION	QUANTITY	
	89836	HYD GR. B SER, KAW	REF	
	85361	HYD TANK ASSY B-SERIES	1	EA
1	85102	HYDRAULIC TANK WELDMENT	1	EA
2	85529	ENDCOVER KIT, 12 IN W/DRAIN	1	EA
3	85867	GASKET- END COVER 12"	1	EA
4	85282	FILTER, RETURN, TANK MOUNTED	1	EA
4A	BW10241	SEAL KIT FOR 85282 FILTER RETURN	1	EA
4B	85282-G	GASKET-CORK	1	EA
5	85283	FILTER ELEMENT, PN 85282 FILTER	1	EA
6	85575	GAUGE, PN 85282 RETURN FILTER	1	EA
7	79247	MAGNETIC SEPERATOR 1 ¼ " NPT	1	EA
8	800230	MAGNETIC SEPARATOR,3"NPT	1	EA
9	85537	FILLER BREATHER, 3/4 NPT	1	EA
10	10265	NIPPLE-CLOSE 1 ¼ NPT SCH 40 GALV	1	EA

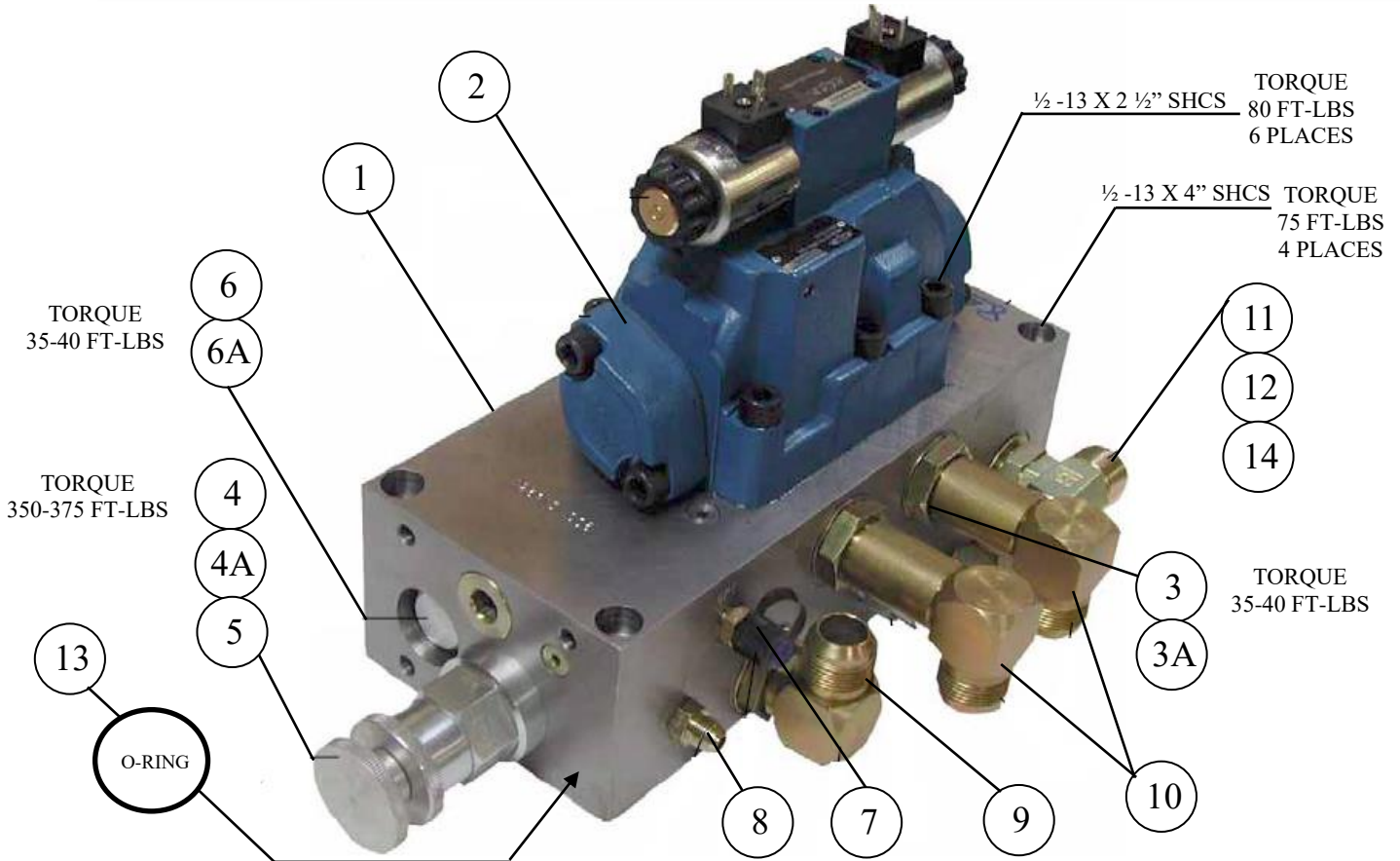
HYDRAULIC TANK ASSEMBLY CONTINUED



ID #	PART #	PART DESCRIPTION	QUANTITY	
1	74509	GAUGE-SIGHT/TEMPERATURE	1	EA
2	801025	DRAIN COCK, 1/4 NPT	1	EA
3	BG-12	3/4" SAE PLUG	1	EA
4	70366	PRESSURE GAUGE, 3000 PSI/BAR	1	EA
5	74562	PRESSURE GAUGE, 6000 PSI/BAR	1	EA
6	78594	MINICHECK GAUGE ADAPTOR, 1/4 NPT	2	EA
	78608	MINI CHECK HOSE 48"	2	EA
7		HOFFMAN PLUG	1	A/R
8	87154	SOLENOID VALVE ASSY (REMIX-DUMP)	1	EA
9	87249	COIL	1	A/R
10	87154-C	CARTRIDGE	1	A/R

MANIFOLDS

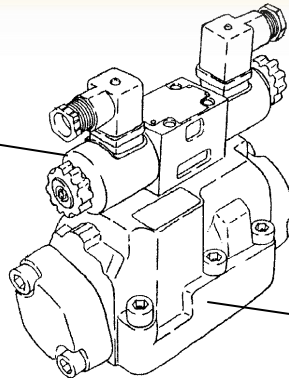
DRIVE CYLINDER CIRCUIT MANIFOLD ASSEMBLY



ID #	PART #	PART DESCRIPTION	QUANTITY	
	85248	MANIFOLD, CYLINDER CIRCUIT ASSEMBLY	1	EA
1	86820	MANIFOLD, MACHINED CYLINDER CIRCUIT	1	EA
2	85689	SOLENOID VALVE, DRIVE CYLINDER	1	EA
3	85696	RELIEF VALVE CARTRIDGE	1	EA
3A	85696-SK	SEAL KIT		
4	85697	FLOW CONTROL CARTRIDGE W/KNOB	1	EA
4A	85697-SK	SEAL KIT		
5	86947	KNOB KIT, ALUMINUM	1	EA
6	85698	CHECK VALVE CARTRIDGE	1	EA
6A	85698-SK	SEAL KIT		
7	78593	MINICHECK ADAPTOR, SAE 4	1	EA
8	86900-002	ADAPTOR, MB-MJ-4-6	1	EA
9	86728-023	ELBOW, MB-MJ45-16-16	1	EA
10	86900-028	STRAIGHT, MB-MJ-16-16	2	EA
11	86945-001	TEE, MJ-MB-MJT-16	1	EA
12	86905-016	ELBOW, MJ-FJX90-16-16	1	EA
13	86946	O-RING #230 BUNA 90DUR	1	EA
14	86948-001	REDUCER, JIC MJ-FJ-10-16	1	EA

DRIVE CYLINDER CIRCUIT MANIFOLD ASSEMBLY CONT.

DRIVE CYLINDER
PILOT SOLENOID
VALVE



DRIVE CYLINDER VALVE
ASSEMBLY COMPLETE
85689

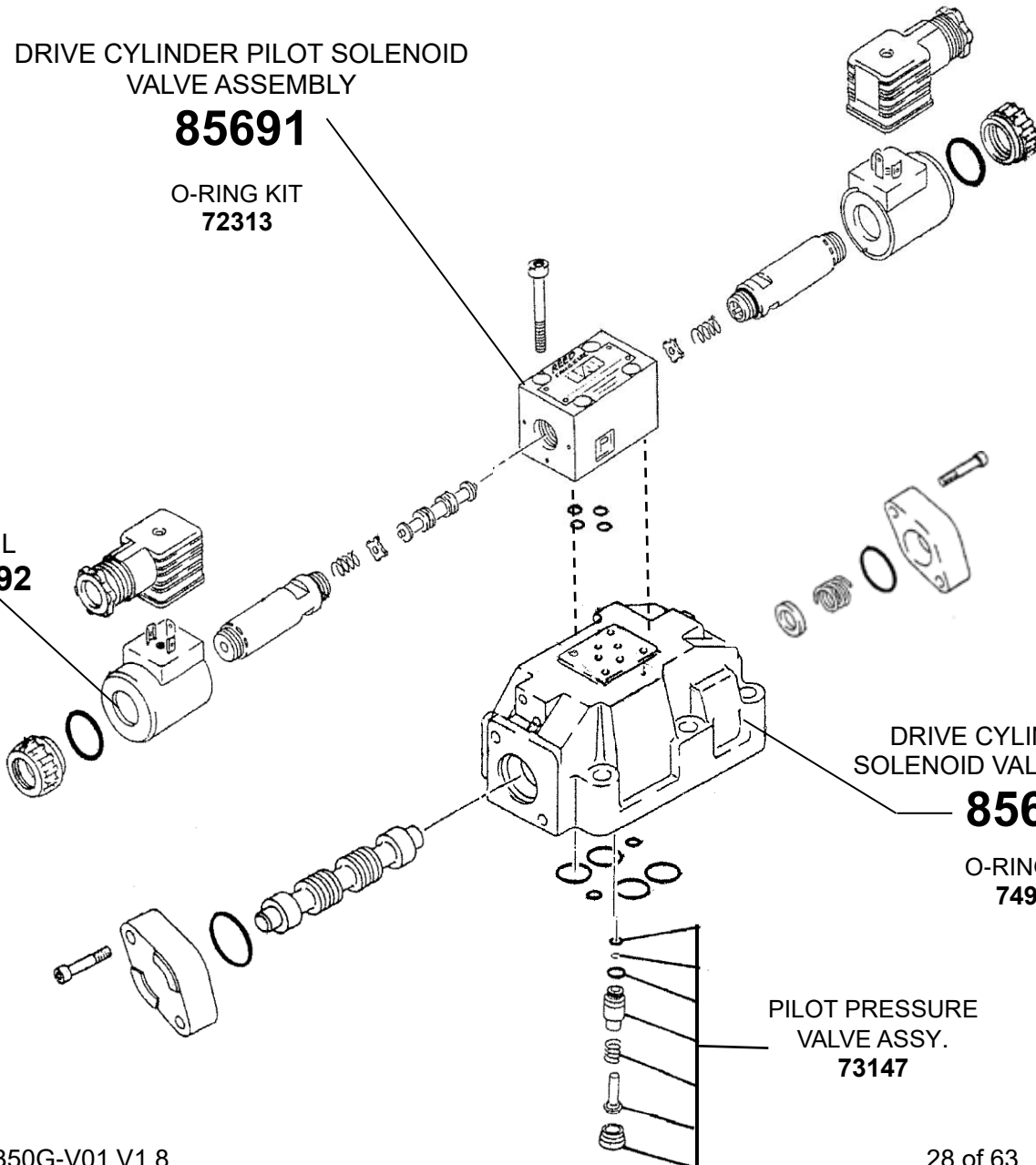
DRIVE CYLINDER
MAIN VALVE

DRIVE CYLINDER PILOT SOLENOID
VALVE ASSEMBLY

85691

O-RING KIT
72313

COIL
85692

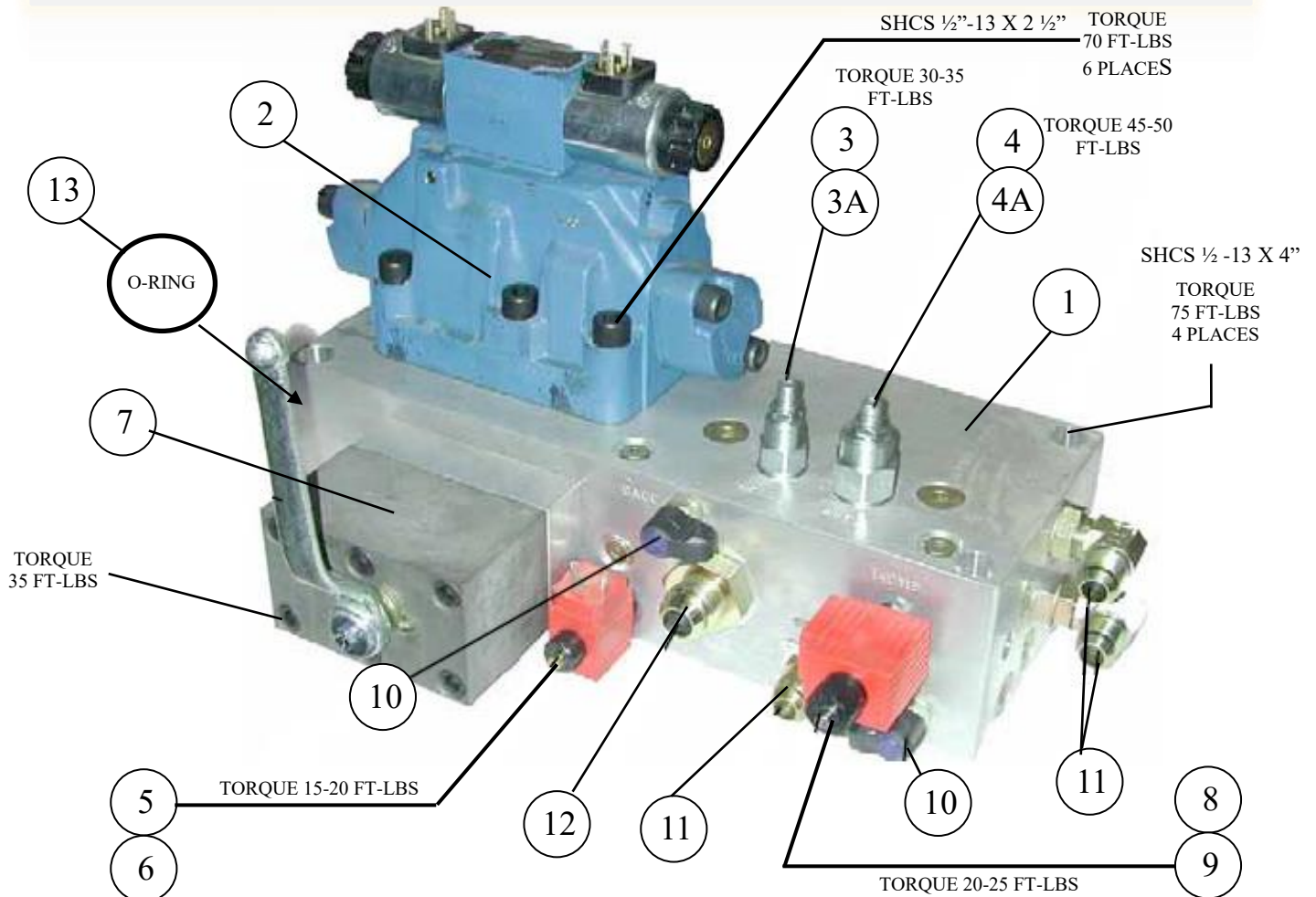


DRIVE CYLINDER MAIN
SOLENOID VALVE ASSEMBLY
85690

O-RING KIT
74994

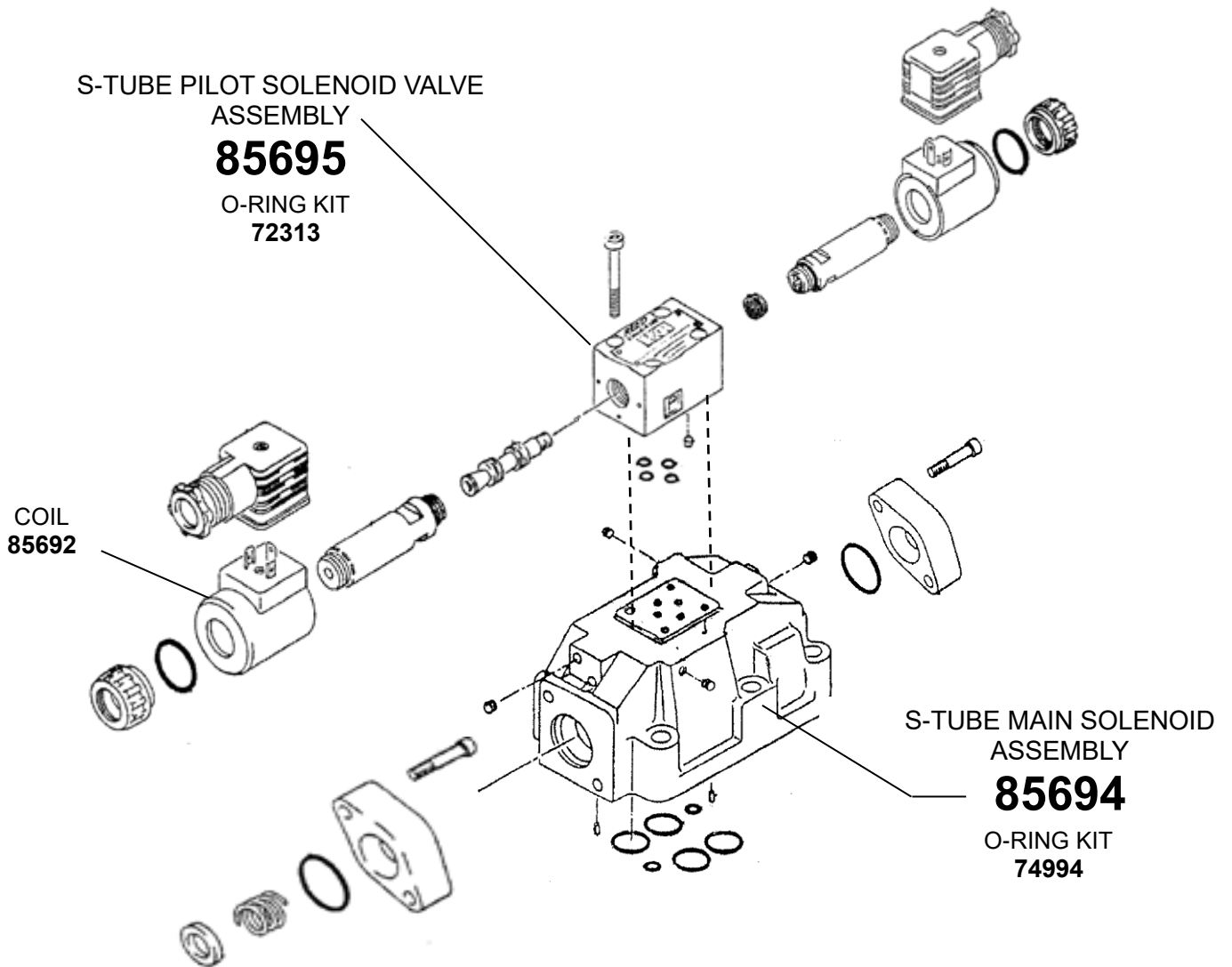
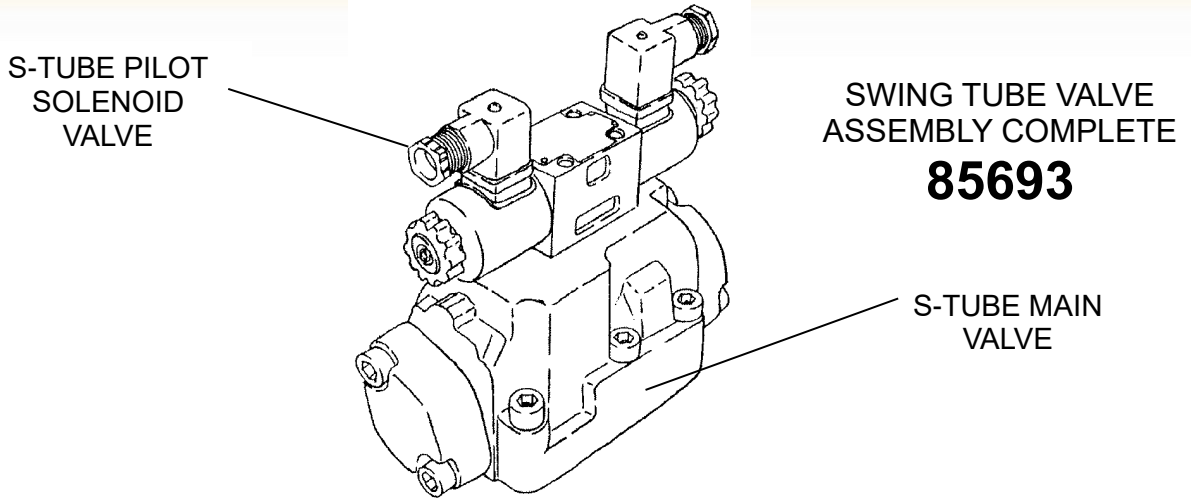
PILOT PRESSURE
VALVE ASSY.
73147

S-TUBE CIRCUIT MANIFOLD ASSEMBLY

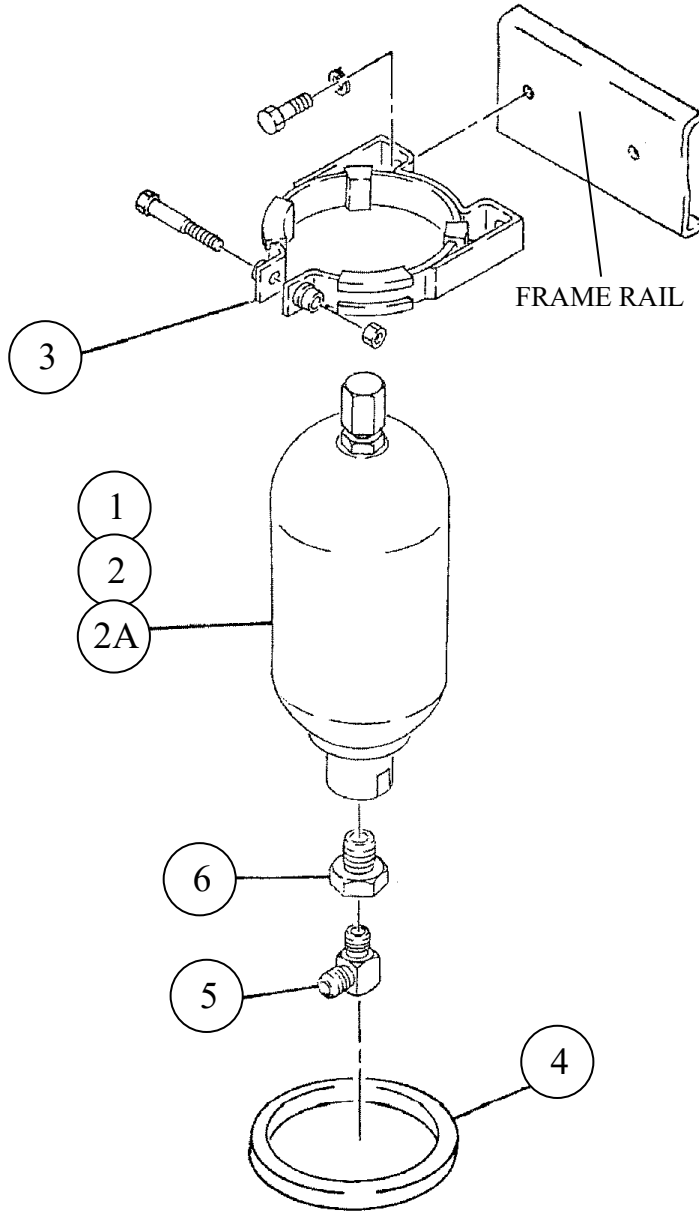


ID #	PART #	PART DESCRIPTION	QUANTITY	
	85249	MANIFOLD, S-TUBE CIRCUIT ASSEMBLY		
1	86821	MANIFOLD, MACHINED S-TUBE CIRCUIT	1	EA
2	85693	SOLENOID VALVE, S-TUBE SHIFT	1	EA
3	85704	UNLOADER VALVE CARTRIDGE, (QCDB)	1	EA
3A	85704-SK	SEAL KIT		
4	85703	RELIEF VALVE CARTRIDGE, (RVEA)	1	EA
4A	85703-SK	SEAL KIT		
5	85699	SOLENOID VALVE CARTRIDGE, (12CHS)	1	EA
6	85700	COIL, 12VDC,	1	EA
7	85705	BALL VALVE,	1	EA
8	85701	SOLENOID VALVE CARTRIDGE, (14CHS)	1	EA
9	85702	COIL, 12V DC FOR PN-87248	1	EA
10	78593	MINICHECK ADAPTOR, SAE	2	EA
11	86728-014	ELBOW, MB-MJ90-10-10	2	EA
12	86900-027	ADAPTOR, MB-MJ-16-12	1	EA
13	86946	O-RING #230 BUNA 90DUR	1	EA

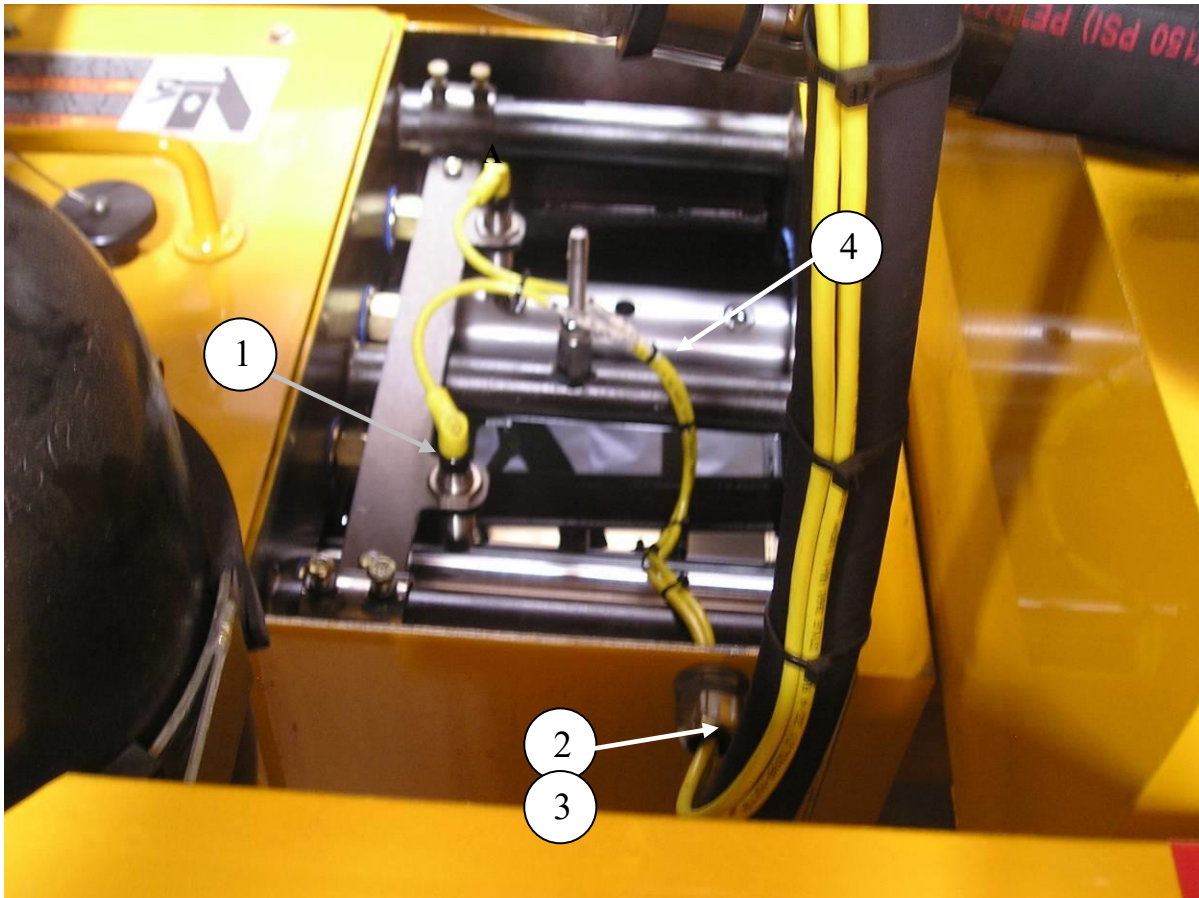
S-TUBE CIRCUIT MANIFOLD ASSEMBLY CONT.



ACCUMULATOR ASSEMBLY

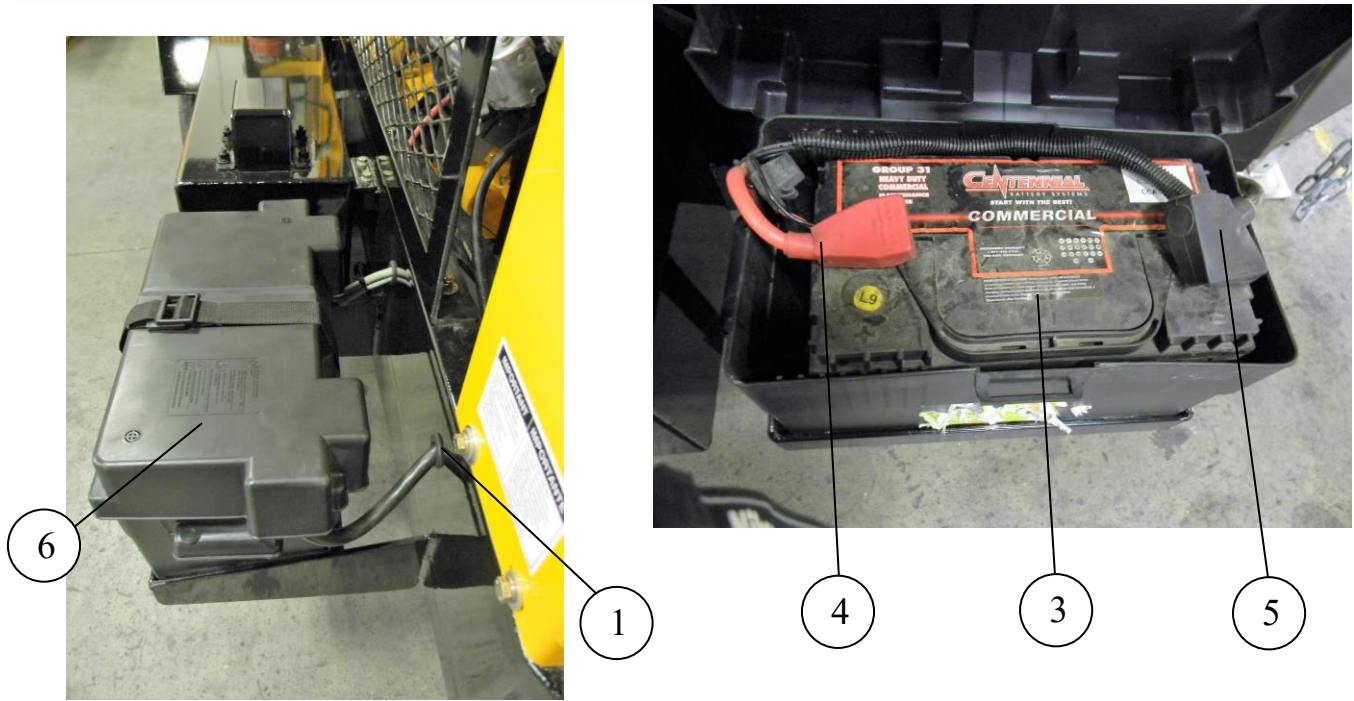


ID #	PART #	PART DESCRIPTION	QUANTITY	
1	74515	ACCUMULATOR-1 GAL 3000PSI	1	EA
2	74516	BLADDER, 1 GAL.	1	EA
2A	85812	BLADDER SEAL KIT	1	EA
3	73171	ACCUMULATOR BKT.W/CLOSING HARDWARE	1	EA
4	801028	GROMMET, ACCUMULATOR	1	EA
5	86728-019	ELBOW, MB-MJ90-12-12	1	EA
6	86920-20	REDUCER MB-FB-20-12	1	EA

ELECTRICAL GROUP
PROXIMITY SENSOR

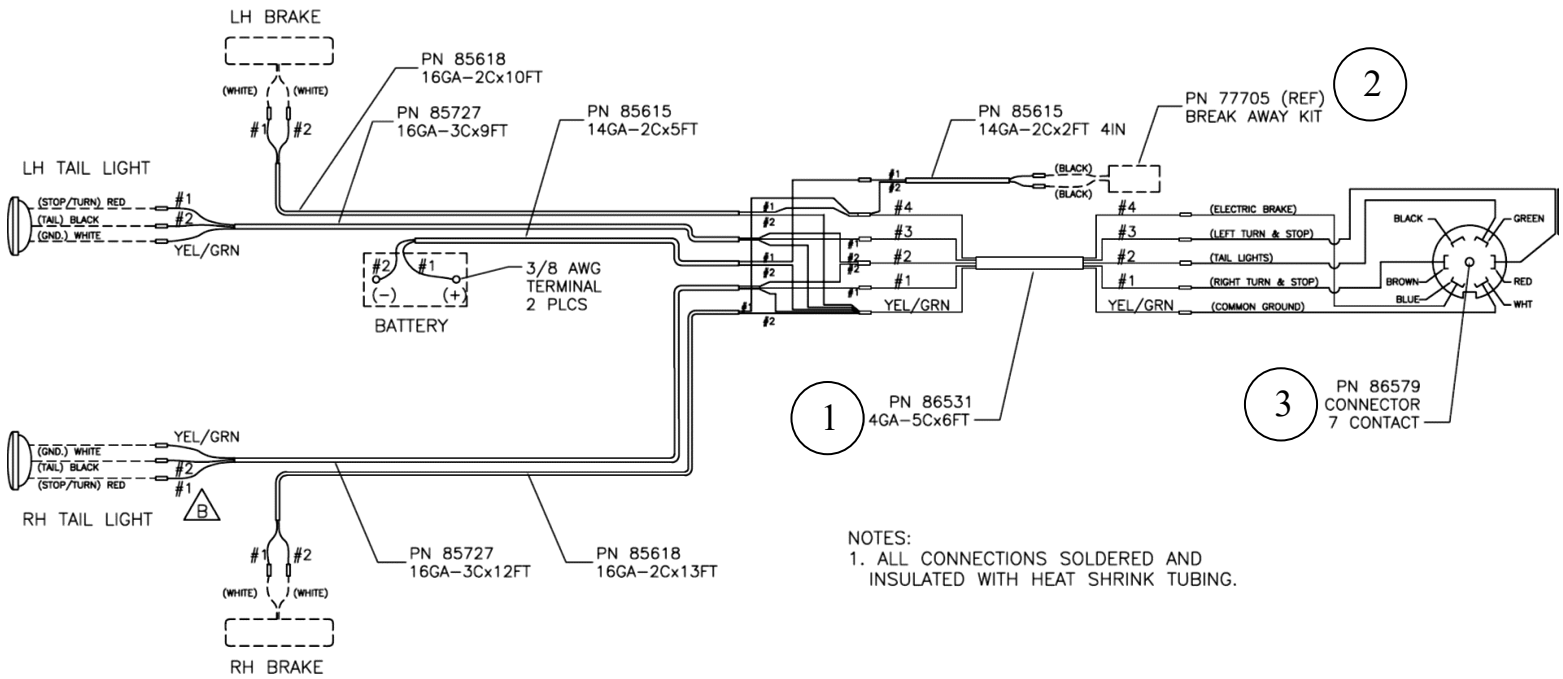
ID #	PART #	PART DESCRIPTION	QUANTITY	
	89842	ELECTRICAL GROUP B50G	REF	
1	77998	PROXIMITY SENSOR NPN FLUSH BOX MOUT	2	EA
2	10522	STRAIN RELIEF	1	EA
3	10528	NUT-1/2" BONDING TYPE LOCK	1	EA
4	77990	CABLE, PROXIMITY SWITCH, 5M	2	EA

BATTERY ASSEMBLY



ID #	PART #	PART DESCRIPTION	QUANTITY	
			REF	
1	72813	GROMMET FOR BATTERY BOX	2	EA
2	72945	BATTERY HOLD DOWN	1	EA
3	77075	BATTERY-12V 1000 CCA31	1	EA
4	87732	BATTERY CABLE-43"-RED 2/0AWG	1	EA
5	87733	BATTERY CABLE-37"-BLK 2/0AWG	1	EA
6	90491	BATTERY BOX	1	EA

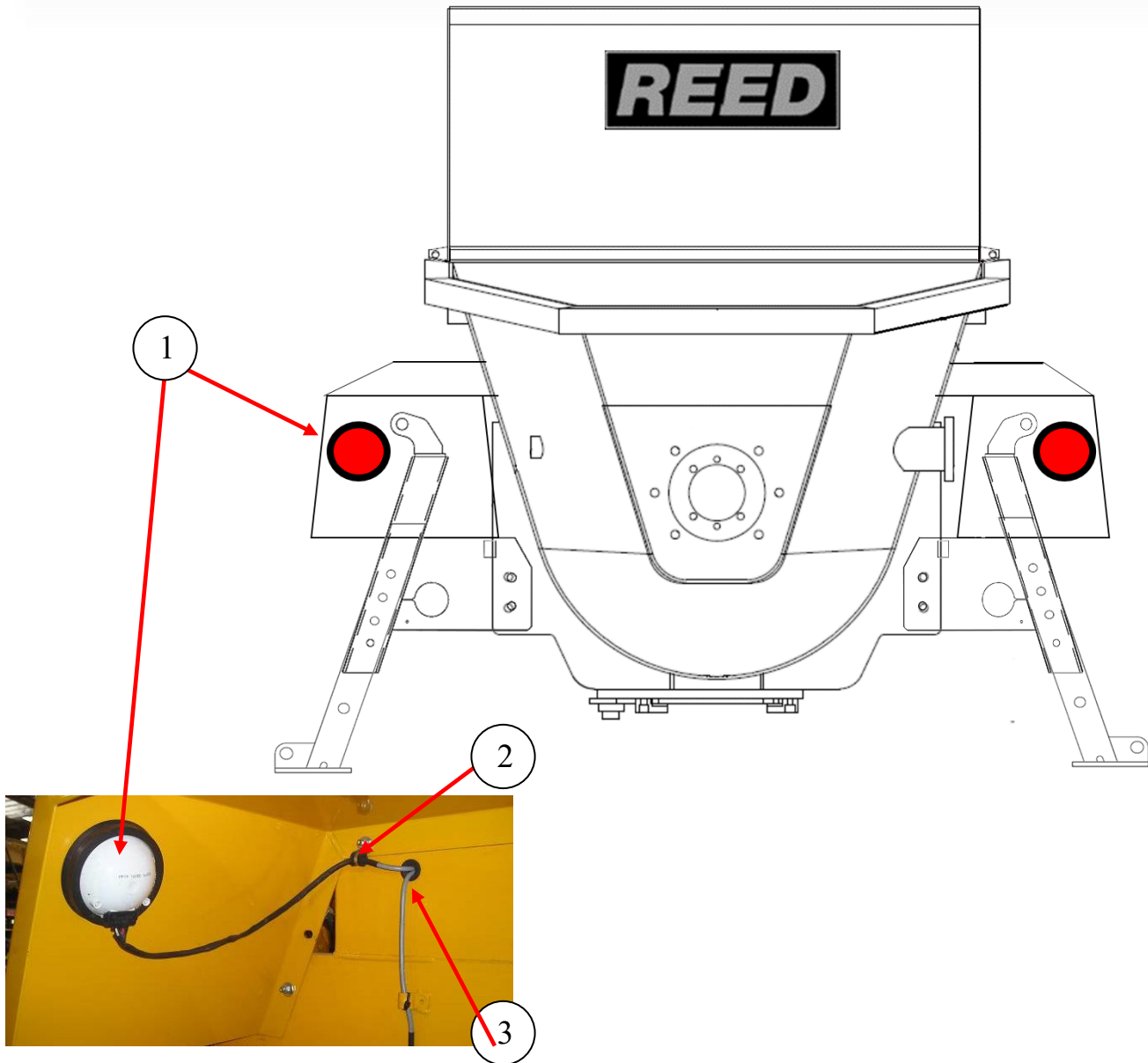
TRAILER HARNESS AND BREAKAWAY



NOTES:
 1. ALL CONNECTIONS SOLDERED AND INSULATED WITH HEAT SHRINK TUBING.

ID #	PART #	PART DESCRIPTION	QUANTITY	
1	86533	TRAILER HARNESS- B-SERIES	1	EA
2	77705	BREAK-AWAY KIT 5000 SERIES	1	EA
3	86579	TRAILER PLUG 7C FLAT PI	1	EA
4	72949	GROMMET	REF	
5	72813	GROMMET	REF	

TAIL LIGHTS



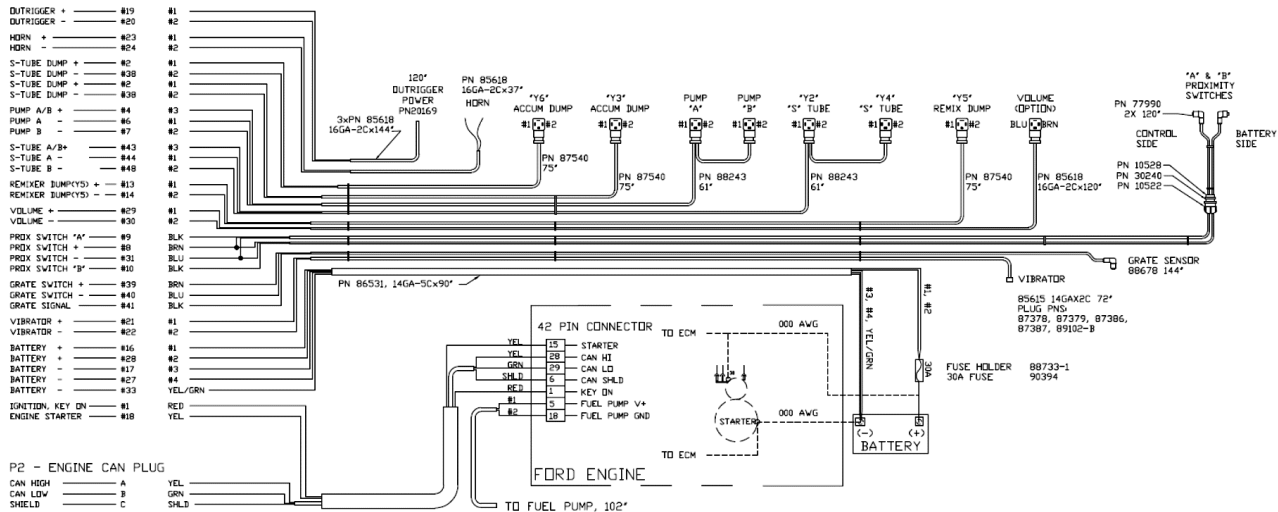
ID #	PART #	PART DESCRIPTION	QUANTITY	
1	72948	TAIL LIGHT	2	EA
2	87665	LOOM, CLAMP 7/8"	2	EA
3	72949	GROMMET	2	EA



B50HPG PARTS

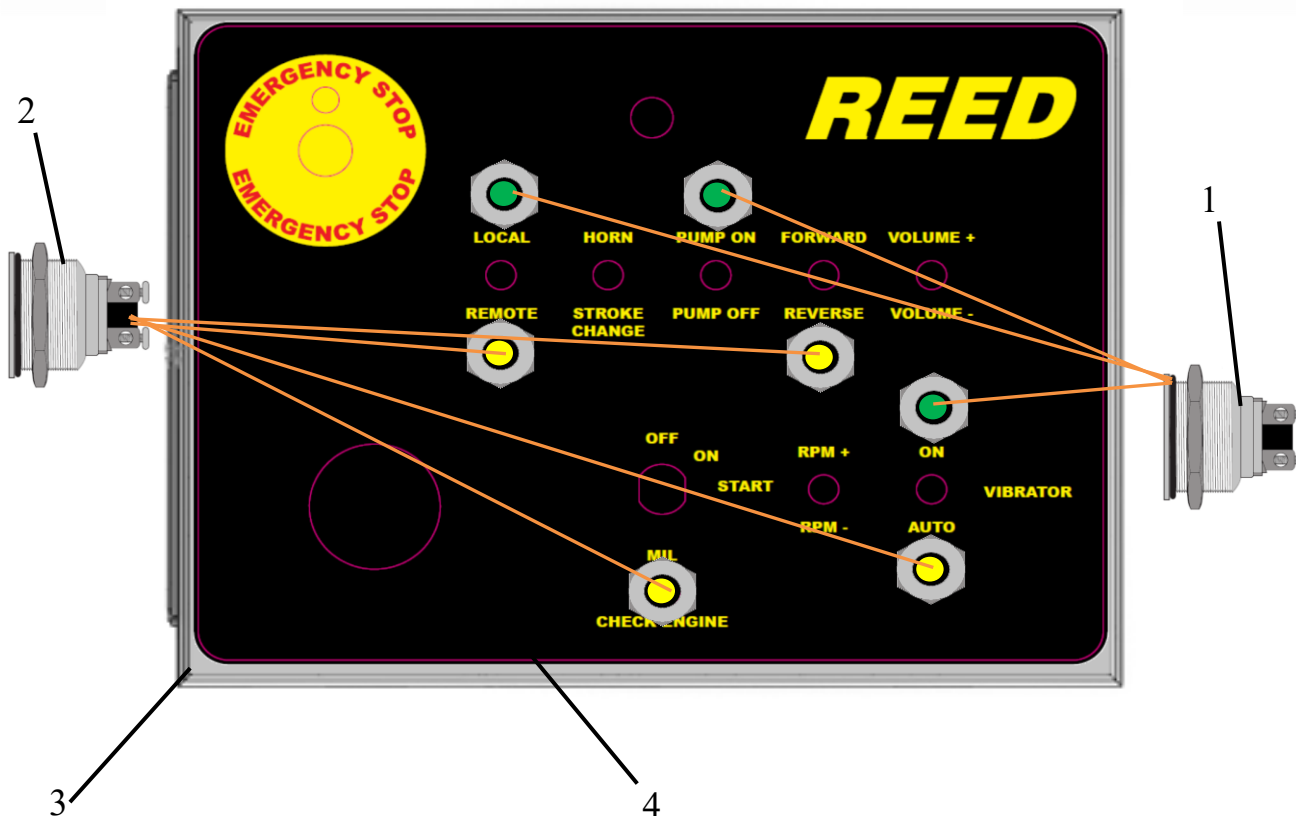
13822 Oaks Avenue
Chino, CA 91710
reedpumps.com
(909) 287 - 2100

MAIN WIRING HARNESS



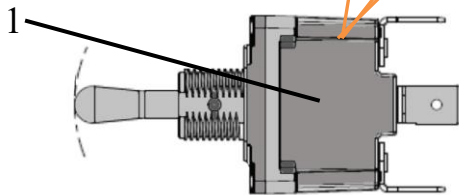
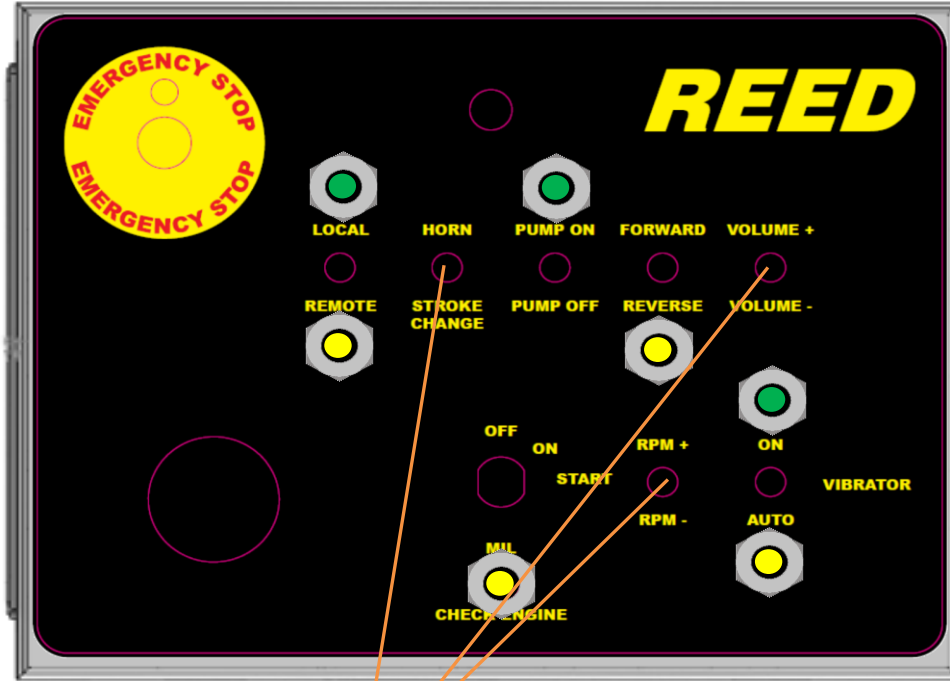
ID #	PART #	PART DESCRIPTION	QUANTITY
	89841	WIRING HARNESS, B50G	
	201169	CABLE, 18AWG-3C	
	85615	CABLE, 14 AWG-2C	
	85618	CABLE, 16 AWG-2C	
	86531	CABLE, 14 AWG-5C	
	89127	CABLE, BLK, TWISTED PAIR, 20 AWG	
	87540	TURCK U7106-05 CABLE	3
	88243	CABLE DIN PLUG, 5M LONG	2
	77990	CABLE, PROX, 5M	2
	10528	NUT-1/2"	1
	30240	GASKET-LIQUID TITE 1/2"	1
	10522	STRAIN RELIEF, 1/2"	1
	88678	CABLE SHIELDED PROX SWITCH	1
	89651	48 SOCKET HARNESS SIDE	1
	89651-W	WEDGE LOCK	1
	89651-B	BOOT	1
	88935	PLUG, 3 WAY	1
	88937	WEDGE LOCK, BLUE	1
	88935-B	BOOT, 3 WAY	1
	88733-1	FUSE HOLDER INLINE, BLADE STYLE	1
	90394	FUSE, ATO 30	1
	87378	RECEPTACLE 2 PIN	1
	87379	PLUG 2 PIN	1
	87386	WEDGELOCK	1
	89102-B	BOOT, 4 CAVITY SOCKET	1
	87457	PIN, CONTACT SOCKET SIZE 12, 25 AMP	13
	BW10147	PIN, CONTACT SOCKET SIZE 16, 13 AMP	12
	88959	PIN, CONTACT SOCKET SIZE 20, 7.5 AMP	24

CONTROL PANEL

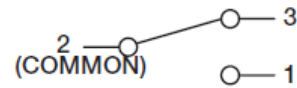


ID #	PART #	PART DESCRIPTION	QUANTITY	
1	90082	LED LIGHT, GREEN	3	EA
2	90083	LED LIGHT, YELLOW	4	EA
3	90482	CONTROL BOX, MACHINED	1	EA
4	89840-D	DECAL, MATTE LAM, B50G	1	EA

CONTROL PANEL

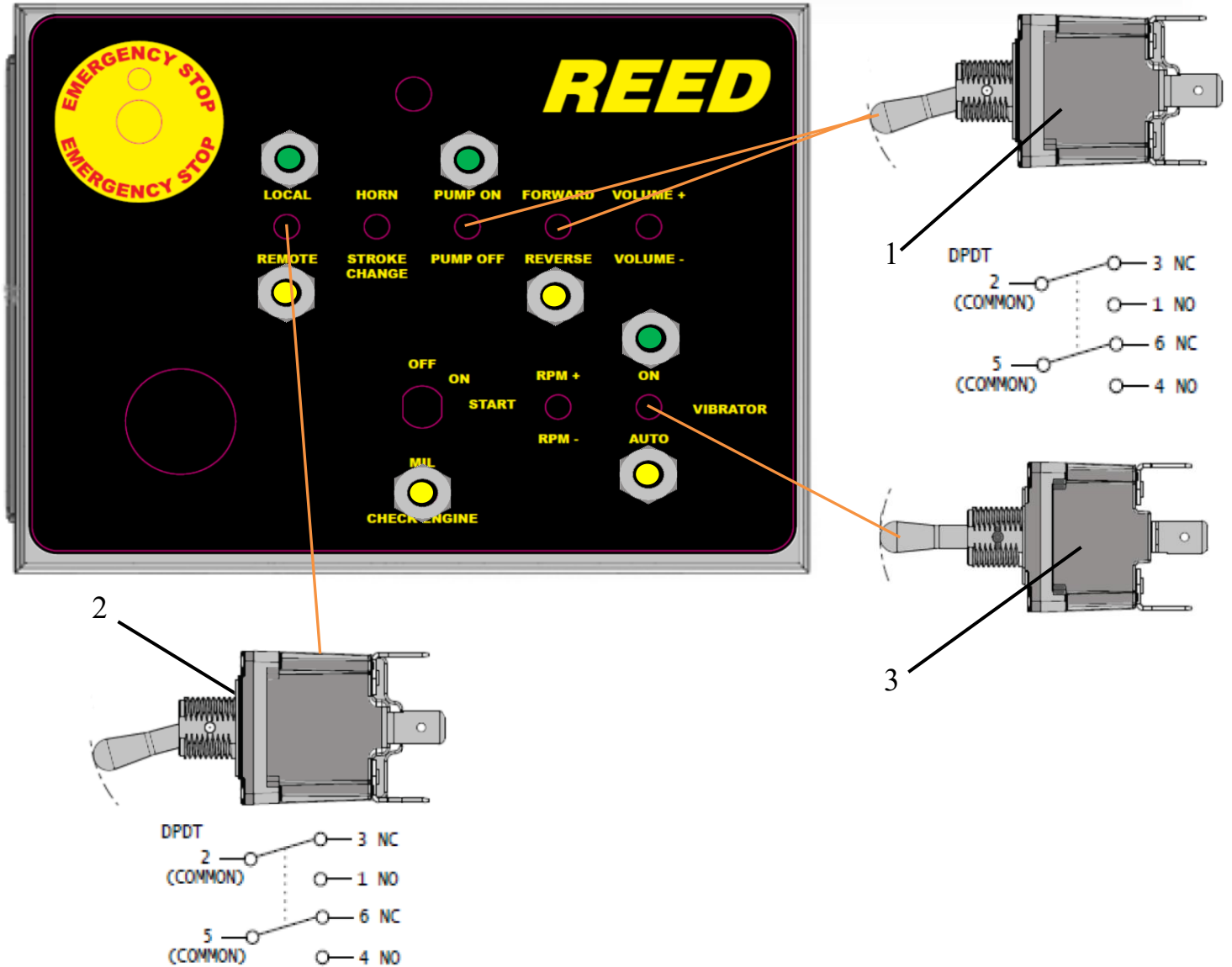


SPDT



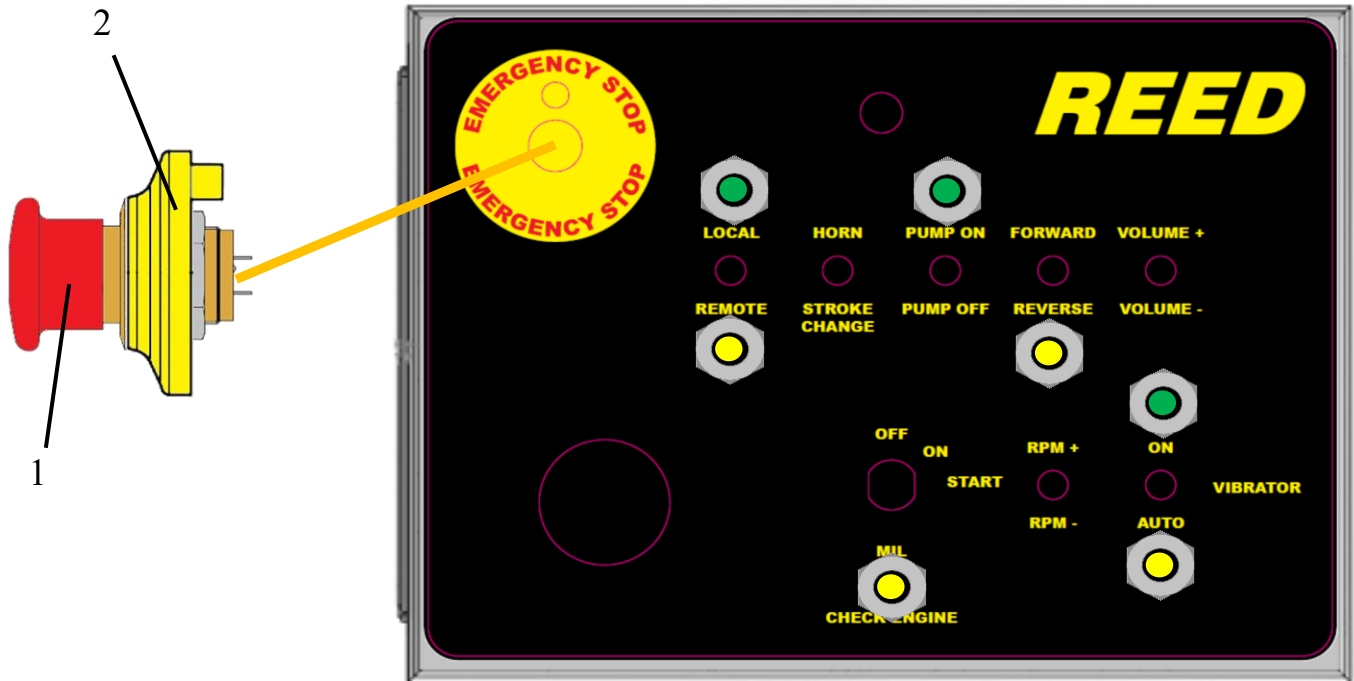
ID #	PART #	PART DESCRIPTION	QUANTITY	
1	89890	TOGGLE SWITCH, ON-OFF-ON	3	EA
	BW10361	BOOT TOGGLE SWITCH	3	EA

CONTROL PANEL



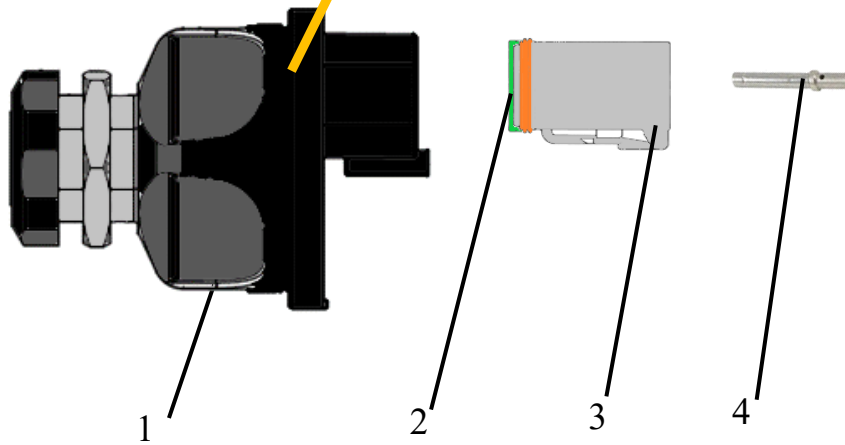
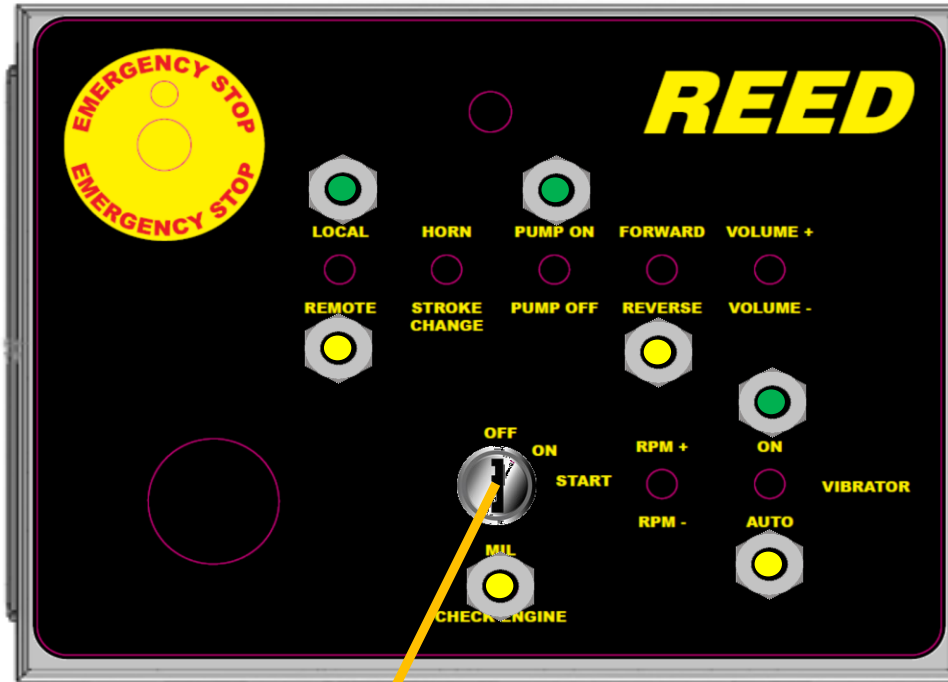
ID #	PART #	PART DESCRIPTION	QUANTITY	
1	89888	TOGGLE SWITCH ON-NONE-ON	2	EA
2	90078	TOGGLE SWITCH, ON-NONE-ON, LOCKING	1	EA
3	89887	TOGGLE SWITCH, ON-OFF-ON	1	EA
	BW10361	BOOT TOGGLE SWITCH	3	EA

CONTROL PANEL



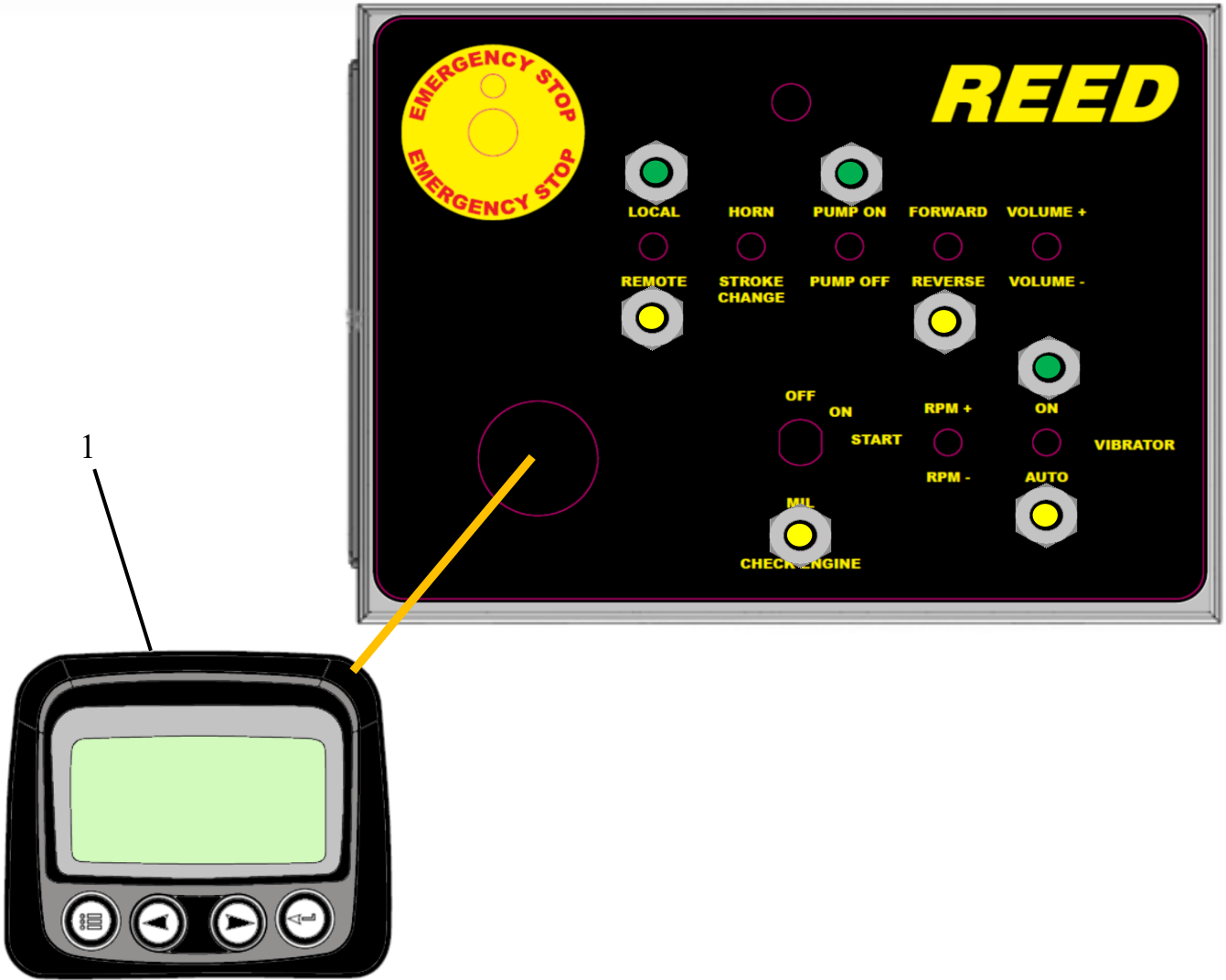
ID #	PART #	PART DESCRIPTION	QUANTITY	
1	89090-L	ILLUMANATED E-STOP RING	1	EA
2	89090	EMERGENCY STOP PUSH BUTTON	1	EA

CONTROL PANEL



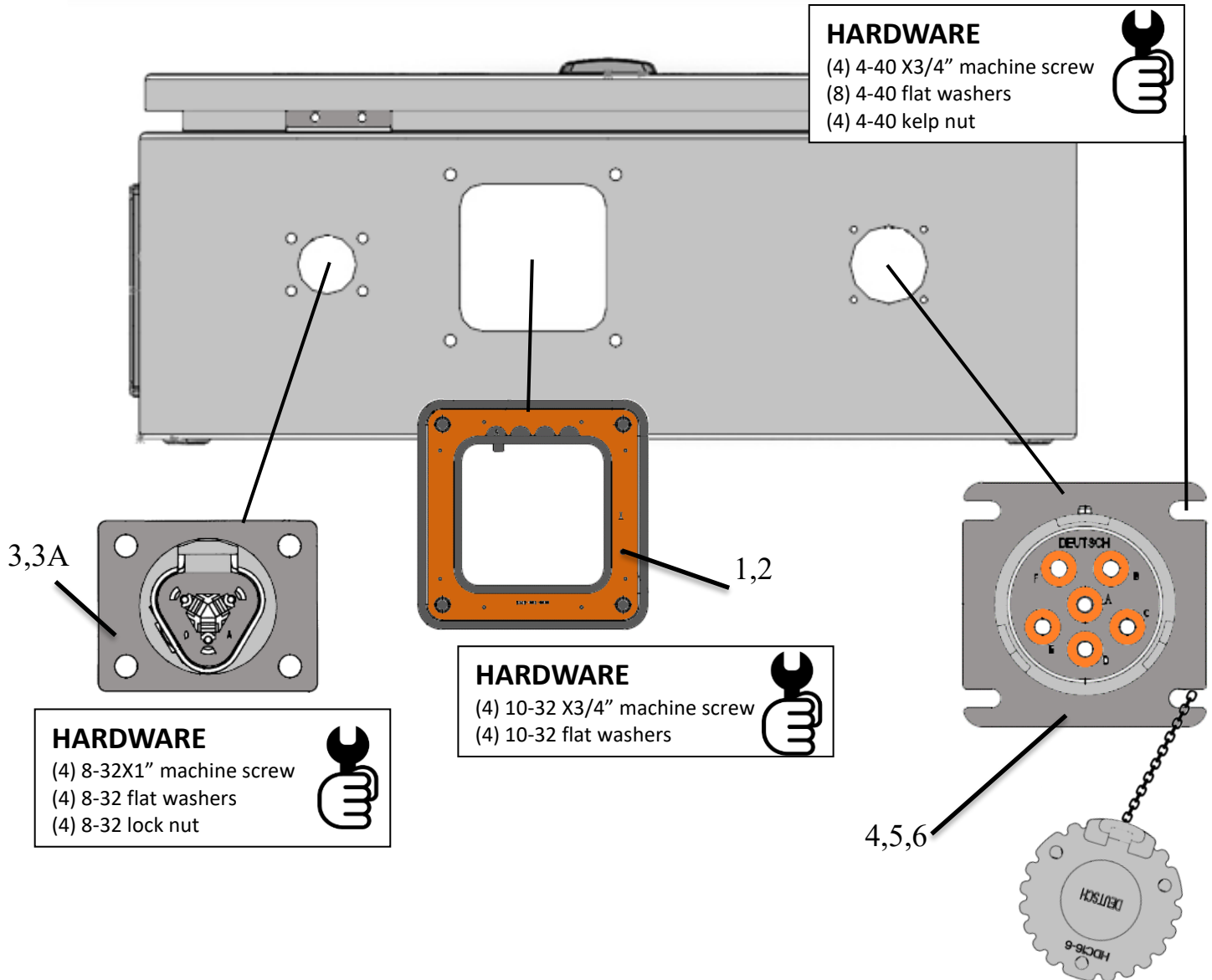
ID #	PART #	PART DESCRIPTION	QUANTITY	
1	89004	KEY SWITCH	1	EA
1A	89004-K	KEY (SPARE)	REF	EA
2	89108	INSERT	1	EA
3	89107	CONNECTOR PLUG	1	EA
4	BW10147	PIN	4	EA

CONTROL PANEL



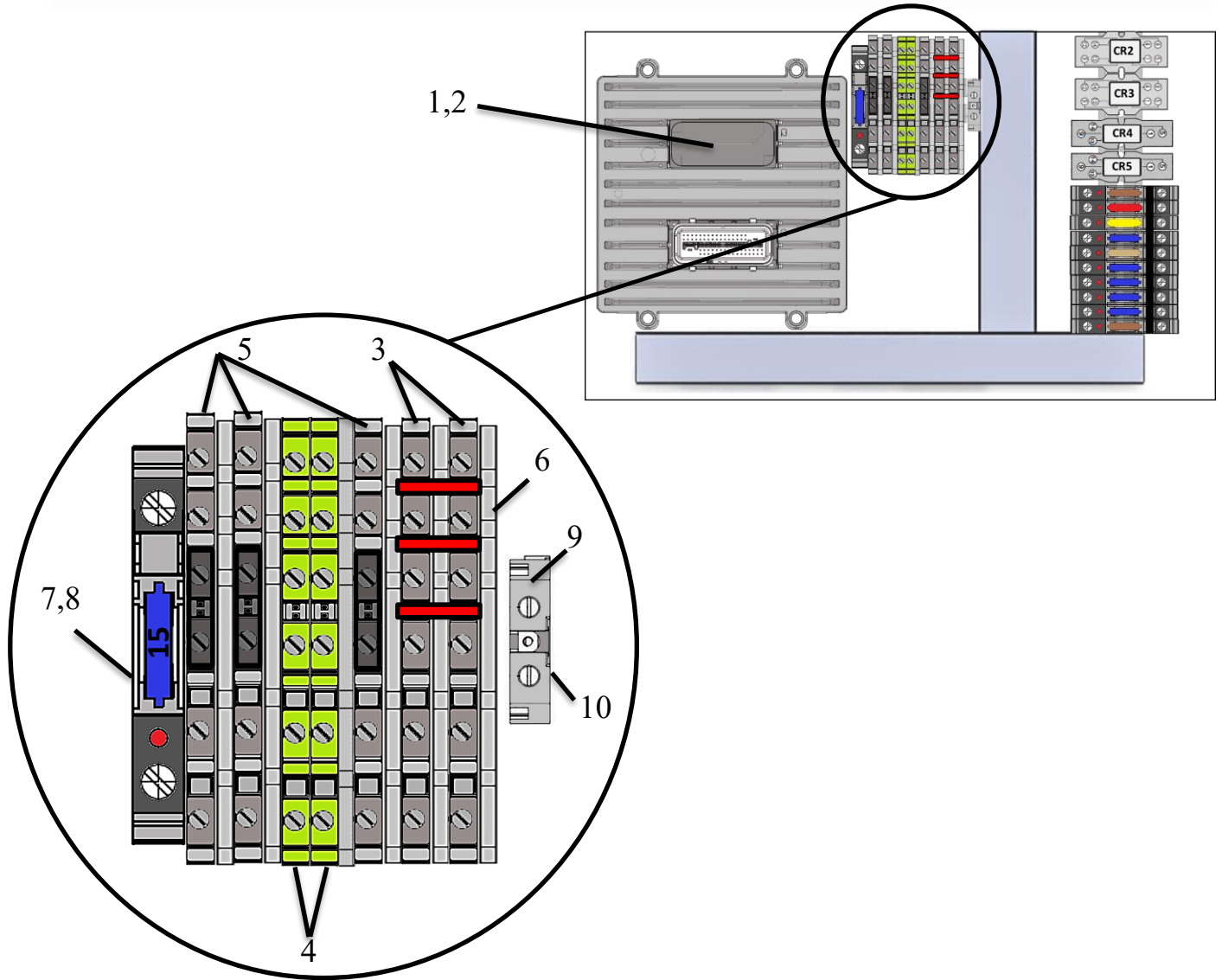
ID #	PART #	PART DESCRIPTION	QUANTITY	
1	89995	DISPLAY, PV101	1	EA

CONTROL PANEL



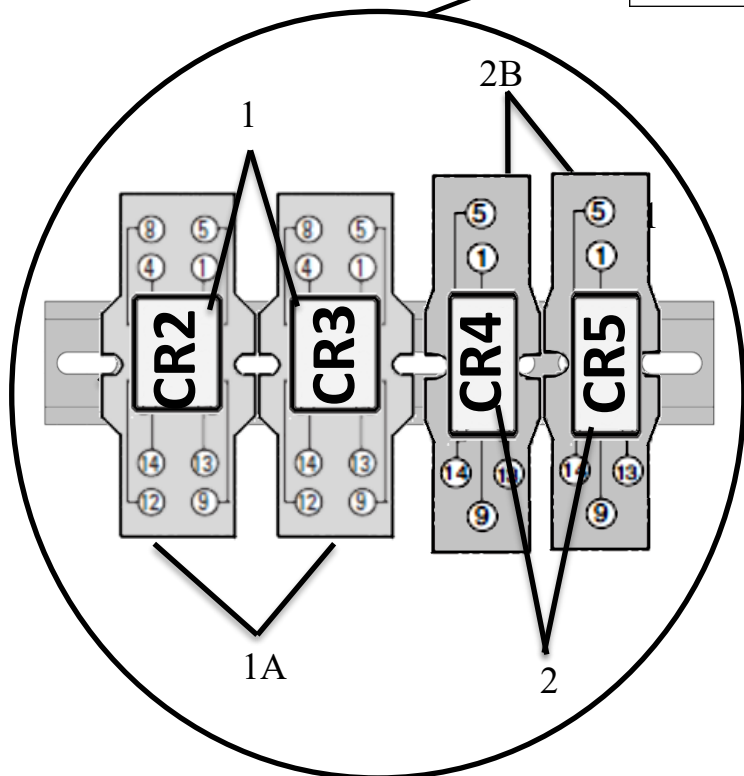
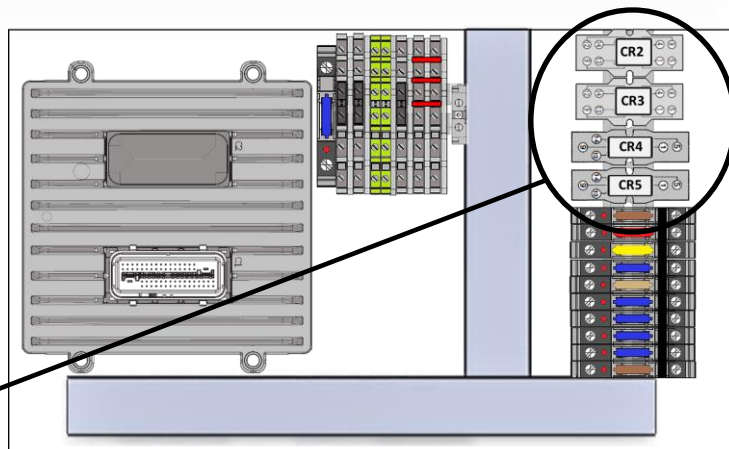
ID #	PART #	PART DESCRIPTION	QUANTITY	
1	89652-F	FLANGE FOR PLUG 89652	1	EA
2	89652	PLUG 48 PIN	1	EA
3	88932	3 WAY RECEPTICAL FLANGE MOUNT	1	EA
3A	88938	KEY WEDGLE LOCK	1	EA
4	89223	DEUTSCH PLUG 6 PIN	1	EA
5	89402	CHAIN LANYARD	1	EA
6	89223-C	CAP FOR 89223	1	EA

CONTROL PANEL



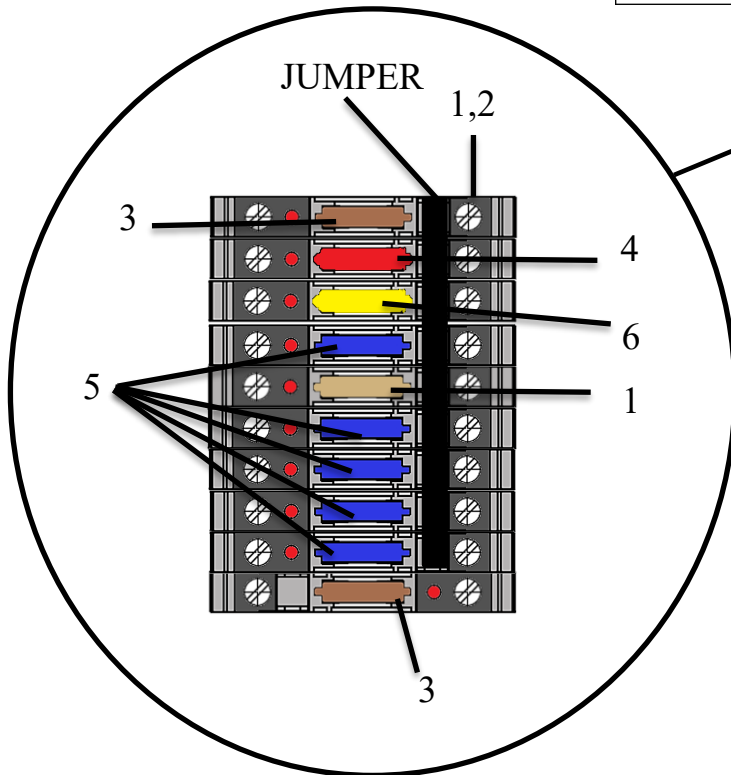
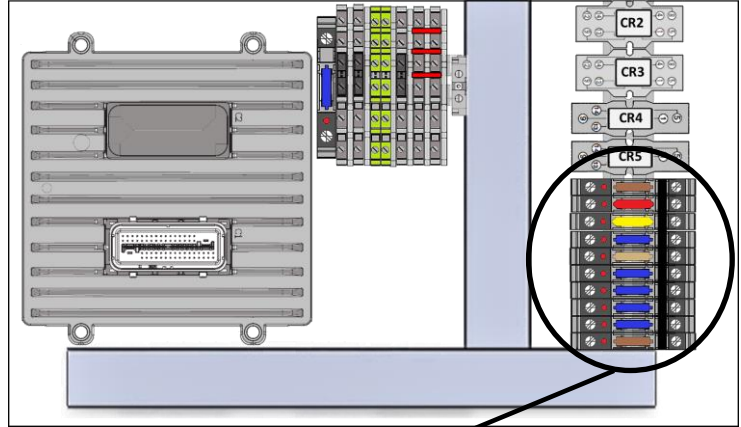
ID #	PART #	PART DESCRIPTION	QUANTITY	
1	89613	CONTROLER, MC42	1	EA
2	BW10547	MC42, CABLE HARNESS	1	EA
3	89921	TERMINAL BLOCK,6 POSITION	2	EA
4	89923	TERMINAL BLOCK, GND BUSS	2	EA
5	89923	TERMINAL BLOCK,6 POSITION	3	EA
6	89926	END COVER FOR 89921	1	EA
7	88881	FUSE HOLDER AUTO STYLE DIN. RAIL MOUNT	1	EA
8	90391	15A FUSE, ATO	1	EA
9	89937	TEMINAL BLOCK, 2 POSITION, 8AWG	1	EA
10	89940	END COVER FOR 89937	1	EA

CONTROL PANEL



ID #	PART #	PART DESCRIPTION	QUANTITY	
1	88345-1	RELAY, 2PTDT, 12VDC, W/MOMENTARY BTN	2	EA
1A	88347	BASE, RELAY	2	EA
2	88346-1	RELAY, SPDT, 12VDC, W/MOMENTARY BTN	2	EA
2B	88348	BASE, RELAY	2	EA

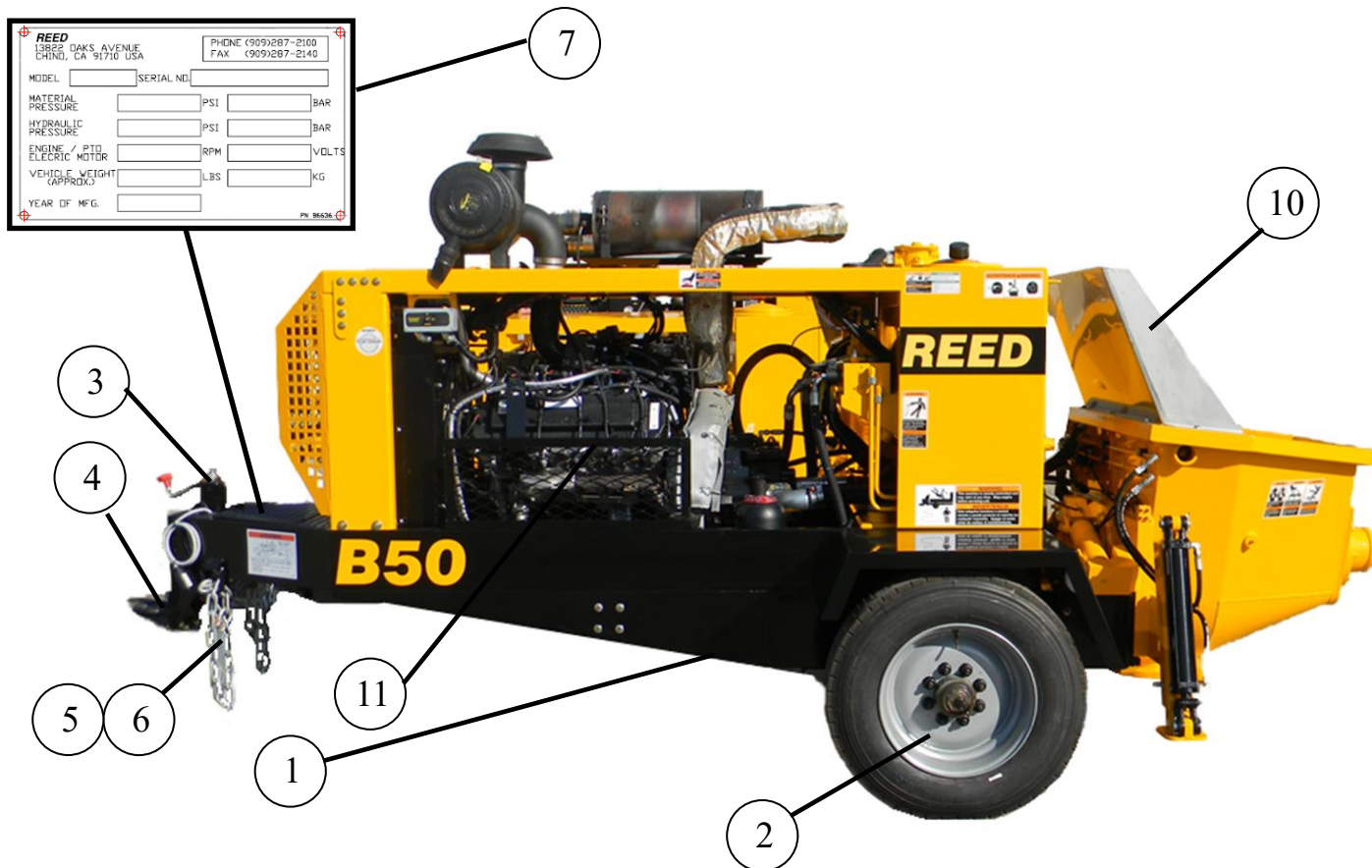
CONTROL PANEL



ID #	PART #	PART DESCRIPTION	QUANTITY	
1	88881	FUSE HOLDER AUTO STYLE DIN. RAIL MOUNT	10	EA
2	88881-B	JUMPER FIXED BRIDGE	REF	
3	90392	5A FUSE,ATO (FU3,F12)	2	EA
4	800449	10A FUSE,ATO (FU4)	1	EA
5	90391	15A FUSE,ATO (FU6,FU8,FU9,F10,F11)	5	EA
6	800448	20A FUSE,ATO (FU5)	1	EA

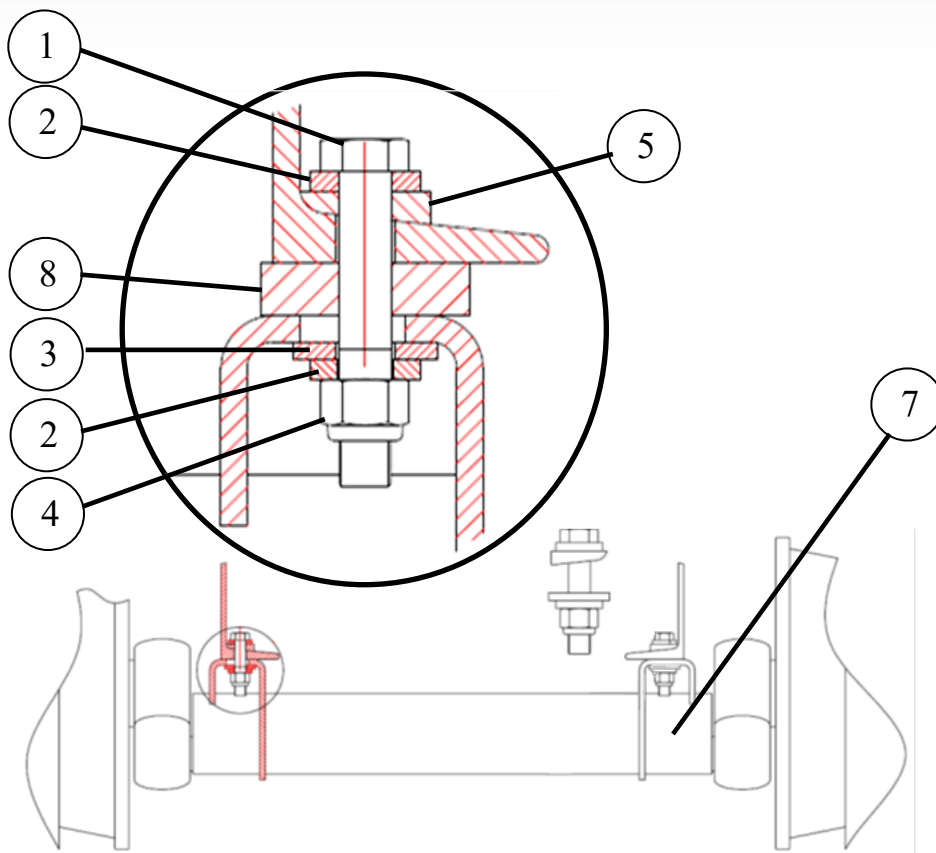
FRAME INSTALLATION

FRAME, TIRES, JACK, AND TOW EYE



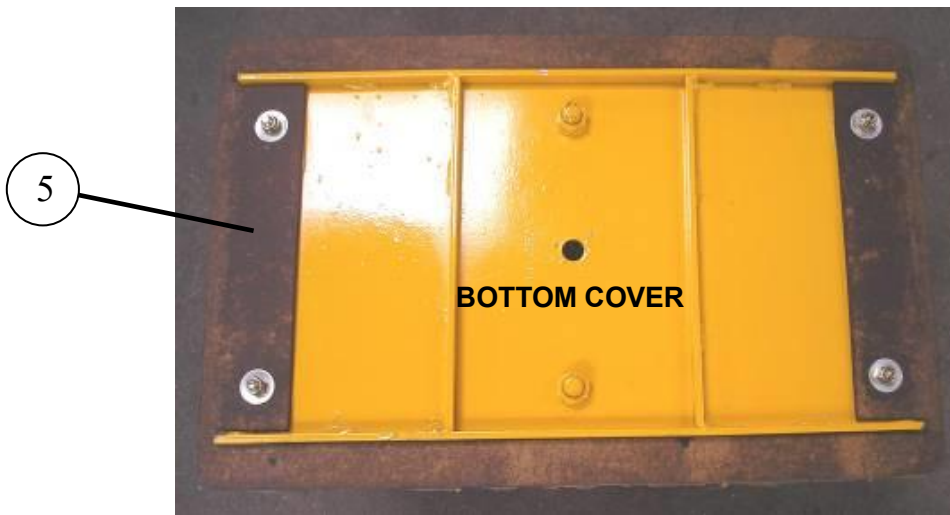
ID #	PART #	PART DESCRIPTION	QUANTITY	
	89834	FRAME ASSY B50G	REF	
1	89833	FRAME WELDMENT 36" STROKE, B50G	1	EA
2	86923	TIRE & WHEEL ASSY 215/75R17.5	2	EA
3	85527	JACK WELDMENT	1	EA
4	87037	DRAW BAR	1	EA
5	87086	CHAIN, ASSY.	2	FT
6	87085	SHACKLE ANCHOR, SCREW PIN, 1/2 6600	4	EA
7	803326	SERIAL NUMBER PLATE (BLANK)	1	EA
8	89840	CONTROL PANEL ASSY	1	EA
9	800347	HORN, 12V	1	EA
10	85390	SPLASH GUARD	1	EA
11	90508	GUARD, ENGINE	2	EA

9000LB AXLE MOUNTING ASSEMBLY FRONT



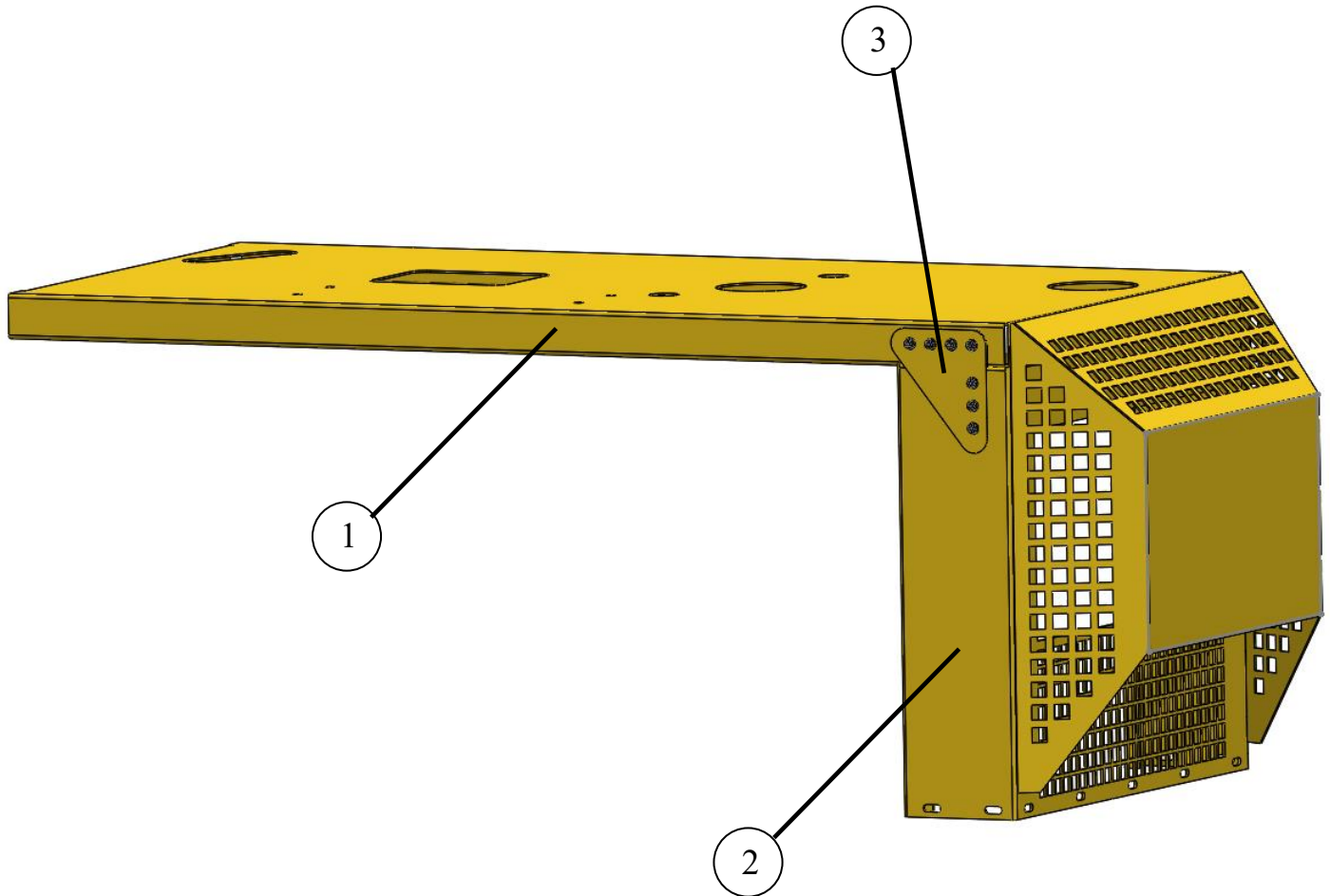
ID #	PART #	PART DESCRIPTION	QUANTITY	
		AXLE MOUNTING HARDWARE KIT	1	EA
1		½" -20 X 2.5 HHCS GR8	4	EA
2		½" SAE WASHER	8	EA
3		½" USE WASHER	4	EA
4		½" SAE WASHER	4	EA
5		½" - 20 LOCK NUT	4	EA
6		½" BEVELED WASHER	4	EA
7	86924	AXLE, TORSION, 9000 LB-W/PLASTIC OIL CAP	1	EA
8	89011	SPACER AXLE MOUNT FRONT	2	EA

FLUSH BOX COVERS

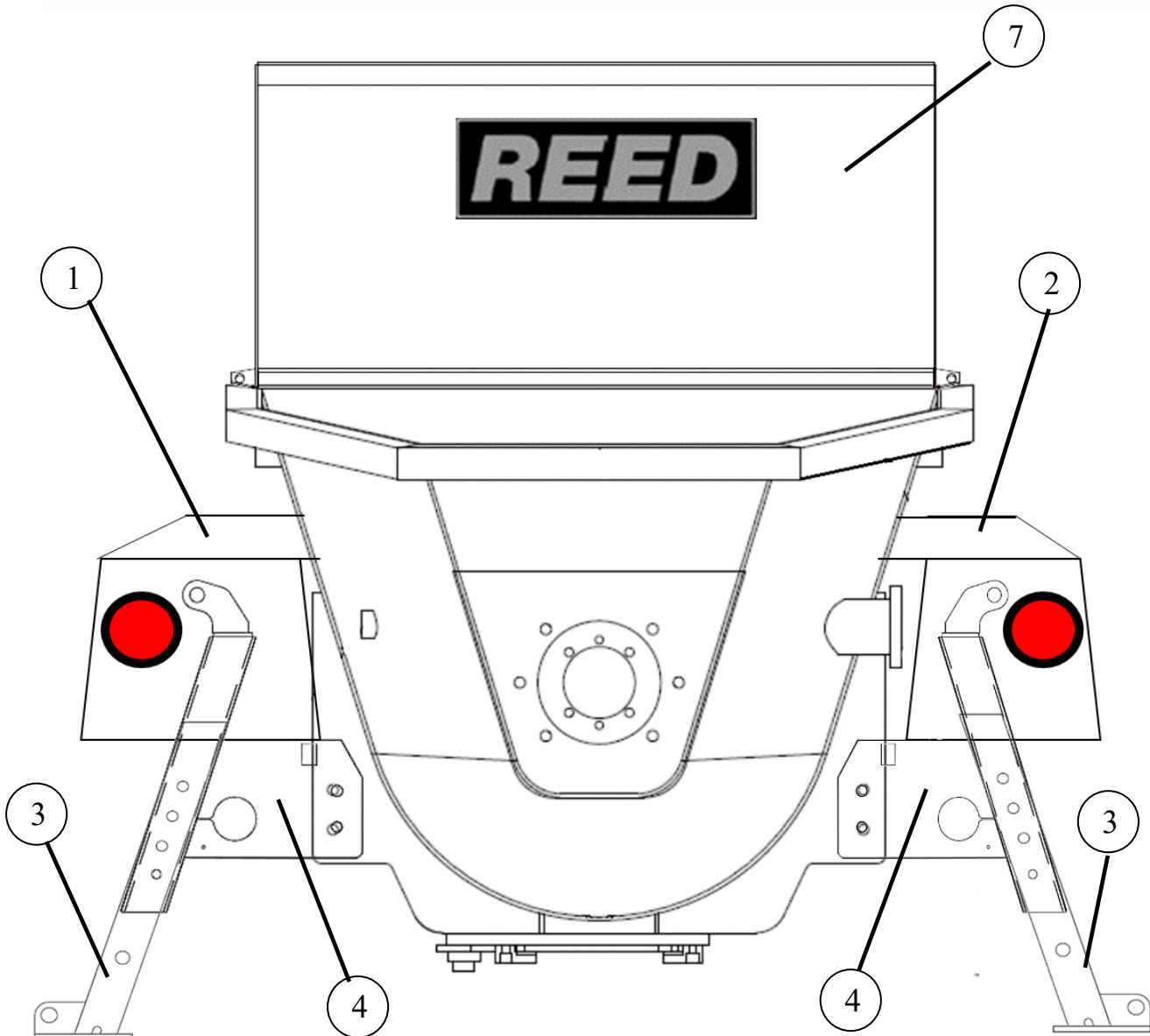


ID #	PART #	PART DESCRIPTION	QUANTITY	
1	86010	COVER WELDMENT, FLUSH BOX	1	EA
2	86105	KNOB	1	EA
3	79056	HANDLE	1	EA
4	800418	LANYARD, Q/R PIN	2	EA
5	87755	GASKET, FOR FLUSH BOX LID	1	EA

HOOD AND COVERS



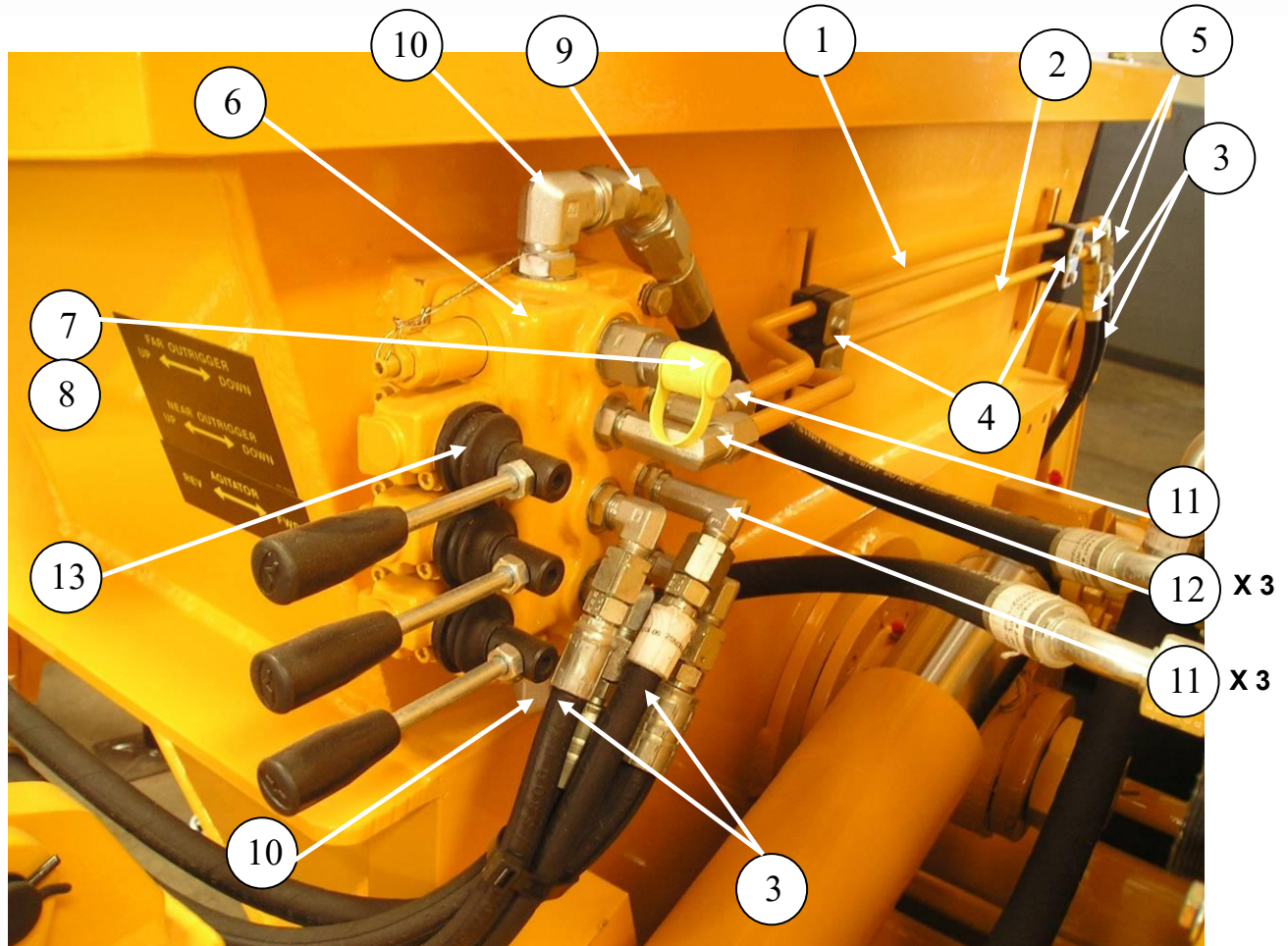
ID #	PART #	PART DESCRIPTION	QUANTITY	
1	89166	COVER TOP, B SER CUMMINS T4 PAINTED	1	EA
2	87681	COVER FRONT, B SER CUM/ PAINTED	1	EA
3	87647	GUSSET ENGINE COVER PAINTED	2	EA

FENDERS AND OUTRIGGERS

ID #	PART #	PART DESCRIPTION	QUANTITY	
1	86959	FENDER, NON-OPERATOR SIDE, B-SERIES PAINTED	1	EA
2	86960	FENDER, OPERATOR SIDE, B-SERIES PAINTED	1	EA
3	86553	OUTRIGGER WELDMNT, INNER-PAINTED	2	EA
4	86557	OUTERTUBE, O/R B & C - PAINTED	2	EA
5	85595	PIN, Q/R, 5/8 DIA X 3 1/2 L	2	EA
6	800418	LANYARD, Q/R PIN	2	EA
7	85390	SPLASH GUARD	1	EA

OPTIONS

HYDRAULIC OUTRIGGER GROUP

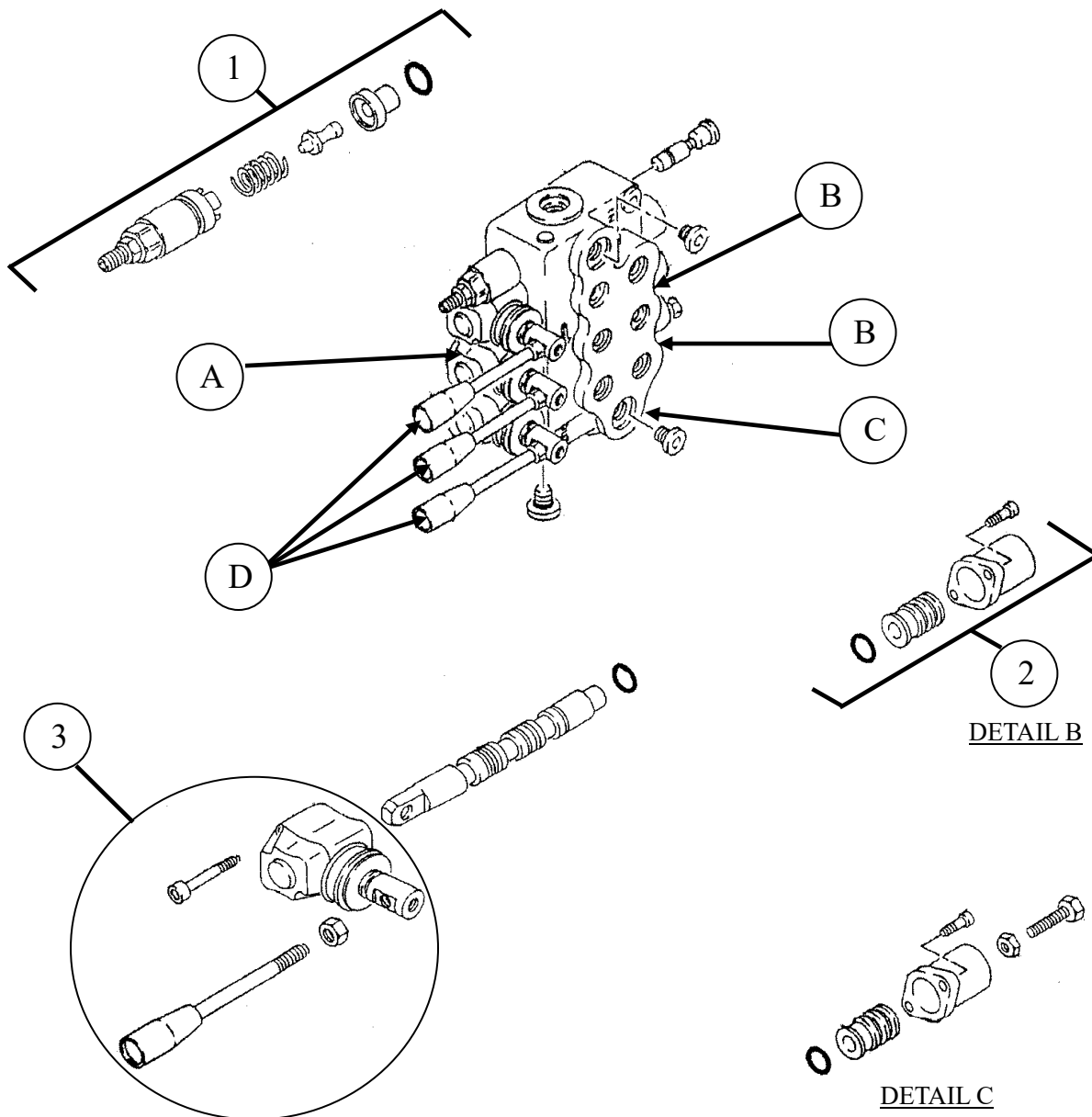


ID #	PART #	PART DESCRIPTION	QUANTITY	
	88041-O	HYD OUTRIGGER GROUP	REF	
	88041-AO	AGITATOR/OUTRIGGER GROUP	REF	
1	85685	TUBE, HYD, OUTRIGGER - PAINTED	1	EA
2	85686	TUBE, HYD, OUTRIGGER - PAINTED	1	EA
3	85659-010	HOSE, 4M2T-6FJX-6FJX-33.00	4	EA
4	801902-020	TUBE CLAMP – 3/8 IN – HALF	4	EA
5		MJ-MJ90-6-6	2	EA
6	74471	VALVE, MAUNAL-3 SPOOL	1	EA
7	800083	FITTING, MINI CHECK (PORT)	1	EA
8	86750	ADAPTER, MB-FB-8-6	1	EA
9	86749	FITTING, MJ-FJX45-10-10	1	EA
10	86746	FITTING, 90° MB-MJ-90-8-10	2	EA
11	86748	FITTING, 90° MB-MJ90-6-6	3	EA
12	86747	FITTING, 90° MB-MJ90LL-6-6	3	EA
13	74471-B	BOOT, COVER	3	EA

OPTIONS

3 SPOOL CONTROL VALVE

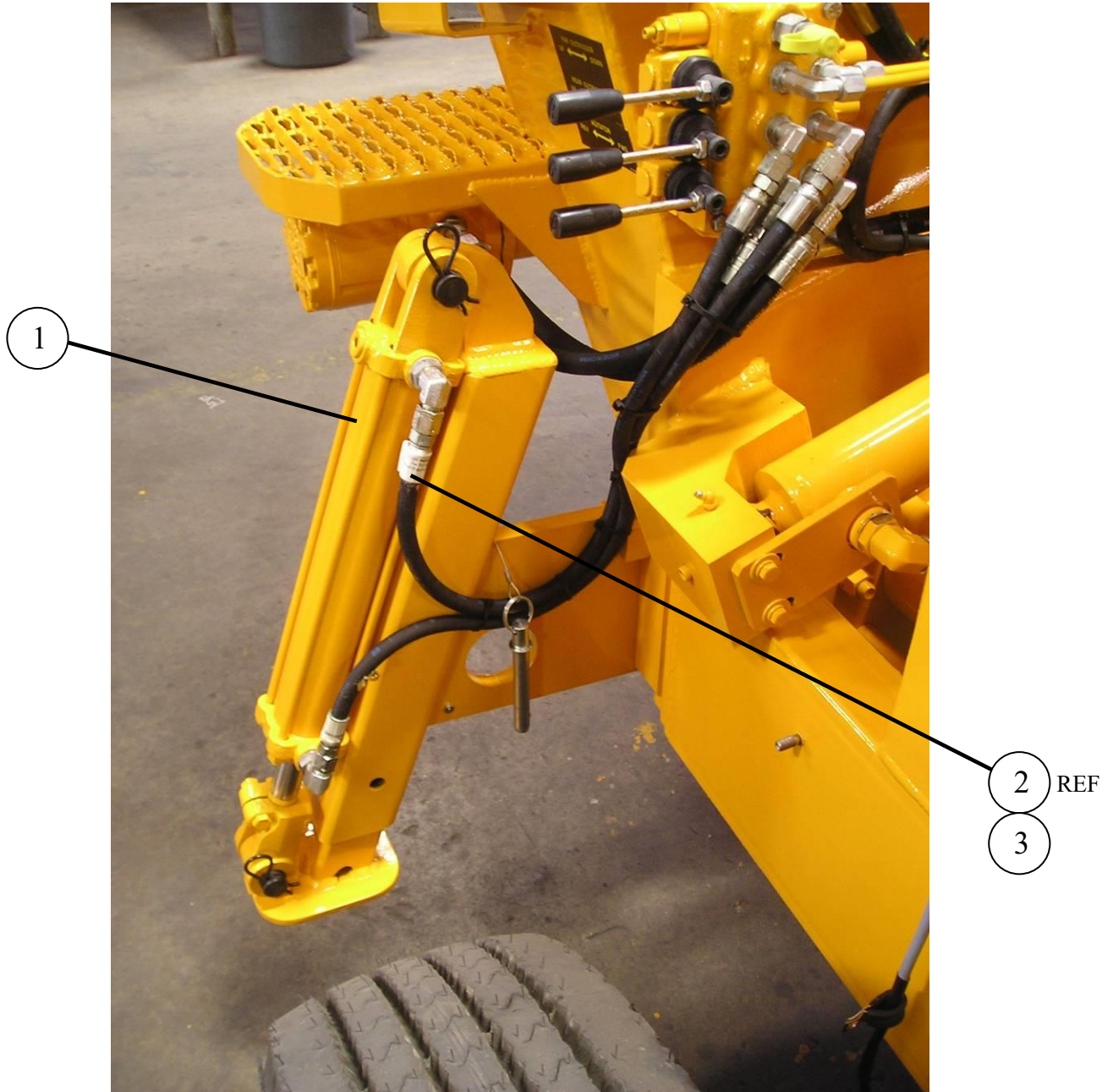
DETAIL A



ID #	PART #	PART DESCRIPTION	QUANTITY	
1	85706	RELIEF, CARTRIDGE	1	EA
2	74469	DETENT KIT, #11 WALVOIL VALVE	A/R	EA
3	74471-020	VALVE ACTUATOR FOR 74471, 74585, 74584 VALVES	A/R	EA

OPTIONS

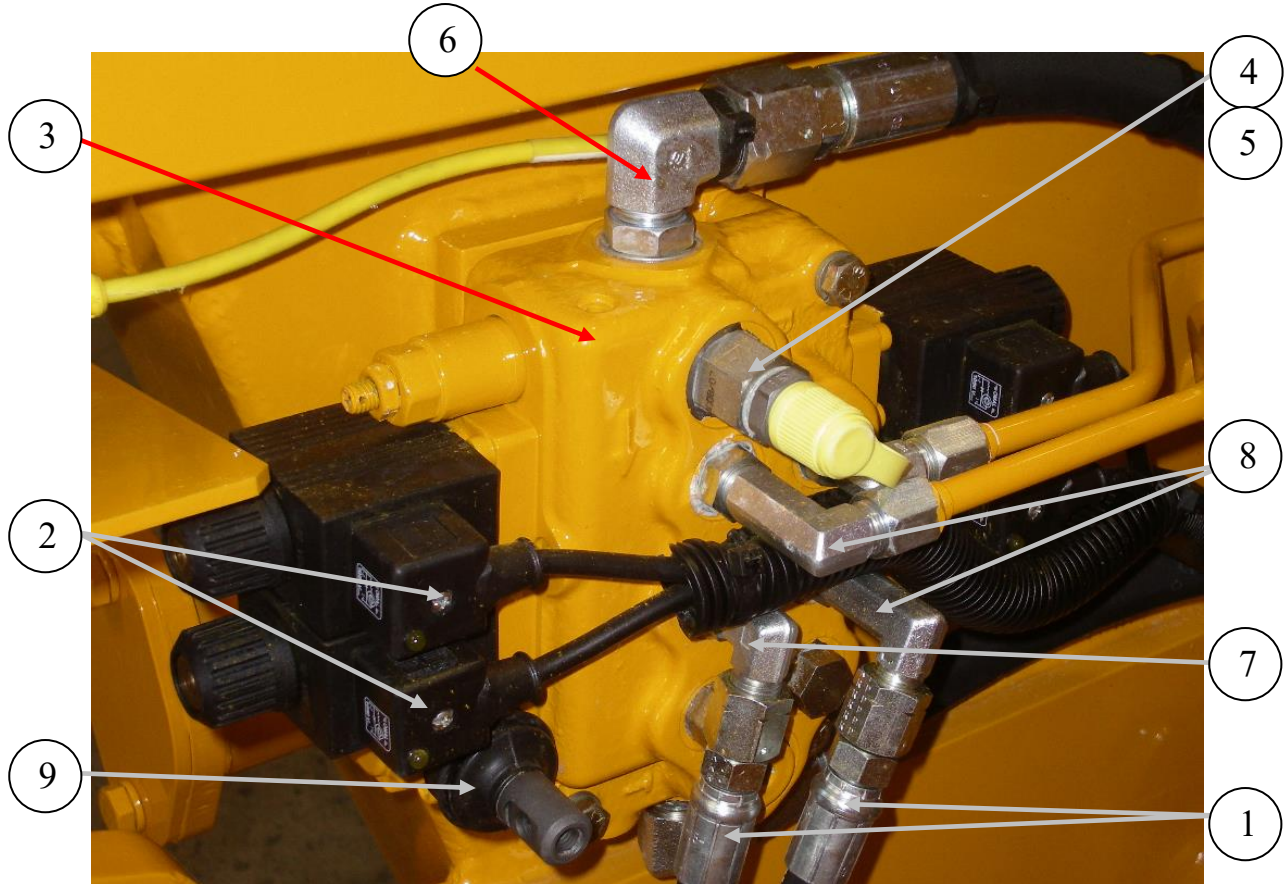
HYDRAULIC OUTRIGGER GROUP



ID #	PART #	PART DESCRIPTION	QUANTITY	
1	86574	HYD CYL – 2.00 BORE X 12.00 STR – PAINTED	2	EA
2	85659-010	HOSE, 4M2T-6FJX-6FJX-33.00	REF	EA
3	86728-008	FITTING, 90° MB-MJ90-8-6	4	EA

OPTIONS

ELECTRIC HYDRAULIC OUTRIGGER



ID #	PART #	PART DESCRIPTION	QUANTITY	
	88041-AO1	HYD OUTRIGGER ASSEMBLY, REMOTE	REF	EA
1	85659-010	HOSE, 4M2T-6FX-6JX-33.00	2	EA
2	87540	CABLE SOLENIOD VALVE, TURCK	3	EA
3	88026	VALVE, 3SPOOL, 2EA. VDC SPOOL	1	EA
4	800083	FITTING, MINI CHECK (PORT)	1	EA
5	86750	ADAPTER, MB-FB-8-6	1	EA
6	86749	FITTING, MJ-FJX45-10-10	1	EA
7	86748	FITTING, 90° MB-MJ90-6-6	3	EA
8	86747	FITTING.90° MB-MJ90LL-6-6	3	EA
9	74471-B	BOOT, COVER	3	EA

OPTIONS

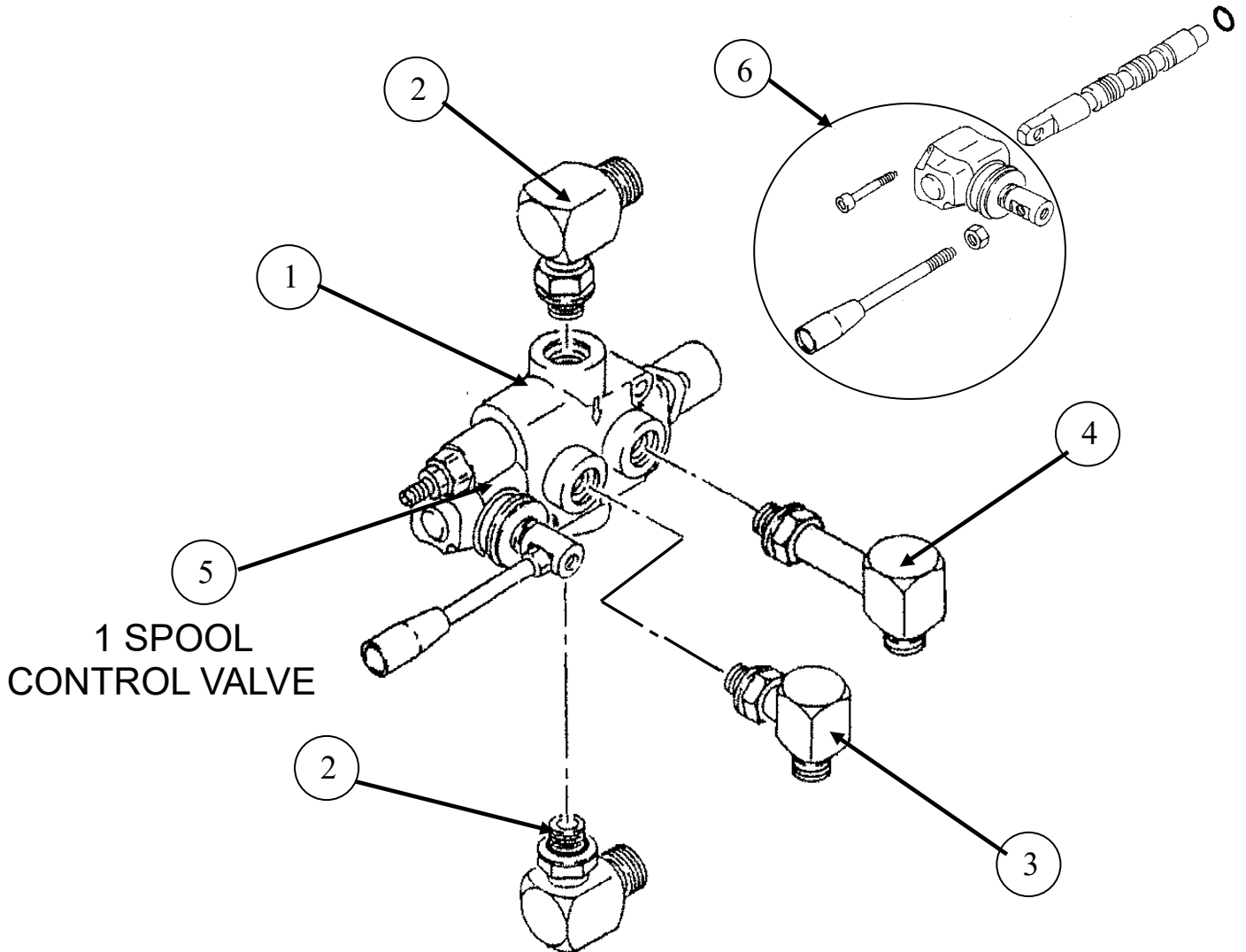
ELECTRIC HYDRAULIC OUTRIGGER CONTROLS



ID #	PART #	PART DESCRIPTION	QUANTITY	
1	801206	ENCLOSURE 6X3X3, FIBERGLASS	2	EA
2	88163	DECAL OUTRIGGER UP/DOWN	2	EA
3	BW10205	SWITCH, 3 POSITION MOM/SPDT	2	EA
4	BW10361	SW, SEALING BOOT	2	EA
5	88164-A	BRACKET OUTRIGGER CONTROL MOUNT	2	EA
6	73531	90° STRAIN RELIEF	4	EA
7	10528	NUT 1/2", BONDING TYPE LOCK	4	EA

OPTIONS

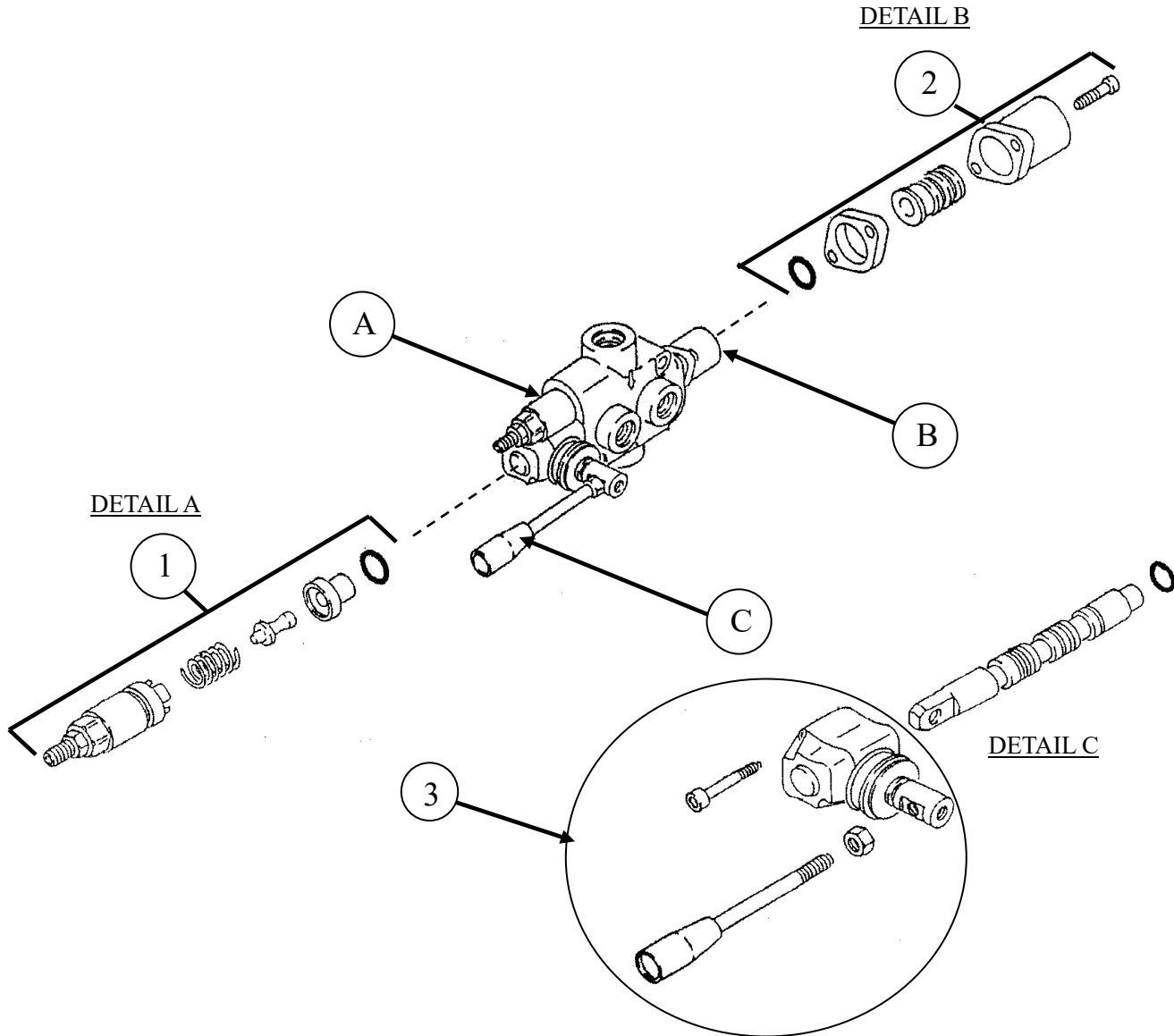
AGITATOR GROUP



ID #	PART #	PART DESCRIPTION	QUANTITY	
1	74584	VALVE, MAUNAL-1 SPOOL	1	EA
2	86746	FITTING, 90° MB-MJ-90-8-10	2	EA
3	86748	FITTING, 90° MB-MJ90-6-6	1	EA
4	86747	FITTING, 90° MB-MJ90LL-6-6	3	EA
5	74471-B	BOOT, COVER	1	EA
6	74471-020	VALVE ACTUATOR FOR 74471, 74585, 74584 VALVES	A/R	EA

OPTIONS

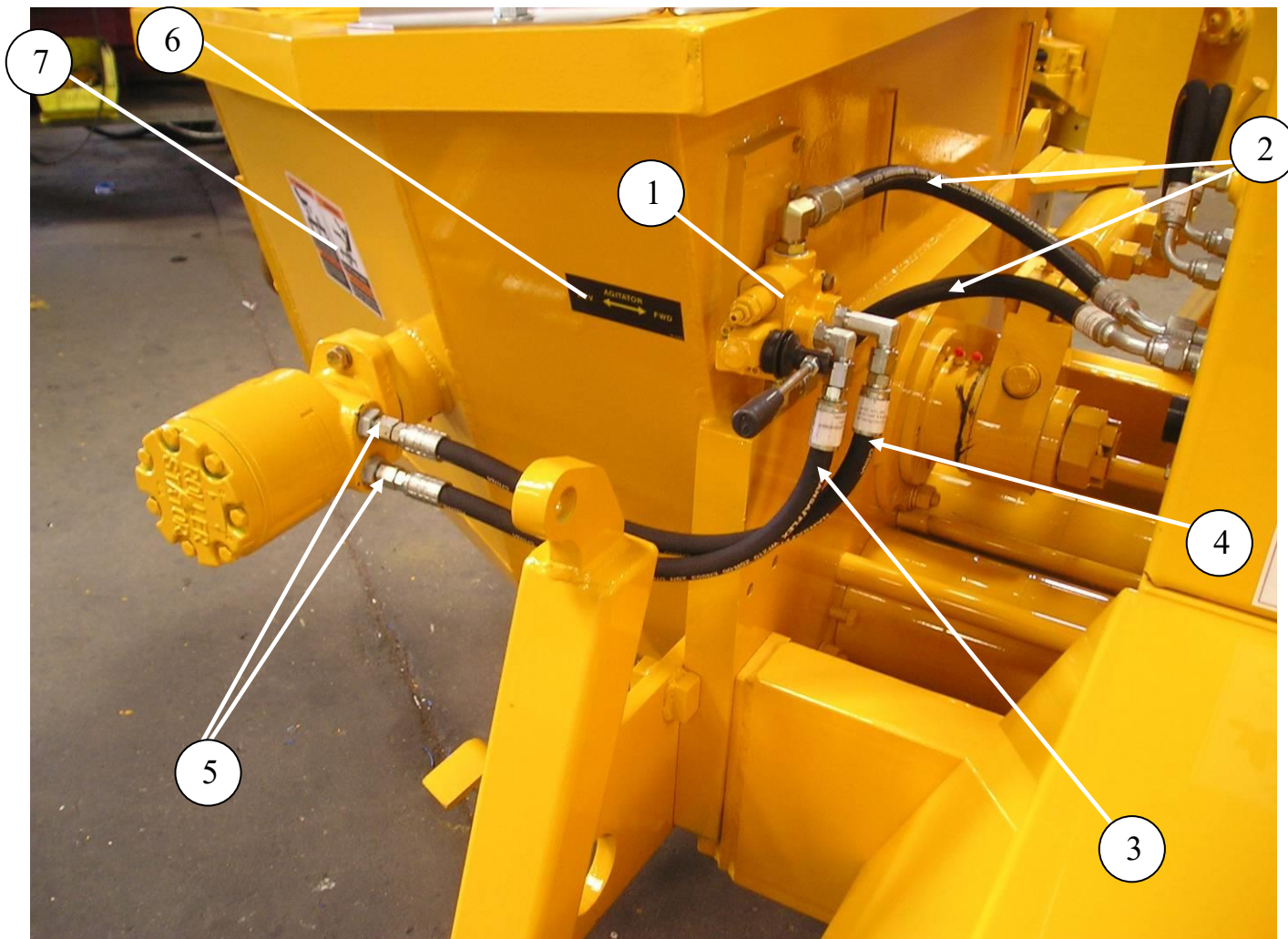
1 SPOOL AGITATOR VALVE



ID #	PART #	PART DESCRIPTION	QUANTITY	
1	85706	RELIEF, CARTRIDGE	1	EA
2	74469	DETENT KIT, #11 WALVOIL VALVE	A/R	EA
3	74471-020	VALVE ACTUATOR FOR 74471, 74585, 74584 VALVES	A/R	EA

OPTIONS

AGITATOR GROUP CONTINUED



ID #	PART #	PART DESCRIPTION	QUANTITY	
1	74584	VALVE, MANUAL-1 SPOOL	REF	EA
2	85657-016	HOSE, 8M2T-10FJX-10FJX45-20.00	2	EA
3	85658-011	HOSE, 6M2T-6FJX-6FJX-21.00	1	EA
4	85658-010	HOSE, 6M2T-6FJX-6FJX-20.00	1	EA
5		FITTING, MB-MJ-10-6	2	EA
6	85845	DECAL, OUTRIGGERS	1	EA
7	800919	DECAL, WARNING, STAND CLEAR	2	EA

AVAILABLE OPTIONS

OUTRIGGER GROUP
 HYD OUTRIGGER
 OUTRIGGER/AGITATOR
 ELECTRIC OUTRIGGER



AGITATOR GROUP
 STD/PADDLE
 OPTION/PADDLE
 HYD/AGITATOR/SINGLE
 HYD/AGITATOR/TRIPLE



RADIO REMOTE

AARCOMM 2-WAY
 RADIO W/STROKE
 COUNTER AND
 VOLUME INDICATOR
 (IF EQUIPPED)

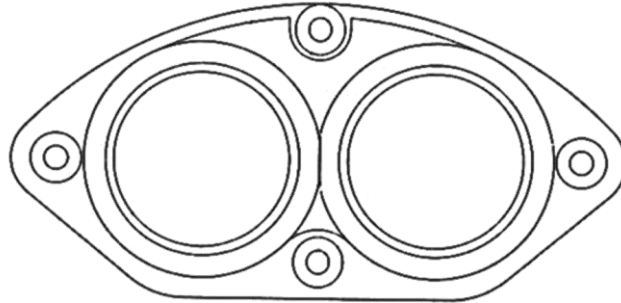
50' CABLE REMOTE,
 100' CABLE REMOTE
 AVAILABLE



LIFTING KIT

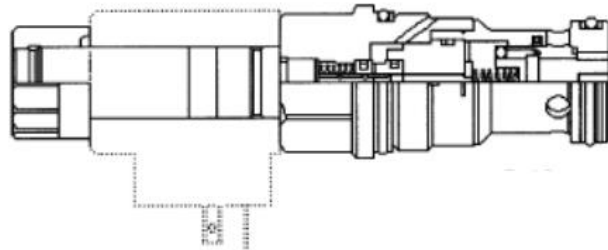


CARBIDE WEAR PARTS
WEAR RING/CARBIDE
WEAR PLATE/CARBIDE



ELECTRIC VOLUME/FLOW CONTROL

RADIO CONTROL OF
VOLUME
(IF EQUIPPED)



WATER PUMP WASH PUMP INSTAL
WASH PUMP ASSY



VIBRATOR KIT
OLI KIT





TIRE & WHEEL ALUMINUM 9000 LB



AUTO LUBE
STEEL TUBING 12 PORT
PLASTIC TUBING 12 PORT

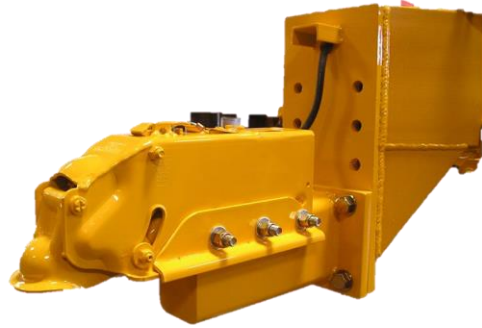


MANUAL LUBE BLOCK

REMOTE EMERGENCY STOP



SURGE BRAKE ASSY 9000LB
2" BALL



3" PINTLE



HITCH BALL
2"
2 5/16"



REINFORCED HOPPER

