



XT39R4V00

13822 Oaks Avenue
Chino, CA 91710
909-287-2100
www.reedpumps.com

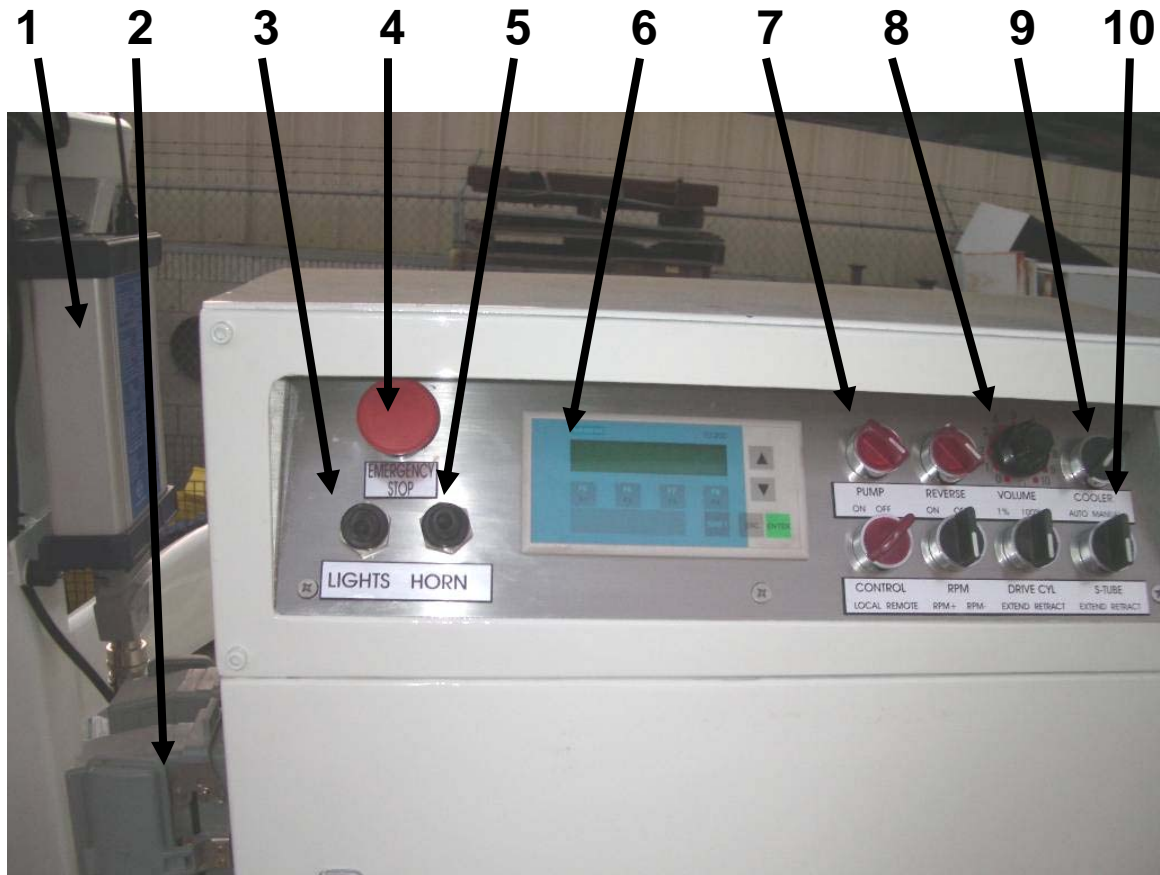
SPARE PARTS

The following is a spare parts list of recommended components to maintain in stock to support the concrete pump. If technical issues arise, please refer to the complete parts manual and contact the local dealer for support

CONTROL SYSTEM	2
CONTROL BOX	3
CLAMPS	4
OUTLET O-RINGS.....	7
CONCRETE PISTON ASSEMBLY	8
AGITATOR ASSEMBLY.....	9
HYDRAULIC CHECK HOSES AND GAUGES.....	13
HYDRAULIC FILTERS	14
GREASE NIPPLES	15
LUBRICATION SYSTEM.....	17

SPARE PARTS

CONTROL SYSTEM



No.	Description	Part Number	Material	Parent	Weight	Quantity
8	potentiometer	2-2K				1
NA	sensor,proximity sensor	XS1-M18DA210				1
NA	coil,24vdc 1.25a	900021389.E-66				1

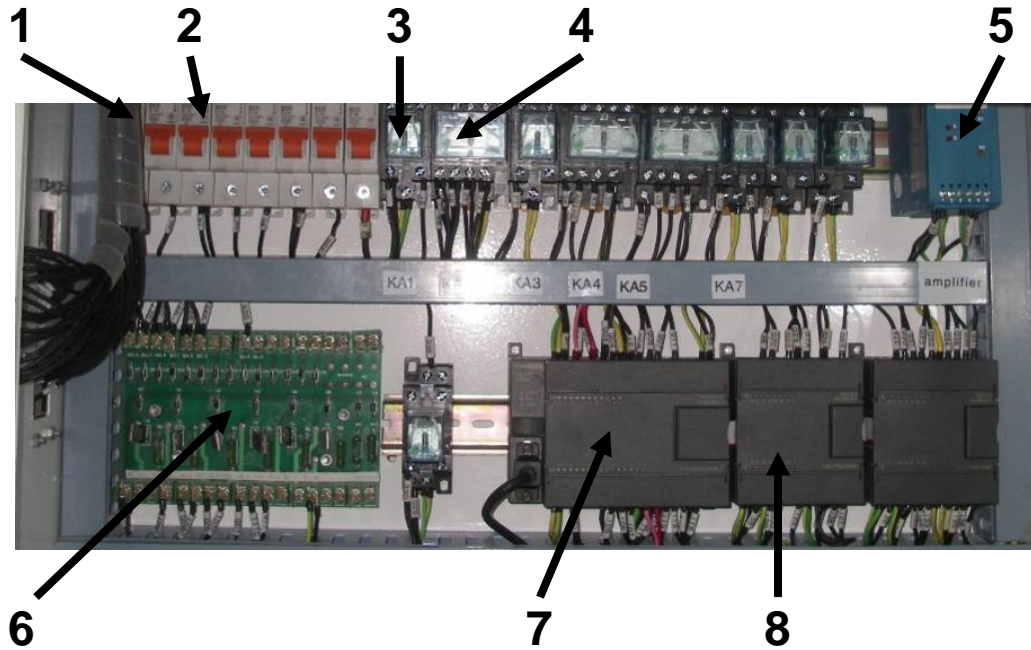


XT39R4V00

13822 Oaks Avenue
Chino, CA 91710
909-287-2100
www.reedpumps.com

SPARE PARTS

CONTROL BOX



No.	Description	Part Number	Material	Parent	Weight	Quantity
1	breaker,circuit breaker	BKNIP/16A		XBC39.7		1
2	breaker,circuit breaker	BKNIP/10A		XBC39.7		1
3	relay	LY2NJ24V		XBC39.7		1
4	relay	LY4NJ24V		XBC39.7		1

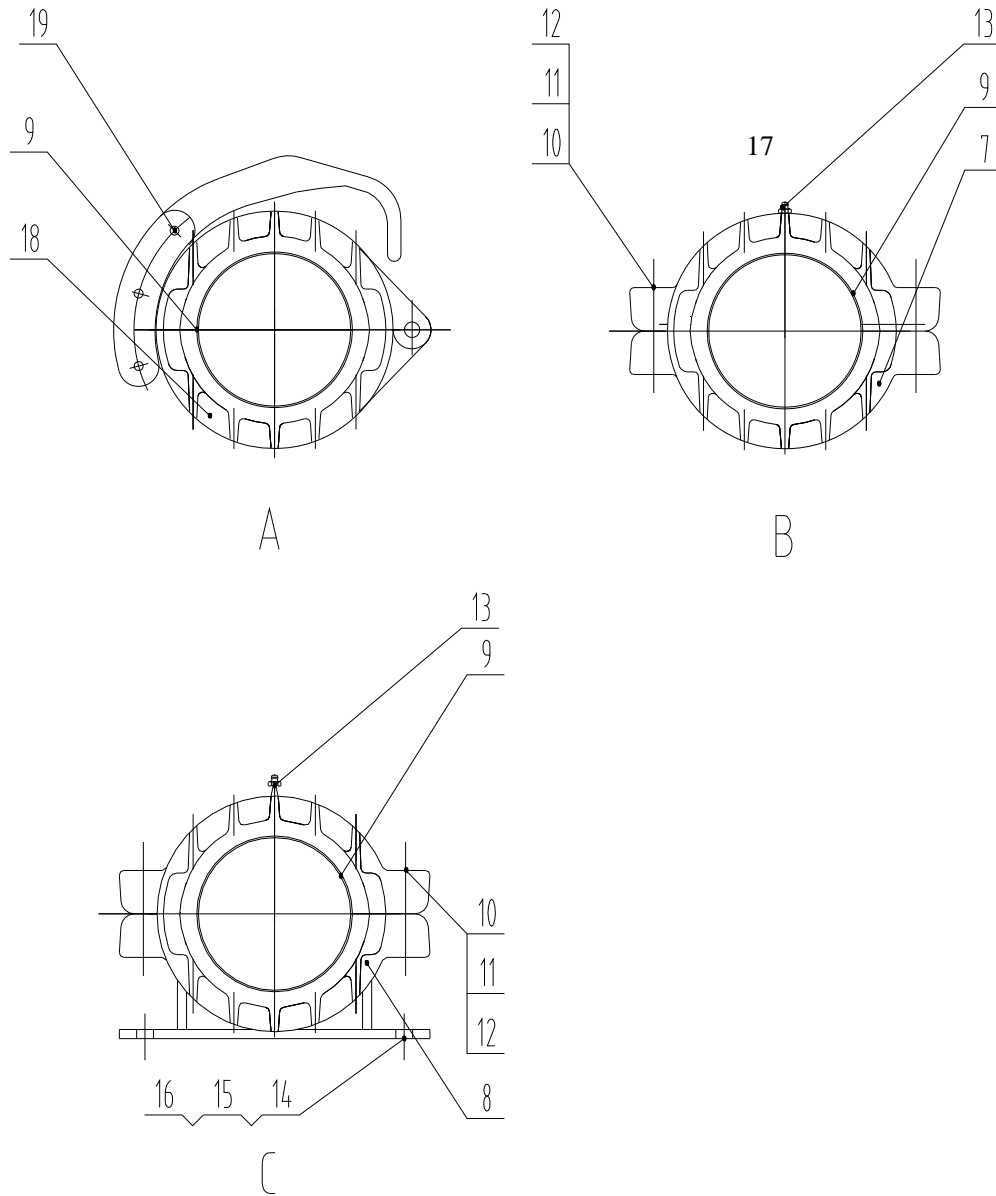


XT39R4V00

13822 Oaks Avenue
Chino, CA 91710
909-287-2100
www.reedpumps.com

SPARE PARTS

CLAMPS



No.	Description	Part Number	Material	Parent	Weight	Quantity
9	gasket,clamp 125mm hp	XBC39.00-2509		XBC39.11		4
18	clamp,snap 125 mm lp	XBC39.00-2518		XBC39.11		2
19	pin $\Phi 6$	XBC39.00-2519		XBC39.11		4

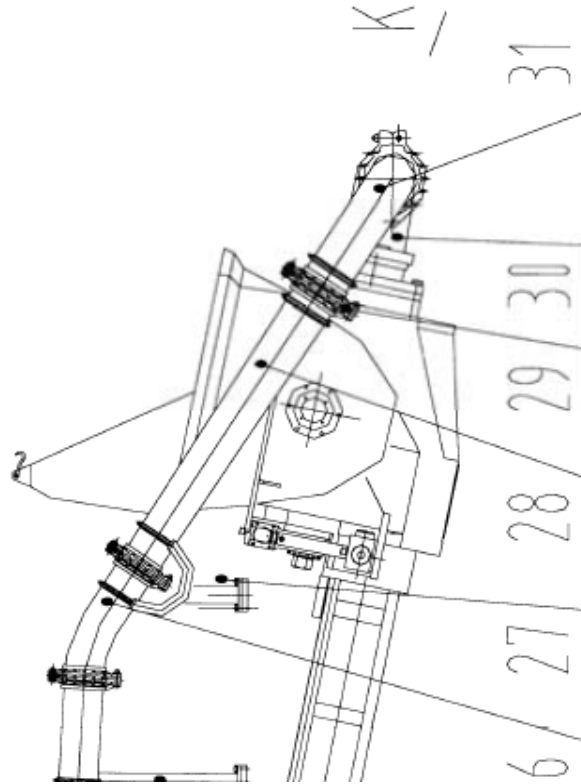


XT39R4V00

13822 Oaks Avenue
Chino, CA 91710
909-287-2100
www.reedpumps.com

SPARE PARTS

CLAMPS CONTINUED



No.	Description	Part Number	Material	Parent	Weight	Quantity
29	CLAMP,PIPE CLAMP W/GASKET HP 150MM	60S1816.14.1		BC37.3		2
NA	GASKET 150MM	XBC39.00-012				

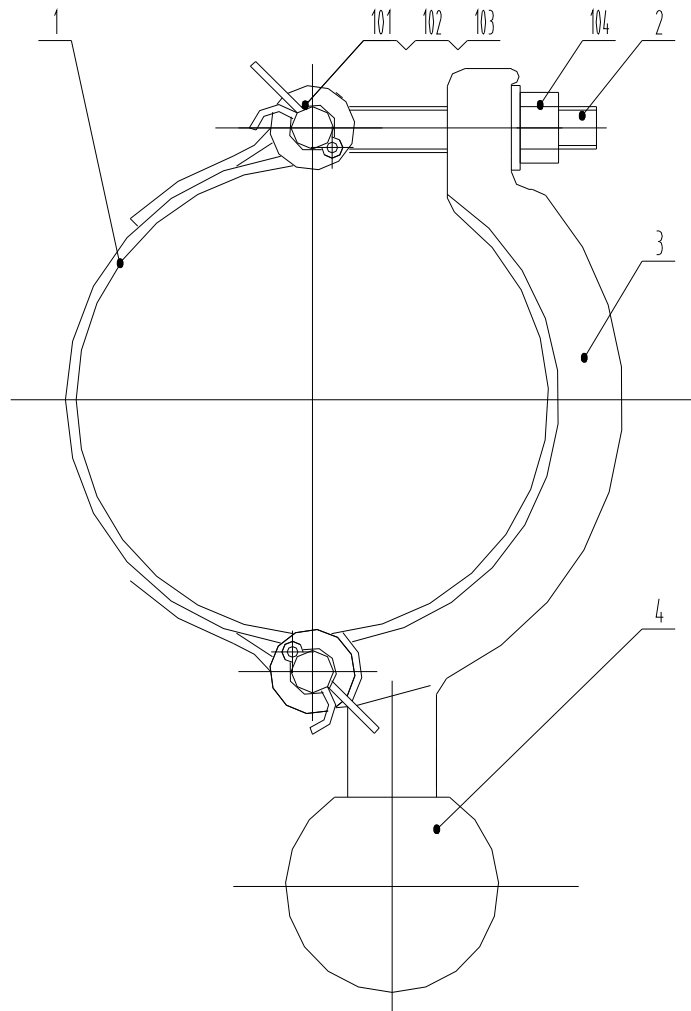


XT39R4V00

13822 Oaks Avenue
Chino, CA 91710
909-287-2100
www.reedpumps.com

SPARE PARTS

PIPE SUPPORT STRAPS



No.	Description	Part Number	Material	Parent	Weight	Quantity
1	strap	ZBC37.11.1.1-1	Q235	XBC39.11.1		4
2	bolt	ZBC37.11.1.1-2	35	XBC39.11.1		2
101	pin,cylindrical pin 12x 50	C100000003	35	XBC39.11.1		4
102	pin,cotter pin 4 x 25	C100000005	Q195	XBC39.11.1		4

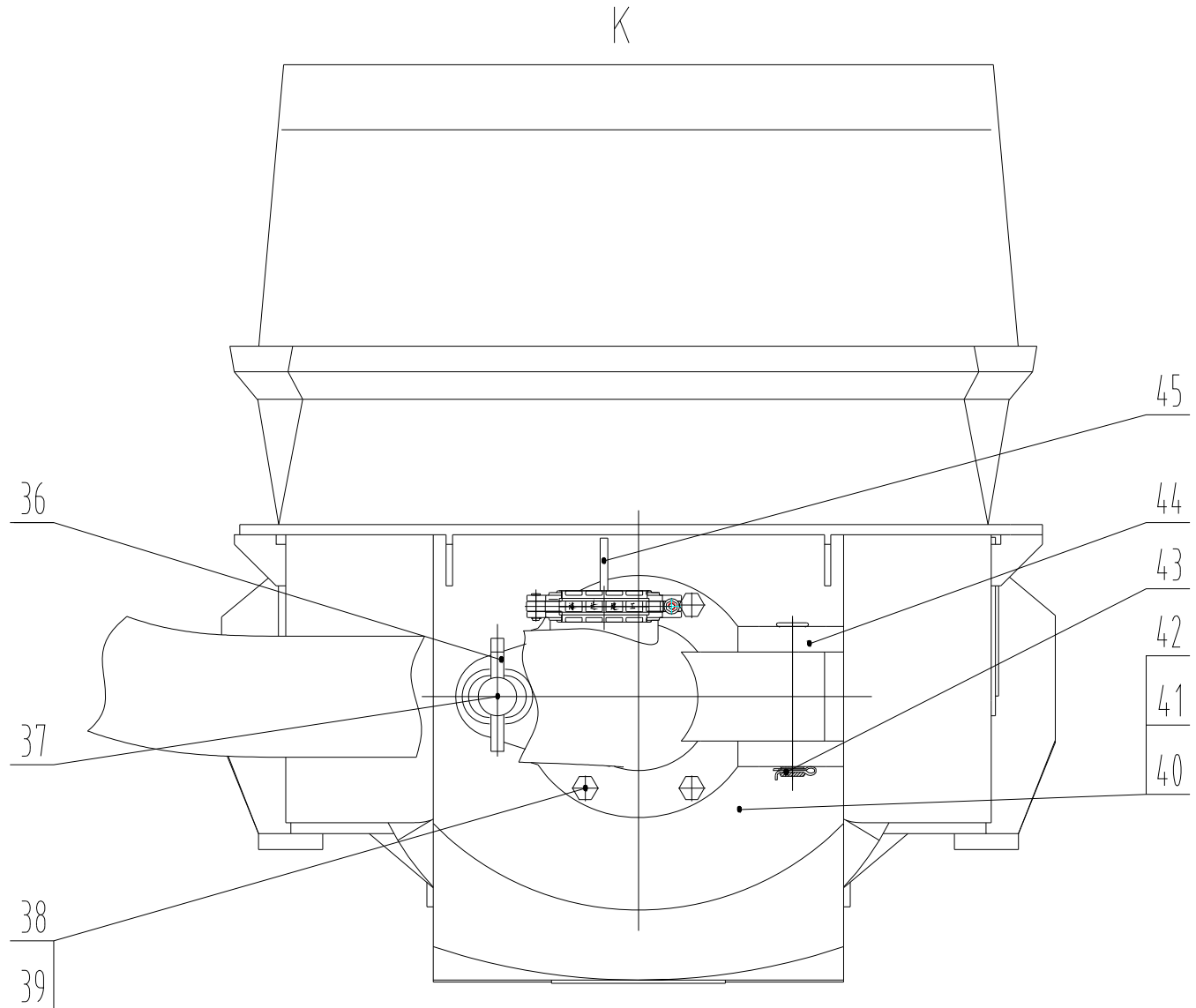


XT39R4V00

13822 Oaks Avenue
Chino, CA 91710
909-287-2100
www.reedpumps.com

SPARE PARTS

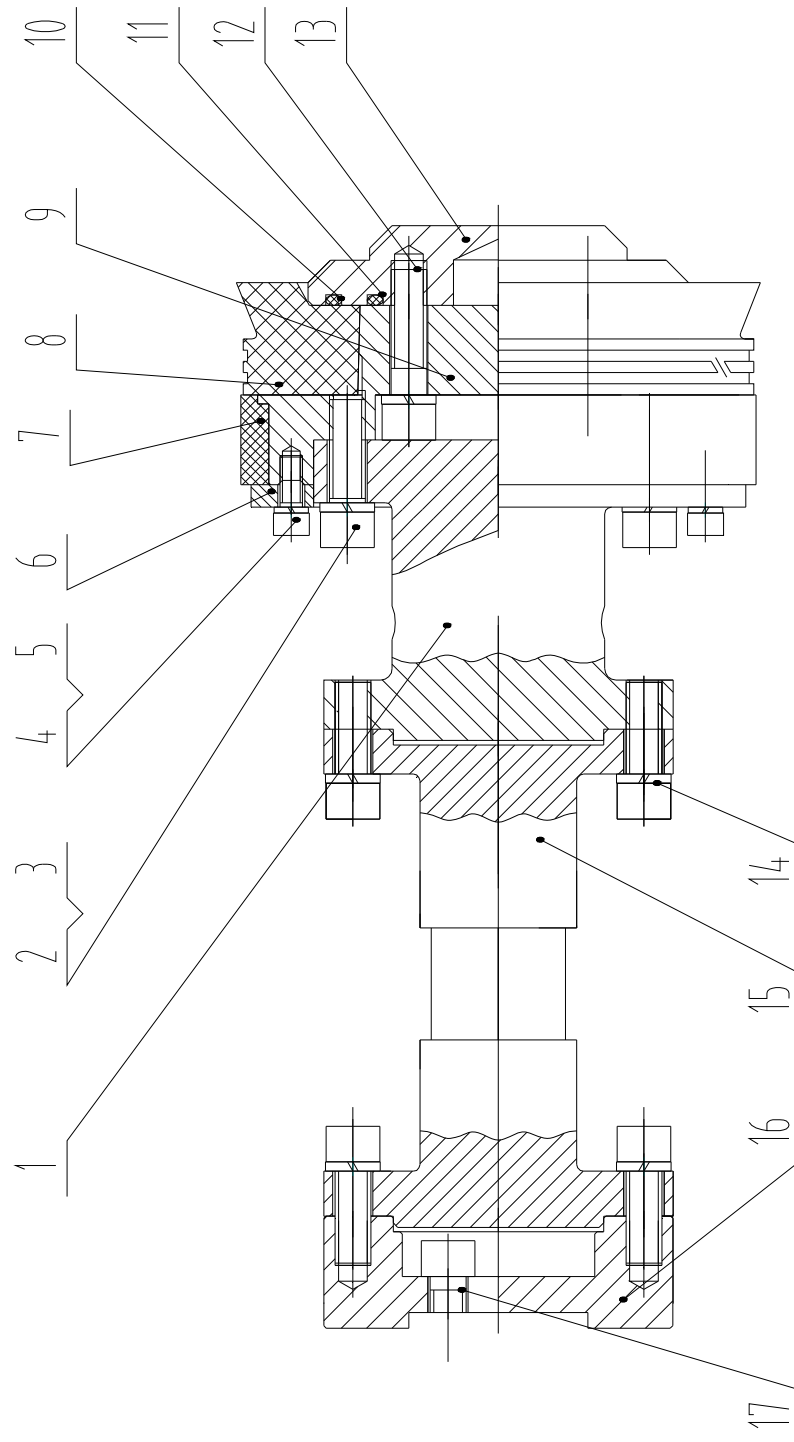
OUTLET O-RINGS



No.	Name	Code	Material	Parent	Weight	Quantity
41	O-ring $\Phi 205 \times 7$	CO00000024		BC37.3		2
42	O-ring $\Phi 258 \times 7$	CO00000026		BC37.3		2

SPARE PARTS

CONCRETE PISTON ASSEMBLY



No.	Name	Code	Material	Parent	Weight	Quantity
7	band,guide band	BC37.3.4-3		BC37.3.4		2
8	cup,piston concrete piston	BC37.3.4-4	Polyurethane	BC37.3.4		2
10	o-ring 140x5.3	CO0000020	Rubber	BC37.3.4		2
11	o-ring 103x5.3	CO0000019	Rubber	BC37.3.4		2

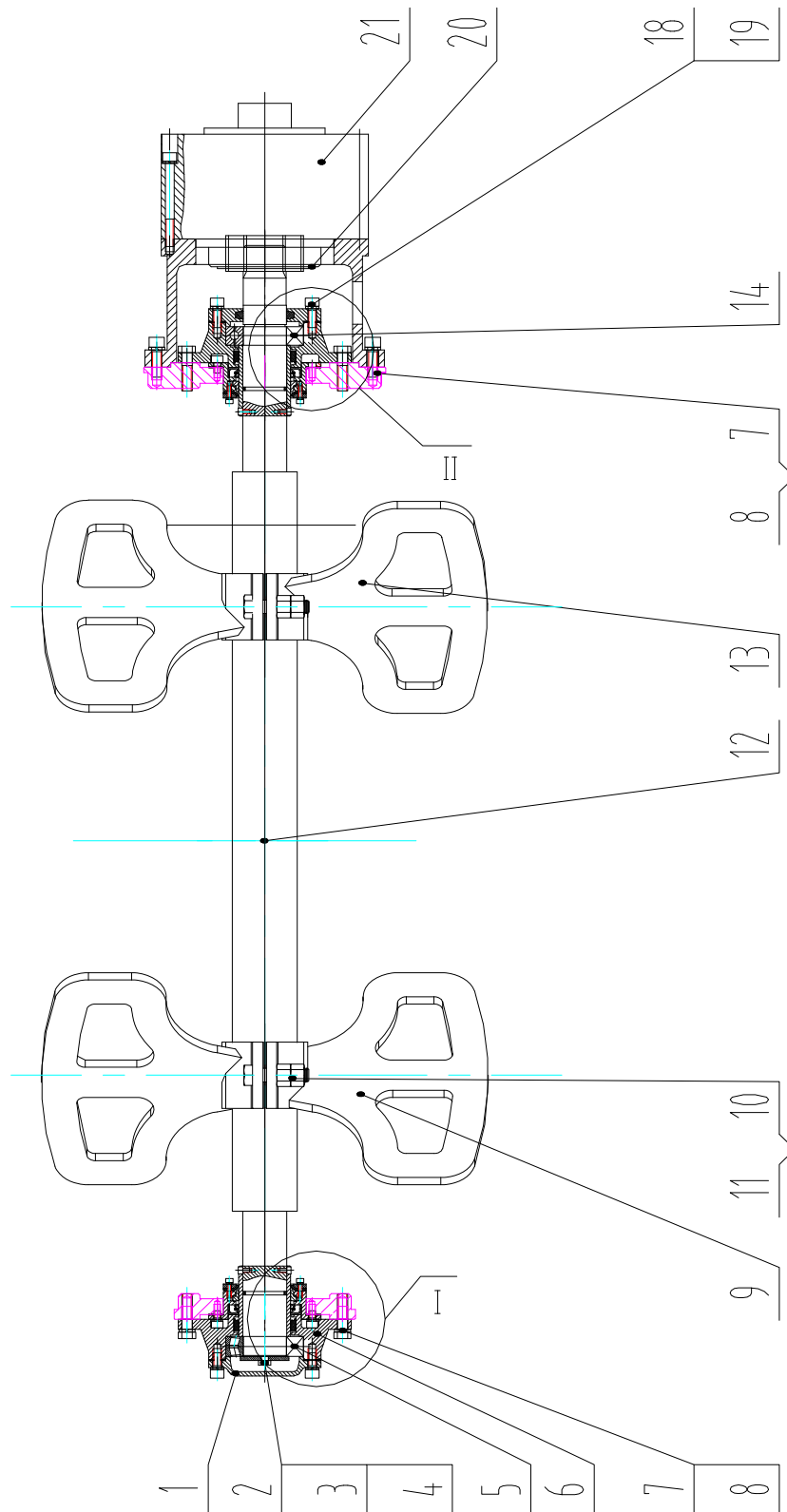


XT39R4V00

13822 Oaks Avenue
Chino, CA 91710
909-287-2100
www.reedpumps.com

SPARE PARTS

AGITATOR ASSEMBLY



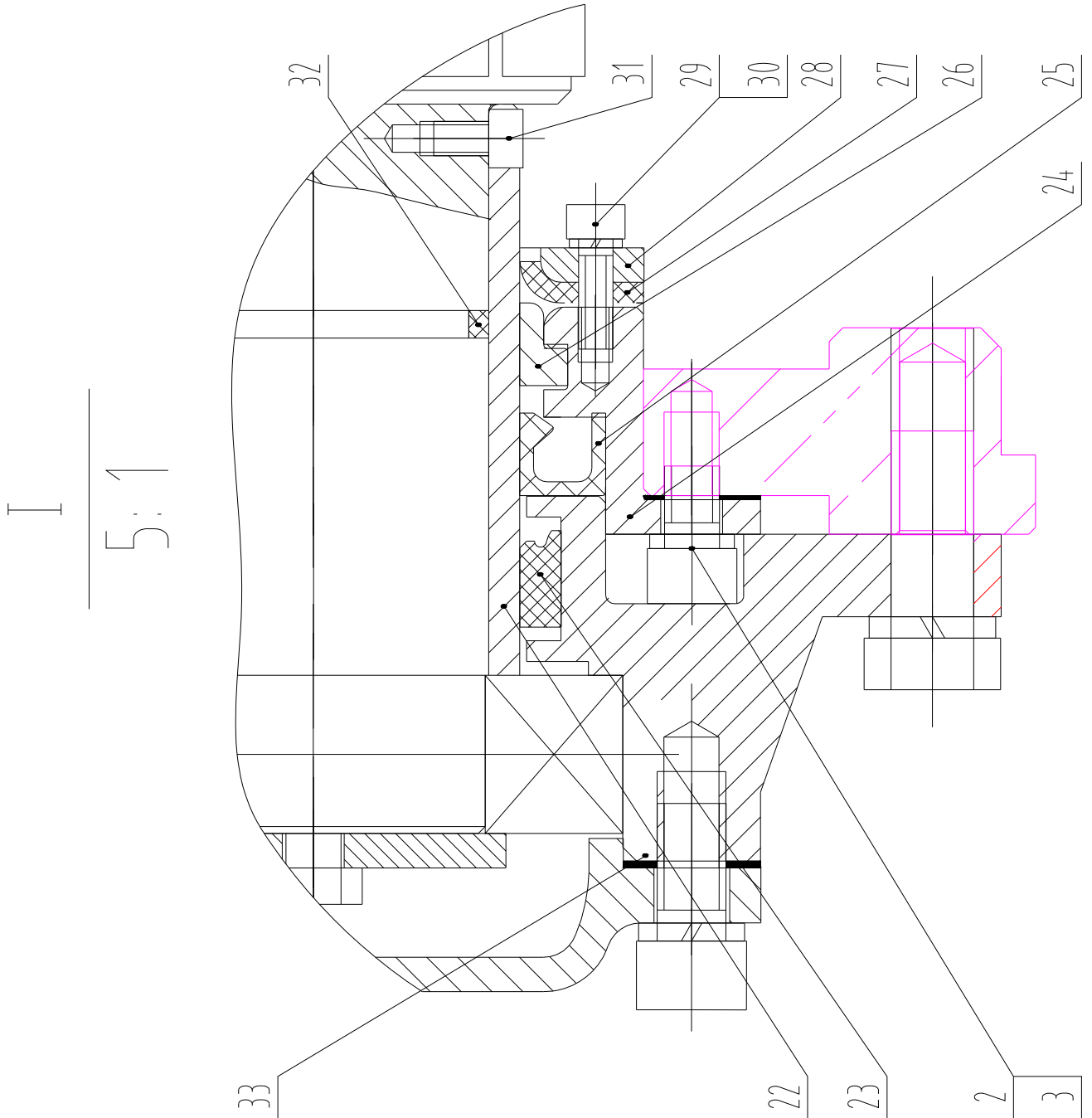


XT39R4V00

13822 Oaks Avenue
Chino, CA 91710
909-287-2100
www.reedpumps.com

SPARE PARTS

AGITATOR ASSEMBLY CONTINUED



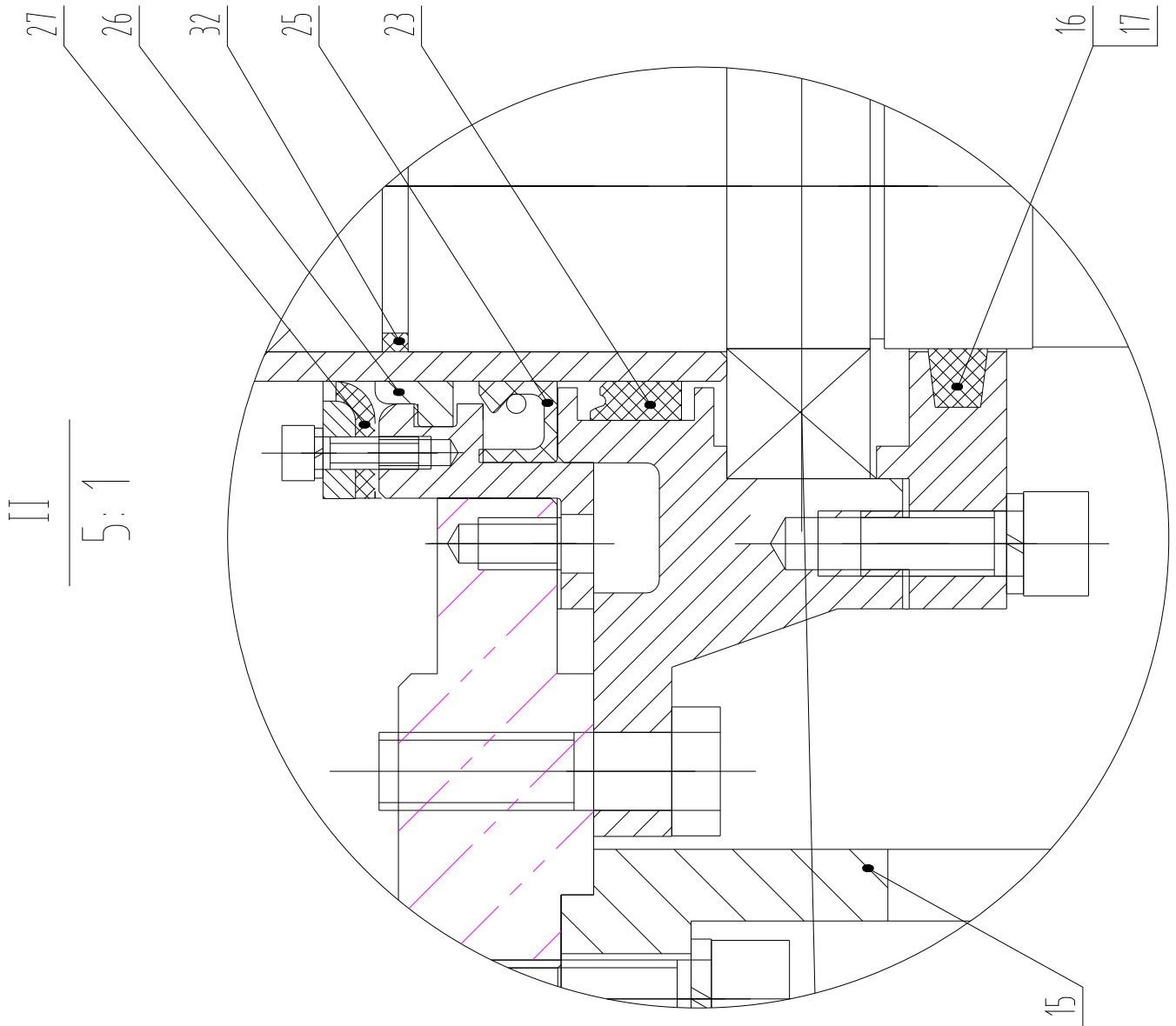


XT39R4V00

13822 Oaks Avenue
Chino, CA 91710
909-287-2100
www.reedpumps.com

SPARE PARTS

AGITATOR ASSEMBLY CONTINUED





XT39R4V00

13822 Oaks Avenue
Chino, CA 91710
909-287-2100
www.reedpumps.com

SPARE PARTS

AGITATOR ASSEMBLY CONTINUED

Number	Description	Part Number	Material	Parent	Quantity
17	felt ring	60S1816.3.2-7			1
23	ring, bearing ring Yxd60×72×14	CO00000048			2
25	Lip seal	CO00000047	GB9877.1-88		2
26	seal , Dustproof seal J60	CO00000049			2
27	Dustproof mat of rubber	60S1816.3.2-11			2
29	Washer 5	CW00000026	GB93-87		8
30	bolt M5×14	CB00000108	GB70-85		4
31	bolt M5×8	CB00000109	GB70-85		4
32	O-ringφ50×3.1	CO00000046	GB1235-76		2
33	sealing gasket	60S1816.3.2-13	0.5		2

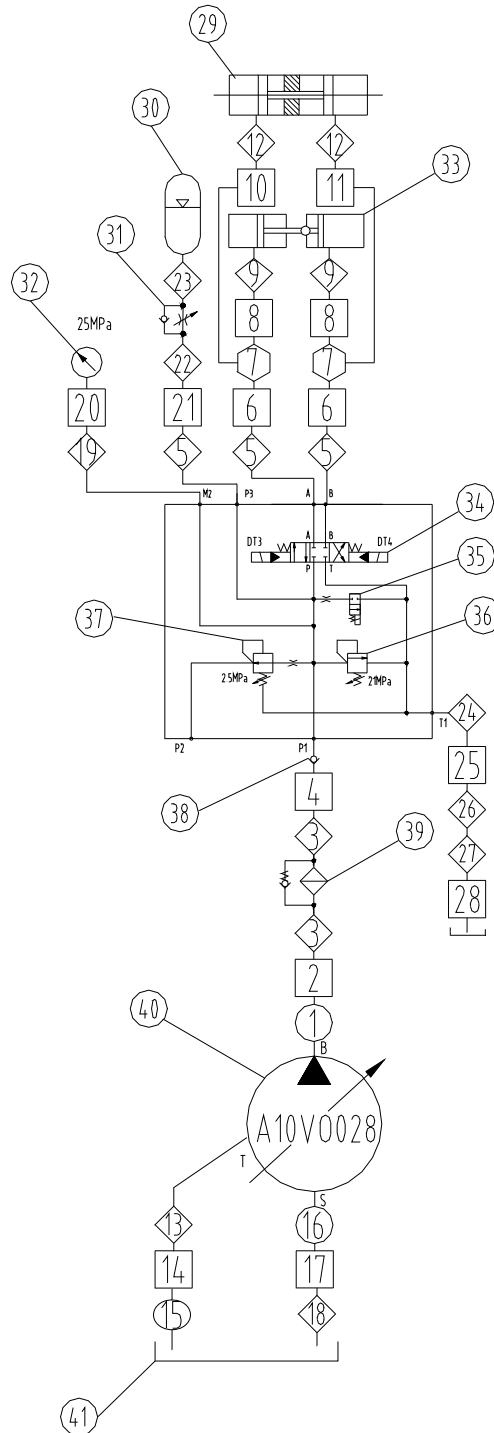


XT39R4V00

13822 Oaks Avenue
Chino, CA 91710
909-287-2100
www.reedpumps.com

SPARE PARTS

HYDRAULIC CHECK HOSES AND GAUGES



No.	Description	Part Number	Material	Parent	Weight	Quantity
42	hose,check pressure 5m	XBCY39.00-6142		XBC39.6.1		3
50	gauge,pressure 6 MPa	XBCY39.00-6150		XBC39.6.1		1
51	gauge,pressure 60 MPa	XBCY39.00-6151		XBC39.6.1		1
NA	gauge,pressure 25	XBCY39.00-6232		XBC39.6.3		1

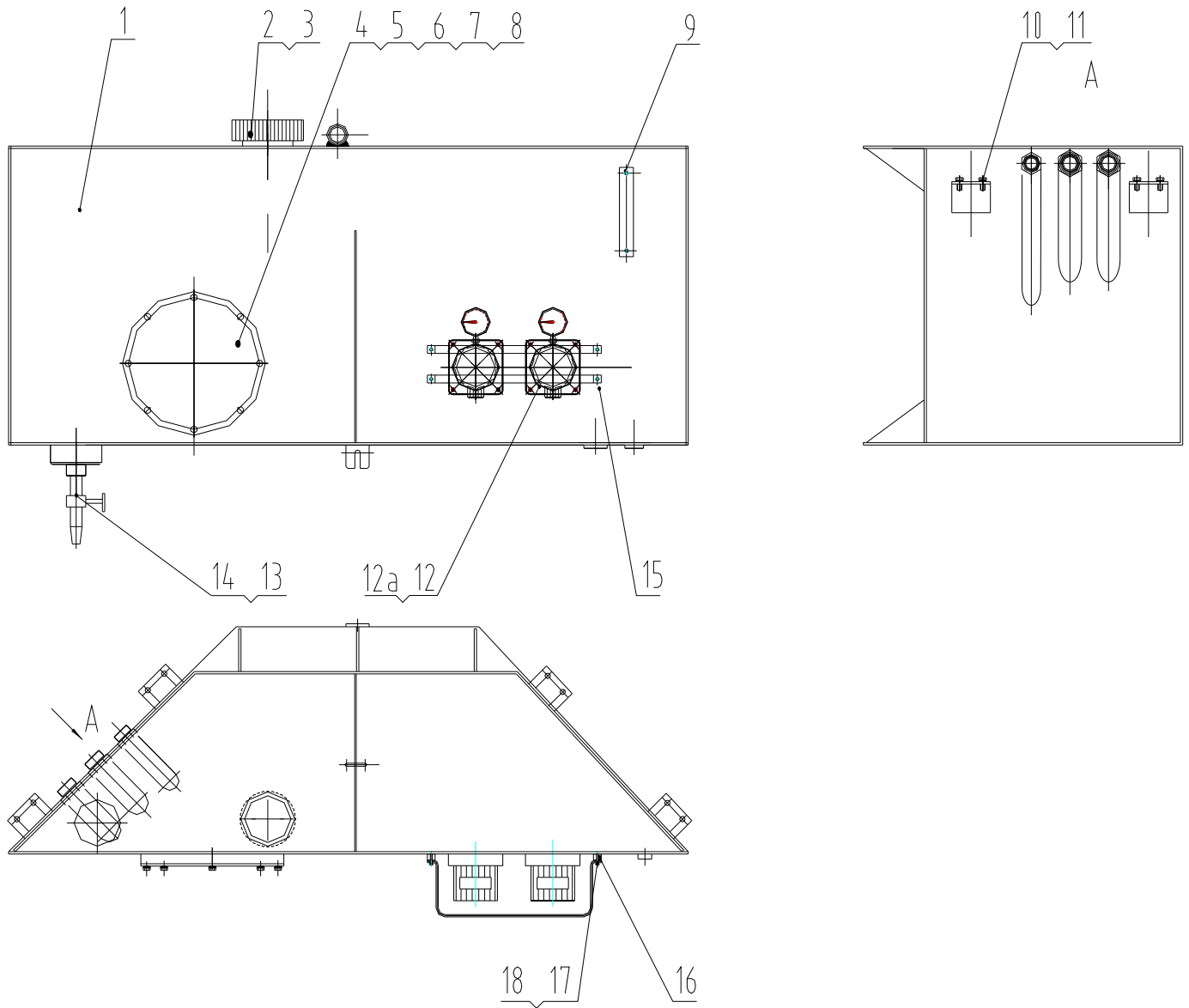


XT39R4V00

13822 Oaks Avenue
Chino, CA 91710
909-287-2100
www.reedpumps.com

SPARE PARTS

HYDRAULIC FILTERS



No.	Description	Part Number	Material	Parent	Weight	Quantity
12a	element, filer oil	P20933-01		XBC39.2.6		2

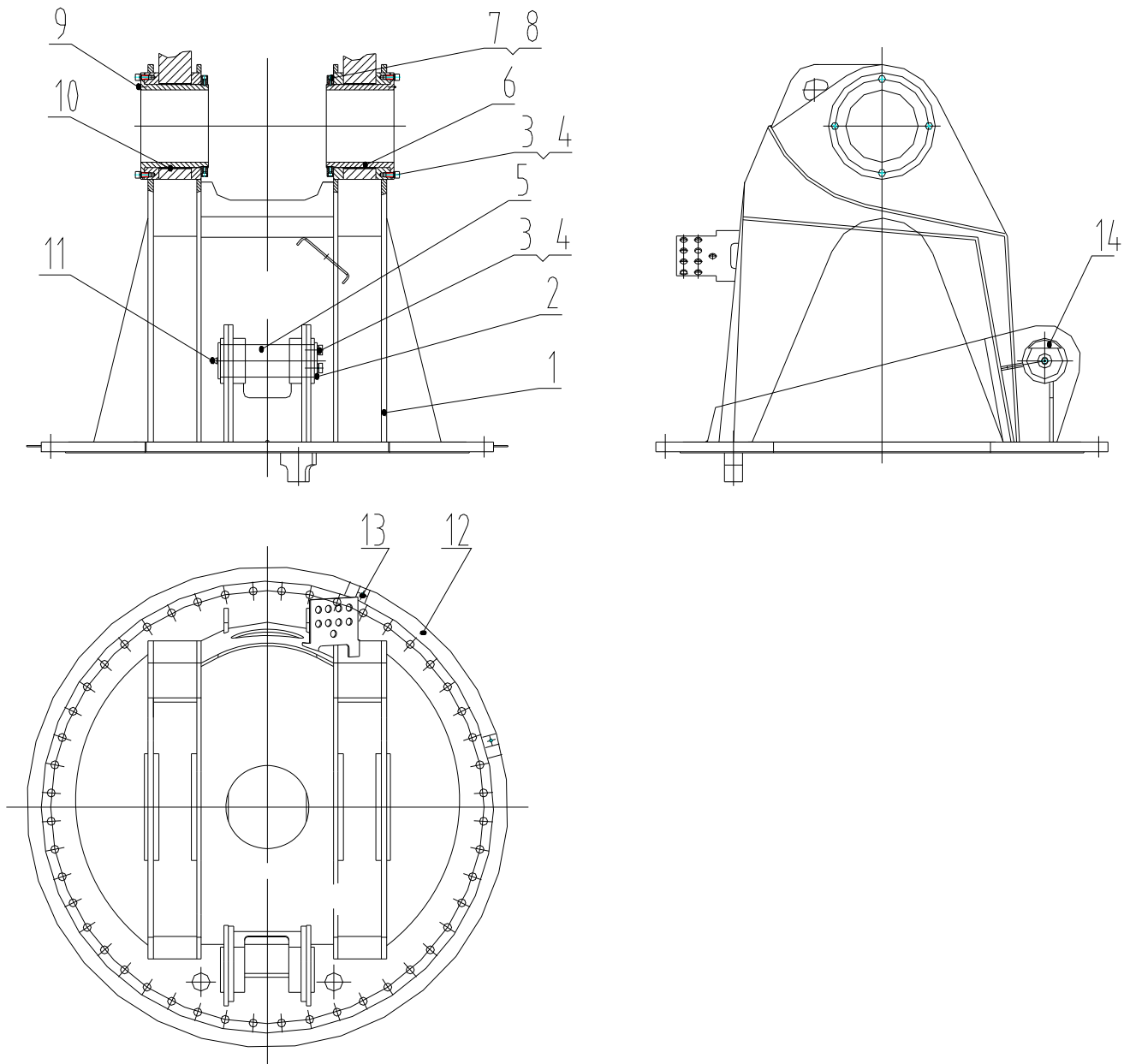


XT39R4V00

13822 Oaks Avenue
Chino, CA 91710
909-287-2100
www.reedpumps.com

SPARE PARTS

GREASE NIPPLES



No.	Description	Part Number	Material	Parent	Weight	Quantity
9	Nipple,grease M6 x 1	CL00000002		XBC39.2.9		4
11	Nipple,grease M8 x 1	CL00000003		XBC39.2.9		4

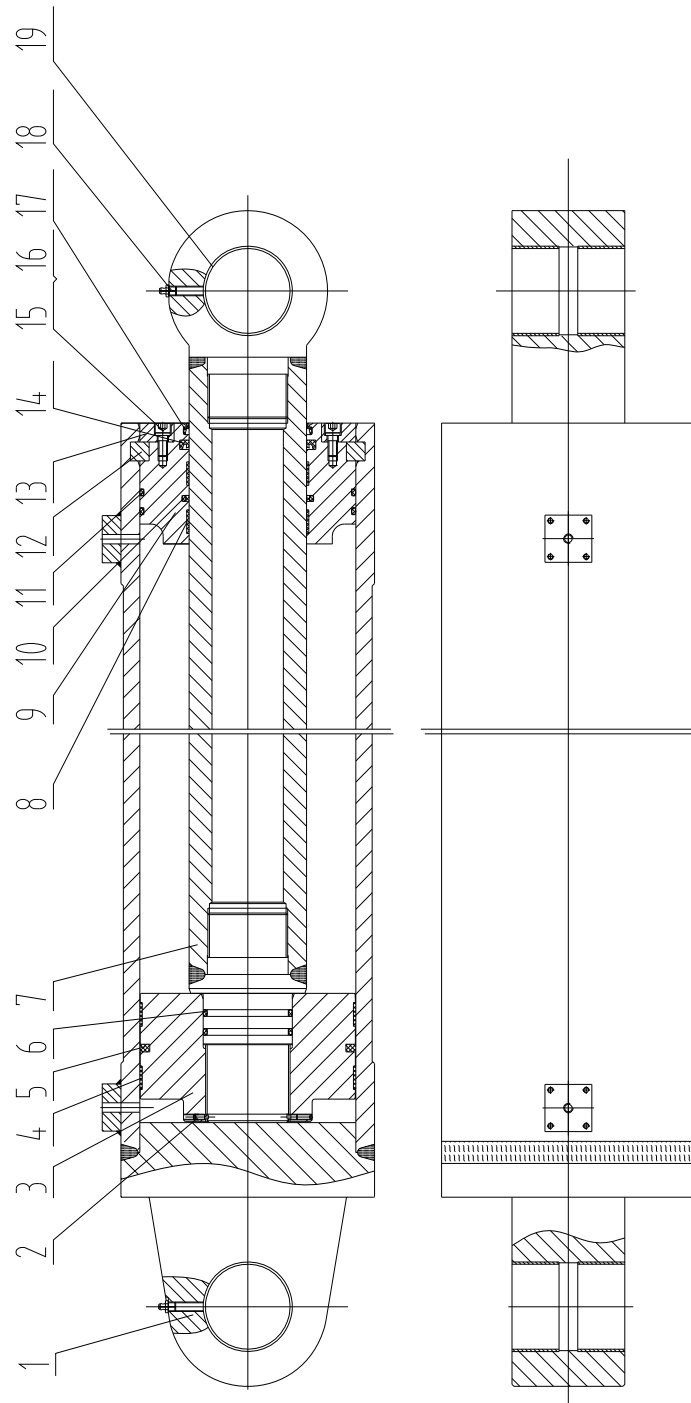


XT39R4V00

13822 Oaks Avenue
Chino, CA 91710
909-287-2100
www.reedpumps.com

SPARE PARTS

GREASE NIPPLES CONTINUED



No.	Description	Part Number	Material	Parent	Weight	Quantity
18	nipple M10	CL00000001		ZBC37.1.1.3s		4

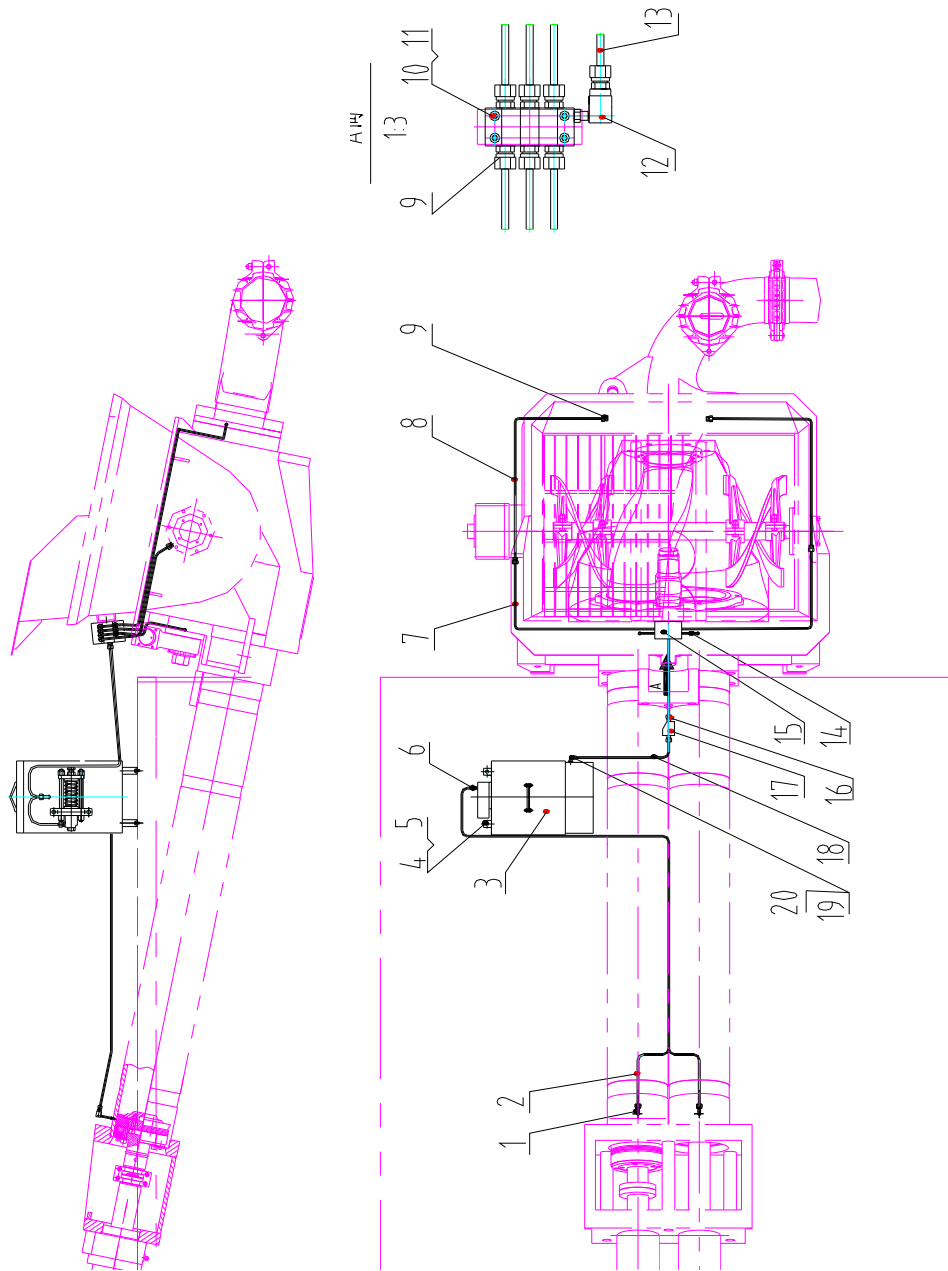


XT39R4V00

13822 Oaks Avenue
 Chino, CA 91710
 909-287-2100
 www.reedpumps.com

SPARE PARTS

LUBRICATION SYSTEM



No.	Description	Part Number	Material	Parent	Weight	Quantity
1	elbow,union Z1/8	22646T		XBC39.8		1
9	straight thread connector	22587-1T		XBC39.8		1
17	filter,oil and grease filter	28985-2		XBC39.8		1