



# C70SDRV11

## PARTS

13822 Oaks Avenue  
Chino, CA 91710  
reedpumps.com  
(909) 287 - 2100

---

PARTS .....	3
PUMPING TRAIN ASSEMBLY .....	3
S-TUBE .....	4
5" OUTLET ASSEMBLY .....	5
5" OUTLET SEAL KIT INSTALLATION .....	6
CARBIDE WEAR PLATE ASSEMBLY .....	7
DUAL SHIFT BELL CRANK ASSEMBLY .....	8
DUAL SHIFT CYLINDER ASSEMBLY .....	8
DUAL SHIFT ASSEMBLY .....	10
7" PISTON CUP ASSEMBLY .....	11
DRIVE CYLINDER ASSEMBLY .....	12
HOPPER .....	13
AGITATOR ASSEMBLY .....	13
AGITATOR ASSEMBLY CONTINUED .....	14
SAFETY GRATE .....	15
GRATE ASSEMBLY .....	15
CLEAN OUT DOOR ASSEMBLY .....	17
POWER TRAIN .....	18
ENGINE, PUMPS, AND FILTERS .....	18
MAIN HYDRALIC PUMP 125cc .....	21
REXROTH EXHAUST .....	30
TANKS .....	32
FUEL TANK ASSEMBLY .....	32
HYDRAULIC TANK ASSEMBLY .....	34
HYDRAULIC TANK FILTER ASSEMBLY .....	35
S-TUBE CIRCUIT MANIFOLD ASSEMBLY .....	37
S-TUBE MANIFOLD PORTING .....	39
ACCUMULATOR ASSEMBLY .....	40
ELECTRICAL GROUP .....	41
BATTERY .....	41
PROXIMITY SWITCHES .....	42
TRAILER HARNESS AND BREAKAWAY .....	43
TAIL LIGHTS, FENDERS .....	43
WIRING HARNESS .....	45
PLC CONTROLS .....	47
C-SERIES CONTROL PANEL .....	47
KEY PAD SWITCHES INSERT KIT .....	48
KEY PAD SWITCHES INSERT KIT CONT .....	49
MVEC/FUSE/RELAY .....	51
MD3 DISPLAY MODULE .....	53
ESTOP, KEY ASSEMBLY, PLUGS .....	54
BUSSES, CONNECTORS, PINS .....	55
SERIAL PLATE IDENTIFICATION .....	56



# C70SDRV11

## PARTS

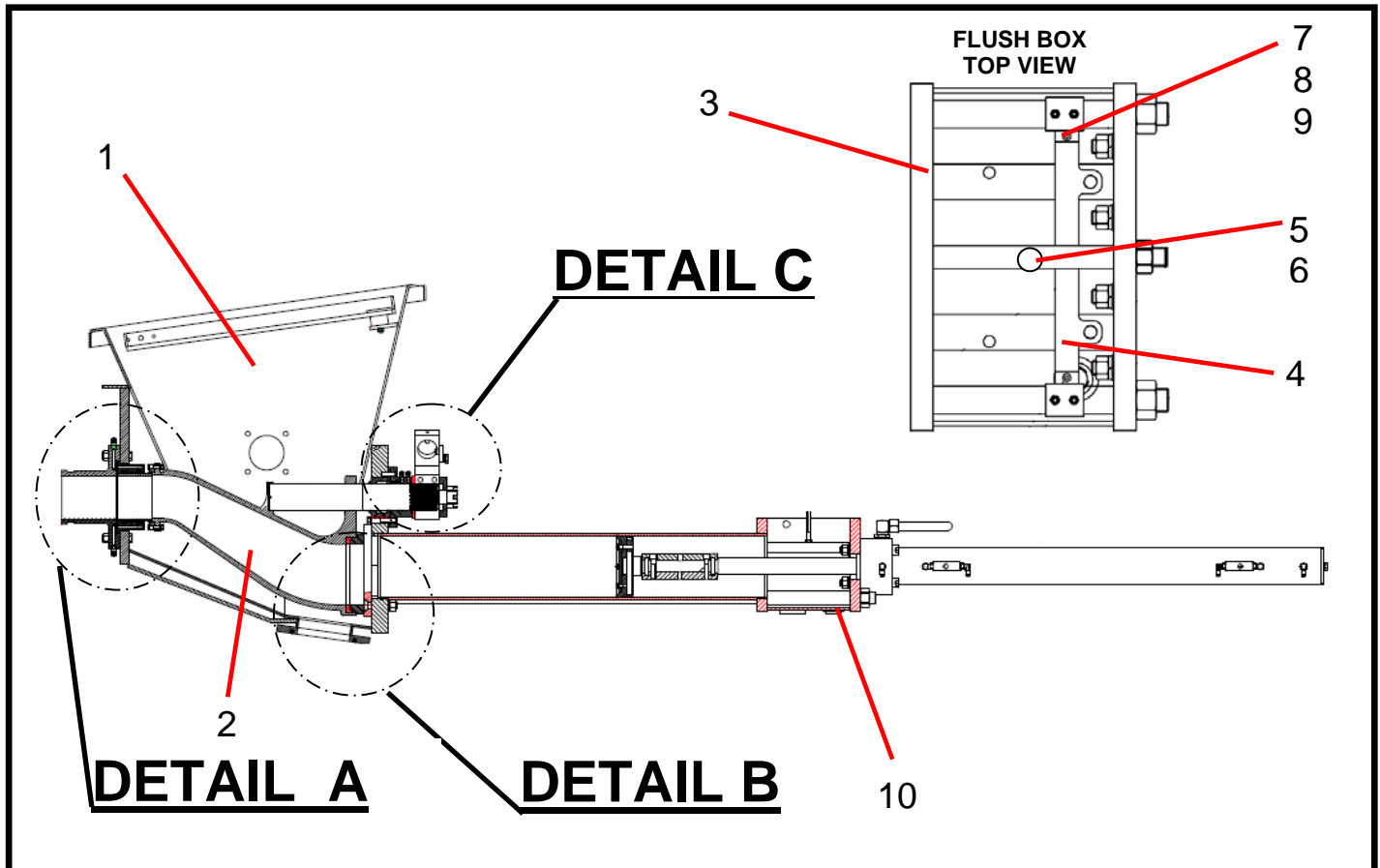
13822 Oaks Avenue  
Chino, CA 91710  
reedpumps.com  
(909) 287 - 2100

BUSS BAR SET-UP .....	57
CAN PUSH BUTTON SWITCH PLUG .....	58
SWITCH A .....	58
CAN PUSH BUTTON SWITCH PLUG .....	59
SWITCH B .....	59
CAN PLUGS, CONNECTORS .....	60
DEUTSCH 128 PLUG ASSEMBLY .....	61
WIRE HARNESS MAIN LAYOUT .....	63
WIRE HARNESS DOOR LAYOUT .....	63
50 FT CABLE REMOTE .....	65
FRAME INSTALLATION .....	65
FRAME, TIRES, JACK, AND TOW EYE .....	66
7000LB AXLE MOUNTING ASSEMBLY FRONT .....	67
7000LB AXLE MOUNTING ASSEMBLY REAR .....	68
HOOD AND COVERS .....	68
GAUGES .....	70
HYDRAULIC OUTRIGGER GROUP .....	71
ELECTRIC HYDRAULIC OUTRIGGER .....	72
ELECTRIC HYDRAULIC OUTRIGGER CONTROLS .....	72
AGITATOR GROUP .....	74
AUTOLUBE PUMP (PLASTIC TUBING) .....	77
AUTOLUBE GREASE VALVE LINE DIAGRAM .....	79
AUTOLUBE WIRING DIAGRAM .....	80
AVAILABLE OPTIONS .....	81

REV	DATE	DESCRIPTION	NAME
C70SDR-V11	12/18/2017	INITIAL	J.SLACK

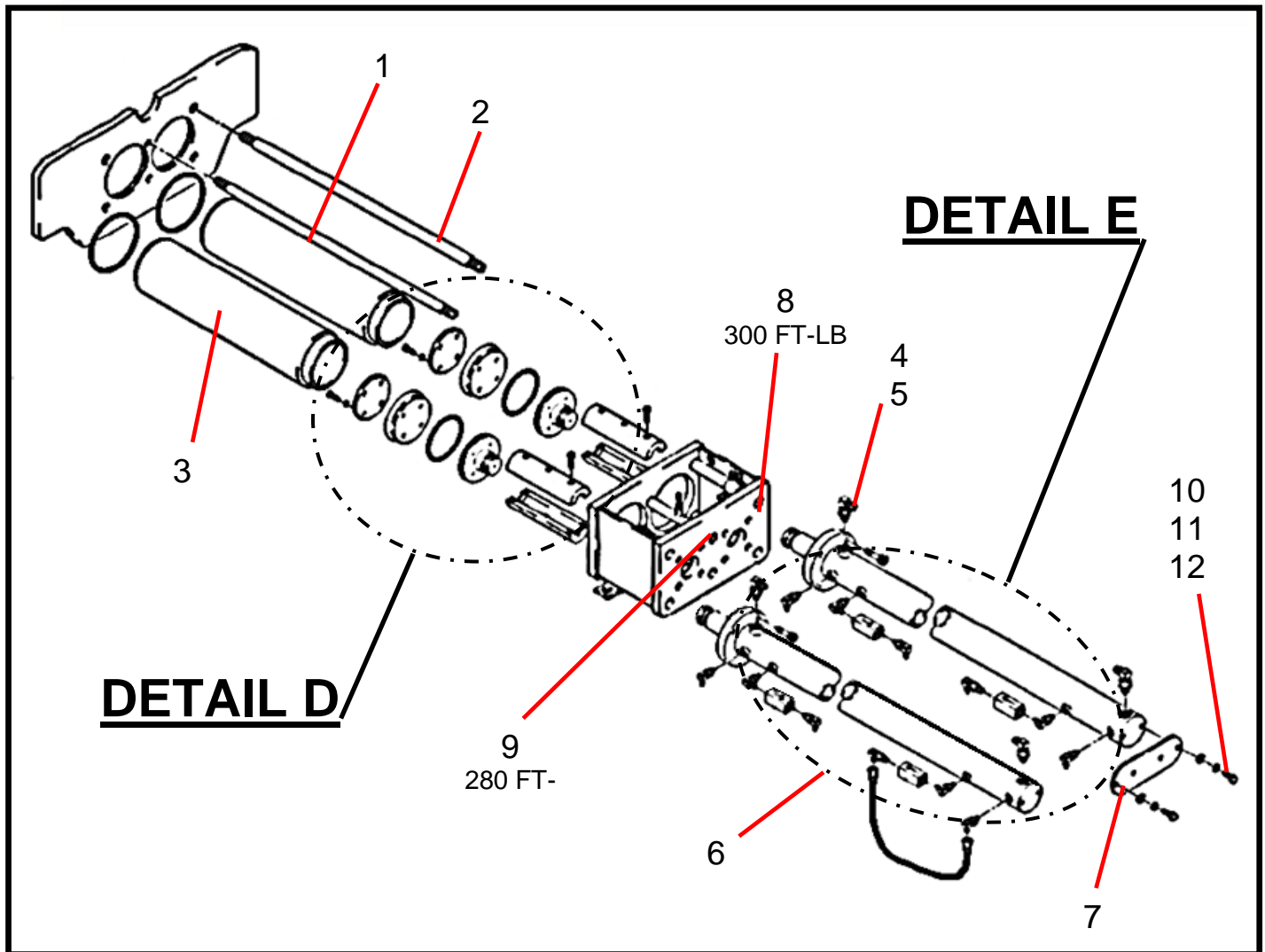
## PARTS

### PUMPING TRAIN ASSEMBLY



ID #	PART #	PART DESCRIPTION	QUANTITY	
	88043-3	PUMP CELL ASSY C70S DUAL HYDRATECH		REF
1	88004	HOPPER WELDMENT, 7" STD SAFTEY SWITCH	1	EA
2	86986	S-TUBE WELD 7X5	1	EA
3	85984	FLUSHBOX WELDMENT, 7IN HPS	1	EA
4	86006	BRACKET, PROX SWITCH	1	EA
5	86665	STUD, 3/8-16 X 3" LONG	1	EA
6	80072	LOCKWASHER-3/8	1	EA
7	86752	BOLT- 1/4"-20 X 3/4" LONG	6	EA
8		LOCKWASHER 1/4"	2	EA
9		FLAT WASHER 1/4"	2	EA
10	10282	PLUG- PIPE GALV 1"	1	EA

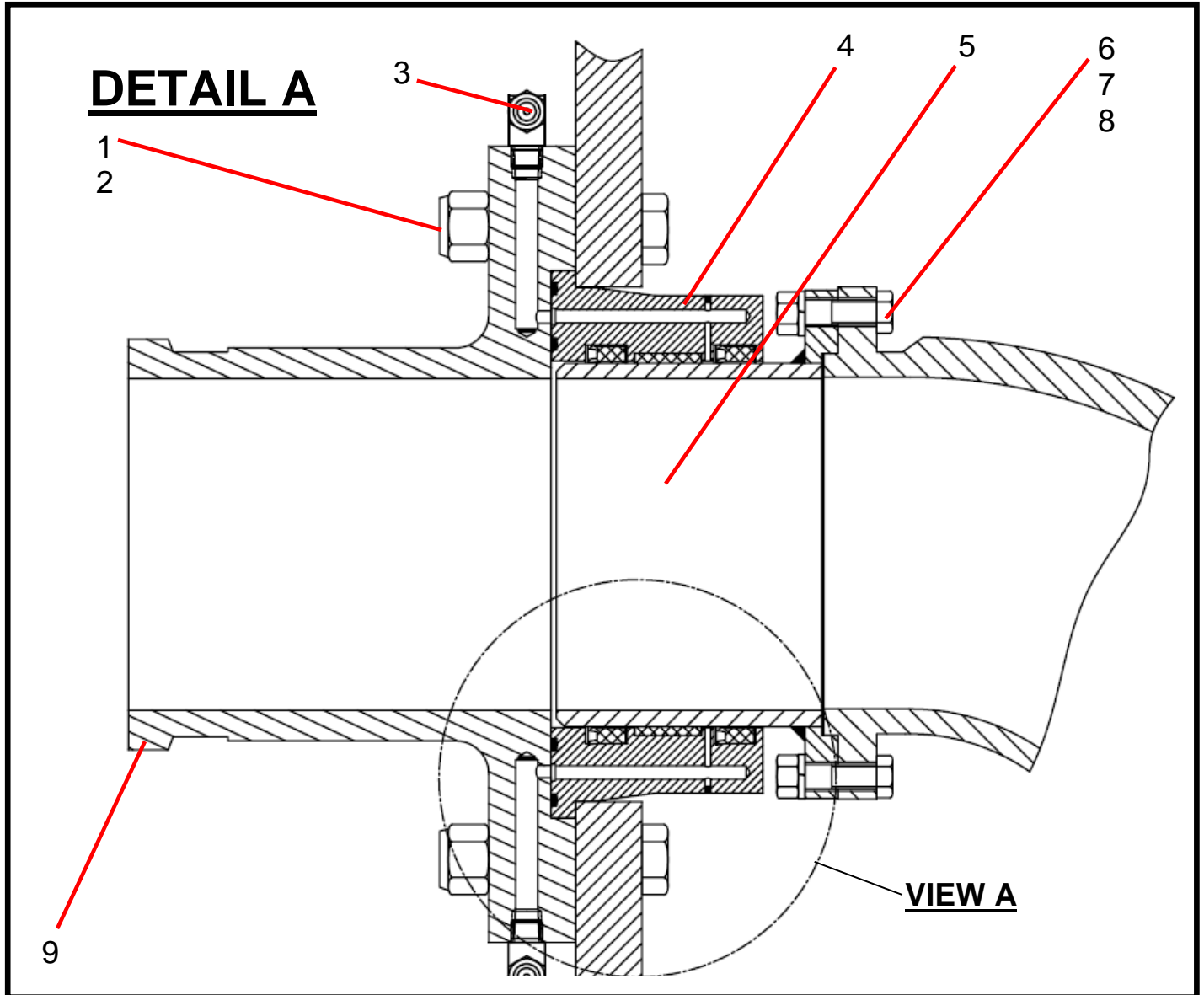
## PUMPING TRAIN ASSEMBLY CONTINUED



ID #	PART #	PART DESCRIPTION	QUANTITY	
1	86023	TIE ROD, 1" X 57½"	2	EA
2	86022	TIE ROD, 1¼" X 57½"	4	EA
3	86146	CONCRETE CYLINDER, 7 X 42	2	EA
4		ELBOW, MB – MJ-16-16	2	EA
5	85427	TUBE, HYD, LOOP LINE	1	
6	86222HT	HYD CYLINDER GROUP 3.50X41.75 HYDRATECH	1	EA
7	87554	END PLATE - DRIVE CYLINDER- PAINTED	1	EA
8		HEX, NUT 1 ¼" -12	4	EA
9		HEX NUT, 1" -12	2	EA
10		HHCS, 1/2 -13X1 ¼" GR 8	4	EA
11		WASHER, 1/2	4	EA
12		LOCK WASHER, ½"	6	EA

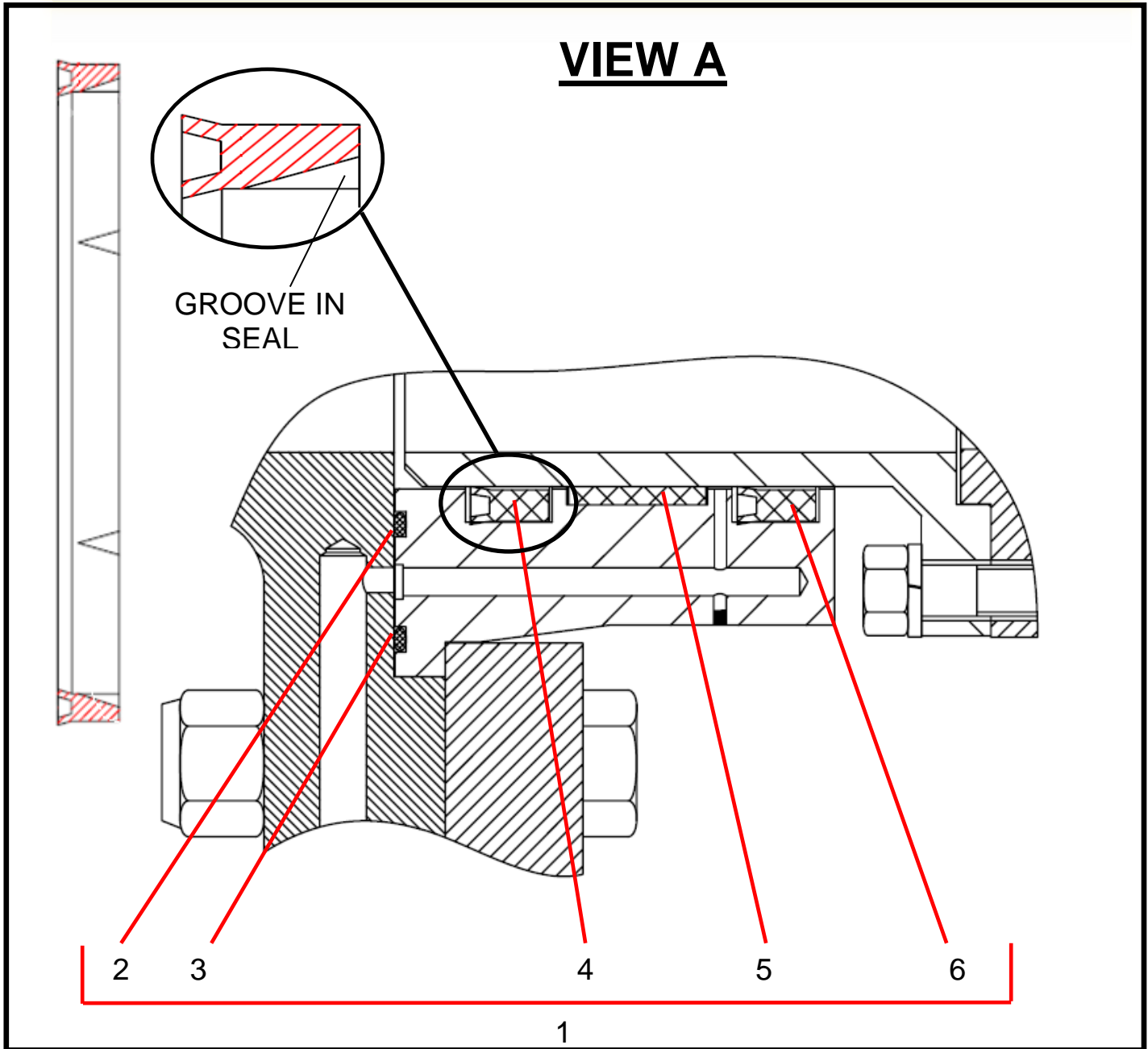
## S-TUBE

### 5" OUTLET ASSEMBLY



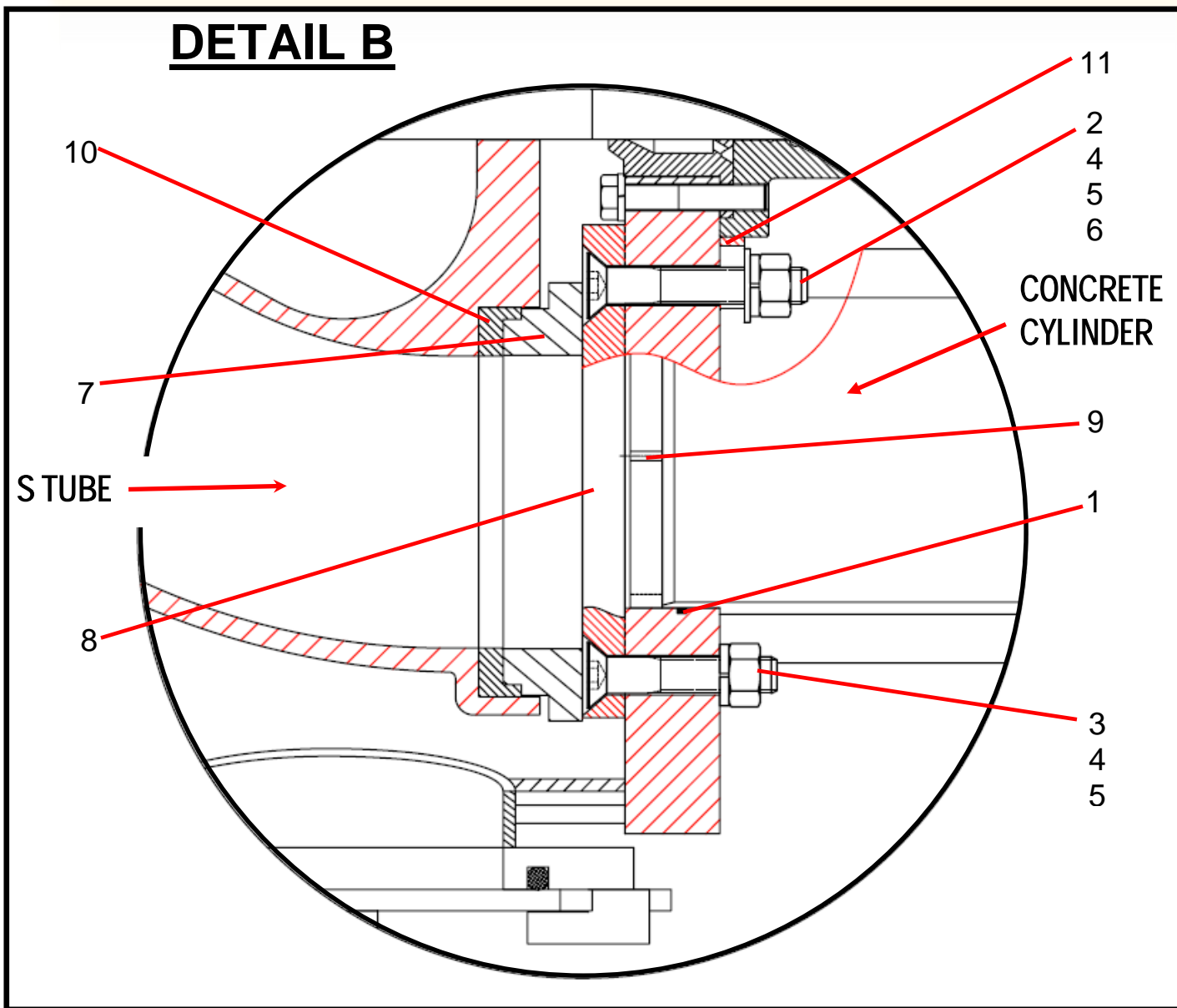
ID #	PART #	PART DESCRIPTION	QUANTITY	
	86321	OUTLET GROUP	REF	BILI
1		HHCS, 5/8 – 18X3" ¼ " GR 8	6	EA
2		LOCK NUT, 5/8 -18	6	EA
3		GREASE FITTING, 1/8" NPT 90°	2	EA
4	72309	OUTLET SEAL HOUSING	1	EA
5	70042	CHROMED OUTLET	1	EA
6		HHCS, 3/8 – 16X1 ½" GR 8	6	EA
7		HEX NUT, 3/8" - 16	6	EA
8		LOCK WASHER, 3/8"	6	EA
9	72482	OUTLET, 5" (1-PIECE)	1	EA

## 5" OUTLET SEAL KIT INSTALLATION



ID #	PART #	PART DESCRIPTION	QUANTITY	
1	79895	SEAL KIT	1	EA
2	77762	O-RING-#257 BUNA 90	1	EA
3	77761	O-RING-#264 BUNA 90	1	EA
4	86504	SEAL-MODIFIED- 5 IN OUTLET	1	EA
5	77763	GUIDE BAND - 5.75 OD X 1.00W	1	EA
6	77765	LIP SEAL-5.50 ID X 6.00 OD X .56 D	1	EA

## CARBIDE WEAR PLATE ASSEMBLY



ID #	PART #	PART DESCRIPTION	QUANTITY	
1	86149	O-RING, #259 BUENA 70	2	EA
2		FHCS, 3/4" - 10X 4 1/2" GR 8	1	EA
3		FHCS, 3/4" - 10X 3 1/2" GR 8	3	EA
4		HEX NUT, 3/4" - 10	4	EA
5		LOCK WASHER, 3/4"	4	EA
6		FLATWASHER, 3/4"	2	EA
7	85975-1	WEAR RING, CARBIDE, 7"	1	EA
8	85970-1	WEAR PLATE, CARBIDE 7"	1	EA
9	85977	CHIP RING, 7"	2	EA
10	85974	SEAL, SINGLE LIP, 7"	1	EA
11	86502	LOCATOR RING - FLANGE BEARING	1	EA

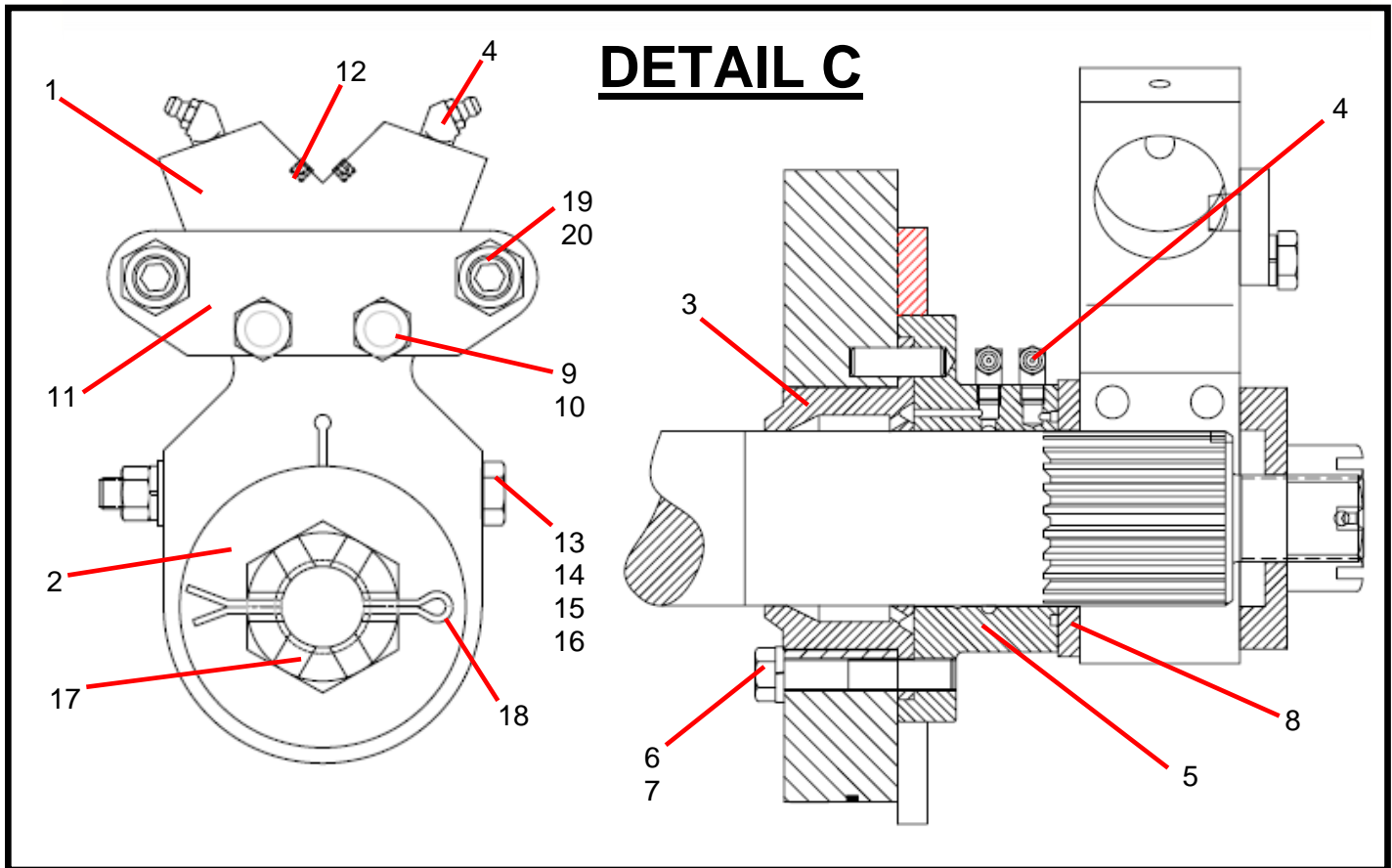


# C70SDRV11

## PARTS

13822 Oaks Avenue  
Chino, CA 91710  
reedpumps.com  
(909) 287 - 2100

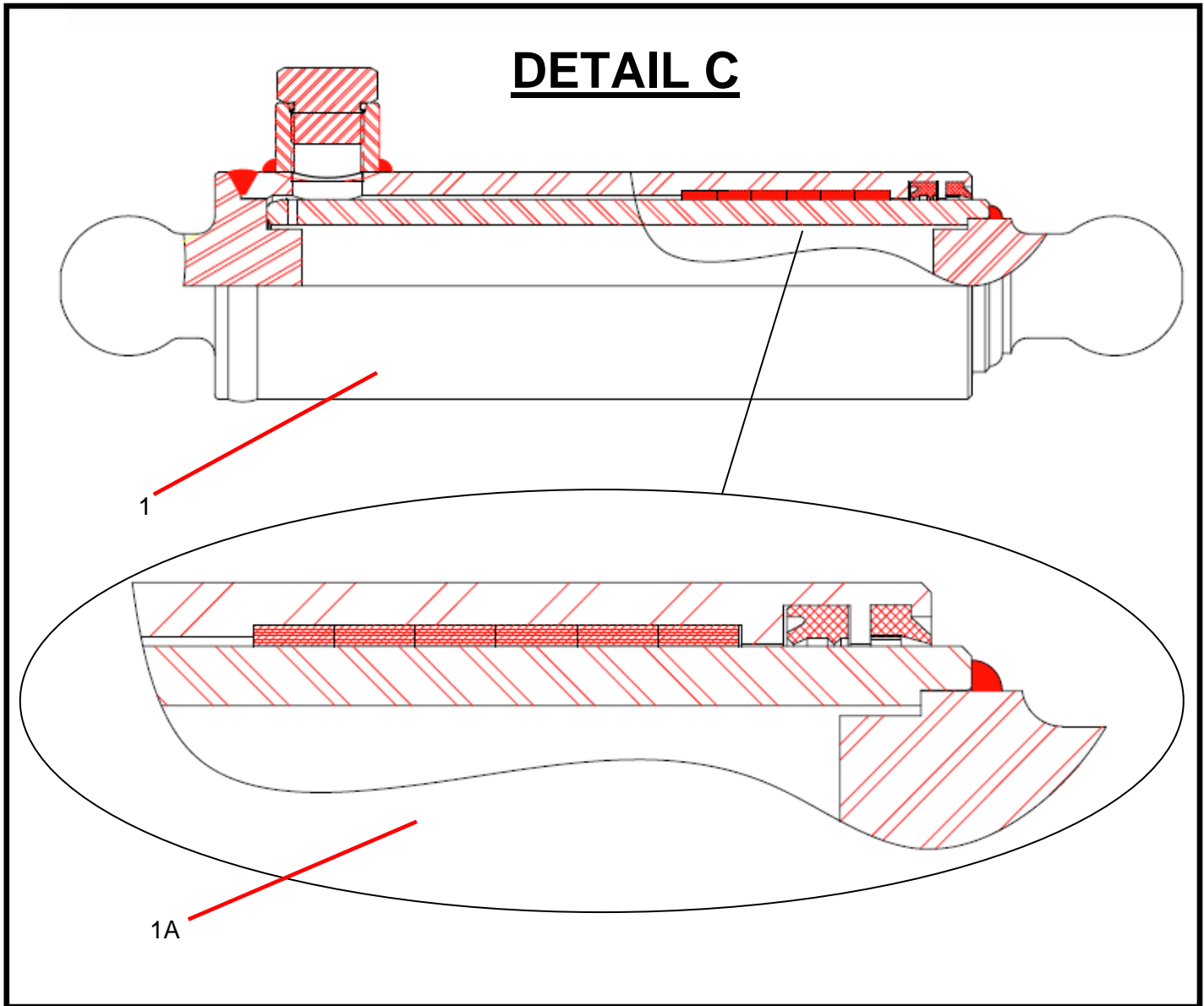
### DUAL SHIFT BELL CRANK ASSEMBLY



ID #	PART #	PART DESCRIPTION	QUANTITY	
	87339-2	S-TUBE SHIFT GROUP, DUAL HYDRA,NYLON CARBIDE	REF	
1	85956	BELL CRANK, 3" SPLINE, DUAL	1	EA
2	86985	SPACER, S-TUBE NUT	1	EA
3	85962	SEAL, FLANGE BEARING	1	EA
4		GREASE FITTING, 1/8" NPT	4	EA
5	85133	FLANGED BEARING	1	EA
6		HHCS, 9/16 - 12X3" GR 8	4	EA
7		LOCK WASHER, 9/16"	4	EA
8	85294	THRUST WASHER, S -TUBE (NYLON)	1	EA
9		HHCS, 1/2-13X1 1/4" GR 8	2	EA
10		LOCKWASHER, 1/2"	2	EA
11	86282	RETAINER - SHIFT CYLINDER	1	EA
12	74679-1	PLUG 1/4" NPT SOCKET HEAD MOD.	2	EA
13		HHCS, 1/2-13X6 1/4" GR 8	2	EA
14		FLAT WASHER 1/2"	4	EA
15		LOCK WASHER 1/2"	2	EA
16		HEX NUT, 1/2"-13	2	EA
17	87012	NUT 2" -12 CASTLE GRADE 5	2	EA
18		COTTER PIN, 1/4X4"	1	EA
19	86283	SET SCREW-5/8-11X2.00" CUP POINT	2	EA
20	80005	NUT HEX-5/8-11 UNC USS RH THREAD	2	EA



**DUAL SHIFT CYLINDER ASSEMBLY**



ID #	PART #	PART DESCRIPTION	QUANTITY	
1	87333HT	SWING RAM 3.0 X 5.50 STROKE	2	EA
1A	87333HT-SK	SEAL KIT	2	EA

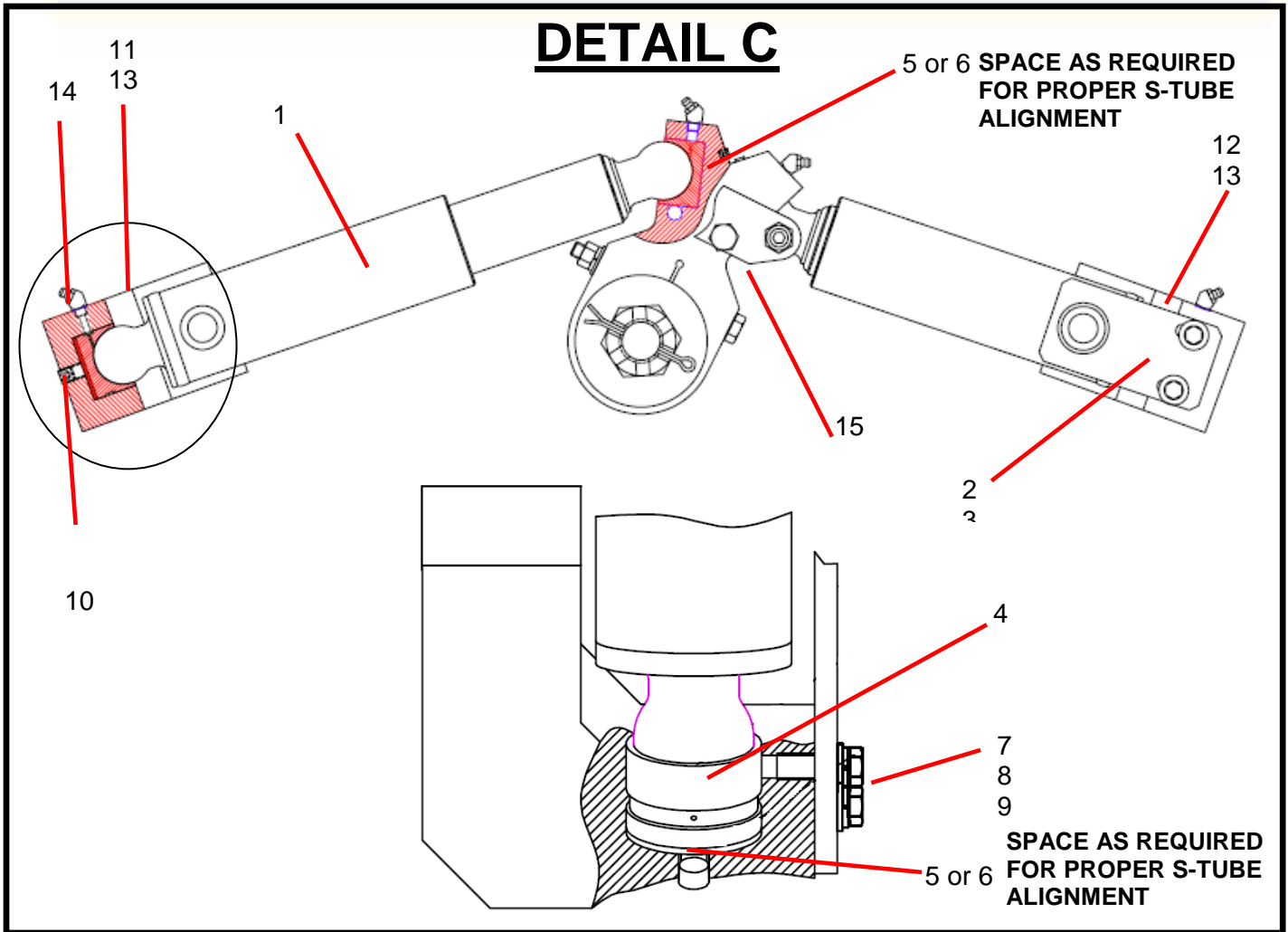


# C70SDRV11

## PARTS

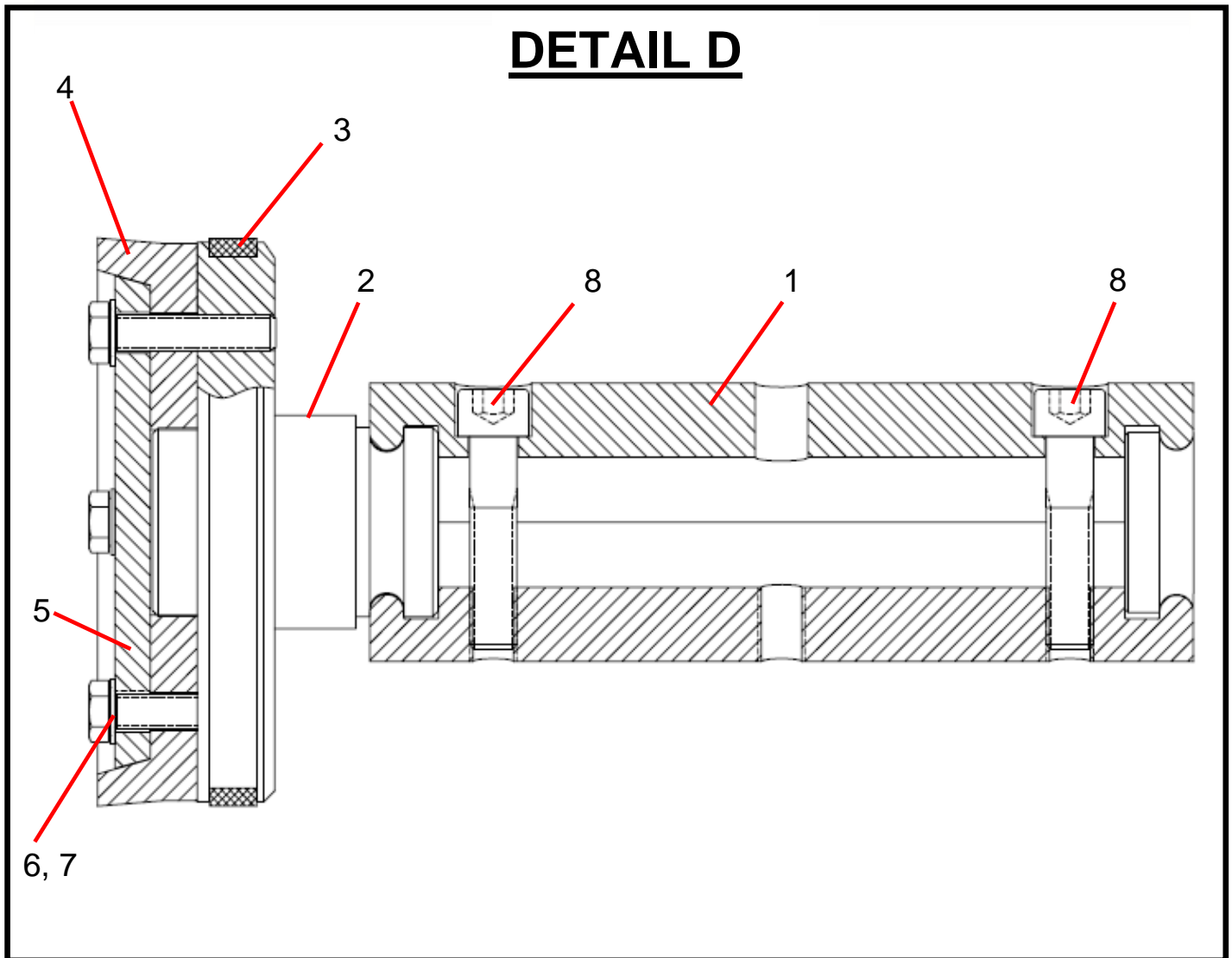
13822 Oaks Avenue  
Chino, CA 91710  
reedpumps.com  
(909) 287 - 2100

### DUAL SHIFT ASSEMBLY



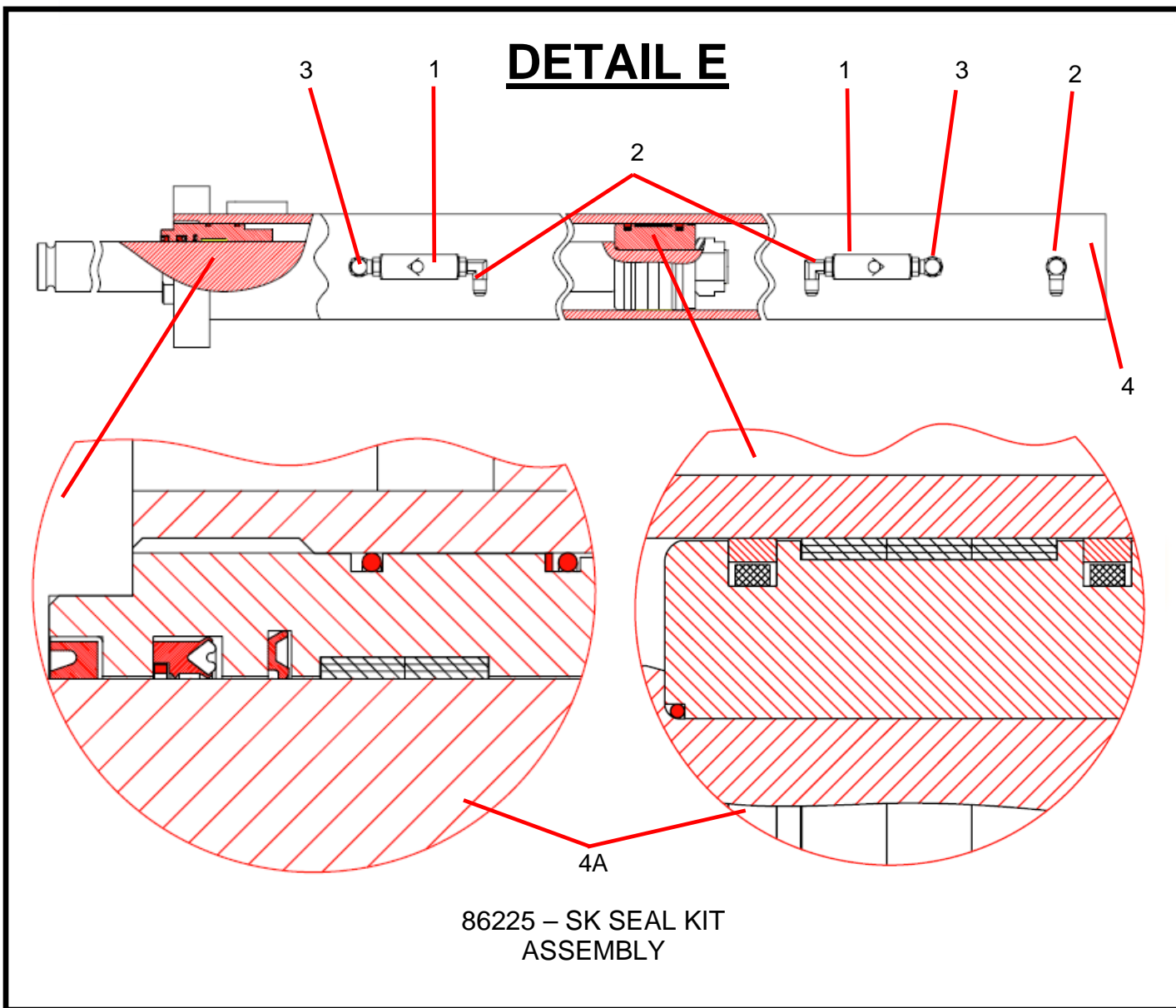
ID #	PART #	PART DESCRIPTION	QUANTITY	
1	87333HT	SWING RAM – 3.00 X 5.50 STROKE	2	EA
2	86441	RETAINER, SWING RAM	2	EA
3	88427	SPACER, SWING RAM RETAINER	2	EA
4	76798-1	BALL SOCKET, NYLON	4	EA
5	75501	SPACER 1/8"	A/R	EA
6	75502	SPACER 1/16"	A/R	EA
7		HHCS, 3/8-24X1 1/4" GR8	4	EA
8		WASHER, 3/8"	4	EA
9		LOCK WASHER, 3/8"	4	EA
10	86283	SETSCREW – 5/8 -11X2.00 CUP	2	EA
11	85941	HOUSING,RH SWING RAM	1	EA
12	85942	HOUSING, LH SWING RAM	1	EA
13	86052	DOWEL PIN, 1/2" DIA X 2"	4	EA
14		GREASE FITTING, 1/8" NPT	2	EA
15	86282	RETAINER – SHIFT CYLINDER	1	EA

## 7" PISTON CUP ASSEMBLY



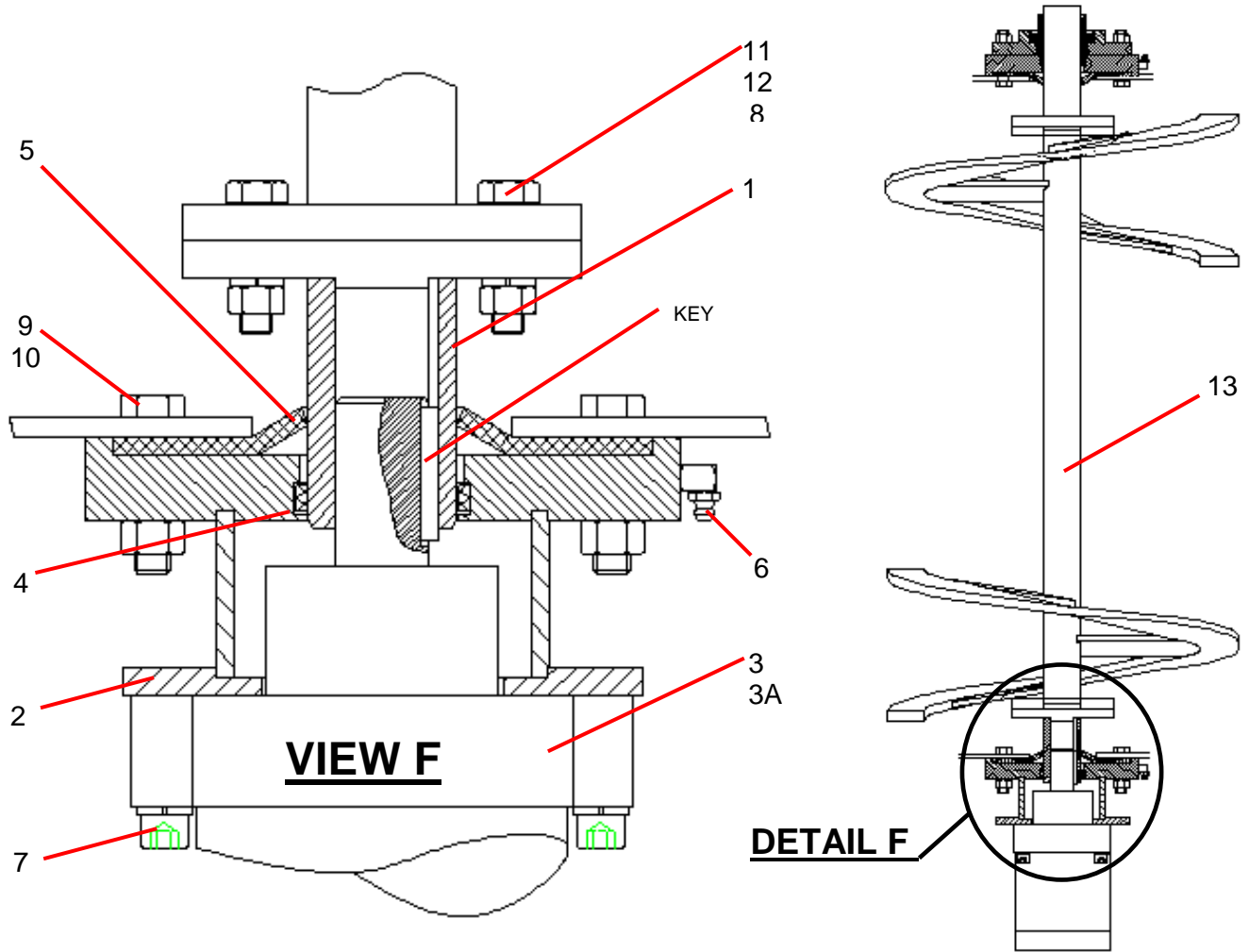
ID #	PART #	PART DESCRIPTION	QUANTITY	
1	86024	PISTON COUPLING, 8.75 LONG	1	EA
2	77055	PISTON ADAPTER 7"	1	EA
3	77056	WEAR RING(GUIDE BAND) 7"	1	EA
4	70504	PISTON CUP, 7 IN	1	EA
5	70505	PISTON PLATE 7 INCH	1	EA
6		HHCS, 3/8 - 16X1" GR 8	4	EA
7		LOCK WASHER 3/8	4	EA
8		SHCS 1/2 - 13 X 2 1/4"	2	EA

## DRIVE CYLINDER ASSEMBLY



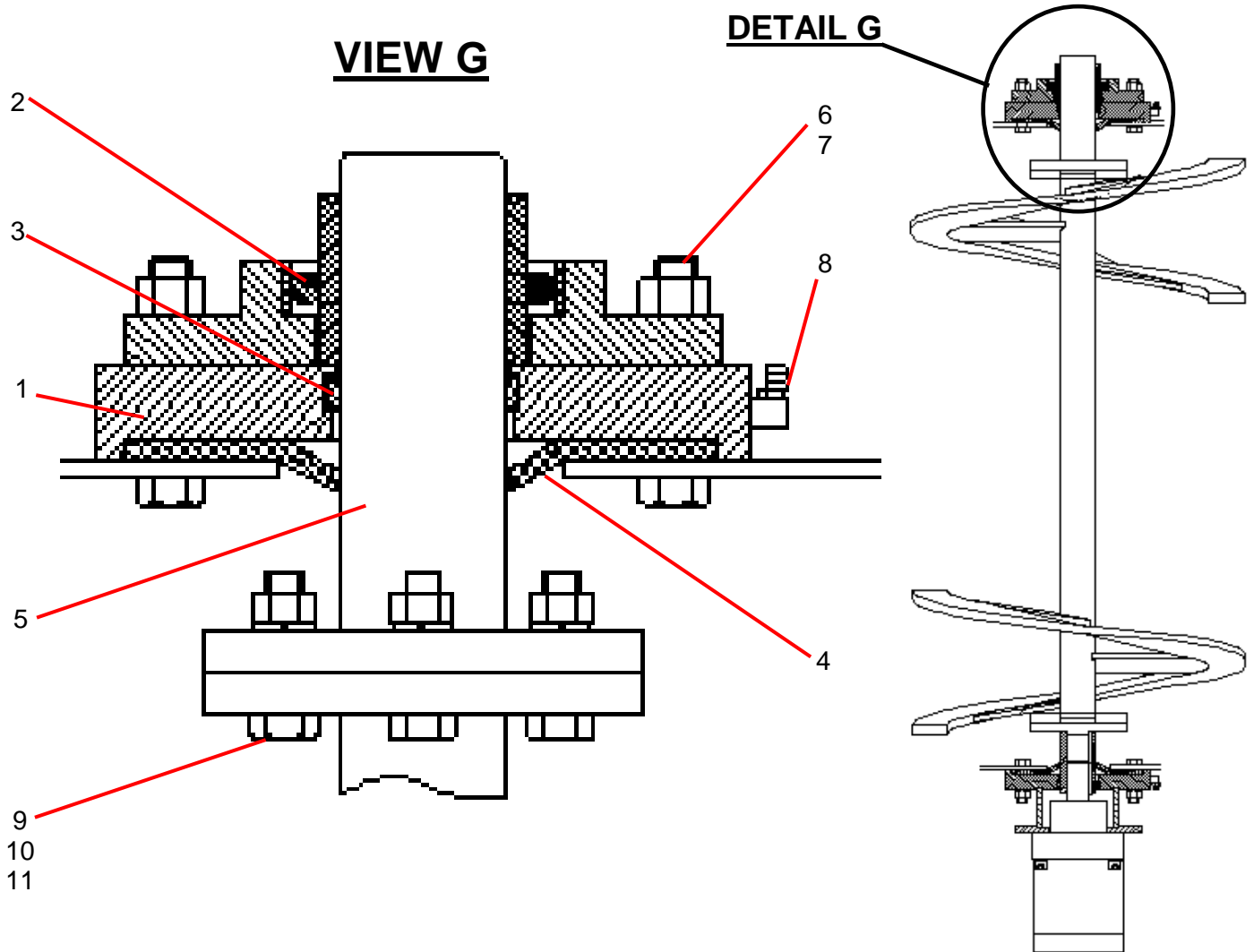
ID #	PART #	PART DESCRIPTION	QUANTITY	
1	78961	CHECK VALVE-5K PSI O-RING	2	EA
2	86748	FITTING-MB-MJ90-6-6	3	EA
3		ELBOW, MB-MB90-6-6	2	EA
4	86222HT	HYDRAULIC CYL 3.50 X 2.00 X 41.75, HYDRATECH	1	EA
4A	86225A-SK	SEAL KIT	1	EA

### HOPPER AGITATOR ASSEMBLY



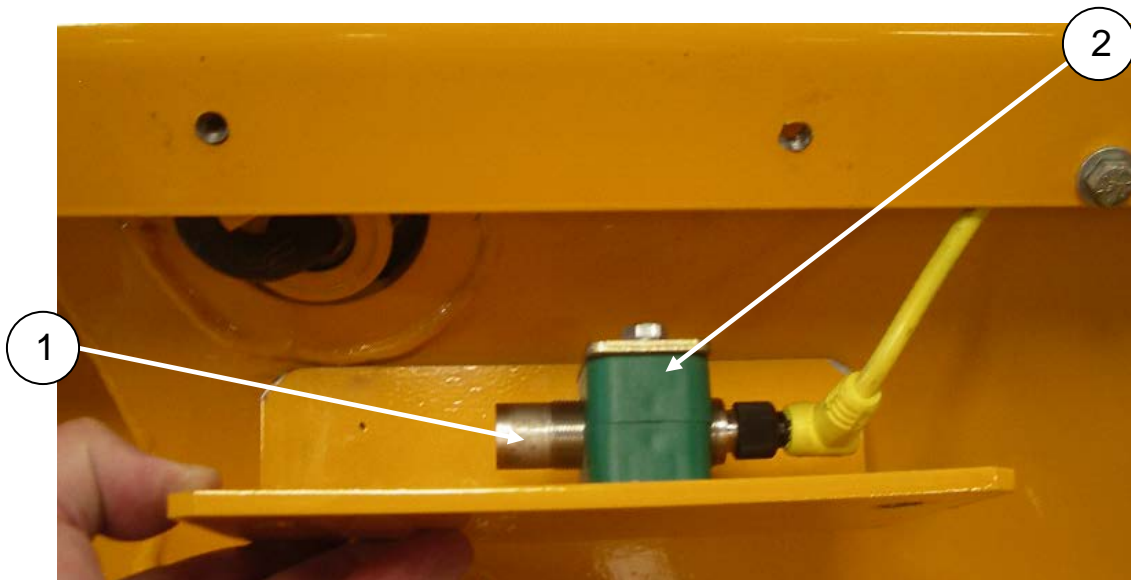
ID #	PART #	PART DESCRIPTION	QUANTITY	
	86395	AGITATOR ASSEMBLY	REF	
1	86062	DRIVE SHAFT, AGITATOR	1	EA
2	86070	FLANGE WELDMENT, AGITATOR MOTOR	1	EA
3	89373	HYD MOTOR, 48.0 CID, 1.25" SHAFT	1	EA
3A	85809SK	SEAL KIT	1	EA
4	86074	POLYSEAL, 2.00 ID X 2.50 OD X .375	1	EA
5	77512	SEAL-AUGER (BEARING SIDE)	2	EA
6		GREASE FITTING, 1/8" NPT 90°	1	EA
7		SHCS, 1/2"-13 X 2 1/4" GR8	4	EA
8		LOCKWASHER 1/2"	7	EA
9		HHCS, 1/2" - 13 X 2 1/4" GR8	4	EA
10		LOCKNUT, 1/2" -13	4	EA
11		HHCS, 1/2" - 13 X 1 3/4" GR8	3	EA
12		HEX NUT, 1/2" X 13	3	EA
13	86087	AGITATOR, WELMENT	1	EA

## AGITATOR ASSEMBLY CONTINUED



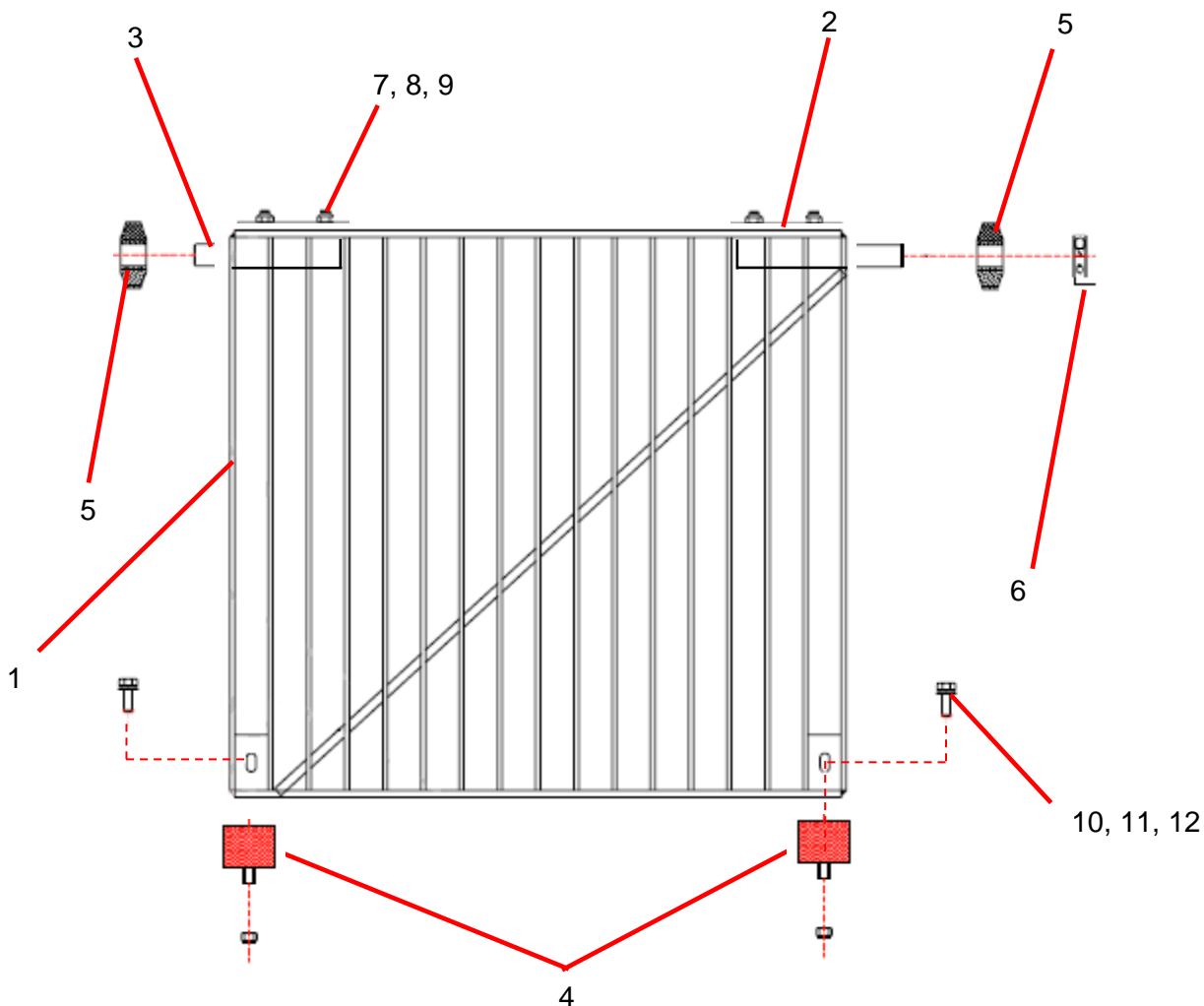
ID #	PART #	PART DESCRIPTION	QUANTITY	
1	86069	FLANGE, AGITATOR BEARING	1	EA
2	86067	FLANGE BEARING	1	EA
3	86074	POLYSEAL, 2.00 ID X 2.50 OD	1	EA
4	77512	SEAL-AUGER, AGITATOR	1	EA
5	86066	IDLER SHAFT, AGITATOR	1	EA
6		HHCS, 1/2"-13X3" GR8	4	EA
7		LOCKNUT, 1/2"-13	4	EA
8		GREASE FITTING, 1/8" NPT 90°	1	EA
9		HHCS, 1/2"-13X13/4" GR 8	3	EA
10		HEX NUT, 1/2"-13	3	EA
11		LOCK NUT 1/2"-13	3	EA

## SAFETY GRATE



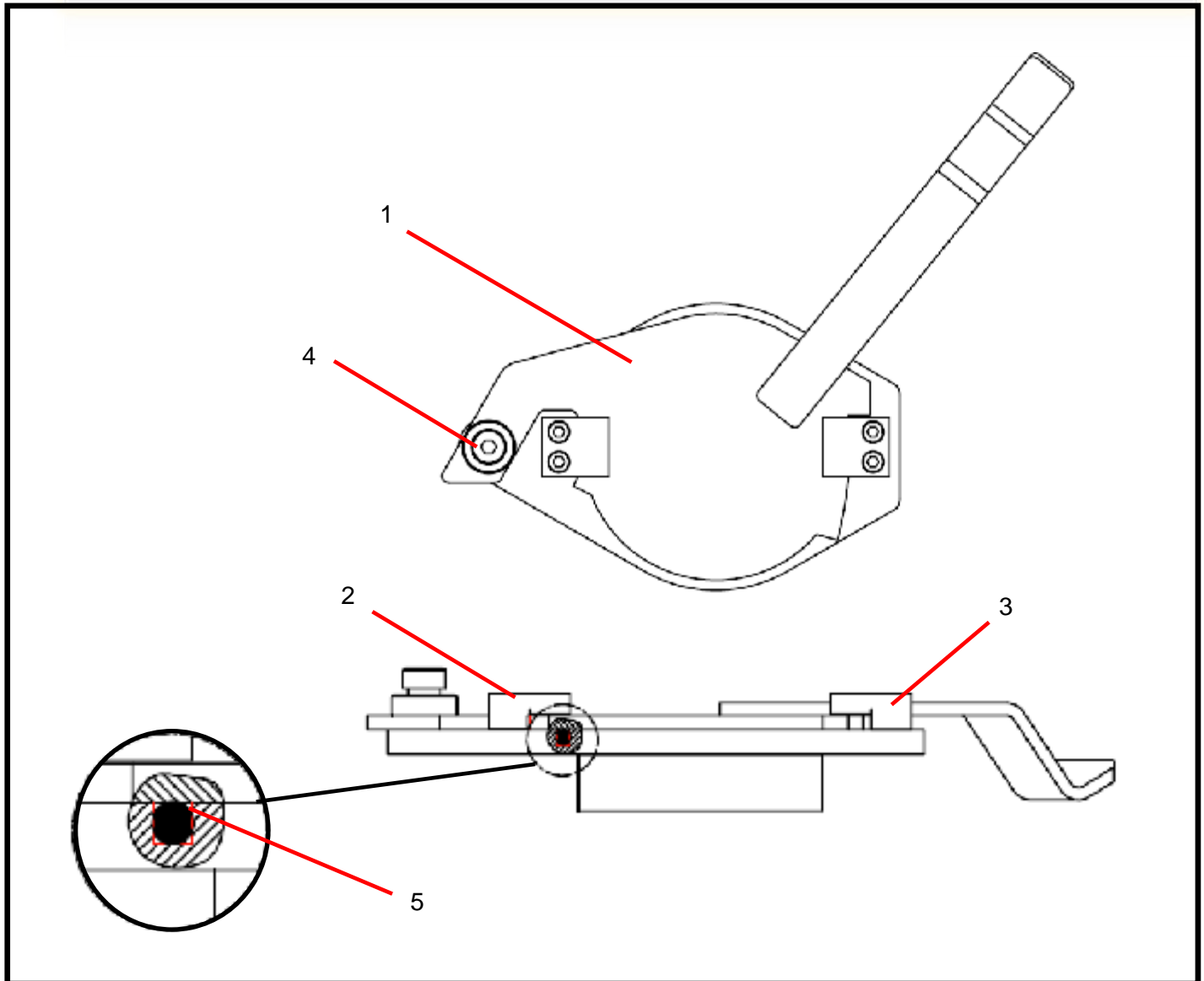
ID #	PART #	PART DESCRIPTION	QUANTITY	
1	87369	PROXIMITY SENSOR PNP HOPPER GRATE	1	EA
2	801902-006	CLAMP,18MM TUBE CLAMP SET	1	EA
3	87997	COVER WELD PROX SWITCH HOPPER	1	EA

### GRATE ASSEMBLY



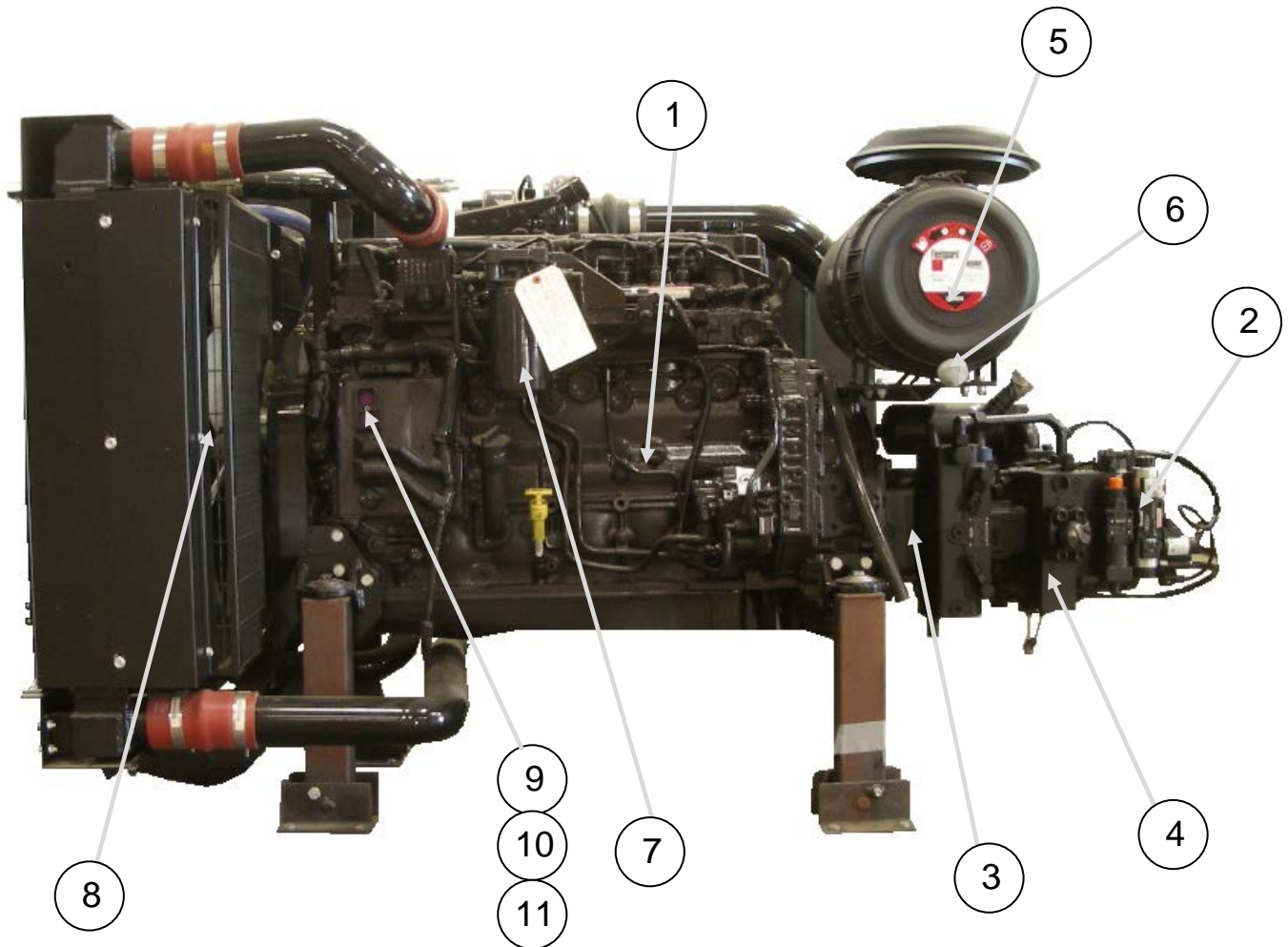
ID #	PART #	PART DESCRIPTION	QUANTITY	
1	87958	GRATE WELDMENT,	1	EA
2	87956	PIN WELDMENT LONG,	1	EA
3	87957	PIN WELDMENT SHORT,	1	EA
4	86083	BUMPER, HOPPER GRATE	2	EA
5	W102490	RUBBER BUFFER 65X22.5X26	2	EA
6	87769	COLLAR SHAFT, 7/8" DIA	1	EA
7		3/8"-16 X 1 1/4" HEX BOLT	4	EA
8		3/8" FLAT WASHER	8	EA
9		3/8-16 LOCK NUT	4	EA
10		3/8"-16 X 1" HEX BOLT	2	EA
11		3/8" FLAT WASHER	2	EA
12		3/8" LOCK WASHER	2	EA



**CLEAN OUT DOOR ASSEMBLY**

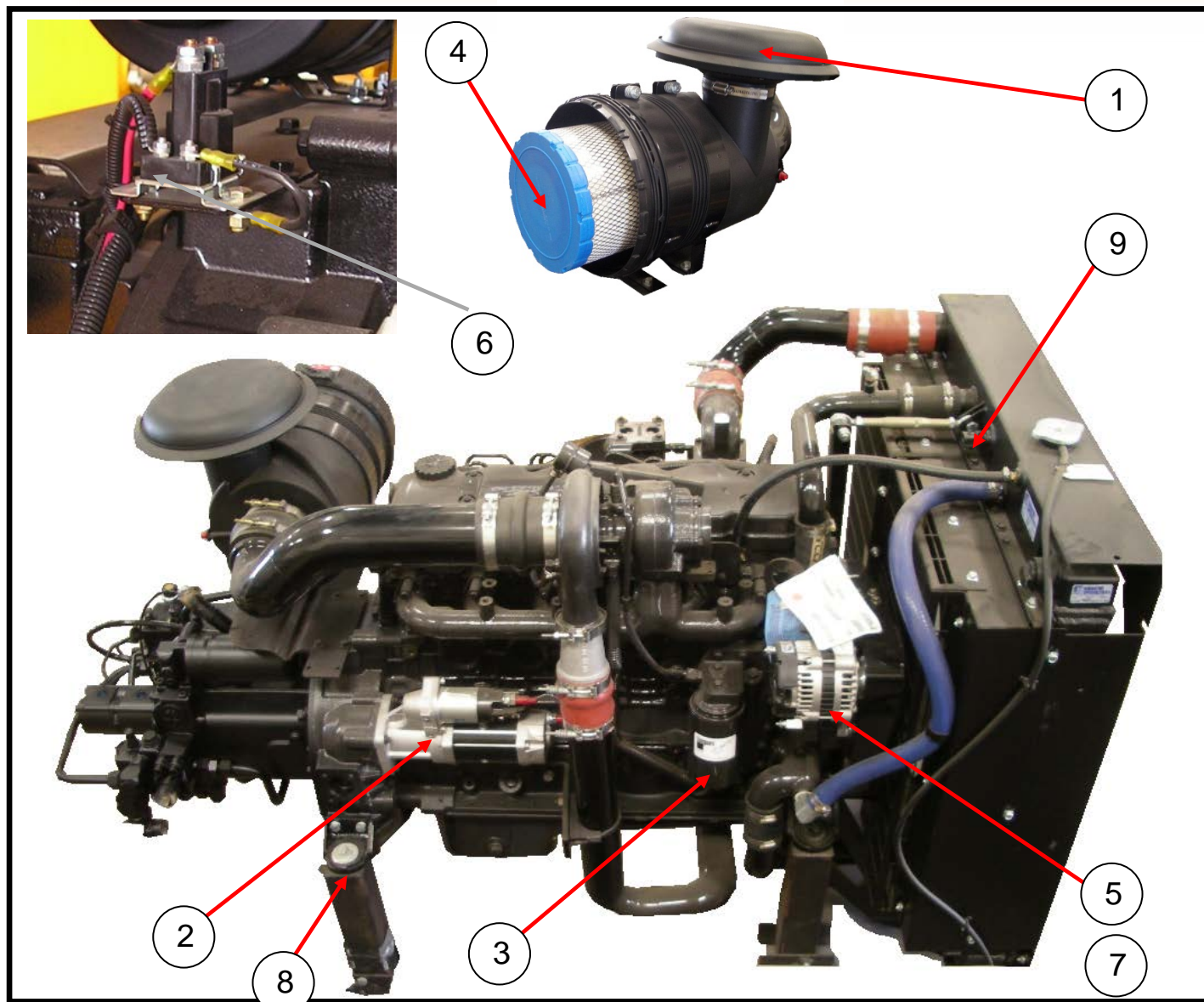
ID #	PART #	PART DESCRIPTION	QUANTITY	
1	86988	DOOR WELDMENT, CLEAN OUT	1	EA
2	86559	BLOCK, CLEAN OUT DOOR, LH	1	EA
3	86560	BLOCK, CLEAN OUT DOOR, RH	1	EA
4	86922	SHOULDER SCREW 1" DIA-1 1/4"	1	EA
5	W-102908A	O-RING CORD, HOPPER DOOR	2.21	FT

## POWER TRAIN ENGINE, PUMPS, AND FILTERS



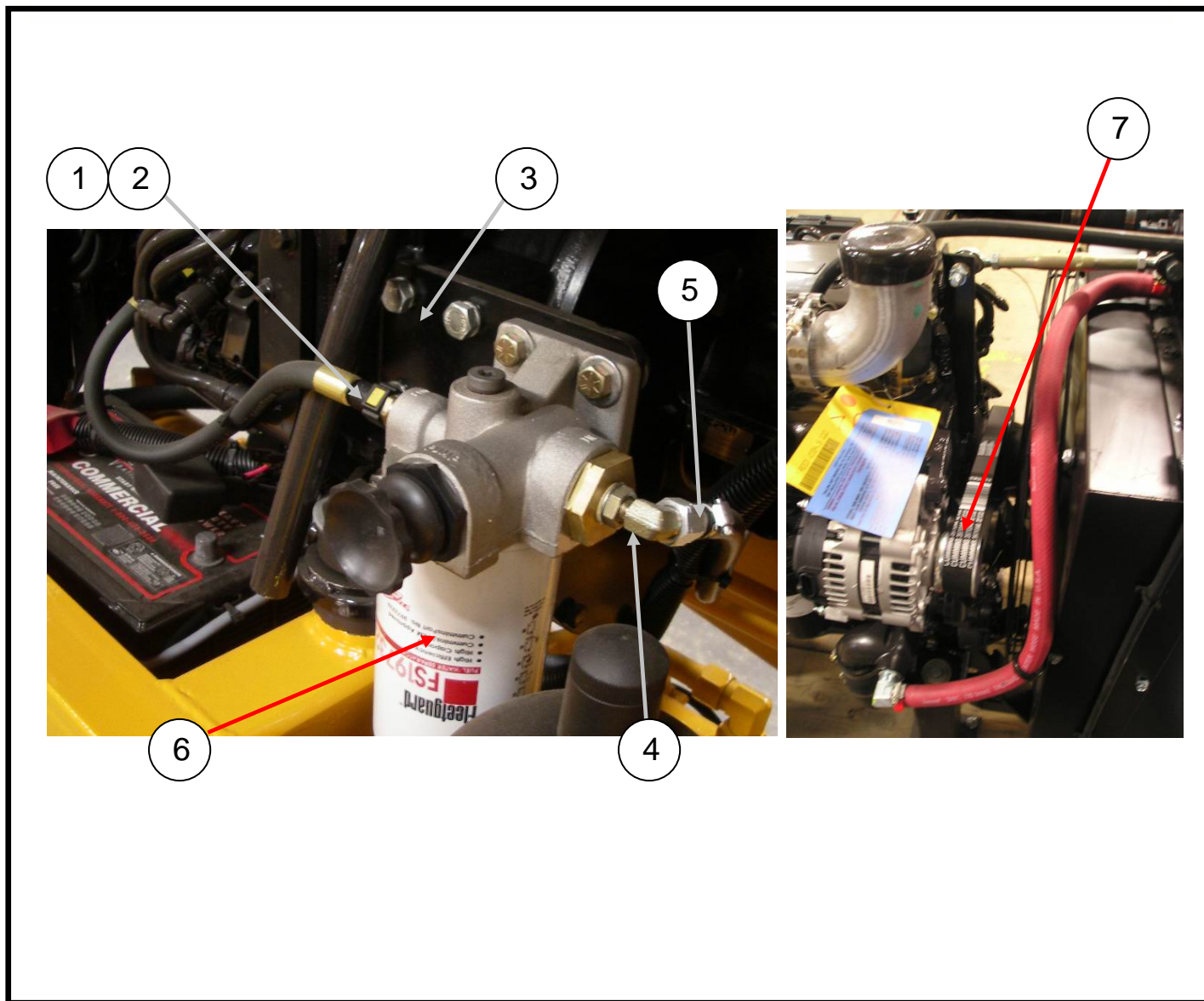
ID #	PART #	PART DESCRIPTION	QUANTITY	
	87929	POWER TRAIN GROUP	REF	
1	87572	ENGINE QSB6.7 160HP. CUMMINS	1	EA
2	88174	O-RING A PAD	1	EA
3	87360	PUMP DRIVE -SAE 3 - SAE D	1	EA
4	87929-P	HYD PUMP ASSY 125CC REXROTH	1	EA
5	87725-014	AIR FILTER HOUSING ASSEMBLY	1	EA
6	87725-015	AIR FILTER HOUSING COVER, DUST EJECTION	1	EA
7	87725-002	FUEL FILTER	1	EA
8	87725-021	FAN, PULLER STYLE, DR3298	1	EA
9	87725-018	HARNESS ASSY CUMMINS QSB4.5 & 6.7	REF	
10	87725-020	CABLE SENDING FUEL/WATER SEPERATOR	REF	
11	87725-022	HARNESS POWER WIRE	REF	

## ENGINE, PUMPS, AND FILTERS CONTINUED



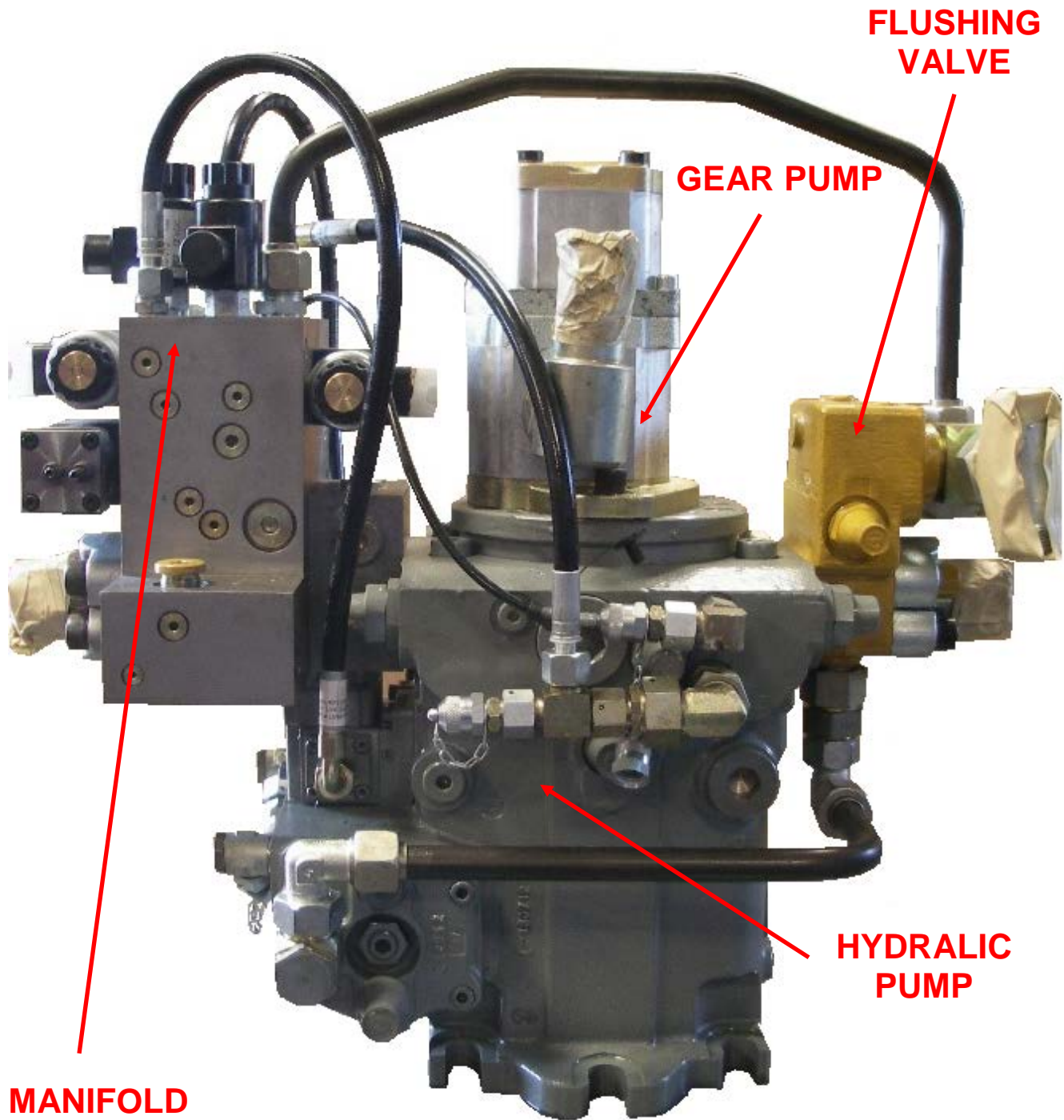
ID #	PART #	PART DESCRIPTION	QUANTITY	
1	87725-013	INLET HOOD AIR FILTER 5" FOR 87572 6 CYL CUMMINS	1	EA
2	87725-011	STARTER MOTOR FOR 160 &220 HP	1	EA
3	87725-001	OIL FILTER	1	EA
4	87725-004	AIR FILTER ELEMENT	1	EA
5	87725-007	ALTERNATOR-87572	1	EA
6	87541	RELAY STARTER 12VDC-SELL W/87544	1	EA
7	87669	PIGTAIL HARNESS, FOR CUMMINS ALTERN	1	EA
8	73269	GROUND STRAP	1	EA
9	87725-025	LIQUID LEVEL SENSOR CUMMINS	REF	EA

## ENGINE, PUMPS, AND FILTERS CONTINUED



ID #	PART #	PART DESCRIPTION	QUANTITY	
1	88036	FITTING FUEL LINE, QUICK DISCONNECT	1	EA
2	88037	WASHER SEALING FOR 88036 FITTING	1	EA
3	87793	MOUNT FUEL FILTER, C SER CUMMINS	1	EA
4	87567	FITTING 90DEG METRIC TO JIC	2	EA
5	87566	FITTING BARBED JIC-STEM, 3/8-3/8	2	EA
6	87725-003	FUEL/WATER SEPARATOR REPLACEMENT	1	EA
7	87725-005	FAN BELT	1	EA

MAIN HYDRALIC PUMP 125cc  
REXROTH



**87929-P**

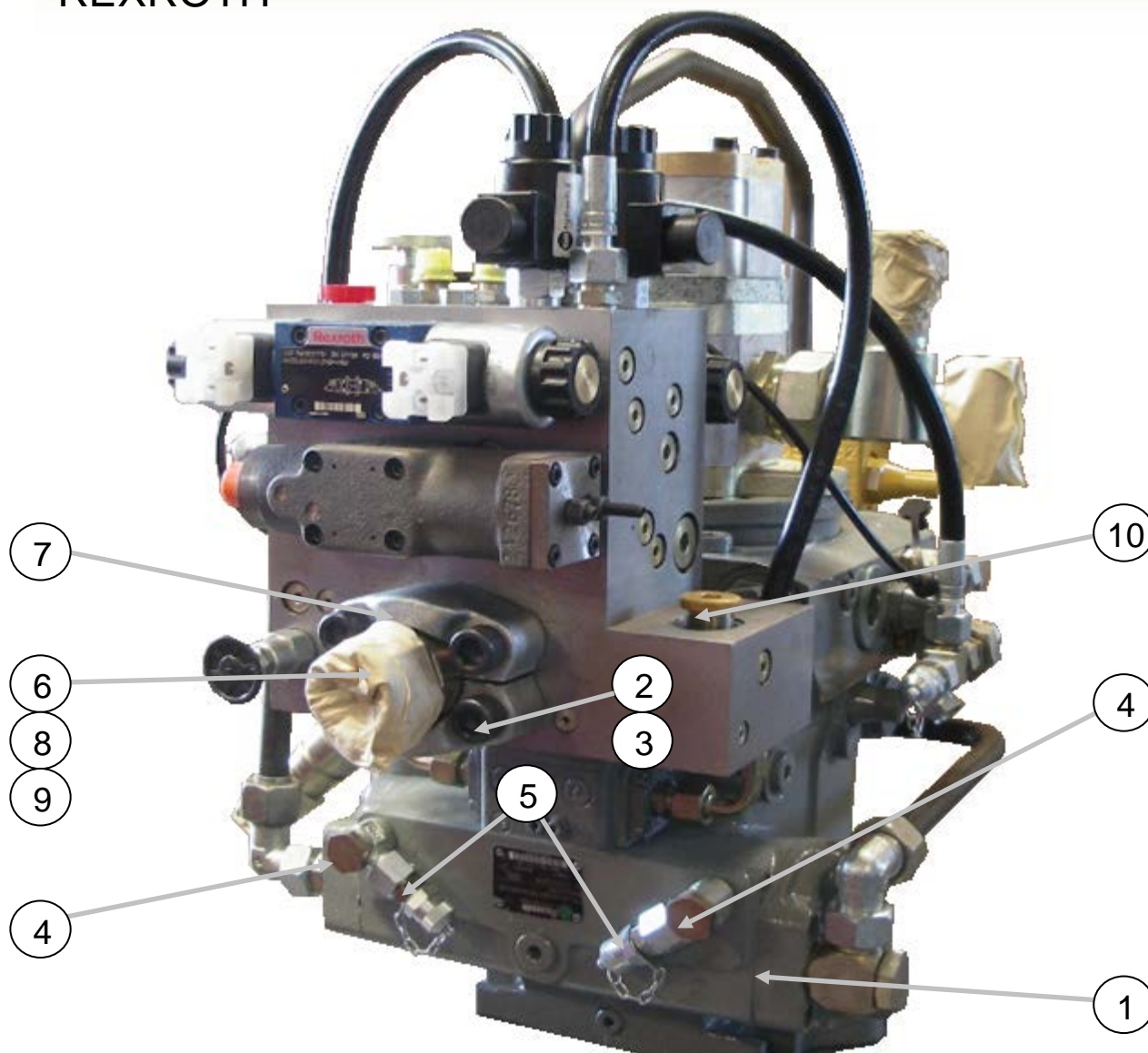


# C70SDRV11

PARTS

13822 Oaks Avenue  
Chino, CA 91710  
reedpumps.com  
1-(909) 287 - 2100

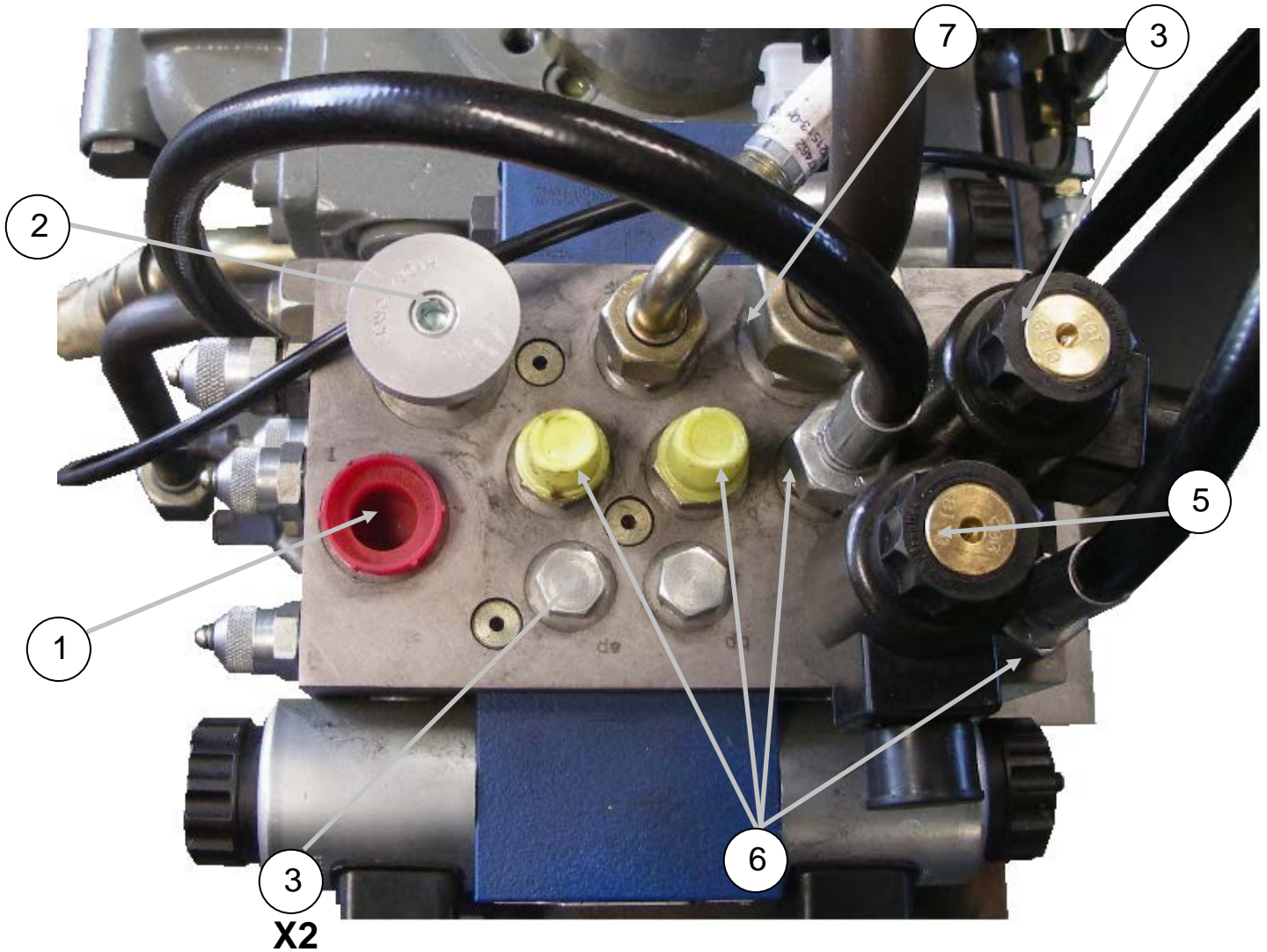
## MAIN HYDRALIC PUMP 125cc REXROTH



ID #	PART #	PART DESCRIPTION	QUANTITY	
	87929-P	HYDRALIC PUMP ASSY, 125cc, REXROTH	1	REF
1	W-109842	PUMP, AVG180 CC SAE B PAD WITH FLUSHING VALVE	1	EA
2	87458	SHCS, M14X200-GR 12.9	4	EA
3	803165	M14-LOCK WASHER	4	EA
4	801874-007	BANJO ELBOW 12LX16MX1.5	2	EA
5	W-105076	FITTING, GAUGE FITTING-L12	2	EA
6	87576	FLANGE ADAPTER, 1 1/4" SAE-30S	1	EA
7	86265-003	SPLIT FLANGE-CODE 62-20 SAE	1	EA
8	802763	O-RING #222, BUNA 90 SHORE	1	EA
9	801888-007	SWIVEL ELBOW-30S	1	EA
10	801871-004	PLUG - 1/2 BSPP	2	EA

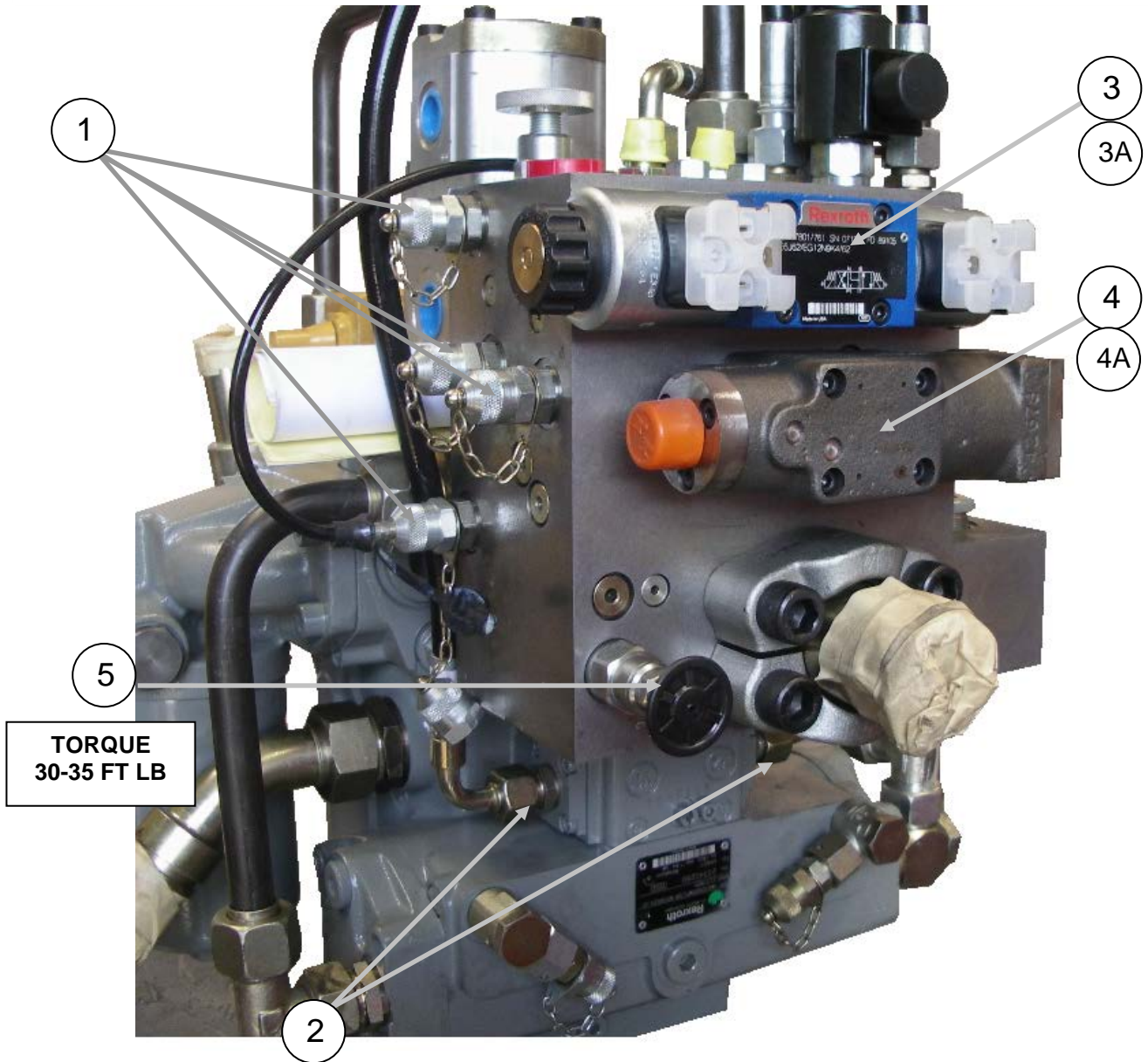
## MAIN HYDRALIC PUMP 125cc

### REXROTH



ID #	PART #	PART DESCRIPTION	QUANTITY	
1	81002	FITTING-MB-MJ-8-10	1	EA
2	86952-002	FLOW CONTROL CAT/W KNOB (HYDRAFOCE)	1	EA
3	87568	PLUG O-RING BOSS SAE-4	2	EA
4	88140	PRESSURE REDUCING ELECTRO PROPORSIONAL (PWM)	1	EA
5	?	DNDA-MNN-212	1	EA
6	801876-001	ADAPTOR-12L X SAE 6	5	EA
7	801876-006	ADAPTOR-18L X SAE 10	1	EA

## MAIN HYDRALIC PUMP 125cc REXROTH

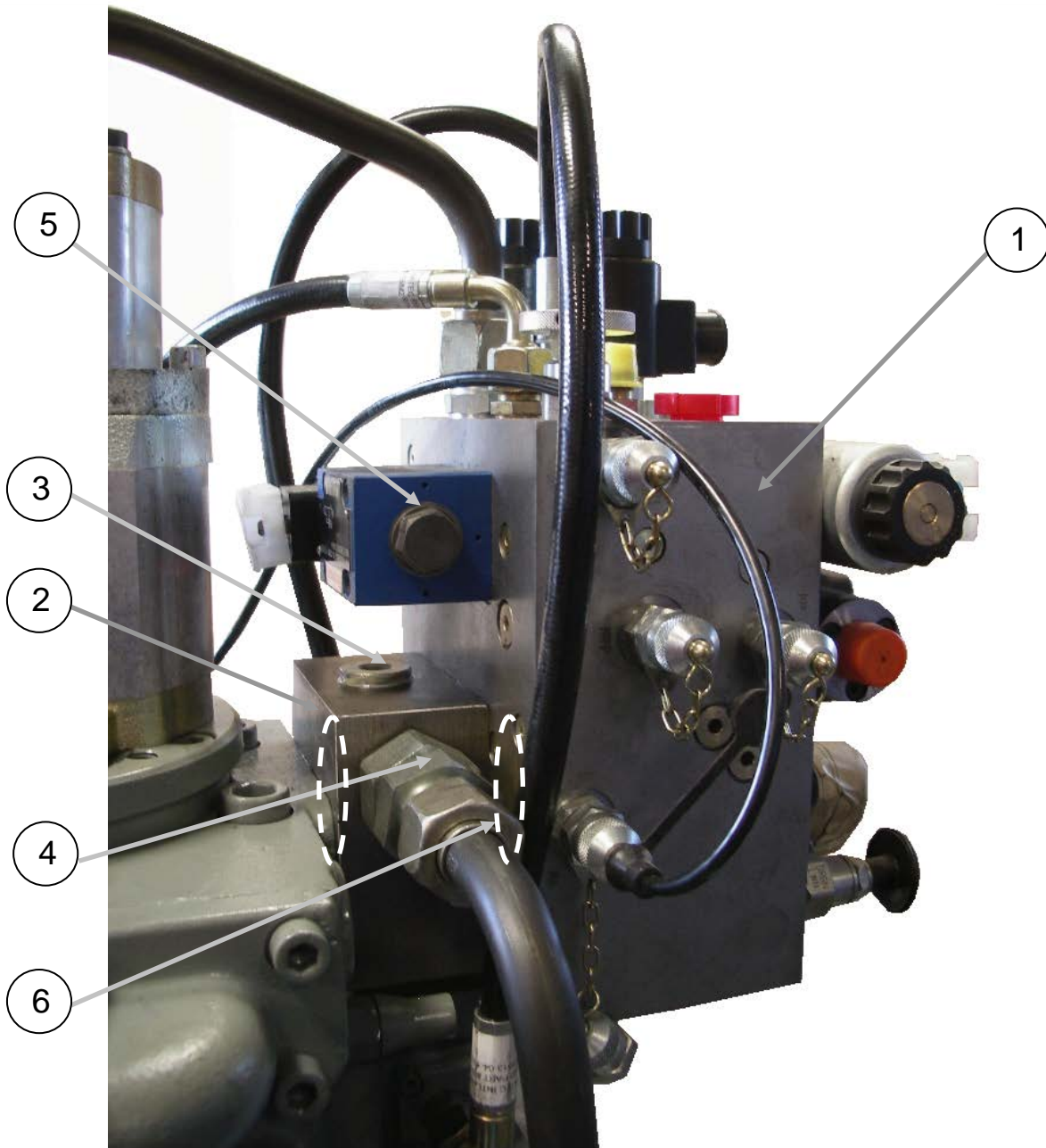


**TORQUE  
30-35 FT LB**

ID #	PART #	PART DESCRIPTION	QUANTITY	
1	87661	TEST POINTS M16X2-SAE6 MALE	4	EA
2	801872-013	ADAPTER, 12LXM12X1.5	2	EA
3	W-105581	SOLENOID VALVE, PUMP	1	EA
3A	W-105575	SEAL KIT FOR W-105581	1	EA
4	W-105579	HP CONTROL VALVE	1	EA
4A	W-105580	SEAL KIT	1	EA
5	87959	CARTRIDGE LODGIC (4500 PSI)-(TORQUE 30-35 FT LB)	1	EA

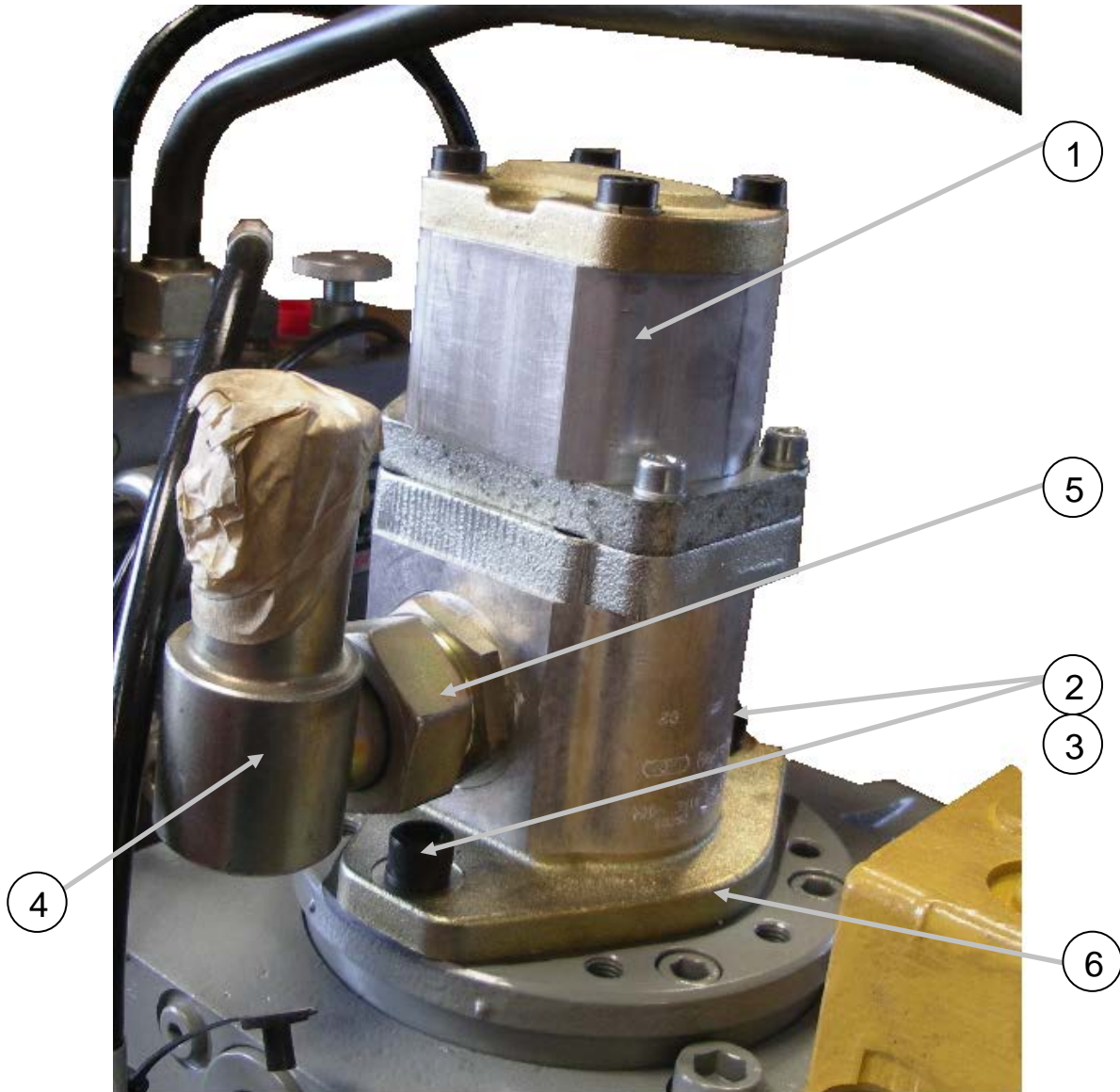


## MAIN HYDRALIC PUMP 125cc REXROTH



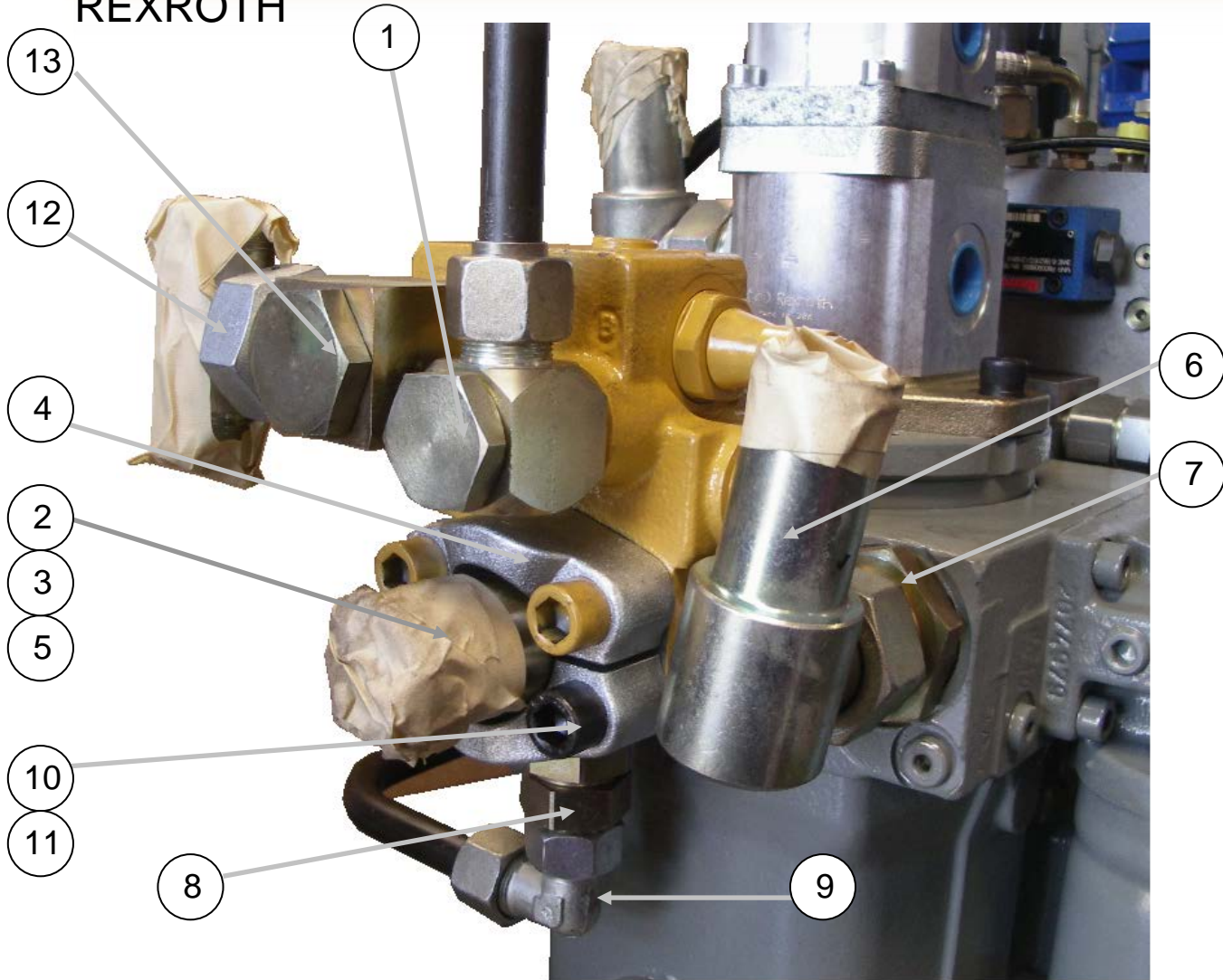
ID #	PART #	PART DESCRIPTION	QUANTITY	
1	86952	MANIFOLD, CLOSE LOOP MASTER CONTROL	1	EA
2	801778	MANIFOLD, A4VG125 / A4VG180	1	EA
3	801871-004	PLUG – ½ BSPP	2	EA
4	801901-004	CHECK VALVE – 18L X ½ BSPP-PORT	1	EA
5	?	FAST CHANGE VALVE (PUSHOVER VALVE)	1	EA
6	802763	O-RING #222, BUNA 90 SHORE	1	EA

MAIN HYDRALIC PUMP 125cc  
REXROTH



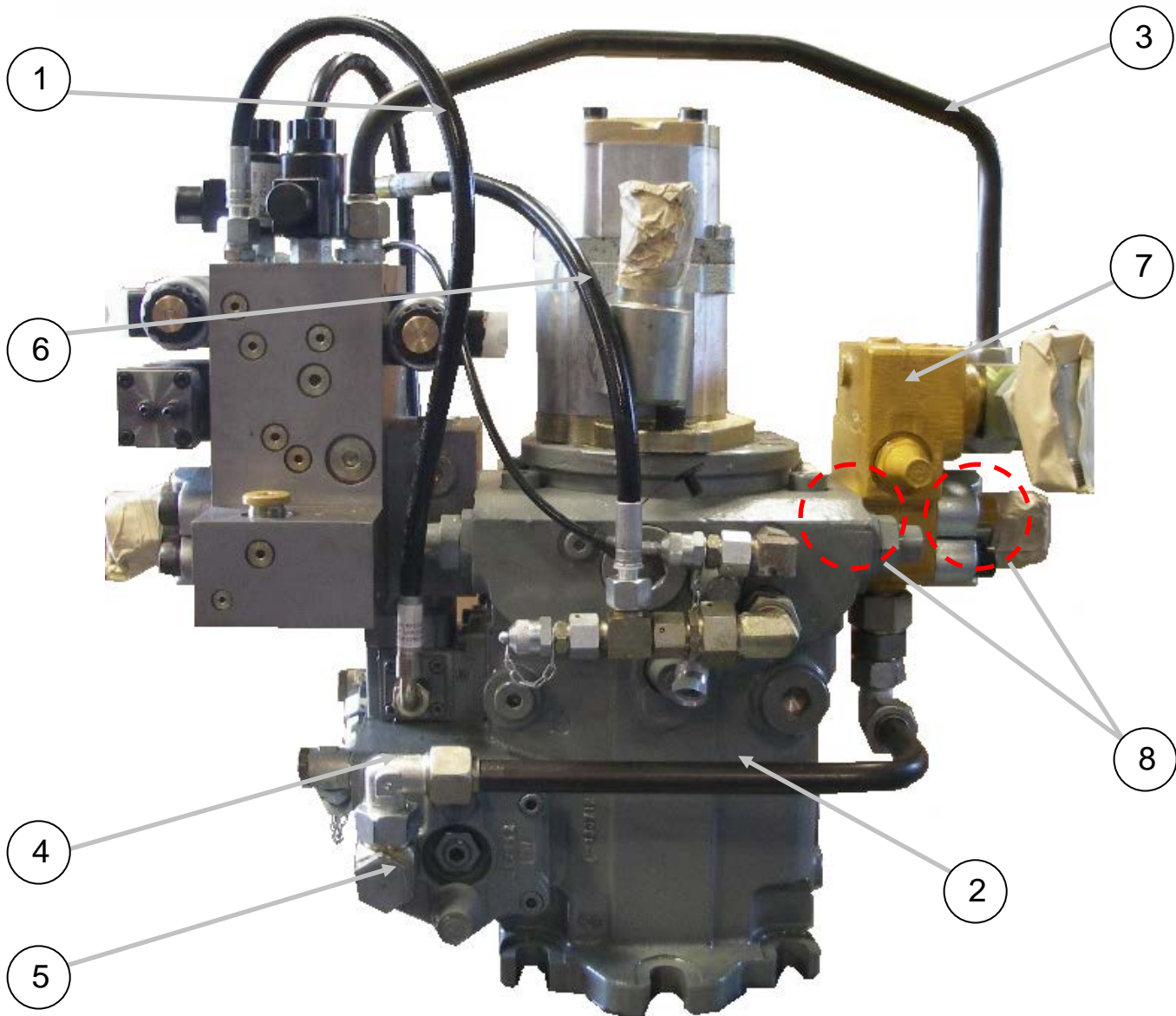
ID #	PART #	PART DESCRIPTION	QUANTITY	
1	87445-1	GEAR PUMP, 25/11.3CC RH B-PAD SPL	1	EA
2	803153	BOLT, M12X1.75X35 HEX 10.9 DIN933	2	EA
3		M12x35 FLAT WASHER	2	EA
4	801506	ADAPTER-90L-35L (F) X 1.50 HOSE	1	EA
5	801517	ADAPTER-STR-35L (M) X SAE16 (M)	1	EA
6	W-109842	O-RING	1	EA

## MAIN HYDRALIC PUMP 125cc REXROTH

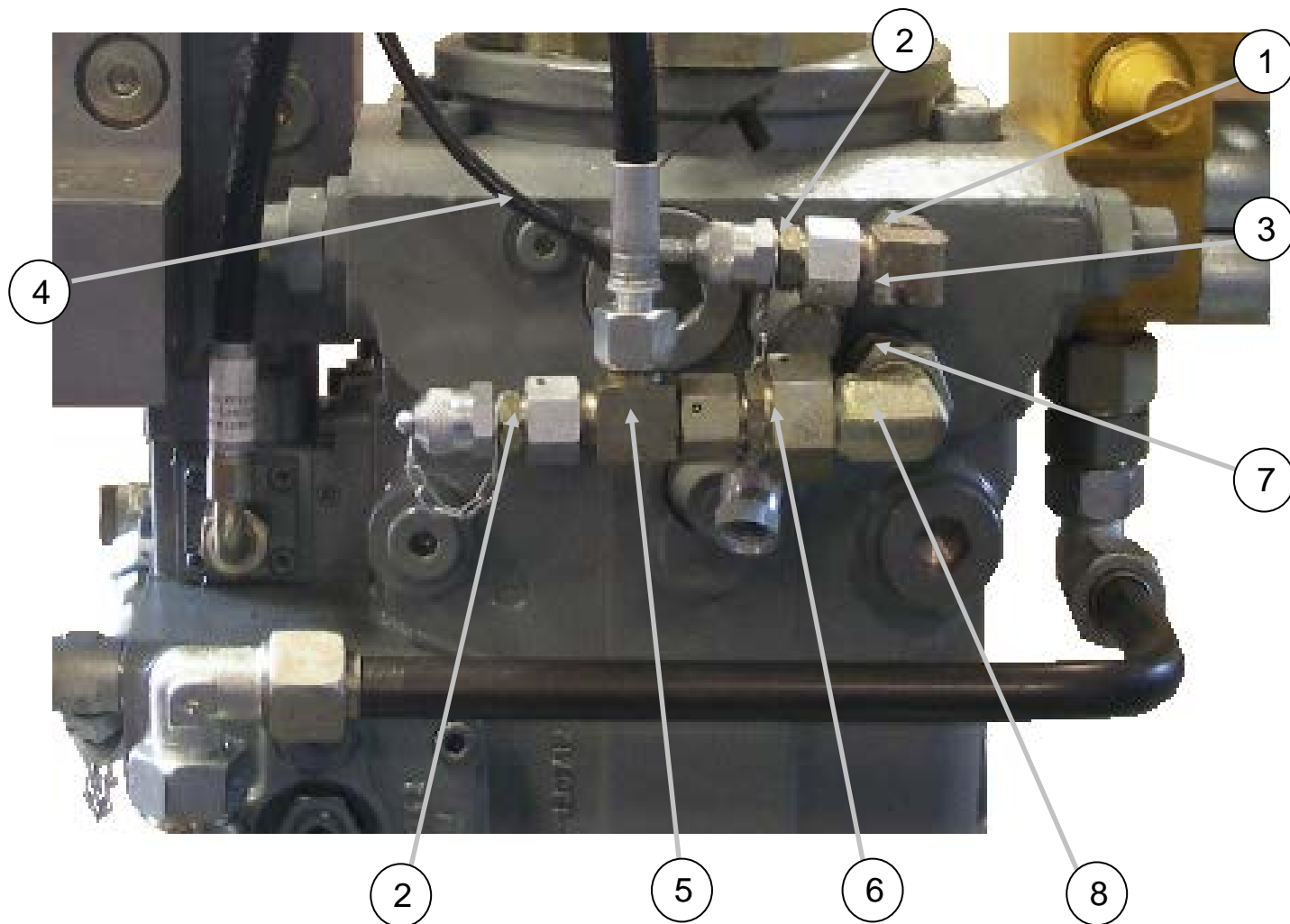


ID #	PART #	PART DESCRIPTION	QUANTITY	
1	801875-008	BANJO ELBOW-18L X 3/4 BSPP	1	EA
2	87576	FLANGE ADAPTER, 1 1/4" SAE-30S	1	EA
3	801888-007	SWIVEL ELBOW-30S	1	EA
4	86265-003	SPLIT FLANGE-CODE 62-20 SAE	1	EA
5	802763	O-RING #222, BUNA 90 SHORE	1	EA
6	801506	ADAPTER-90L-35L (F) X 1.50 HOSE	1	EA
7	801526	ADAPTER-STR-35L (M) X M48X2.0 (M)	1	EA
8	801901-004	CHECK VALVE - 18L X 1/2 BSPP-PORT	1	EA
9	801888-005	SWIVEL ELBOW-18L	1	EA
10	803164	M14X100 BOLT	4	EA
11	803165	M14 LOCK WASHER	4	EA
12	801889-006	SWIVEL BRANCH TEE - 25S	1	EA
13	801875-004	BANJO ELBOW-25SX1 BSPP	1	EA

## MAIN HYDRALIC PUMP 125cc REXROTH

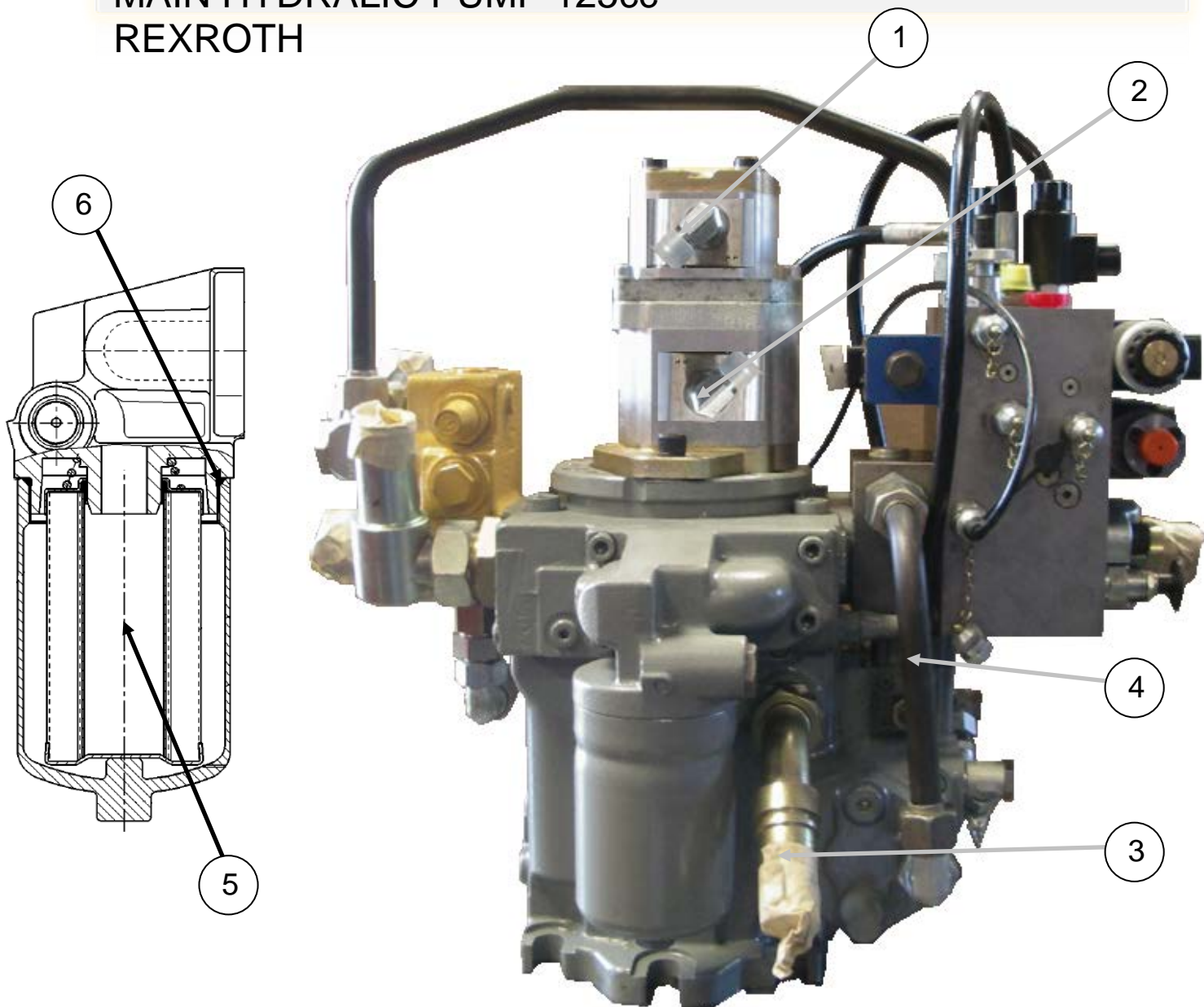


ID #	PART #	PART DESCRIPTION	QUANTITY	
1	87461	HOSE, THERMOPLASTIC, 12L ENDS-24"	2	EA
2	801795	TUBE- HYD -PTO ASSY	1	EA
3		HARD LINE	1	EA
4	801888-005	SWIVEL ELBOW-18L	1	EA
5	801874-004	BANJO ELBOW 18LX22MX1.5	1	EA
6	87462	HOSE, THERMOPLASTIC, 12L ENDS-16"	1	EA
7	W-104949	FLUSHING VALVE, REXROTH	1	EA
8	802763	O-RING #222, BUNA 90 SHORE	1	EA

**MAIN HYDRALIC PUMP 125cc**  
**REXROTH**

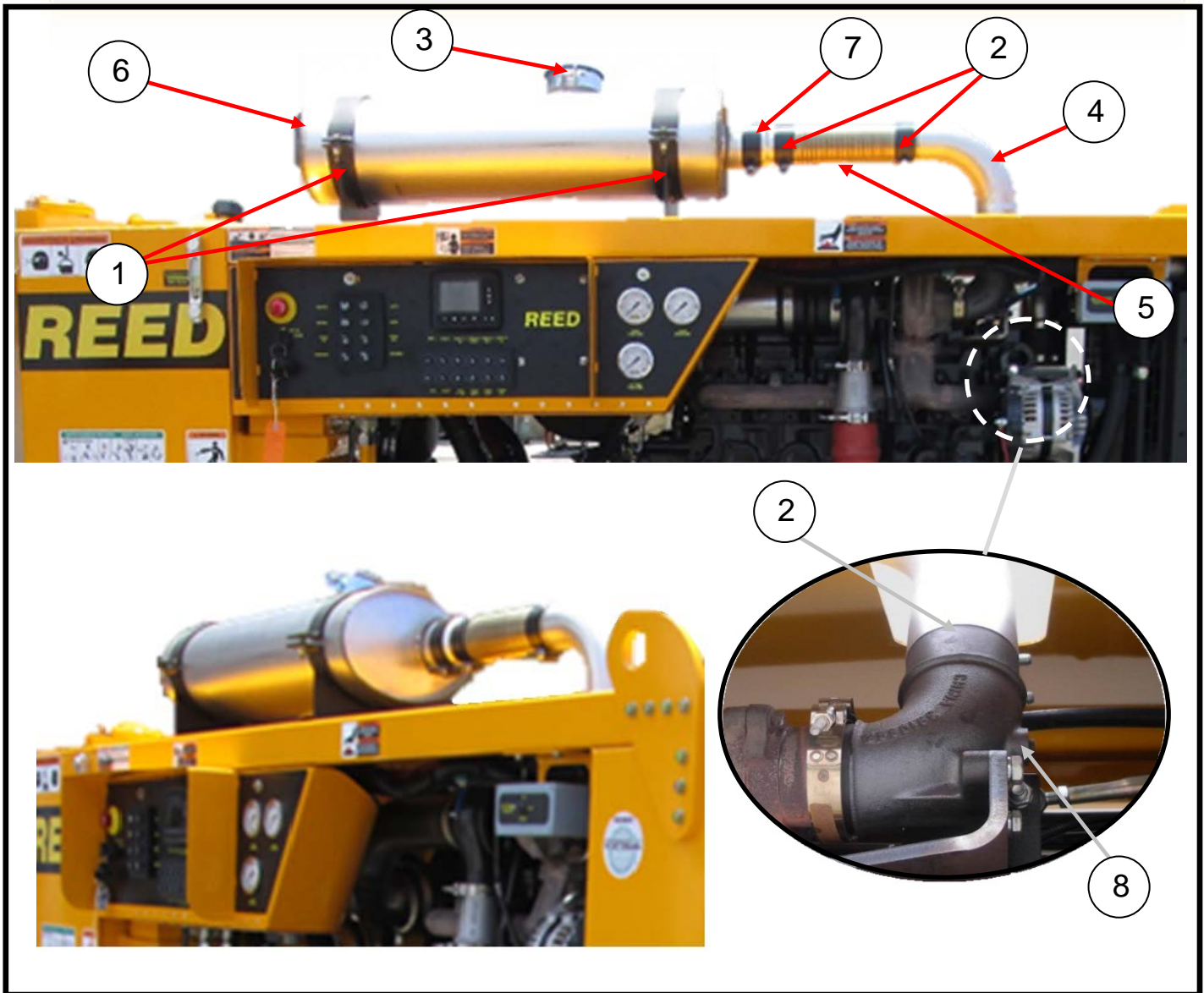
ID #	PART #	PART DESCRIPTION	QUANTITY	
1	801872-004	ADAPTOR – 12L X M18 X 1.5	1	EA
2	W-105076	FITTING, GAUGE FITTING-L12	2	EA
3	801888-003	SWIVEL ELBOW-12L	1	EA
4	87614	MINICHECK HOSE, 24" 16-20 ENDS	1	EA
5	801890-003	SWIVEL RUN TEE, 12L	1	EA
6	801891-008	TUBE REDUCER-18LX12L	1	EA
7	801872-007	ADAPTOR 18LXM22 1.5	1	EA
8	801888-005	SWIVEL ELBOW – 18L	1	EA

**MAIN HYDRALIC PUMP 125cc**  
**REXROTH**



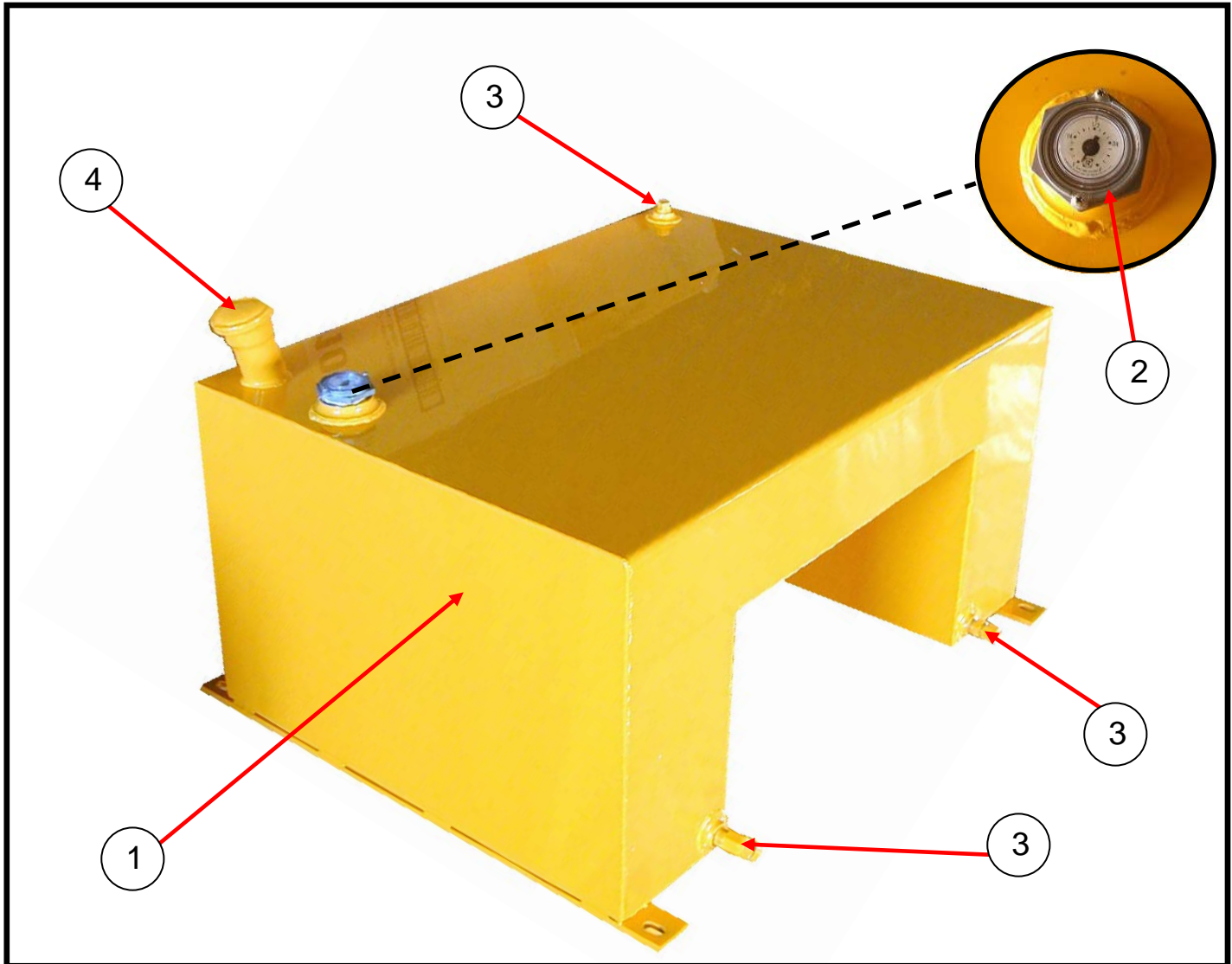
ID #	PART #	PART DESCRIPTION	QUANTITY	
1	86728-014	ELBOW, MB-MJ90-10-10	1	EA
2	86900-023	ELBOW, MB-MJ90-12-12	1	EA
3	W-105169	ADAPTOR – 49-28L (F) 1 ¼" HOSE	1	EA
4	801793	TUBE – HYD – PTO ASSY	1	EA
5	801499	FILTER, FOR AVG125 CHARGE PUMP	1	EA
6	801499-ORING	FILTER O-RING 02.079- 78,97 X 3,53-S-FKM70	1	EA

### EXHAUST



ID #	PART #	PART DESCRIPTION	QUANTITY	
	87584	EXHAUST GROUP	REF	
1	87585	BRACKET MUFFLER MOUNT	2	EA
2	87578	EXHAUST CLAMP, BENT BOLT 3"	3	EA
3	77597	RAIN CAP 4" ZINC	1	EA
4	87983	EXHAUST ELBOW 3" OD-ID 6" RAD	1	EA
5	87579	EXHAUST FLEX TUBE, 3" 12" LONG	1	EA
6	87583	MUFFLER C SER CUMMINS	1	EA
7	87581	EXHAUST CLAMP, BENT BOLT 3.5"	1	EA
8	74679	PLUG 1/4" NPT SOCKET HEAD	2	EA

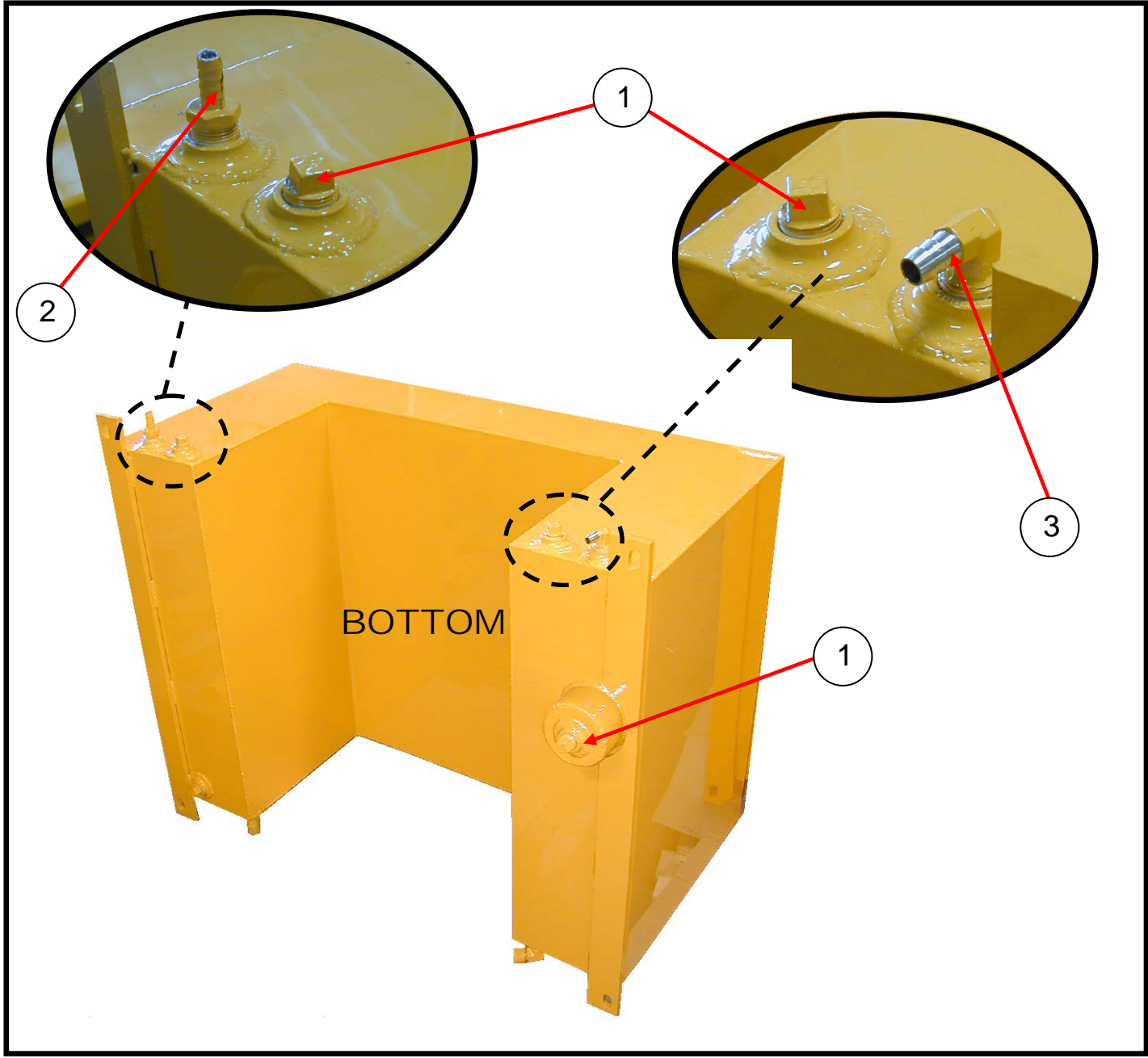
**TANKS**  
**FUEL TANK ASSEMBLY**



ID #	PART #	PART DESCRIPTION	QUANTITY	
	87536	FUEL TANK ASSY C-SERIES	1	EA
1	87535	FUEL TANK WELDMENT, C-SERIES-2007	1	EA
2	77191	FUEL GAUGE, 18 IN	1	EA
3	10297	PLUG-GALV 1/2" (AS NEEDED)	REF	EA
REF	74716	HOSE-3/8 SAE 30R7 BACK	10	FT
REF	10577	CLAMP-HOSE FOR 1/2" OD	4	EA
REF	85669-004	HOSE, 8FLH-10FJX-10FJX904-24.00	1	EA
4	85570	FUEL CAP, 1 1/2" IN VENTED	1	EA

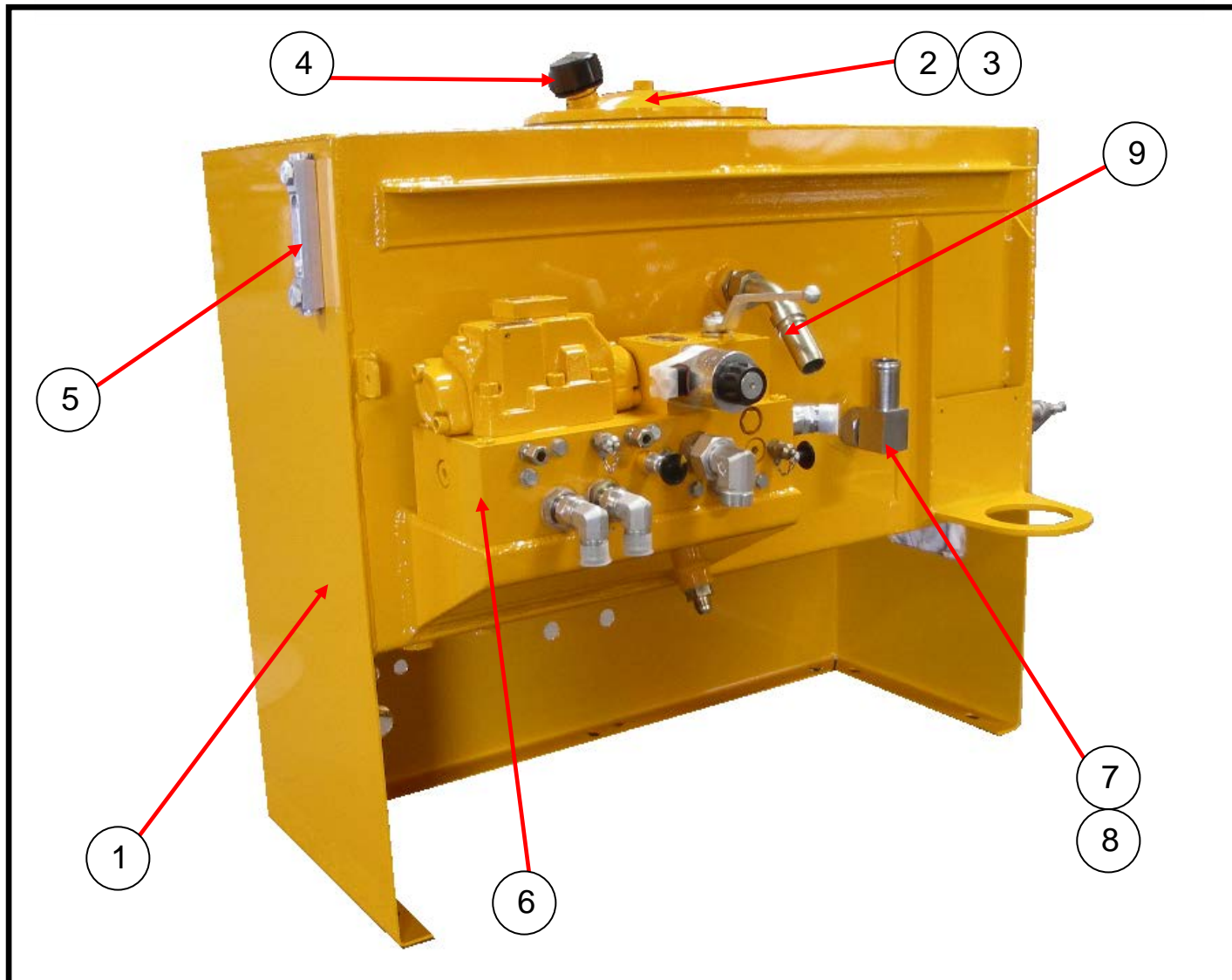


TANKS  
FUEL TANK ASSEMBLY CONT



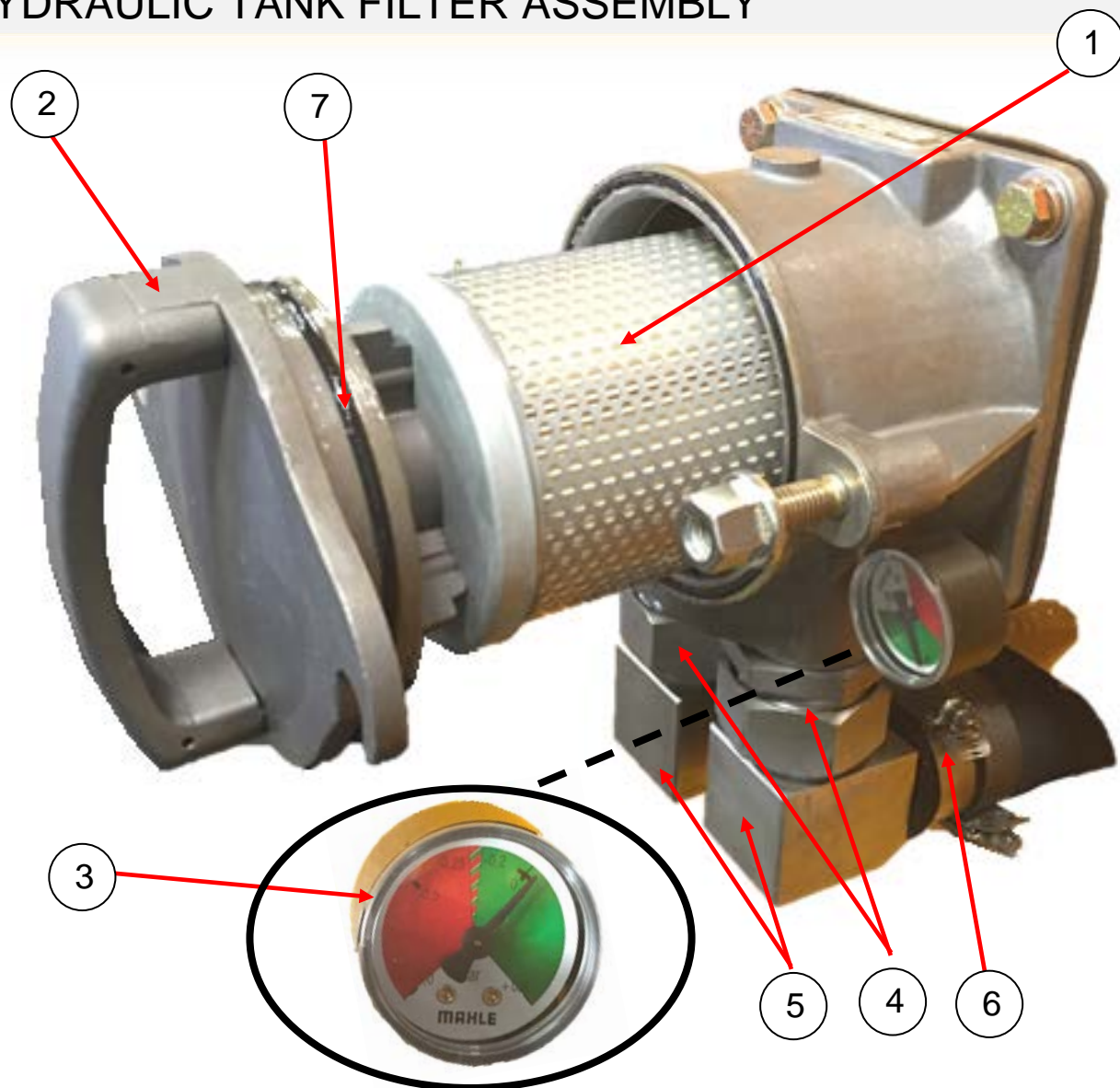
ID #	PART #	PART DESCRIPTION	QUANTITY	
1	10297	PLUG-GALV 1/2" (AS NEEDED)	REF	EA
2	87545	FITTING BARBED-MPT, 3/8-1/2MPT (STRAIGHT)	1	EA
3	87770	FITTING BARBED 3/8 TUBE-1/2" MPT (90 DEG)	1	EA

## HYDRAULIC TANK ASSEMBLY



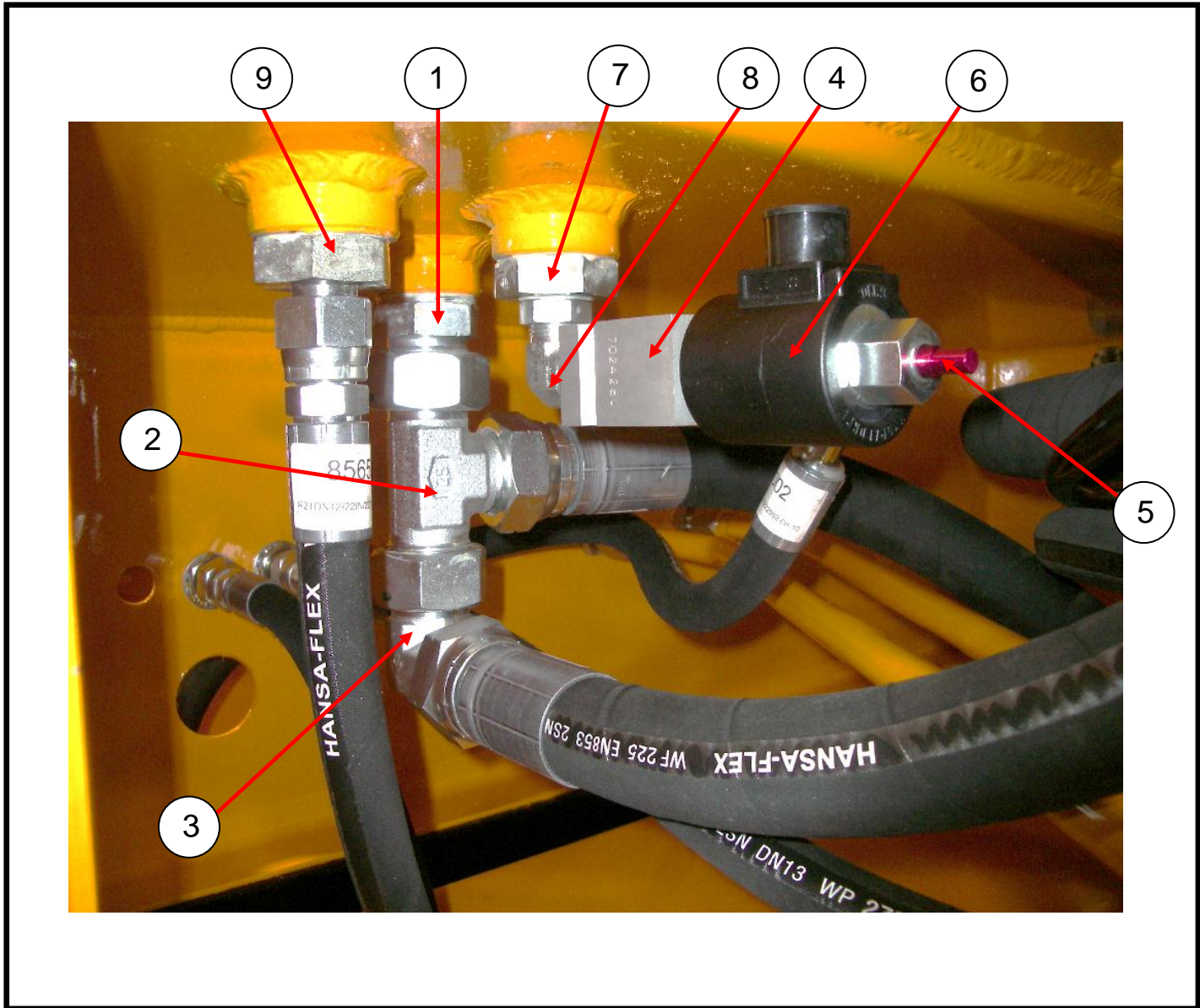
ID #	PART #	PART DESCRIPTION	QUANTITY	
	88915	HYD TANK ASSY C-SERIES	1	EA
1	88914	HYDRAULIC TANK WELDMENT, C-SERIES,2015	1	EA
2	85529	ENDCOVER KIT, 12 IN W/DRAIN	1	EA
3	85867	GASKET- END COVER 12"	1	EA
4	85537	FILLER BREATHER, 3/4 NPT	1	EA
5	74509	GAUGE, SIGHT	1	EA
6	87334	MANIFOLD, S TUBE CIRCUIT ASSY	1	EA
7	801526	ADAPTER STR-35L (M) X M48X2.0 (M)	1	EA
8	801506	ADAPTER 90-35L (F) X 1.50 HOSE	1	EA
9	W-105169	ADAPTER - 45-28L (F) X 1 1/4" HOSE	1	EA

## HYDRAULIC TANK FILTER ASSEMBLY



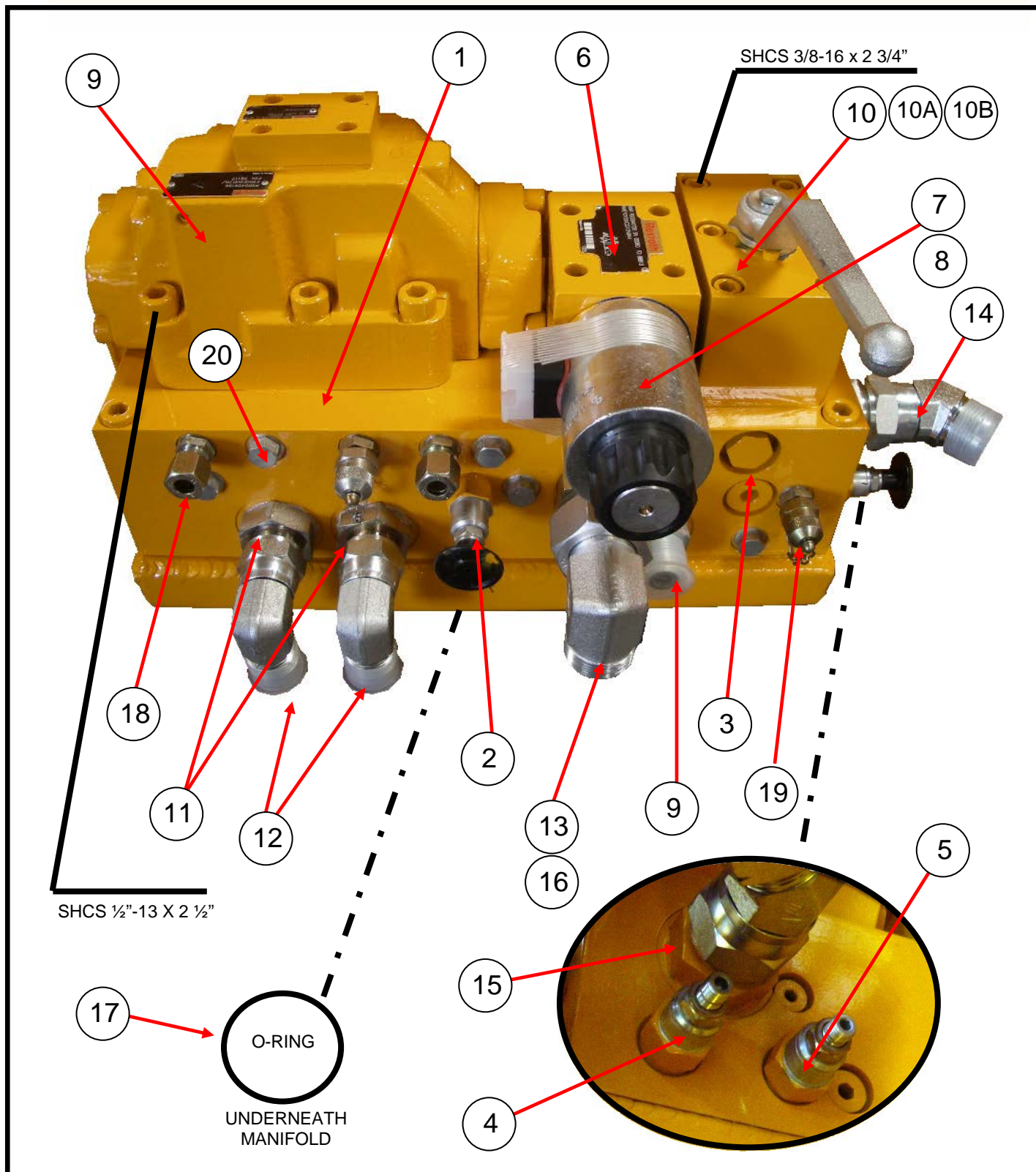
ID #	PART #	PART DESCRIPTION	QUANTITY	
1	801496-1	FILTER ASSEMBLY, SUCTION IN TANK	1	EA
2	802585-1	FILTER ELEMENT, 25 MICRON, PN 801496	1	EA
3	801496-1G	GAUGE, SUCTION FILTER	1	EA
4	801520	ADAPTER,STR-35-LX1.00"(MBSPP)SOFT SEAL/BOND ONLY	2	EA
5	801506	ADAPTER 90-35L (F) X 1.50 HOSE	2	EA
6	802287	WORM CLAMPS 1.25-2.13 DIAMETER	4	EA
7	801496-1SK	OIL FILTER SEAL KIT	REF	EA

## HYDRAULIC TANK ASSEMBLY CONTINUED



ID #	PART #	PART DESCRIPTION	QUANTITY	
1	801876-008	ADAPTER-25S X SAE 16	2	EA
2	801890-006	SWIVEL RUN TEE – 25S	1	EA
3	801888-006	SWIVEL ELBOW – 25S	1	EA
4	87154	SOLENOID VALVE ASSY, 2P-2W, NO, 12V DIN	1	EA
5	87154-C	CARTRIDGE FOR 87154 (SPARE PART)	REF	EA
6	87249	COIL 12V DC P/N 87248 (SPARE PART)	REF	
7		MB-FB-16-8	1	EA
8	81003	FITTING MB-MB-90-8-8	1	EA
9		MB-MJ-16-10	1	EA

### S-TUBE CIRCUIT MANIFOLD ASSEMBLY





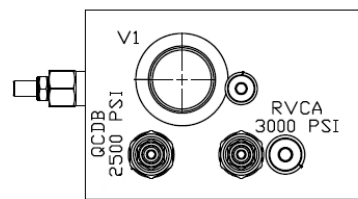
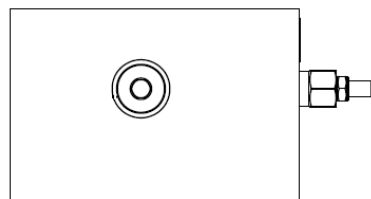
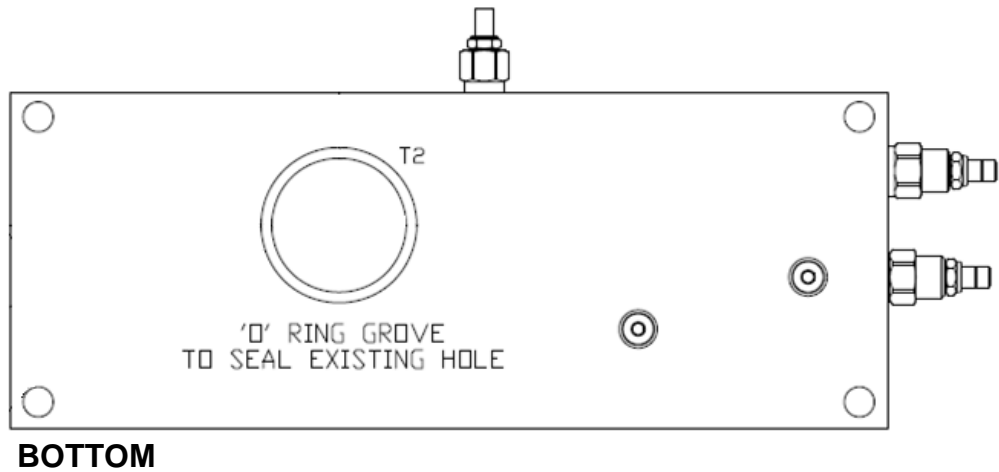
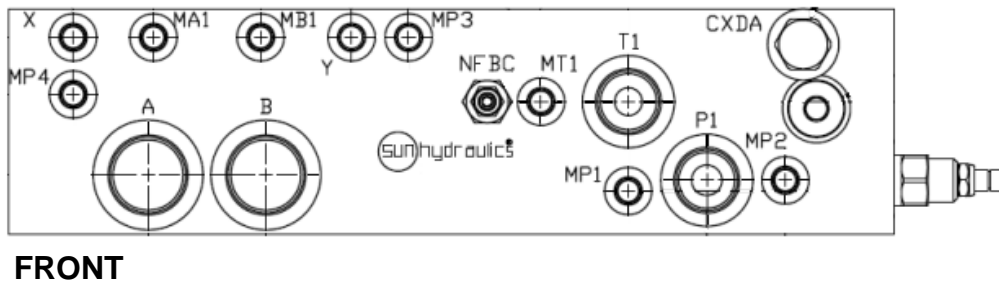
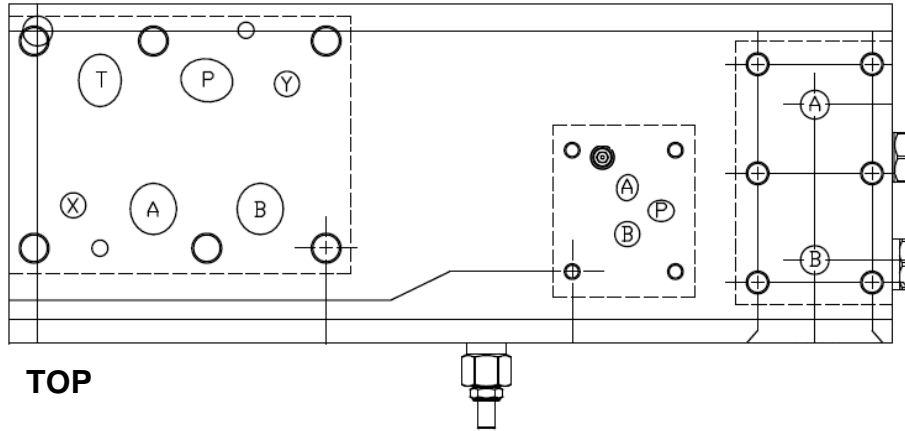
# C70SDRV11

## PARTS

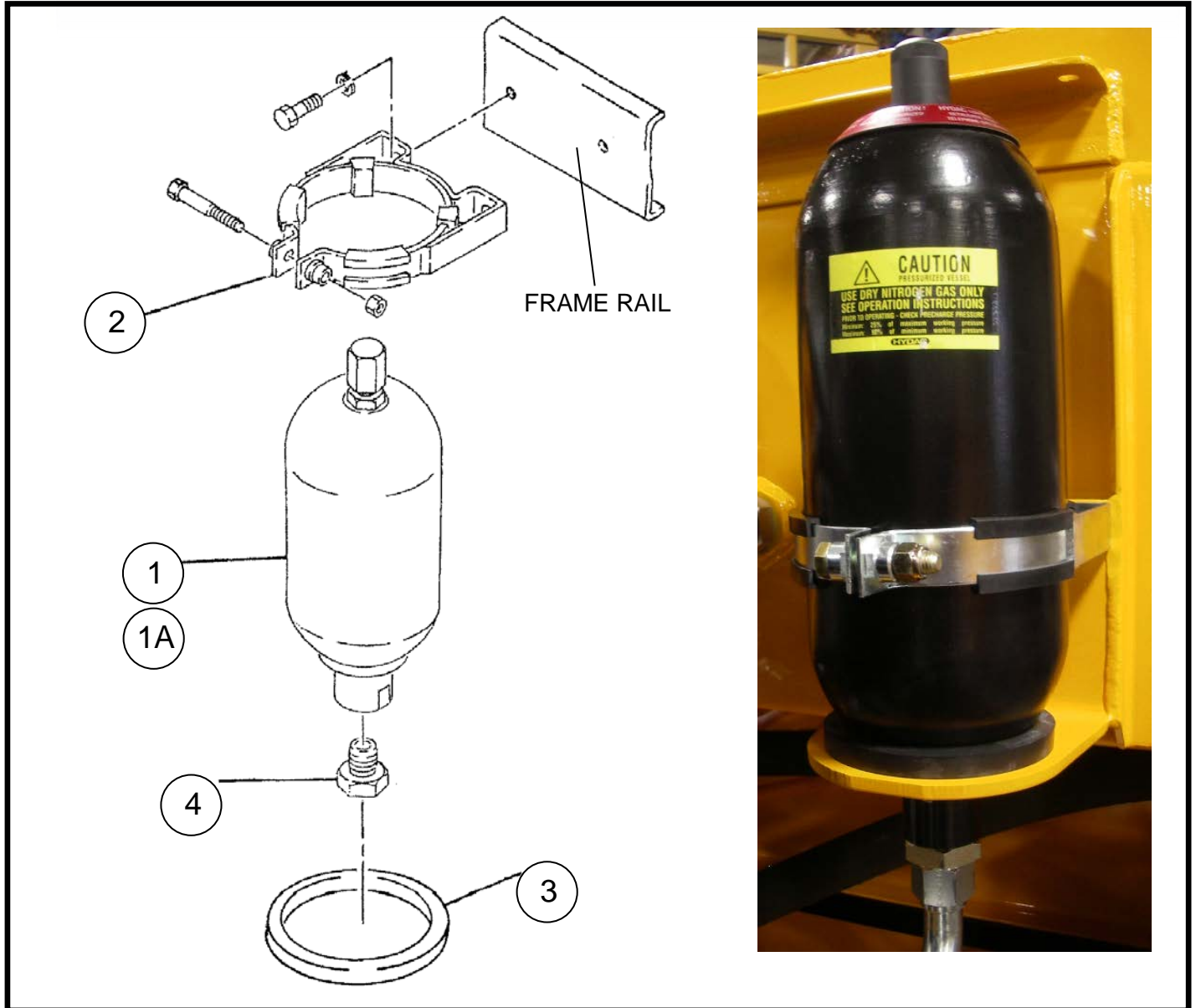
13822 Oaks Avenue  
Chino, CA 91710  
reedpumps.com  
1-(909) 287 - 2100

ID #	PART #	PART DESCRIPTION	QUANTITY	
	87334	MANIFOLD, S TUBE CIRCUIT ASSY (COMPLETE)		
1	87918	MANIFOLD MACHINED BLOCK FOR 87334	1	EA
2	87919	CARTRIDGE FLOW CONTROL FOR 87334	1	EA
3	87920	CARTRIDGE CHECK VALVE FOR 87334 (CXDA)	1	EA
4	87921	CARTRIDGE RELIEF FOR 87334 (RVCA)	1	EA
5	85704	UNLOADER VALVE CARTRIDGE, FOR 87334 (QCDB)	1	EA
6	87922	VALVE, 4/3 4WE10Y3 FOR 87334	1	EA
7	86674	COIL 12V FOR 87922	1	EA
8	W-106125	SEAL SET FOR COIL 86674	REF	
9	74935	VALVE-AUXILARY DIRECTIONAL	1	EA
10	85705	BALL VALVE, FOR 87334	1	EA
10A	85705-SK	SEAL KIT FOR 85705	1	EA
10B	85705-H	HANDLE, STEEL FOR 85705 BALL VALVE	1	EA
11	86900-027	ADAPTER MB-MJ-16-12	3	EA
12	86905-009	ELBOW MJ-FJX-90-12-12	2	EA
13	801888-006	SWIVEL ELBOW -25S	1	EA
14	801876-008	ADAPTER 25S X SAE 16	1	EA
15	86900-028	ADAPTER MB-MJ-16-16	1	EA
16	88139-016	ELBOW MJ-FJX-45-16-16	1	EA
17	86946	O-RING #230 BUNA 90DUR	1	EA
18	87468	ADAPTER -STR 10L(M) X SAE 4	2	EA
19	87660	TEST POINT M16X2-SAE 4 MALE	2	EA
20	87568	PLUG O-RING BOSS SAE 4	6	EA

## S-TUBE MANIFOLD PORTING



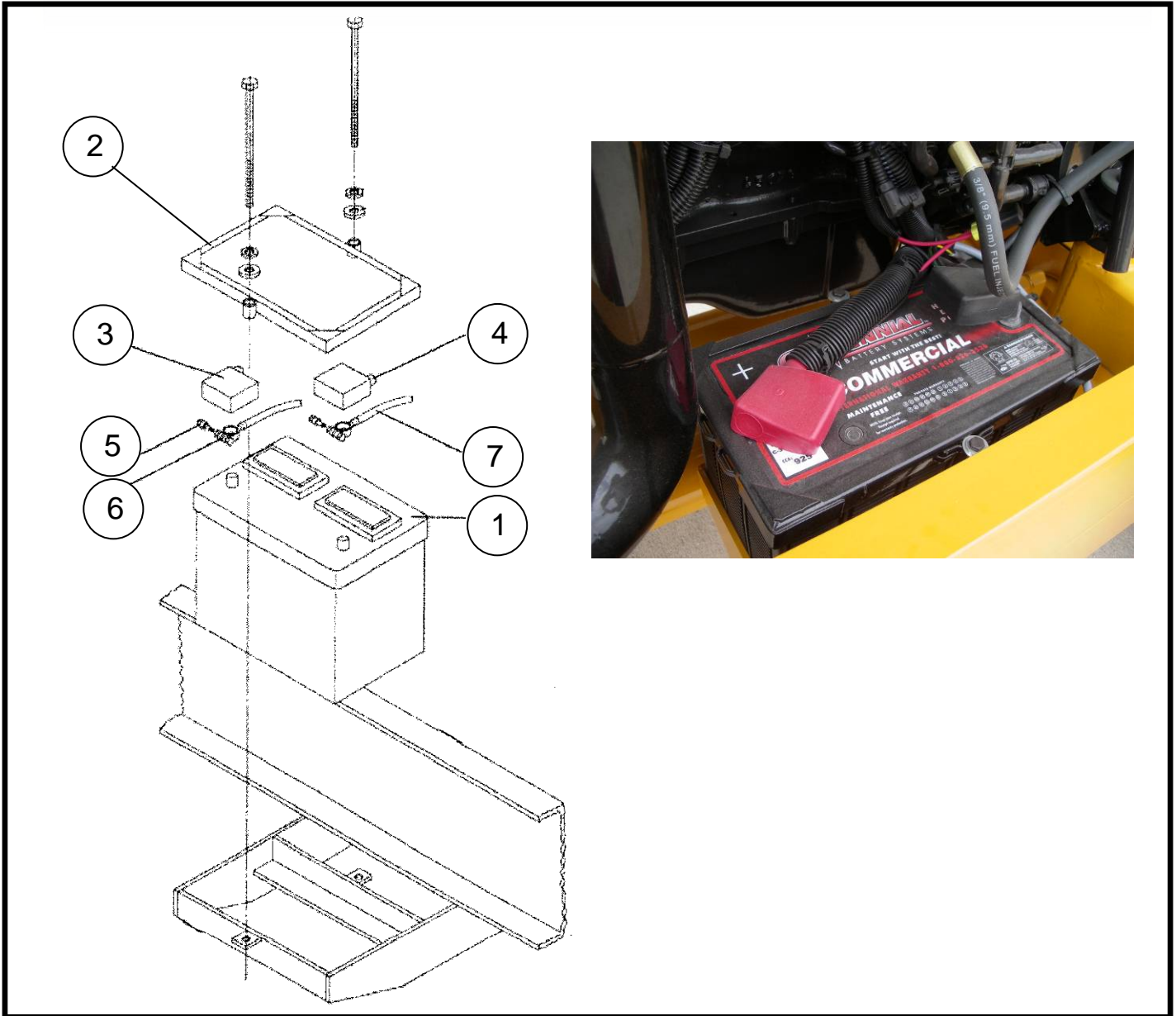
## ACCUMULATOR ASSEMBLY



ID #	PART #	PART DESCRIPTION	QUANTITY	
1	W-103616	ACCUMULATOR 6 LITER	1	EA
1A	W-105630	BLADDER REPAIR KIT FOR #W-103616	1	EA
2	73171	ACCUMULATOR BKT.W/CLOSING HARDWARE	1	EA
3	801028	GROMMET, ACCUMULATOR	1	EA
4	87471	ADAPTER-STR 1 1/4" BSPP X JIC16	1	EA

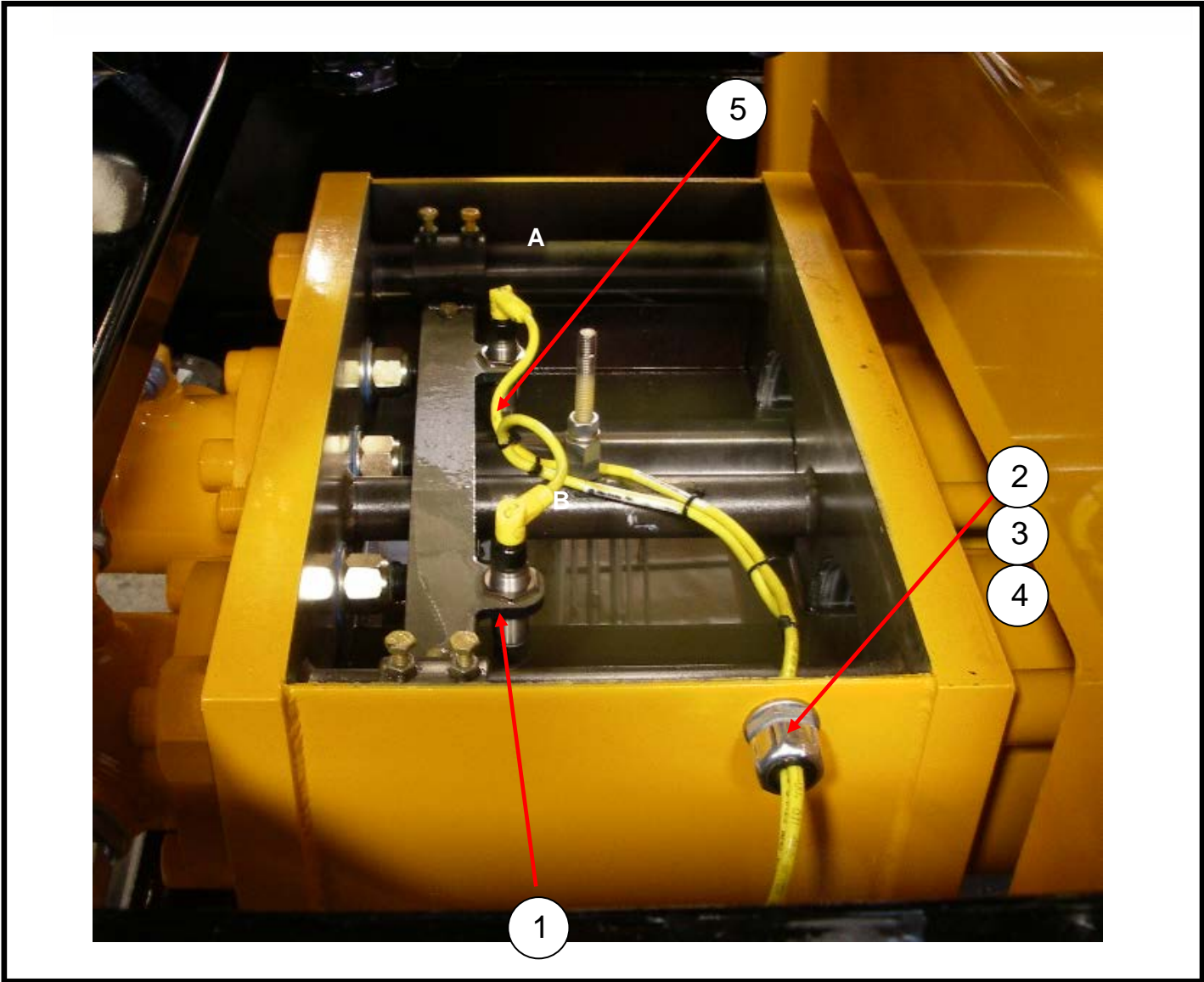


## ELECTRICAL GROUP BATTERY



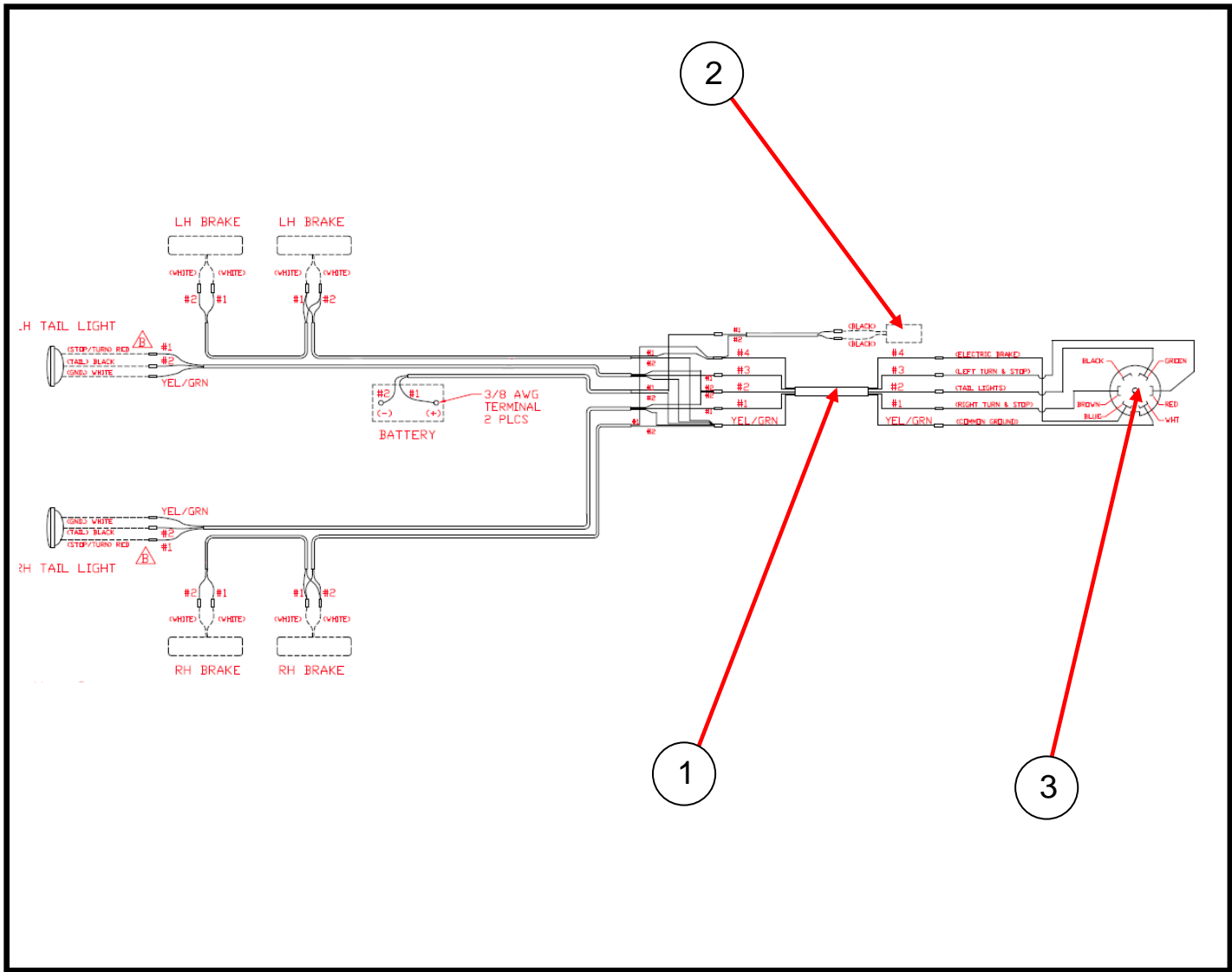
ID #	PART #	PART DESCRIPTION	QUANTITY	
	89344	ELECTRICAL GROUP PLC B-C SERIES	1	EA
1	77075	BATTERY-12V 1000 CCA31	1	EA
2	72945	BATTERY HOLD DOWN	1	EA
3	87221	INSULATOR, RIGHT ELBOW-RED	1	EA
4	87222	INSULATOR, LEFT ELBOW-BLACK	1	EA
5	87223	EXTENDER, TOP TERMINAL BOLT	2	EA
6	87732	CABLE-43" BATTERY-RED 2/0	1	EA
7	87733	CABLE-37" BATTERY-BLACK 2/0	1	EA

## PROXIMITY SWITCHES



ID #	PART #	PART DESCRIPTION	QUANTITY	
1	77998	PROXIMITY SENSOR NPN FLUSH BOX MOUT	2	EA
2	10522	STRAIN RELIEF	1	EA
3	30240	GASKET LIQUID TITE 1/2" ELECT	1	EA
4	10528	NUT-1/2" BONDING TYPE LOCK	1	EA
5	77990	CABLE, PROXIMITY SWITCH, 5M	2	EA

## TRAILER HARNESS AND BREAKAWAY



ID #	PART #	PART DESCRIPTION	QUANTITY	
1	77705	BREAK-AWAY KIT	1	EA
2	86532	TRAILER HARNESS- C-SERIES	1	EA
3	86579	TRAILER PLUG 7C FLAT PI	1	EA
4	72949	GROMMET	1	EA
5	72813	GROMMET	1	EA

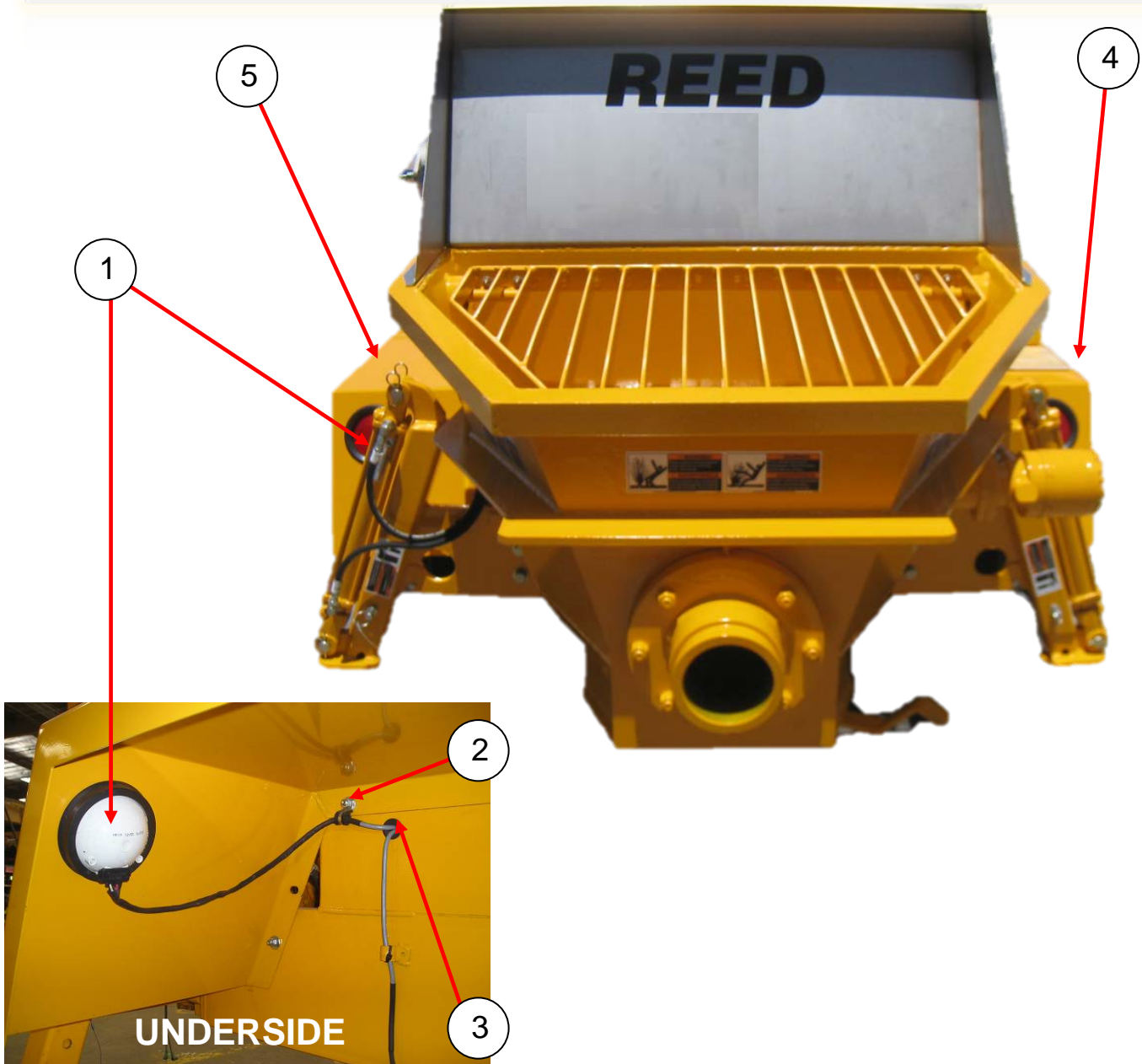


# C70SDRV11

PARTS

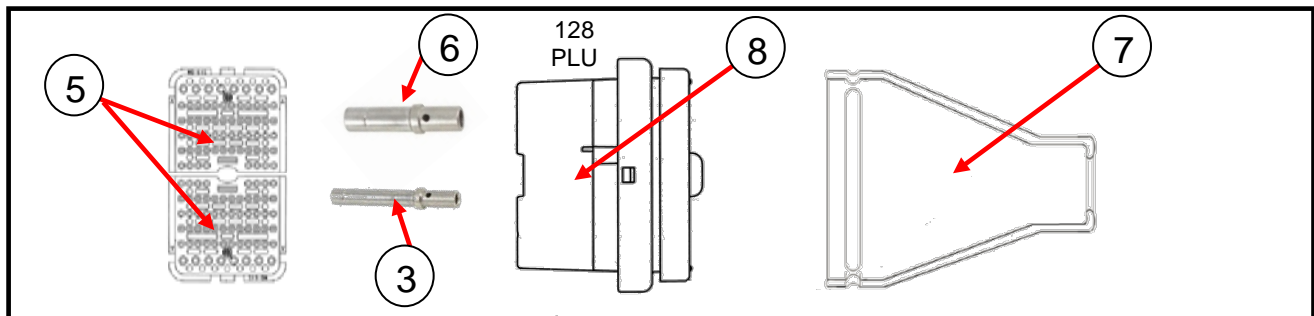
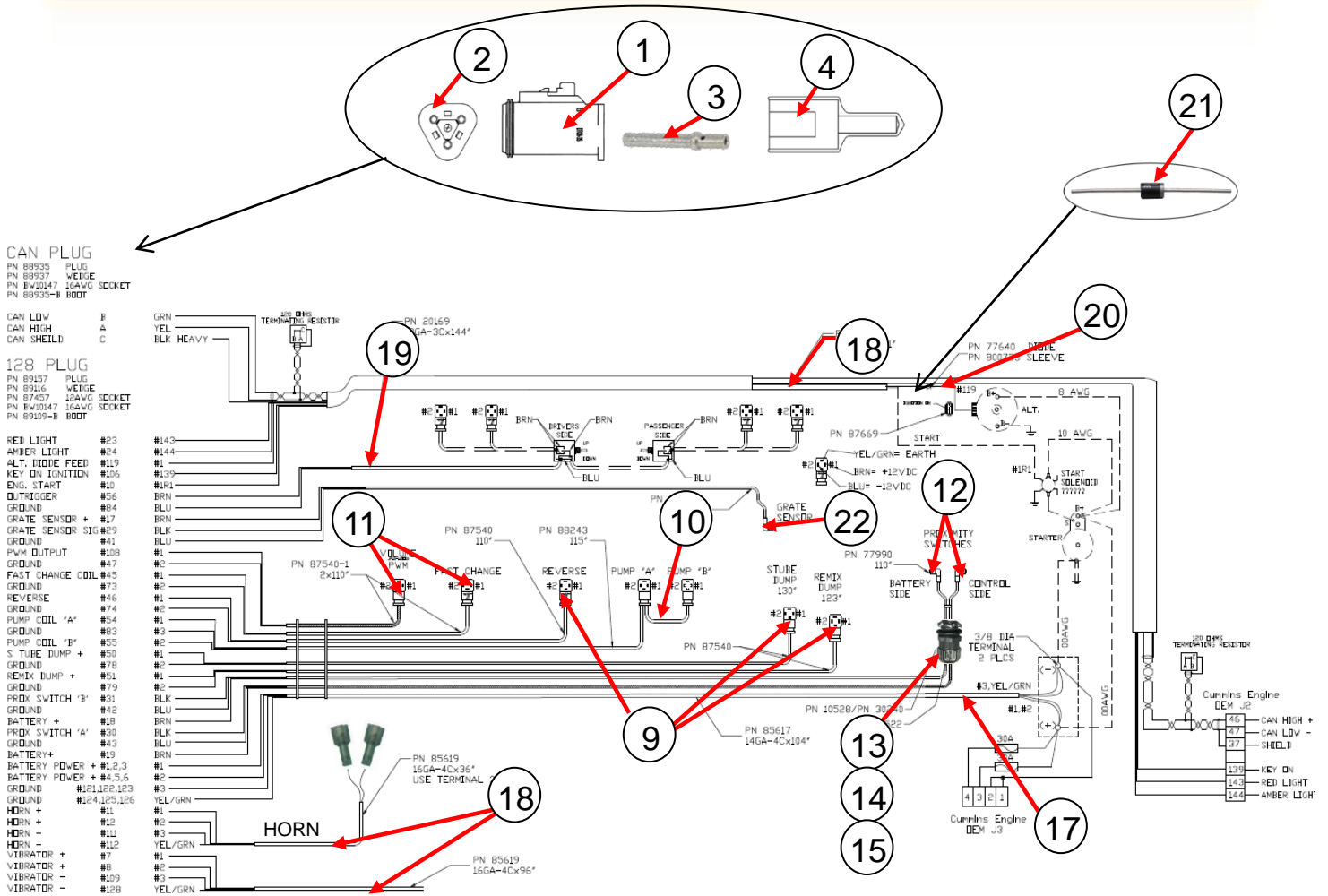
13822 Oaks Avenue  
Chino, CA 91710  
reedpumps.com  
1-(909) 287 - 2100

## TAIL LIGHTS, FENDERS



ID #	PART #	PART DESCRIPTION	QUANTITY	
1	72948	TAIL LIGHT	2	EA
2	87665	LOOM CLAMP 7/8"	2	EA
3	72949	GROMMET	2	EA
4	85394	FENDER, RH, C SERIES PAINTED	1	EA
5	85395	FENDER, LH, C SERIES PAINTED	1	EA

### WIRING HARNESS





# C70SDRV11

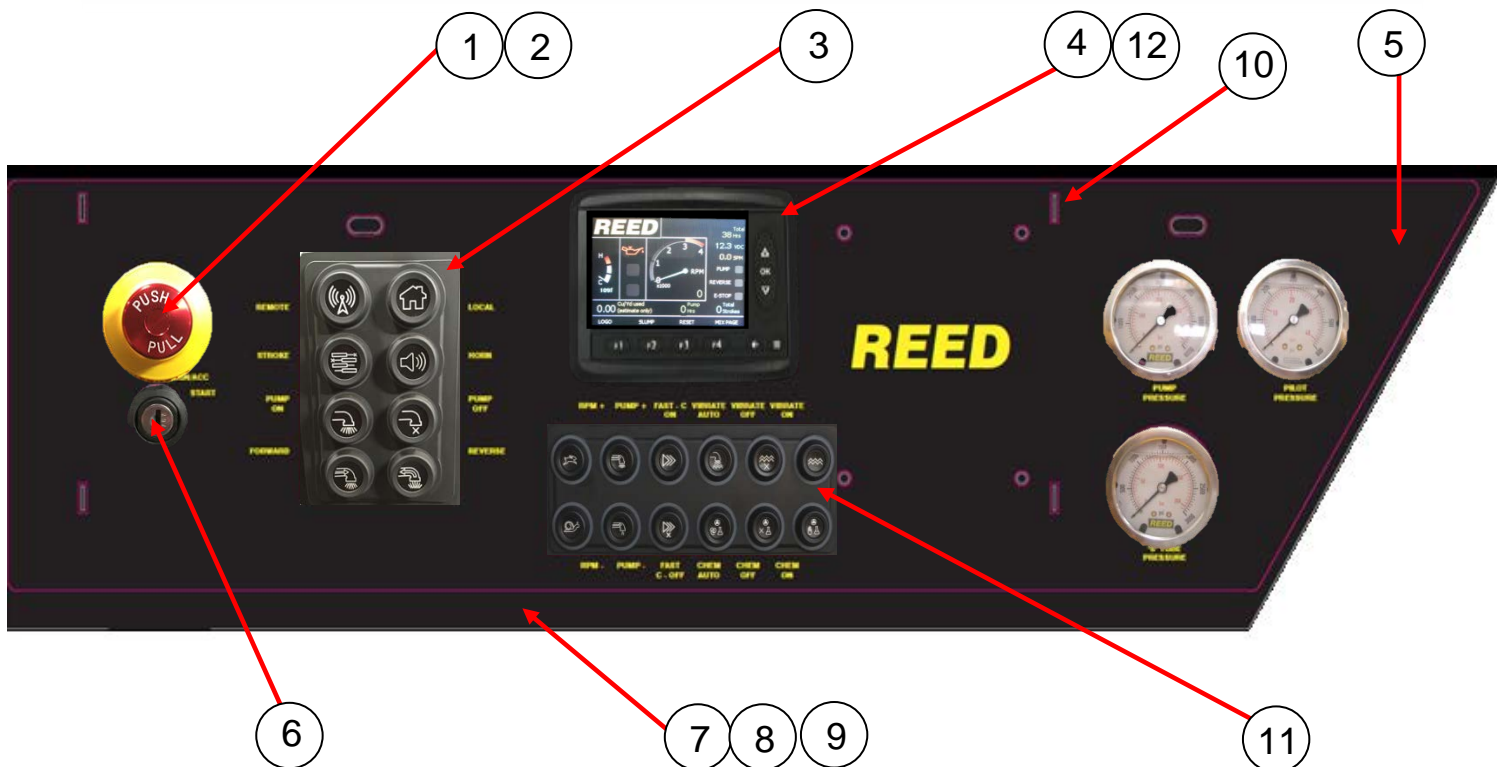
PARTS

13822 Oaks Avenue  
Chino, CA 91710  
reedpumps.com  
1-(909) 287 - 2100

## WIRING HARNESS

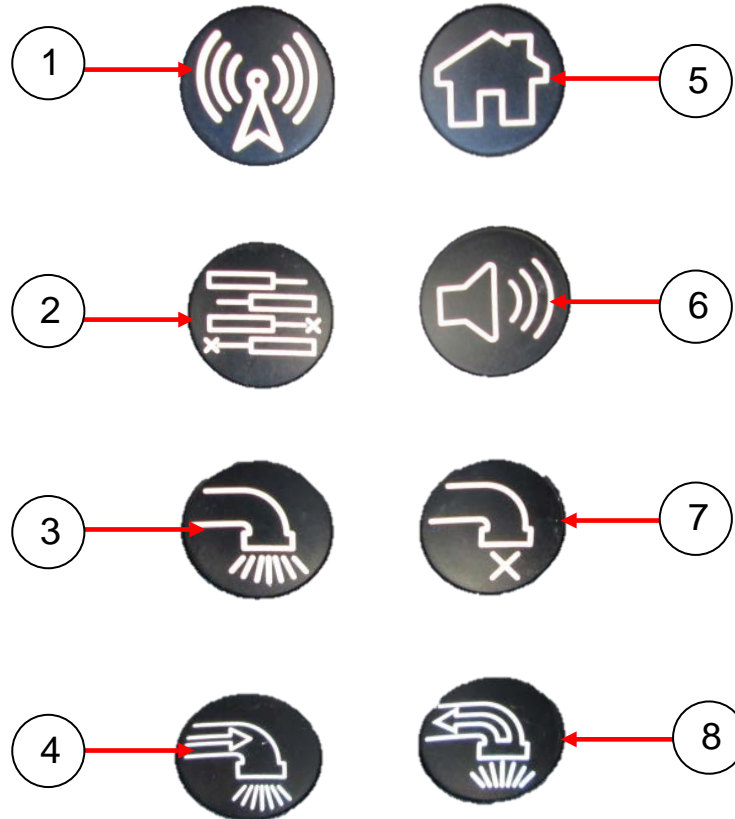
ID #	PART #	PART DESCRIPTION	QUANTITY	
	89160	WIRING HARNESS, C SERIES PLC TIER 3		EA
1	88935	3WAY PLUG DT SER.	1	EA
2	88937	WEDGELOCK 1939V FOR 3 PIN PLUG	1	EA
3	BW10147	CONTACT SOCKET SIZE 16	86	EA
4	88935-B	BOOT FOR 3 WAY DT SERIES PLUG	1	EA
5	89116	DEUTSCH WEDGE FOR 89109	2	EA
6	87457	PIN FOR 87456 PLUG	15	EA
7	89109-B	BOOT FOR 89109,89157	1	EA
8	89157	DEUTSCH RECEPTACLE 128 CONTACT	1	EA
9	87540	CABLE SOLENOID	3	EA
10	88243	CABLE WITH 2 DIN PLUGS 5M	1	FT
11	87540-1	CABLE SOL VALVE, W/DIN PLUG	2	FT
12	77990	CABLE, PROXIMITY SWITCH	2	FT
13	10522	STRAIN RELIEF	1	EA
14	10528	NUT 1/2" BONDING TYPE LOCK	1	FT
15	30240	GASKET-LIQUID 1/2"	1	EA
16	85615	CABLE, 14AWG-2C, PVC-GRY	6.75	FT
17	85617	CABLE, 14AWG-4C, PVC-GRY	8.75	FT
18	85619	CABLE,16AWG-4C, PVC-GRY	11	FT
19	20169	CABLE, 18AWG-3C PVC BLACK	6	FT
20	87669	PIGTAIL HARNESS, CUMMINS ALT.	1	EA
21	77640	DIODE, IN4003	1	EA
22	88678	HOPPER SAFTY SWITCH CABLE (SHIELDED)	1	EA

## PLC CONTROLS C-SERIES CONTROL PANEL



ID #	PART #	PART DESCRIPTION	QUANTITY	
	89334-T3	C-SERIES CONTROL PANEL ASSY.		
1	89090	EMERGENCY STOP PUSH BUTTON HEAVY DUTY	1	EA
2	89090-L	ILLUMINATED E-STOP RING	1	EA
3	88979	KEYPAD 2X4 SWITCH, PROGRAMMABLE	1	EA
4	88918	MD3, PARKER DISPLAY MODULE	1	EA
5	89092-D	DECAL CONTROL PANEL C-SER PLC	1	EA
6	89004	KEY SWITCH SEALED	1	EA
7	890952-P	PANEL FORMED FRONT, PLC C SERIES	1	EA
8	89092-PB	PANEL FORMED BACK, PLC B&C SERIES	1	EA
9	89124	HINGE PIANO 1"X12" LONG	2	EA
10	89092-C	PLC PROTECTIVE FRONT COVER	1	EA
11	88978	KEYPAD 2X6 SWITCH, PROGRAMMABLE	1	EA
12	89327	DISPLAY PROTECTIVE FILM	1	EA

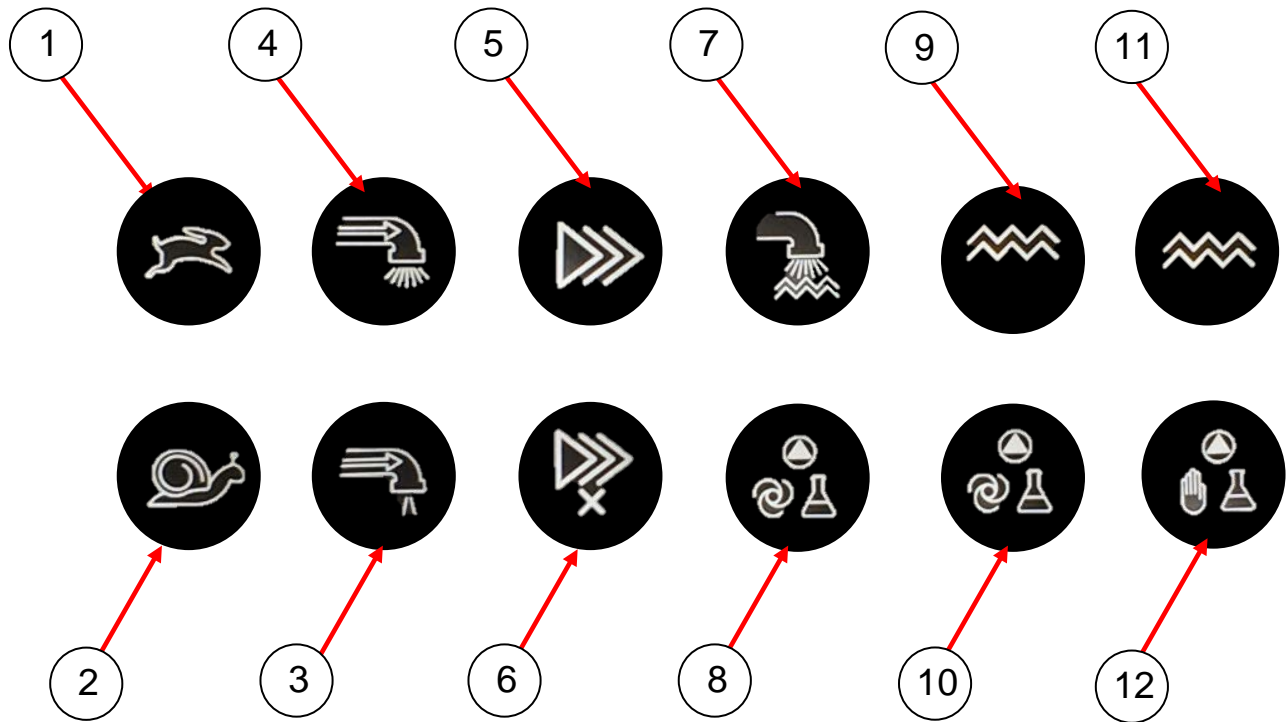
## KEY PAD SWITCHES INSERT KIT



ID #	PART #	PART DESCRIPTION	QUANTITY	
	89412-BC	INSERT KIT FOR PLC SWITCH FUNCTIONS		
1	89412-2L	INSERT,REMOTE ICON CLEAR	1	EA
2	89412-4L	INSERT,PRESSURE A/B ICON CLEAR	1	EA
3	89412-5L	INSERT, PUMP ON ICON CLEAR	1	EA
4	89412-7L	INSERT,PUMP FORWARD ICON CLEAR	1	EA
5	89412-1L	INSERT,HOME ICON CLEAR	1	EA
6	89412-3L	INSERT, HORN ICON CLEAR	1	EA
7	89412-6L	INSERT, PUMP OFF ICON CLEAR	1	EA
8	89412-8L	INSERT, PUMP REVERSE ICON CLEAR	1	EA

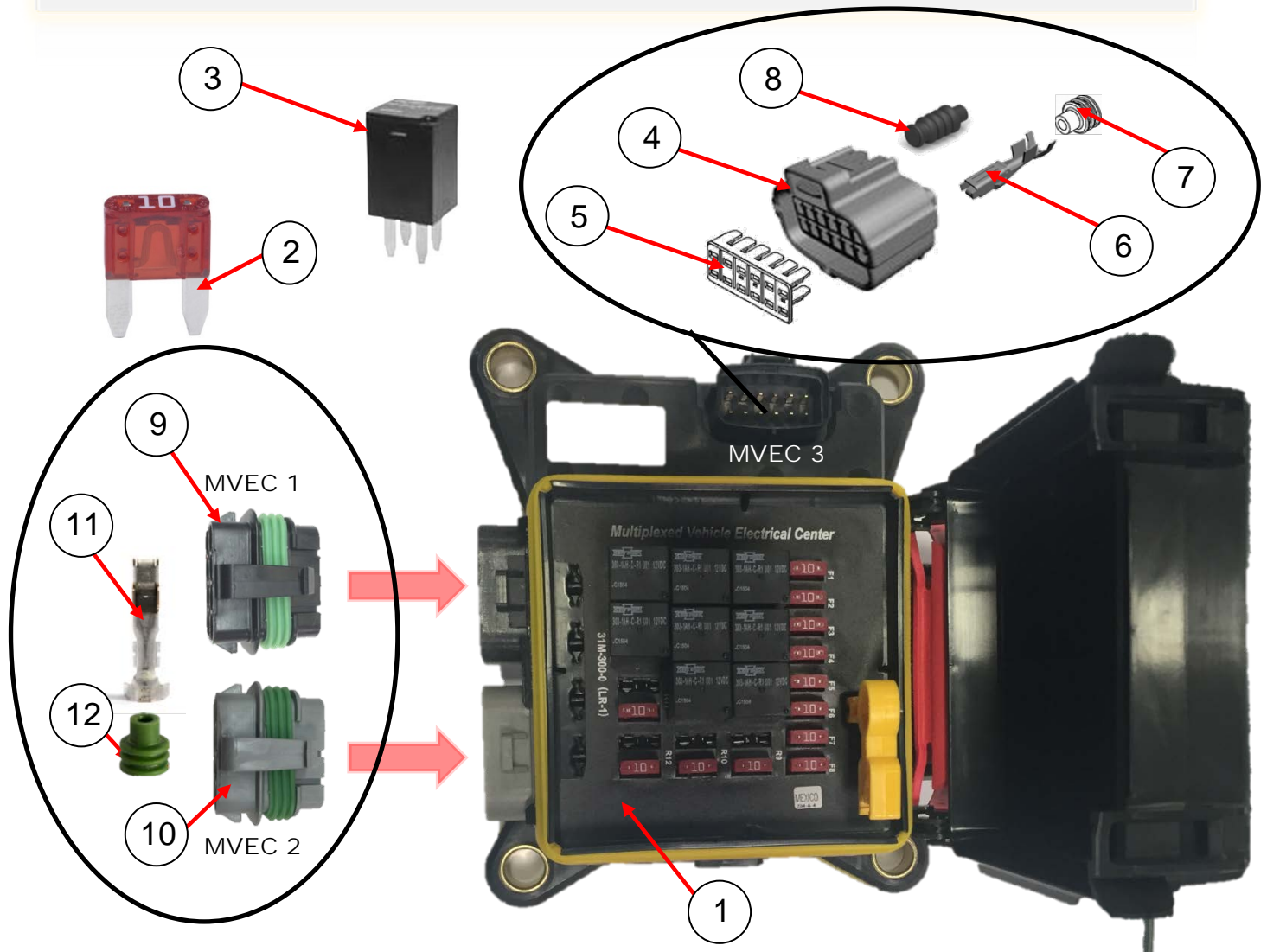


## KEY PAD SWITCHES INSERT KIT CONT.



ID #	PART #	PART DESCRIPTION	QUANTITY	
	89412-BC	INSERT KIT FOR PLC SWITCH FUNCTIONS		
1	89412-9S	INSERT, THROTTLE GAIN ICON CLEAR	1	EA
2	89412-10S	INSERT, TROTTLE DROP ICON CLEAR	1	EA
3	89412-12S	INSERT, PUMP VOLUME (-) CLEAR	1	EA
4	89412-11S	INSERT, PUMP VOLUME (+) CLEAR	1	EA
5	89412-13S	INSERT, FASTCHANGE ON ICON CLEAR	1	EA
6	89412-14S	INSERT, FASTCHANGE OFF ICON CLEAR	1	EA
7	89412-15S	INSERT, VIBRATOR AUTO ICON CLEAR	1	EA
8	89412-16S	INSERT, CEM AUTO ICON CLEAR	1	EA
9	89412-17S	INSERT, VIBRATOR OFF ICON CLEAR	1	EA
10	89412-18S	INSERT, CEM OFF ICON CLEAR	1	EA
11	89412-19S	INSERT, VIBRATOR ON ICOM CLEAR	1	EA
12	89412-20S	INSERT, CEM ON ICOM CLEAR	1	EA

### MVEC/FUSE/RELAY



ID #	PART #	PART DESCRIPTION	QUANTITY	
1	88980	MVEC, 12 RELAY, BUSSMAN	1	EA
2	88953	AUTOMOTIVE MINITURE BLADE FUSE 10AMP	12	EA
3	89128	MVEC,RELAY,12V	8	EA
4	89112	AMP, PLUG 2X6, (MVEC 3)	1	EA
5	89112-1	AMP, WEDGE, 89112 (MVEC 3)	1	EA
6	89112-2	AMP, FEMALE, PIN, TERMINAL (MVEC 3)	5	EA
7	89112-3	AMP, WIRE SEAL, ORANGE (MVEC 3)	5	EA
8	89112-4	AMP, CAVITY PLUG (MVEC 3)	7	EA
9	89110	METRIPACK PLUG,2X4 (MVEC 1-BLK)	1	EA
10	89111	METRIPACK PLUG, 2X4 (MVEC 2-GRY)	1	EA
11	88960	TERMINAL PINS FEMALE AUTOMOTIVE	12	EA
12	89110-6	AMP, WIRE SEAL, (MVEC1-2, GREEN)	12	EA
13	89110-1	AMP, CAVITY PLUG, GREEN(MVEC 1)	4	EA

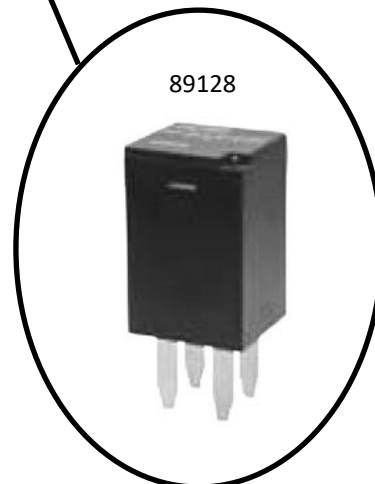
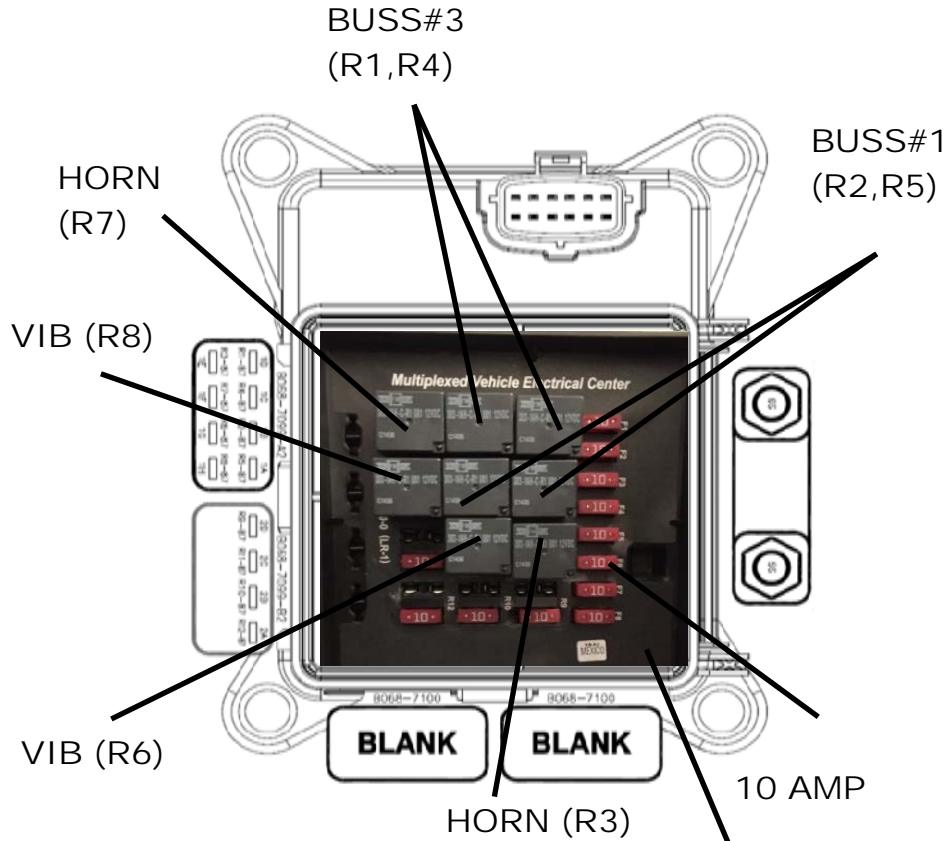


# C70SDRV11

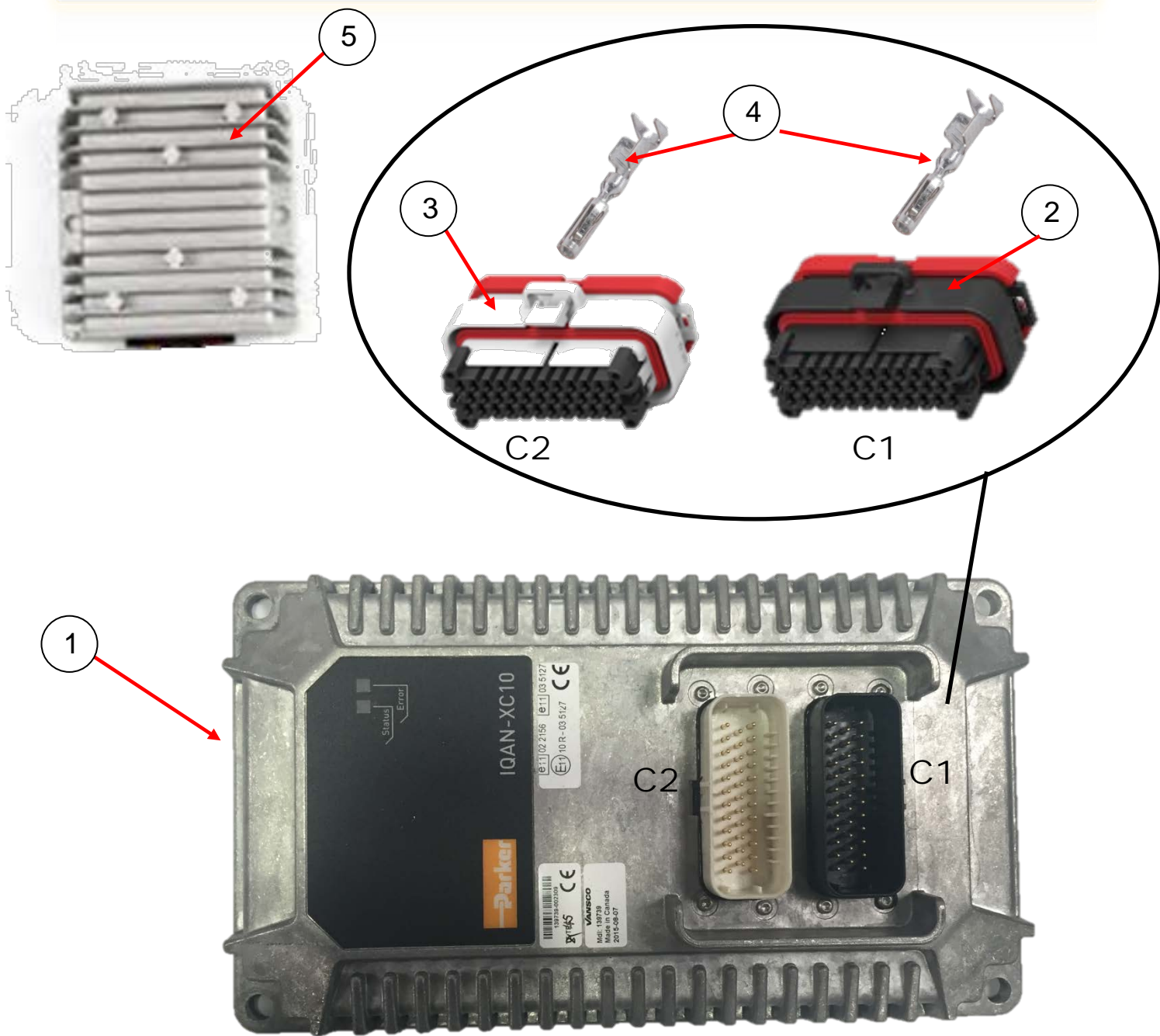
PARTS

13822 Oaks Avenue  
Chino, CA 91710  
reedpumps.com  
1-(909) 287 - 2100

## MVEC/FUSE/RELAY

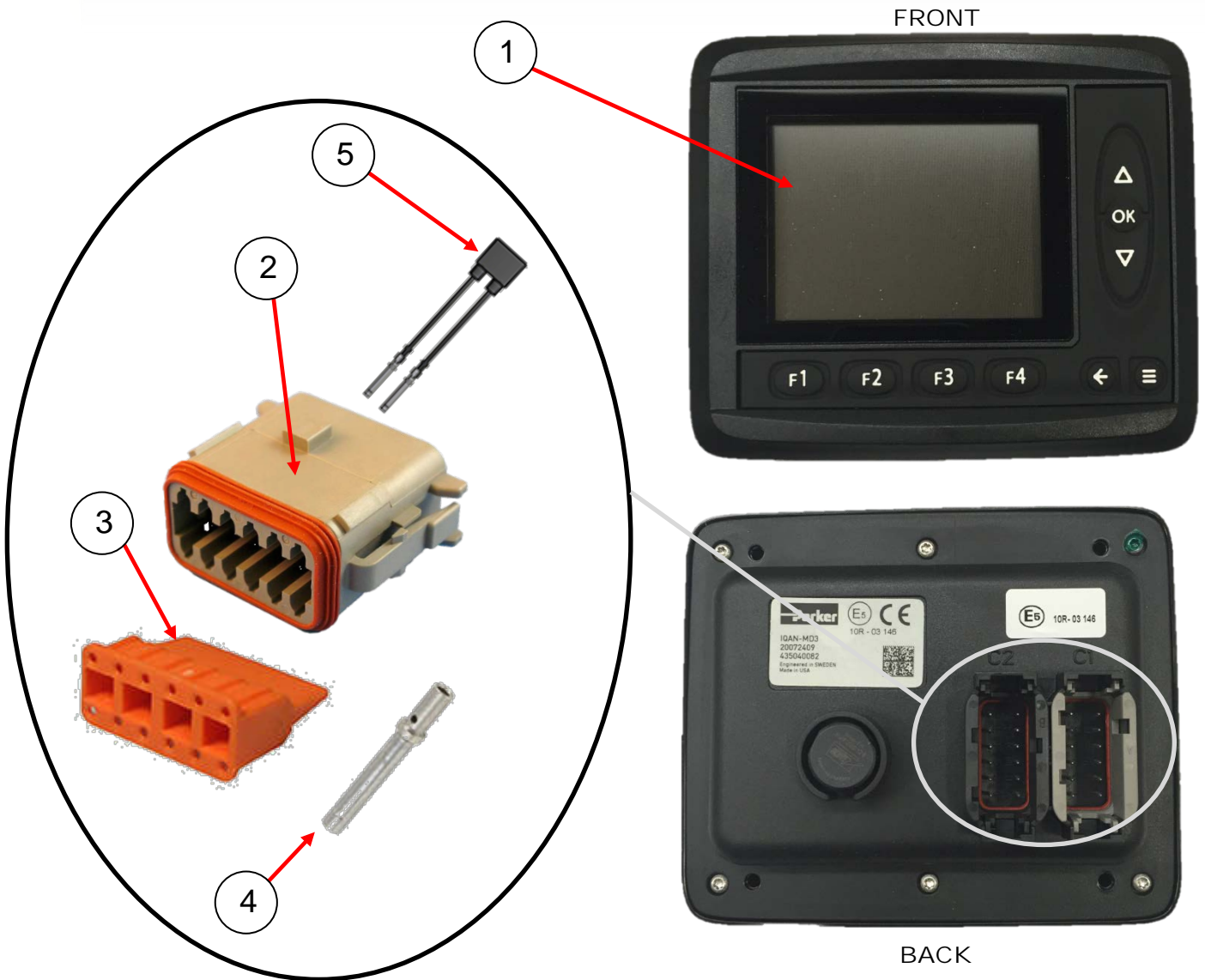


## EXPANSION MODULE PARKER IQAN-XC10



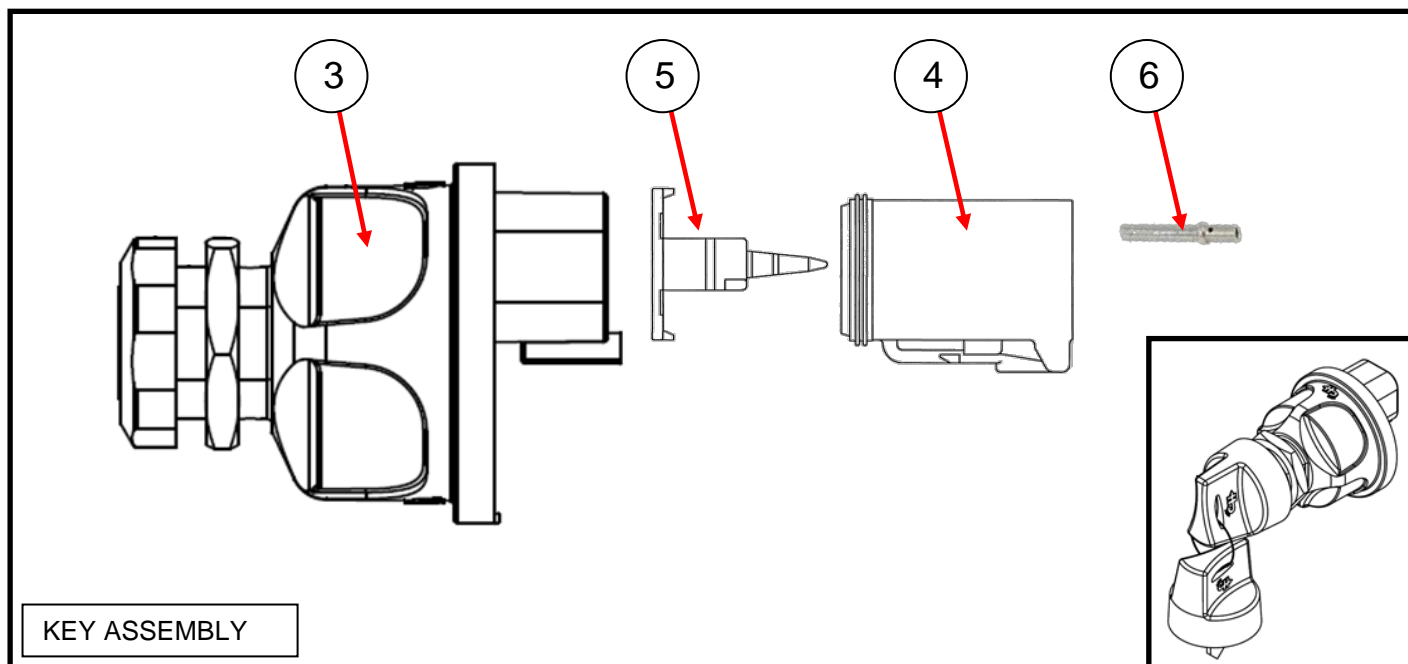
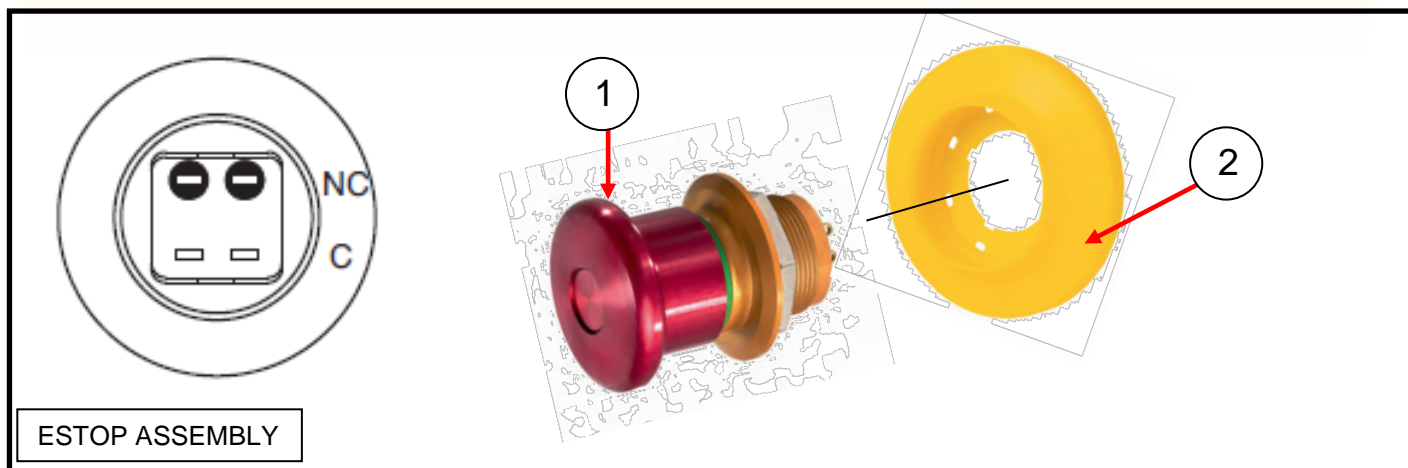
ID #	PART #	PART DESCRIPTION	QUANTITY	
1	88919	XC10, PARKER EXPANSION MODULE	1	EA
2	88945	AMP, 35 POS SEAL PLUG, BLACK (C1)	1	EA
3	88946	AMP, 35 POS SEAL PLUG, WHITE (C2)	1	EA
4	88945-S	AMP, CONTACT PIN (C1,C2)	38	EA
5	89090-C	DC/DC CONVERTER 12VDC TO 24VDC	1	EA

## MD3 DISPLAY MODULE



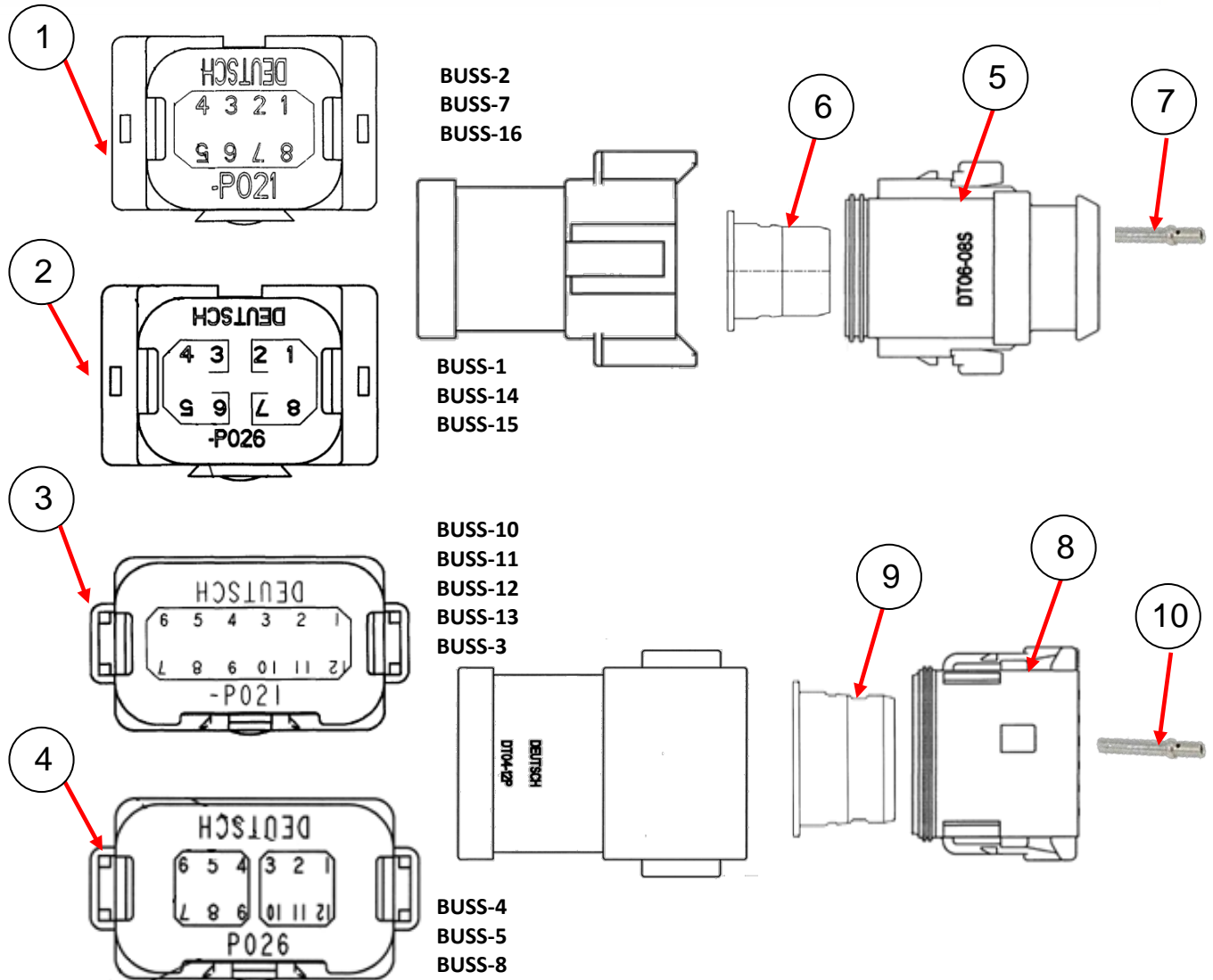
ID #	PART #	PART DESCRIPTION	QUANTITY	
1	88918	MD3,PARKER DISPLAY	1	EA
2	88653	PLUG DTM 12 WAY A KEY, GREY (C1)	1	EA
3	88653-2	WEDGELOCK DTM 12 WAY PLUG (C1)	1	EA
4	88959	CONTACT SOCKET SIZE 20 (7.5 AMP) (C1)	9	EA
5	89136	ADDRESS 3 IDTAG WITH DEUTSCH TERMINALS (1K OHM)	1	EA
6	89327	SCREEN PROTECTOR, MD3	1	EA

## ESTOP, KEY ASSEMBLY, PLUGS



ID #	PART #	PART DESCRIPTION	QUANTITY	
1	89090	EMERGENCY STOP BUTTON HEAVY DUTY	1	REF
2	89090-L	ILLUMINATED E-STOP RING	1	REF
3	89004	KEY SWITCH SEALED	1	REF
4	89107	DEUSCH DT06, 1X6	1	QTY
5	89108	DEUTSCH WEDGE LOCK FOR 89107	1	QTY
6	BW10147	DEUTSCH CONTACT SOCKET, 16AWG	6	QTY

## BUSSES, CONNECTORS, PINS



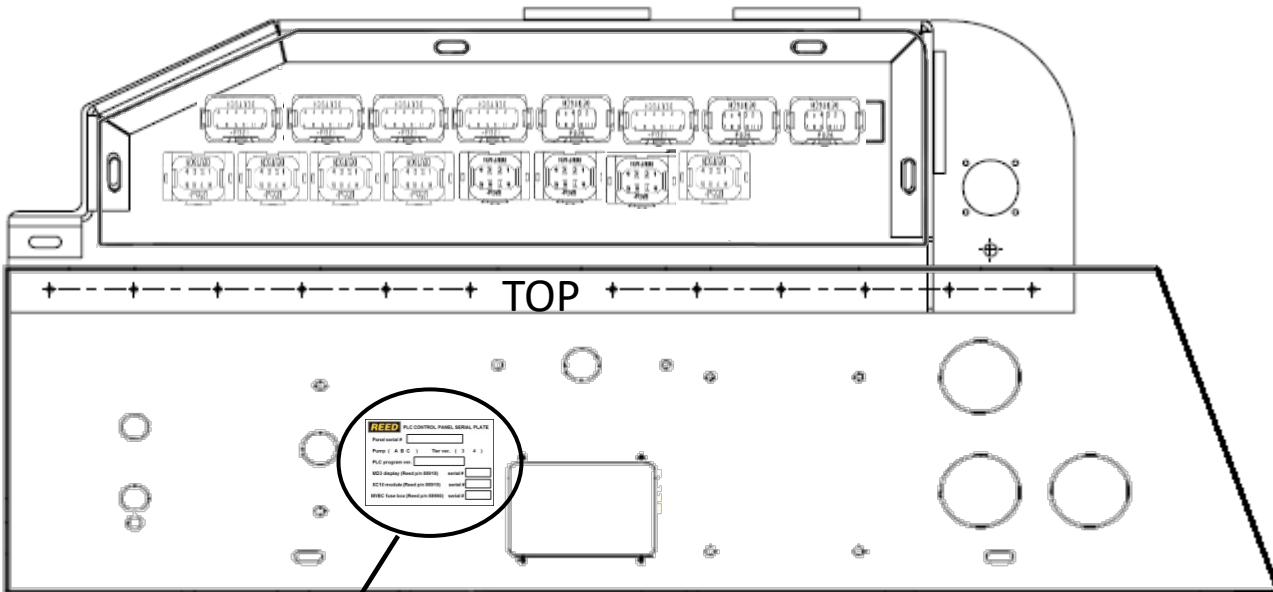
ID #	PART #	PART DESCRIPTION	QUANTITY	
1	89180	DEUTSCH DT04 BUS, 1X8 (SOLID)	3	EA
2	89181	DEUTSCH DT04 BUS, 2X4 (SPLIT)	3	EA
3	89106	DEUTSCH DT04 BUS, 1X12 (SOLID)	5	EA
4	89103	DEUTSCH DT04 BUS, 2X6 (SPLIT)	3	EA
5	89179	DEUTSCH DT06 PLUG, 2X4	5	EA
6	88542-1	WEDGE LOCK FOR 88542	5	EA
7	BW10147	CONTACT SOCKET PIN, SIZE16, 13 AMP		EA
8	89104	DEUTSCH DT06 PLUG, 2X6	3	EA
9	89105	WEDGE LOCK FOR 89104	8	EA
10	BW10147	CONTACT SOCKET PIN, SIZE16, 13 AMP		EA



# C70SDRV11 PARTS

13822 Oaks Avenue  
Chino, CA 91710  
reedpumps.com  
1-(909) 287 - 2100

## SERIAL PLATE IDENTIFICATION



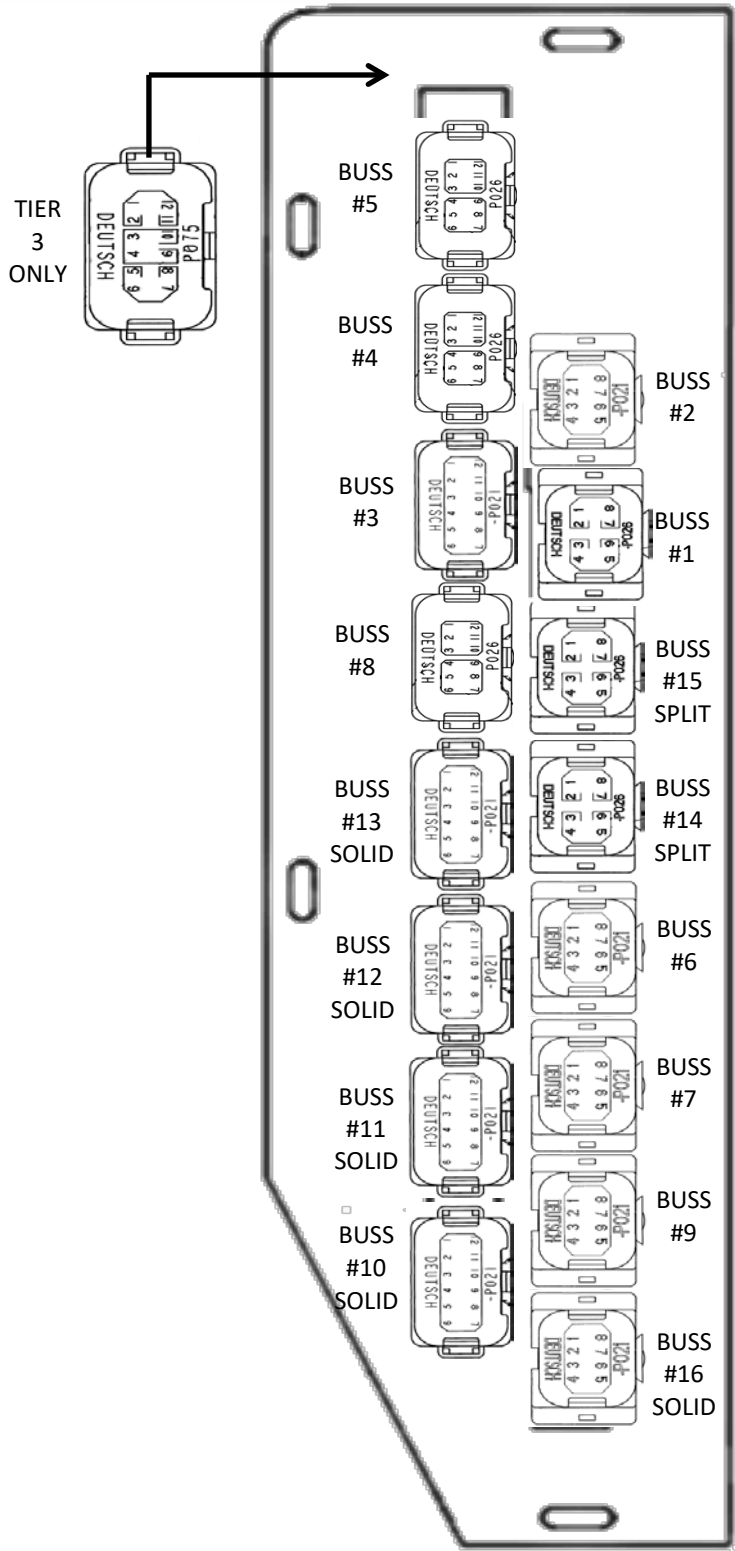
### Serial Plate Identification

<b>REED</b> PLC CONTROL PANEL SERIAL PLATE	
Panel serial #	<input type="text"/>
Pump ( A B C )	Tier ver. ( 3 4 )
PLC program ver.	<input type="text"/>
MD3 display (Reed p/n 88918)	serial # <input type="text"/>
XC10 module (Reed p/n 88919)	serial # <input type="text"/>
MVEC fuse box (Reed p/n 88980)	serial # <input type="text"/>

Panel serial # →  
 Pump type →  
 PLC program →  
 Tier version →  
 Display serial # →  
 Expansion module serial # →  
 Fuse/Relay box serial # →

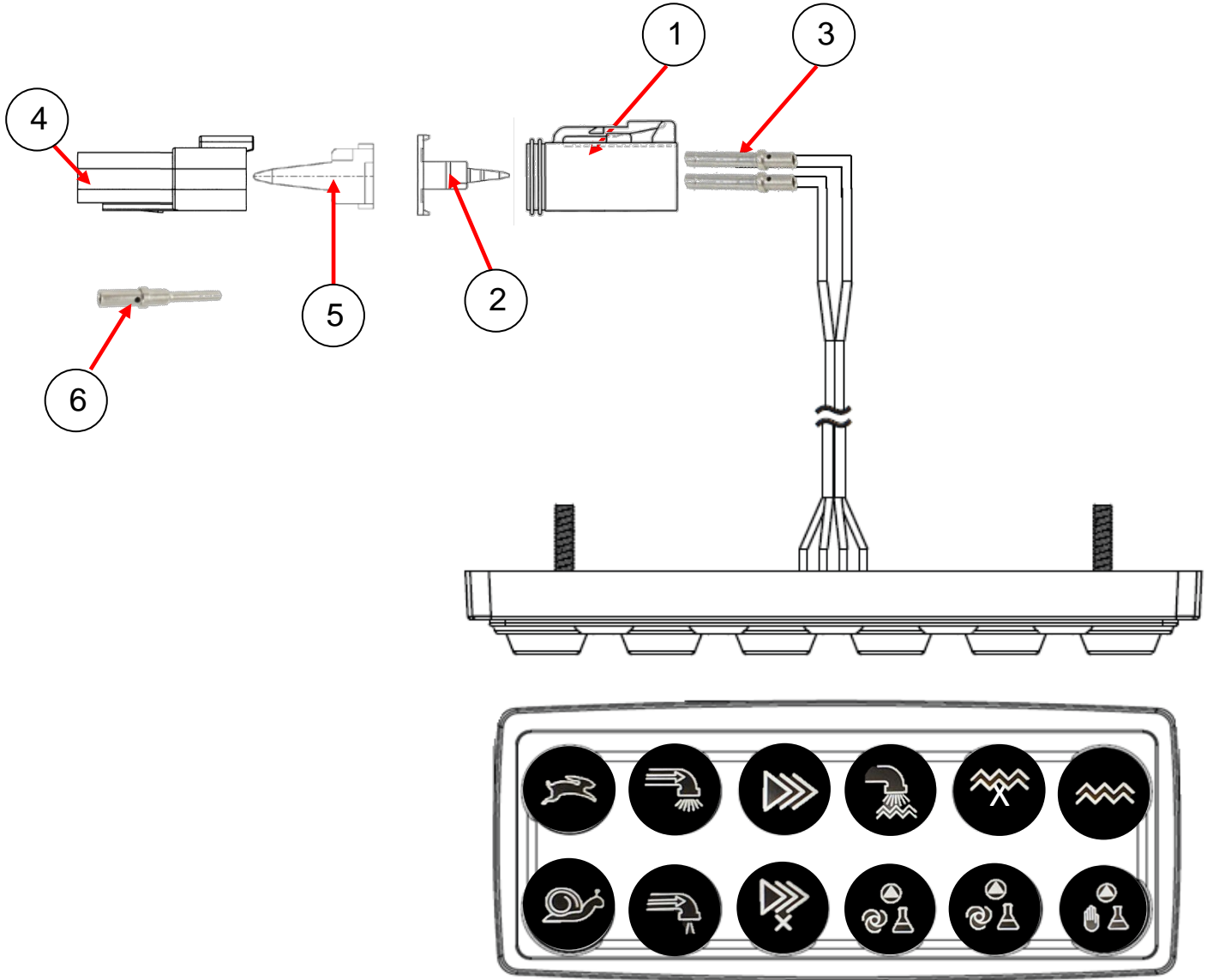


### BUSS BAR SET-UP



## CAN PUSH BUTTON SWITCH PLUG

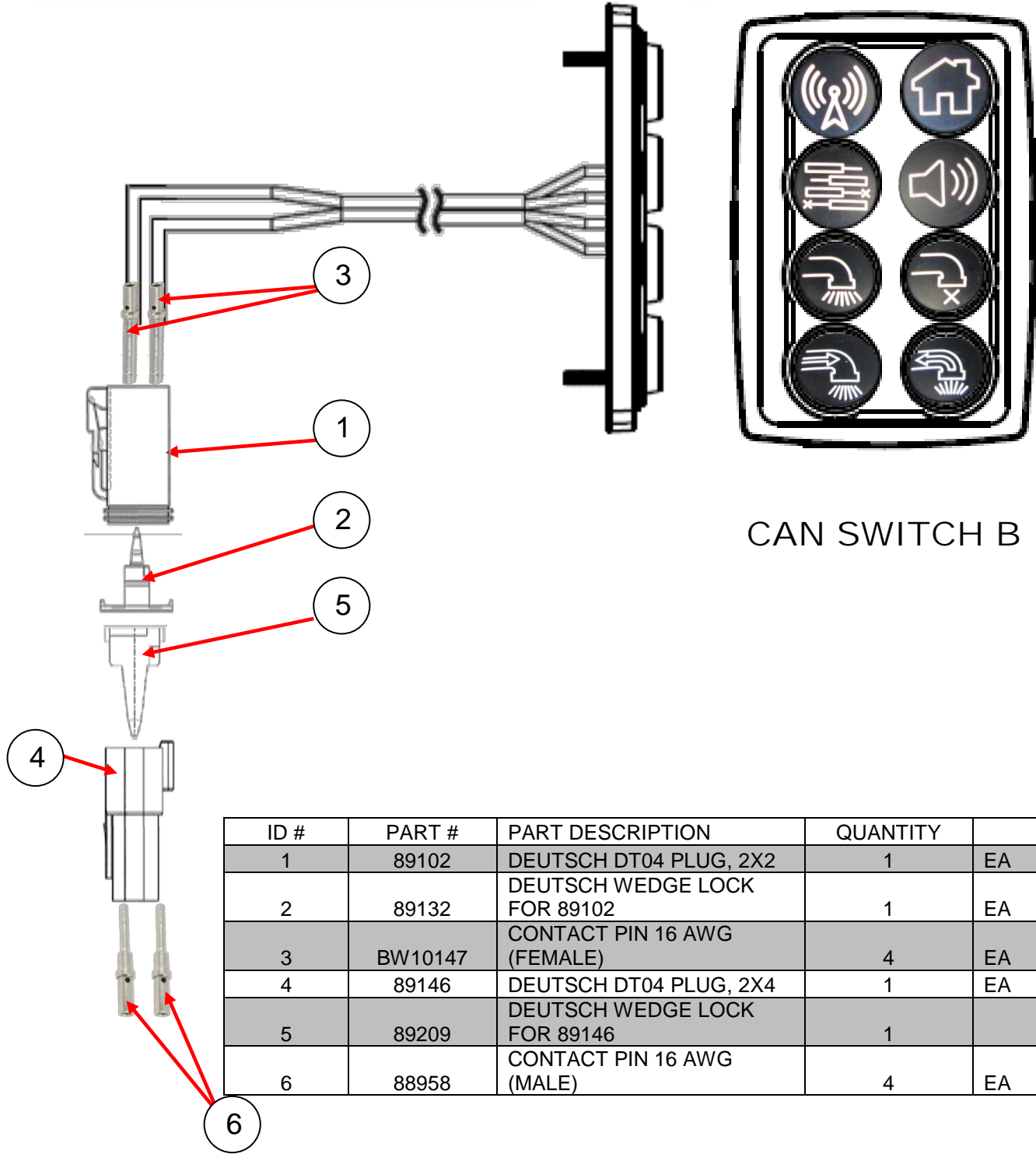
### SWITCH A



### CAN SWITCH A

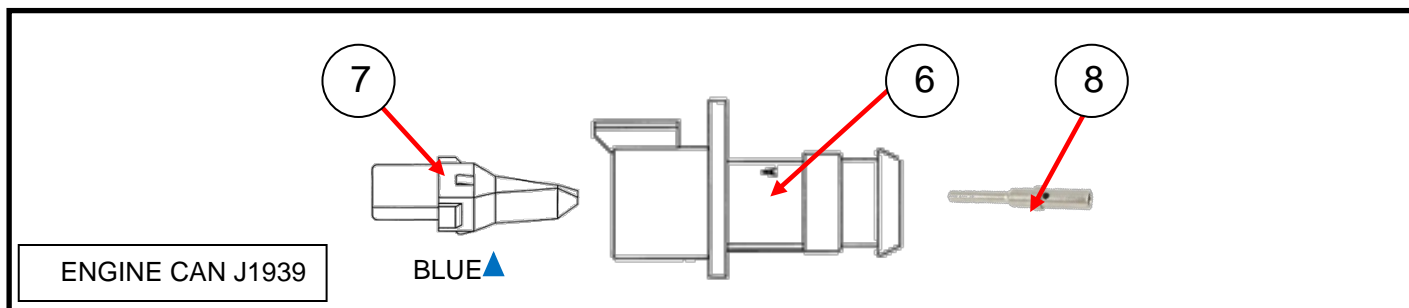
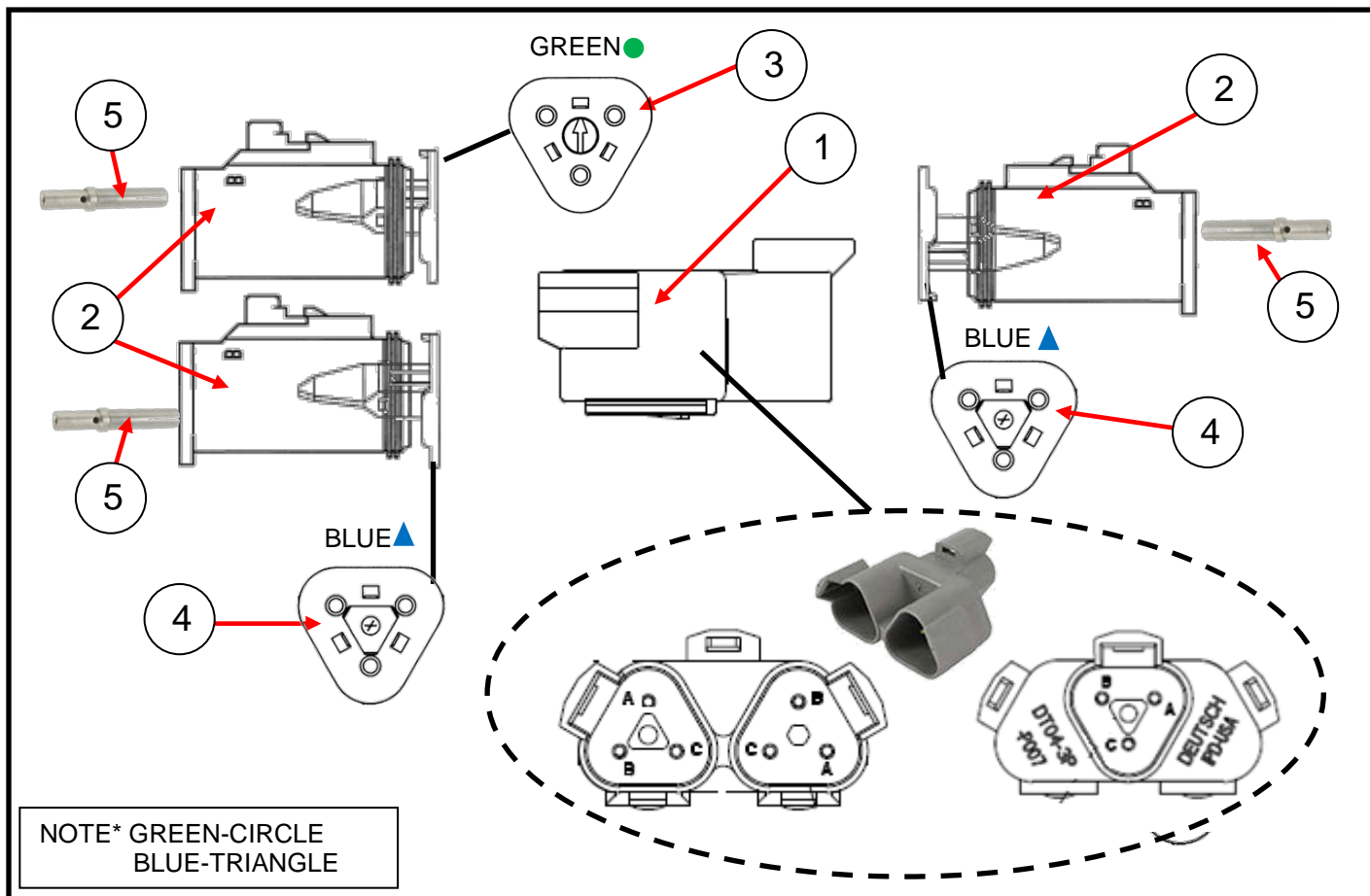
ID #	PART #	PART DESCRIPTION	QUANTITY	
1	89102	DEUTSCH DT04 PLUG, 2X2	1	EA
2	89132	DEUTSCH WEDGE LOCK FOR 89102	1	EA
3	BW10147	CONTACT PIN 16 AWG (FEMALE)	4	EA
4	89146	DEUTSCH DT04 PLUG, 2X4	1	EA
5	89209	DEUTSCH WEDGE LOCK FOR 89146	1	EA
6	88958	CONTACT PIN 16 AWG (MALE)	4	EA

## CAN PUSH BUTTON SWITCH PLUG SWITCH B



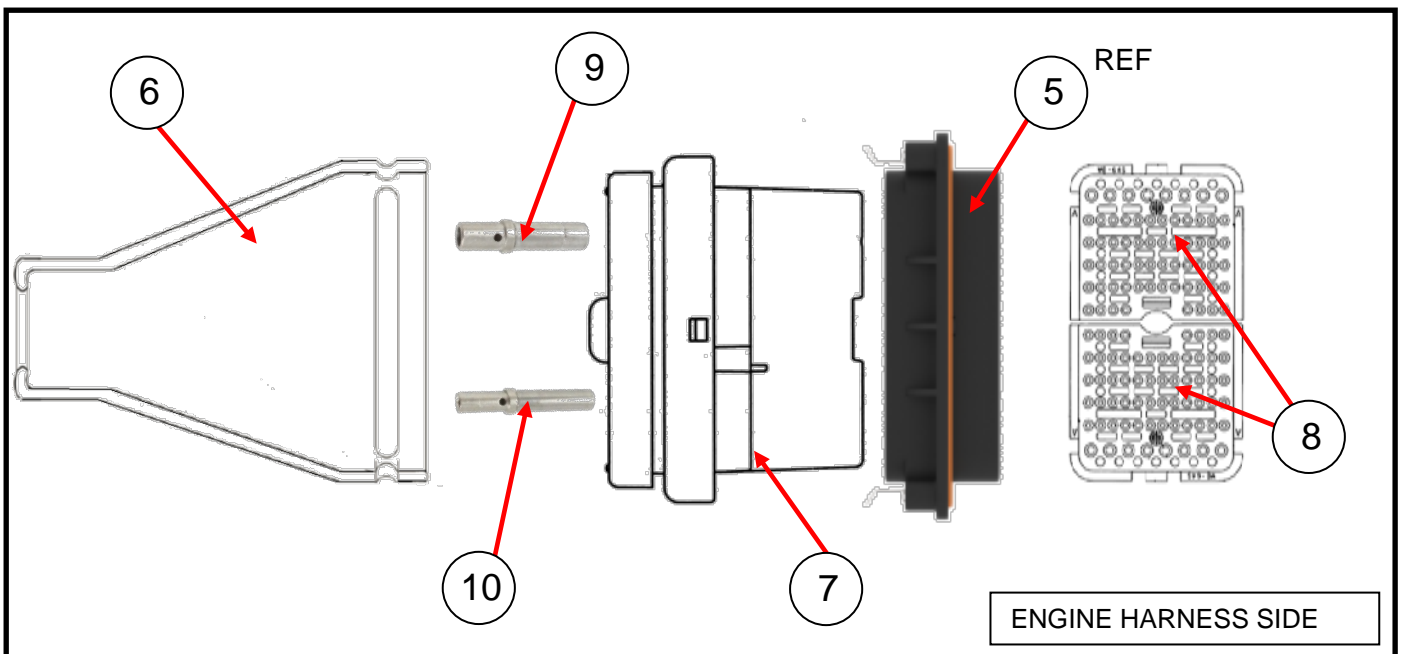
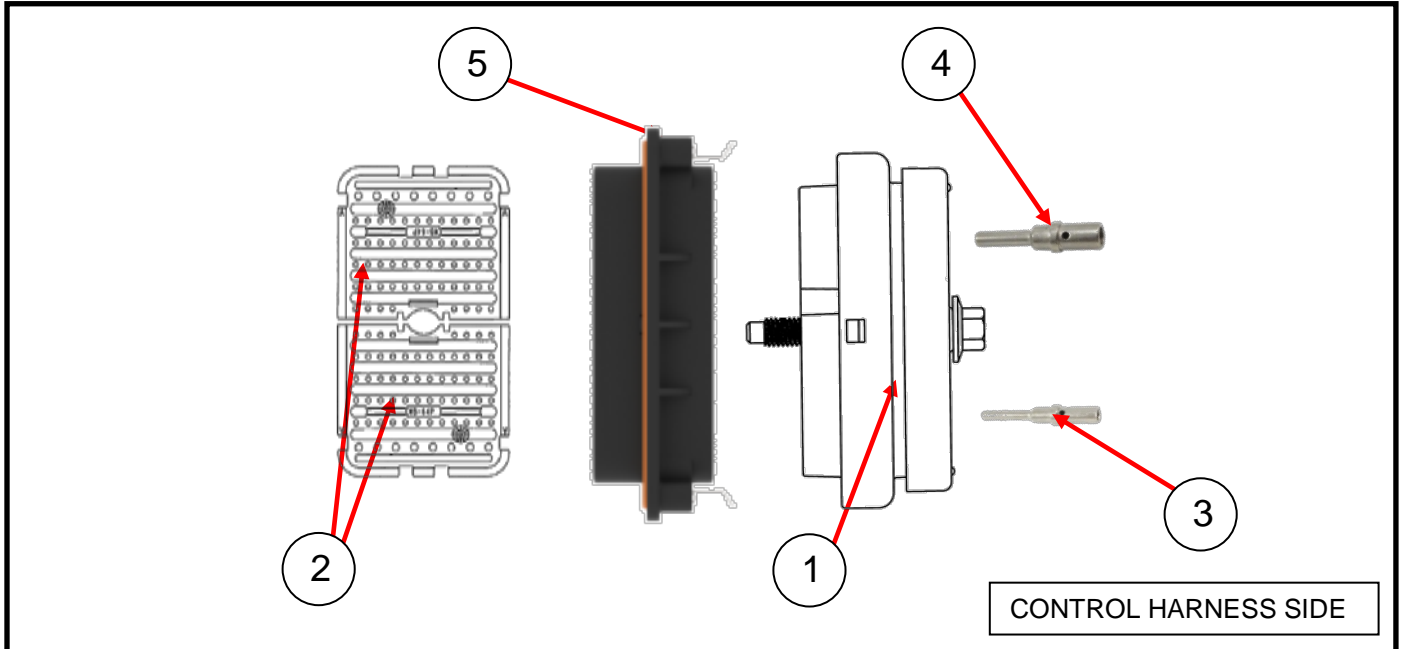
ID #	PART #	PART DESCRIPTION	QUANTITY	
1	89102	DEUTSCH DT04 PLUG, 2X2	1	EA
2	89132	DEUTSCH WEDGE LOCK FOR 89102	1	EA
3	BW10147	CONTACT PIN 16 AWG (FEMALE)	4	EA
4	89146	DEUTSCH DT04 PLUG, 2X4	1	EA
5	89209	DEUTSCH WEDGE LOCK FOR 89146	1	
6	88958	CONTACT PIN 16 AWG (MALE)	4	EA

## CAN PLUGS, CONNECTORS



ID #	PART #	PART DESCRIPTION	QUANTITY	
1	88934	3 WAY T RECEPTAL, DT SER.	1	EA
2	88935	3 WAY PLUG DT SER.	3	EA
3	88936	WEDGE LOCK FOR 3 WAY PLUG ( <b>GREEN</b> )	2	EA
4	88937	WEDGE LOCK FOR 3 WAY PLUG ( <b>BLUE</b> )	1	EA
5	BW10147	CONTACT SOCKETS, 16 AWG ( <b>FEMALE</b> )	9	EA
6	88932	3 WAY RECEPTACLES, FLANGE MOUNT-LE08 MOD.	1	EA
7	88938	KEYED WEDGE LOCK FOR 3 WAY RECPT. DT SERIES	1	EA
8	88958	CONTACT PIN, 16 AWG ( <b>MALE</b> )	3	EA

**DEUTSCH 128 PLUG ASSEMBLY**



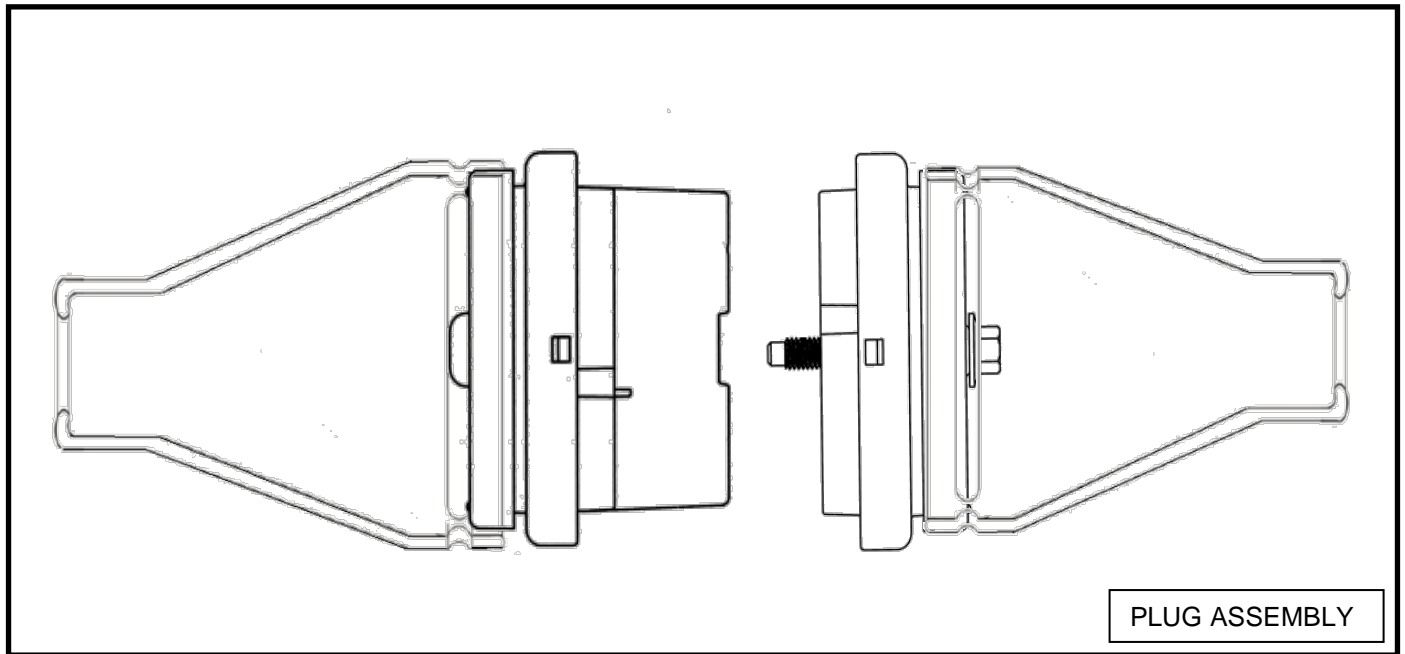


# C70SDRV11

PARTS

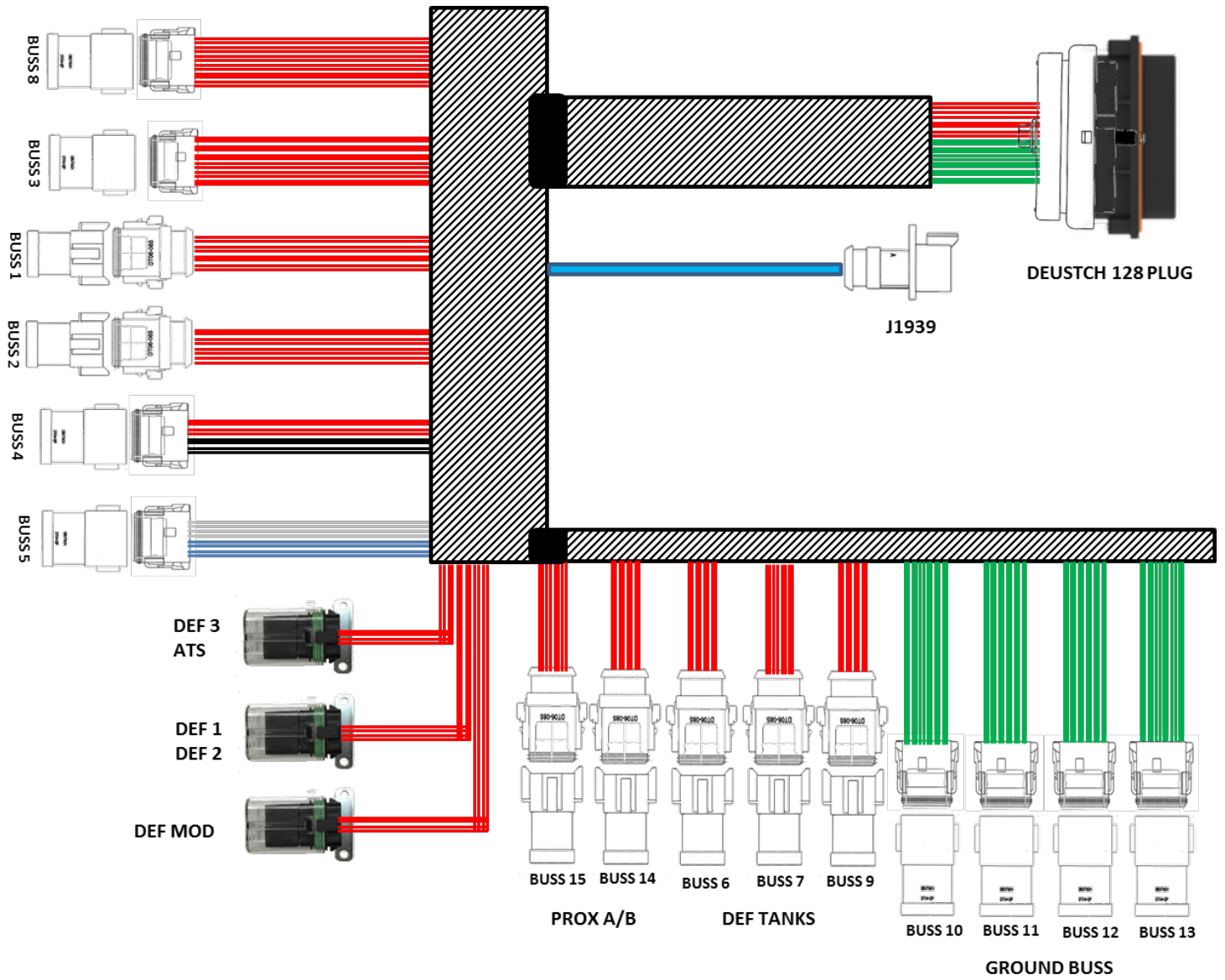
13822 Oaks Avenue  
Chino, CA 91710  
reedpumps.com  
1-(909) 287 - 2100

## DEUTSCH 128 PLUG ASSEMBLY CONT.



ID #	PART #	PART DESCRIPTION	QUANTITY	
1	89109	DEUTSCH RECEPTACLE 128 CONTACT, PIN	1	EA
2	89159	DEUTSCH WEDGE LOCK FOR 89157	2	EA
3	88958	CONTACT PIN SIZE 16 AWG, ( <b>MALE</b> )	72	EA
4	87807	CONTACT PIN SIZE 12 AWG, ( <b>MALE</b> )	16	EA
5	89158	DEUTSCH RECEPTACLE, FLANGE	1	EA
6	89109-B	DEUTSCH, BOOT COVER	1	EA
7	89157	DEUTSCH RECEPTACLE 128 CONTACT, SOCKET	1	EA
8	89116	DEUTSCH WEDGE LOCK FOR 89157	2	EA
9	87457	CONTACT SOCKET, SIZE 12 AWG, ( <b>FEMALE</b> )	1	EA
10	BW10147	CONTACT SOCKET, SIZE 16 AWG, ( <b>FEMALE</b> )	1	EA

### WIRE HARNESS MAIN LAYOUT



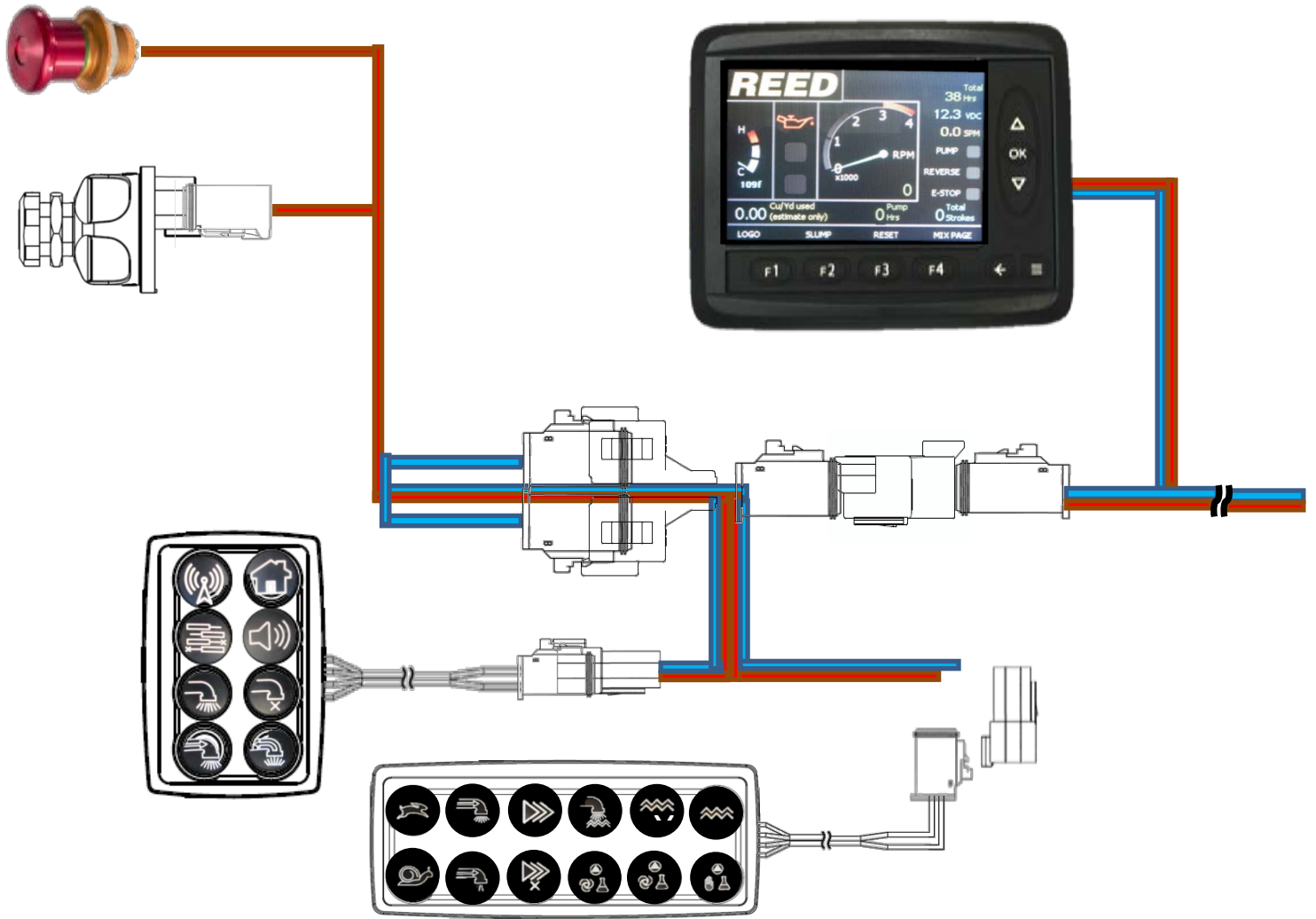


# C70SDRV11

PARTS

13822 Oaks Avenue  
Chino, CA 91710  
reedpumps.com  
1-(909) 287 - 2100

## WIRE HARNESS DOOR LAYOUT







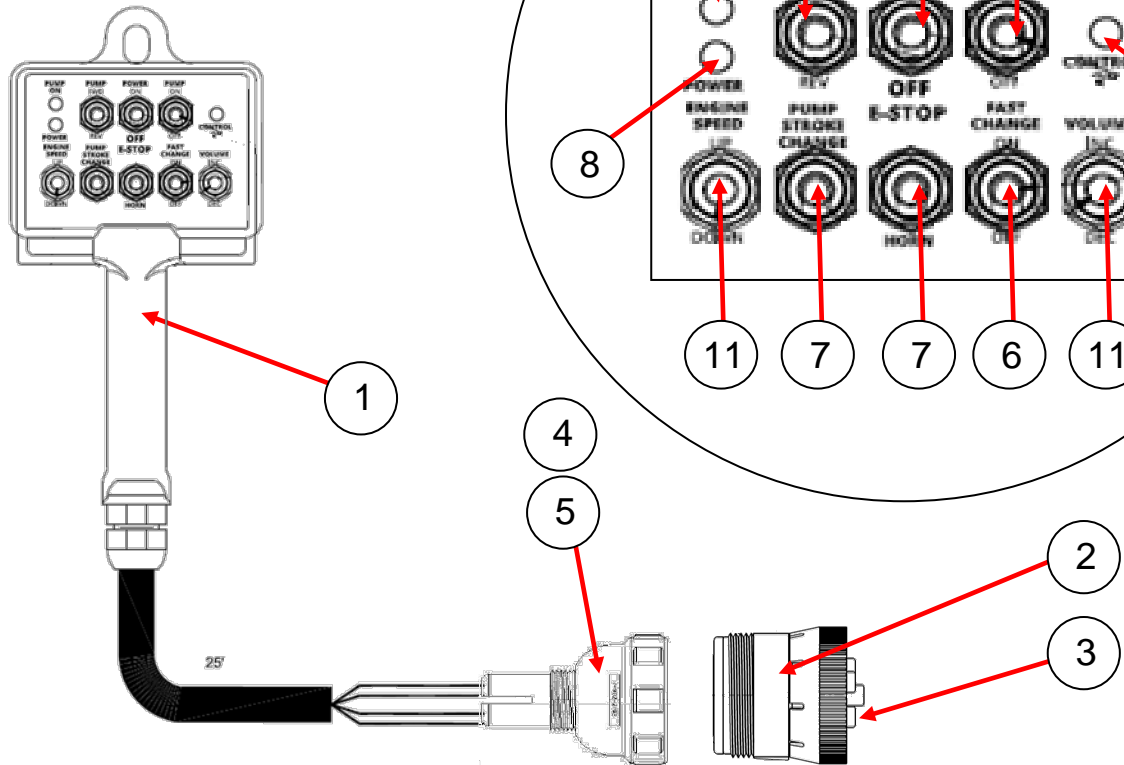
# C70SDRV11

## PARTS

13822 Oaks Avenue  
Chino, CA 91710  
reedpumps.com  
1-(909) 287 - 2100

### 50 FT CABLE REMOTE

COLOR	DESCRIPTION
RED	POWER (9-30VDC)
BLACK	GROUND
WHITE	CAN-H
GREEN	CAN-L



ID #	PART #	PART DESCRIPTION	QUANTITY	
1	89273	KAR TECH PLC REMOTE CONTROL, 50 FT	1	EA
2	89922	DEUTSCH CONNECTOR, 6 PIN	1	EA
3	BW10147	PINS (FEMALE)	6	EA
4	89222-CG	DEUTSCH BACK SHELL FOR 89922	1	EA
5	89223-CG	DEUTSCH COMPRESION NUT FOR 89922	1	EA
6	BW10207	SW, TOGGLE, (ON-OFF) PUMP ON/OFF & FWD/REV FAST CHANGE	3	EA
7	BW10206	SW, TOGGLE, (ON-OFF) HORN & STROKE CHANGE	2	
8	88170	LED, CONTROL ON (GREEN)	2	EA
9	88171	LED, CONTROL ON (RED)	1	EA
10	BW10223	SW, POWER ON/ OFF	1	EA
11	BW10205	SW, TOGGLE, (ON-OFF-ON) RPM +/- & VOLUME +/-	2	EA
12	87875	SPRING SNAP	1	EA
REF	BW10361	SW, SEALING BOOT	8	EA

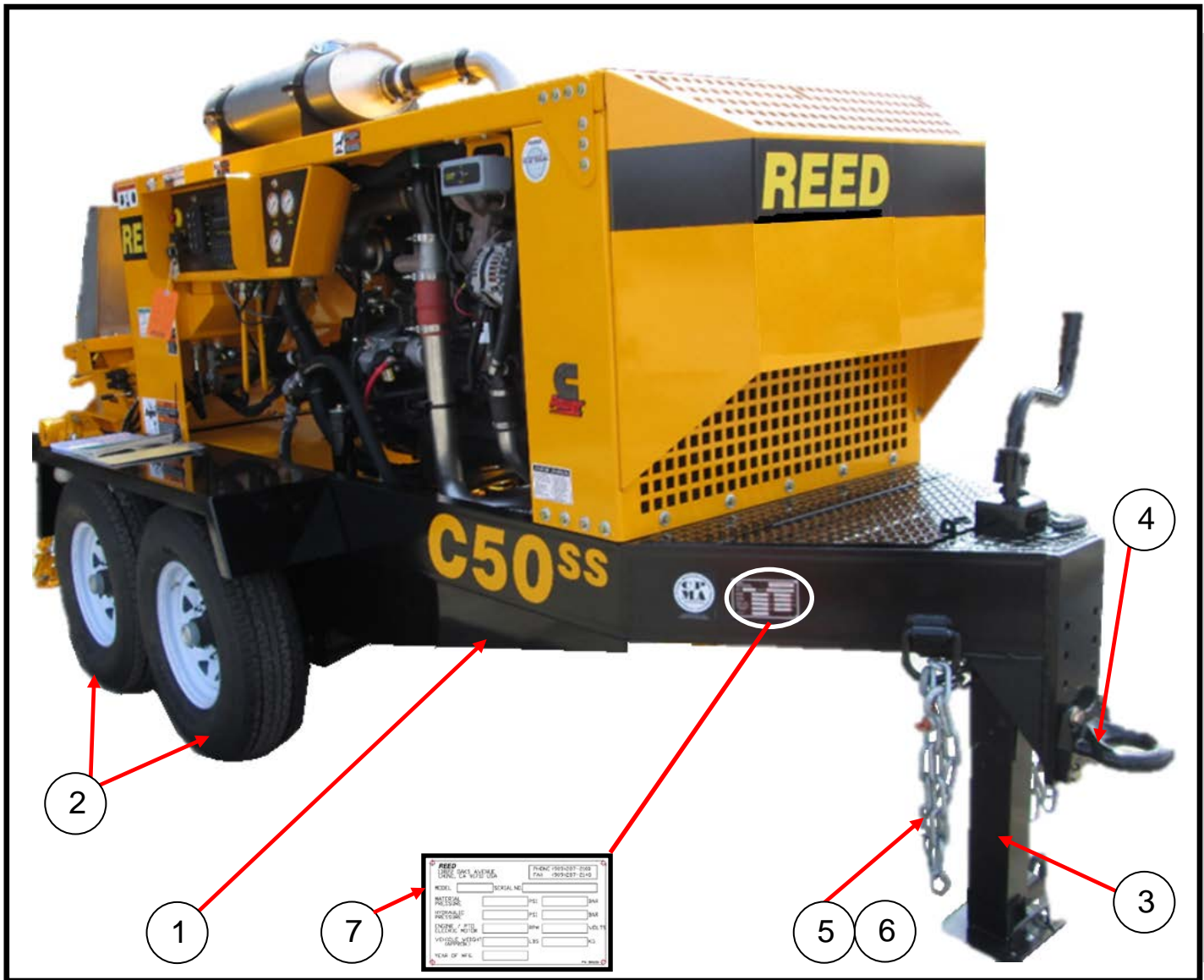


# C70SDRV11 PARTS

13822 Oaks Avenue  
Chino, CA 91710  
reedpumps.com  
1-(909) 287 - 2100

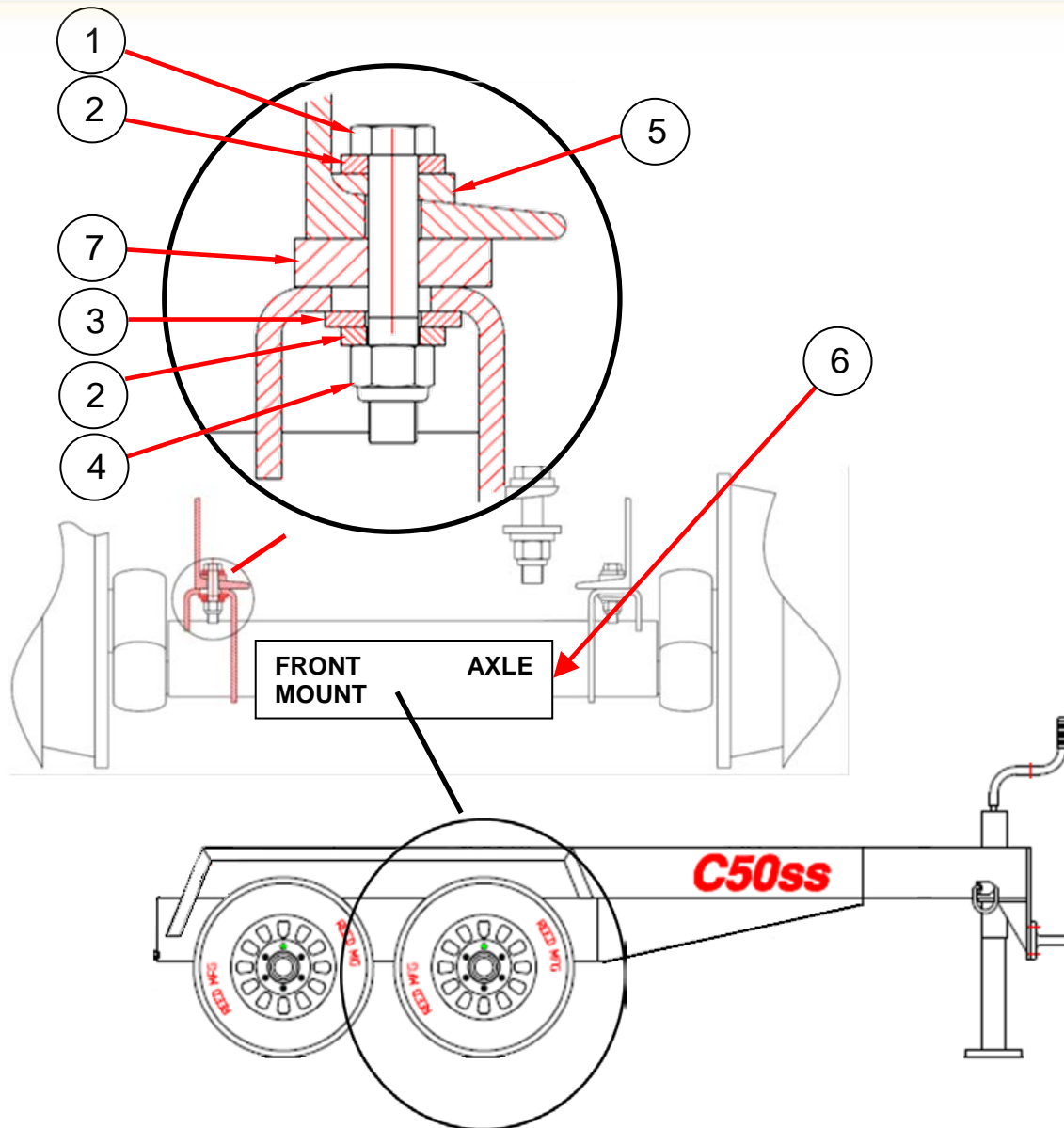
## FRAME INSTALLATION

### FRAME, TIRES, JACK, AND TOW EYE



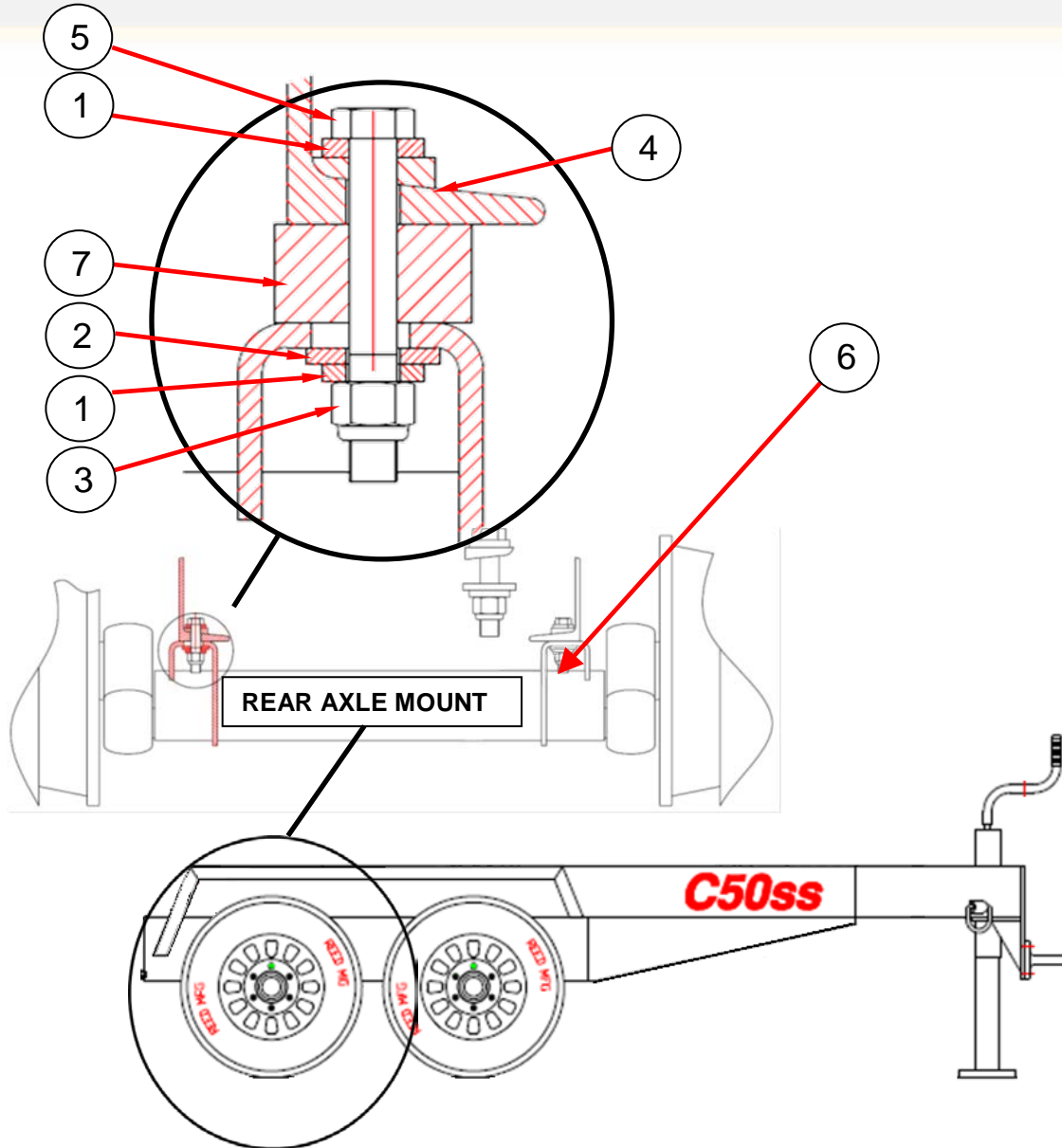
ID #	PART #	PART DESCRIPTION	QUANTITY	
	89005	FRAME ASSY C SER/CUMMINS TIER-3	1	EA
1	89005	FRAME WELDMENT C-SER 2007 CUMMINS	1	EA
2	85423	TIRE & WHEEL ASSY -9.50-16.5LT	4	EA
3	85123	JACK WELDMENT	1	EA
4	87037	DRAW BAR	1	EA
5	87086	CHAIN ASSEMBLY	2	IN
6	87085	SHACKLE ANCHOR, SCREW PIN, 1/2 6600	4	FT
7	803326	SERIAL NUMBER PLATE (BLANK)	1	EA

## 7000LB AXLE MOUNTING ASSEMBLY FRONT



ID #	PART #	PART DESCRIPTION	QUANTITY	
		AXLE MOUNTING HARDWARE KIT	1	EA
1		½" -20 X 3.5 HHCS GR8	2	EA
2		½" SAE WASHER	8	EA
3		½" USE WASHER	4	EA
4		½" - 20 LOCK NUT	4	EA
5		½" BEVELED WASHER	4	EA
6	89010	AXLE, TORSION, 7000 LB	2	EA
7	89011	SPACER AXLE MOUNT FRONT	2	EA

## 7000LB AXLE MOUNTING ASSEMBLY REAR



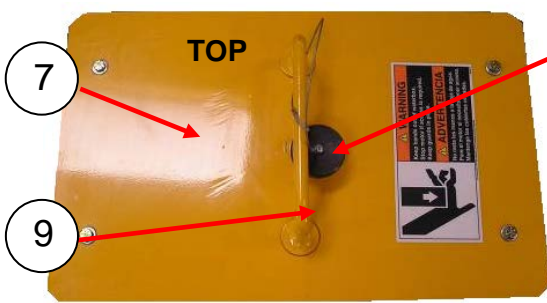
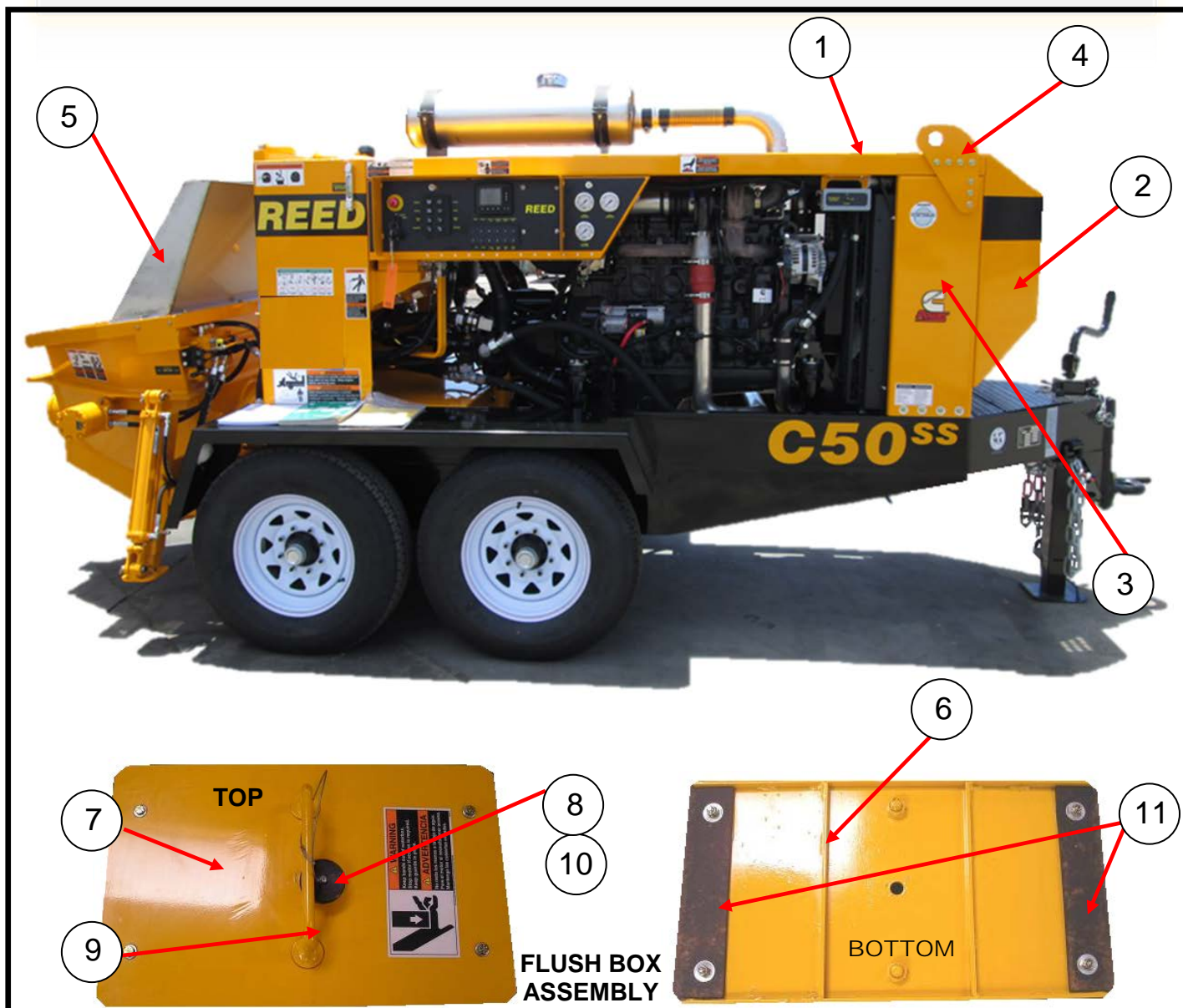
ID #	PART #	PART DESCRIPTION	QUANTITY	
		AXLE MOUNTING HARDWARE KIT	1	EA
1		½" SAE WASHER	8	EA
2		½" USE WASHER	4	EA
3		½" - 20 LOCK NUT	4	EA
4		½" BEVELED WASHER	4	EA
5		½" -20 X 4.5 HHCS GR8	2	EA
6	89010	AXLE, TORSION, 7000 LB	2	EA
7	89012	SPACER AXLE MOUNT REAR	2	EA



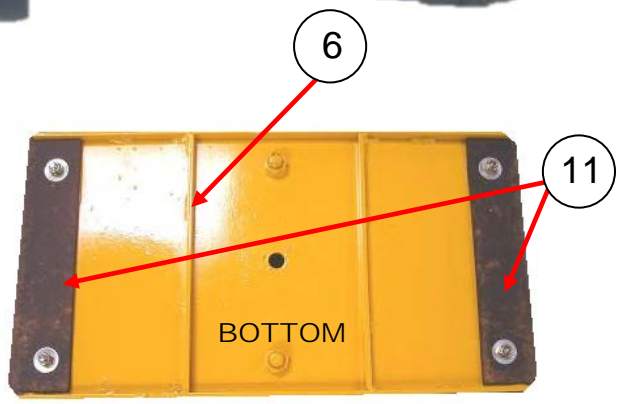
# C70SDRV11 PARTS

13822 Oaks Avenue  
Chino, CA 91710  
reedpumps.com  
1-(909) 287 - 2100

## HOOD AND COVERS

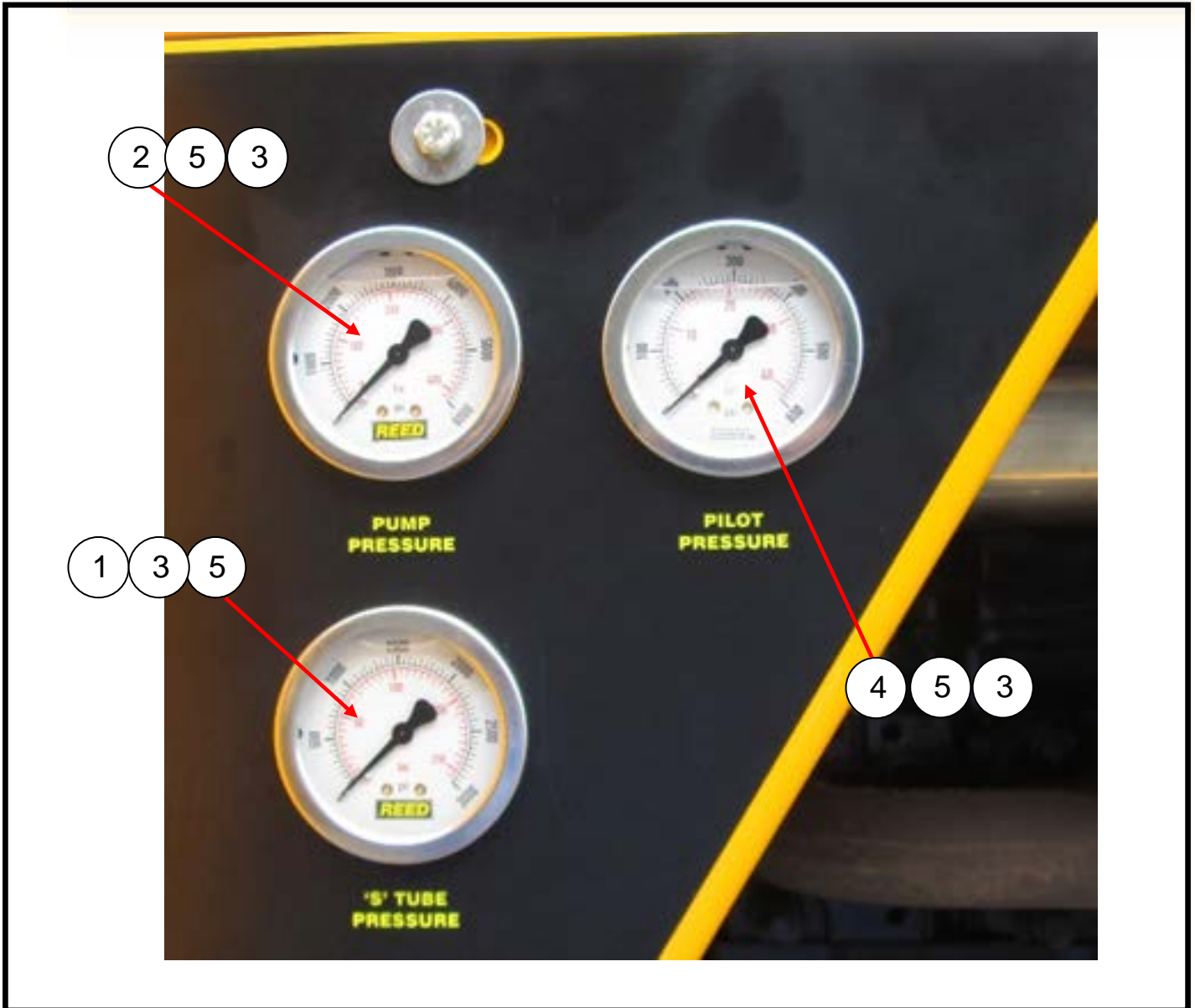


**FLUSH BOX  
ASSEMBLY**



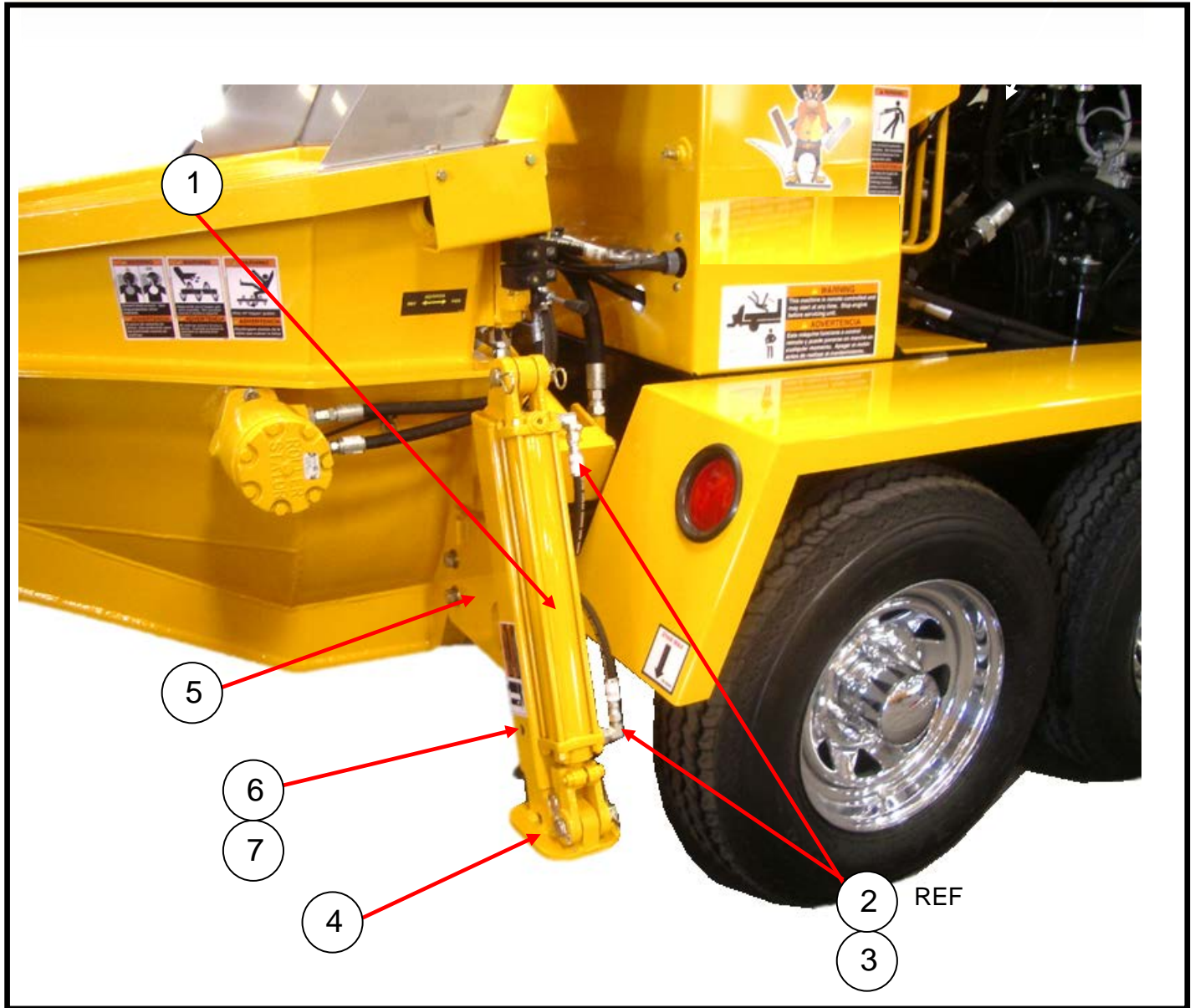
ID #	PART #	PART DESCRIPTION	QUANTITY	
1	87591	COVER TOP, C SER CUMMINS PAINTED	1	EA
2	87592	COVER FRONT AIR INTAKE, PAINTED	1	EA
3	87593	COVER, ENGINE FRONT PAINTED	1	EA
4	87647	GUSSET ENGINE COVER PAINTED	2	
5	85390	SPLASH GUARD, B & C SERIES	1	EA
6	86106	COVER ASSY, FLUSH BOX	1	EA
7	86010	COVER WELDMENT, FLUSH BOX	1	EA
8	86105	KNOB	1	EA
9	79056	HANDLE	1	EA
10	800418	LANYARD, Q/R PIN	1	EA
11	87755	GASKET, FOR FLUSH BOX LID	1	EA

## GAUGES



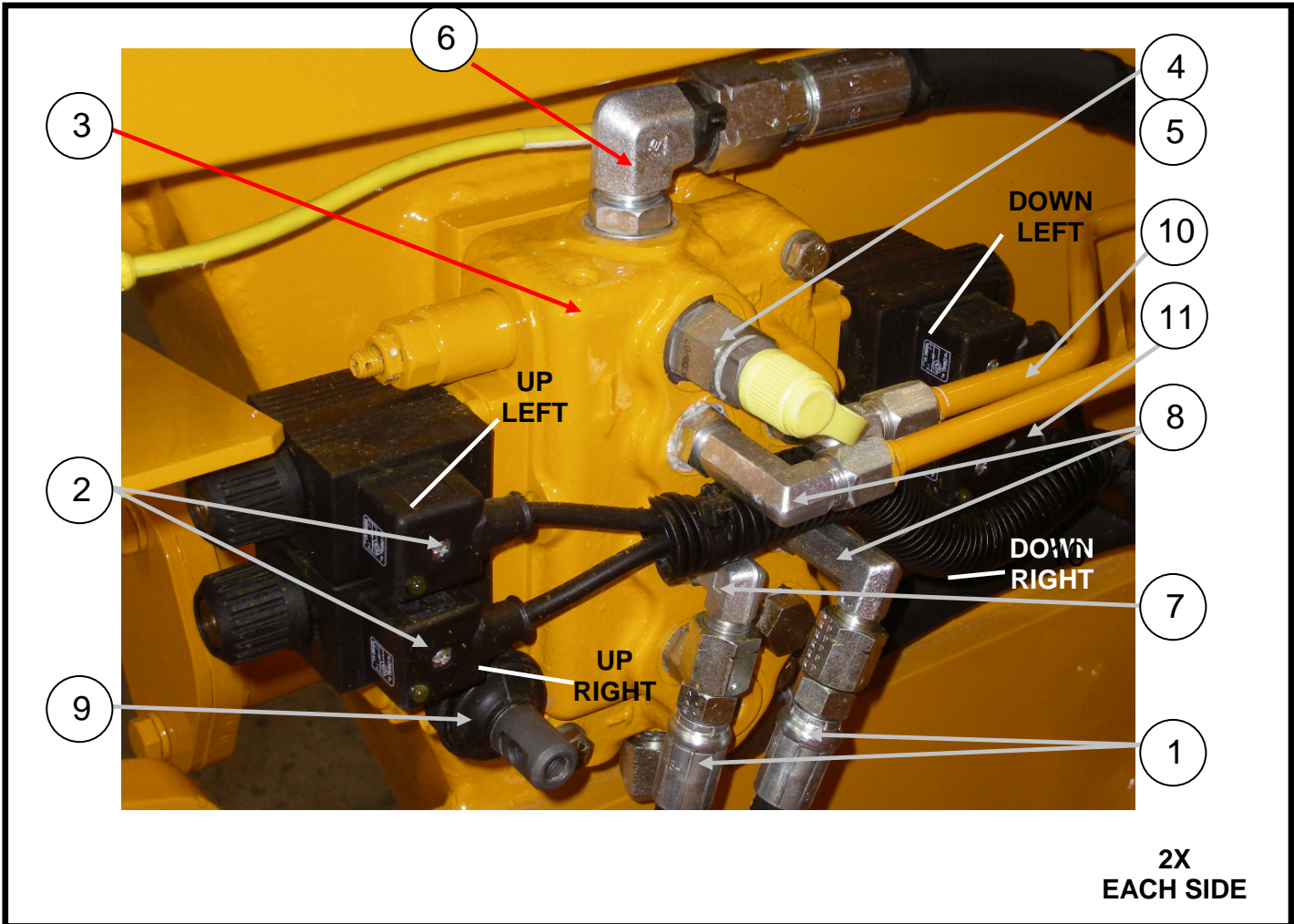
ID #	PART #	PART DESCRIPTION	QUANTITY	
1	70366	PRESSURE GAUGE 3000 PSI/BAR	1	EA
2	74562	PRESSURE GAUGE 6000 PSI/BAR	1	EA
3	803218	ADAPTER GAUGE, 1/4 FPT-M16X2 MALE	3	EA
4	87727	PRESSURE GAUGE 600 PSI	1	EA
5	802842	MINICHECK HOSE, 48" 1620 END	3	EA

## HYDRAULIC OUTRIGGER GROUP



ID #	PART #	PART DESCRIPTION	QUANTITY	
1	86574	HYD CYL – 2.00 BORE X 12.00 STR – PAINTED	2	EA
2	85659-010	HOSE, 4M2T-6FJX-6FJX-33.00	REF	EA
3	86728-008	FITTING, 90° MB-MJ90-8-6	4	EA
4	86553	OUTRIGGER WELDMNT, INNER-PAINTED	2	EA
5	86557	OUTERTUBE, O/R B & C - PAINTED	2	EA
6	85595	PIN, Q/R, 5/8 DIA X 3 1/2 L	2	EA
7	800418	LANYARD, Q/R PIN	2	EA

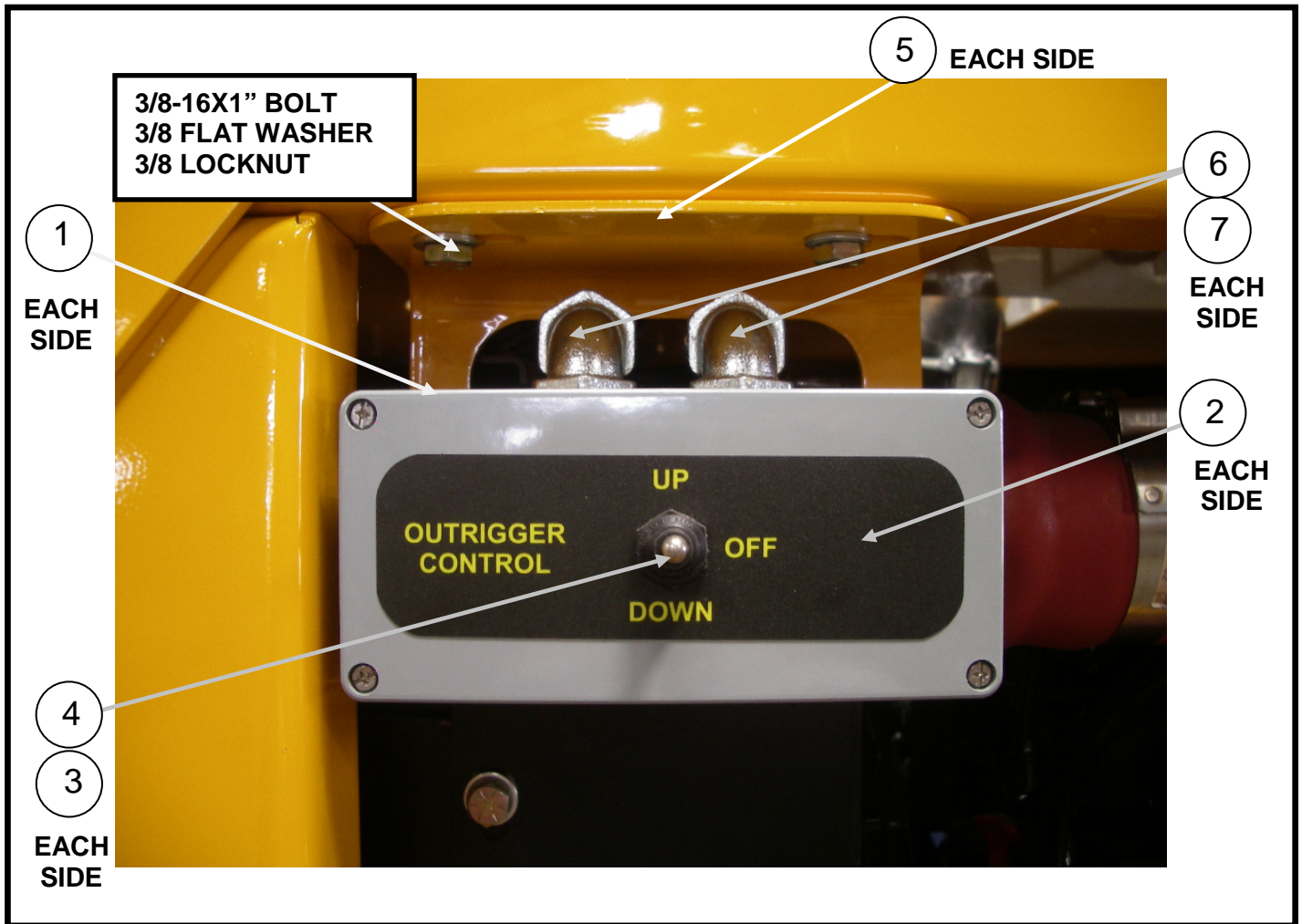
## ELECTRIC HYDRAULIC OUTRIGGER



ID #	PART #	PART DESCRIPTION	QUANTITY	
	88041-AO	HYD OUTRIGGER ASSEMBLY, REMOTE	REF	EA
1	85659-010	HOSE, 4M2T-6FX-6JX-33.00	4	EA
2	87540	CABLE SOLENIOD VALVE, WITH DIN PLUG	4	EA
3	88026	VALVE, 3SPOOL,12 VDC SPOOL	1	EA
4	800083	FITTING, MINI CHECK (PORT)	1	EA
5	86750	ADAPTER, MB-FB-8-6	1	EA
6	86749	FITTING, MJ-FJX45-10-10	1	EA
7	86748	FITTING, 90° MB-MJ90-6-6	3	EA
8	86747	FITTING.90° MB-MJ90LL-6-6	3	EA
9	74471-B	BOOT, COVER	3	EA
10	85685	TUBE, HYD,OUTRIGGER-PAINTED	1	EA
11	85686	TUBE, HYD,OUTRIGGER-PAINTED	1	EA

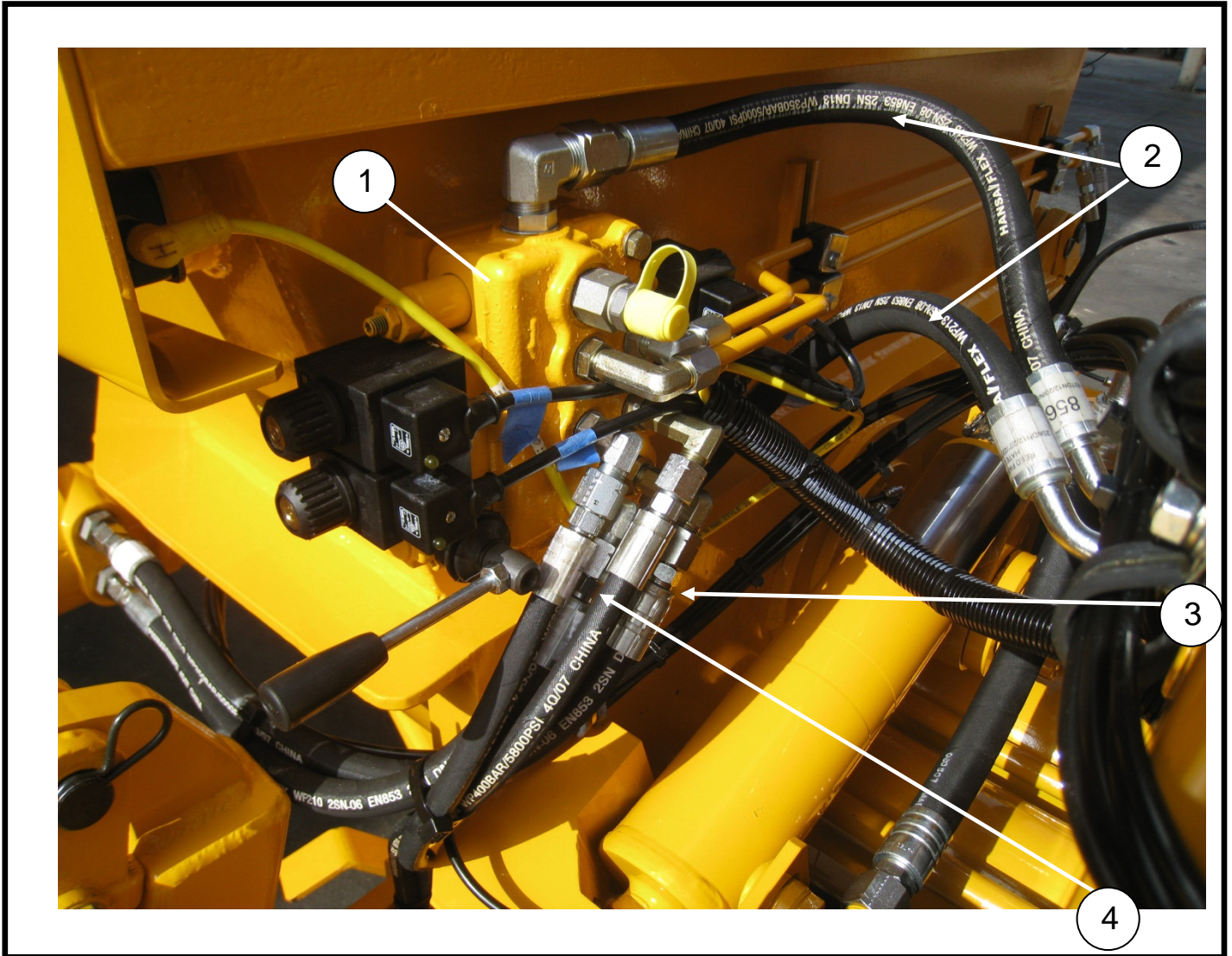


## ELECTRIC HYDRAULIC OUTRIGGER CONTROLS



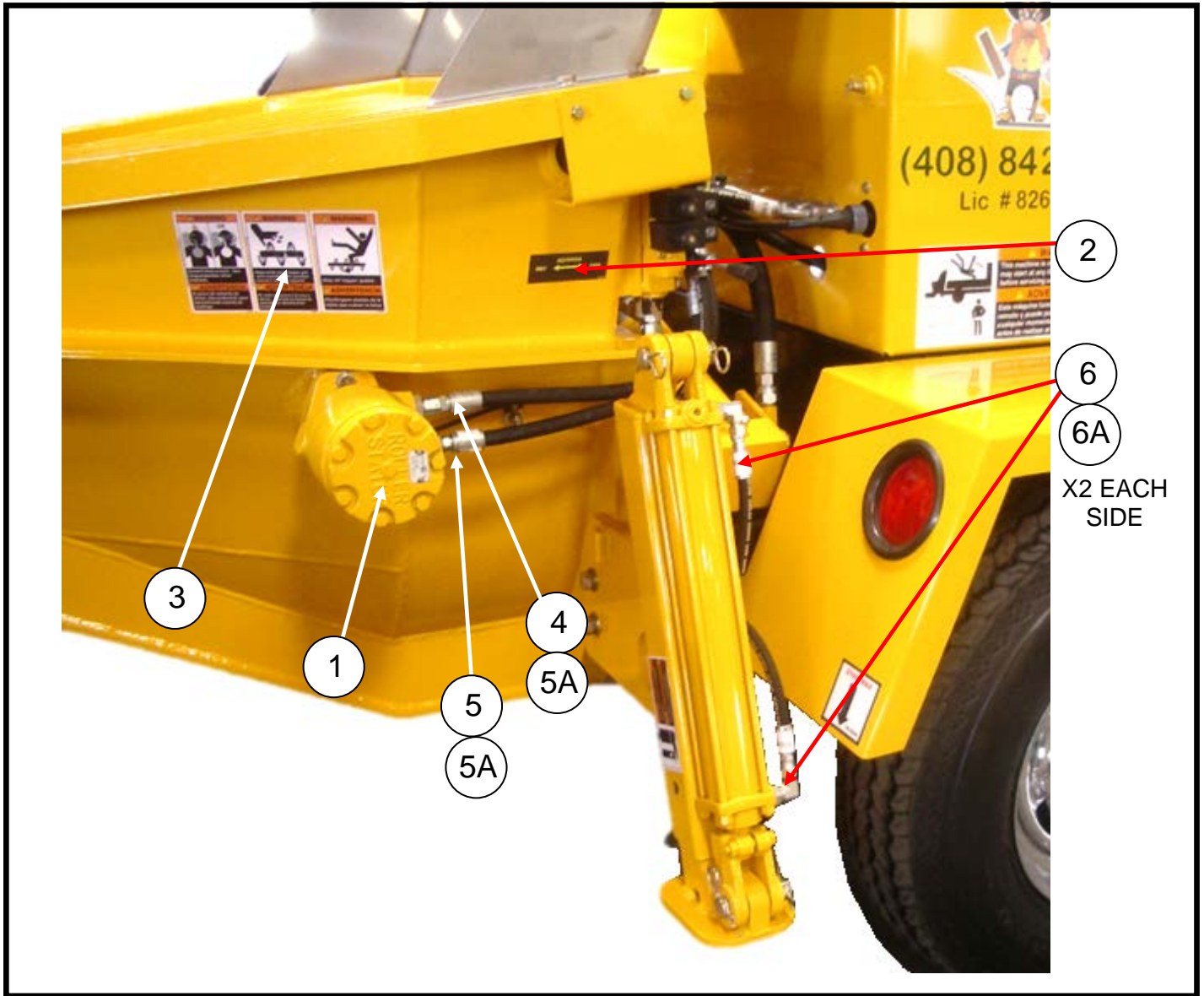
ID #	PART #	PART DESCRIPTION	QUANTITY	
1	801206	ENCLOSURE 6X3X3, FIBERGLASS	2	EA
2	88163	DECAL OUTRIGGER UP/DOWN	2	EA
3	BW10205	SWITCH, 3 POSITION MOM/SPDT	2	EA
4	BW10361	SW, SEALING BOOT	2	EA
5	88164	BRACKET OUTRIGGER CONTROL MOUNT	2	EA
6	10522	STRAIGHT STRAIN RELIEF	4	EA
7	10528	NUT 1/2", BONDING TYPE LOCK	4	EA

## AGITATOR GROUP



ID #	PART #	PART DESCRIPTION	QUANTITY	
1	88026	VALVE, 3SPOOL,12 VDC SPOOL	REF	EA
2	85657-016	HOSE, 8M2T-10FJX-10FJX45-20.00	2	EA
3	85658-011	HOSE, 6M2T-6FJX-6FJX-21.00	1	EA
4	85658-010	HOSE, 6M2T-6FJX-6FJX-20.00	1	EA
5		FITTING,MB-MJ-10-6	2	EA

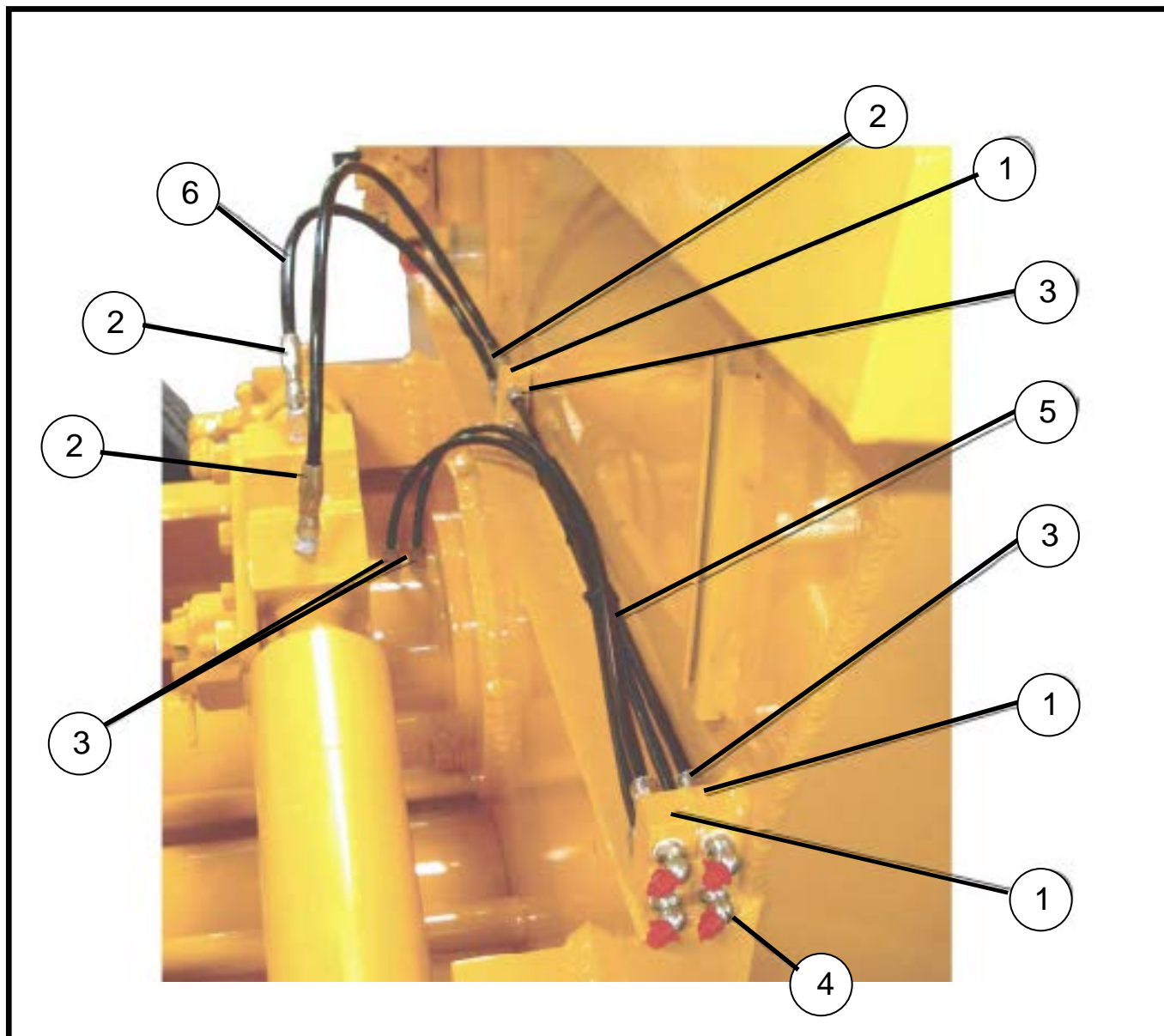
## AGITATOR GROUP CONTINUED



ID #	PART #	PART DESCRIPTION	QUANTITY	
1	85811	HYD MOTOR, 45.6 CID, 1" SHAFT	1	EA
2	85846	DECAL, AGITATOR	1	EA
3	800919	DECAL, WARNING, STAND CLEAR	2	EA
4	85658-011	HOSE, 6M2T-6FJX-6FJX-21.00	REF	EA
5	85658-010	HOSE, 6M2T-6FJX-6FJX-20.00	REF	EA
5A		FITTING,MB-MJ-10-6	2	EA
6	85659-010	HOSE, 4M2T-6FJX-33.00	REF	EA
6A	86728-008	ELBOW, MB-MJ90-8-6	4	EA

## OPTIONS

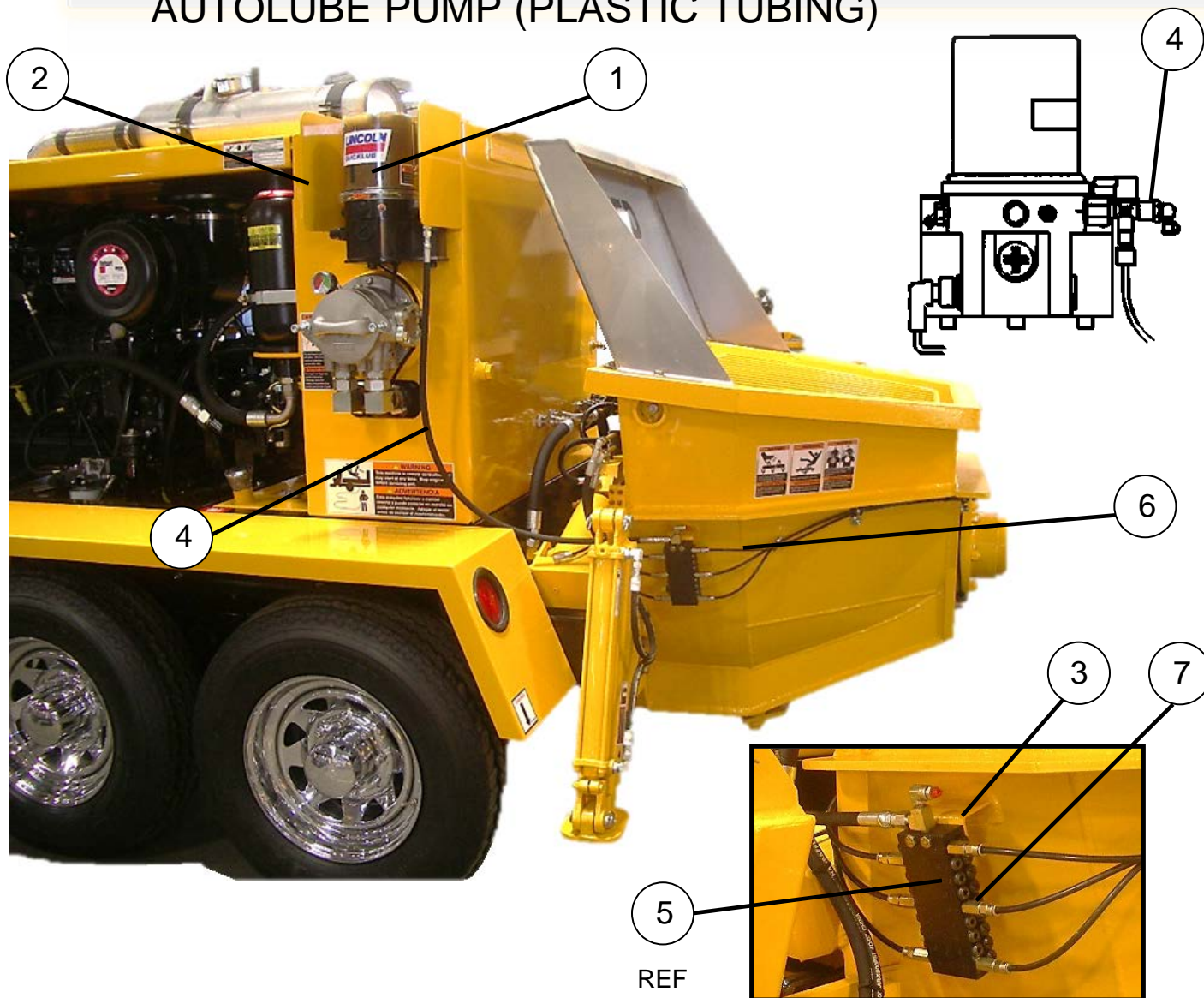
### LUBE BLOCK



ID #	PART #	PART DESCRIPTION	QUANTITY	
	87539	ASSEMBLY, CENTRALIZED LUBE BLOCK	1	EA
1	87437	BLOCK	3	EA
2	87628	HOSE, COUPLING	4	EA
3	87629	FITTING, HOSE	8	EA
4		FITTING, GREASE	4	EA
5	87193-25	HOSE, PLASTIC- 1/4 " O.D. TUBING	A/R	
6	87193-22	HOSE, PLASTIC 5/16" O.D. TUBING	A/R	

### OPTIONS

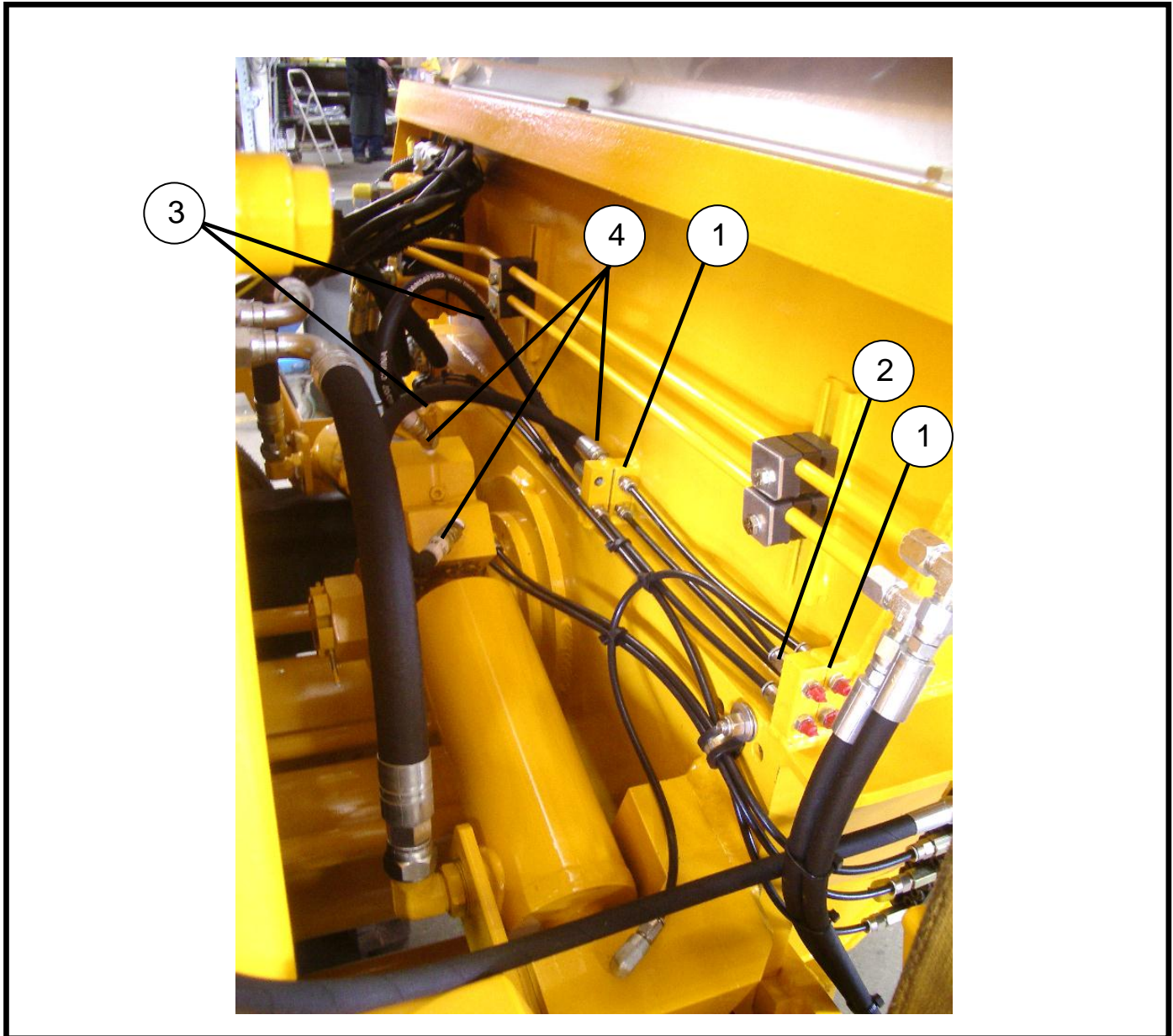
#### AUTOLUBE PUMP (PLASTIC TUBING)



ID #	PART #	PART DESCRIPTION	QUANTITY	
	87485-2	ASSEMBLY, AUTO LUBE 12V WITH HYDRALIC LINES	REF	EA
	87193	LUBE PUMP ASSY (PLACTIC TUBING)	REF	EA
1	87193-21	LUBE PUMP	1	EA
2	87257	GUARD	1	EA
3	87475	BRACKET, LUBE BLOCK MOUNT	1	EA
4	87193-42	VALVE, PRESSURE RELIEF	1	EA
5	78533	BLOCK, DIVIDER VALVE -12 PORT OUTLET	1	EA
6	87193-25	HOSE, PLASTIC- 1/4" O.D.	A/R	
7	88364	ADAPTER STAIGHT, LINCOLIN LUBE	6	EA
8	87485-H1	HOSE, R2TDN06/45"/14110-04-02/14110-04	1	EA

## OPTIONS

## AUTOLUBE PUMP (PLASTIC TUBING) CONTINUED

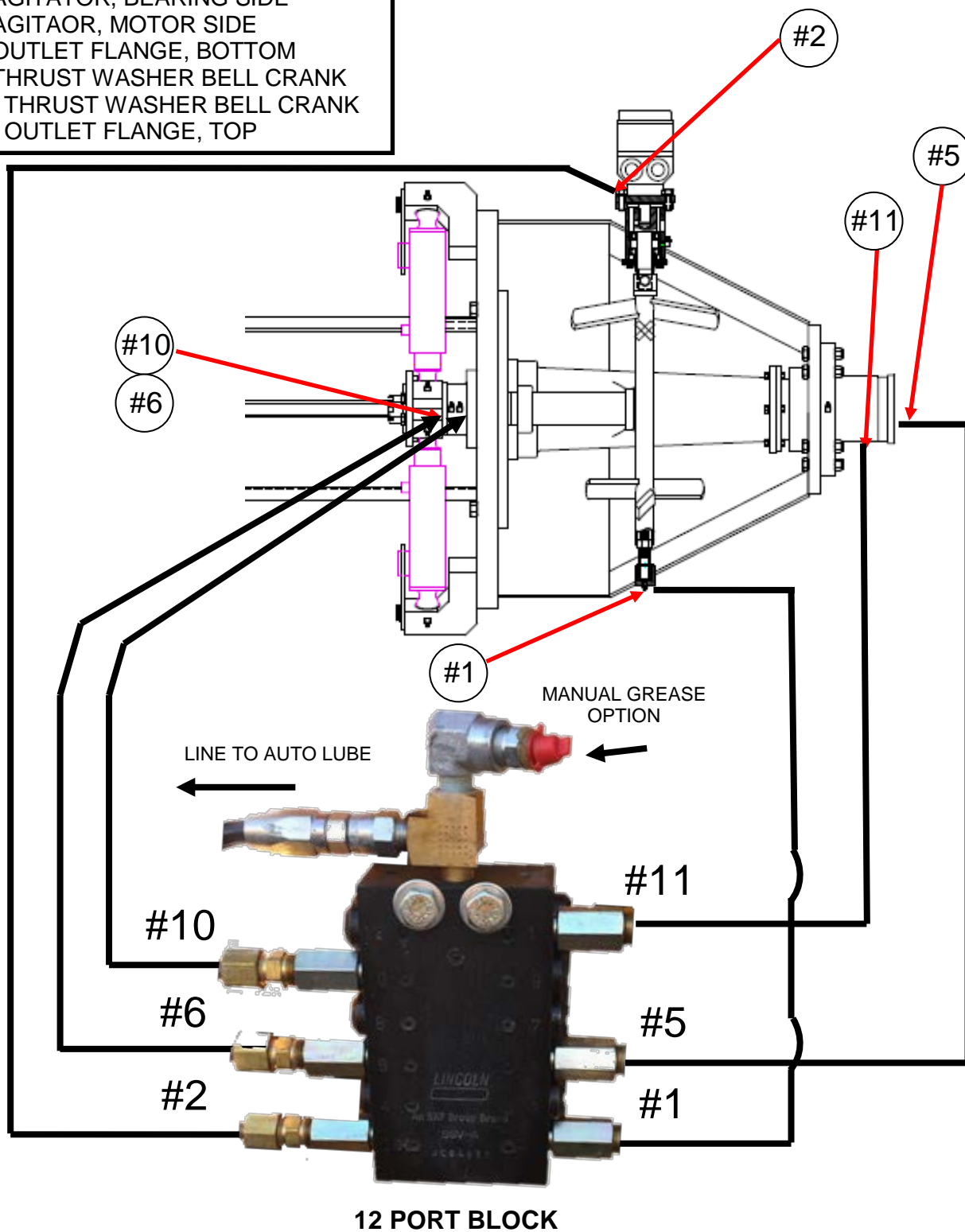


ID #	PART #	PART DESCRIPTION	QUANTITY	
1	87437	UNION,BLOCK	3	EA
2	87629	FITTING, QUICKLOCK	19	EA
3	87485-H2	HOSE, 6/23"-14110-04-02/14110-04-02	2	EA
4	87630	STREET ELBOW LUB, 1/8" NPT SWIVEL	4	EA

### OPTIONS

### AUTOLUBE GREASE VALVE LINE DIAGRAM

- #1 AGITATOR, BEARING SIDE
- #2 AGITATOR, MOTOR SIDE
- #5 OUTLET FLANGE, BOTTOM
- #6 THRUST WASHER BELL CRANK
- #10 THRUST WASHER BELL CRANK
- #11 OUTLET FLANGE, TOP

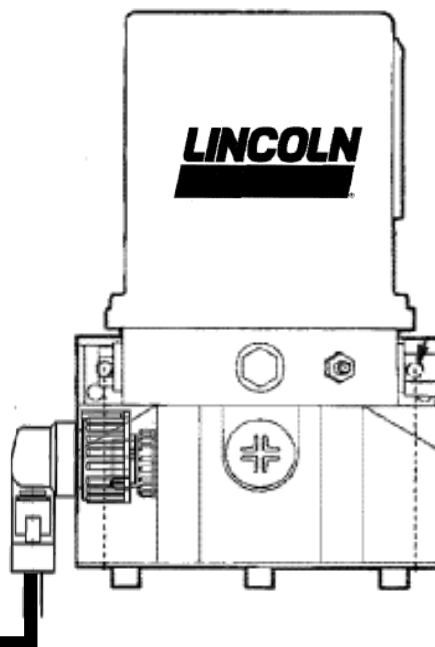


## OPTIONS AUTOLUBE WIRING DIAGRAM

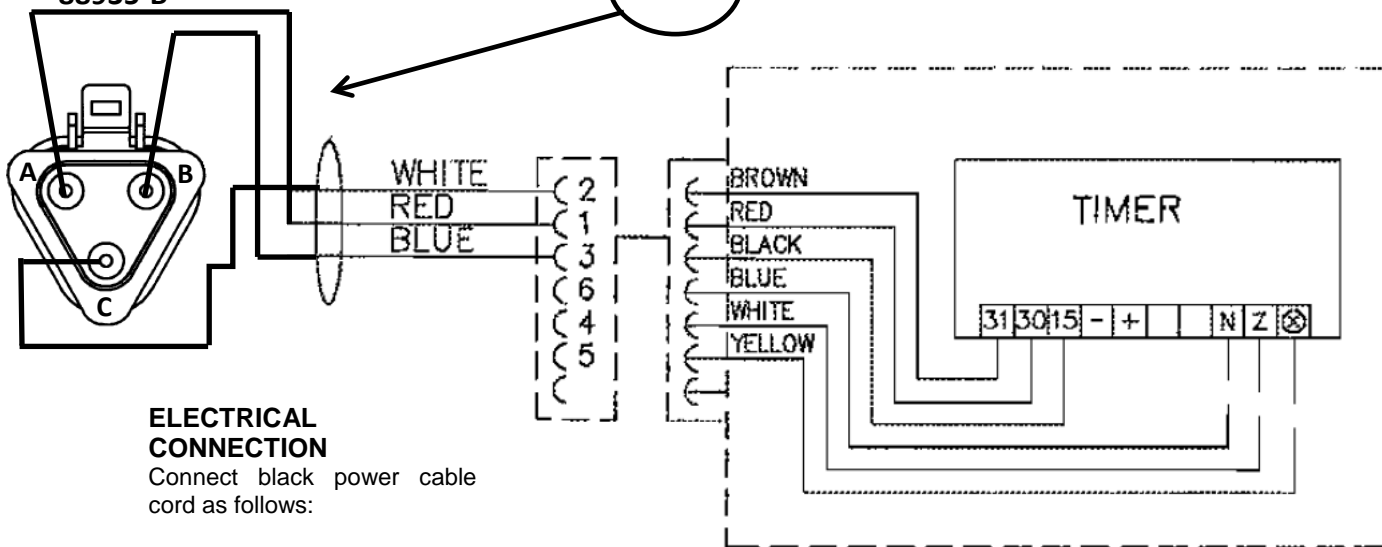
POWER+12v	#35 BRN
KEYPOWER+12v	#38 BLU
GROUND-	#75 YELL/GRN

128 PIN PLUG

AUTO LUBE SYSTEM



88933-1  
 88958  
 88935-B



**ELECTRICAL CONNECTION**

Connect black power cable cord as follows:

**PIN A:** Red wire connects to 10 AMP fuse (BATTERY)

**PIN C:** White wire connects to Ground

**PIN B:** Blue wire connects to Ignition switch, to 10 amp fuse then battery (+) (KEY)





# C70SDRV11

PARTS

13822 Oaks Avenue  
Chino, CA 91710  
reedpumps.com  
1-(909) 287 - 2100

## AVAILABLE OPTIONS

OUTRIGGER GROUP  
HYD OUTRIGGER  
OUTRIGGER/AGITATOR  
ELECTRIC OUTRIGGER



AGITATOR GROUP  
STD/PADDLE  
OPTION/PADDLE  
HYD/AGITATOR/SINGLE  
HYD/AGITATOR/TRIPLE



RADIO REMOTE



50' CABLE REMOTE  
W/STROKE  
COUNTER



WIRELESS  
REMOTE 900  
MHZ PNU  
SYSTEM



LIFTING KIT



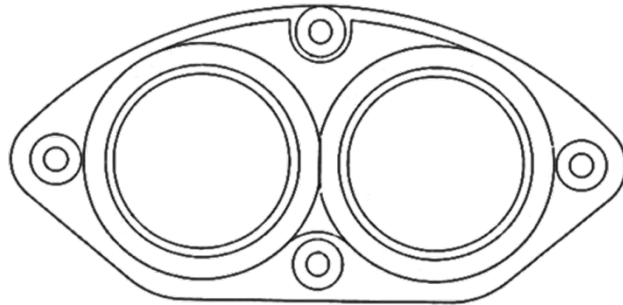


# C70SDRV11

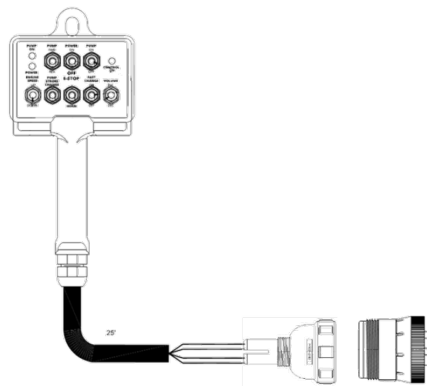
PARTS

13822 Oaks Avenue  
Chino, CA 91710  
reedpumps.com  
1-(909) 287 - 2100

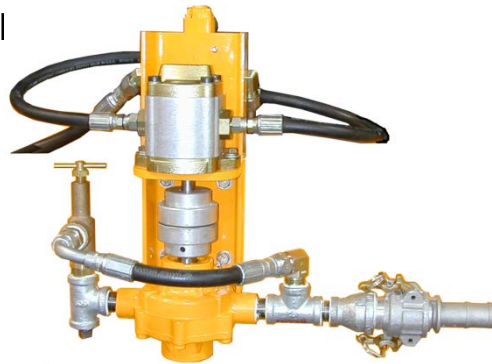
CARBIDE WEAR PARTS  
WEAR RING/CARBIDE  
WEAR PLATE/CARBIDE



REMOTE CONTROL, CABLE  
KARTECH PLC 50FT



WATER PUMP WASH PUMP INSTALI  
WASH PUMP ASSY



VIBRATOR KIT  
COUGAR  
VIBCO





# C70SDRV11

PARTS

13822 Oaks Avenue  
Chino, CA 91710  
reedpumps.com  
(909) 287 - 2100

TIRE & WHEEL CHROME



AUTO LUBE  
STEEL TUBING 12 PORT  
PLASTIC TUBING 12 PORT



MANUAL LUBE BLOCK

SURGE BRAKE ASSY  
3" PINTLE

