



# B70HPD PLC

## PARTS

13822 Oaks Avenue  
Chino, CA 91710  
reedpumps.com  
(909) 287 - 2100

PARTS.....	3
PUMPING TRAIN ASSEMBLY .....	3
S-TUBE.....	5
5" OUTLET ASSEMBLY .....	5
5" OUTLET SEAL KIT INSTALLATION .....	5
WEAR PLATE ASSEMBLY .....	7
7" PISTON CUP ASSEMBLY .....	8
DRIVE CYLINDER ASSEMBLY .....	9
DUAL SHIFT BELL CRANK ASSEMBLY .....	10
DUAL SHIFT CYLINDER ASSEMBLY .....	11
DUAL SHIFT ASSEMBLY.....	12
HOPPER.....	13
AGITATOR ASSEMBLY.....	13
SAFETY GRATE .....	15
CLEAN OUT DOOR ASSEMBLY .....	17
POWER TRAIN GROUP .....	19
ENGINE, PUMPS, AND FILTER .....	19
MAIN HYDRAULIC PUMP .....	20
GEAR PUMP/PUMP DRIVE .....	20
FITTINGS.....	22
EXHAUST.....	23
TANKS .....	24
FUEL TANK ASSEMBLY.....	24
HYDRAULIC TANK ASSEMBLY .....	25
MANIFOLDS .....	27
DRIVE CYLINDER CIRCUIT MANIFOLD ASSEMBLY .....	27
S-TUBE CIRCUIT MANIFOLD ASSEMBLY .....	29
ACCUMULATOR ASSEMBLY .....	31
ELECTRICAL GROUP .....	32
PROXIMITY SWITCHES .....	32
STARTER AND ALTERNATOR.....	33
TRAILER HARNESS AND BREAKAWAY .....	34
TAIL LIGHTS.....	35
WIRING HARNESS.....	36
PLC CONTROLS .....	38
B-SERIES CONTROL PANEL .....	38
KEY PAD SWITCHES INSERT KIT .....	39
MVEC/FUSE/RELAY.....	41



# B70HPD PLC PARTS

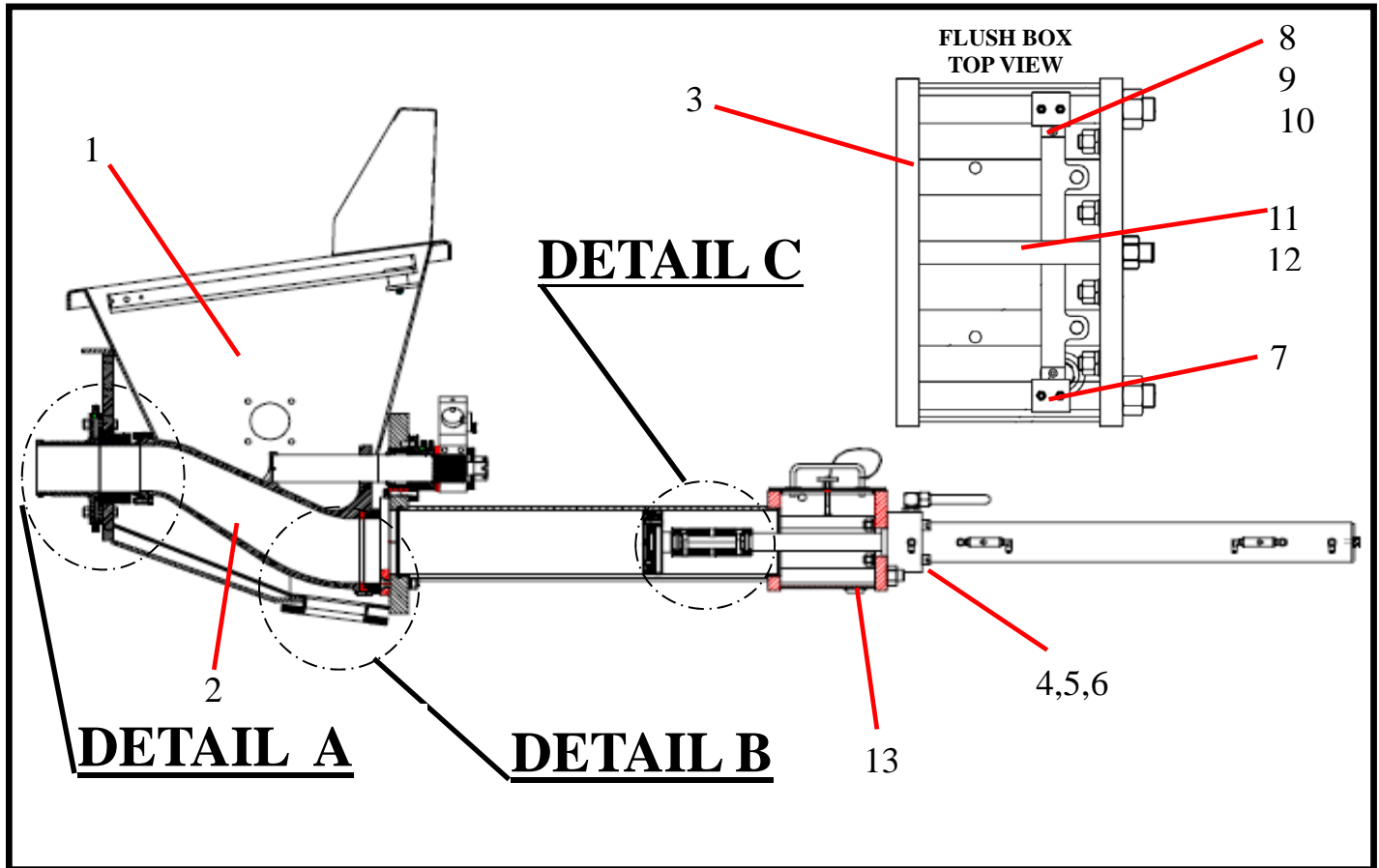
13822 Oaks Avenue  
Chino, CA 91710  
reedpumps.com  
(909) 287 - 2100

ESTOP, KEY ASSEMBLY, PLUGS .....	45
BUSSES, CONNECTORS, PINS .....	46
SERIAL PLATE IDENTIFICATION .....	47
BUSS BAR SET-UP .....	48
CAN PUSH BUTTON SWITCH PLUG .....	49
SWITCH A .....	49
CAN PUSH BUTTON SWITCH PLUG .....	50
SWITCH B .....	50
CAN PLUGS, CONNECTORS .....	51
DEUTSCH 128 PLUG ASSEMBLY .....	52
WIRE HARNESS MAIN LAYOUT .....	54
WIRE HARNESS DOOR LAYOUT .....	55
FRAME INSTALLATION .....	56
FRAME, TIRES, JACK, AND TOW EYE .....	56
9000LB AXLE MOUNTING ASSEMBLY .....	57
HOOD AND COVERS .....	58
FENDERS AND OUTRIGGERS .....	59
HYDRAULIC OUTRIGGER GROUP .....	60
3 SPOOL CONTROL VALVE .....	61
HYDRAULIC OUTRIGGER GROUP .....	62
ELECTRIC HYDRAULIC OUTRIGGER CONTROLS .....	64
AGITATOR GROUP .....	65
1 SPOOL AGITATOR VALVE .....	66
AVAILABLE OPTIONS .....	68

REV	DATE	DESCRIPTION	NAME
B70HPD-V11	4-12-2017	INITIAL	J.SLACK

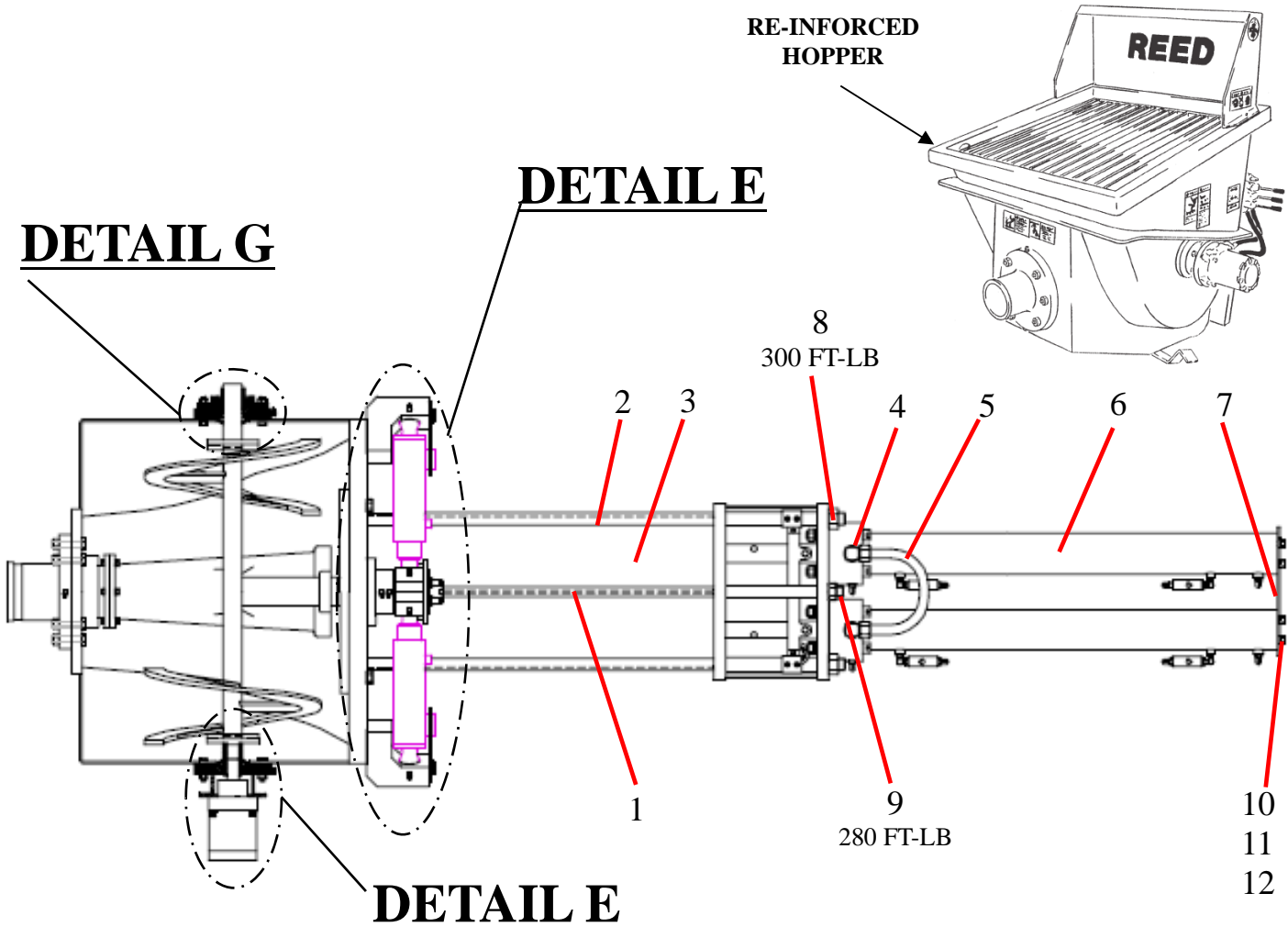
### PARTS

### PUMPING TRAIN ASSEMBLY



ID #	PART #	PART DESCRIPTION	QUANTITY	
	88039-4	PUMP SELL B70 HM 7" DUAL, , NYLON SOCKET, PARKI	REF	
1	85840A	HOPPER WELDMENT, 7" STD SAFETY SWITCH	1	EA
2	86986	S TUBE WLD, 7X5	1	EA
3	85984	FLUSH BOX WELDMENT, 7 IN	1	EA
4		SHCS 3/4 - 10X5" GR 8	8	EA
5		HEX NUT, 3/4 - 10	12	EA
6		LOCK WASHER 3/4"	13	EA
7	86006	BRACKET, PROX SWITCH	1	EA
8	86752	HHCS, 1/4 -20X3/4" GR 8	6	EA
9		LOCK WASHER, 1/4"	2	EA
10		FLAT WASHER, 1/4"	2	EA
11	86665	STUD, 3/8-16X3" LONG	1	EA
12	80072	LOCKWASHER-3/8"	1	EA
13	10282	PLUGS-PIPE GALV 1"	1	EA

### PUMPING TRAIN ASSEMBLY CONTINUED

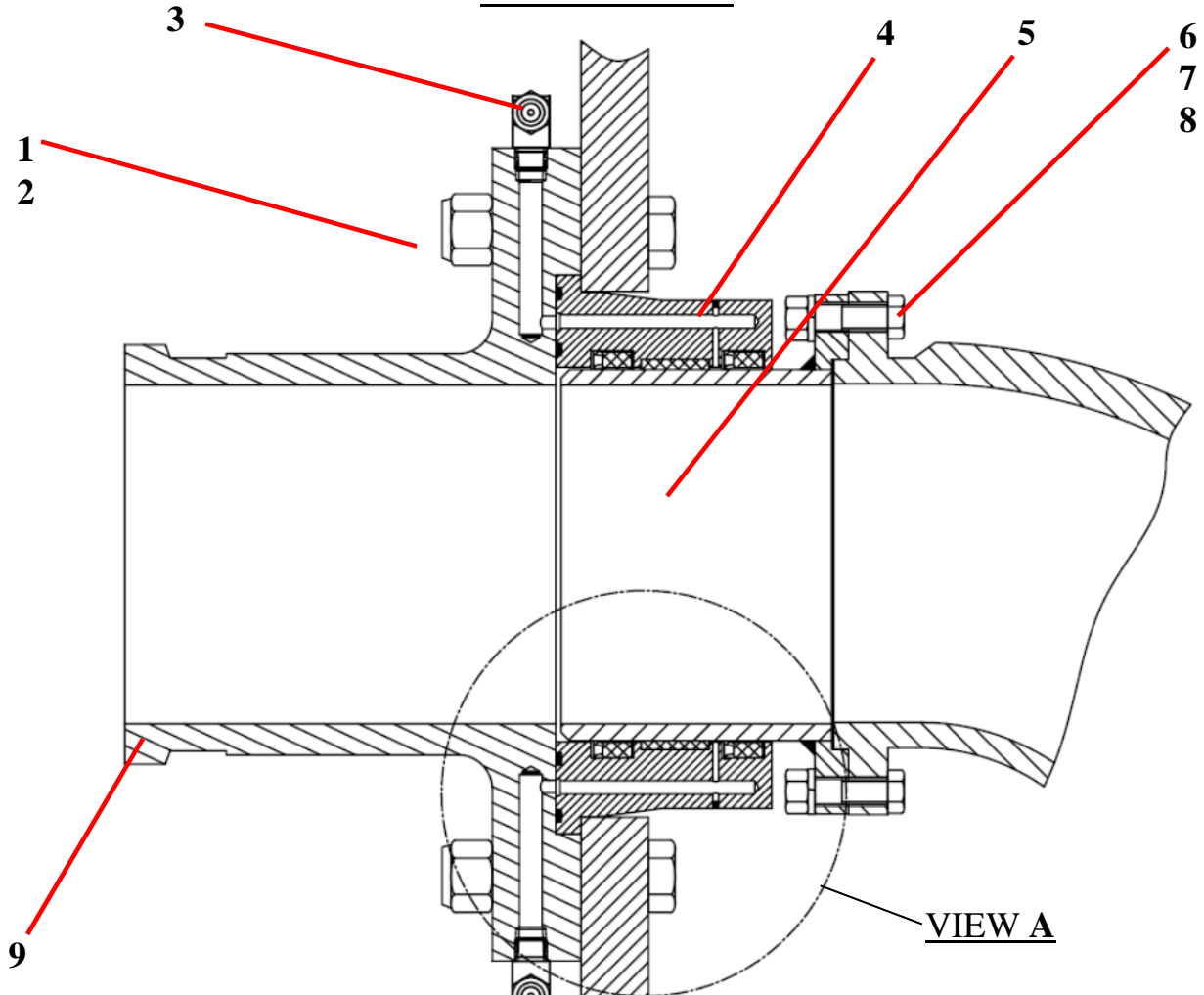


ID #	PART #	PART DESCRIPTION	QUANTITY	
1	86047	TIE ROD, 1" X 51½"	2	EA
2	86046	TIE ROD, 1¼" X 51½"	4	EA
3	86045	CONCRETE CYLINDER, 7 X 36	2	EA
4		ELBOW, MB-MJ90-16-16	2	EA
5	85427	TUBE, HYD, LOOP LINE	1	EA
6	86223HT	DRIVE CYLINDER 3.50 X 2 X 35.75	2	EA
7	87554	END PLATE - DRIVE CYLINDER- PAINTED	1	EA
8		HEX, NUT 1 ¼" -12	4	EA
9		HEX NUT, 1" -12	2	EA
10		HHCS, 1/2 -13X1 ¼" GR 8	4	EA
11	80054	WASHER, 1/2	4	EA
12	86754	LOCK WASHER, ½"	6	EA

### S-TUBE

### 5" OUTLET ASSEMBLY

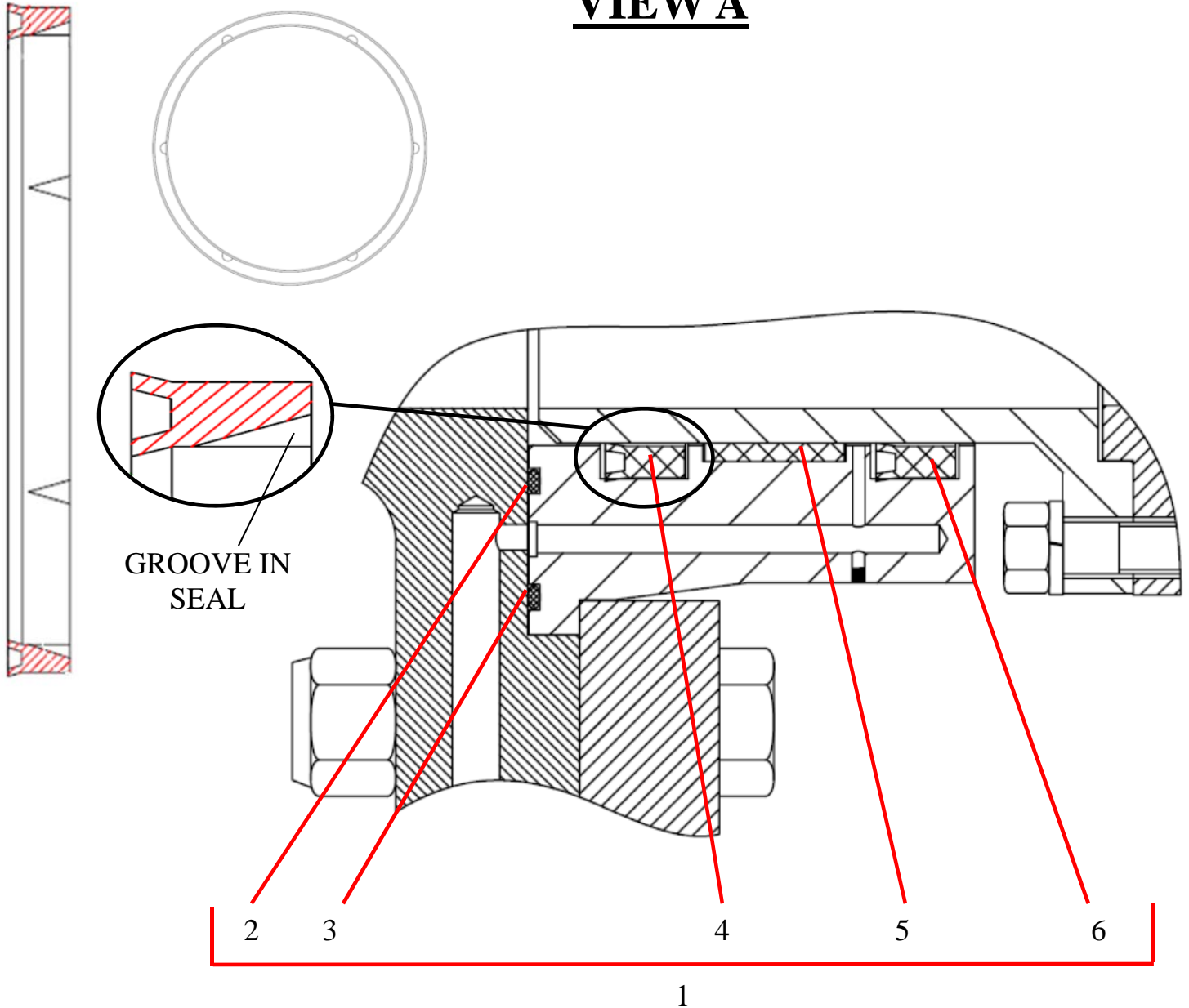
### DETAIL A



ID #	PART #	PART DESCRIPTION	QUANTITY	
	86321	OUTLET ASSEMBLY	REF	
1		HHCS, 5/8 – 18X3” ¼ “ GR 8	6	EA
2		LOCK NUT, 5/8 -18	6	EA
3		GREASE FITTING, 1/8” NPT 90°	2	EA
4	72309	OUTLET SEAL HOUSING	1	EA
5	70042	CHROMED OUTLET	1	EA
6		HHCS, 3/8 – 16X1 ½” GR 8	6	EA
7		HEX NUT, 3/8” - 16	6	EA
8		LOCK WASHER, 3/8”	6	EA
9	72482	OUTLET, 5" (1-PIECE)	1	EA

## 5" OUTLET SEAL KIT INSTALLATION

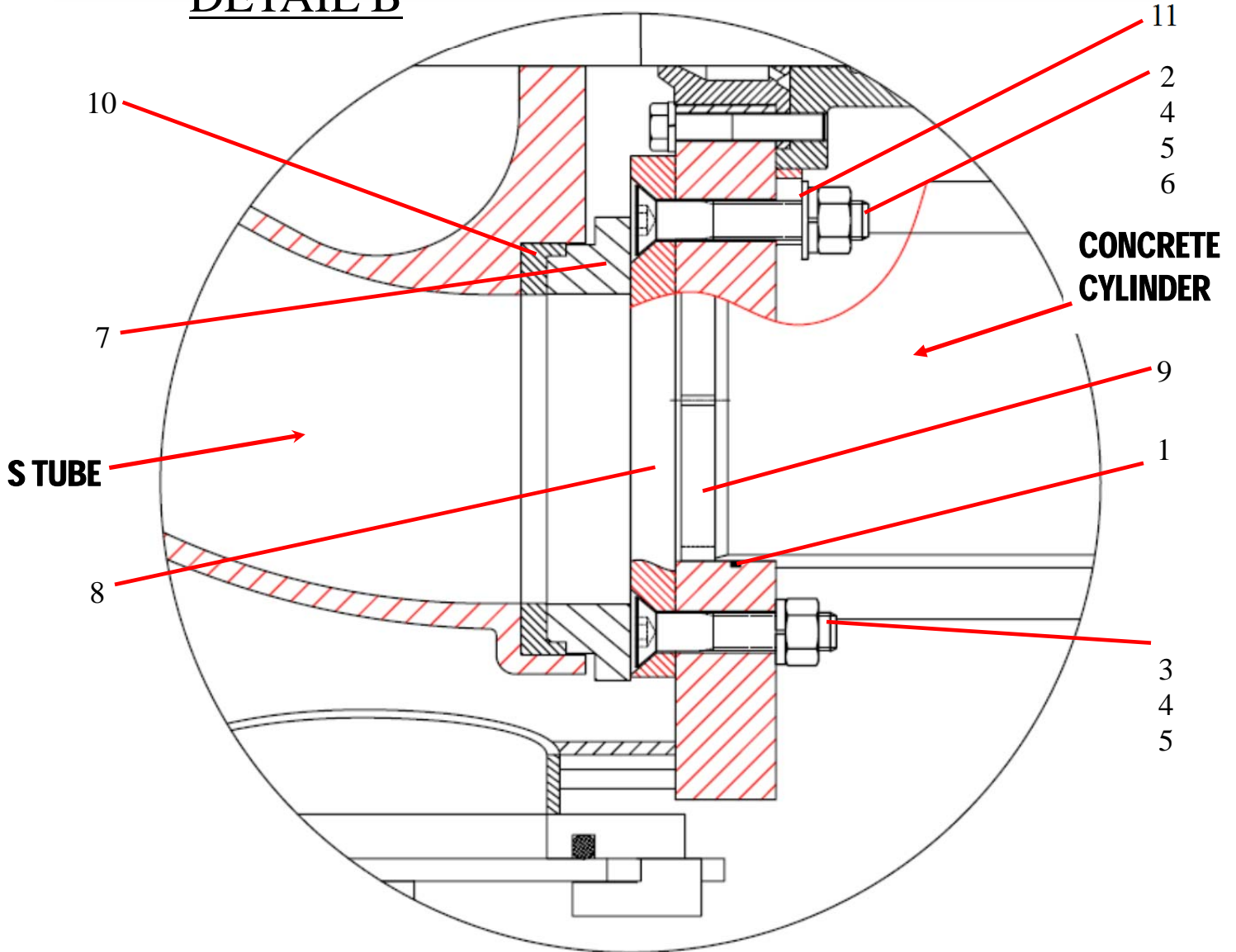
### VIEW A



ID #	PART #	PART DESCRIPTION	QUANTITY	
1	79895	SEAL KIT	1	EA
2	77762	O-RING-#257 BUNA 90	1	EA
3	77761	O-RING-#264 BUNA 90	1	EA
4	86504	SEAL-MODIFIED- 5 IN OUTLET	1	EA
5	77763	GUIDE BAND - 5.75 OD X 1.00W	1	EA
6	77765	LIP SEAL-5.50 ID X 6.00 OD X .56 D	1	EA

### WEAR PLATE ASSEMBLY

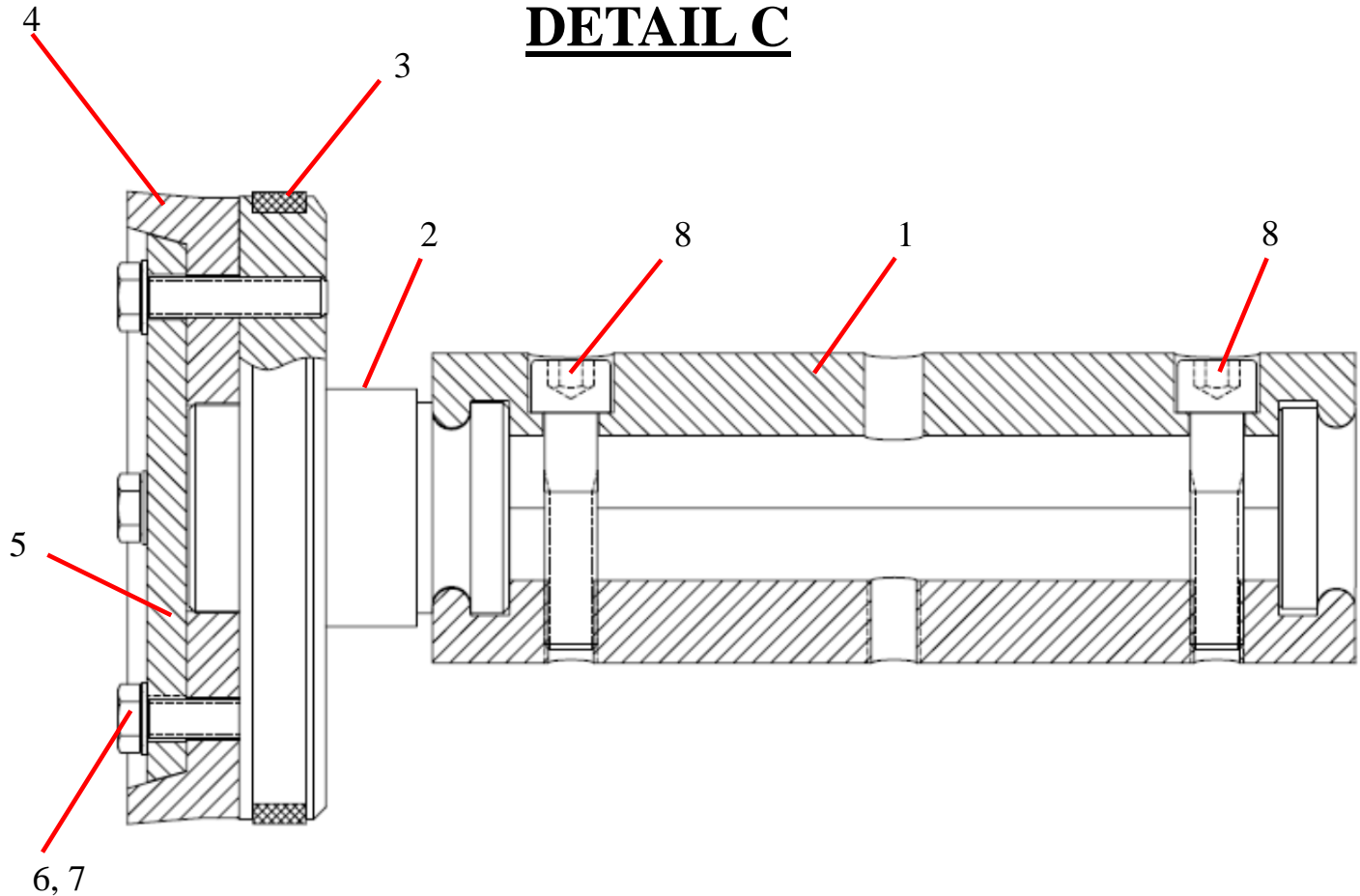
#### DETAIL B



ID #	PART #	PART DESCRIPTION	QUANTITY	
1	86037	O-RING, #264 BUENA 70	2	EA
2	74988	WEAR PLATE BOLT KIT	1	EA
3		FHCS, 3/4" - 10X 3 1/2" (3 EA), 4 1/2" (1 EA)	4	EA
4	80008	HEX NUT, 3/4" - 10	4	EA
5	80010	LOCK WASHER, 3/4"	4	EA
6	86824	FLATWASHER, 3/4"	4	EA
7	85975	WEAR RING, SINGLE LIP 7"	1	EA
8	85970	WEAR PLATE, 7"	1	EA
9	85977	CHIP RING, 7"	2	EA
10	85974	SEAL, SINGLE LIP, 7"	1	EA
11	86502	LOCATOR RING - FLANGE BEARING	1	EA

## 7" PISTON CUP ASSEMBLY

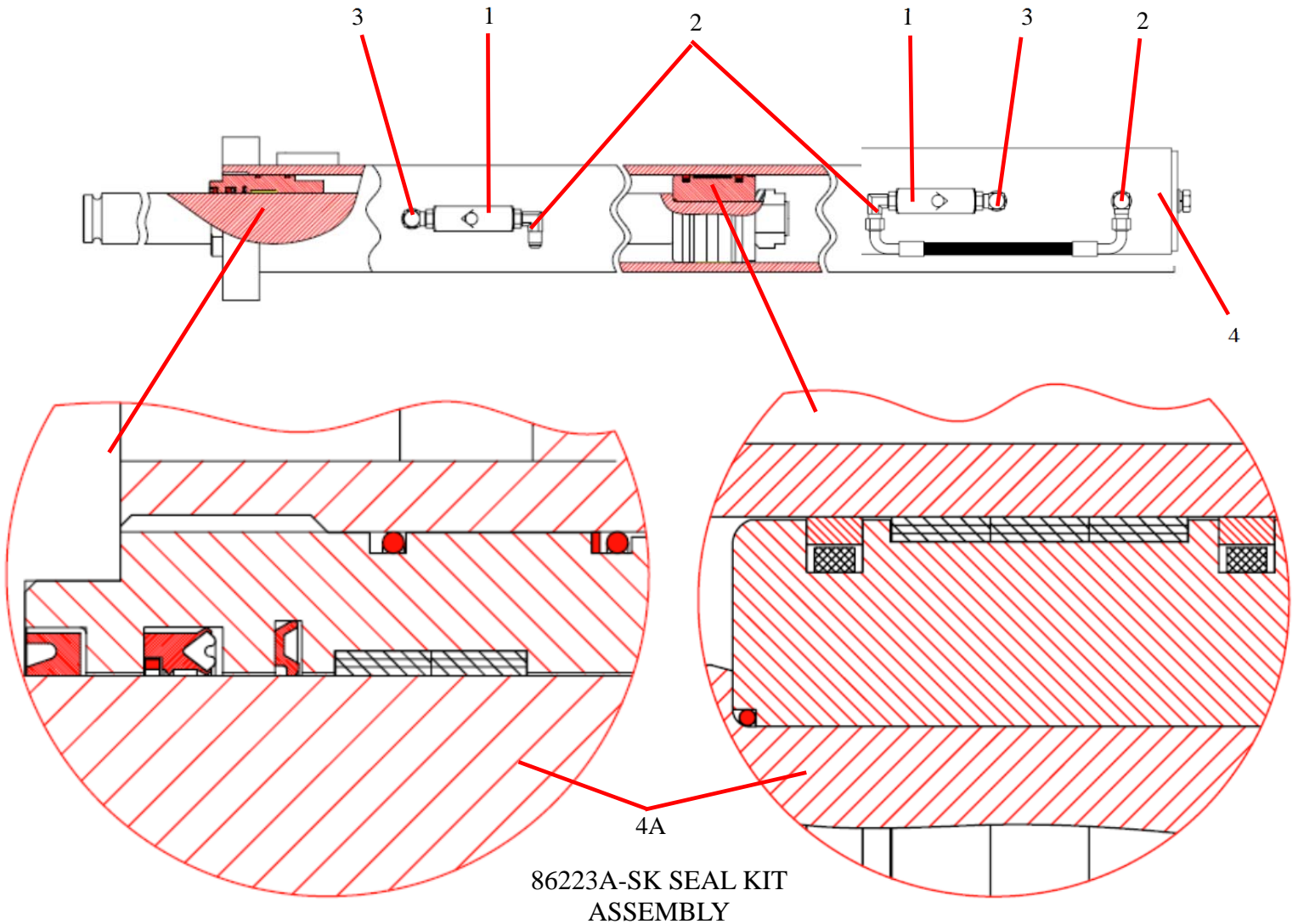
### DETAIL C



ID #	PART #	PART DESCRIPTION	QUANTITY	
1	86101	PISTON COUPLING, 8.06 LONG	1	EA
2	77055	PISTON-CONC. ADAPTER 7"	1	EA
3	77056	WEAR RING(GUIDE BAND) 7"	1	EA
4	70504	PISTON CUP, 7 IN	1	EA
5	70505	PISTON PLATE 7 INCH	1	EA
6		HHCS, 3/8 - 16X1" GR 8	4	EA
7		LOCK WASHER 3/8	4	EA
8		SHCS 1/2 - 13 X 2 1/4"	2	EA



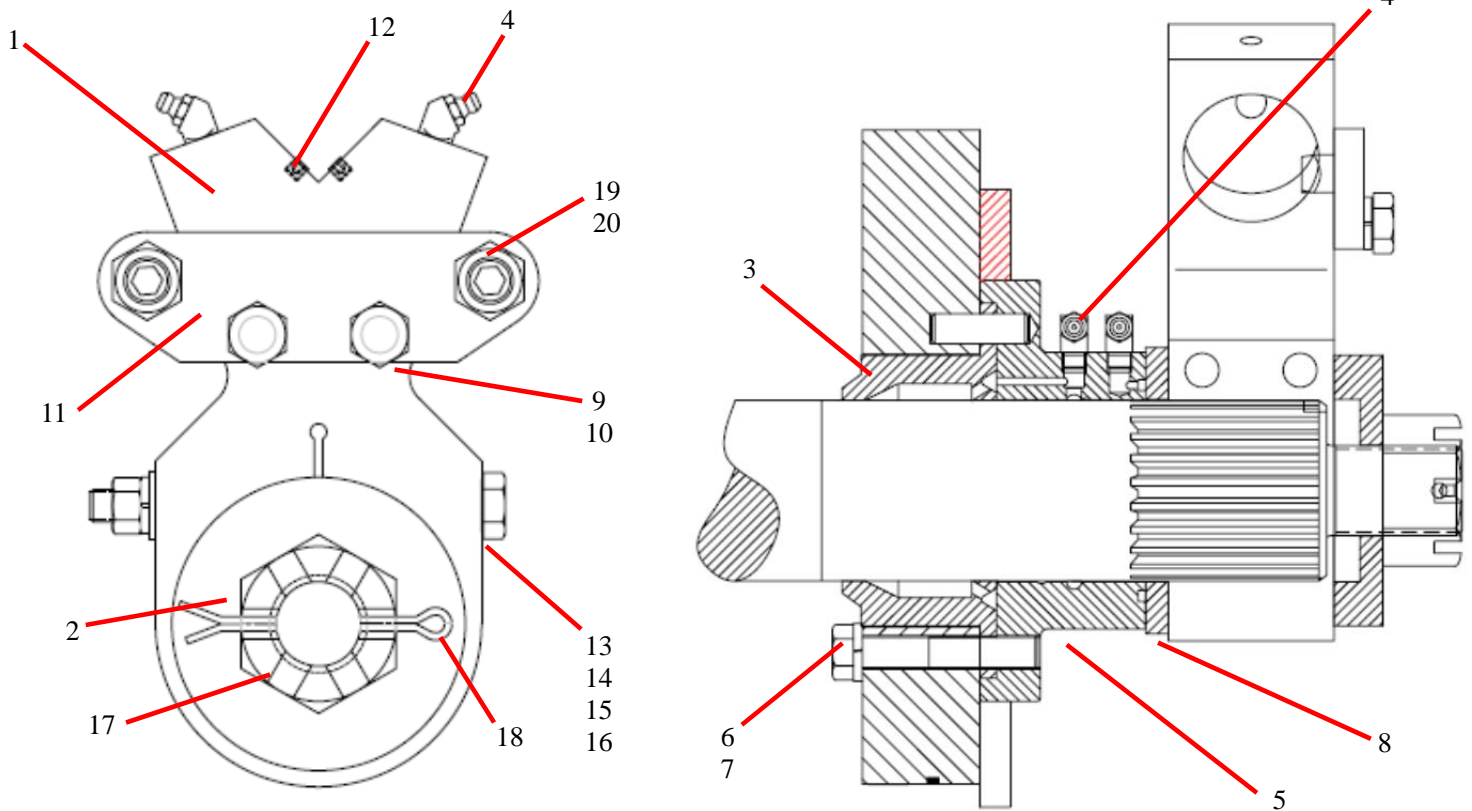
### DRIVE CYLINDER ASSEMBLY



ID #	PART #	PART DESCRIPTION	QUANTITY	
	86304-2	HYD CYLINDER GROUP	REF	
1	78961	CHECK VALVE-5K PSI O-RING	2	EA
2	86748	FITTING-MB-MJ90-6-6	4	EA
3		ELBOW, MB-MB90-6-6	2	EA
4	86223HT	HYDRAULIC CYLINDER 3.50 X 2.00 X 35.75	1	EA
4A	86223A-SK	SEAL KIT	1	EA

### DUAL SHIFT BELL CRANK ASSEMBLY

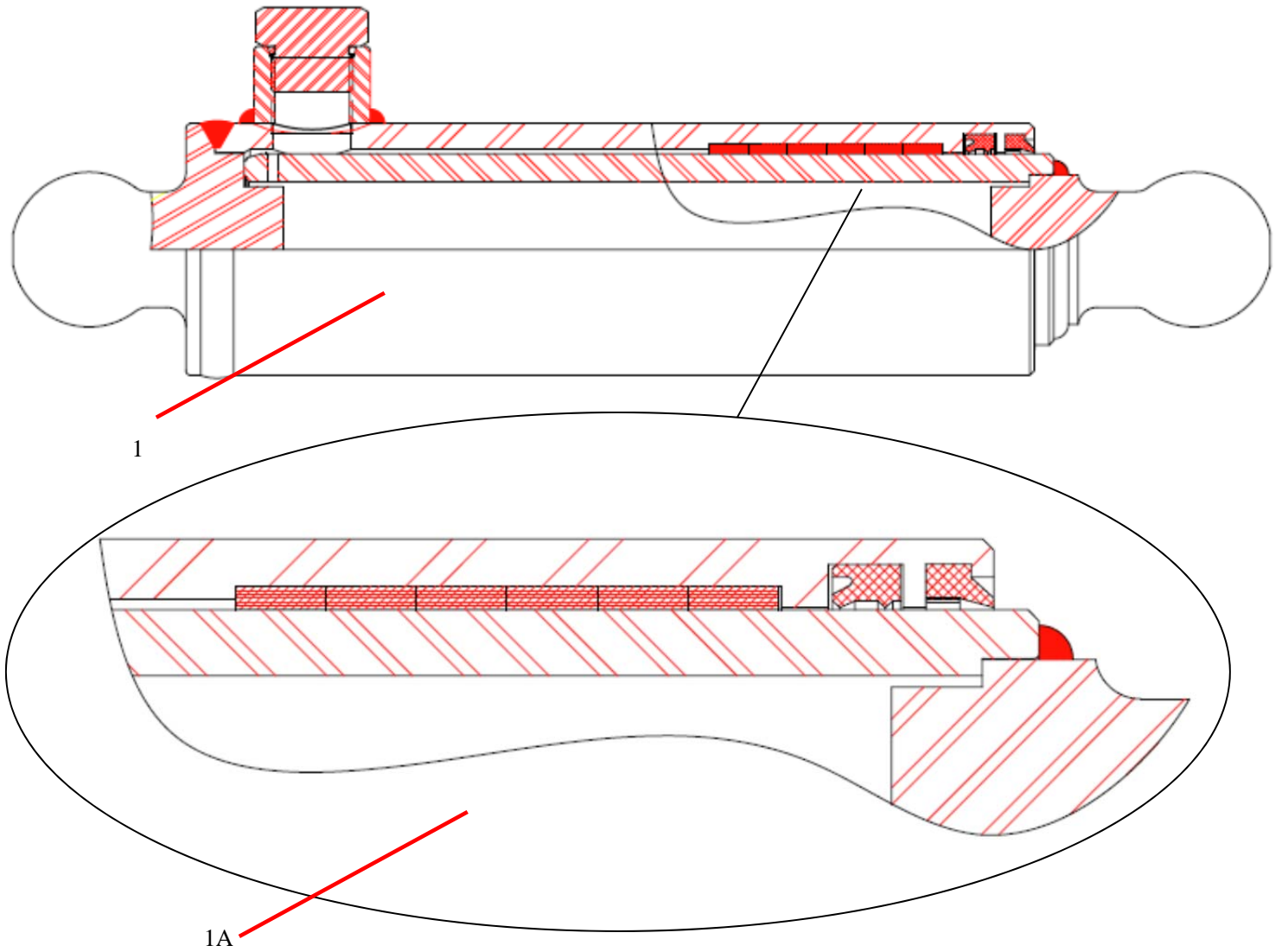
## DETAIL E



ID #	PART #	PART DESCRIPTION	QUANTITY	
	86320-3	S-TUBE SHIFT GROUP, DUAL	REF	
1	85956	BELL CRANK, 3" SPLINE, DUAL	1	EA
2	86985	SPACER, S-TUBE NUT	1	EA
3	85962	SEAL, FLANGE BEARING	1	EA
4		GREASE FITTING, 1/8" NPT	4	EA
5	85133	FLANGED BEARING	1	EA
6		HHCS, 9/16 - 12X3" GR 8	4	EA
7		LOCK WASHER, 9/16"	4	EA
8	85294	THRUST WASHER, S -TUBE	1	EA
9		HHCS, 1/2-13X1 1/4" GR 8	2	EA
10	86574	LOCKWASHER, 1/2"	2	EA
11	86282	RETAINER - SHIFT CYLINDER	1	EA
12	74679-1	PIPE PLUG 1/4" NPT-MODIFIED	2	EA
13		HHCS, 1/2-13X6 1/4" GR 8	2	EA
14		FLAT WASHER 1/2"	4	EA
15	86754	LOCK WASHER 1/2"	2	EA
16	80004	HEX NUT, 1/2"-13	2	EA
17	87012	NUT 2" -12 CASTLE GRADE 5	2	EA
18		COTTER PIN, 1/4X4"	1	EA
19	86283	SET SCREW-5/8-11X2.00" CUP POINT	1	EA
20	80005	NUT HEX-5/8-11 UNC USS RH THREAD	1	EA

## DUAL SHIFT CYLINDER ASSEMBLY

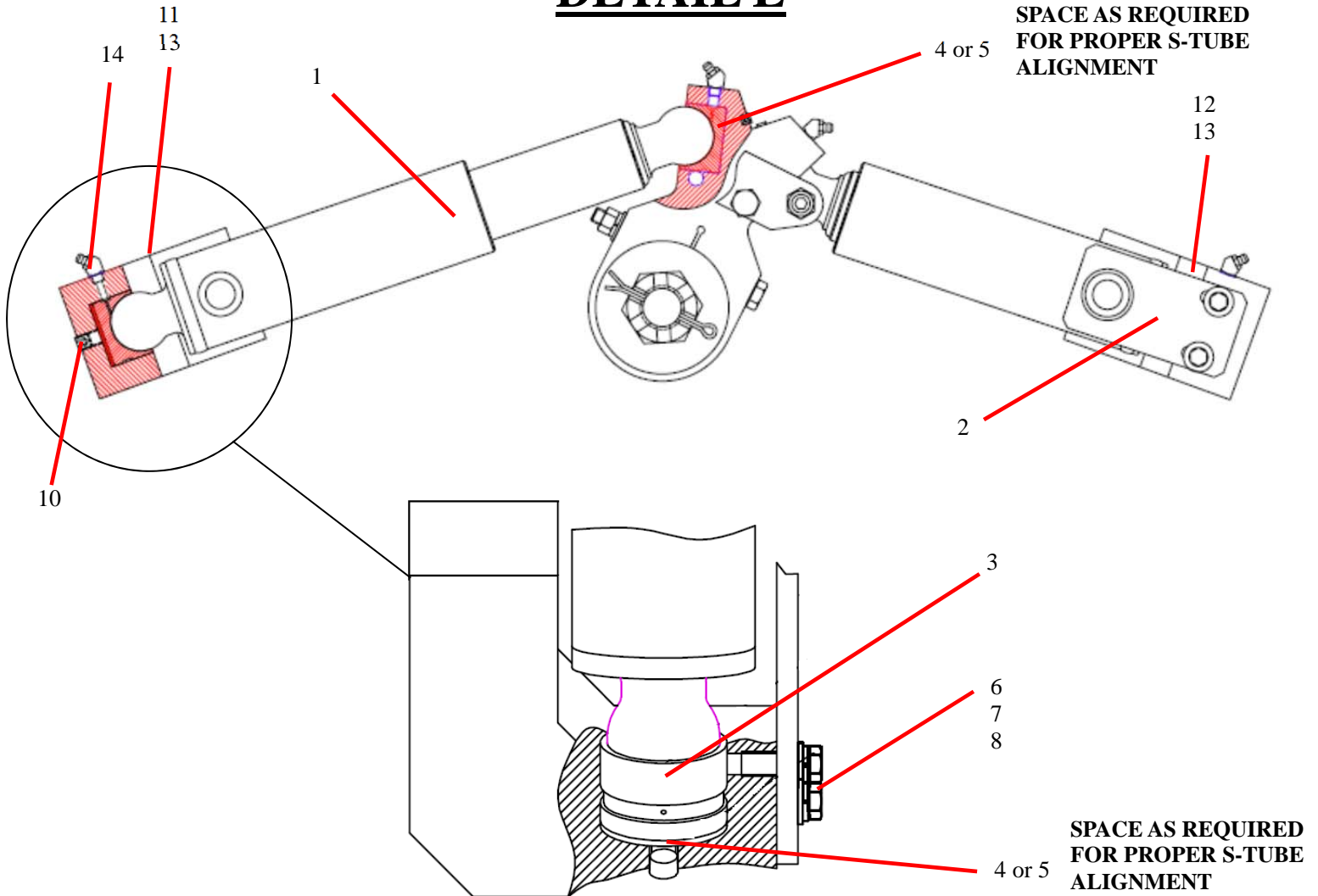
### DETAIL E



ID #	PART #	PART DESCRIPTION	QUANTITY	
1	86220HT	SWING RAM-DUAL-2.50 X 5.75	2	EA
1A	86220A-SK	SEAL KIT	2	EA

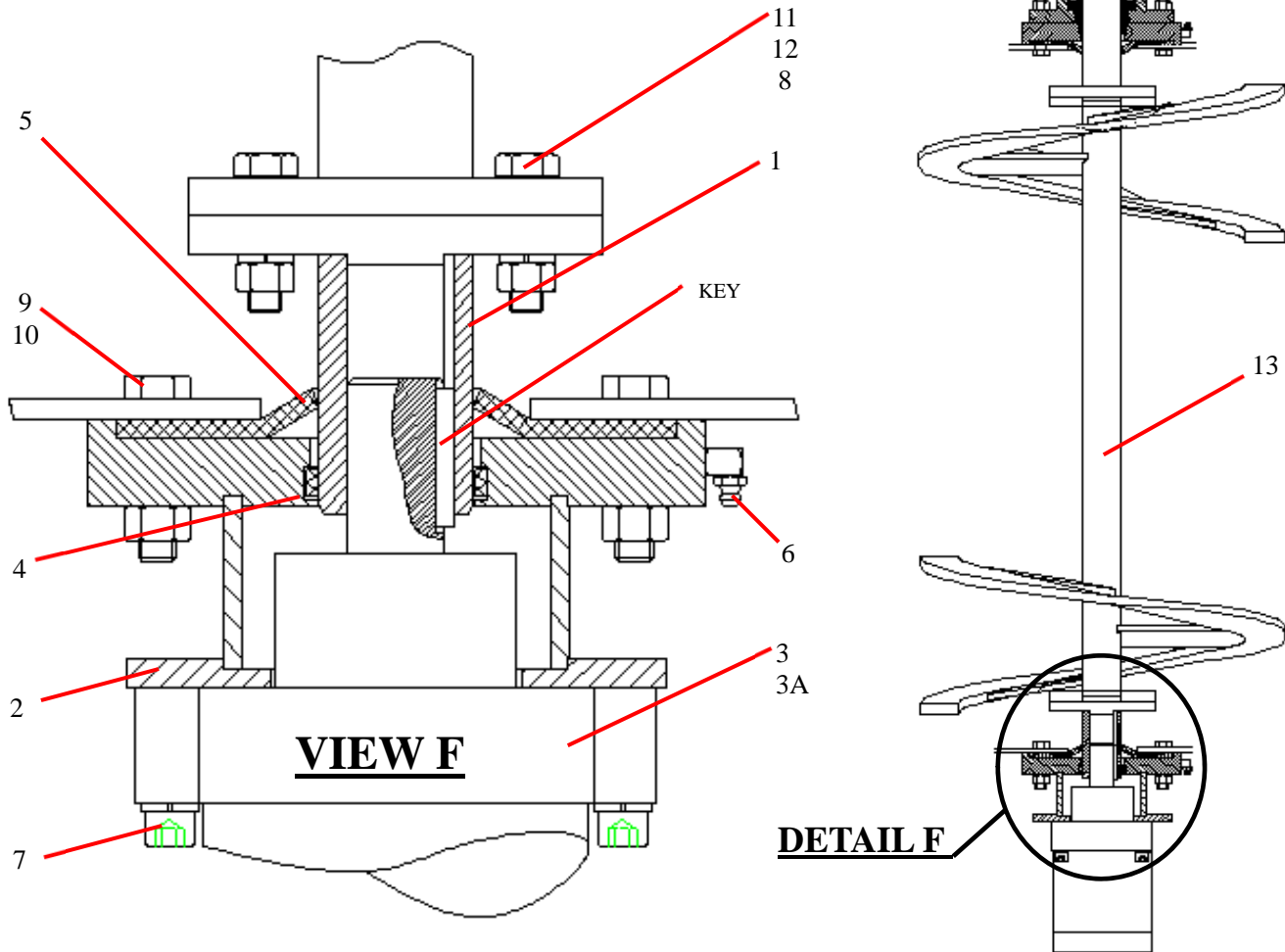
### DUAL SHIFT ASSEMBLY

## DETAIL E



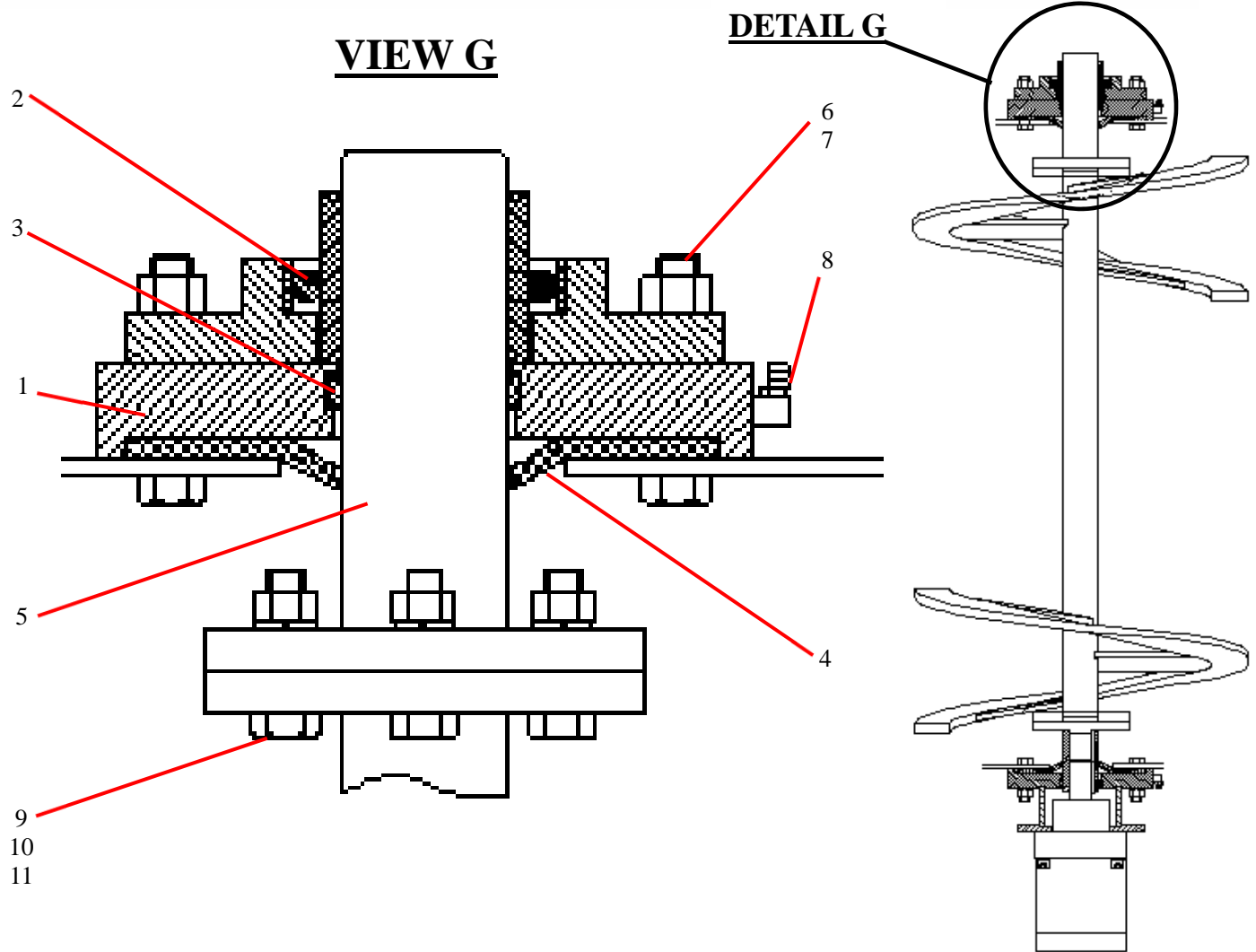
ID #	PART #	PART DESCRIPTION	QUANTITY	
1	86220HT	SWING RAM – 2.5 X 5.75	REF	
2	86441	RETAINER, SWING RAM	2	EA
3	76798-1	BALL SOCKET, NYLON	4	EA
4	75501	SPACER 1/8"	A/R	EA
5	75502	SPACER 1/16"	A/R	EA
6		HHCS, 3/8-24X1 1/4" GR8	4	EA
7		WASHER, 3/8"	4	EA
8	80072	LOCK WASHER, 3/8"	4	EA
10	74679	PLUG 1/4"NPT SOCKET HEAD	2	EA
11	85941	HOUSING,RH SWING RAM	1	EA
12	85942	HOUSING, LH SWING RAM	1	EA
13	86052	DOWEL PIN, 1/2" DIA X 2"	4	EA
14		GREASE FITTING, 1/8" NPT	2	EA

### HOPPER AGITATOR ASSEMBLY



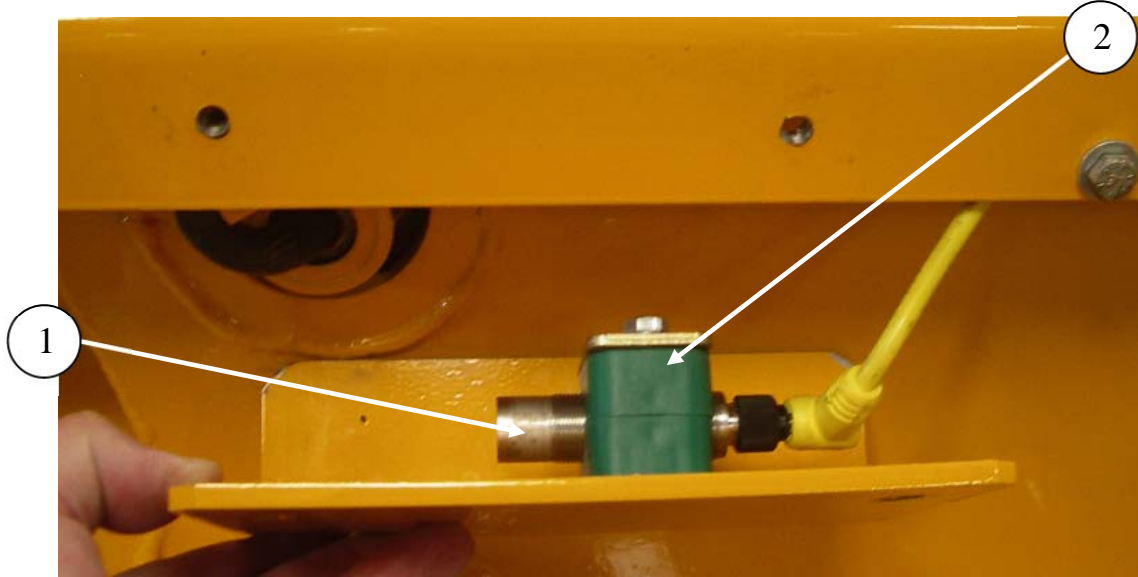
ID #	PART #	PART DESCRIPTION	QUANTITY	
	86323	AGITATOR ASSEMBLY	REF	
1	86062	DRIVE SHAFT, AGITATOR	1	EA
2	86070	FLANGE WELDMENT, AGITATOR MOTOR	1	EA
3	85809	HYD MOTOR, 45.6 CID, 1.25" SHAFT	1	EA
3A	85809SK	SEAL KIT	1	EA
4	86074	POLYSEAL, 2.00 ID X 2.50 OD X .375	1	EA
5	77512	SEAL-AUGER (BEARING SIDE)	2	EA
6		GREASE FITTING, 1/8" NPT 90°	1	EA
7		SHCS, 1/2"-13 X 2 1/4" GR8	4	EA
8		LOCKWASHER 1/2"	7	EA
9		HHCS, 1/2" - 13 X 2 1/4" GR8	4	EA
10		LOCKNUT, 1/2" -13	4	EA
11		HHCS, 1/2" - 13 X 1 3/4" GR8	3	EA
12		HEX NUT, 1/2" X 13	3	EA
13	86087	AGITATOR, WELMENT	1	EA

### AGITATOR ASSEMBLY CONTINUED



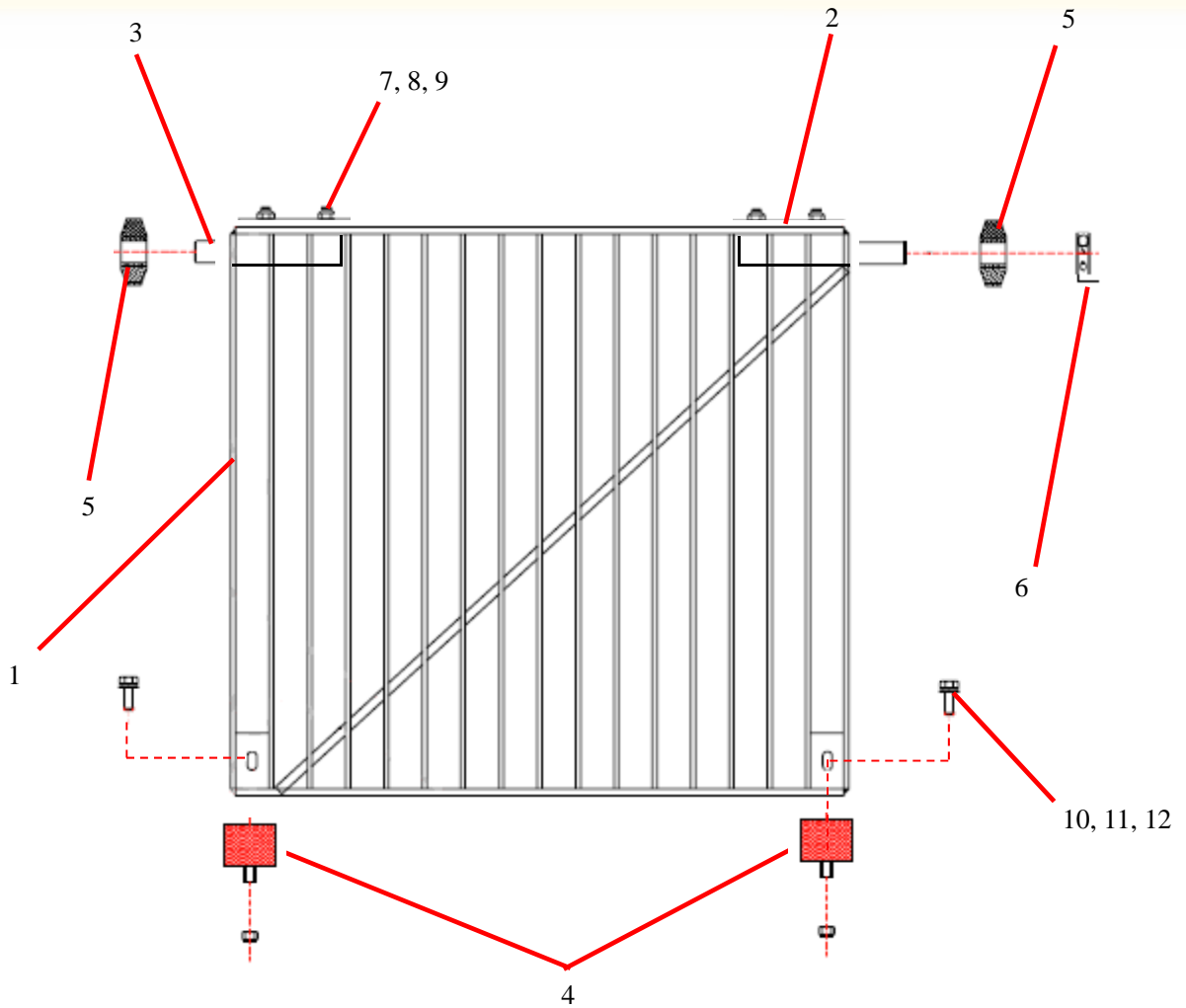
ID #	PART #	PART DESCRIPTION	QUANTITY	
1	86069	FLANGE, AGITATOR BEARING	1	EA
2	86067	FLANGE BEARING	1	EA
3	86074	POLYSEAL, 2.00 ID X 2.50 OD	1	EA
4	77512	SEAL-AUGER, AGITATOR	1	EA
5	86066	IDLER SHAFT, AGITATOR	1	EA
6		HHCS, 1/2"-13X3" GR8	4	EA
7		LOCKNUT, 1/2"-13	4	EA
8		GREASE FITTING, 1/8" NPT 90°	1	EA
9		HHCS, 1/2"-13X13/4" GR 8	3	EA
10		HEX NUT, 1/2"-13	3	EA
11		LOCK NUT 1/2"-13	3	EA

### SAFETY GRATE



ID #	PART #	PART DESCRIPTION	QUANTITY	
1	87369	PROXIMITY SENSOR PNP HOPPER GRATE	1	EA
2	801902-006	CLAMP,18MM TUBE CLAMP SET	1	EA
3	87997	COVER WELD PROX SWITCH HOPPER	1	EA

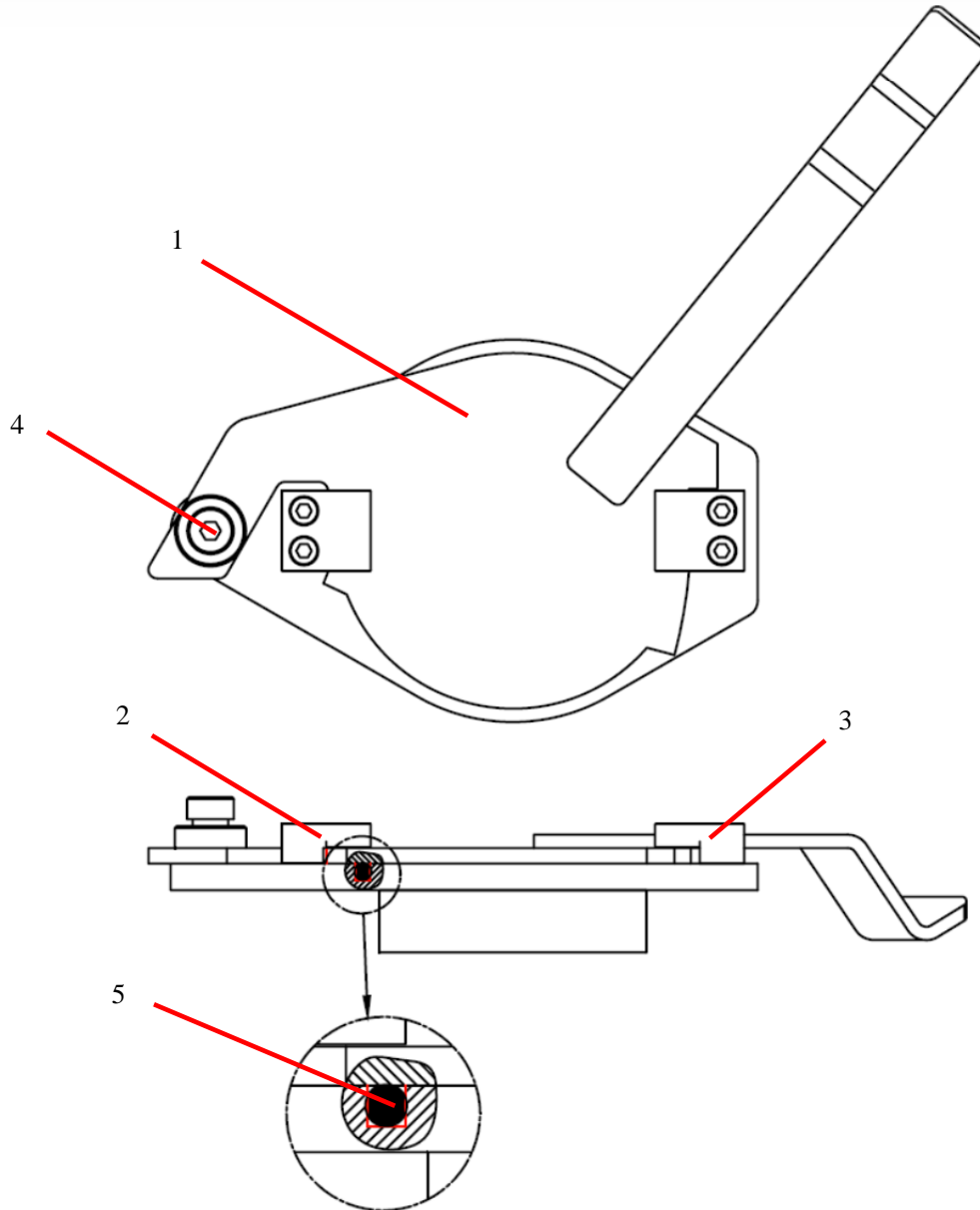
### GRATE ASSEMBLY



ID #	PART #	PART DESCRIPTION	QUANTITY	
1	87958	GRATE WELDMENT,	1	EA
2	87956	PIN WELDMENT LONG,	1	EA
3	87957	PIN WELDMENT SHORT,	1	EA
4	86083	BUMPER, HOPPER GRATE	2	EA
5	W102490	RUBBER BUFFER 65X22.5X26	2	EA
6	87769	COLLAR SHAFT, 7/8" DIA	1	EA
7		3/8"-16 X 1 1/4" HEX BOLT	4	EA
8		3/8 FLAT WASHER	8	EA
9		3/8-16 LOCK NUT	4	EA
10		3/8"-16 X 1" HEX BOLT	2	EA
11		3/8" FLAT WASHER	2	EA
12		3/8" LOCK WASHER	2	EA



### CLEAN OUT DOOR ASSEMBLY



ID #	PART #	PART DESCRIPTION	QUANTITY	
1	86988	DOOR WELDMENT, CLEAN OUT	1	EA
2	86559	BLOCK, CLEAN OUT DOOR, LH	1	EA
3	86560	BLOCK, CLEAN OUT DOOR, RH	1	EA
4	86922	SHOULDER SCREW 1" DIA-1 1/4"	1	EA
5	W102908A	O-RING CORD, HOPPER DOOR	2.21	FT



# B70HPD PLC

PARTS

13822 Oaks Avenue  
Chino, CA 91710  
reedpumps.com  
(909) 287 - 2100

---

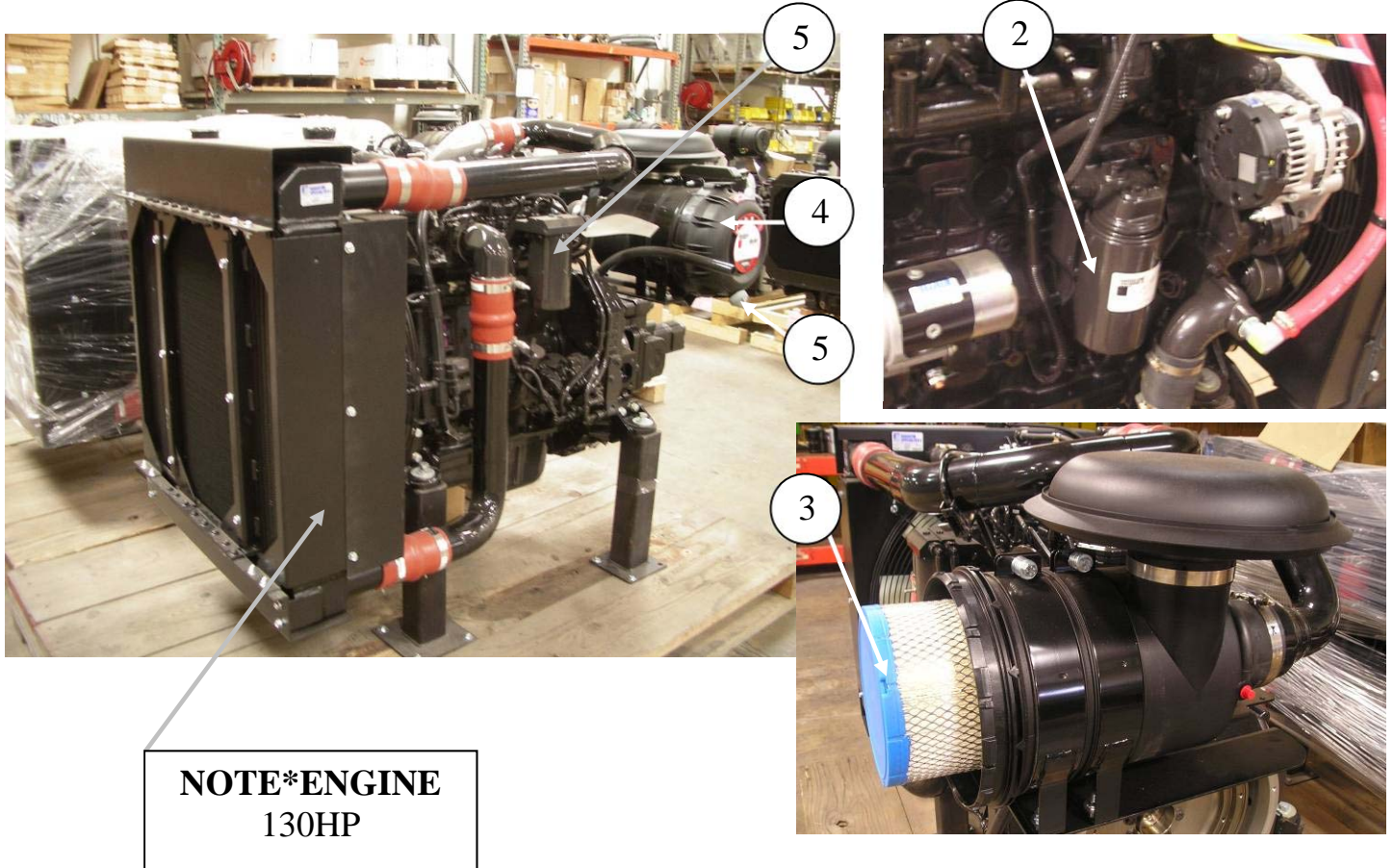
LEFT BLANK



### POWER TRAIN GROUP

#### B70HPD-88015 TIER-3

#### ENGINE, PUMPS, AND FILTER



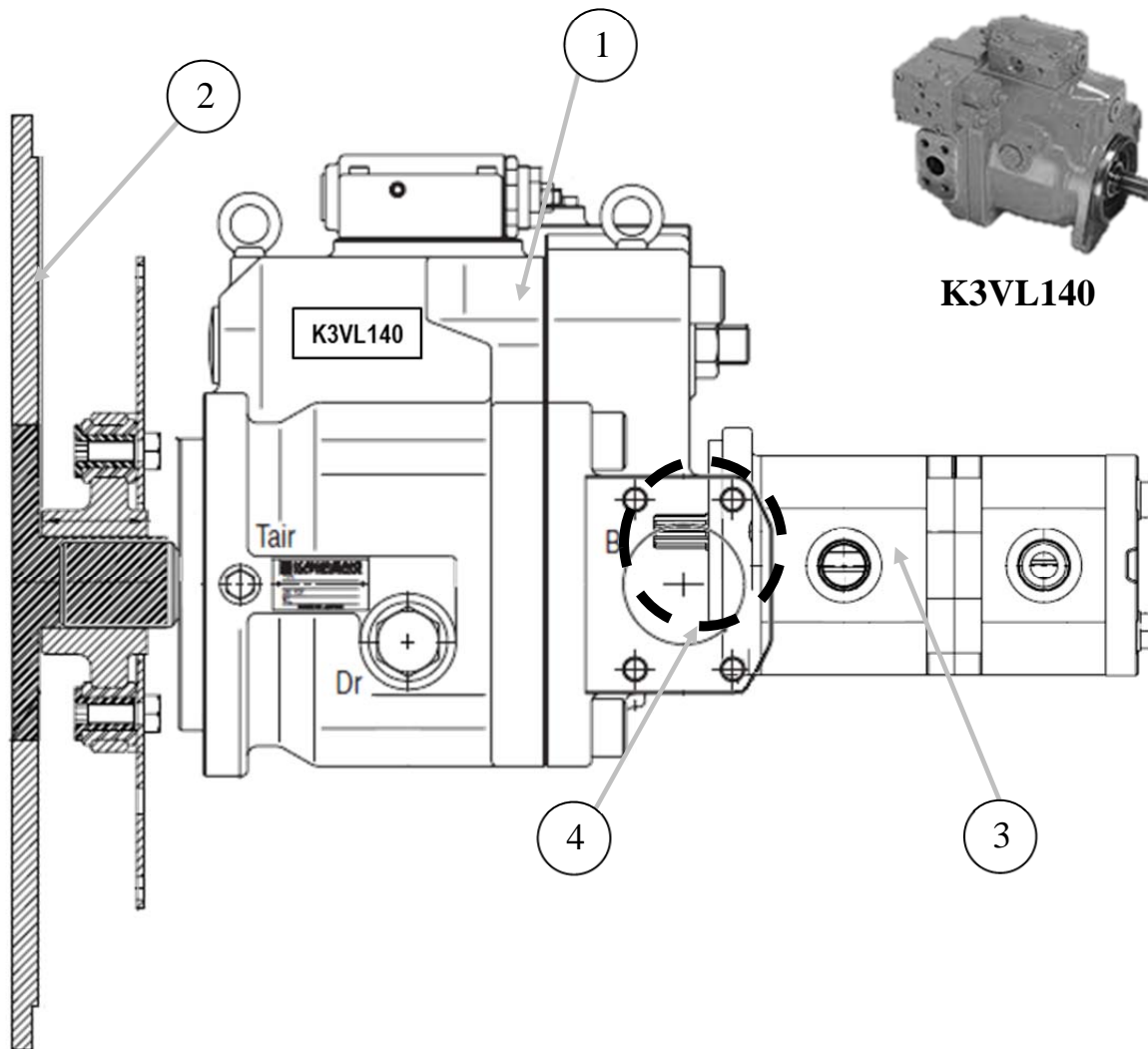
**NOTE\*ENGINE**  
 130HP

ID #	PART #	PART DESCRIPTION	QUANTITY	
	88015	POWER TRN GR B50HP/B70 KAW/CUM 130	REF	
	88014	POWER TRN ASSY B50HP/B70 KAW/CUM 130	REF	
130HP	87724	ENGINE QSB4.5 130HP. CUMMINS	1	EA
1	87725-002	FUEL FILTER (SPARE)	1	EA
2	87725-001	OIL FILTER (SPARE)	1	EA
3	87725-010	AIR FILTER ELEMENT (SPARE)	1	EA
4	87725-014	AIR FILTER HOUSING ASSEMBLY (SPARE)	1	EA
5	87725-015	AIR FILTER HOUSING COVER, DUST EJECTION (SPARE)	1	EA

### MAIN HYDRAULIC PUMP GEAR PUMP/PUMP DRIVE

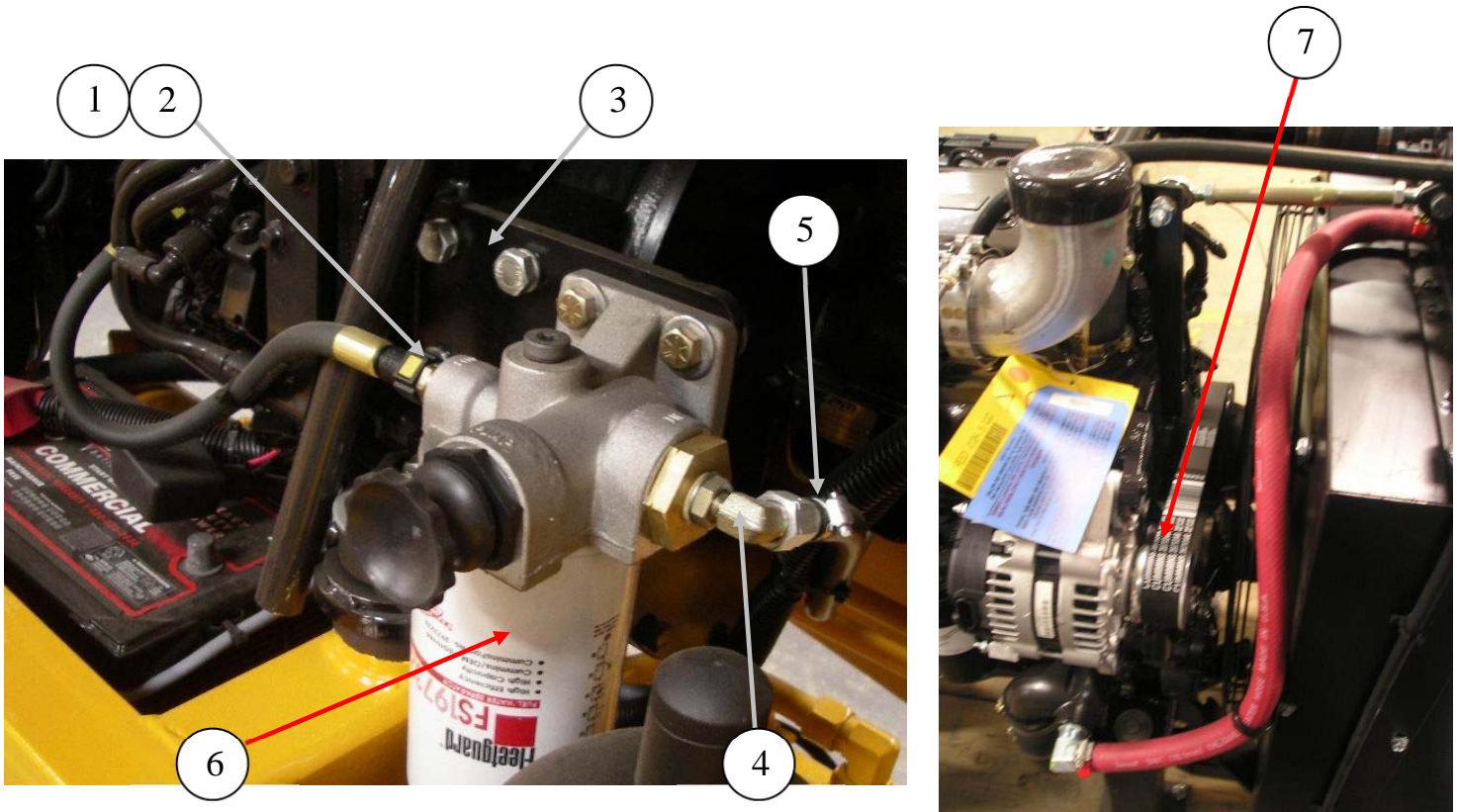


**K3VL140**



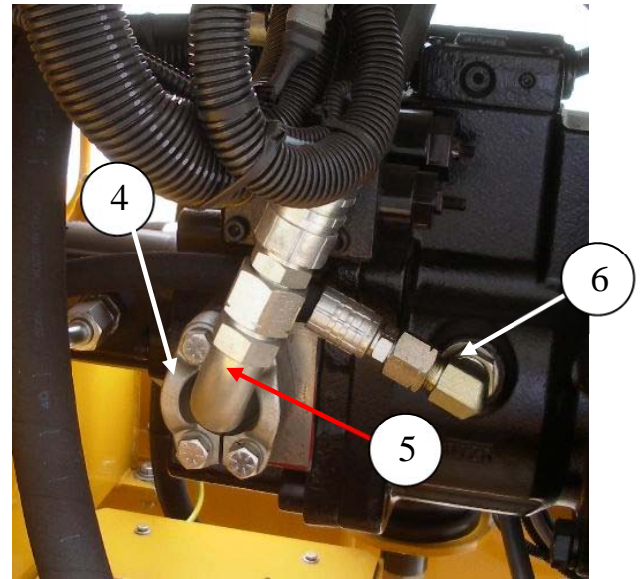
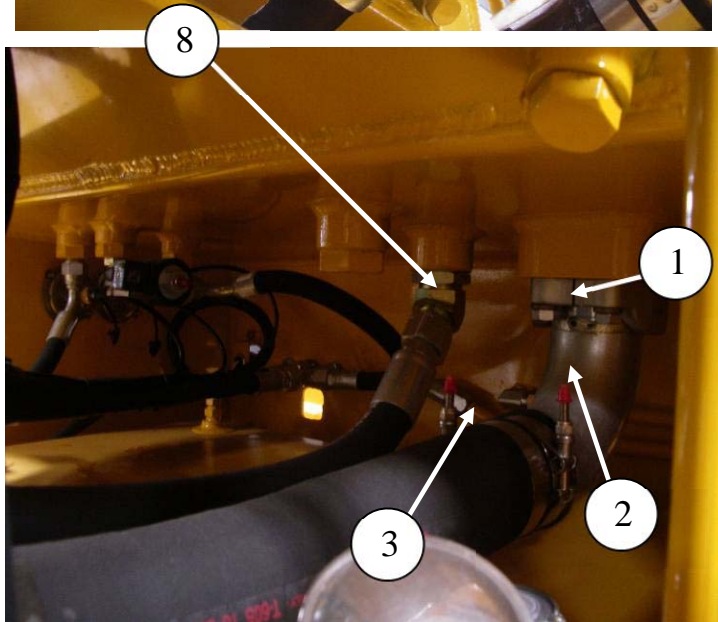
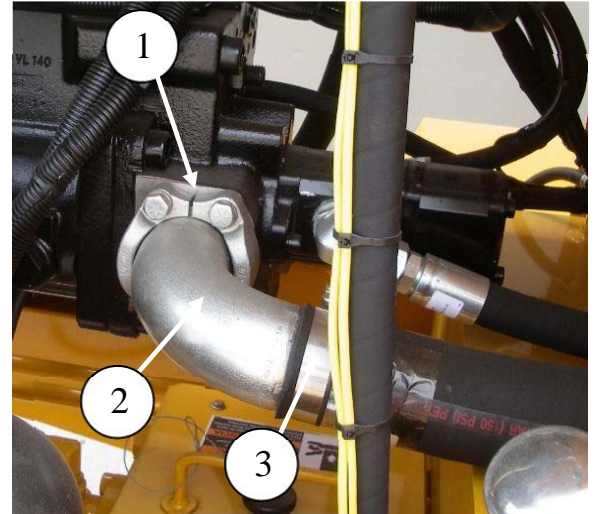
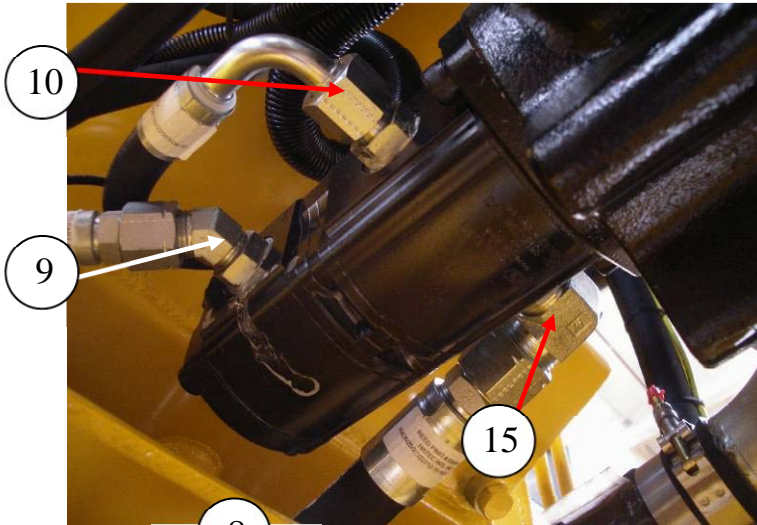
ID #	PART #	PART DESCRIPTION	QUANTITY	
1	87723	PUMP, 140CC, KAWASAKI,	1	EA
2	87360	PUMP DRIVE -SAE 3 - SAE D	1	EA
3	87571-1	GEAR PUMP BOSCH 23/11.3 CC RH, A-PAD SPL	1	EA
4	88174	O-RING	1	EA

### ENGINE, PUMPS, AND FILTERS CONTINUED



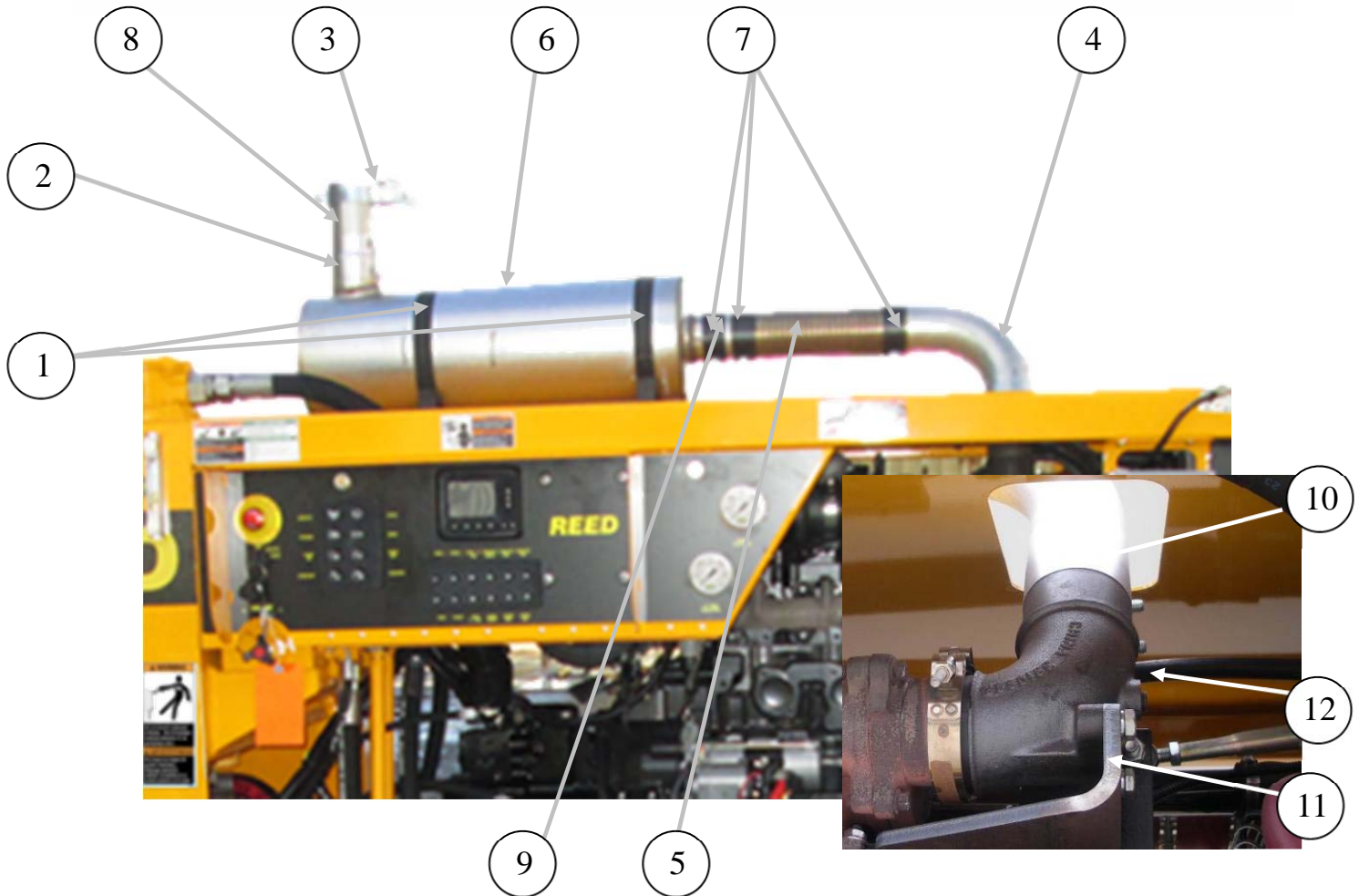
ID #	PART #	PART DESCRIPTION	QUANTITY	
1	88036	FITTING FUEL LINE, QUICK DISCONNECT	1	EA
2	88037	WASHER SEALING FOR 88036 FITTING	1	EA
3	87793	MOUNT FUEL FILTER, B SER CUMMINS	1	EA
4	87567	FITTING 90DEG METRIC TO JIC	2	EA
5	87566	FITTING BARBED JIC-STEM, 3/8-3/8	2	EA
6	87725-003	FUEL/WATER SEPARATOR REPLACEMENT (SPARE)	1	EA
7	87725-005	FAN BELT (SPARE)	1	EA

### FITTINGS



ID #	PART #	PART DESCRIPTION	QUANTITY	
1	86264-007	SPLIT FLANGE-CODE 61- 40 SAE	2	EA
2	86911-009	STEM, 2 ½" 90 DEG, 40GL-40FL90	1	EA
3	79803	CLAMP - T-BOLT - 3.00 DIA	4	EA
4	86265-003	SPLIT FLANGE-CODE 62- 20 SAE	2	EA
5	86912-006	FLANGE, FLH6K-MJ90-20-16	1	EA
6		ADAPTOR, MB-MJ-90-12-10	1	EA
7	86728-023	ADAPTOR, MB-MJ-20-16	1	EA
8	87754-020	ELBOW, MB-MJ45-20-16	1	EA
9		MB-MJ-45-10	1	EA
10	86900-017	MB-MJ0-10-10	1	EA

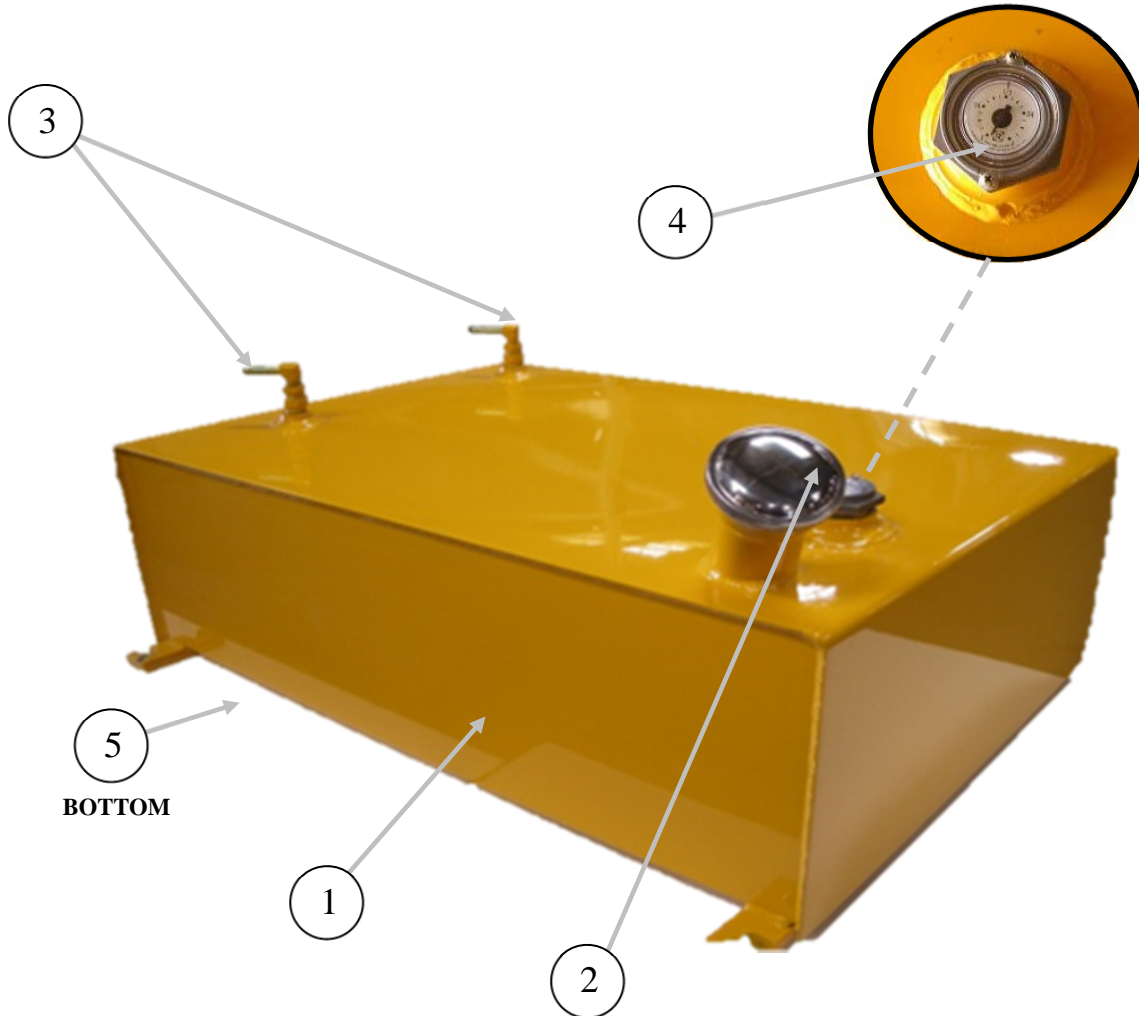
### EXHAUST



ID #	PART #	PART DESCRIPTION	QUANTITY	
1	87199	MOUNTING BAND, 8.5" DIA	2	EA
2	87198	CLAMP, TORCTITE, 3"	1	EA
3	73475	RAIN CAP 3"	1	EA
4	86648	EXHAUST ELBOW 3"	1	EA
5	87579	EXHAUST FLEX TUBE, 3" 12" LONG	1	EA
6	87792	MUFFLER B SER CUMMINS	1	EA
7	87578	EXHAUST CLAMP, BENT BOLT 3"	3	EA
8	87465	TUBE EXHAUST, B SERIES, LONG	1	EA
9	87878	TUBE EXHAUST, B SERIES, SHORT	1	EA
10	88013	CLAMP EXHAUST 3" TORCTITE	1	EA
11	88016	BRACKET 4 CYL CUMMINS EXHAUST	1	EA
12	74679	PLUG 1/4" NPT SOCKET HEAD	1	EA

### TANKS

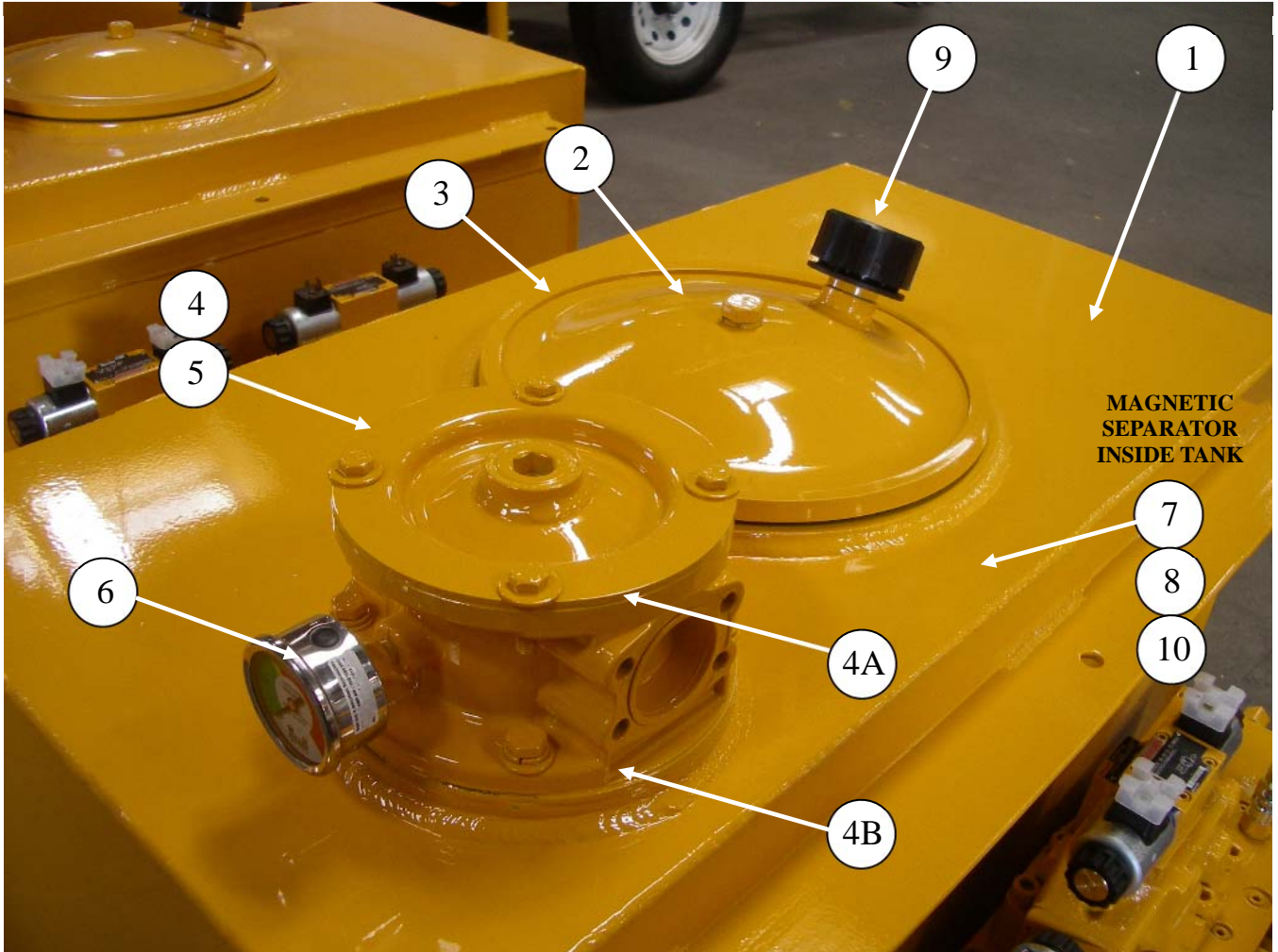
### FUEL TANK ASSEMBLY



ID #	PART #	PART DESCRIPTION	QUANTITY	
	88550	FUEL TANK ASSY B-SERIES	REF	
1	88268	FUEL TANK WELDMENT, B-SERIES	1	EA
2	85570	FUEL CAP, 1 1/2 IN VENTED	1	EA
3	85362	TUBE, FUEL PICKUP, B-SERIES	2	EA
4	85569	FUEL GAUGE, 9 IN	1	EA
5	10297	PLUG-GALV 1/2"	1	EA

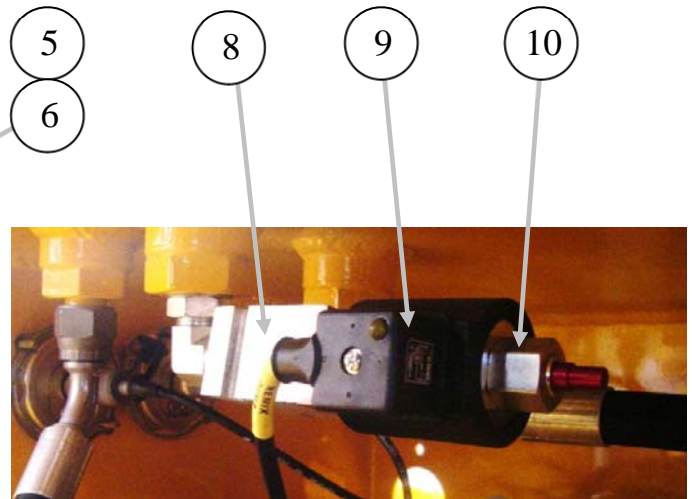
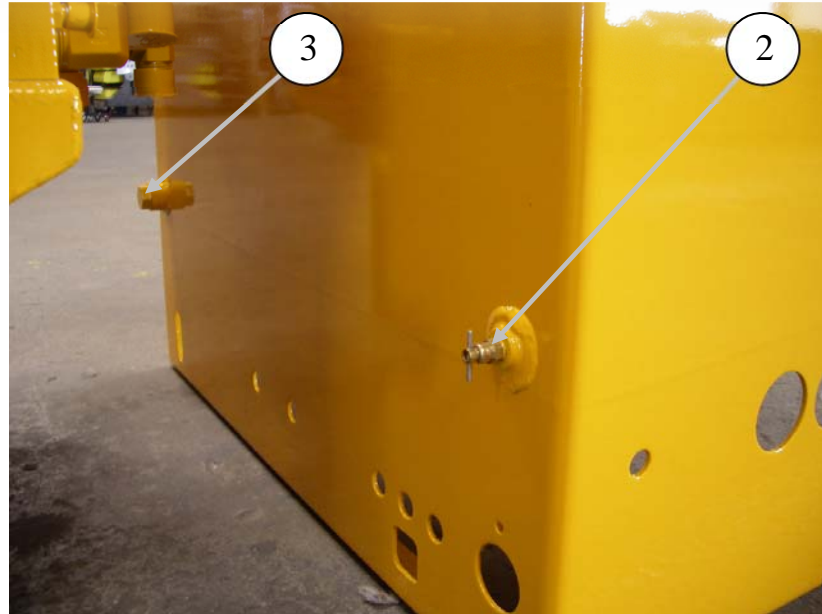


### HYDRAULIC TANK ASSEMBLY



ID #	PART #	PART DESCRIPTION	QUANTITY	
	85361	HYD TANK ASSY B-SERIES	REF	
1	85102	HYDRAULIC TANK WELDMENT, B-SERIES	1	EA
2	85529	ENDCOVER KIT, 12 IN W/DRAIN	1	EA
3	85867	GASKET- END COVER 12"	1	EA
4	85282	FILTER, RETURN, TANK MOUNTED	1	EA
4A	BW10241	SEAL KIT FOR 85282 FILTER RETURN	1	EA
4B	85282-G	GASKET-CORK	1	EA
5	85283	FILTER ELEMENT, PN 85282 FILTER	1	EA
6	85575	GAUGE, PN 85282 RETURN FILTER	1	EA
7	79247	MAGNETIC SEPERATOR 1 ¼ " NPT	1	EA
8	800230	MAGNETIC SEPARATOR,3"NPT	1	EA
9	85537	FILLER BREATHER, 3/4 NPT	1	EA
10	10265	NIPPLE-CLOSE 1 ¼ NPT SCH 40 GALV	1	EA

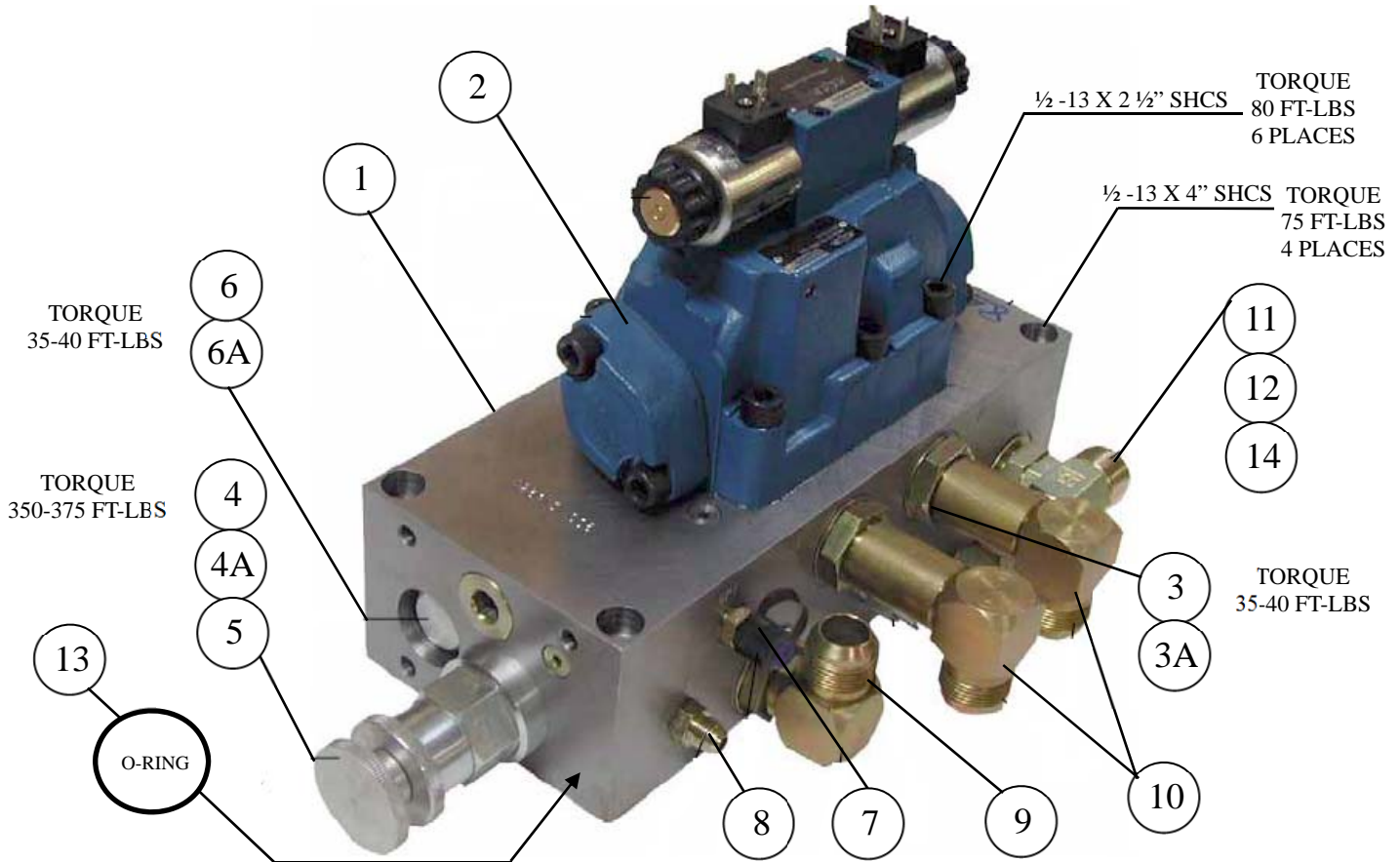
### HYDRAULIC TANK ASSEMBLY CONTINUED



ID #	PART #	PART DESCRIPTION	QUANTITY	
1	74509	GAUGE-SIGHT/TEMPERATURE	1	EA
2	801025	DRAIN COCK, 1/4 NPT	1	EA
3	BG-12	3/4" SAE PLUG	1	EA
4	70366	PRESSURE GAUGE, 3000 PSI/BAR	1	EA
5	74562	PRESSURE GAUGE, 6000 PSI/BAR	1	EA
6	78594	MINICHECK GAUGE ADAPTOR, 1/4 NPT	2	EA
7		HOFFMAN PLUG	1	A/R
8	87154	SOLENOID VALVE ASSY (REMIX-DUMP)	1	EA
9	87155	COIL	1	A/R
10	87155-C	CARTRIDGE	1	A/R

### MANIFOLDS

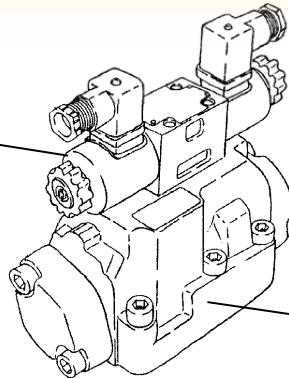
## DRIVE CYLINDER CIRCUIT MANIFOLD ASSEMBLY



ID #	PART #	PART DESCRIPTION	QUANTITY	
	85248	MANIFOLD, CYLINDER CIRCUIT ASSEMBLY	REF	
1	86820	MANIFOLD, MACHINED CYLINDER CIRCUIT	1	EA
2	85689	SOLENOID VALVE, DRIVE CYLINDER	1	EA
3	85696	RELIEF VALVE CARTRIDGE	1	EA
3A	85696-SK	SEAL KIT		
4	85697	FLOW CONTROL CARTRIDGE	1	EA
4A	85697-SK	SEAL KIT		
5	86947	KNOB KIT, ALUMINUM	1	EA
6	85698	CHECK VALVE CARTRIDGE	1	EA
6A	85698-SK	SEAL KIT		
7	78593	MINICHECK ADAPTOR, SAE 4	1	EA
8	86900-002	ADAPTOR, MB-MJ-4-6	1	EA
9	86728-023	ELBOW, MB-MJ45-16-16	1	EA
10	86904-012	ELBOW, MB-MJ90LL-16-16	2	EA
11	86945-001	TEE, MJ-MB-MJT-16	1	EA
12	86905-016	ELBOW, MJ-FJX90-16-16	1	EA
13	86946	O-RING #230 BUNA 90DUR	1	EA
14	86948-001	REDUCER, JIC MJ-FJ-10-16	1	EA

**DRIVE CYLINDER CIRCUIT MANIFOLD ASSEMBLY CONT.**

DRIVE CYLINDER  
PILOT SOLENOID  
VALVE



DRIVE CYLINDER VALVE  
ASSEMBLY COMPLETE  
**85689**

DRIVE CYLINDER  
MAIN VALVE

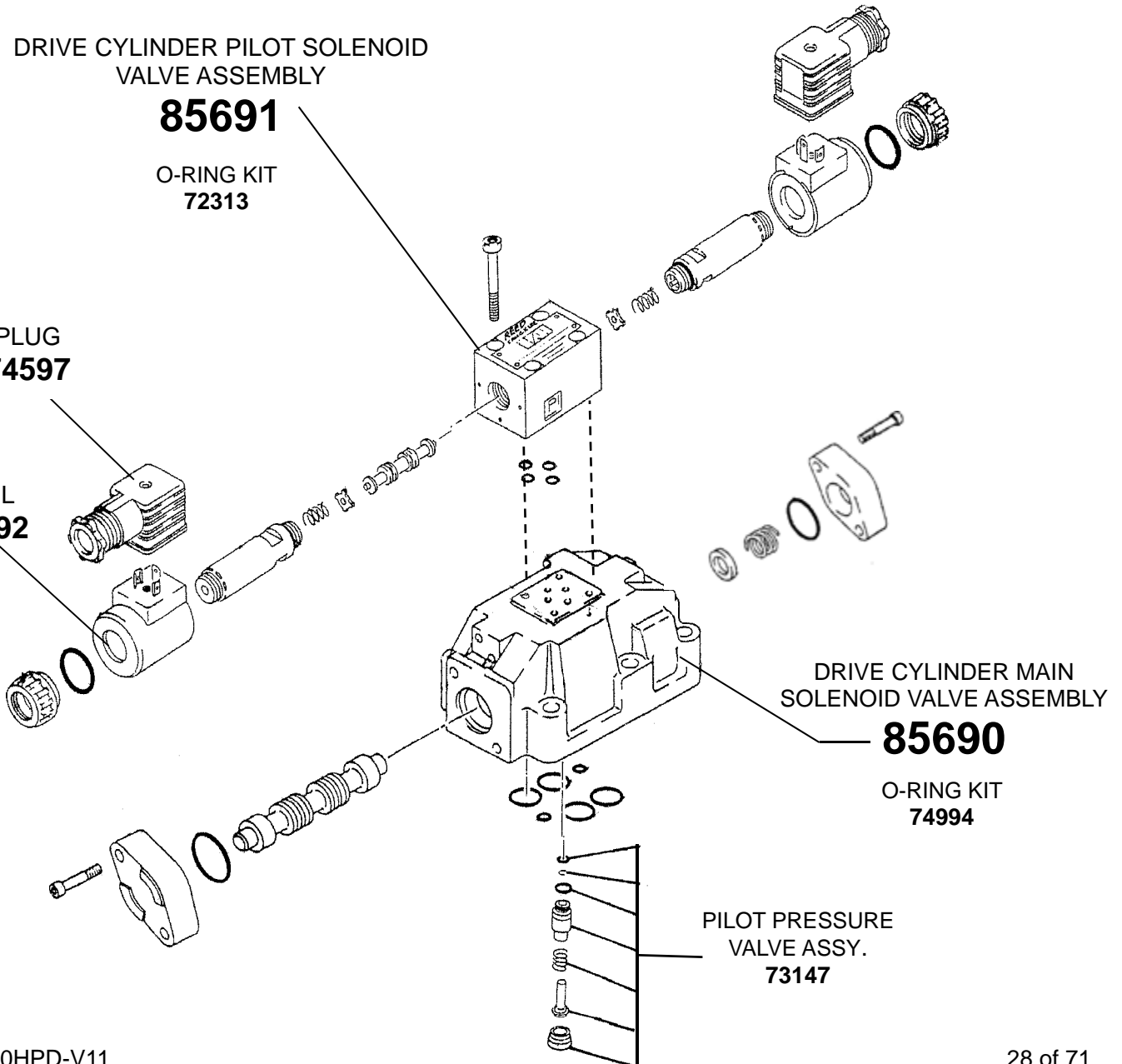
DRIVE CYLINDER PILOT SOLENOID  
VALVE ASSEMBLY

**85691**

O-RING KIT  
72313

PLUG  
74597

COIL  
85692



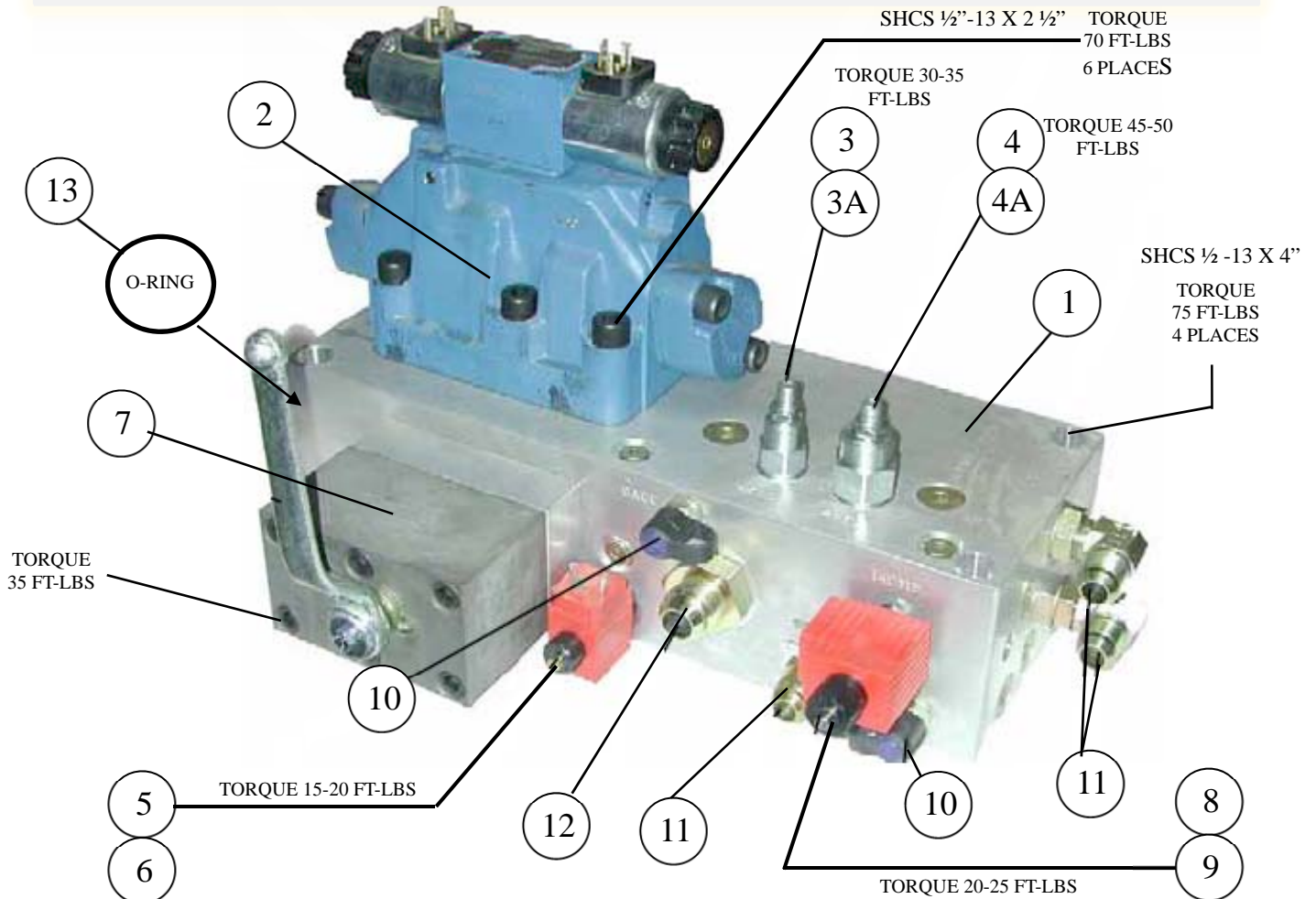
DRIVE CYLINDER MAIN  
SOLENOID VALVE ASSEMBLY

**85690**

O-RING KIT  
74994

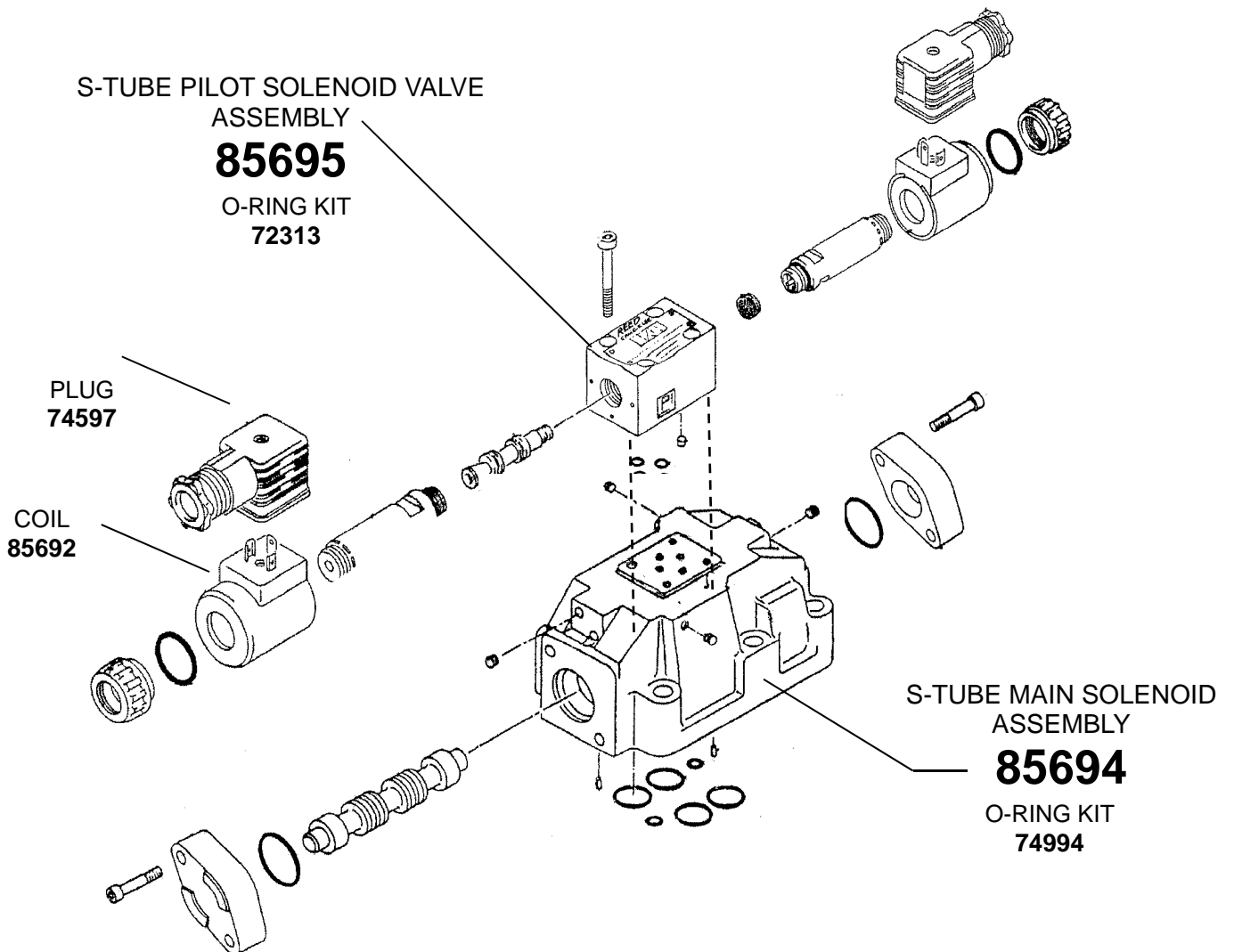
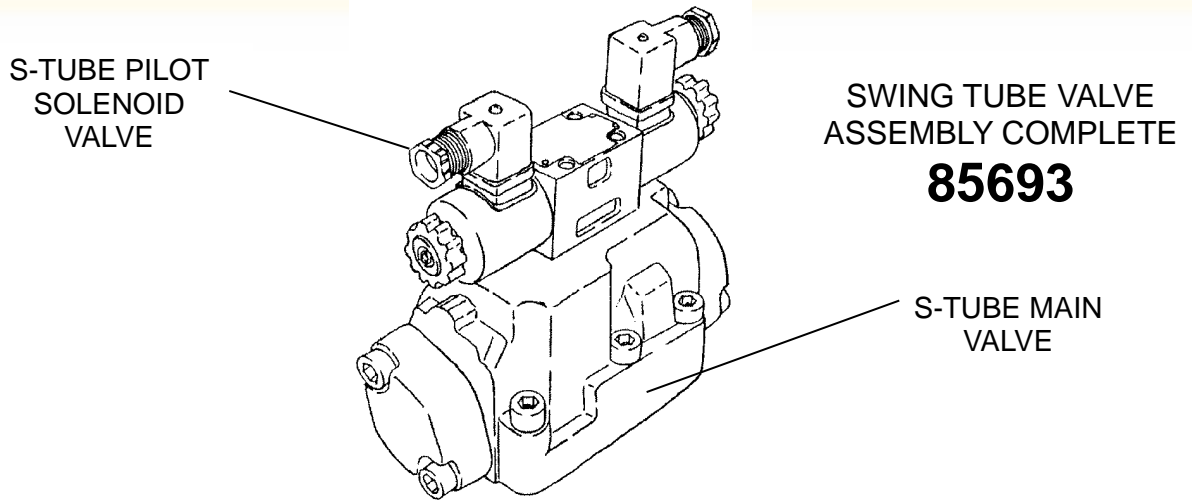
PILOT PRESSURE  
VALVE ASSY.  
73147

### S-TUBE CIRCUIT MANIFOLD ASSEMBLY

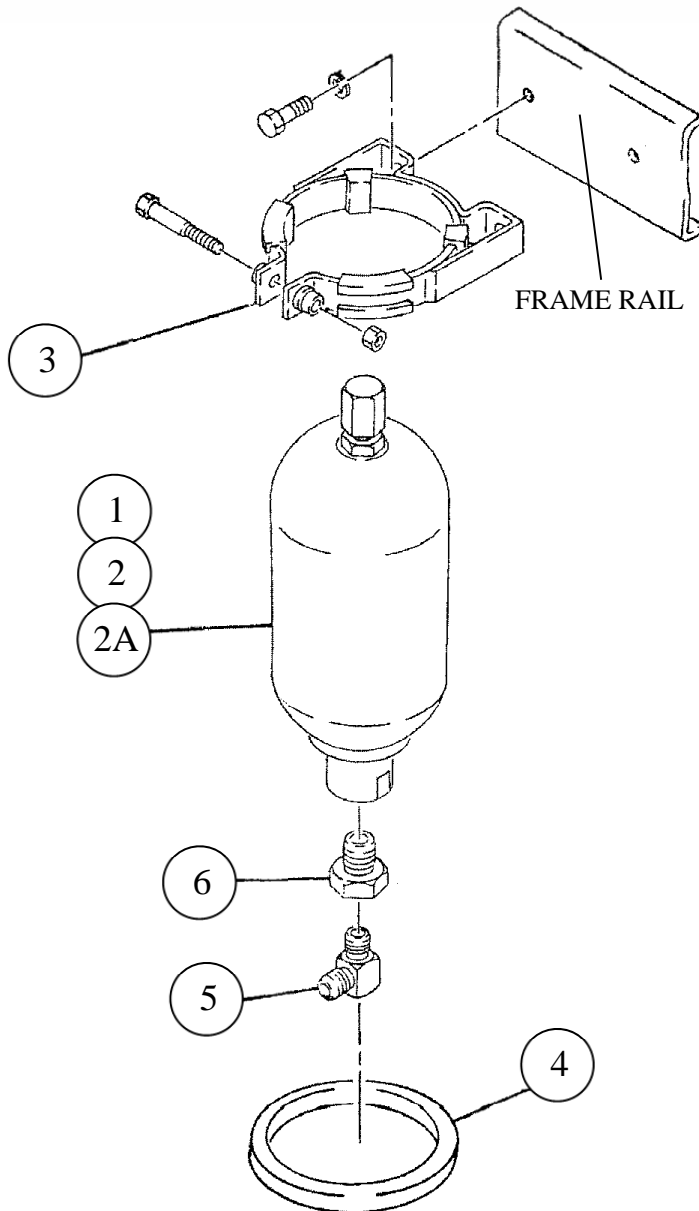


ID #	PART #	PART DESCRIPTION	QUANTITY	
	85249	MANIFOLD, S-TUBE CIRCUIT ASSEMBLY	REF	
1	86821	MANIFOLD, MACHINED S-TUBE CIRCUIT	1	EA
2	85693	SOLENOID VALVE, S-TUBE SHIFT	1	EA
3	85704	UNLOADER VALVE CARTRIDGE, (QCDB)	1	EA
3A	85704-SK	SEAL KIT		
4	85703	RELIEF VALVE CARTRIDGE, (RVEA)	1	EA
4A	85703-SK	SEAL KIT		
5	87246	SOLENOID VALVE CARTRIDGE, (12CHS)	1	EA
6	87247	COIL, 12VDC,	1	EA
7	85705	BALL VALVE,	1	EA
8	87248	SOLENOID VALVE CARTRIDGE, (14CHS)	1	EA
9	87249	COIL, 12V DC FOR PN-87248	1	EA
10	78593	MINICHECK ADAPTOR, SAE	2	EA
11	86728-014	ELBOW, MB-MJ90-10-10	2	EA
12	86900-027	ADAPTOR, MB-MJ-16-12	1	EA
13	86946	O-RING #230 BUNA 90DUR	1	EA

**S-TUBE CIRCUIT MANIFOLD ASSEMBLY CONT.**

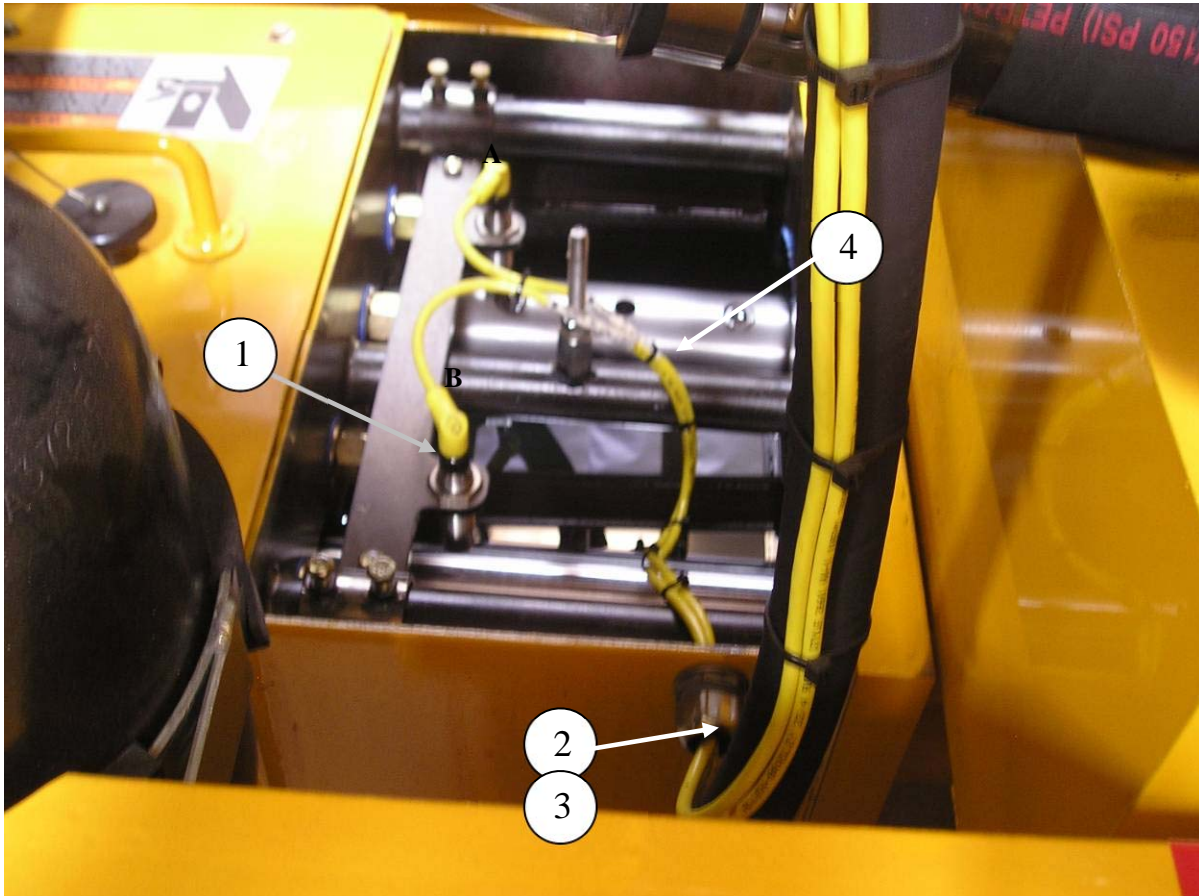


### ACCUMULATOR ASSEMBLY



ID #	PART #	PART DESCRIPTION	QUANTITY	
1	74515	ACCUMULATOR-1 GAL 3000PSI	1	EA
2	74516	BLADDER, 1 GAL.	1	EA
2A	85812	BLADDER SEAL KIT	1	EA
3	73171	ACCUMULATOR BKT.W/CLOSING HARDWARE	1	EA
4	801028	GROMMET, ACCUMULATOR	1	EA
5	86728-019	ELBOW, MB-MJ90-12-12	1	EA
6	86920-20	REDUCER MB-FB-20-12	1	EA

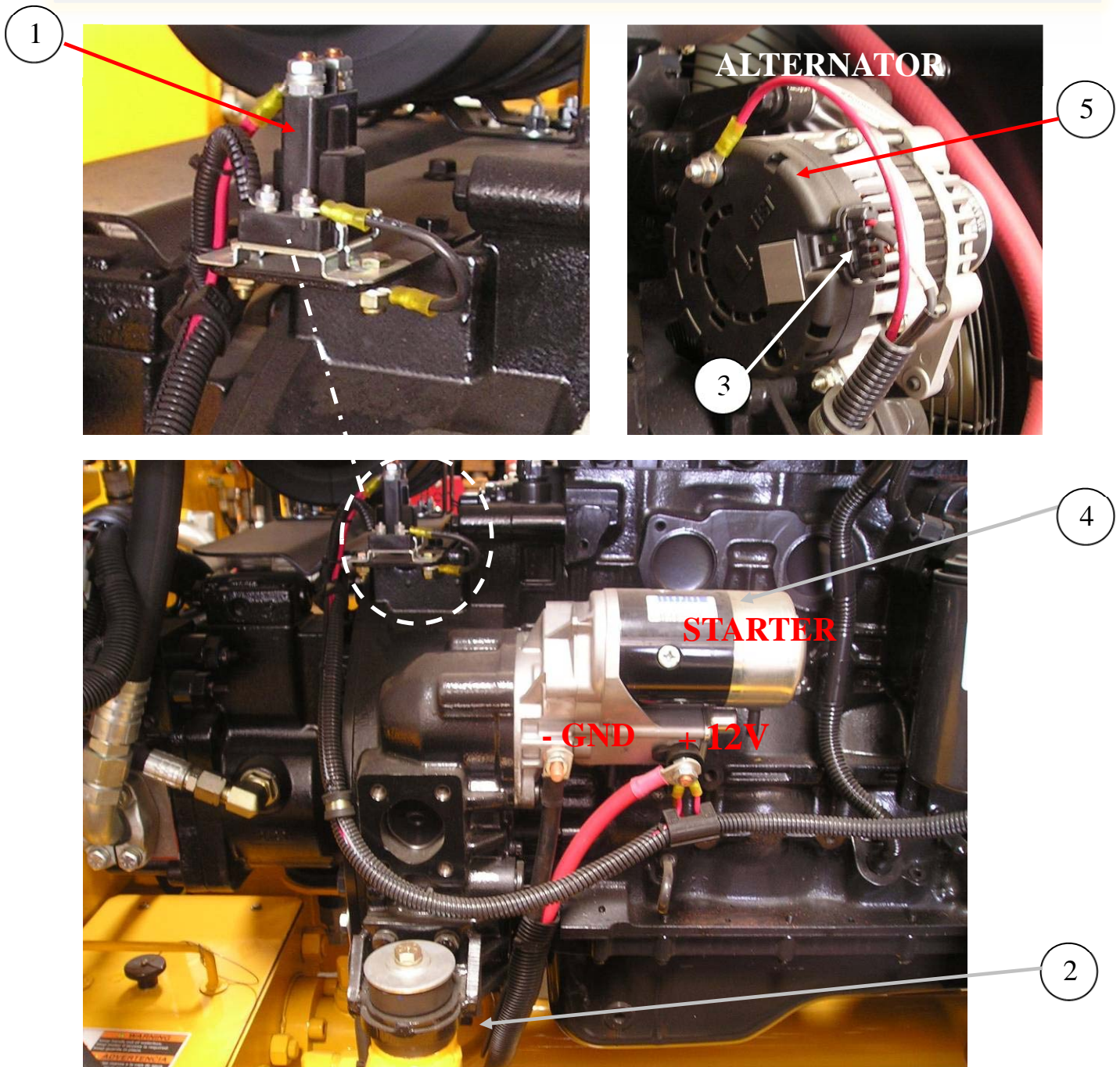
## ELECTRICAL GROUP PROXIMITY SWITCHES



ID #	PART #	PART DESCRIPTION	QUANTITY	
	87930	ELECTRICAL GROUP B SER 2008 CUMMINS	REF	
1	77998	PROXIMITY SENSOR NPN FLUSH BOX MOUT	2	EA
2	10522	STRAIN RELIEF	1	EA
3	10528	NUT-1/2" BONDING TYPE LOCK	1	EA
4	77990	CABLE, PROXIMITY SWITCH, 5M	2	EA
5	77075	BATTERY-12V 1000 CCA31	REF	
6	87732	CABLE-43" BATTERY-RED 2/0	REF	
7	87733	CABLE-37" BATTERY-BLACK 2/0	REF	

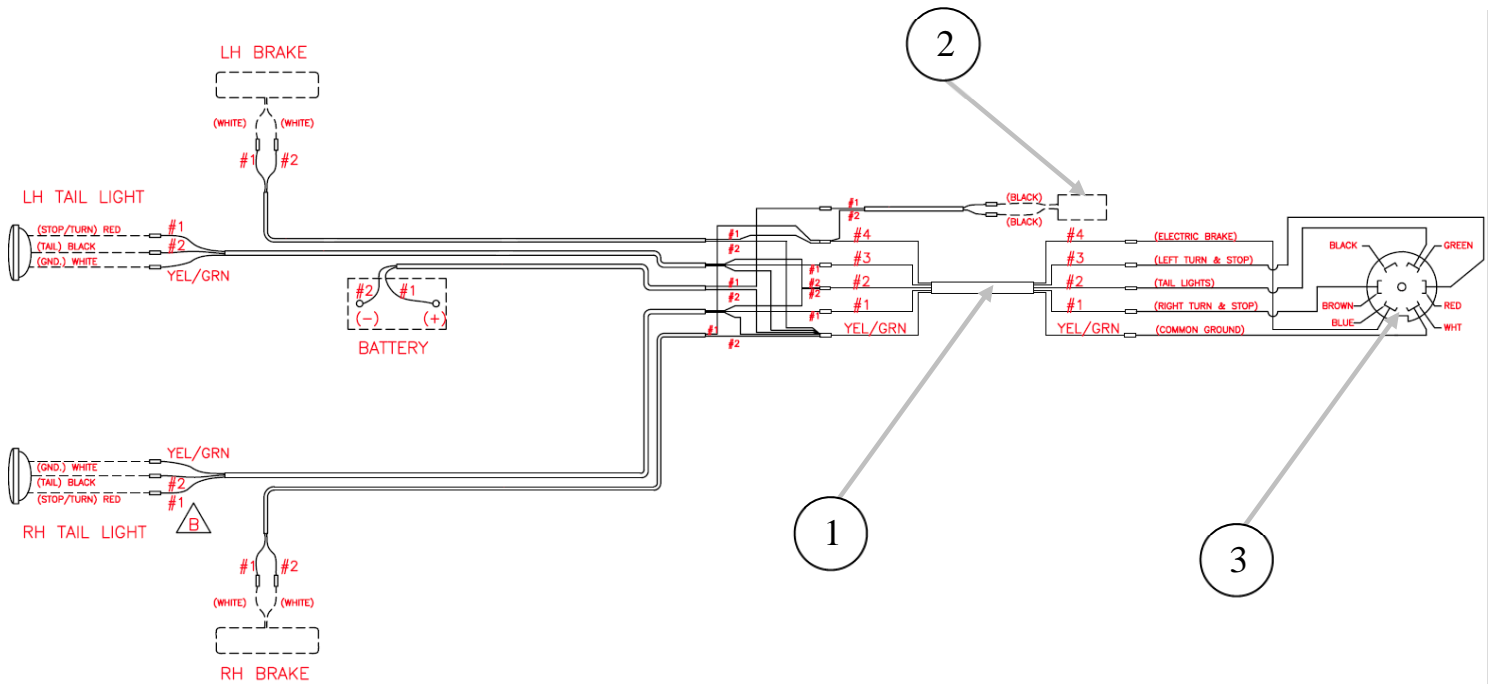


### STARTER AND ALTERNATOR



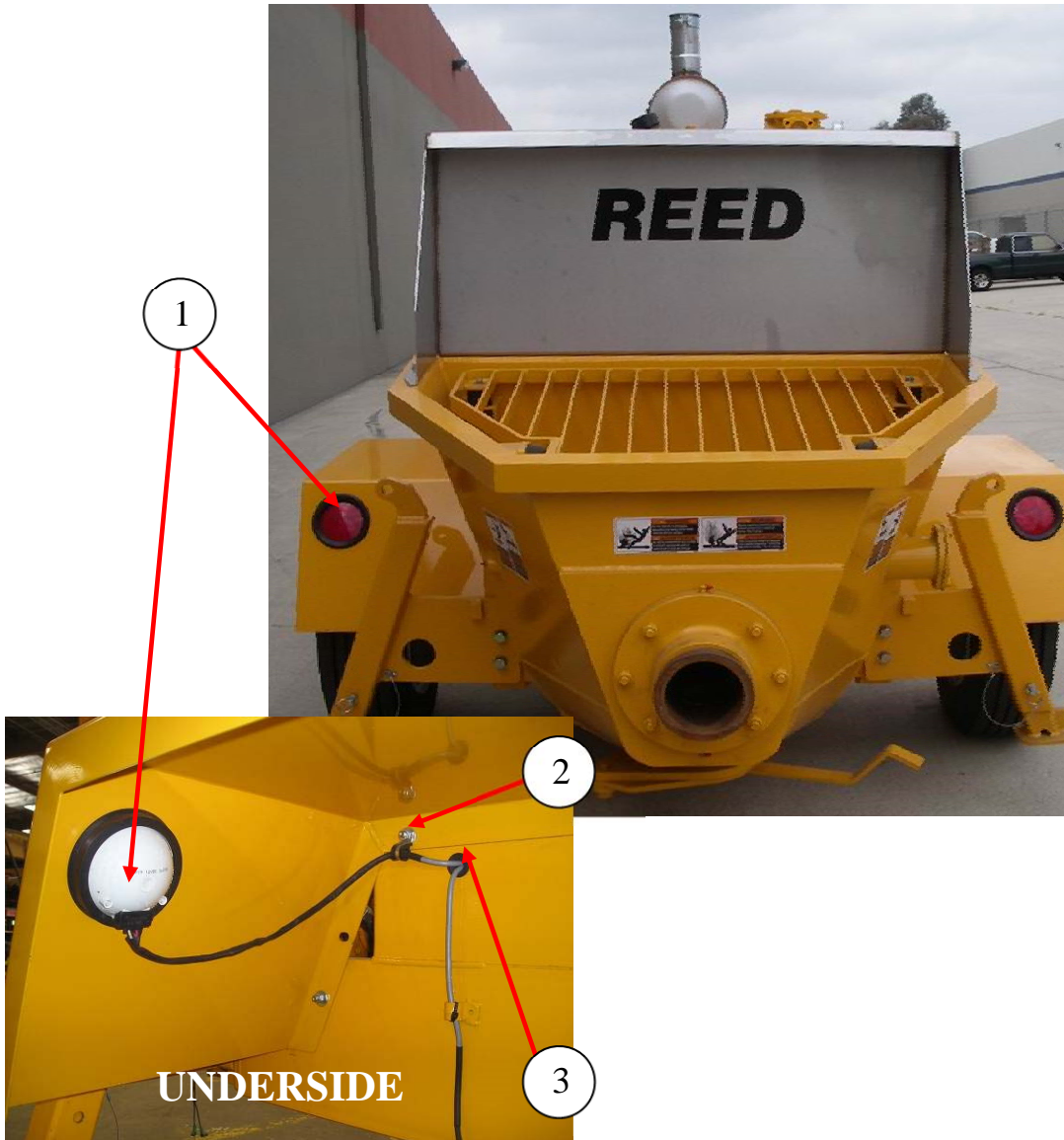
ID #	PART #	PART DESCRIPTION	QUANTITY	
1	87541	RELAY STARTER 12VDC-SELL W/87544	1	EA
2	73269	GROUND STRAP	1	EA
3	87669	PIGTAIL HARNESS, FOR CUMMINS ALTERN	1	EA
4	87725-006	STARTER MOTOR	1	EA
5	87725-007	ALTERNATOR	1	EA

### TRAILER HARNESS AND BREAKAWAY



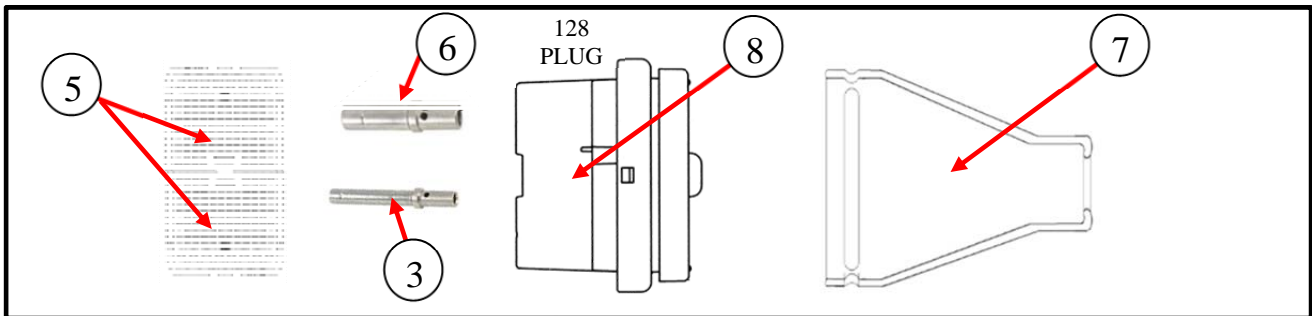
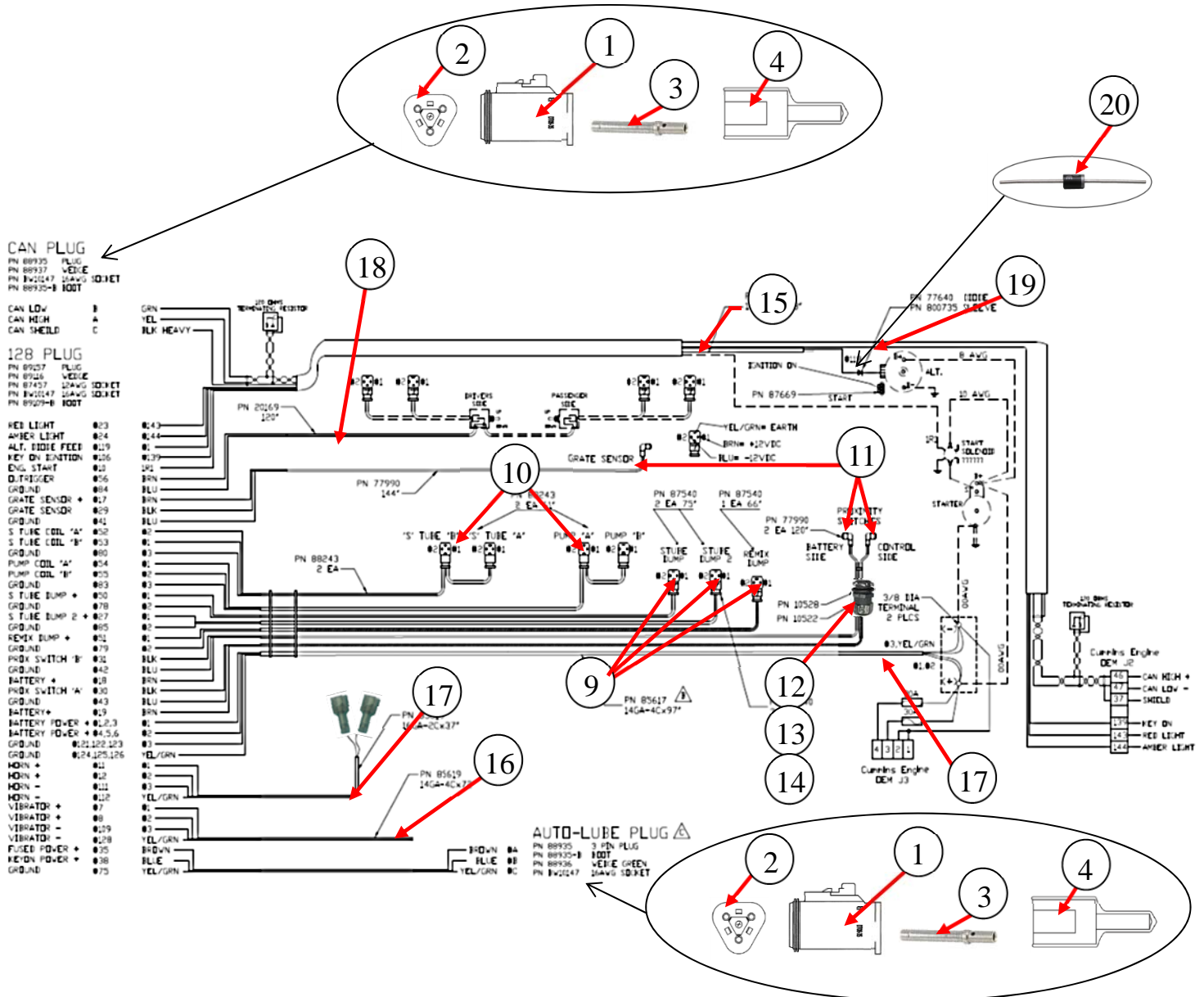
ID #	PART #	PART DESCRIPTION	QUANTITY	
1	86533	TRAILER HARNESS- B-SERIES	1	EA
2	77705	BREAK-AWAY KIT 5000 SERIES	1	EA
3	86579	TRAILER PLUG 7C FLAT PI	1	EA
4	72949	GROMMET	REF	EA
5	72813	GROMMET	REF	EA

## TAIL LIGHTS



ID #	PART #	PART DESCRIPTION	QUANTITY	
1	72948	TAIL LIGHT	2	EA
2	87665	LOOM CLAMP 7/8"	2	EA
3	72949	GROMMET	2	EA

## WIRING HARNESS





# B70HPD PLC

## PARTS

13822 Oaks Avenue  
Chino, CA 91710  
reedpumps.com  
(909) 287 - 2100

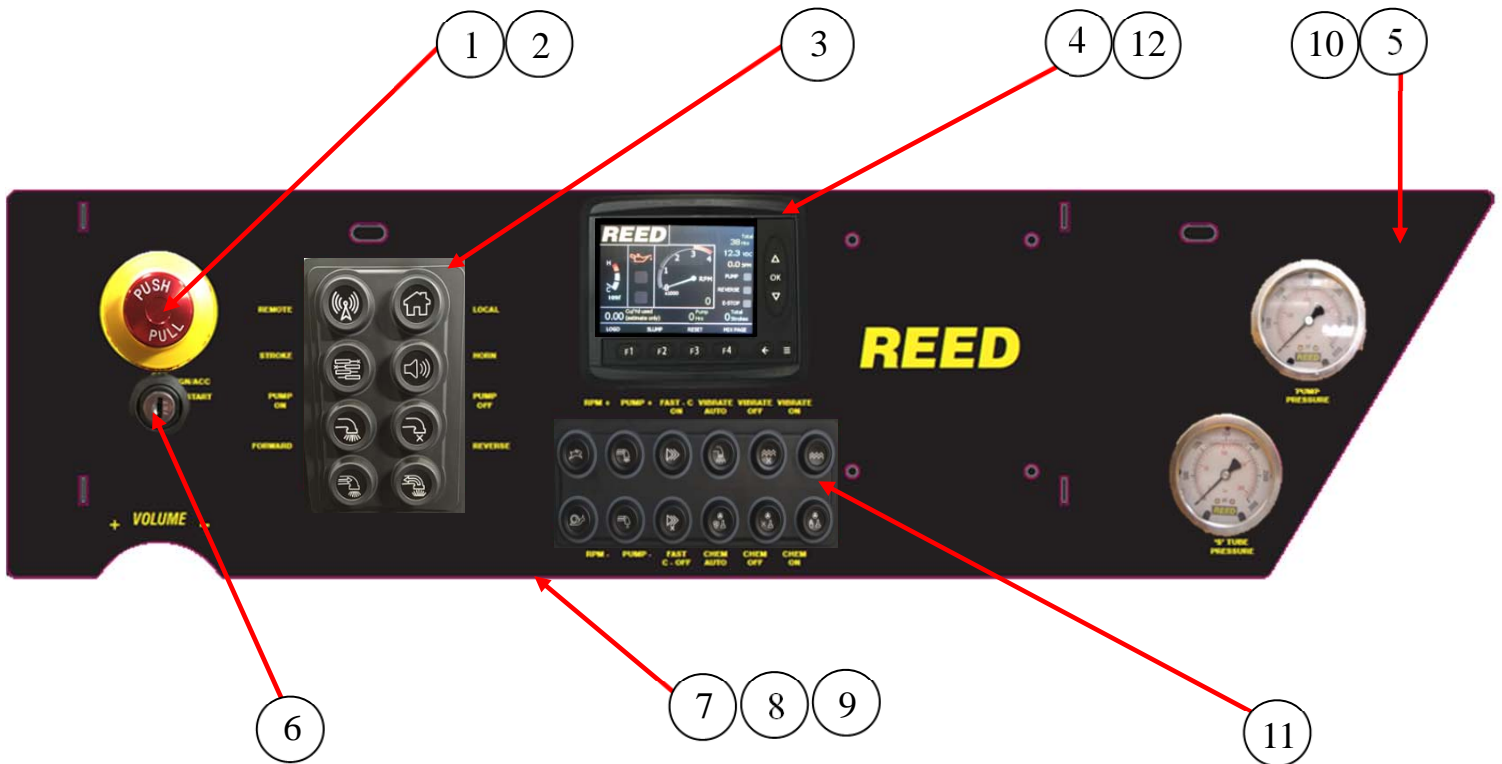
### WIRING HARNESS CONT.

ID #	PART #	PART DESCRIPTION	QUANTITY	
	89163	WIRING HARNESS B SER PLC, CUMMINGS TIER -3	REF	
1	88935	3WAY PLUG DT SER.	2	EA
2	88937	WEDGELOCK 1939V FOR 3 PIN PLUG	2	EA
3	BW10147	CONTACT SOCKET SIZE 16	35	EA
4	88935-B	BOOT FOR 3 WAY DT SERIES PLUG	2	EA
5	89116	DEUTSCH WEDGE FOR 89109	2	EA
6	87457	PIN FOR 87456 PLUG	15	EA
7	89109-B	BOOT FOR 89109,89157	1	EA
8	89157	DEUTSCH RECEPTACLE 128 CONTACT	1	EA
9	87540	CABLE SOLENOID	3	EA
10	88243	CABLE WITH 2 DIN PLUGS 5M	2	FT
11	77990	CABLE,PROXIMITY SWITCH	3	FT
12	10522	STRAIN RELIEF	1	EA
13	10528	NUT 1/2" BONDING TYPE LOCK	1	FT
14	30240	GASKET-LIQUID 1/2"	1	EA
15	85615	CABLE, 14AWG-2C, PVC-GRY	6.5	FT
16	85617	CABLE, 14AWG-4C, PVC-GRY	8.1	FT
17	85619	CABLE,16AWG-4C, PVC-GRY	9	FT
18	20169	CABLE, 18AWG-3C PVC BLACK	10	FT
19	87669	PIGTAIL HARNESS, CUMMINS ALT.	1	EA
20	77640	DIODE, IN4003	1	EA

### WIRING HARNESS

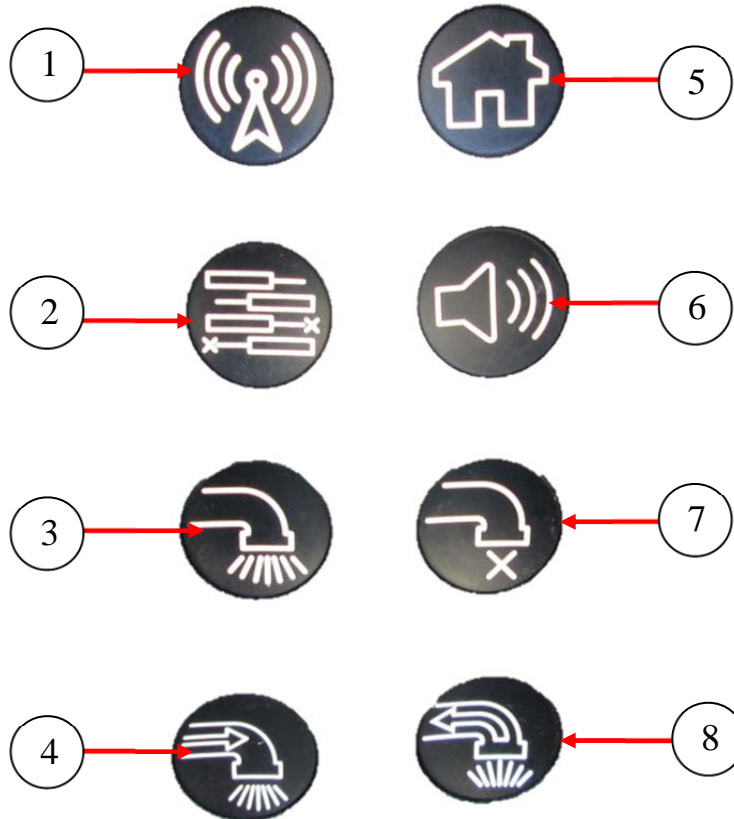
### PLC CONTROLS

### B-SERIES CONTROL PANEL



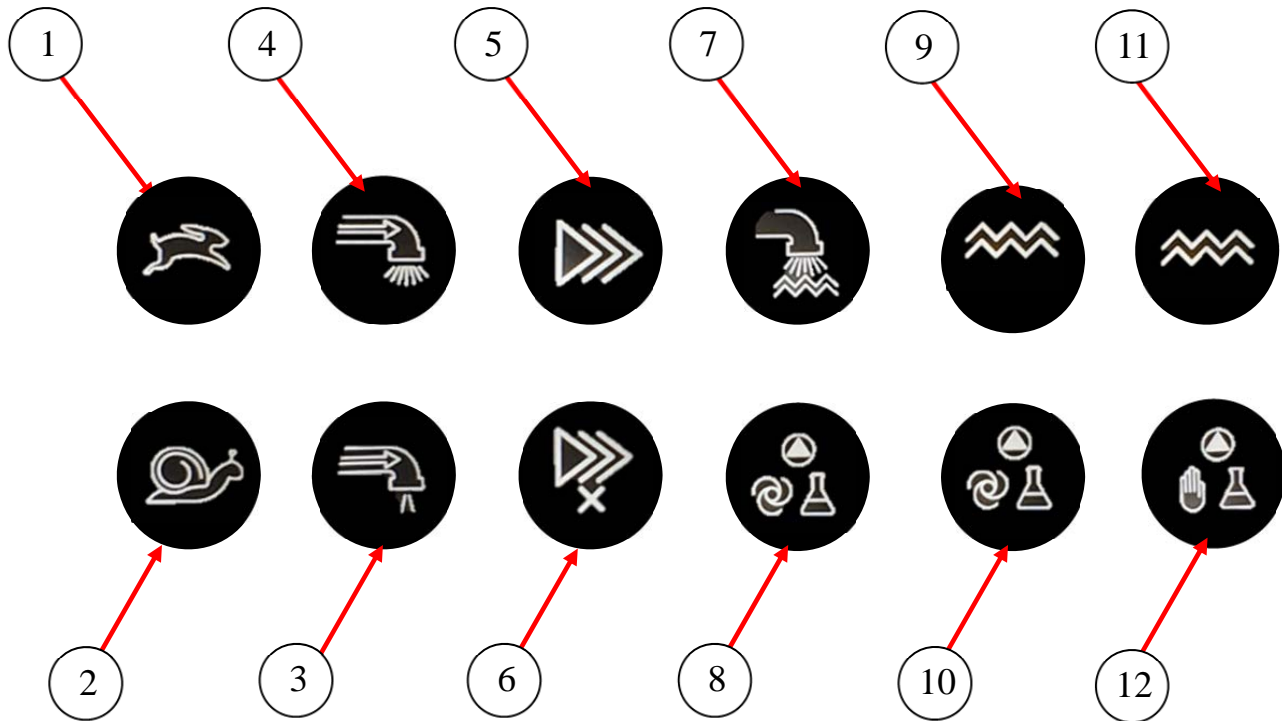
ID #	PART #	PART DESCRIPTION	QUANTITY	
	89333-T3	B-SERIES CONTROL PANEL ASSY.	REF	
1	89090	EMERGENCY STOP PUSH BUTTON HEAVY DUTY	1	EA
2	89090-L	ILLUMINATED E-STOP RING	1	EA
3	88979	KEYPAD 2X4 SWITCH, PROGRAMMABLE	1	EA
4	88198	MD3, PARKER DISPLAY MODULE	1	EA
5	89092-D	DECAL CONTROL PANEL C-SER PLC	1	EA
6	89004	KEY SWITCH SEALED	1	EA
7	890952-P	PANEL FORMED FRONT, PLC C SERIES	1	EA
8	89092-PB	PANEL FORMED BACK, PLC B&C SERIES	1	EA
9	89124	HINGE PIANO 1"X12" LONG	2	EA
10	89092-C	PLC PROTECTIVE FRONT COVER	1	EA
11	88978	KEYPAD 2X6 SWITCH, PROGRAMMABLE	1	EA
12	89327	DISPLAY PROTECTIVE FILM	1	EA

### KEY PAD SWITCHES INSERT KIT



ID #	PART #	PART DESCRIPTION	QUANTITY	
	89412-BC	INSERT KIT FOR PLC SWITCH FUNCTIONS	REF	
1	89412-2L	INSERT,REMOTE ICON (CLEAR)	1	EA
2	89412-4L	INSERT,PRESSURE A/B ICON (CLEAR)	1	EA
3	89412-5L	INSERT, PUMP ON ICON (CLEAR)	1	EA
4	89412-7L	INSERT,PUMP FORWARD ICON (CLEAR)	1	EA
5	89412-1L	INSERT,PUMP LOCAL ICON (CLEAR)	1	EA
6	89412-3L	INSERT, HORN ICON (CLEAR)	1	EA
7	89412-6L	INSERT, PUMP OFF ICON (CLEAR)	1	EA
8	89412-8L	INSERT, PUMP REVERSE ICON (CLEAR)	1	EA

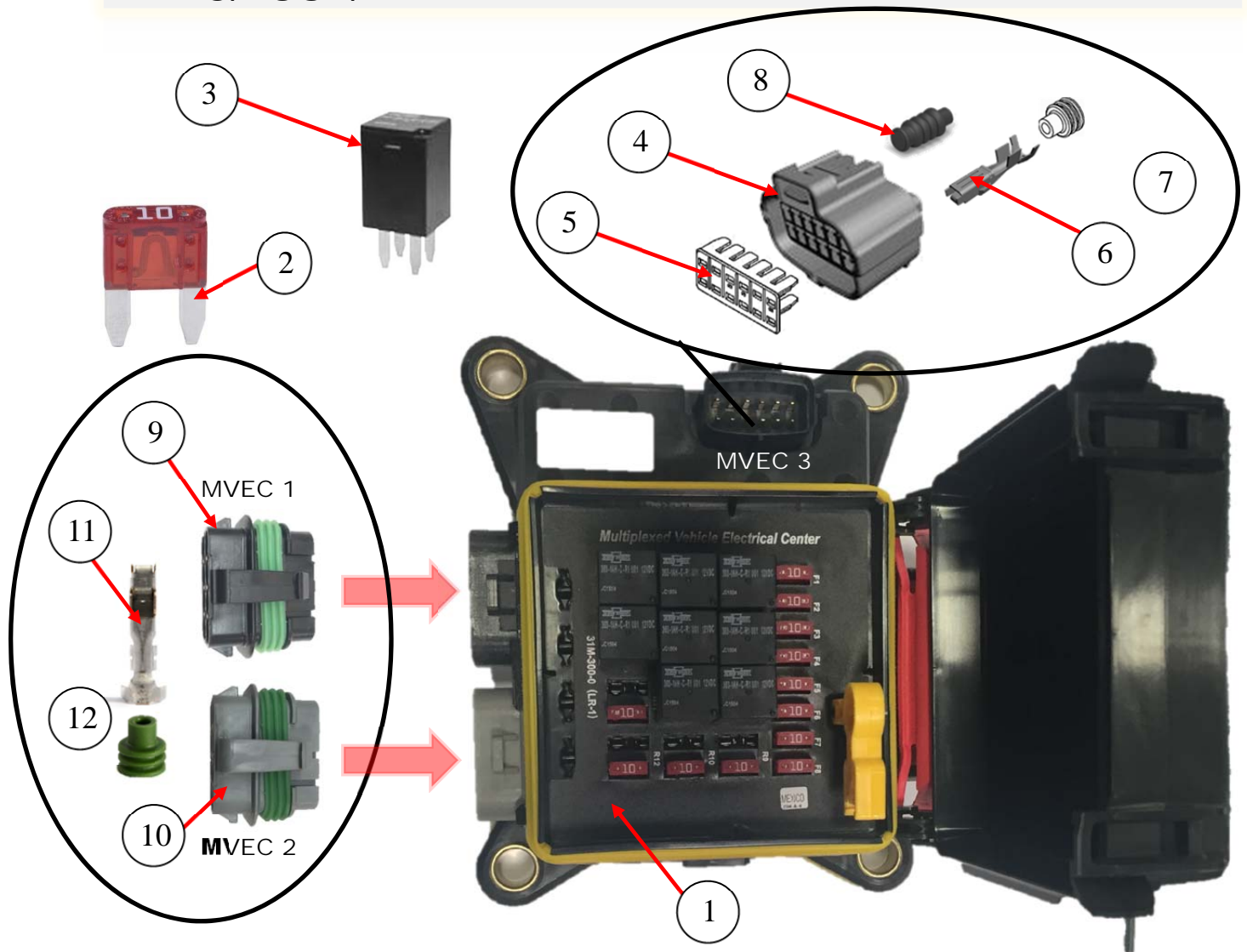
### KEY PAD SWITCHES INSERT KIT CONT.



ID #	PART #	PART DESCRIPTION	QUANTITY	
1	89412-9S	INSERT, THROTTLE GAIN ICON (CLEAR)	1	EA
2	89412-10S	INSERT, TROTTLE DROP ICON (CLEAR)	1	EA
3	89412-12S	INSERT, PUMP VOLUME (-) (CLEAR)	1	EA
4	89412-11S	INSERT, PUMP VOLUME (+) (CLEAR)	1	EA
5	89412-13S	INSERT, FASCHANGE ON ICON (CLEAR)	1	EA
6	89412-14S	INSERT, FASCHANGE OFF ICON (CLEAR)	1	EA
7	89412-15S	INSERT, VIBRATOR AUTO ICON (CLEAR)	1	EA
8	89412-16S	INSERT, CEM AUTO ICON (CLEAR)	1	EA
9	89412-17S	INSERT, VIBRATOR OFF ICON (CLEAR)	1	EA
10	89412-18S	INSERT, CEM OFF ICON (CLEAR)	1	EA
11	89412-19S	INSERT, VIBRATOR ON ICOM (CLEAR)	1	EA
12	89412-20S	INSERT, CEM ON ICOM (CLEAR)	1	EA

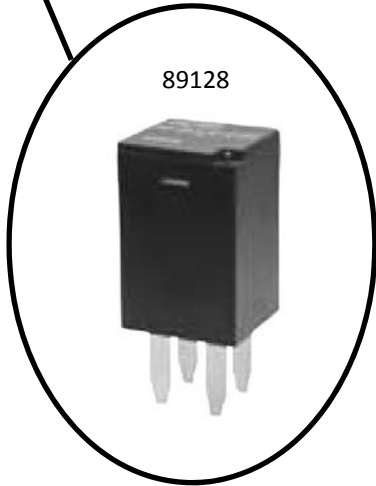
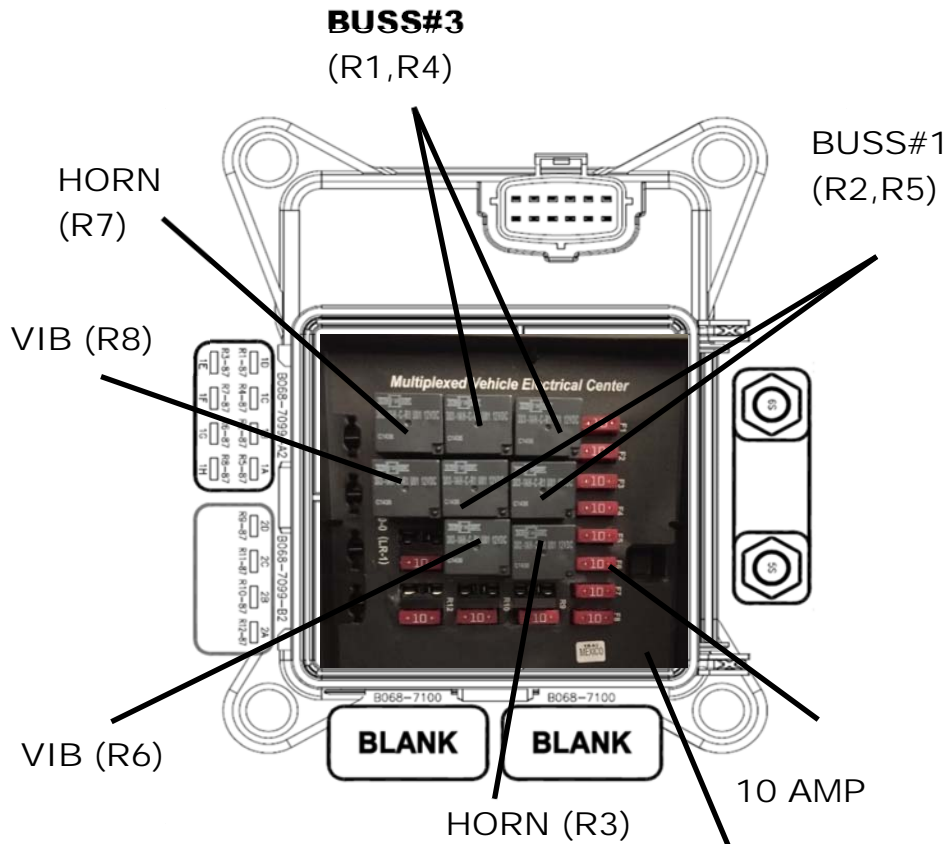


### MVEC/FUSE/RELAY

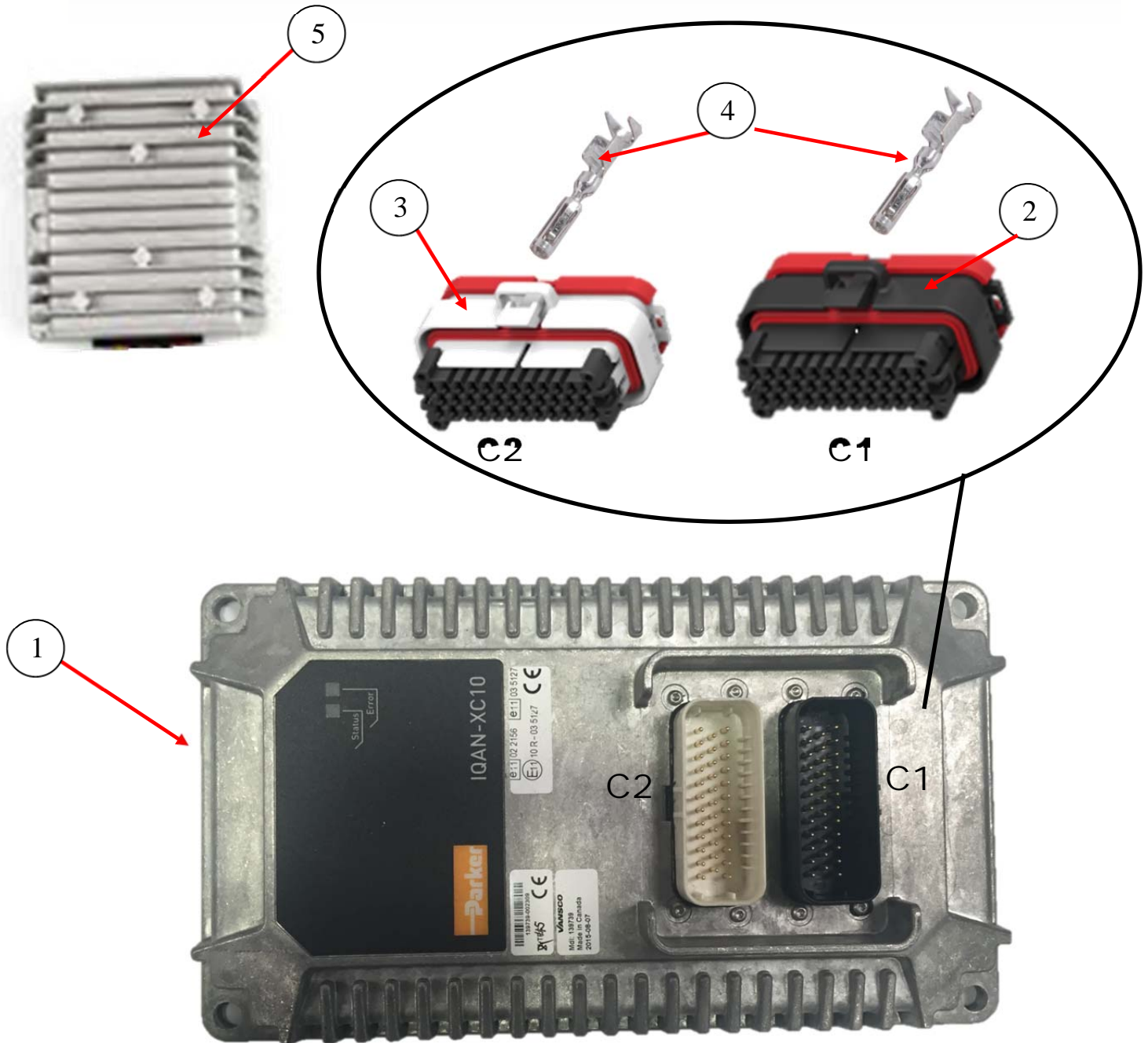


ID #	PART #	PART DESCRIPTION	QUANTITY	
1	88980	MVEC, 12 RELAY, BUSSMAN	1	EA
2	88953	AUTOMOTIVE MINITURE BLADE FUSE 10AMP	12	EA
3	89128	MVEC,RELAY,12V	8	EA
4	89112	AMP, PLUG 2X6, (MVEC 3)	1	EA
5	89112-1	AMP, WEDGE, 89112 (MVEC 3)	1	EA
6	89112-2	AMP, FEMALE, PIN, TERMINAL (MVEC 3)	5	EA
7	89112-3	AMP, WIRE SEAL, ORANGE (MVEC 3)	5	EA
8	89112-4	AMP, CAVITY PLUG (MVEC 3)	7	EA
9	89110	METRIPACK PLUG,2X4 (MVEC 1-BLK)	1	EA
10	89111	METRIPACK PLUG, 2X4 (MVEC 2-GRY)	1	EA
11	88960	TERMINAL PINS FEMALE AUTOMOTIVE	12	EA
12	89110-6	AMP, WIRE SEAL, (MVEC1-2, GREEN)	12	EA
13	89110-1	AMP, CAVITY PLUG, GREEN(MVEC 1)	4	EA

## MVEC/FUSE/RELAY



### EXPANSION MODULE PARKER IQAN-XC10



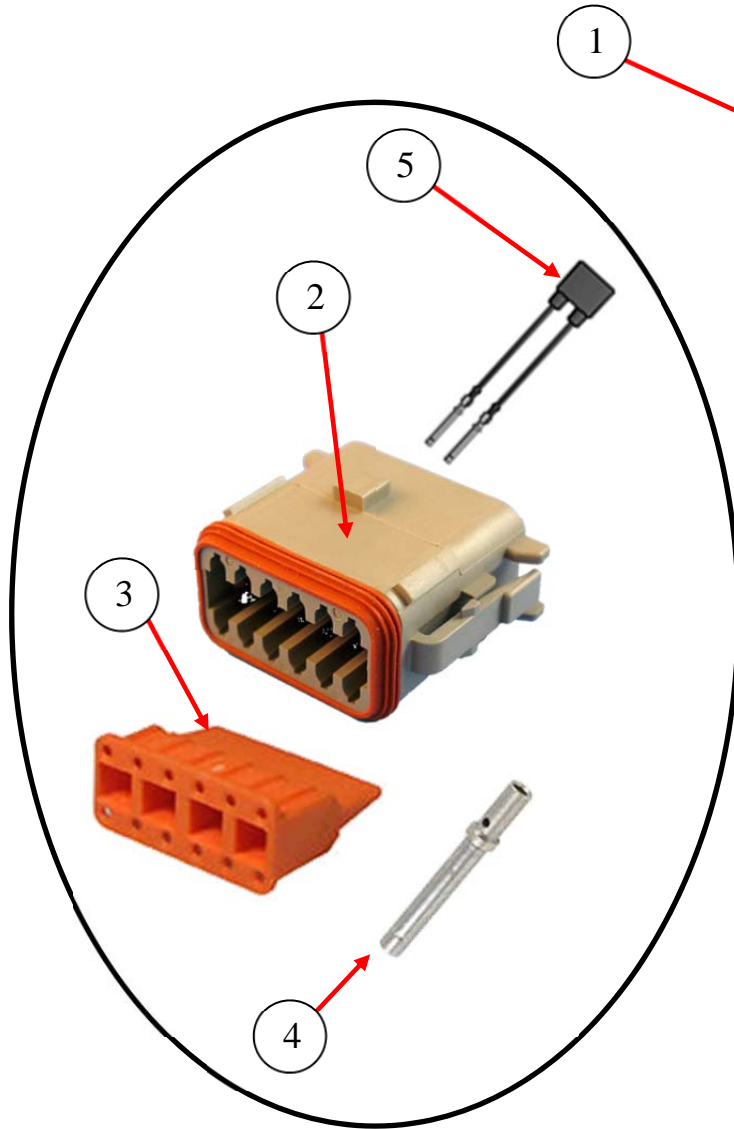
ID #	PART #	PART DESCRIPTION	QUANTITY	
1	88919	XC10, PARKER EXPANTION MODULE	1	EA
2	88945	AMP, 35 POS SEAL PLUG, BLACK (C1)	1	EA
3	88946	AMP, 35 POS SEAL PLUG, WHITE (C2)	1	EA
4	88945-S	AMP, CONTACT PIN (C1,C2)	38	EA
5	89090-C	DC/DC CONVERTER 12VDC TO 24VDC	1	EA

### MD3 DISPLAY MODULE

FRONT

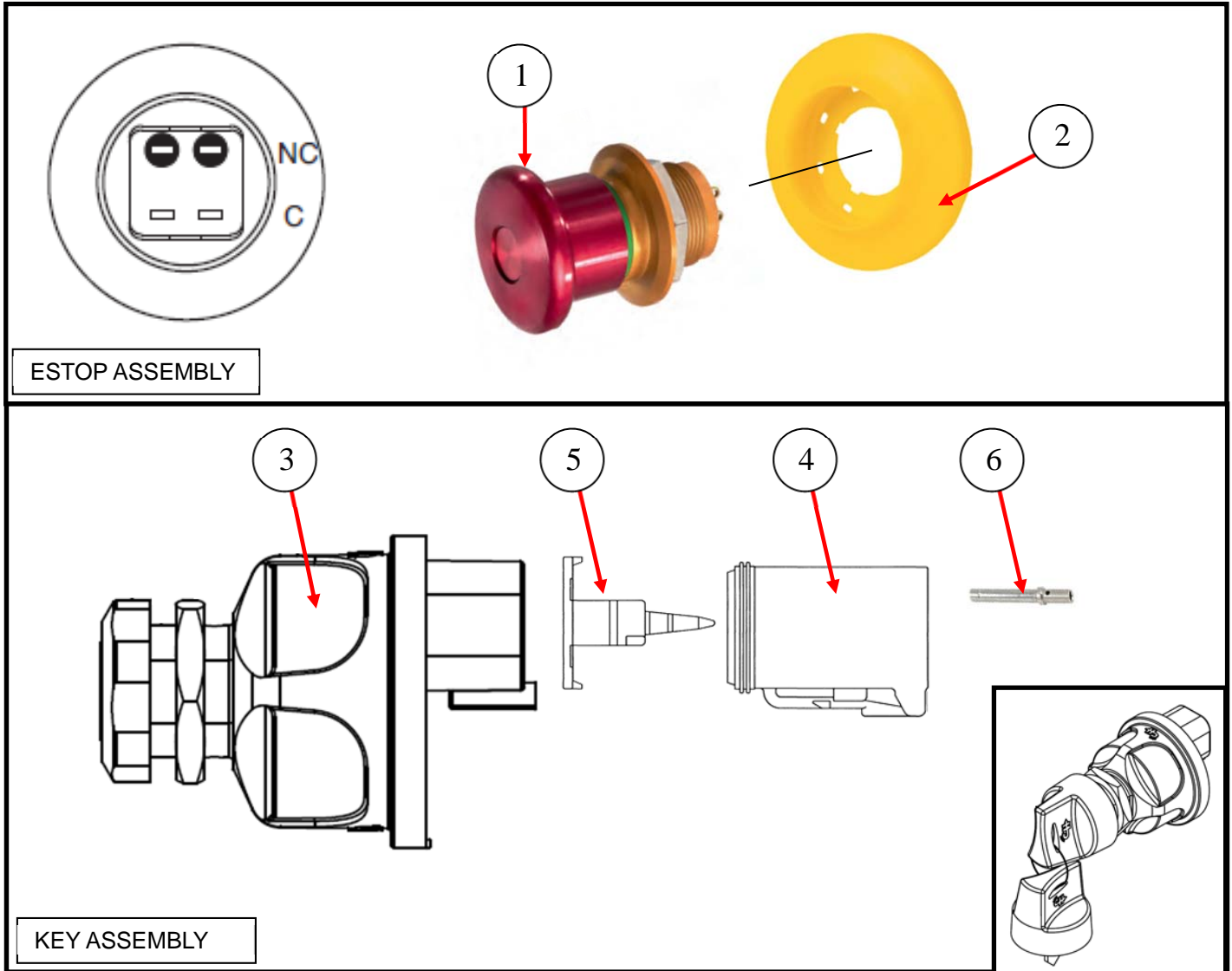


BACK



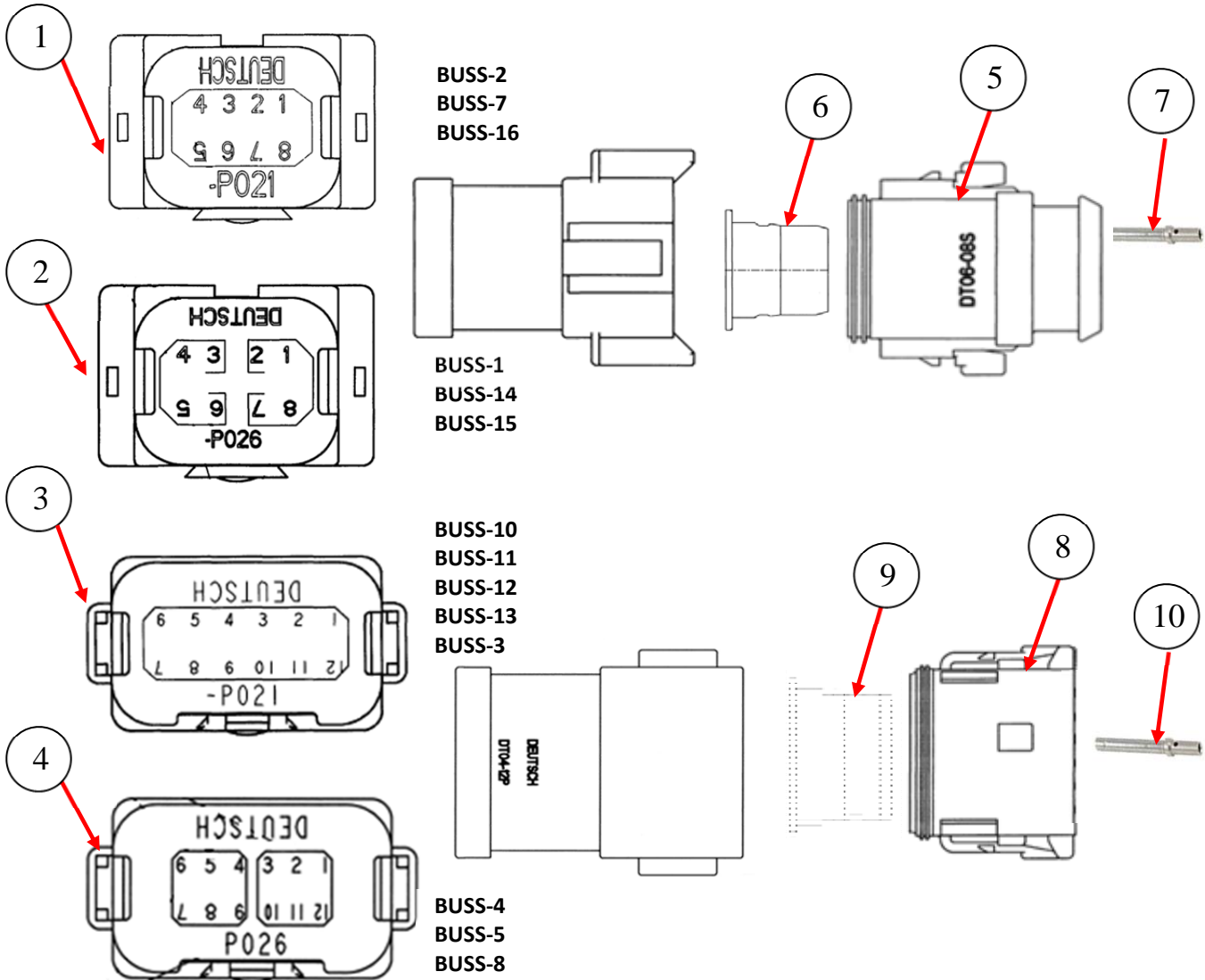
ID #	PART #	PART DESCRIPTION	QUANTITY	
1	88918	MD3,PARKER DISPLAY	1	EA
2	88653	PLUG DTM 12 WAY A KEY, GREY (C1)	1	EA
3	88653-2	WEDGELOCK DTM 12 WAY PLUG (C1)	1	EA
4	88959	CONTACT SOCKET SIZE 20 (7.5 AMP) (C1)	9	EA
5	89136	ADDRESS 3 IDTAG WITH DEUTSCH TERMINALS (1K OHM)	1	EA
6	89327	SCREEN PROTECTOR, MD3	1	EA

### ESTOP, KEY ASSEMBLY, PLUGS



ID #	PART #	PART DESCRIPTION	QUANTITY	
1	89090	EMERGENCY STOP BUTTON HEAVY DUTY	1	REF
2	89090-L	ILLUMINATED E-STOP RING	1	REF
3	89004	KEY SWITCH SEALED	1	REF
4	89107	DEUSCH DT06, 1X6	1	QTY
5	89108	DEUTSCH WEDGE LOCK FOR 89107	1	QTY
6	BW10147	DEUTSCH CONTACT SOCKET, 16AWG	6	QTY

### BUSSES, CONNECTORS, PINS



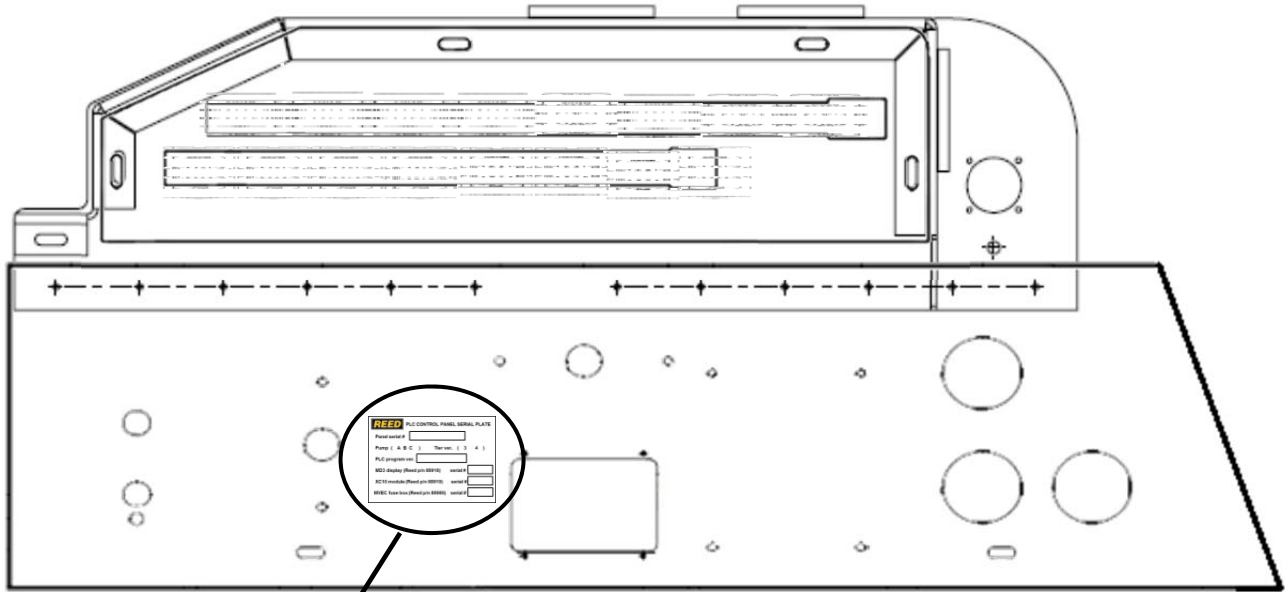
ID #	PART #	PART DESCRIPTION	QUANTITY	
1	89180	DEUTSCH DT04 BUS, 1X8 ( <b>SOLID</b> )	3	EA
2	89181	DEUTSCH DT04 BUS, 2X4 ( <b>SPLIT</b> )	3	EA
3	89106	DEUTSCH DT04 BUS, 1X12 ( <b>SOLID</b> )	5	EA
4	89103	DEUTSCH DT04 BUS, 2X6 ( <b>SPLIT</b> )	3	EA
5	89179	DEUTSCH DT06 PLUG, 2X4	5	EA
6	88542-1	WEDGE LOCK FOR 88542	5	EA
7	BW10147	CONTACT SOCKET PIN, SIZE16, 13 AMP		EA
8	89104	DEUTSCH DT06 PLUG, 2X6	3	EA
9	89105	WEDGE LOCK FOR 89104	8	EA
10	BW10147	CONTACT SOCKET PIN, SIZE16, 13 AMP		EA



# B70HPD PLC PARTS

13822 Oaks Avenue  
Chino, CA 91710  
reedpumps.com  
(909) 287 - 2100

## SERIAL PLATE IDENTIFICATION

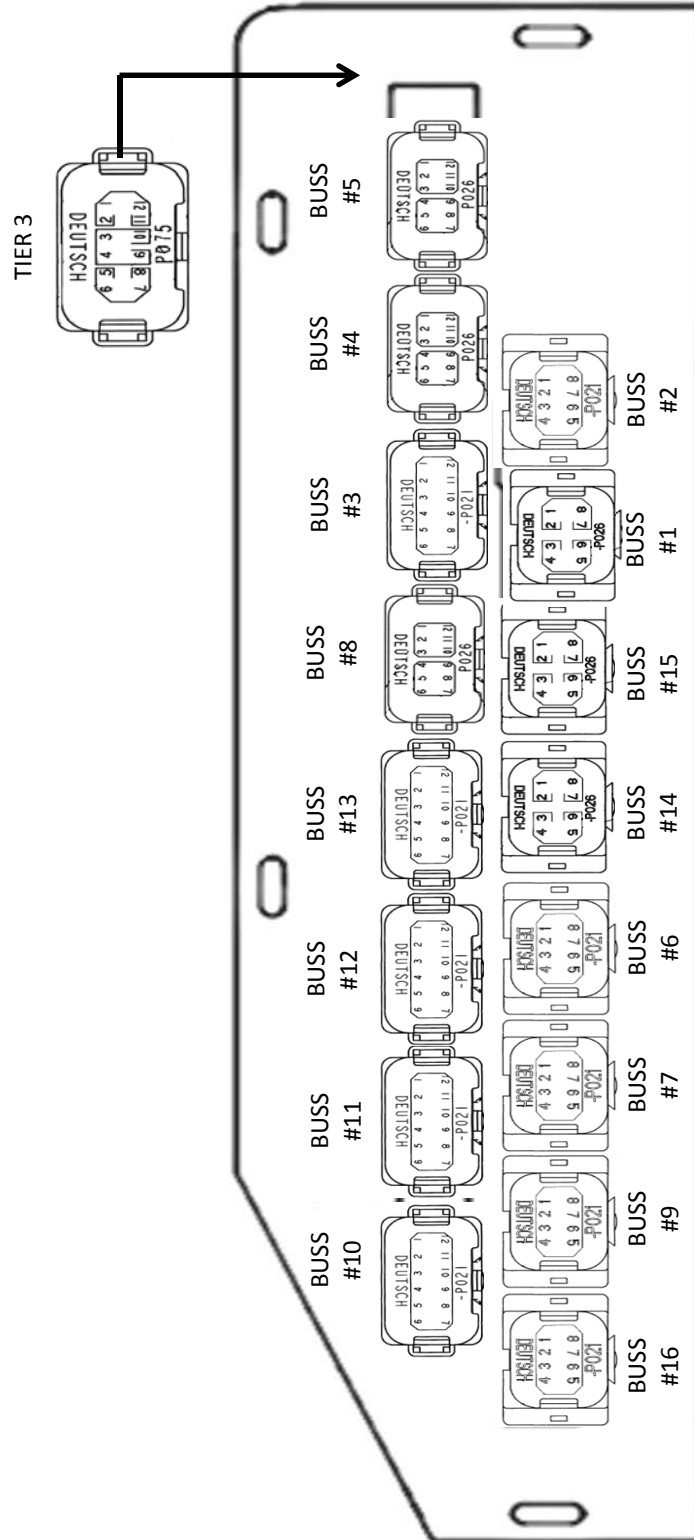


### Serial Plate Identification

REED PLC CONTROL PANEL SERIAL PLATE	
Panel serial #	<input type="text"/>
Pump ( A B C )	Tier ver. ( 3 4 )
PLC program ver.	<input type="text"/>
MD3 display (Reed p/n 88918)	serial # <input type="text"/>
XC10 module (Reed p/n 88919)	serial # <input type="text"/>
MVEC fuse box (Reed p/n 88980)	serial # <input type="text"/>

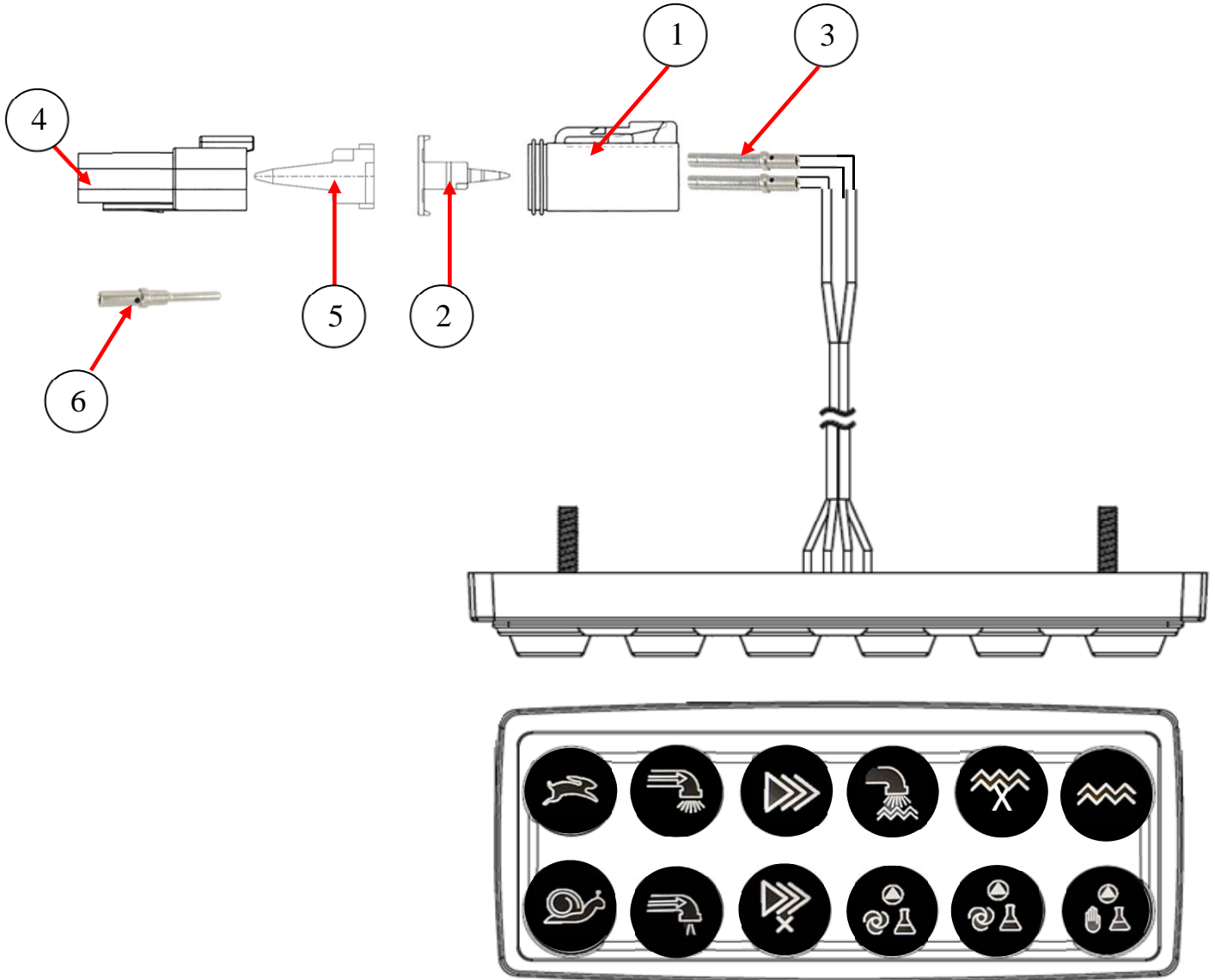
Panel serial # →  
 Pump type →  
 PLC program →  
 Tier version →  
 Display serial # →  
 Expansion module serial # →  
 Fuse/Relay box serial # →

### BUSS BAR SET-UP





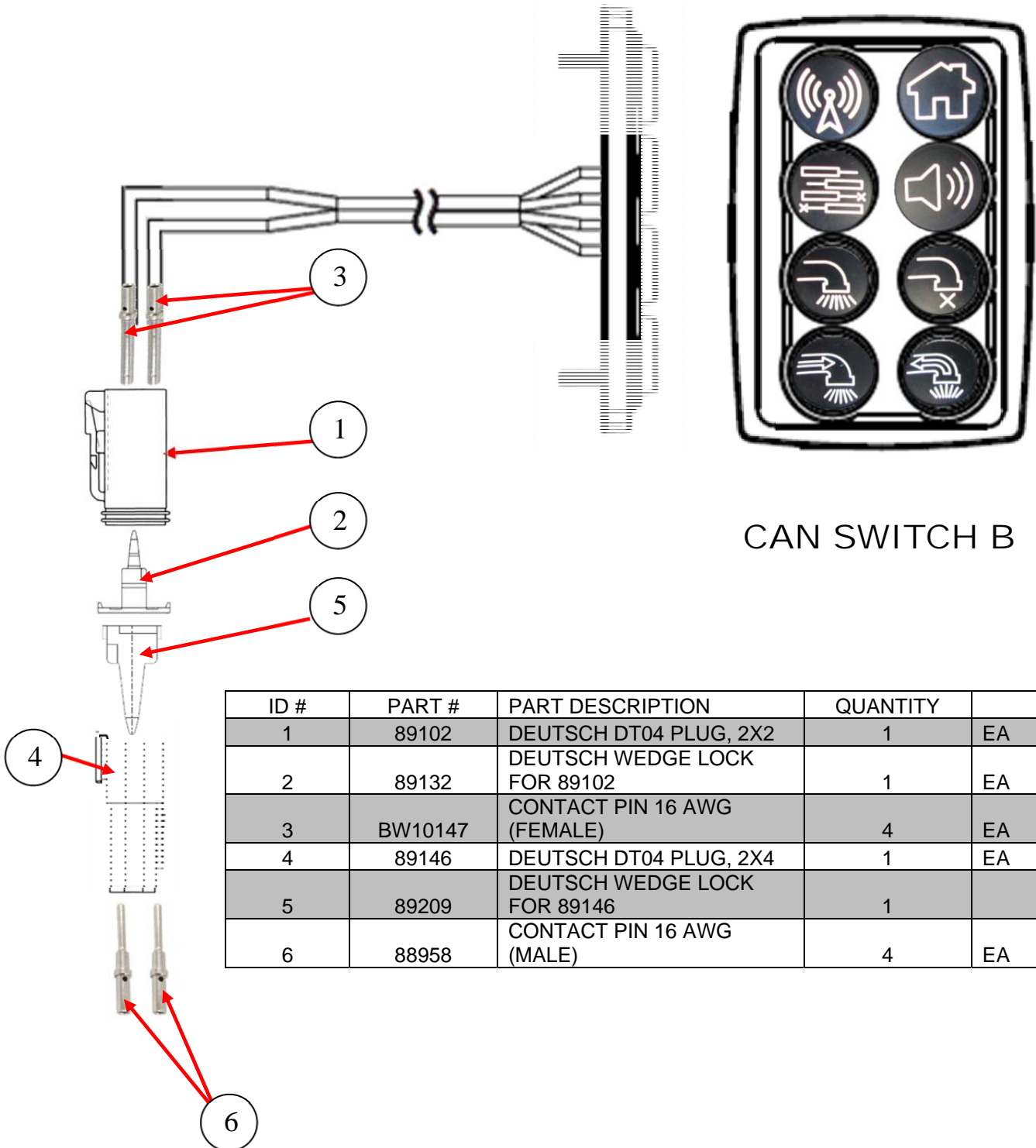
### CAN PUSH BUTTON SWITCH PLUG SWITCH A



CAN SWITCH A

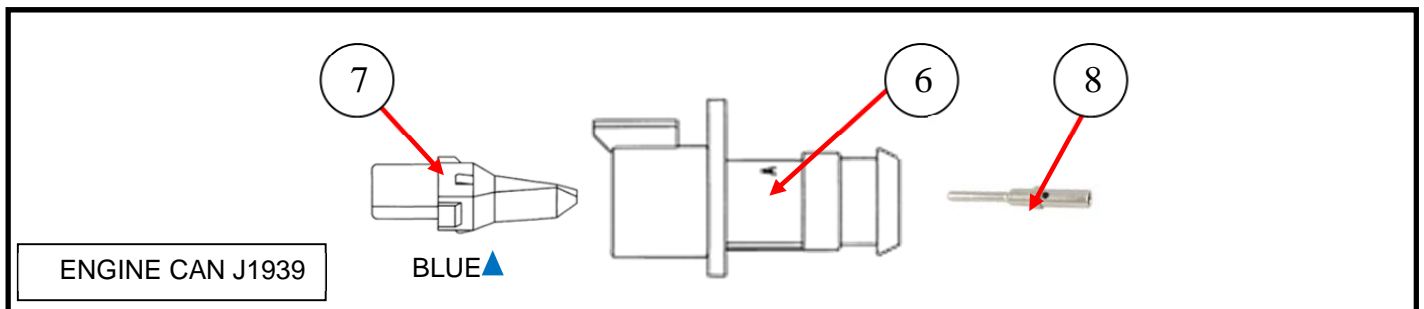
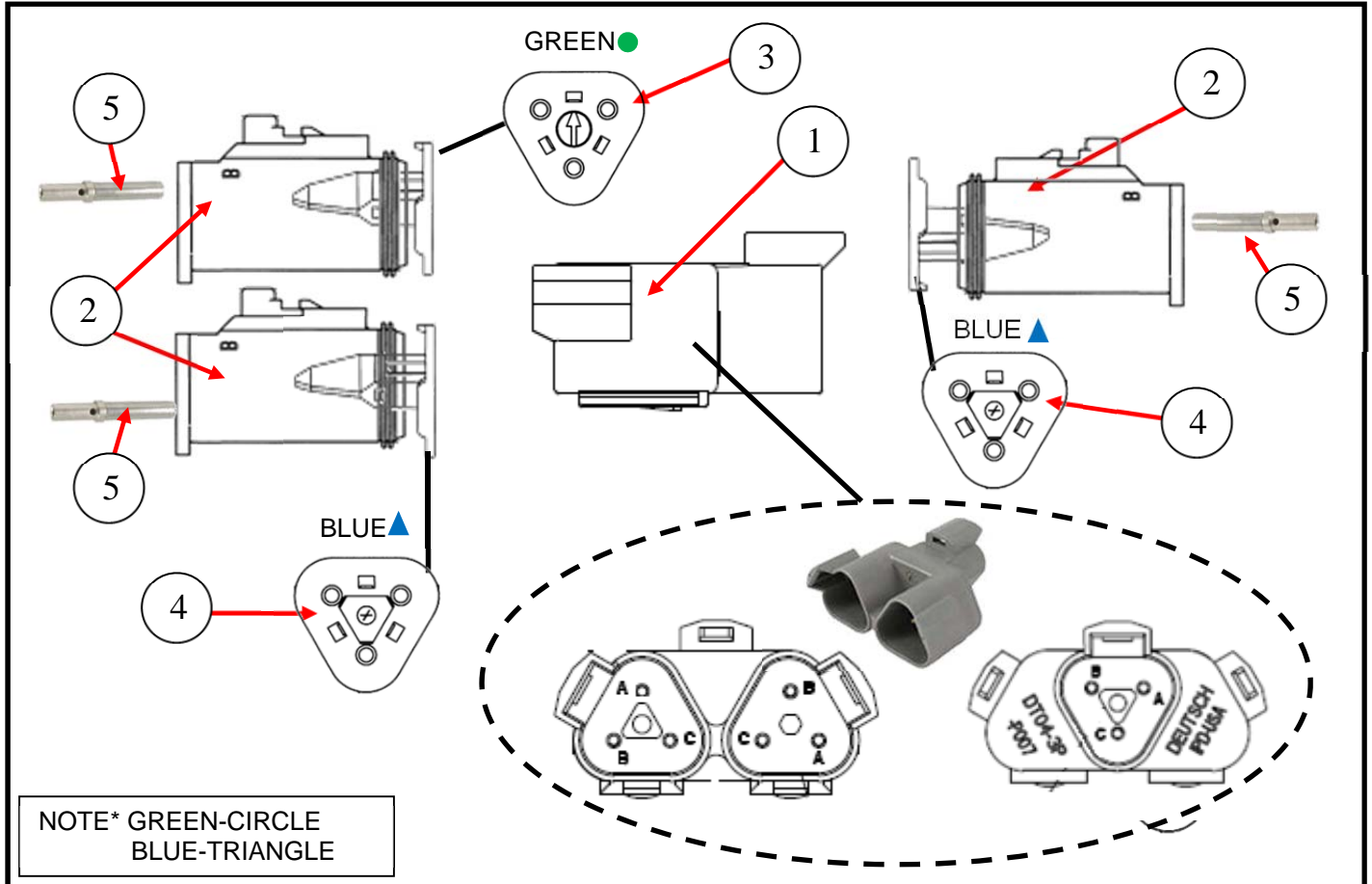
ID #	PART #	PART DESCRIPTION	QUANTITY	
1	89102	DEUTSCH DT04 PLUG, 2X2	1	EA
2	89132	DEUTSCH WEDGE LOCK FOR 89102	1	EA
3	BW10147	CONTACT PIN 16 AWG (FEMALE)	4	EA
4	89146	DEUTSCH DT04 PLUG, 2X4	1	EA
5	89209	DEUTSCH WEDGE LOCK FOR 89146	1	EA
6	88958	CONTACT PIN 16 AWG (MALE)	4	EA

### CAN PUSH BUTTON SWITCH PLUG SWITCH B



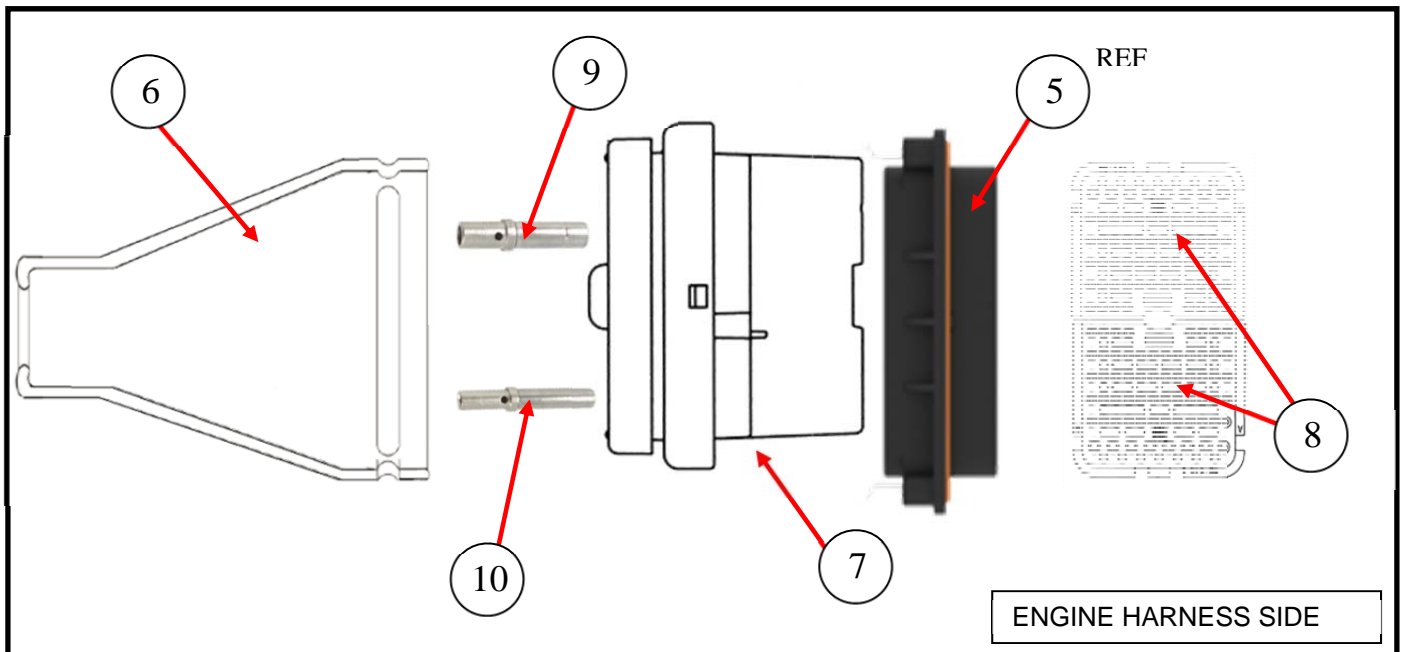
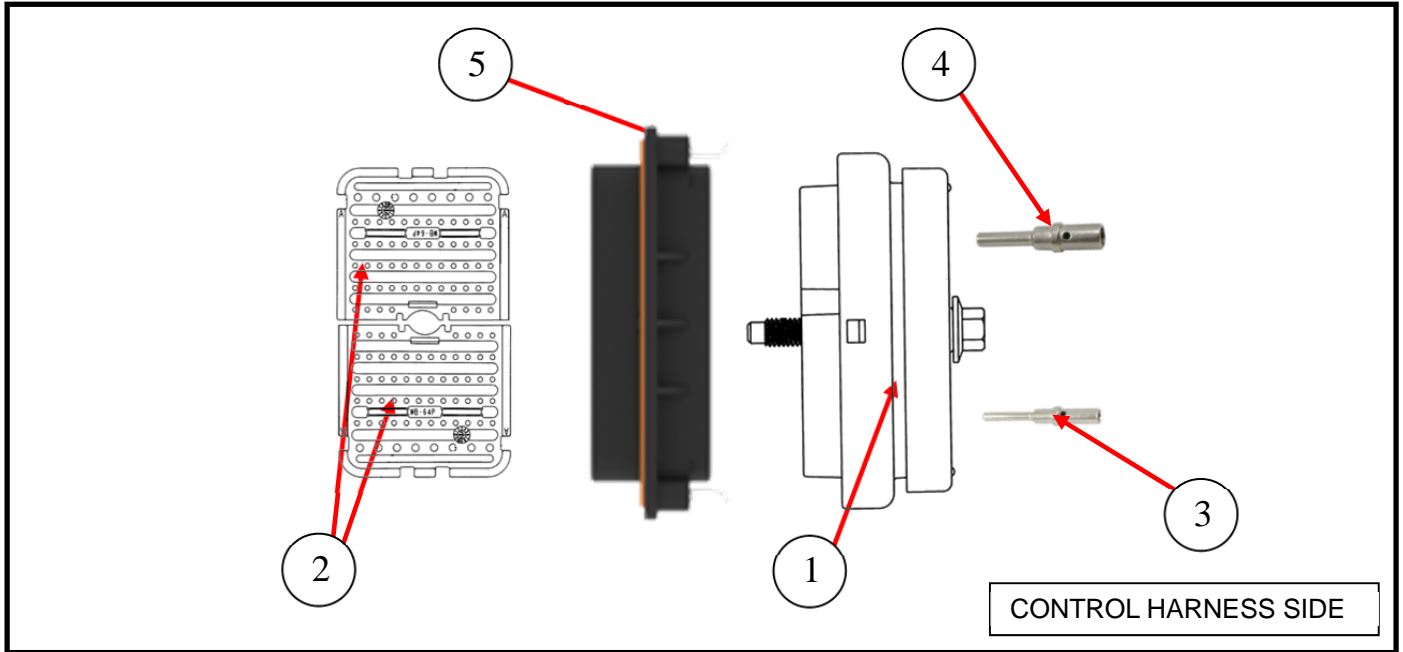
ID #	PART #	PART DESCRIPTION	QUANTITY	
1	89102	DEUTSCH DT04 PLUG, 2X2	1	EA
2	89132	DEUTSCH WEDGE LOCK FOR 89102	1	EA
3	BW10147	CONTACT PIN 16 AWG (FEMALE)	4	EA
4	89146	DEUTSCH DT04 PLUG, 2X4	1	EA
5	89209	DEUTSCH WEDGE LOCK FOR 89146	1	
6	88958	CONTACT PIN 16 AWG (MALE)	4	EA

### CAN PLUGS, CONNECTORS

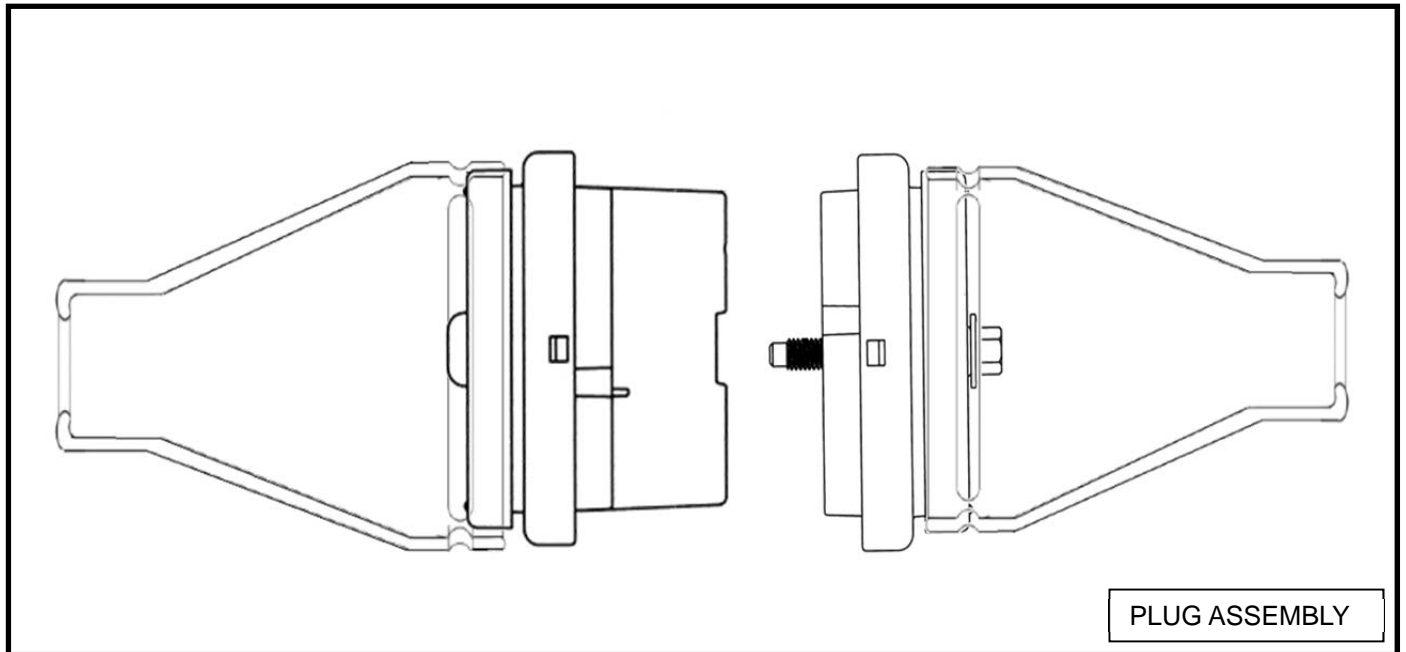


ID #	PART #	PART DESCRIPTION	QUANTITY	
1	88934	3 WAY T RECEPTICAL, DT SER.	1	EA
2	88935	3 WAY PLUG DT SER.	3	EA
3	88936	WEDGE LOCK FOR 3 WAY PLUG ( <b>GREEN</b> )	2	EA
4	88937	WEDGE LOCK FOR 3 WAY PLUG ( <b>BLUE</b> )	1	EA
5	BW10147	CONTACT SOCKETS, 16 AWG ( <b>FEMALE</b> )	9	EA
6	88932	3 WAY RECEPTACLES, FLANGE MOUNT-LE08 MOD.	1	EA
7	88938	KEYED WEDGE LOCK FOR 3 WAY RECPT. DT SERIES	1	EA
8	88958	CONTACT PIN, 16 AWG ( <b>MALE</b> )	3	EA

**DEUTSCH 128 PLUG ASSEMBLY**

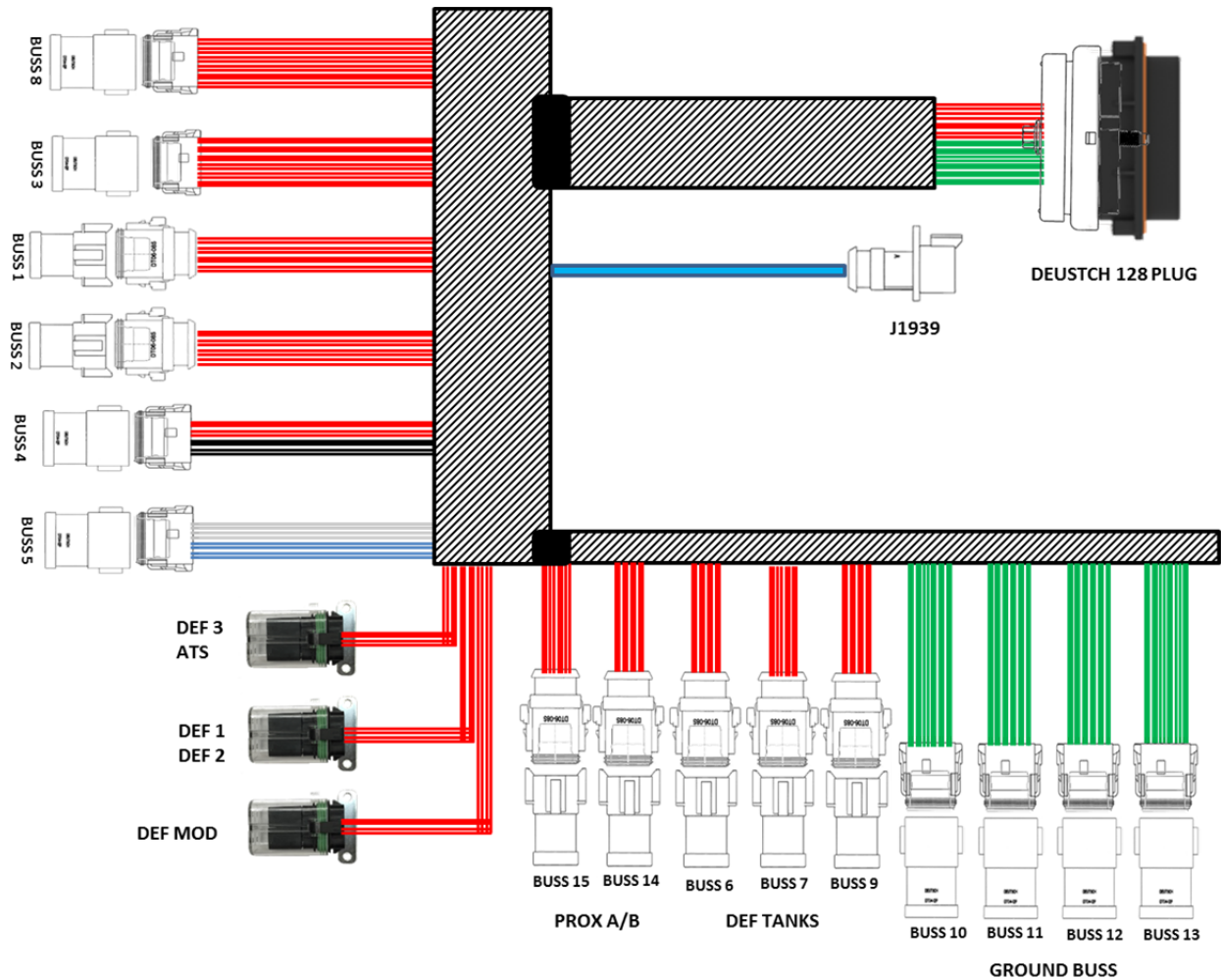


## DEUTSCH 128 PLUG ASSEMBLY CONT.

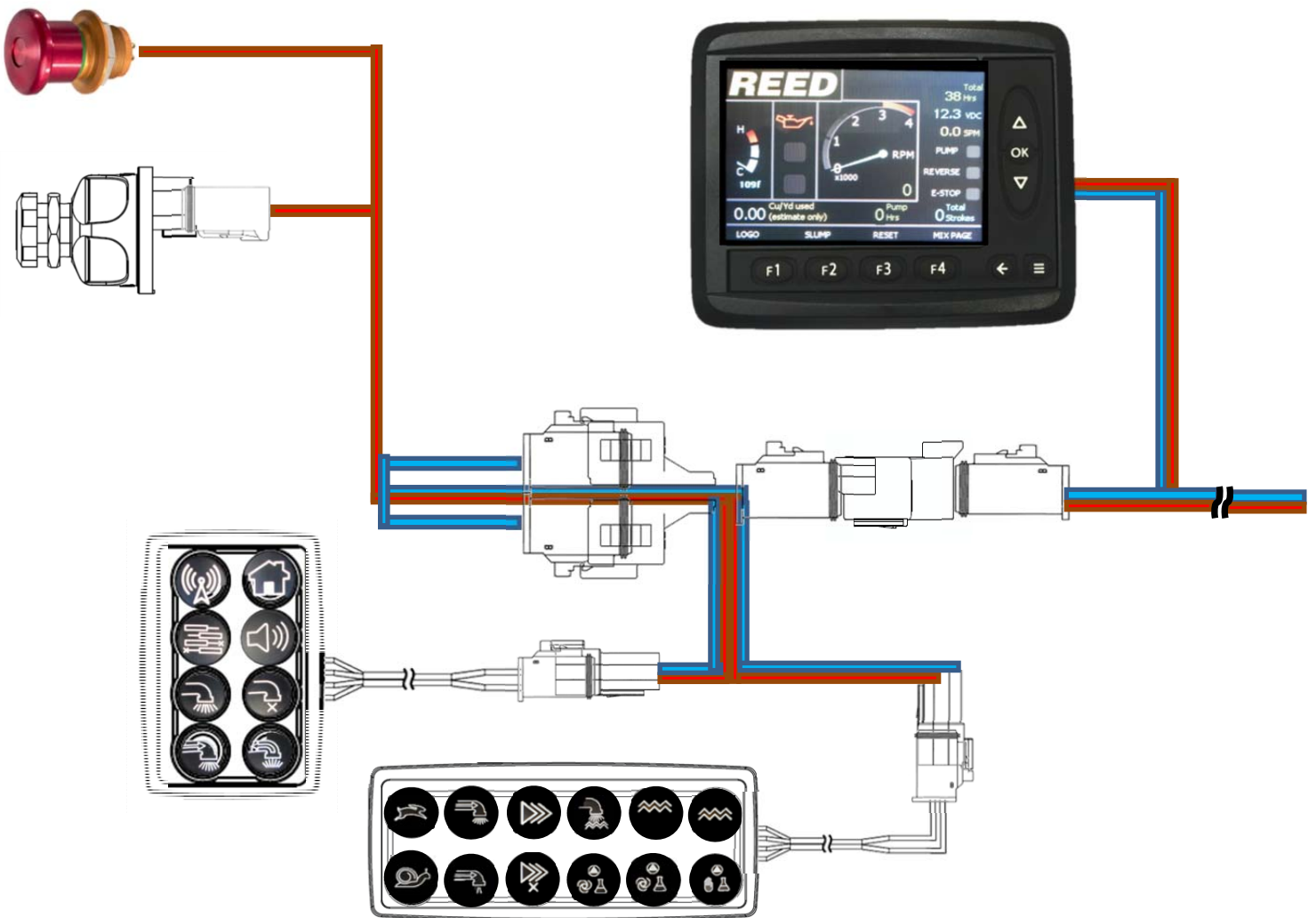


ID #	PART #	PART DESCRIPTION	QUANTITY	
1	89109	DEUTSCH RECEPTACLE 128 CONTACT, PIN	1	EA
2	89159	DEUTSCH WEDGE LOCK FOR 89157	2	EA
3	88958	CONTACT PIN SIZE 16 AWG, (MALE)	72	EA
4	87807	CONTACT PIN SIZE 12 AWG, (MALE)	16	EA
5	89158	DEUTSCH RECEPTACLE, FLANGE	1	EA
6	89109-B	DEUTSCH, BOOT COVER	1	EA
7	89157	DEUTSCH RECEPTACLE 128 CONTACT, SOCKET	1	EA
8	89116	DEUTSCH WEDGE LOCK FOR 89157	2	EA
9	87457	CONTACT SOCKET, SIZE 12 AWG, (FEMALE)	1	EA
10	BW10147	CONTACT SOCKET, SIZE 16 AWG, (FEMALE)	1	EA

## WIRE HARNESS MAIN LAYOUT

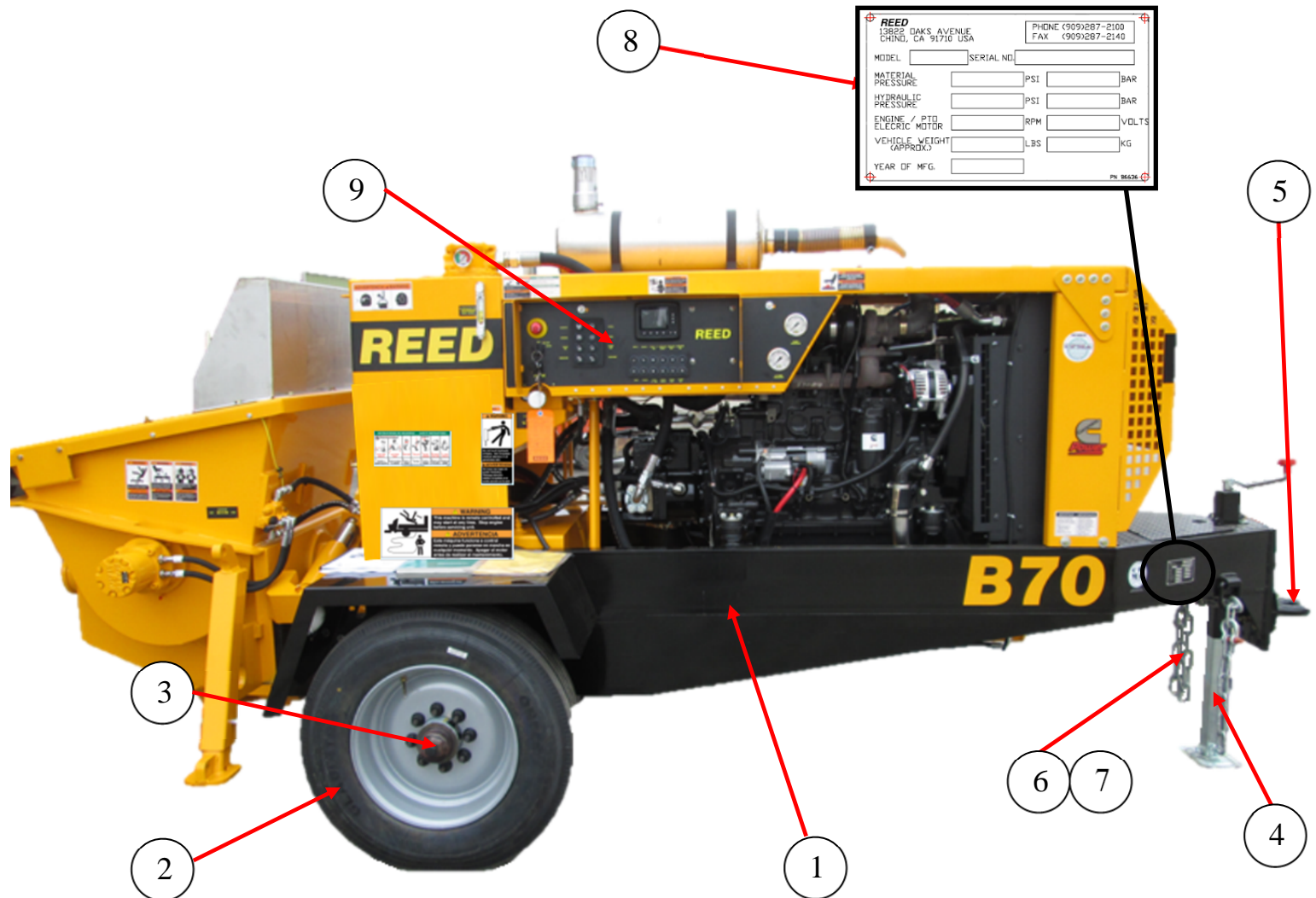


### WIRE HARNESS DOOR LAYOUT



### FRAME INSTALLATION

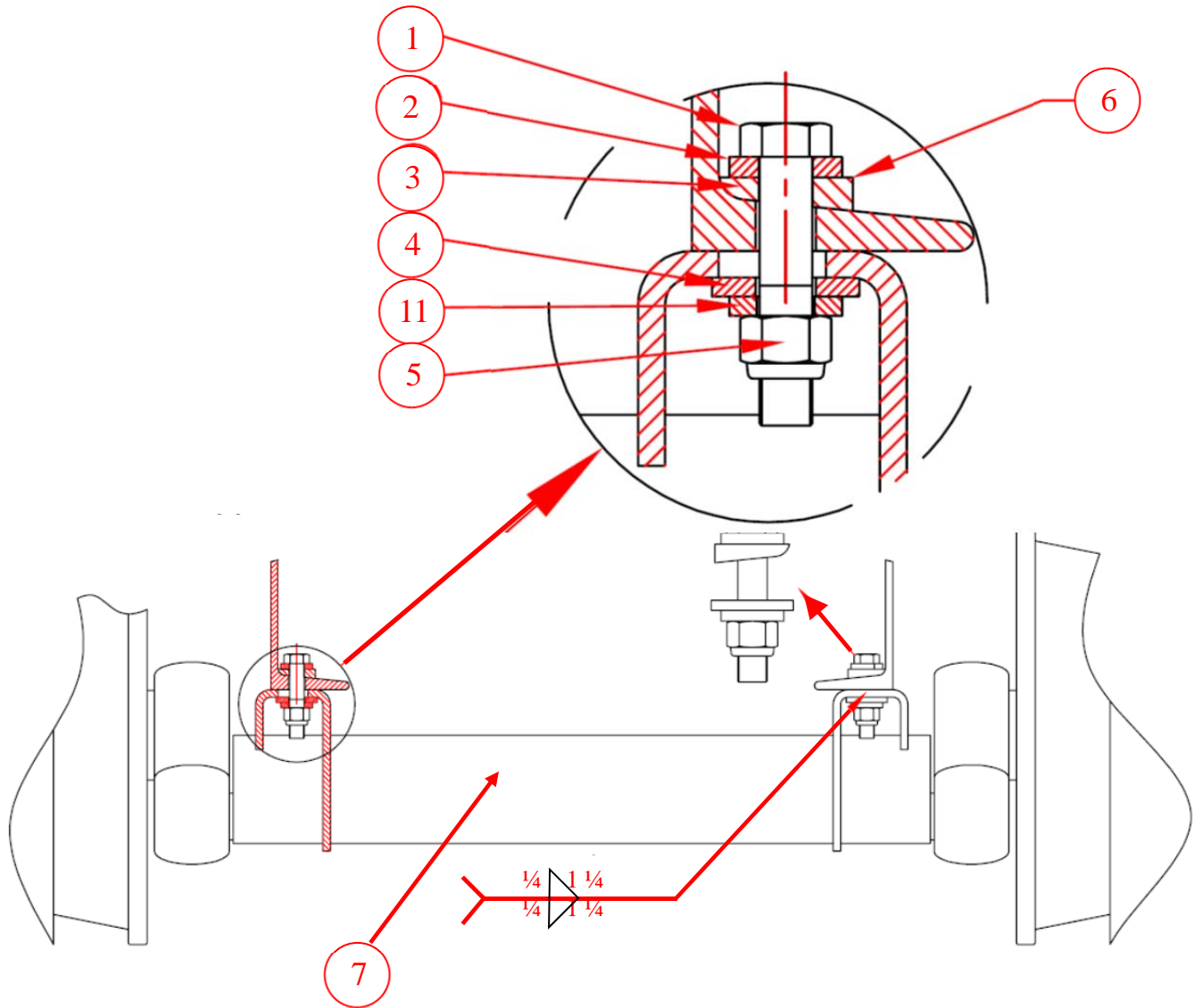
### FRAME, TIRES, JACK, AND TOW EYE



ID #	PART #	PART DESCRIPTION	QUANTITY	
	89271	FRAME ASSY B SER, 9000 LB 2016 W/CUMMINS	1	EA
1	89261	FRAME WELDMENT B SER 2007 CUMMINS	1	EA
2	86923	TIRE & WHEEL ASSY -215/75R17.5 H	2	EA
3	88033	OIL CAP KIT(QUALITY)	2	EA
4	85527	JACK WELDMENT	1	EA
5	87037	DRAW BAR	1	EA
6	86730	CHAIN-3/8 PROOF COIL GR 70 PHOSPATE	5.5	FT
7	87085	SHACKLE ANCHOR, SCREW PIN, 1/2 6600	4	EA
8	86636	SERIAL NUMBER PLATE (BLANK)	1	EA
9	89333-T3	CONTROL PANEL ASSY PLC, TIER 3	1	EA

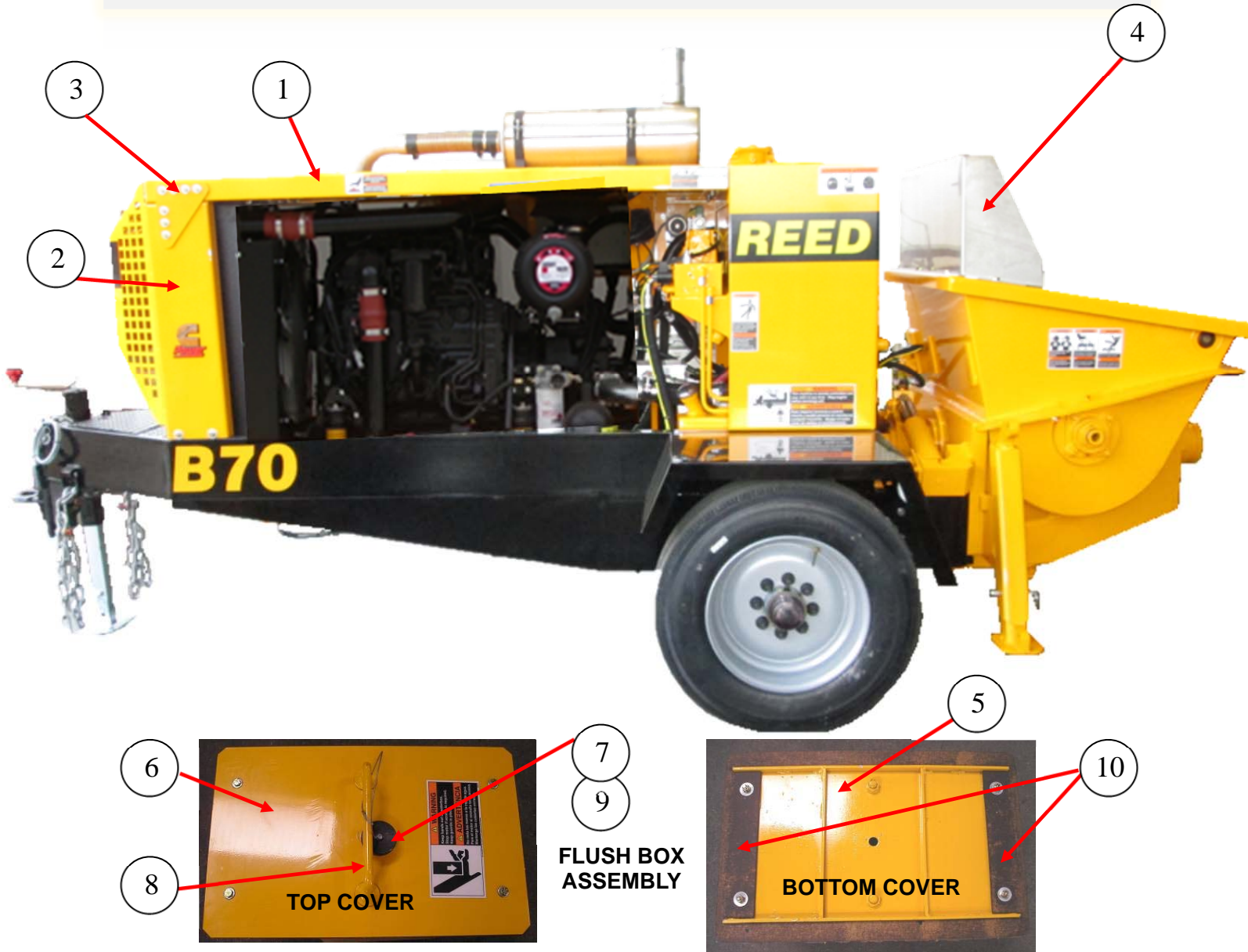


### 9000LB AXLE MOUNTING ASSEMBLY



ID #	PART #	PART DESCRIPTION	QUANTITY	
	87542	AXLE MOUNTING HARDWARE KIT	1	EA
1		1/2" -20 X 2.5 HHCS GR8	4	EA
2		1/2" SAE WASHER	8	EA
3		1/2" USE WASHER	4	EA
4		1/2" SAE WASHER	4	EA
5		1/2" - 20 LOCK NUT	4	EA
6		1/2" BEVELED WASHER	4	EA
7	86924	AXLE, TORSION, 9000 LB	1	EA

### HOOD AND COVERS

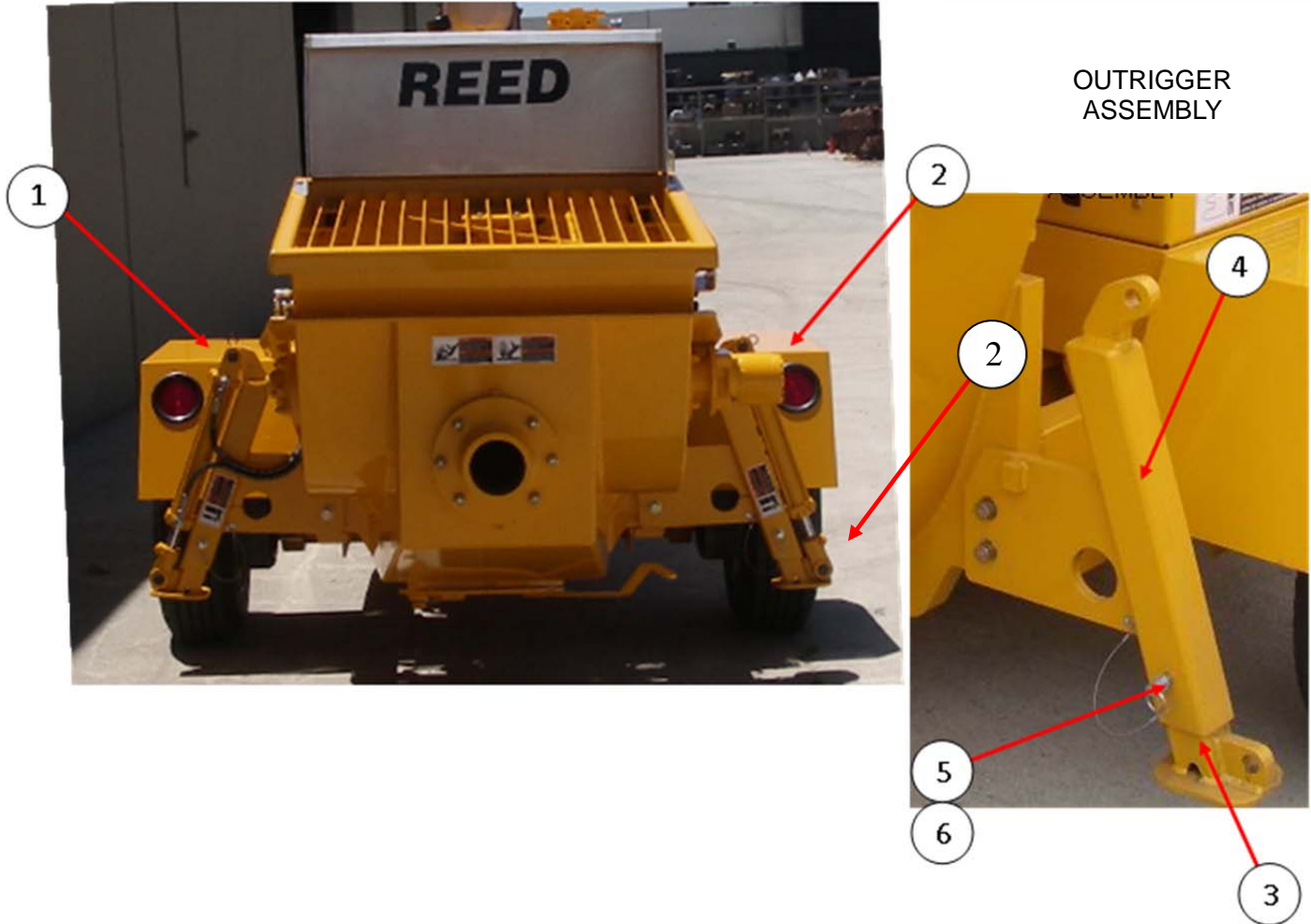


**FLUSH BOX ASSEMBLY**



ID #	PART #	PART DESCRIPTION	QUANTITY	
1	87737	COVER TOP, B SER CUMMINS PAINTED	1	EA
2	87681	COVER FRONT WELD, B SER CUM PAINTED	1	EA
3	87647	GUSSET ENGINE COVER PAINTED	2	EA
4	85390	SPLASH GUARD, B & C SERIES	1	EA
5	86106	COVER ASSY, FLUSH BOX	1	EA
6	86010	COVER WELDMENT, FLUSH BOX	1	EA
7	86105	KNOB	1	EA
8	79056	HANDLE	1	EA
9	800418	LANYARD, Q/R PIN	1	EA
10	87755	GASKET, FOR FLUSH BOX LID	1	EA

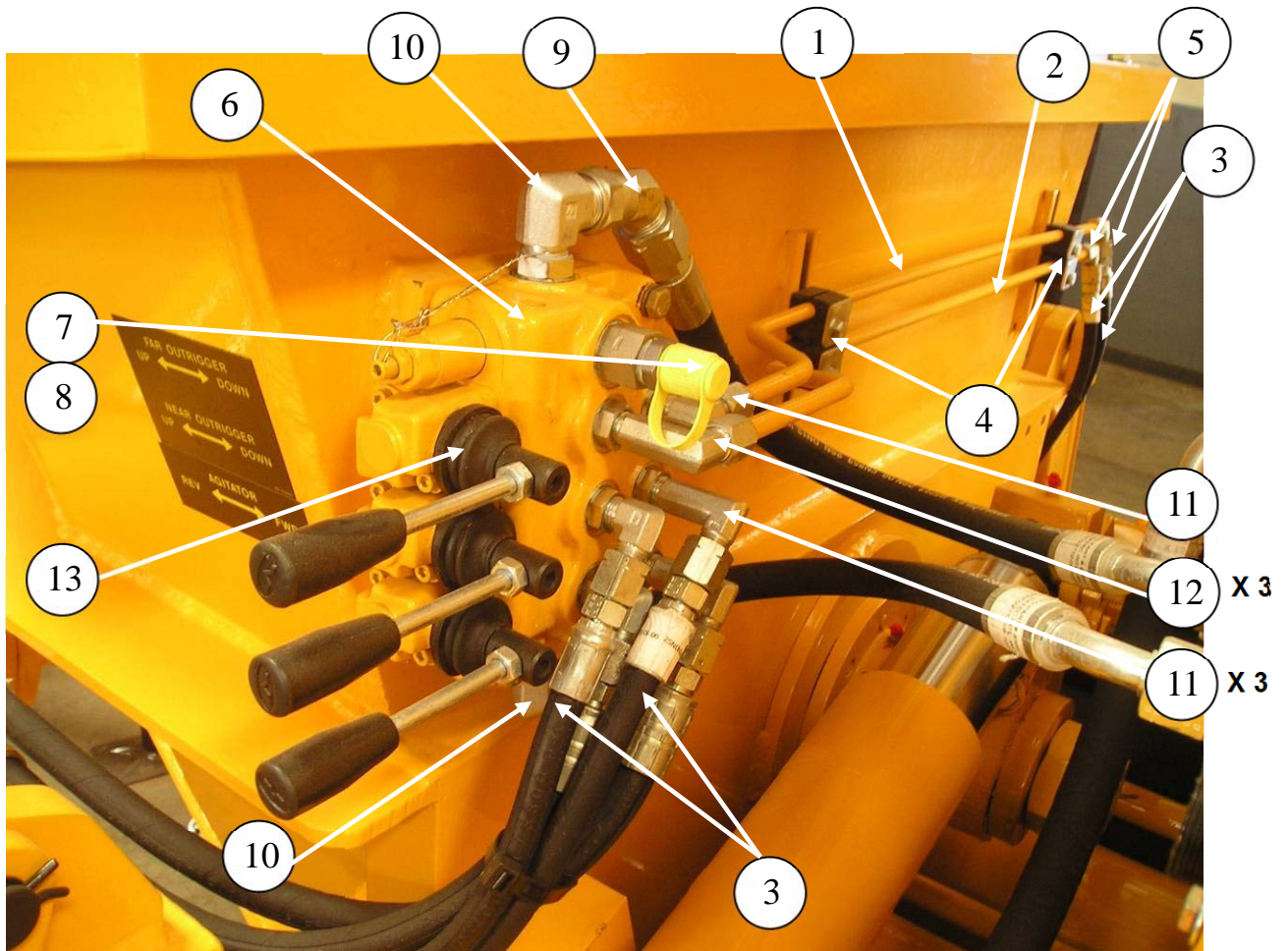
### FENDERS AND OUTRIGGERS



ID #	PART #	PART DESCRIPTION	QUANTITY	
1	86959	FENDER, RH, B SERIES PAINTED	1	EA
2	86960	FENDER, LH, B SERIES PAINTED	1	EA
3	86553	OUTRIGGER WELDMNT, INNER-PAINTED	2	EA
4	86557	OUTERTUBE, O/R B & C - PAINTED	2	EA
5	85595	PIN, Q/R, 5/8 DIA X 3 1/2 L	2	EA
6	800418	LANYARD, Q/R PIN	2	EA

### OPTIONS

### HYDRAULIC OUTRIGGER GROUP

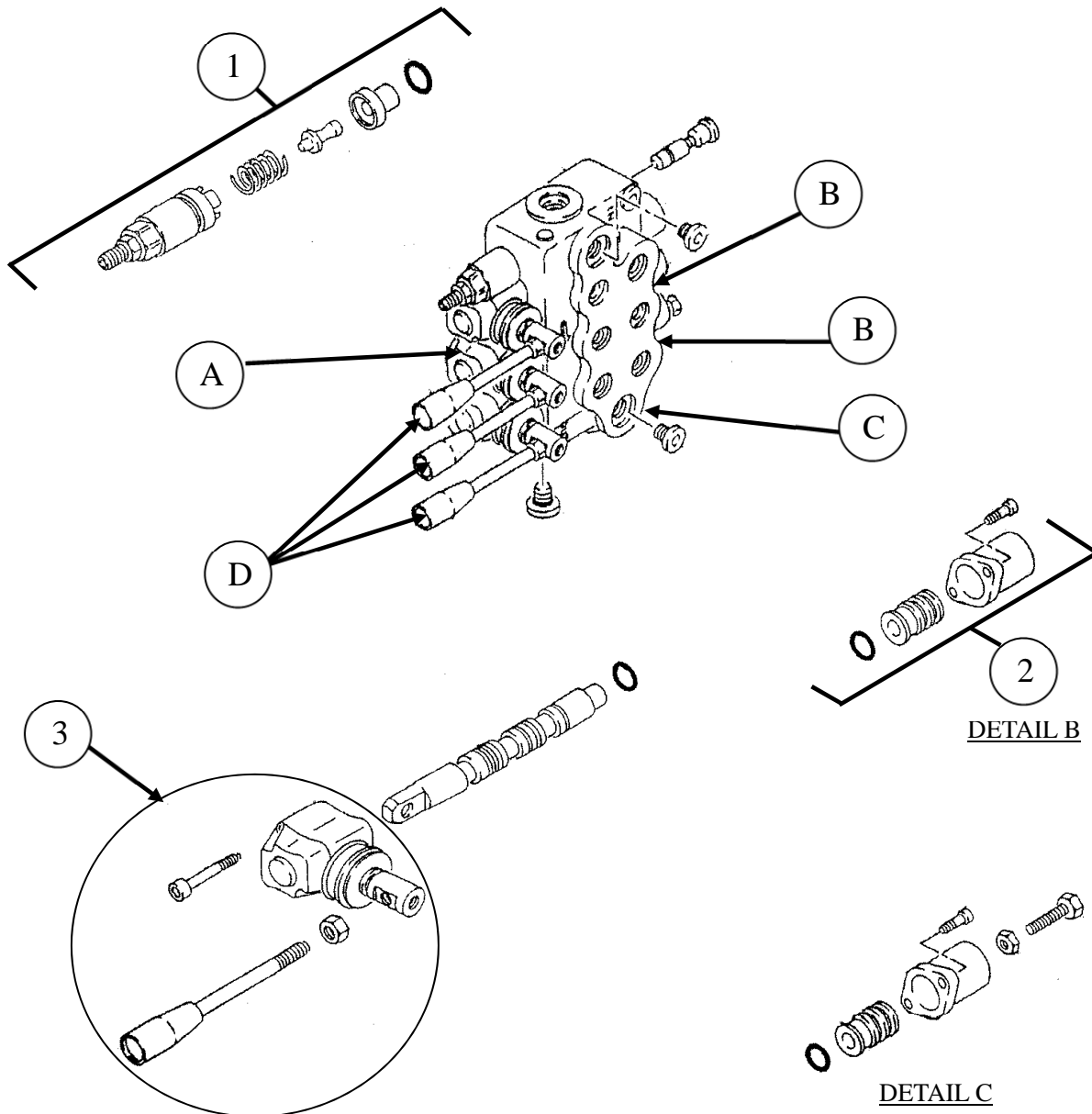


ID #	PART #	PART DESCRIPTION	QUANTITY	
	88041-O	HYD OUTRIGGER GROUP	REF	
	88041-AO	AGITATOR/OUTRIGGER GROUP	REF	
1	85685	TUBE, HYD, OUTRIGGER - PAINTED	1	EA
2	85686	TUBE, HYD, OUTRIGGER - PAINTED	1	EA
3	85659-010	HOSE, 4M2T-6FJX-6FJX-33.00	4	EA
4	801902-020	TUBE CLAMP – 3/8 IN – HALF	4	EA
5		MJ-MJ90-6-6	2	EA
6	74471	VALVE, MAUNAL-3 SPOOL	1	EA
7	800083	FITTING, MINI CHECK (PORT)	1	EA
8	86750	ADAPTER, MB-FB-8-6	1	EA
9	86749	FITTING, MJ-FJX45-10-10	1	EA
10	86746	FITTING, 90° MB-MJ-90-8-10	2	EA
11	86748	FITTING, 90° MB-MJ90-6-6	3	EA
12	86747	FITTING, 90° MB-MJ90LL-6-6	3	EA
13	74471-B	BOOT, COVER	3	EA

### OPTIONS

## 3 SPOOL CONTROL VALVE

DETAIL A



ID #	PART #	PART DESCRIPTION	QUANTITY	
1	85706	RELIEF, CARTRIDGE	1	EA
2	74469	DETENT KIT, #11 WALVOIL VALVE	A/R	EA
3	74471-020	VALVE ACTUATOR FOR 74471, 74585, 74584 VALVES	A/R	EA

### OPTIONS

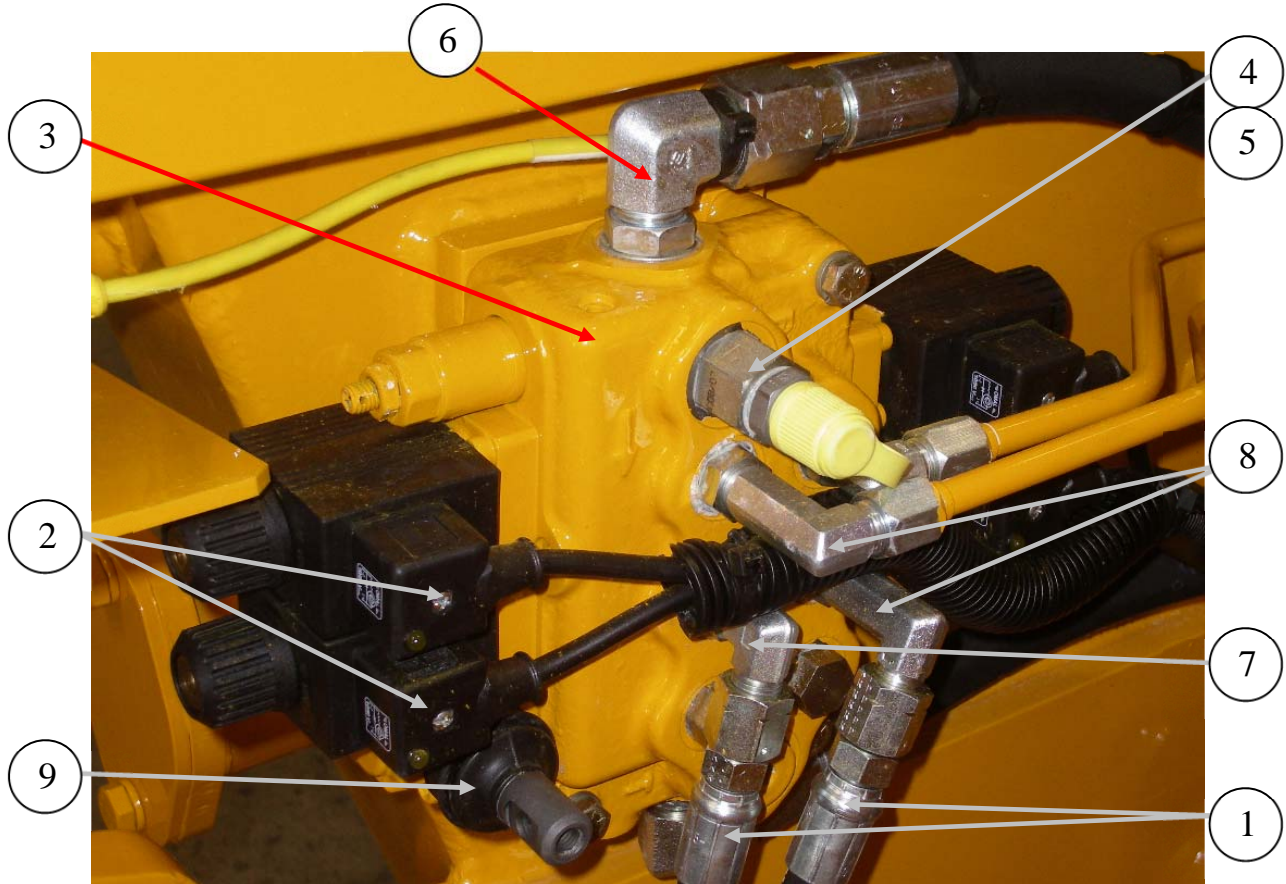
#### HYDRAULIC OUTRIGGER GROUP



ID #	PART #	PART DESCRIPTION	QUANTITY	
1	86574	HYD CYL – 2.00 BORE X 12.00 STR – PAINTED	2	EA
2	85659-010	HOSE, 4M2T-6FJX-6FJX-33.00	REF	EA
3	86728-008	FITTING, 90° MB-MJ90-8-6	4	EA

## OPTIONS

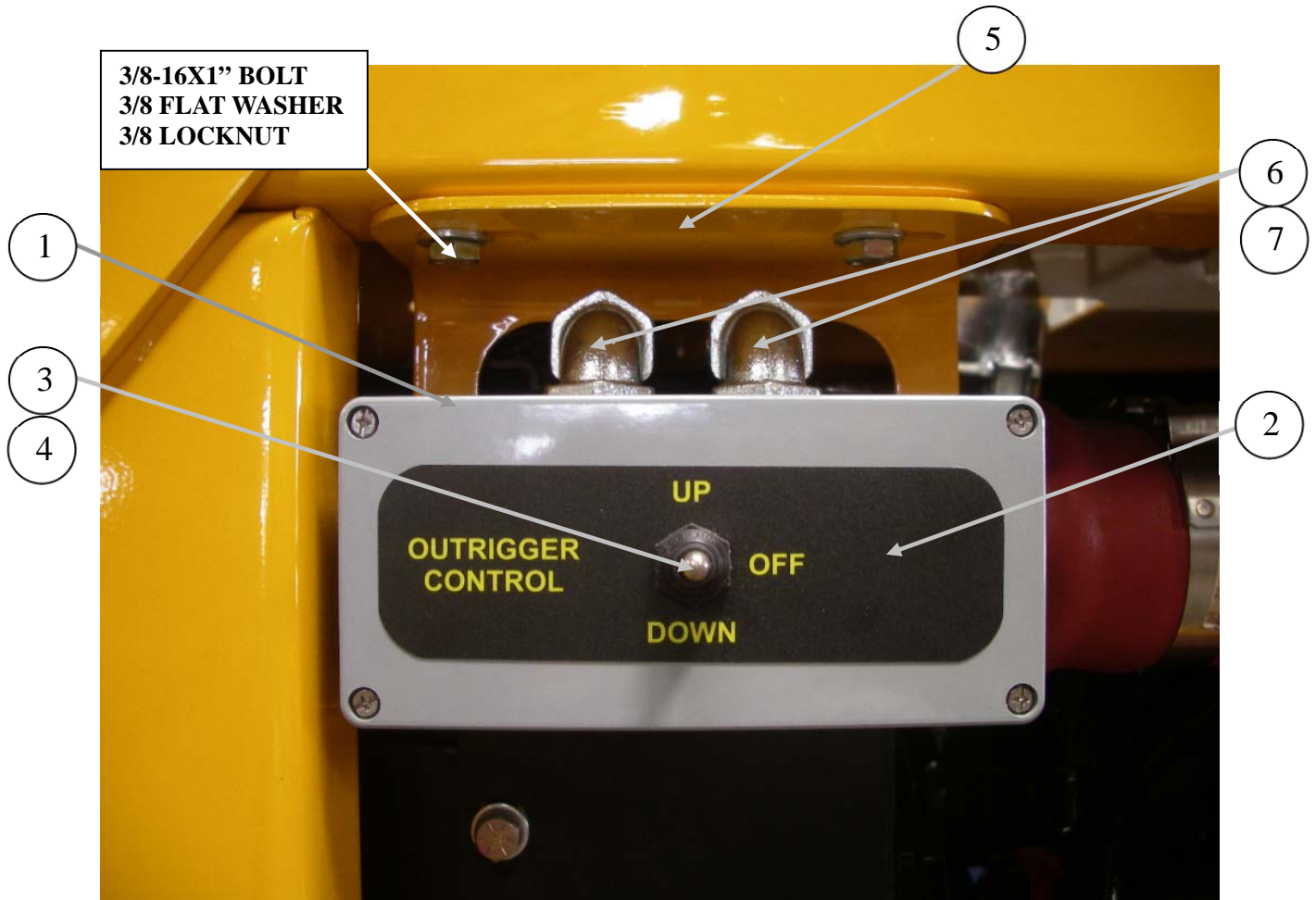
### ELECTRIC HYDRAULIC OUTRIGGER



ID #	PART #	PART DESCRIPTION	QUANTITY	
	88041-AO1	HYD OUTRIGGER ASSEMBLY, REMOTE	REF	
1	85659-010	HOSE, 4M2T-6FX-6JX-33.00	2	EA
2	87540	CABLE SOLENIOD VALVE, WITH DIN PLUG	4	EA
3	88026	VALVE, 3SPOOL, 2EA. VDC SPOOL	1	EA
4	800083	FITTING, MINI CHECK (PORT)	1	EA
5	86750	ADAPTER, MB-FB-8-6	1	EA
6	86749	FITTING, MJ-FJX45-10-10	1	EA
7	86748	FITTING, 90° MB-MJ90-6-6	3	EA
8	86747	FITTING.90° MB-MJ90LL-6-6	3	EA
9	74471-B	BOOT, COVER	3	EA

## OPTIONS

### ELECTRIC HYDRAULIC OUTRIGGER CONTROLS

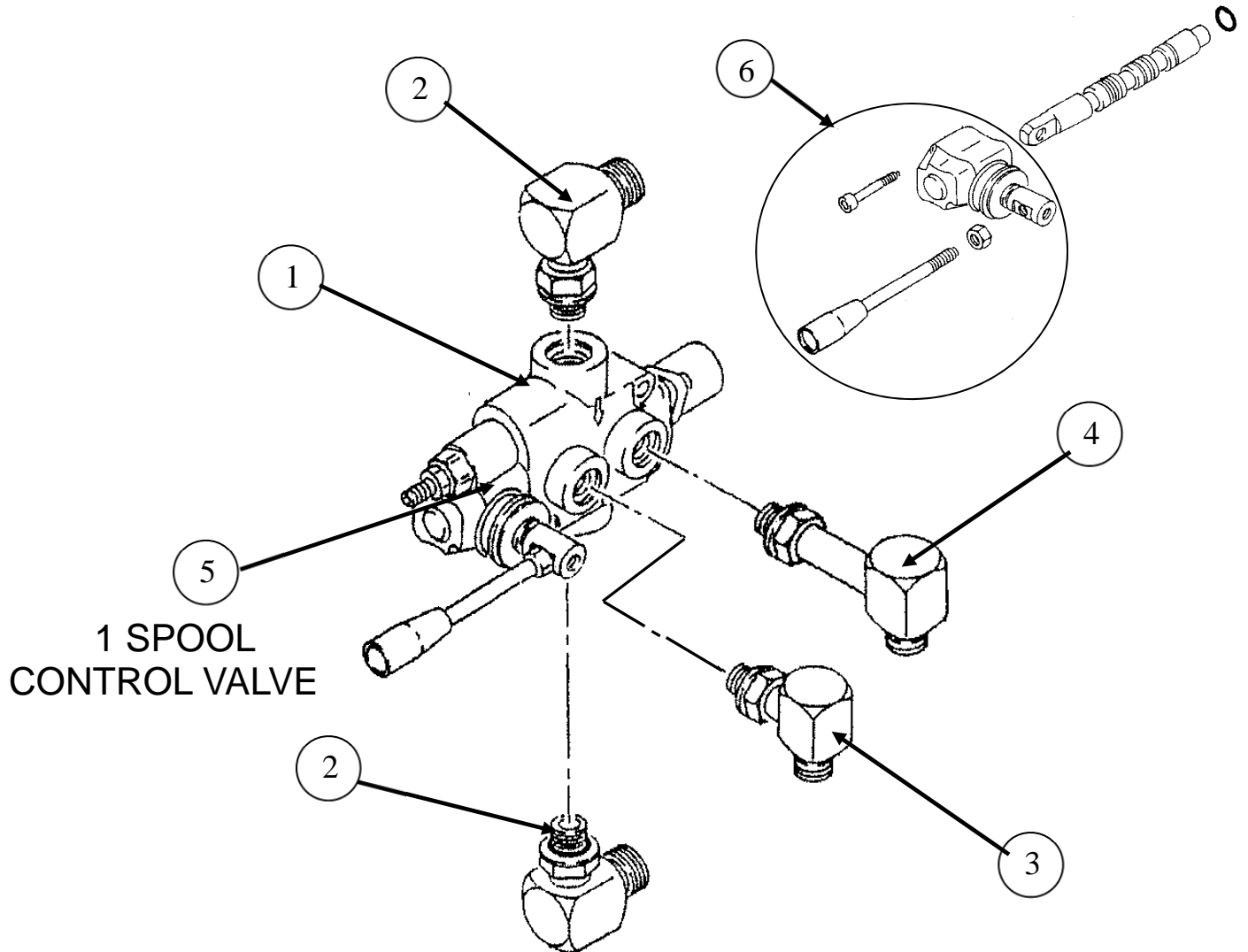


ID #	PART #	PART DESCRIPTION	QUANTITY	
1	801206	ENCLOSURE 6X3X3, FIBERGLASS	2	EA
2	88163	DECAL OUTRIGGER UP/DOWN	2	EA
3	BW10205	SWITCH, 3 POSITION MOM/SPDT	2	EA
4	BW10361	SW, SEALING BOOT	2	EA
5	88164-A	BRACKET OUTRIGGER CONTROL MOUNT	2	EA
6	73531	90° STRAIN RELIEF	4	EA
7	10528	NUT 1/2", BONDING TYPE LOCK	4	EA



### OPTIONS

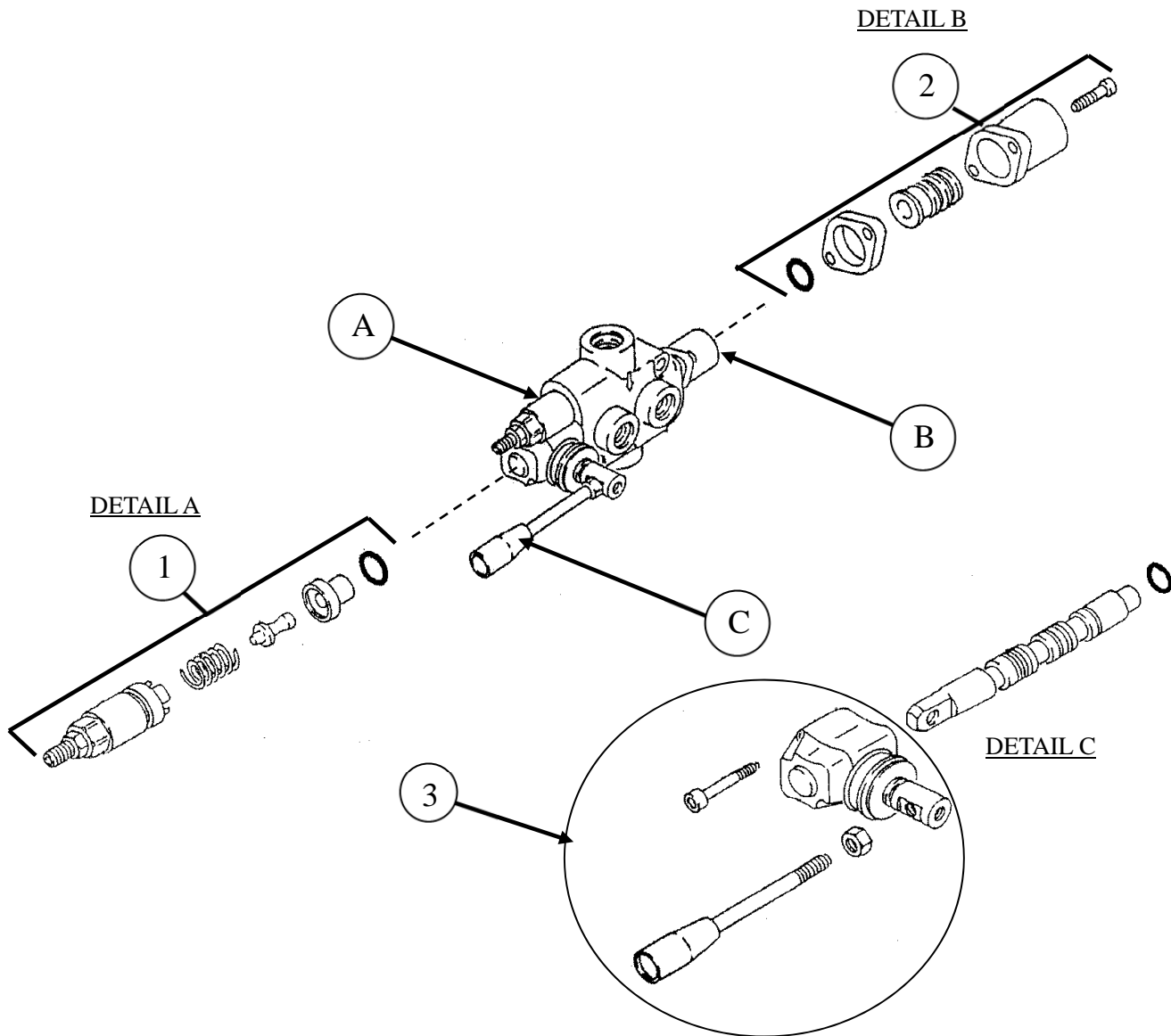
#### AGITATOR GROUP



ID #	PART #	PART DESCRIPTION	QUANTITY	
1	74584	VALVE, MAUNAL-1 SPOOL	1	EA
2	86746	FITTING, 90° MB-MJ-90-8-10	2	EA
3	86748	FITTING, 90° MB-MJ90-6-6	1	EA
4	86747	FITTING, 90° MB-MJ90LL-6-6	3	EA
5	74471-B	BOOT, COVER	1	EA
6	74471-020	VALVE ACTUATOR FOR 74471, 74585, 74584 VALVES	A/R	EA

### OPTIONS

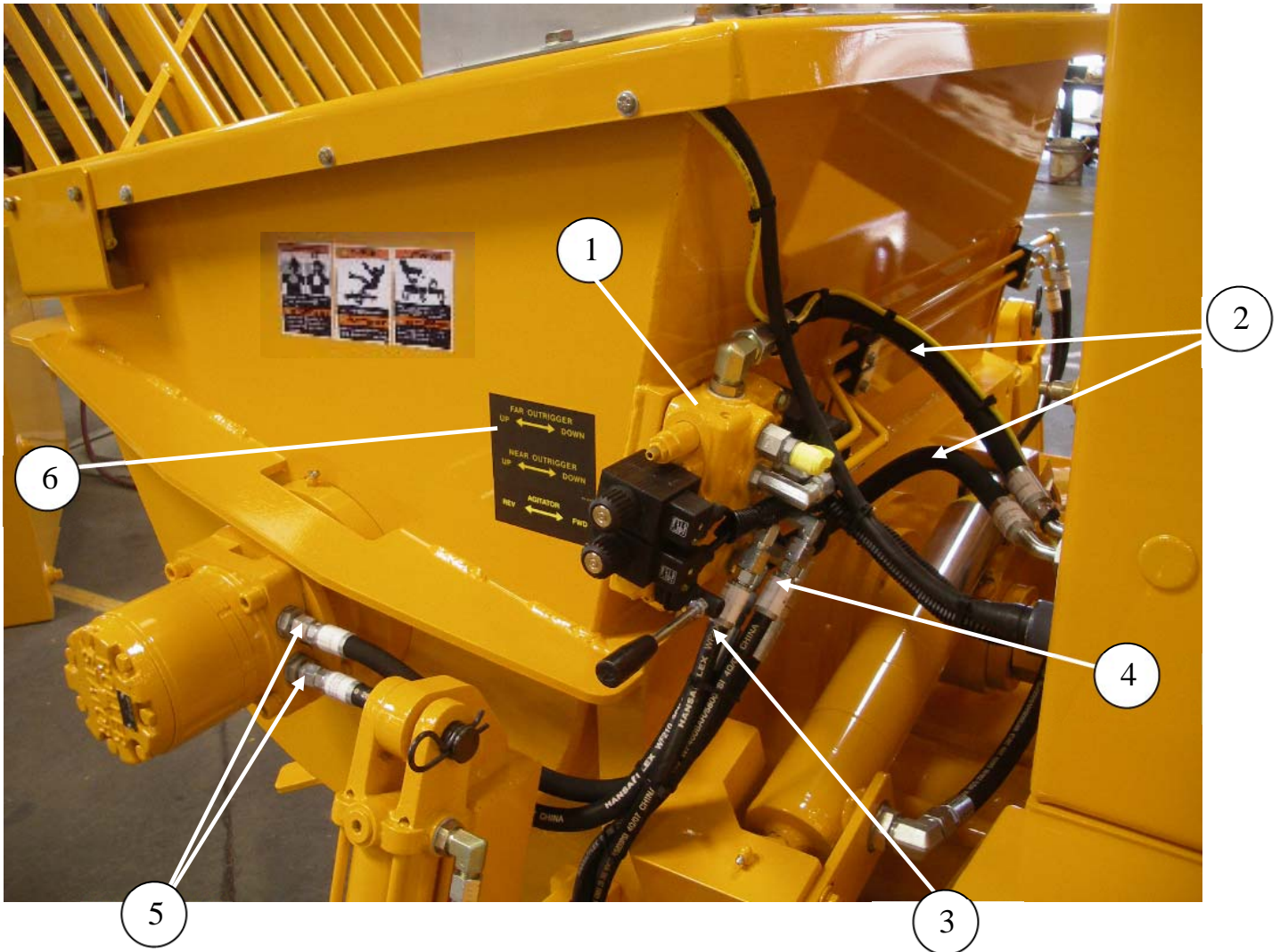
### 1 SPOOL AGITATOR VALVE



ID #	PART #	PART DESCRIPTION	QUANTITY	
1	85706	RELIEF, CARTRIDGE	1	EA
2	74469	DETENT KIT, #11 WALVOIL VALVE	A/R	EA
3	74471-020	VALVE ACTUATOR FOR 74471, 74585, 74584 VALVES	A/R	EA

### OPTIONS

### AGITATOR GROUP CONTINUED



ID #	PART #	PART DESCRIPTION	QUANTITY	
1	88026	VALVE, ELECTRIC-3 SPOOL VDC ( <b>OPTION SHOWN</b> )	REF	EA
2	85657-016	HOSE, 8M2T-10FJX-10FJX45-20.00	2	EA
3	85658-011	HOSE, 6M2T-6FJX-6FJX-21.00	1	EA
4	85658-010	HOSE, 6M2T-6FJX-6FJX-20.00	1	EA
5		FITTING,MB-MJ-10-6	2	EA
6	85845	DECAL, OUTRIGGERS	2	EA

## AVAILABLE OPTIONS

OUTRIGGER GROUP  
HYD OUTRIGGER  
OUTRIGGER/AGITATOR  
ELECTRIC OUTRIGGER



AGITATOR GROUP  
STD/PADDLE  
OPTION/PADDLE  
HYD/AGITATOR/SINGLE  
HYD/AGITATOR/TRIPLE



## RADIO REMOTE



50' CABLE REMOTE  
W/STROKE  
COUNTER



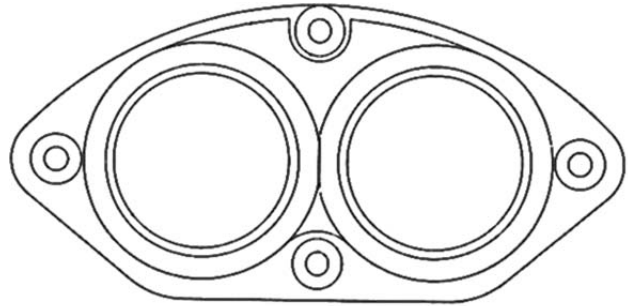
WIRELESS  
REMOTE 900 MHZ  
PNUT SYSTEM



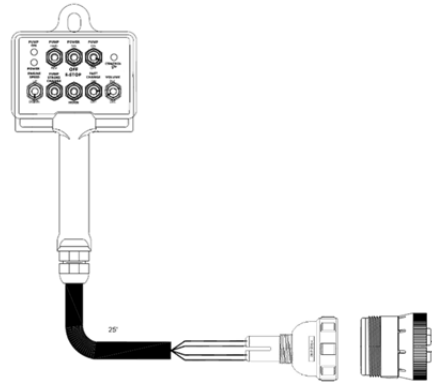
## LIFTING KIT



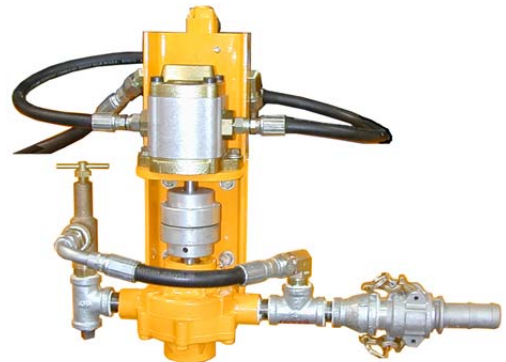
CARBIDE WEAR PARTS  
WEAR RING/CARBIDE  
WEAR PLATE/CARBIDE



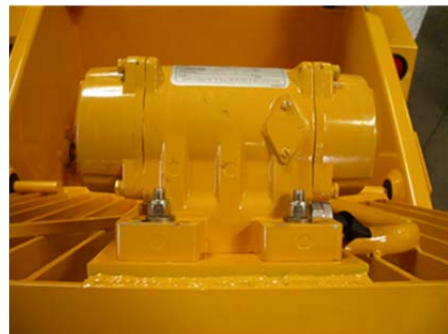
REMOTE CONTROL, CABLE  
KARTECH PLC 50FT



WATER PUMP WASH PUMP INSTALL  
WASH PUMP ASSY



VIBRATOR  
COUGAR  
VIBCO



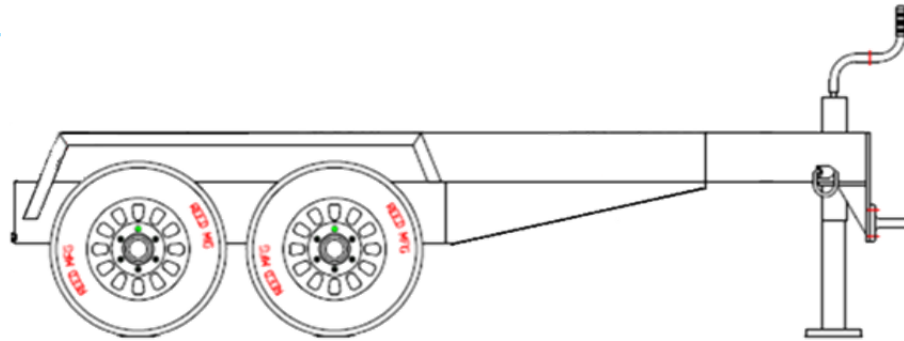


# B70HPD PLC

## PARTS

13822 Oaks Avenue  
Chino, CA 91710  
reedpumps.com  
(909) 287 - 2100

### DUAL AXLE



### TIRE & WHEEL ALUMINUM 9000 LB



### AUTO LUBE STEEL TUBING 12 PORT PLASTIC TUBING 12 PORT

### MANUAL LUBE BLOCK

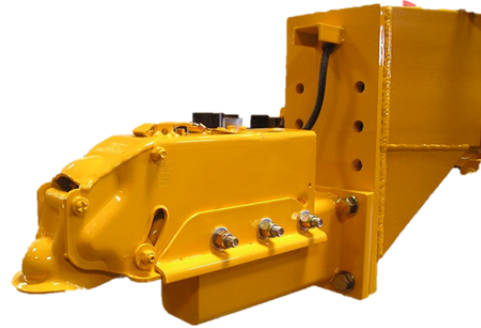




# B70HPD PLC PARTS

13822 Oaks Avenue  
Chino, CA 91710  
reedpumps.com  
(909) 287 - 2100

SURGE BRAKE ASSY 9000LB  
2" BALL



3" PINTLE



HITCH BALL  
2"  
2 5/16"

