



# B50v08 B50HPv08

## PARTS

13822 Oaks Avenue  
Chino, CA 91710  
reedpumps.com  
(909) 287 - 2100

|                                                |    |
|------------------------------------------------|----|
| <b>PARTS</b> .....                             | 3  |
| PUMPING TRAIN ASSEMBLY .....                   | 1  |
| S-TUBE .....                                   | 5  |
| 5" OUTLET ASSEMBLY .....                       | 5  |
| 5" OUTLET SEAL KIT INSTALLATION .....          | 6  |
| WEAR PLATE ASSEMBLY .....                      | 1  |
| 6" PISTON CUP ASSEMBLY .....                   | 8  |
| DRIVE CYLINDER ASSEMBLY .....                  | 9  |
| SINGLE SHIFT BELL CRANK ASSEMBLY .....         | 10 |
| SINGLE SHIFT SWING CYLINDER ASSEMBLY .....     | 11 |
| DUAL SHIFT BELL CRANK ASSEMBLY .....           | 12 |
| DUAL SHIFT CYLINDER ASSEMBLY .....             | 13 |
| DUAL SHIFT ASSEMBLY .....                      | 14 |
| HOPPER .....                                   | 15 |
| AGITATOR ASSEMBLY .....                        | 15 |
| SAFETY GRATE .....                             | 17 |
| CLEAN OUT DOOR ASSEMBLY .....                  | 19 |
| POWER TRAIN .....                              | 20 |
| ENGINE, PUMPS, AND FILTERS .....               | 20 |
| FITTINGS .....                                 | 22 |
| EXHAUST .....                                  | 23 |
| TANKS .....                                    | 24 |
| FUEL TANK ASSEMBLY .....                       | 24 |
| HYDRAULIC TANK ASSEMBLY .....                  | 25 |
| MANIFOLDS .....                                | 27 |
| DRIVE CYLINDER CIRCUIT MANIFOLD ASSEMBLY ..... | 27 |
| S-TUBE CIRCUIT MANIFOLD ASSEMBLY .....         | 29 |
| ACCUMULATOR ASSEMBLY .....                     | 31 |
| ELECTRICAL GROUP .....                         | 32 |
| BATTERY .....                                  | 32 |
| PROXIMITY SWITCHES .....                       | 33 |
| STARTER AND ALTERNATOR .....                   | 34 |
| TRAILER HARNESS AND BREAKAWAY .....            | 35 |
| TAIL LIGHTS .....                              | 36 |
| WIRING HARNESS .....                           | 37 |
| CONTROLS .....                                 | 38 |
| B-SERIES CONTROL BOX .....                     | 38 |
| CONTACT BLOCKS .....                           | 39 |
| RELAYS AND FUSES .....                         | 40 |
| CONNECTOR .....                                | 41 |
| 50 FT CABLE REMOTE .....                       | 42 |
| FRAME INSTALLATION .....                       | 43 |
| FRAME, TIRES, JACK, AND TOW EYE .....          | 43 |
| 9000LB AXLE MOUNTING ASSEMBLY .....            | 44 |
| HOOD AND COVERS .....                          | 45 |



# B50v08 B50HPv08

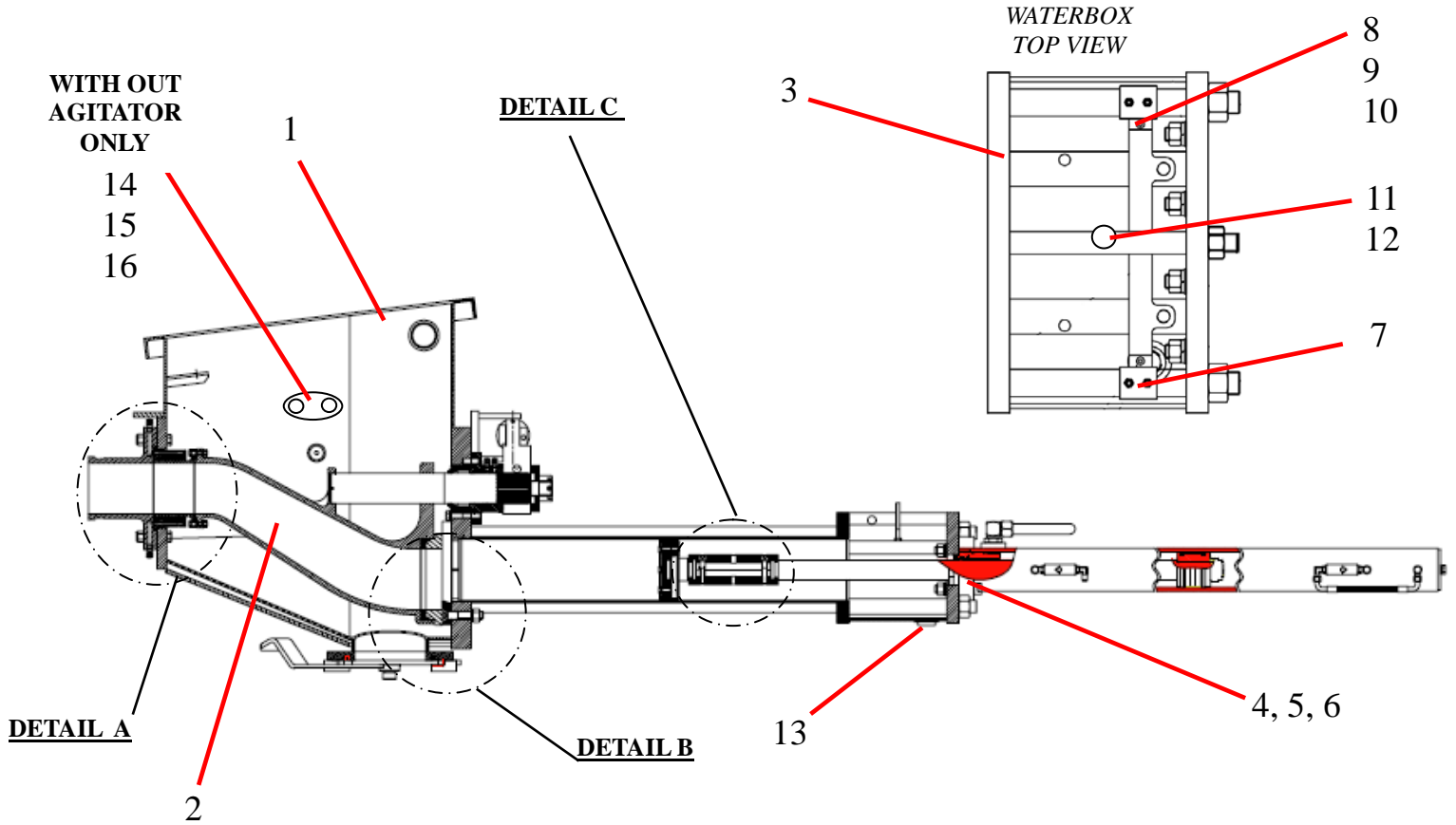
## PARTS

13822 Oaks Avenue  
Chino, CA 91710  
reedpumps.com  
(909) 287 - 2100

---

|                                                  |    |
|--------------------------------------------------|----|
| FENDERS AND OUTRIGGERS .....                     | 46 |
| CONTROL BOX MOUNT .....                          | 47 |
| OPTIONS .....                                    | 48 |
| LUBE BLOCK .....                                 | 48 |
| AUTOLUBE PUMP (PLASTIC TUBING).....              | 49 |
| HYDRAULIC OUTRIGGER GROUP .....                  | 51 |
| 3 SPOOL CONTROL VALVE .....                      | 52 |
| HYDRAULIC OUTRIGGER GROUP.....                   | 53 |
| ELECTRIC HYDRAULIC OUTRIGGER CONTROLS .....      | 55 |
| AGITATOR GROUP .....                             | 56 |
| 1 SPOOL AGITATOR VALVE .....                     | 57 |
| VIBRATOR (COUGAR).....                           | 59 |
| VIBRATOR VIBCO.....                              | 60 |
| RADIO REMOTE KIT (KAR-TECH) .....                | 61 |
| RADIO REMOTE KIT (OMNEX) .....                   | 62 |
| ALUMINUM WHEEL AND TIRE.....                     | 63 |
| 50 FT STROKE COUNTER CABLE REMOTE ASSEMBLY ..... | 64 |
| HYDRAULIC SURGE BRAKES.....                      | 65 |
| HYDRAULIC SURGE BRAKE (2 INCH BALL).....         | 66 |
| HYDRAULIC SURGE BRAKES (3 INCH EYE).....         | 67 |
| LIFTING EYE KIT .....                            | 68 |
| WATER PUMP .....                                 | 69 |
| CARBIDE WEAR PLATE .....                         | 1  |

### PARTS PUMPING TRAIN ASSEMBLY



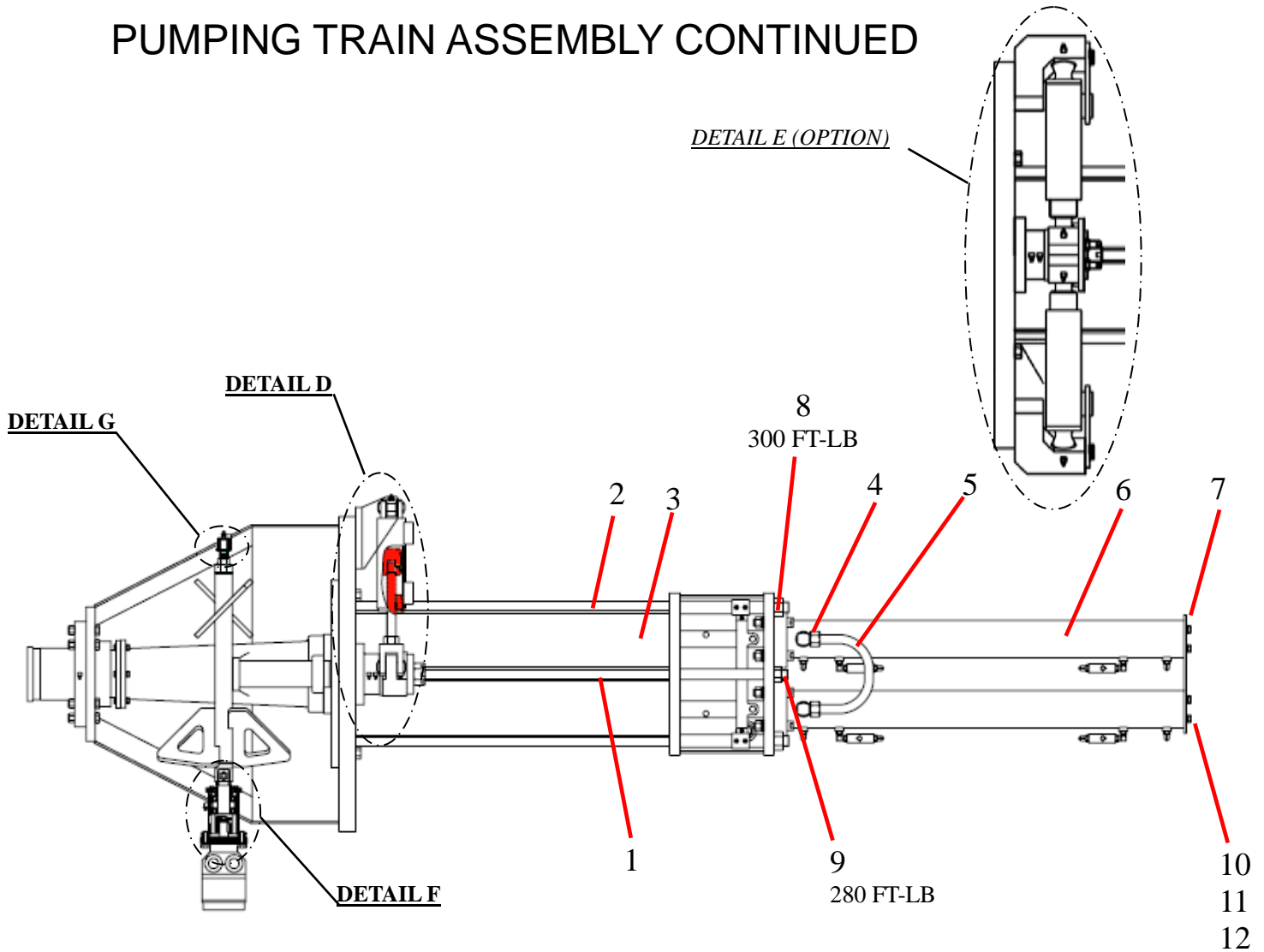
| ID # | PART #  | PART DESCRIPTION                      | QUANTITY |    |
|------|---------|---------------------------------------|----------|----|
|      | 88002-1 | SINGLE SHIFT PUMPING TRAIN ASSEMBLY   | 1        | EA |
| 1    | 86107A  | HOPPER WELDMENT, 6" STD SAFETY SWITCH | 1        | EA |
| 2    | 86984   | S TUBE WLD, 6X5 SELL                  | 1        | EA |
| 3    | 86093   | FLUSH BOX WELDMENT, 6 IN              | 1        | EA |
| 4    |         | SHCS 3/4 - 10X5" GR 8                 | 8        | EA |
| 5    |         | HEX NUT, 3/4 - 10                     | 12       | EA |
| 6    |         | LOCK WASHER 3/4"                      | 13       | EA |
| 7    | 86006   | BRACKET, PROX SWITCH                  | 1        | EA |
| 8    | 86752   | HHCS, 1/4 -20X3/4" GR 8               | 6        | EA |
| 9    |         | LOCK WASHER, 1/4"                     | 2        | EA |
| 10   |         | FLAT WASHER, 1/4"                     | 2        | EA |
| 11   | 86665   | STUD, 3/8-16X3" LONG                  | 1        | EA |
| 12   | 80072   | LOCKWASHER-3/8"                       | 1        | EA |
| 13   | 10282   | PLUGS-PIPE GALV 1"                    | 1        | EA |
| 14   | 73434   | COVER PLATE-REMIX (INSIDE)            | 1        | EA |
| 15   | 73433   | COVER PLATE-REMIX (OUTSIDE)           | 1        | EA |
| 16   | 86623   | SEAL, AGITATOR (INSIDE)               | 1        | EA |



# B50v08 B50HPv08 PARTS

13822 Oaks Avenue  
Chino, CA 91710  
reedpumps.com  
(909) 287 - 2100

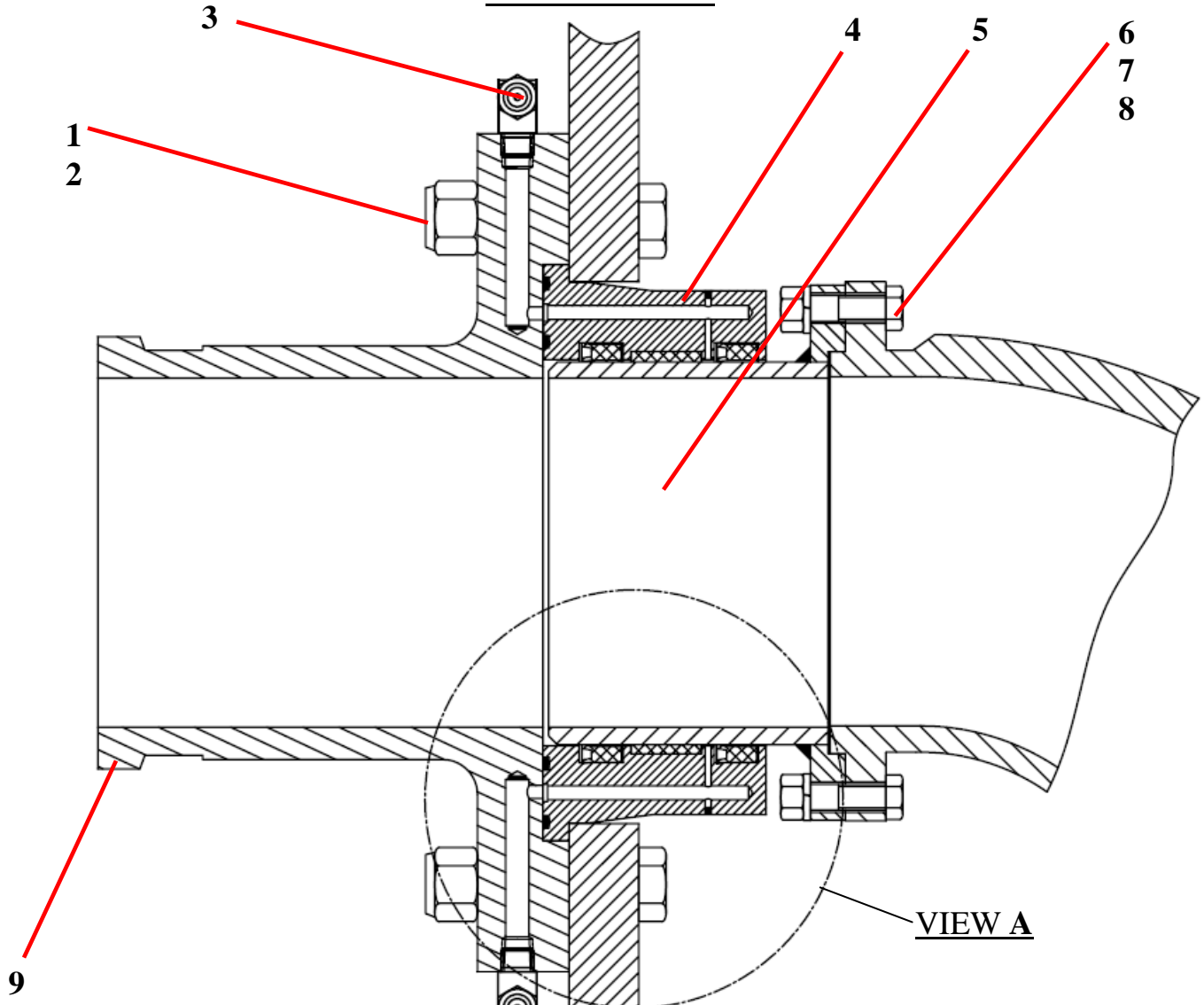
## PUMPING TRAIN ASSEMBLY CONTINUED



| ID # | PART # | PART DESCRIPTION                           | QUANTITY |    |
|------|--------|--------------------------------------------|----------|----|
| 1    | 86047  | TIE ROD, 1" X 51½"                         | 2        | EA |
| 2    | 86046  | TIE ROD, 1¼" X 51½"                        | 4        | EA |
| 3    | 86148  | CONCRETE CYLINDER, 6 X 36                  | 2        | EA |
| 4    |        | ELBOW, MB – MJ-16-16                       | 2        | EA |
| 5    | 85427  | TUBE, HYD, LOOP LINE                       | 1        | EA |
| 6    | 86223A | DRIVE CYLINDER -3.50 X 2.00 X 35.75 (JARP) | 2        | EA |
| 7    | 86544  | END PLATE - DRIVE CYLINDER- PAINTED        | 1        | EA |
| 8    |        | HEX, NUT 1 ¼" -12                          | 4        | EA |
| 9    |        | HEX NUT, 1" -12                            | 2        | EA |
| 10   |        | HHCS, 1/2 -13X1 ¼" GR 8                    | 4        | EA |
| 11   |        | WASHER, 1/2                                | 4        | EA |
| 12   |        | LOCK WASHER, ½"                            | 6        | EA |

### S-TUBE 5" OUTLET ASSEMBLY

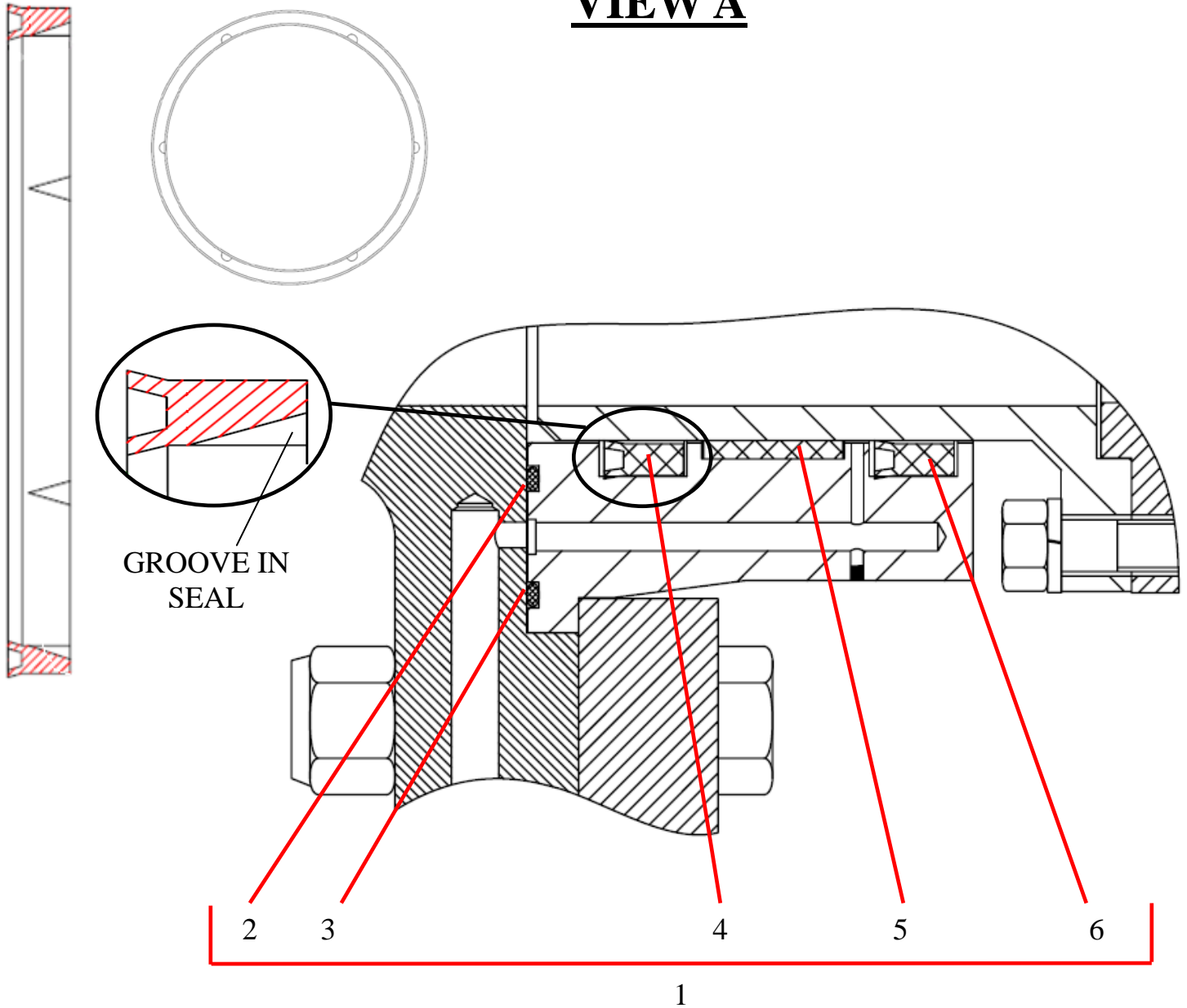
### DETAIL A



| ID # | PART # | PART DESCRIPTION             | QUANTITY |    |
|------|--------|------------------------------|----------|----|
|      | 86321  | OUTLET ASSEMBLY              | 1        | EA |
| 1    |        | HHCS, 5/8 – 18X3" ¼ " GR 8   | 6        | EA |
| 2    |        | LOCK NUT, 5/8 -18            | 6        | EA |
| 3    |        | GREASE FITTING, 1/8" NPT 90° | 2        | EA |
| 4    | 72309  | OUTLET SEAL HOUSING          | 1        | EA |
| 5    | 70042  | CHROMED OUTLET               | 1        | EA |
| 6    |        | HHCS, 3/8 – 16X1 ½" GR 8     | 6        | EA |
| 7    |        | HEX NUT, 3/8" - 16           | 6        | EA |
| 8    |        | LOCK WASHER, 3/8"            | 6        | EA |
| 9    | 72482  | OUTLET, 5" (1-PIECE)         | 1        | EA |

## 5" OUTLET SEAL KIT INSTALLATION

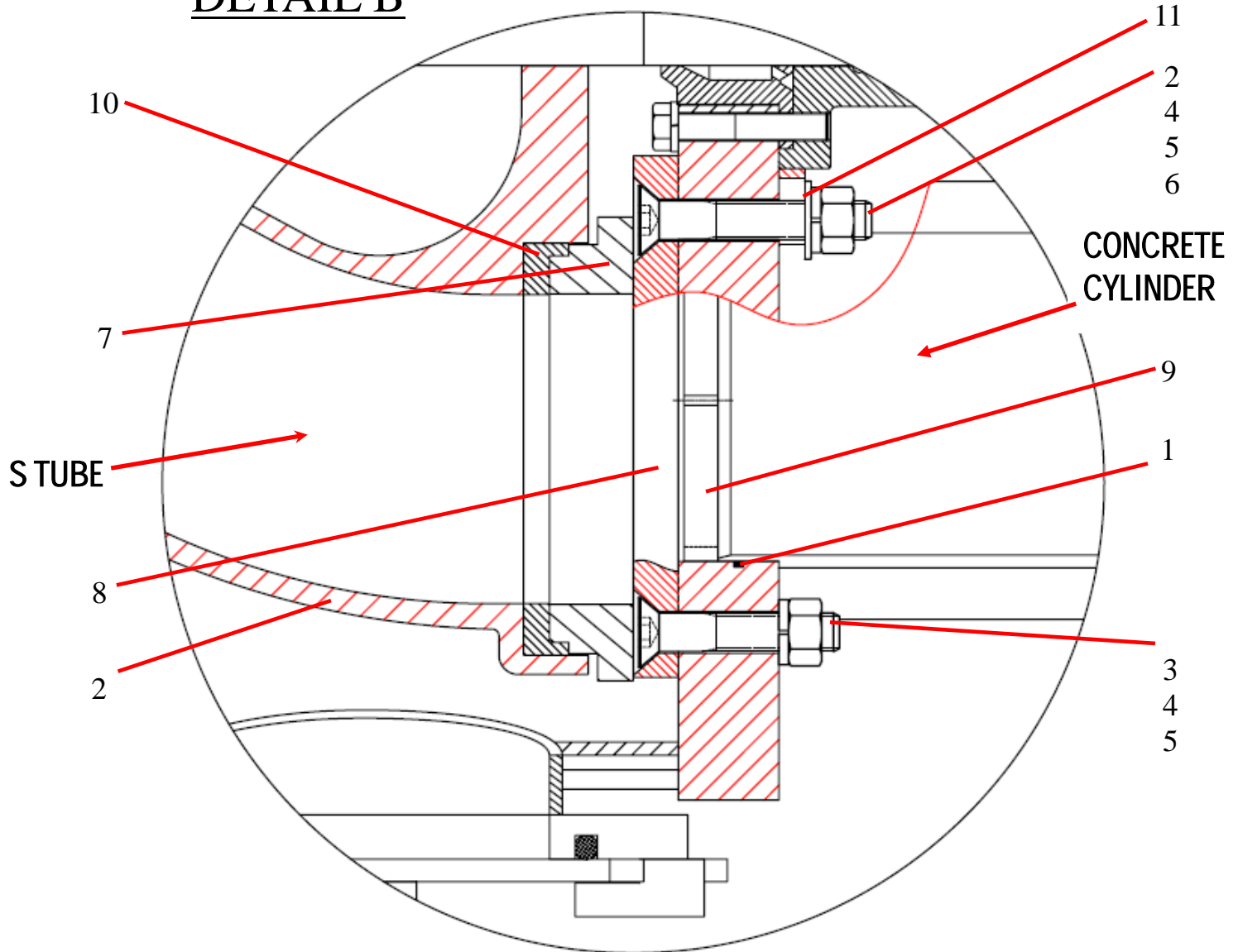
### VIEW A



| ID # | PART # | PART DESCRIPTION                   | QUANTITY |    |
|------|--------|------------------------------------|----------|----|
| 1    | 79895  | SEAL KIT                           | 1        | EA |
| 2    | 77762  | O-RING-#257 BUNA 90                | 1        | EA |
| 3    | 77761  | O-RING-#264 BUNA 90                | 1        | EA |
| 4    | 86504  | SEAL-MODIFIED- 5 IN OUTLET         | 1        | EA |
| 5    | 77763  | GUIDE BAND - 5.75 OD X 1.00W       | 1        | EA |
| 6    | 77765  | LIP SEAL-5.50 ID X 6.00 OD X .56 D | 1        | EA |

### WEAR PLATE ASSEMBLY

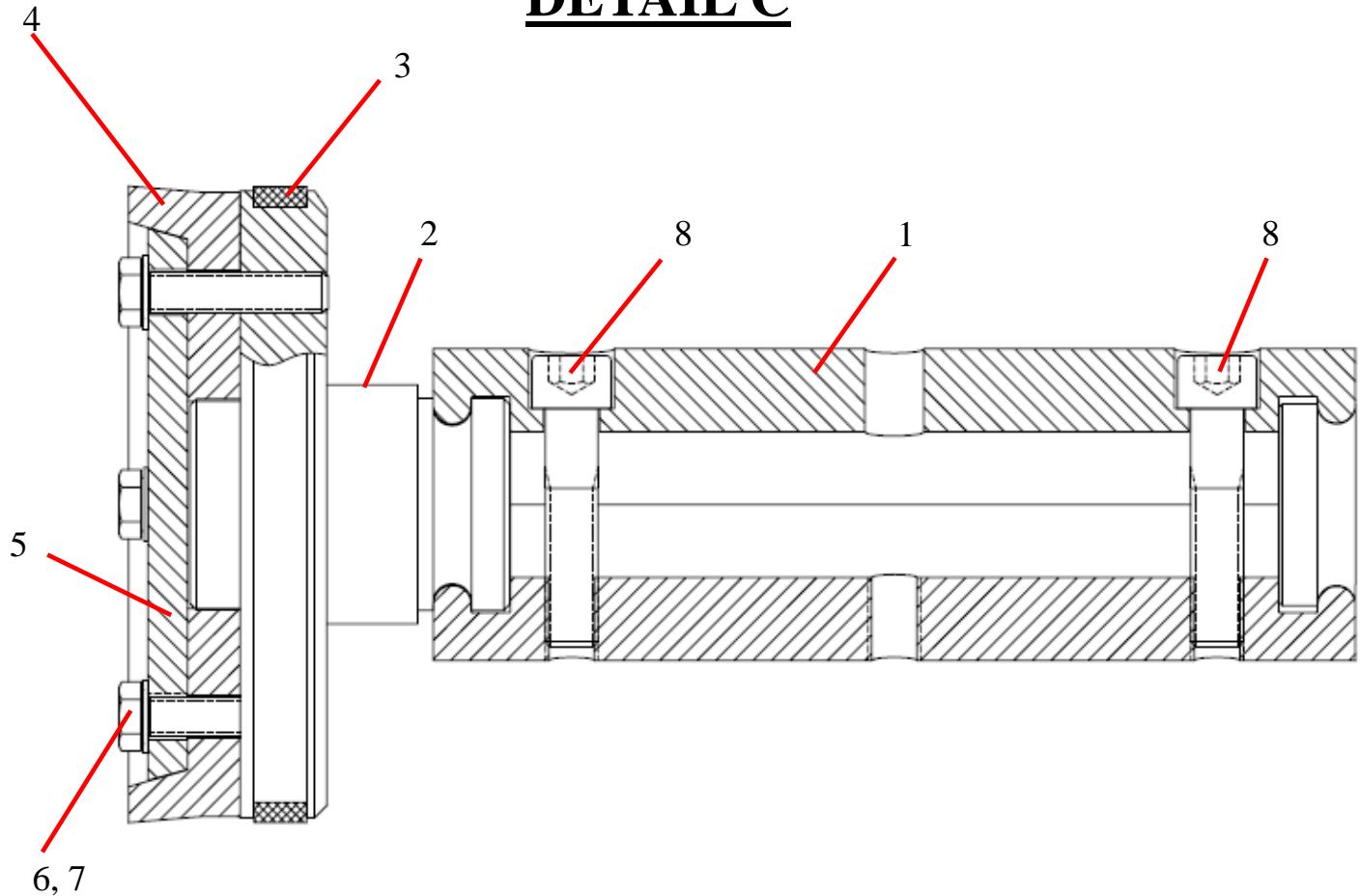
#### DETAIL B



| ID # | PART # | PART DESCRIPTION              | QUANTITY |    |
|------|--------|-------------------------------|----------|----|
| 1    | 86149  | O-RING, #259 BUENA 70         | 2        | EA |
| 2    |        | FHCS, 3/4" - 10X 4 1/2" GR 8  | 1        | EA |
| 3    |        | FHCS, 3/4" - 10X 3 1/2" GR 8  | 3        | EA |
| 4    |        | HEX NUT, 3/4" - 10            | 4        | EA |
| 5    |        | LOCK WASHER, 3/4"             | 4        | EA |
| 6    |        | FLATWASHER, 3/4"              | 4        | EA |
| 7    | 72310  | WEAR RING, 6"                 | 1        | EA |
| 8    | 86031  | WEAR PLATE, 6"                | 1        | EA |
| 9    | 86086  | CHIP RING, 6"                 | 2        | EA |
| 10   | 86085  | SEAL, SINGLE LIP, 6"          | 1        | EA |
| 11   | 86502  | LOCATOR RING - FLANGE BEARING | 1        | EA |

### 6" PISTON CUP ASSEMBLY

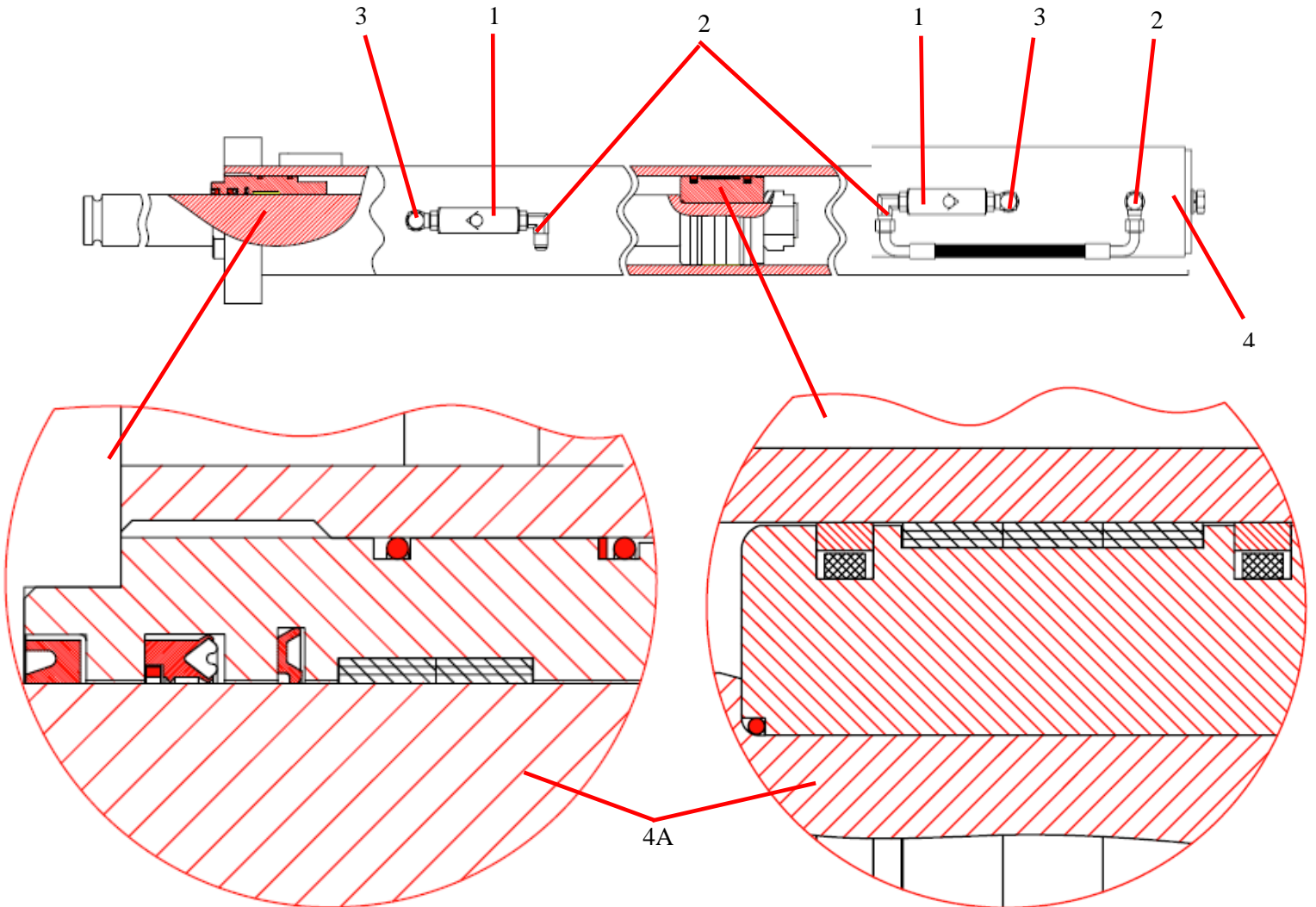
### DETAIL C



| ID # | PART # | PART DESCRIPTION           | QUANTITY |    |
|------|--------|----------------------------|----------|----|
| 1    | 86101  | PISTON COUPLING, 8.06 LONG | 1        | EA |
| 2    | 77194  | PISTON-CONC. ADAPTER 6"    | 1        | EA |
| 3    | 77120  | WEAR RING(GUIDE BAND) 6"   | 1        | EA |
| 4    | 70048  | PISTON CUP, 6 IN           | 1        | EA |
| 5    | 70057  | PISTON PLATE 6 INCH        | 1        | EA |
| 6    |        | HHCS, 3/8 - 16X1" GR 8     | 4        | EA |
| 7    |        | LOCK WASHER 3/8            | 4        | EA |
| 8    |        | SHCS 1/2 - 13 X 2 1/4"     | 2        | EA |



### DRIVE CYLINDER ASSEMBLY

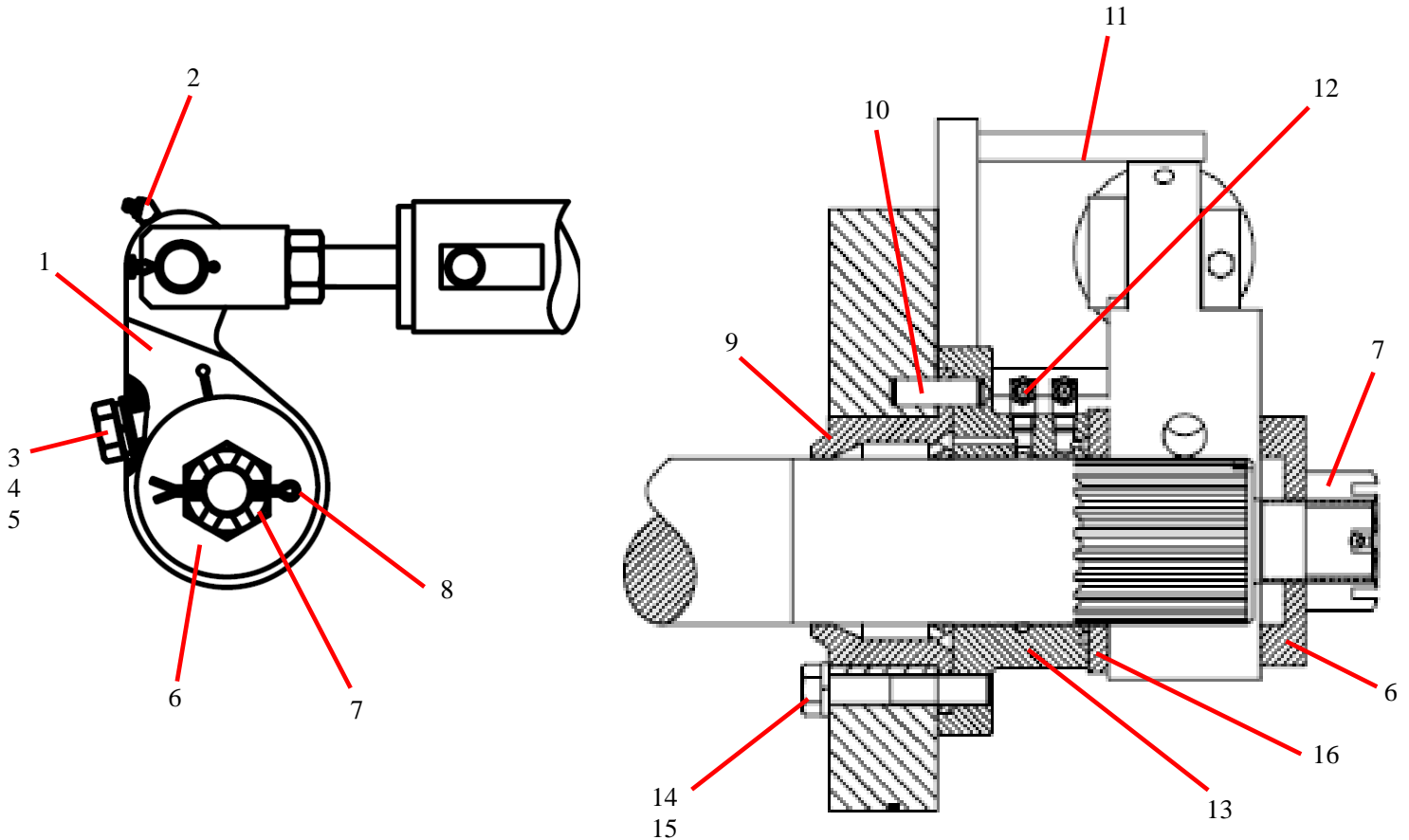


86222A – SK SEAL KIT  
 ASSEMBLY

| ID # | PART #    | PART DESCRIPTION                              | QUANTITY |    |
|------|-----------|-----------------------------------------------|----------|----|
|      | 86304     | HYD CYLINDER GROUP                            | REF      |    |
| 1    | 78961     | CHECK VALVE-5K PSI O-RING                     | 2        | EA |
| 2    | 86748     | FITTING-MB-MJ90-6-6                           | 3        | EA |
| 3    |           | ELBOW, MB-MB90-6-6                            | 2        | EA |
| 4    | 86223A    | HYDRAULIC CYLINDER 3.50 X 2.00 X 35.75 (JARP) | 1        | EA |
| 4A   | 86222A-SK | SEAL KIT                                      | 1        | EA |

### SINGLE SHIFT BELL CRANK ASSEMBLY

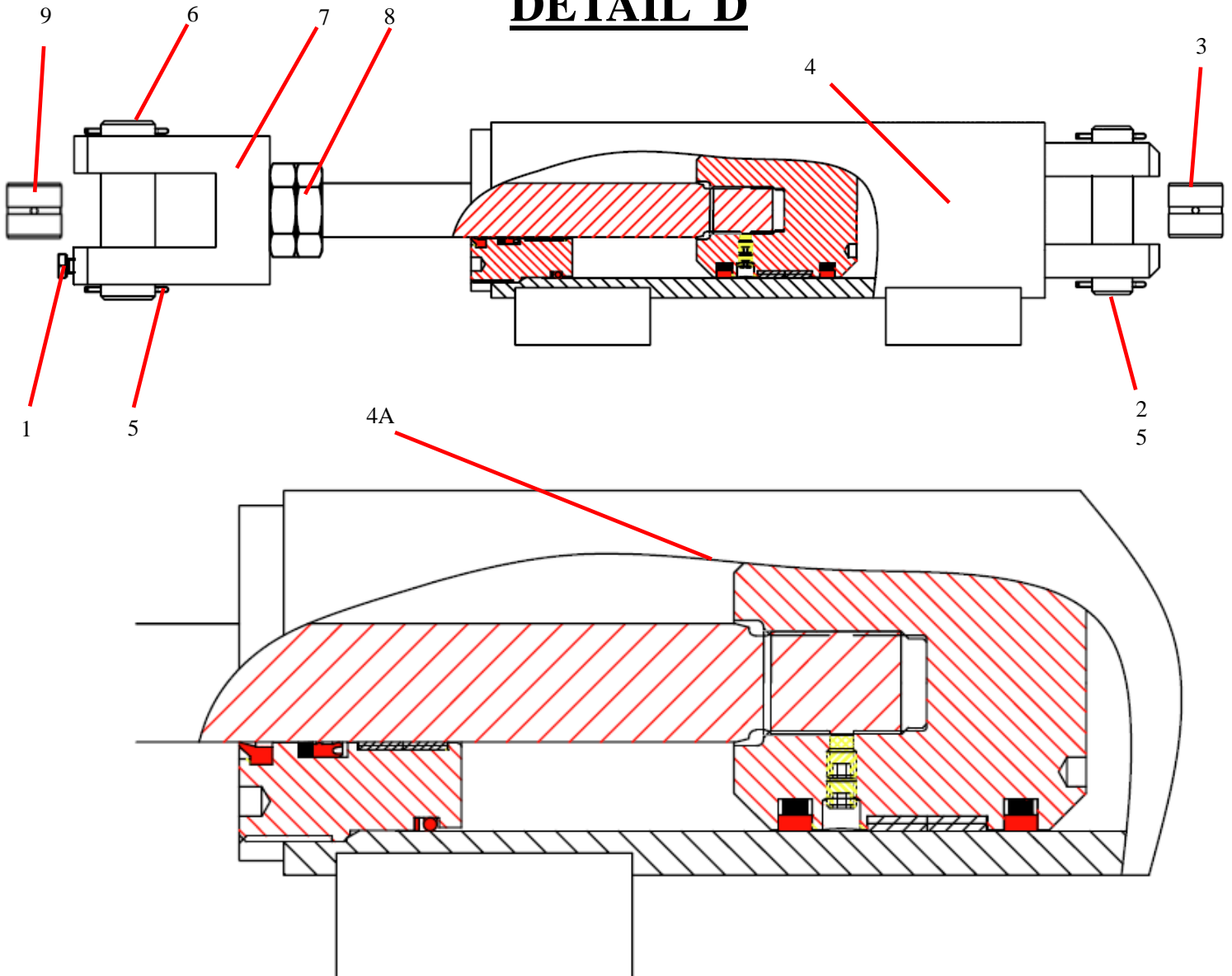
## DETAIL D



| ID # | PART #  | PART DESCRIPTION                     | QUANTITY |    |
|------|---------|--------------------------------------|----------|----|
|      | 86319-1 | STUBE SHIFT GROUP ASSY               | REF      |    |
| 1    | 85131   | BELL CRANK, 3" SPLINE, SINGLE        | 1        | EA |
| 2    |         | GREASE FITTING, 1/8" NPT 45°         | 1        | EA |
| 3    |         | HHCS, 3/4 - 16X4" GR 8               | 1        | EA |
| 4    |         | WASHER, 3/4"                         | 1        | EA |
| 5    |         | LOCK WASHER, 3/4"                    | 1        | EA |
| 6    | 86985   | SPACER, S-TUBE NUT                   | 1        | EA |
| 7    | 87012   | NUT 2" -12 CASTLE GRADE 5            | 1        | EA |
| 8    |         | COTTER PIN, 1/4 X4"                  | 1        | EA |
| 9    | 85962   | SEAL, FLANGE BEARING                 | 1        | EA |
| 10   |         | DOWEL PIN, 1/2" DIA X 2"             | 2        | EA |
| 11   | 85947   | BRACKET SWING CYLINDER               | 1        | EA |
| 12   |         | GREASE FITTING, 1/8" NPT             | 2        | EA |
| 13   | 85133   | FLANGED BEARING                      | 1        | EA |
| 14   |         | HHCS, 9/16 - 12X3" GR 8              | 4        | EA |
| 15   |         | LOCK WASHER, 9/16"                   | 4        | EA |
| 16   | 85294-1 | THRUST WASHER, S -TUBE (NYLON-GREEN) | 1        | EA |

### SINGLE SHIFT SWING CYLINDER ASSEMBLY

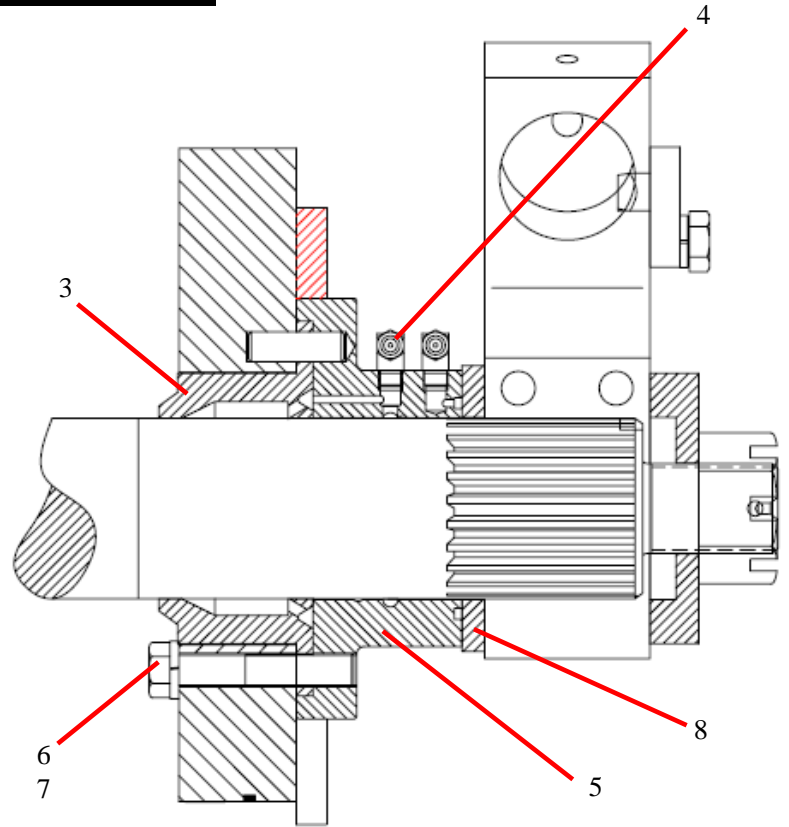
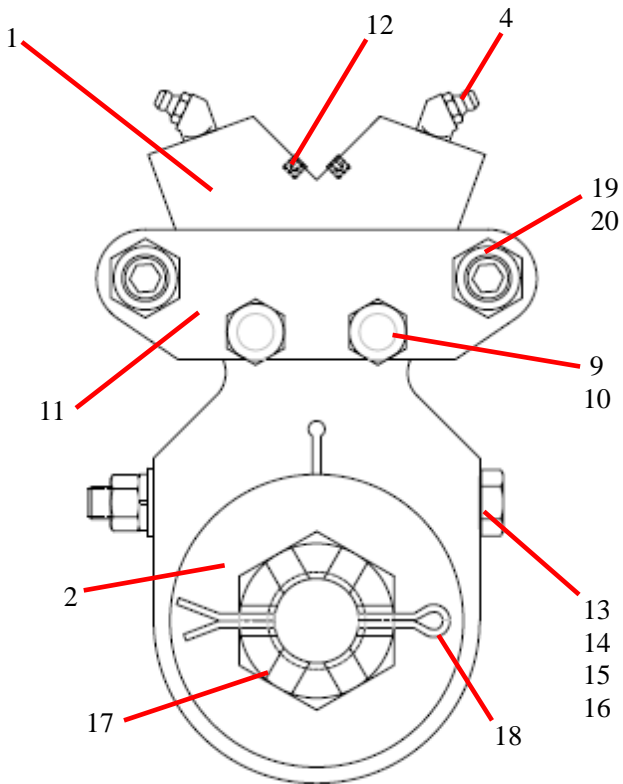
## DETAIL D



| ID # | PART #    | PART DESCRIPTION                           | QUANTITY |    |
|------|-----------|--------------------------------------------|----------|----|
| 1    |           | HHCS 1/4" X 28 X 3/4"                      | 1        |    |
| 2    | 74207     | PIN - CLEVIS - .750 DIA                    | 1        | EA |
| 3    | 71011     | BUSHING - SHIFT CYLINDER                   | 1        | EA |
| 4    | 86221A    | SWING CYLINDER - 2.50 X 1.00 X 5.00 (JARP) | 1        | EA |
| 4A   | 86221A-SK | SEAL KIT                                   | 1        | EA |
| 5    |           | COTTER PIN, 3/32X1 3/4"                    | 2        | EA |
| 6    | 86150     | PIN, CLEVIS, 1.00 DIA                      | 1        | EA |
| 7    | 86135     | CLEVIS, SHIFT CYLINDER                     | 1        | EA |
| 8    |           | 1"X14 JAM NUT                              | 2        | EA |
| 9    | 85538     | BUSHING, INNER RACE                        | 1        | EA |

### DUAL SHIFT BELL CRANK ASSEMBLY

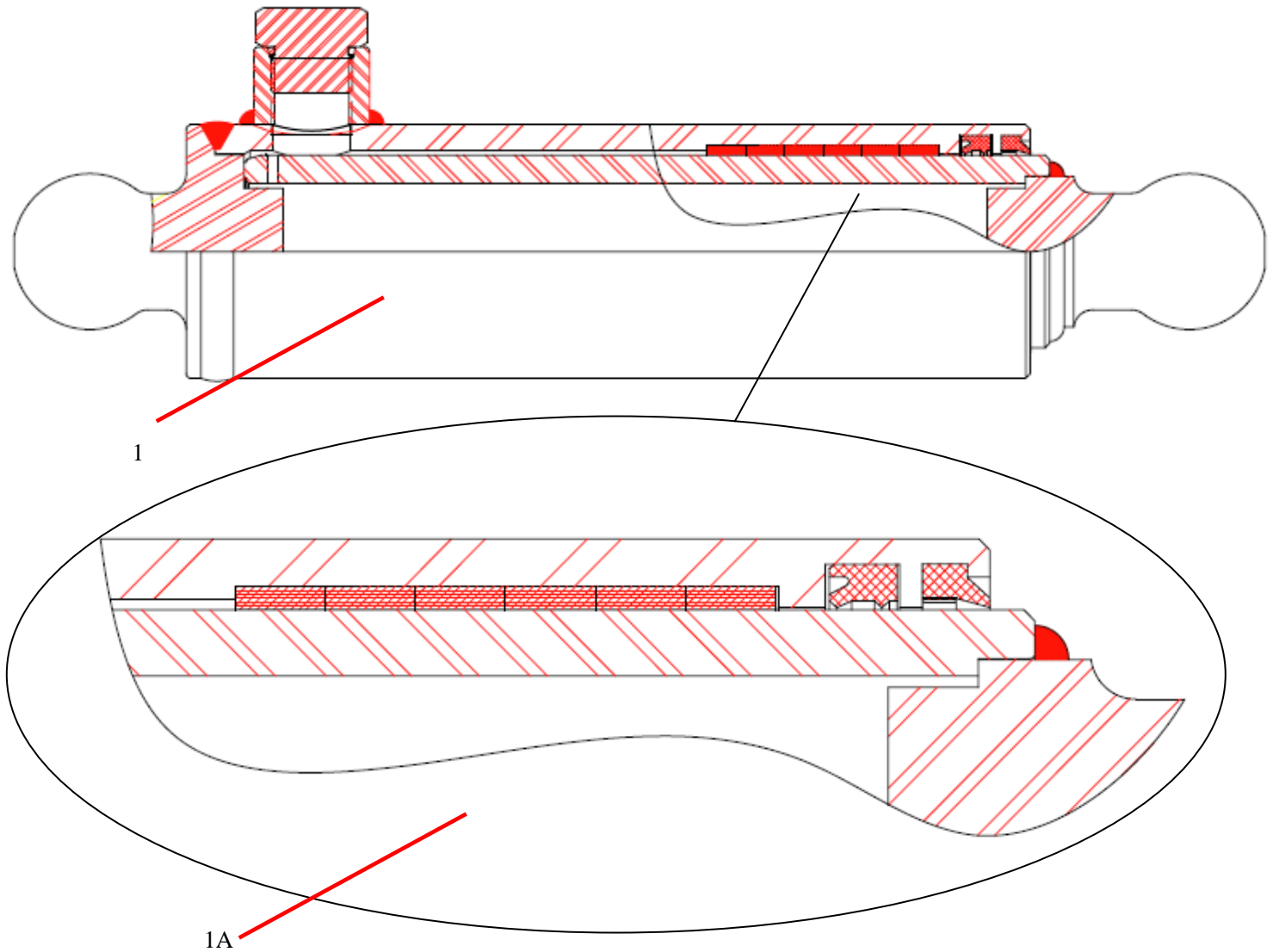
### DETAIL E



| ID # | PART # | PART DESCRIPTION                 | QUANTITY |    |
|------|--------|----------------------------------|----------|----|
|      | 86320  | S-TUBE SHIFT GROUP, DUAL         |          |    |
| 1    | 85956  | BELL CRANK, 3" SPLINE, DUAL      | 1        | EA |
| 2    | 86985  | SPACER, S-TUBE NUT               | 1        | EA |
| 3    | 85962  | SEAL, FLANGE BEARING             | 1        | EA |
| 4    |        | GREASE FITTING, 1/8" NPT         | 4        | EA |
| 5    | 85133  | FLANGED BEARING                  | 1        | EA |
| 6    |        | HHCS, 9/16 - 12X3" GR 8          | 4        | EA |
| 7    |        | LOCK WASHER, 9/16"               | 4        | EA |
| 8    | 85294  | THRUST WASHER, S -TUBE           | 1        | EA |
| 9    |        | HHCS, 1/2-13X1 1/4" GR 8         | 2        | EA |
| 10   |        | LOCKWASHER, 1/2"                 | 2        | EA |
| 11   | 86282  | RETAINER - SHIFT CYLINDER        | 1        | EA |
| 12   |        | PIPE PLUG 1/4" NPT               | 2        | EA |
| 13   |        | HHCS, 1/2-13X6 1/4" GR 8         | 2        | EA |
| 14   |        | FLAT WASHER 1/2"                 | 4        | EA |
| 15   |        | LOCK WASHER 1/2"                 | 2        | EA |
| 16   |        | HEX NUT, 1/2"-13                 | 2        | EA |
| 17   | 87012  | NUT 2" -12 CASTLE GRADE 5        | 2        | EA |
| 18   |        | COTTER PIN, 1/4X4"               | 1        | EA |
| 19   | 86283  | SET SCREW-5/8-11X2.00" CUP POINT | 1        | EA |
| 20   | 80005  | NUT HEX-5/8-11 UNC USS RH THREAD | 1        | EA |

## DUAL SHIFT CYLINDER ASSEMBLY

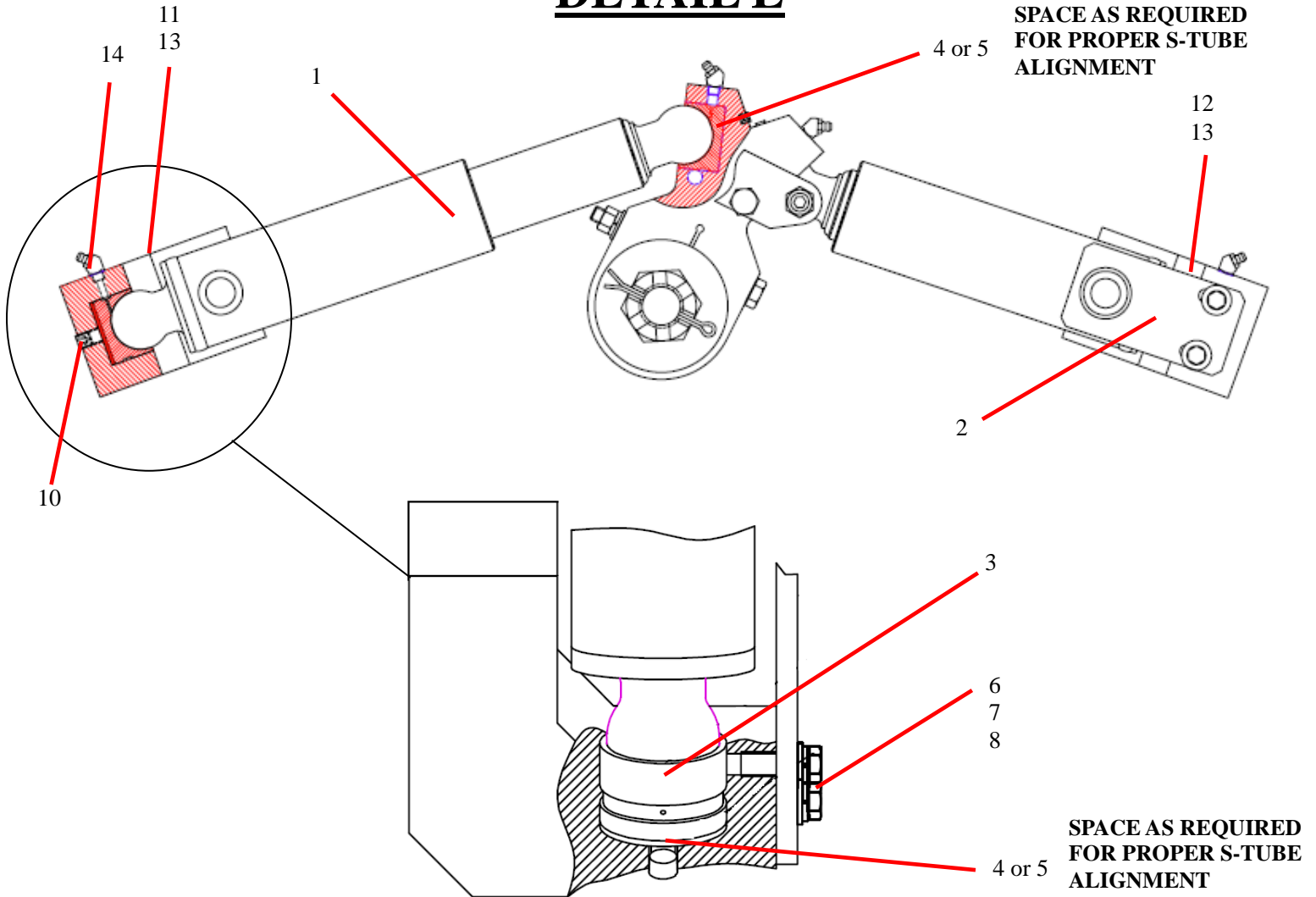
### DETAIL E



| ID # | PART #    | PART DESCRIPTION                   | QUANTITY |    |
|------|-----------|------------------------------------|----------|----|
| 1    | 86220A    | SWING RAM 2.5 X 5.75 STROKE (JARP) | 2        | EA |
| 1A   | 86220A-SK | SEAL KIT                           | 2        | EA |

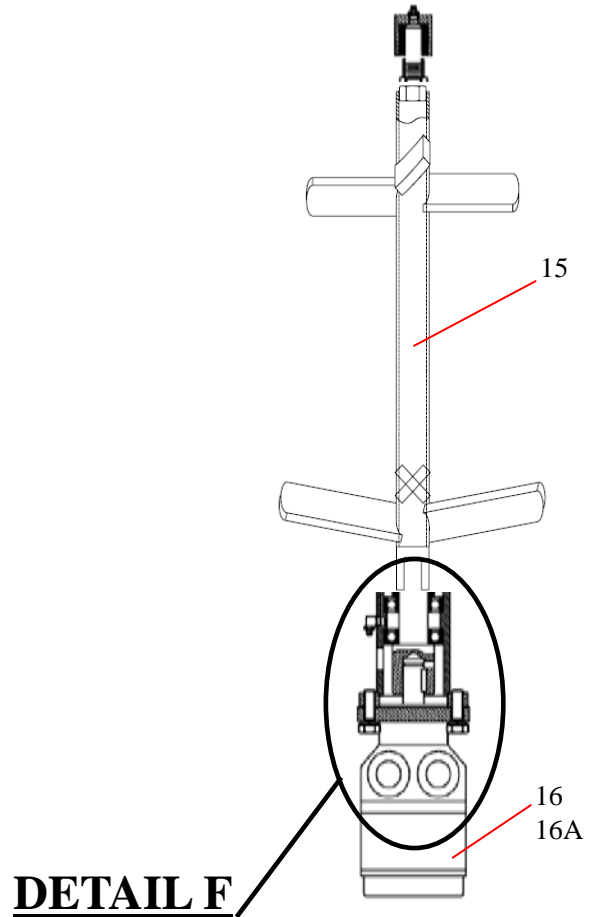
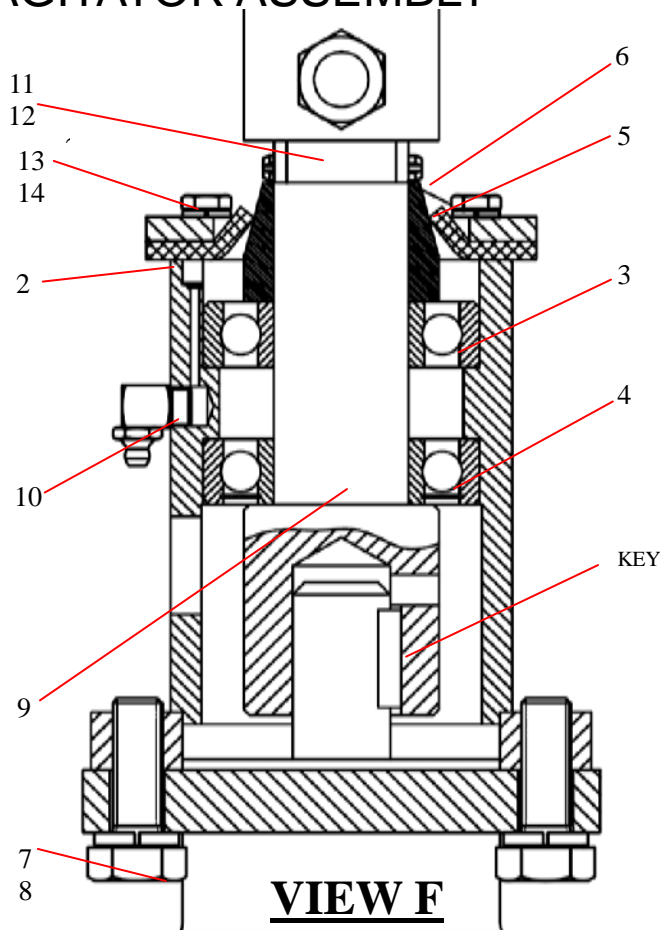
### DUAL SHIFT ASSEMBLY

## DETAIL E



| ID # | PART #  | PART DESCRIPTION                     | QUANTITY |    |
|------|---------|--------------------------------------|----------|----|
| 1    | 86220A  | SWING RAM – 2.5 X 5.75 STROKE (JARP) | 2        | EA |
| 2    | 86441   | RETAINER, SWING RAM                  | 2        | EA |
| 3    | 76798-1 | BALL SOCKET, NYLON                   | 4        | EA |
| 4    | 75501   | SPACER 1/8"                          | A/R      | EA |
| 5    | 75502   | SPACER 1/16"                         | A/R      | EA |
| 6    |         | HHCS, 3/8-24X1 1/4" GR8              | 4        | EA |
| 7    |         | WASHER, 3/8"                         | 4        | EA |
| 8    |         | LOCK WASHER, 3/8"                    | 4        | EA |
| 10   | 86283   | SETSCREW – 5/8 -11X2.00 CUP          | 2        | EA |
| 11   | 85941   | HOUSING,RH SWING RAM                 | 1        | EA |
| 12   | 85942   | HOUSING, LH SWING RAM                | 1        | EA |
| 13   | 86052   | DOWEL PIN, 1/2" DIA X 2"             | 4        | EA |
| 14   |         | GREASE FITTING, 1/8" NPT             | 2        | EA |

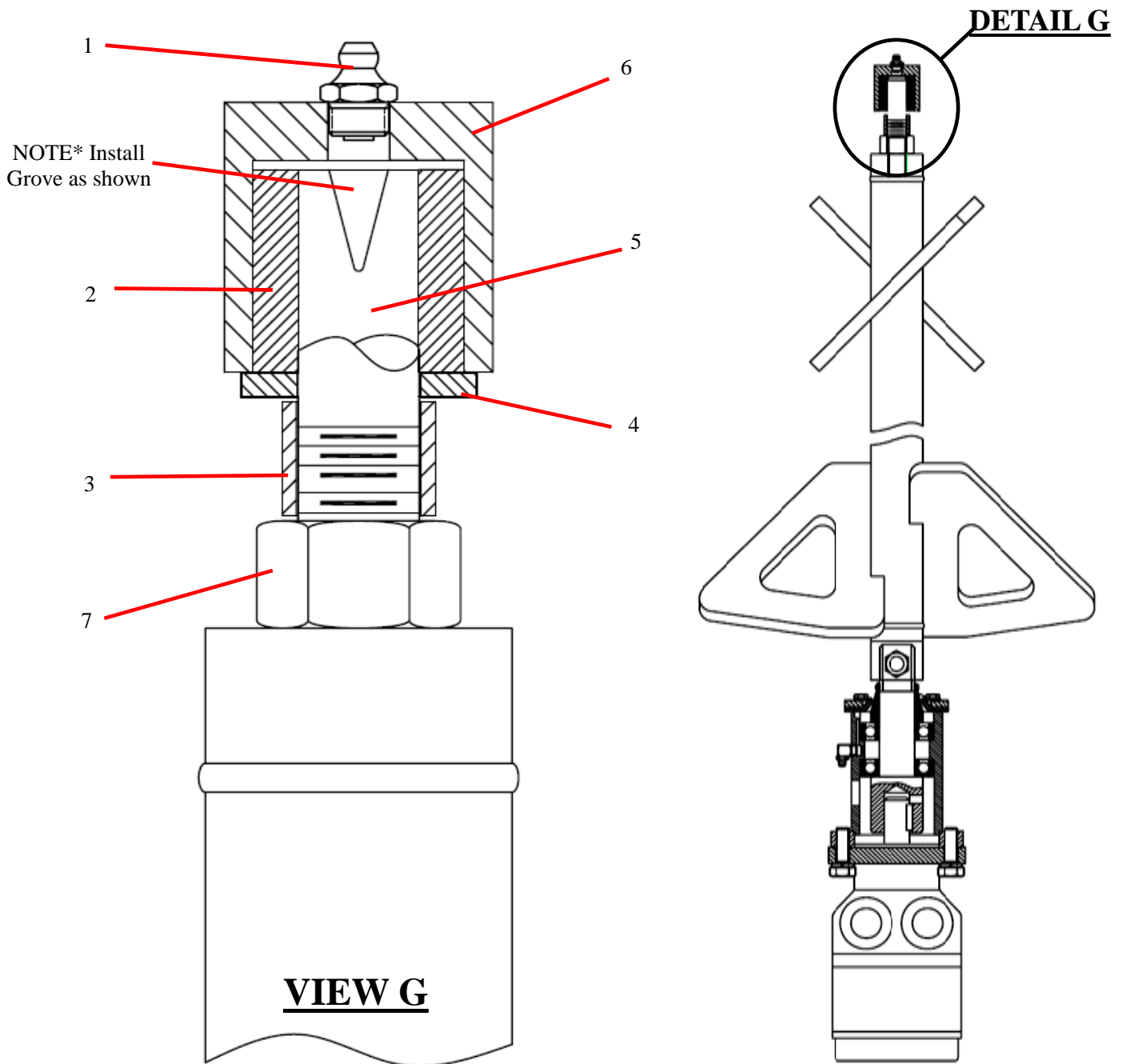
### HOPPER AGITATOR ASSEMBLY



| ID # | PART #  | PART DESCRIPTION              | QUANTITY |    |
|------|---------|-------------------------------|----------|----|
|      | 86322   | AGITATOR ASSEMBLY             | 1        | EA |
| 1    | 70211   | FLANGE SEAL S/W               | 1        | EA |
| 2    | 70212   | SEAL REMIXER                  | 1        | EA |
| 3    | 85978   | BEARING, BALL, PLAIN          | 1        | EA |
| 4    | 85979   | BEARING, BALL 1 SEAL          | 1        | EA |
| 5    | 85976   | WEAR RING, AGITATION          | 1        | EA |
| 6    |         | SPRING PIN, 1/4" DIA X 1 3/4" | 1        | EA |
| 7    |         | HHCS, 1/2 -20X1 1/2" GR 8     | 2        | EA |
| 8    |         | LOCK WASHER, 1/2"             | 2        | EA |
| 9    | 85923   | SHAFT,AGITATOR                | 1        | EA |
| 10   |         | GREASE FITTING, 1/8" NPT 90°  | 1        | EA |
| 11   |         | HHCS, 1/2 -13X2 1/4" GR 8     | 1        | EA |
| 12   |         | LOCK NUT, 1/2" -13            | 1        | EA |
| 13   |         | 1/4-28X3/4"                   | 6        | EA |
| 14   |         | LOCK WASHER, 1/4"             | 6        | EA |
| 15   | 86330   | AGITATOR, STD HOPPER, PAINTED | 1        | EA |
| 16   | 85811   | HYD MOTOR, 45.6 CID, 1" SHAFT | 1        | EA |
| 16A  | 85809SK | SEAL KIT                      | 1        | EA |



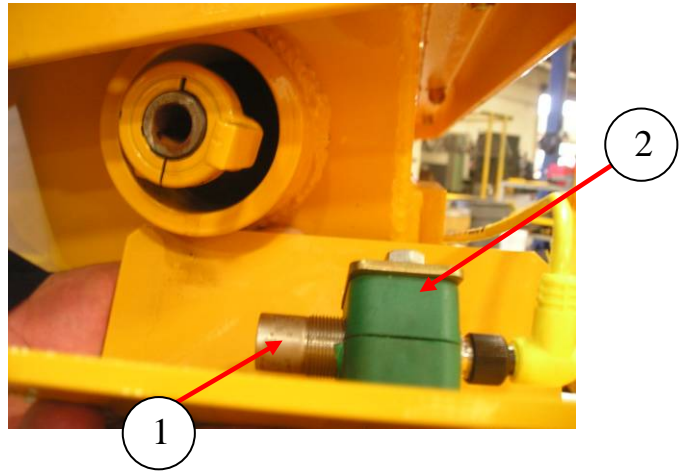
### AGITATOR ASSEMBLY CONTINUED



| ID # | PART # | PART DESCRIPTION                | QUANTITY |    |
|------|--------|---------------------------------|----------|----|
| 1    |        | GREASE FITTING, 1/8" NPT STRAIT | 1        | EA |
| 2    | 70219  | REMIX SHAFT BUSHING             | 1        | EA |
| 3    | 77877  | SPACER, REMIX                   | 1        | EA |
| 4    | 86824  | FLAT WASHER, 3/4" SAE           | 1        | EA |
| 5    | 70214  | IDLER SHAFT, AGITATOR           | 1        | EA |
| 6    | 70210  | IDLER BEARING HOUSING           | 1        | EA |
| 7    | 80030  | HEX NUT-M20X2.5 PLATED          | 1        | EA |

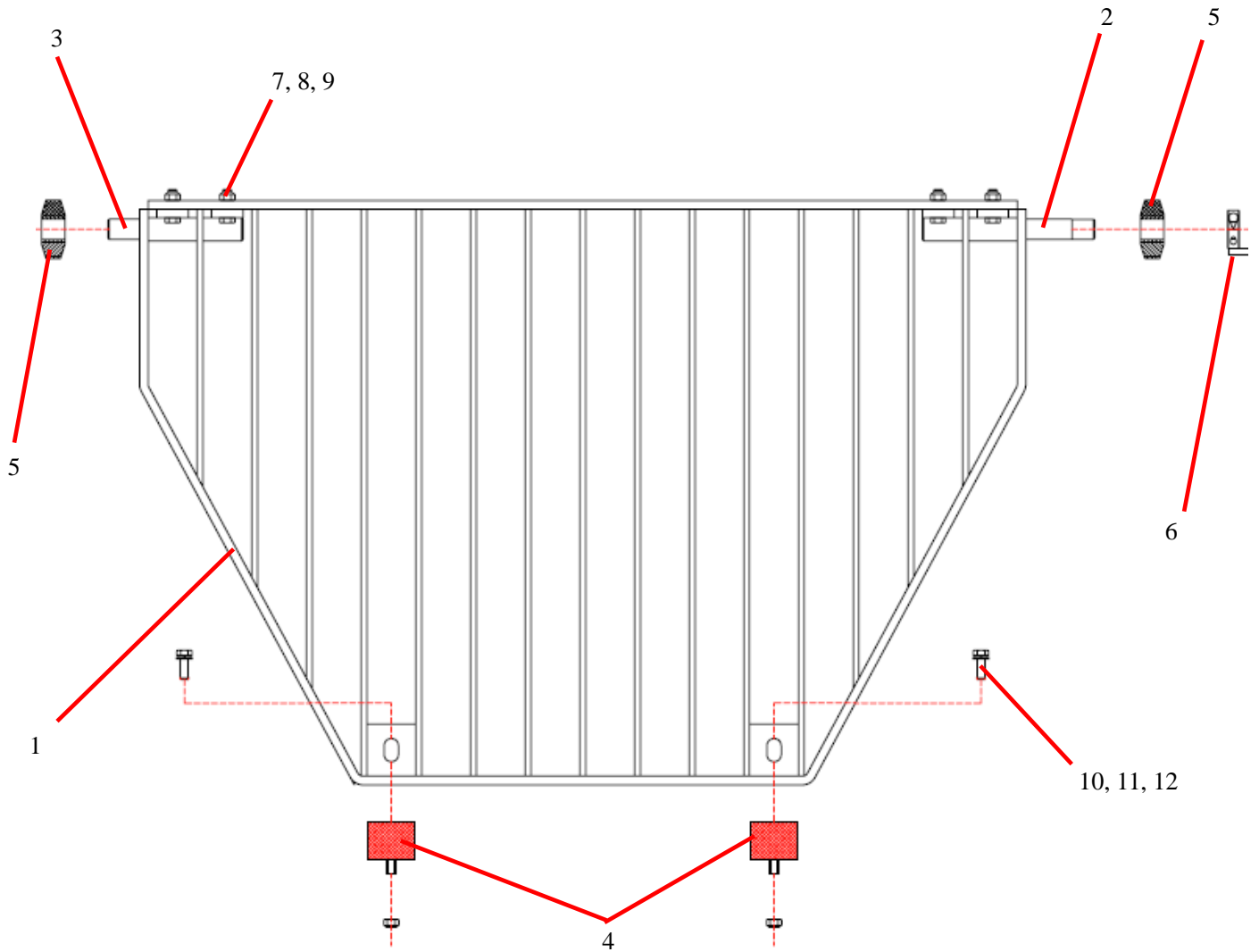


### SAFETY GRATE



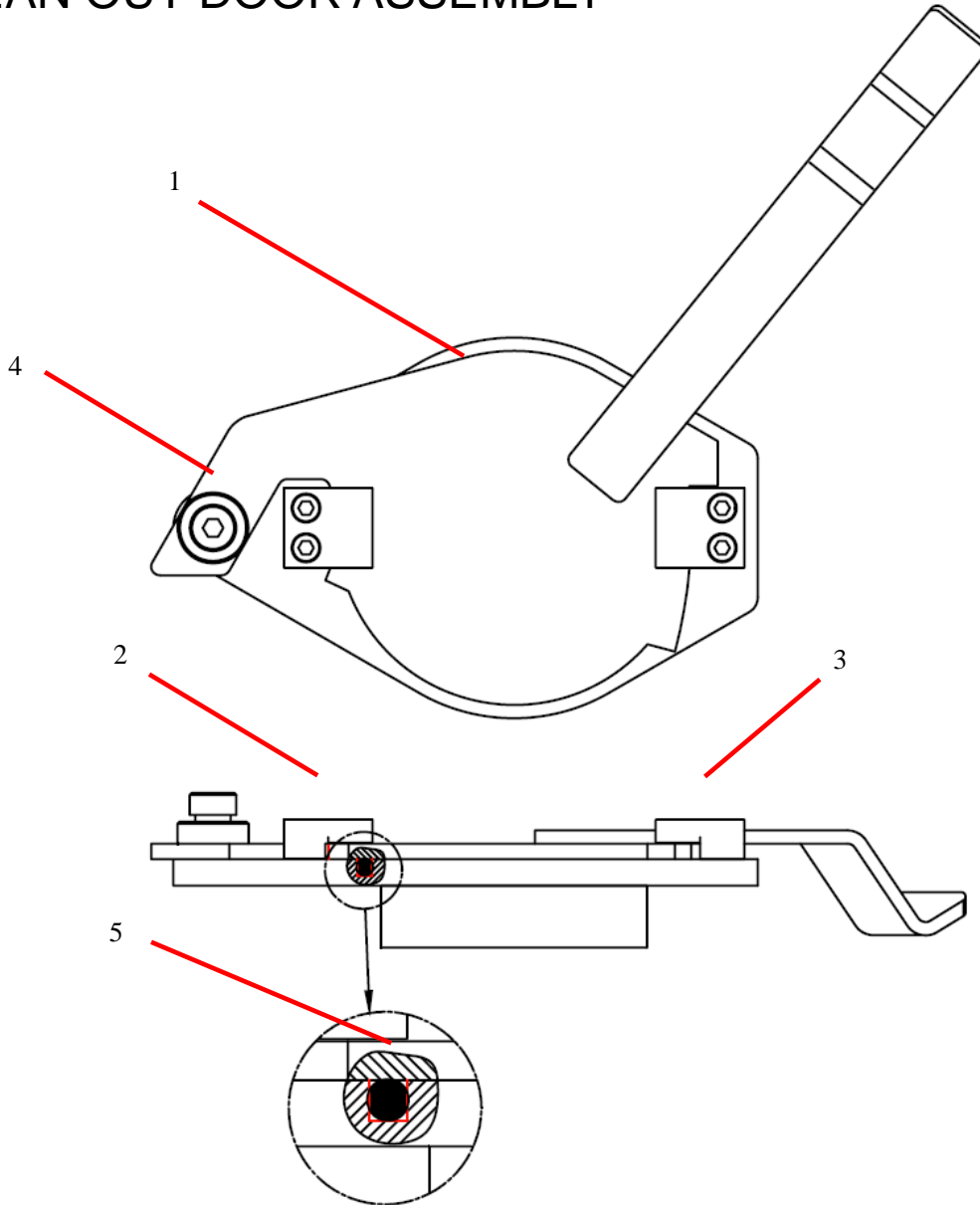
| ID # | PART #     | PART DESCRIPTION                  | QUANTITY |    |
|------|------------|-----------------------------------|----------|----|
| 1    | 87369      | PROXIMITY SENSOR PNP HOPPER GRATE | 1        | EA |
| 2    | 801902-006 | CLAMP,18MM TUBE CLAMP SET         | 1        | EA |
| 3    | 87997      | COVER WELD PROX SWITCH HOPPER     | 1        | EA |

### GRATE ASSEMBLY



| ID # | PART #  | PART DESCRIPTION           | QUANTITY |    |
|------|---------|----------------------------|----------|----|
| 1    | 87835   | GRATE WELDMENT, STD HOPPER | 1        | EA |
| 2    | 87857   | PIN WELDMENT LONG          | 1        | EA |
| 3    | 87858   | PIN WELDMENT SHORT         | 1        | EA |
| 4    | 86083   | BUMPER, HOPPER GRATE       | 2        | EA |
| 5    | W114850 | RUBBER BUFFER              | 2        | EA |
| 6    | 87769   | COLLAR SHAFT, 7/8" DIA     | 1        | EA |
| 7    |         | 3/8"-16 X 1 1/4" HEX BOLT  | 4        | EA |
| 8    |         | 3/8" FLAT WASHER           | 8        | EA |
| 9    |         | 3/8-16 LOCK NUT            | 4        | EA |
| 10   |         | 3/8"-16 X 1" HEX BOLT      | 2        | EA |
| 11   |         | 3/8" FLAT WASHER           | 2        | EA |
| 12   |         | 3/8" LOCK WASHER           | 2        | EA |

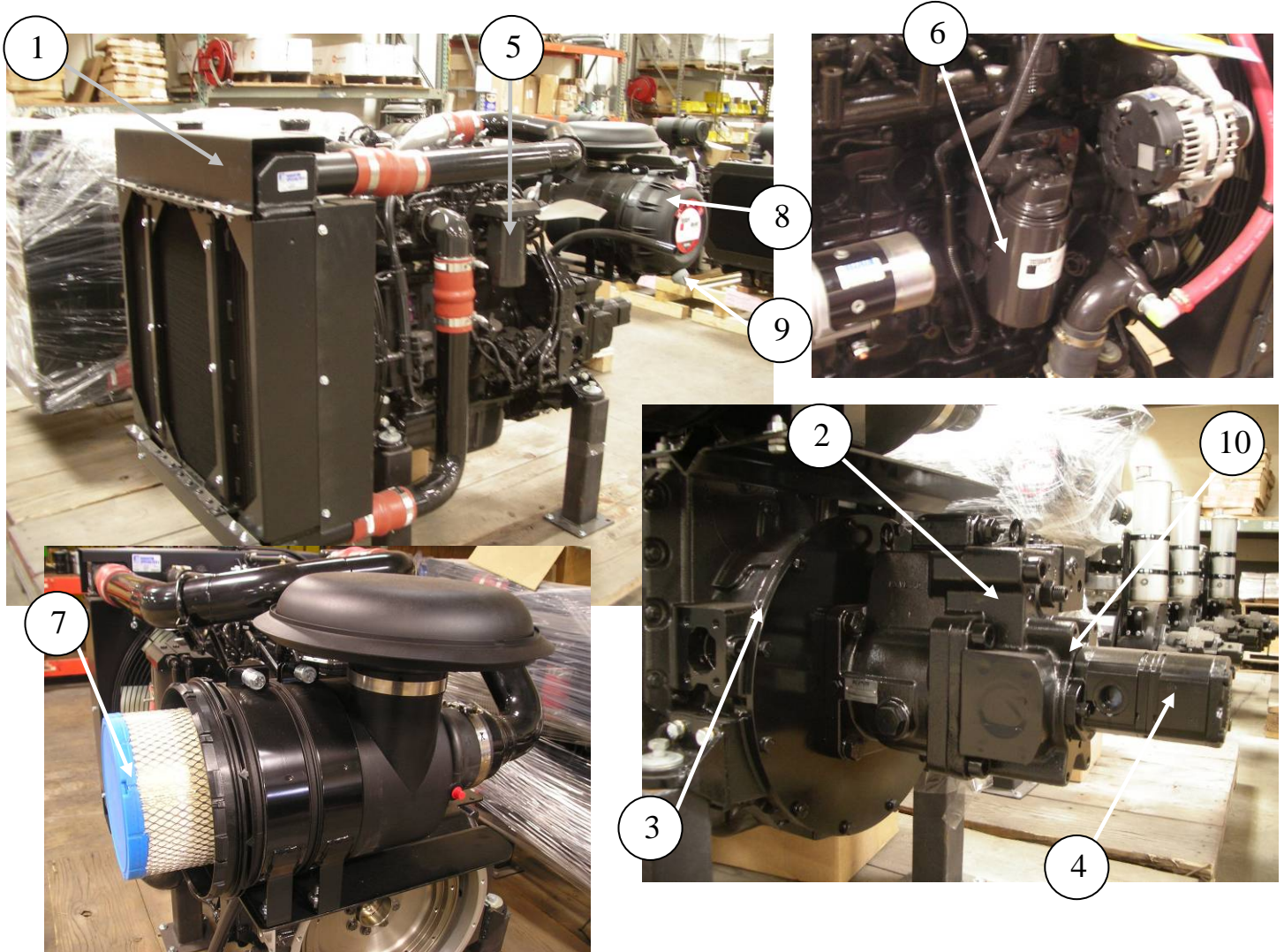
### CLEAN OUT DOOR ASSEMBLY



| ID # | PART #   | PART DESCRIPTION             | QUANTITY |    |
|------|----------|------------------------------|----------|----|
| 1    | 86988    | DOOR WELDMENT, CLEAN OUT     | 1        | EA |
| 2    | 86559    | BLOCK, CLEAN OUT DOOR, LH    | 1        | EA |
| 3    | 86560    | BLOCK, CLEAN OUT DOOR, RH    | 1        | EA |
| 4    | 86922    | SHOULDER SCREW 1" DIA-1 1/4" | 1        | EA |
| 5    | W102908A | O-RING CORD, HOPPER DOOR     | 2.21     | FT |

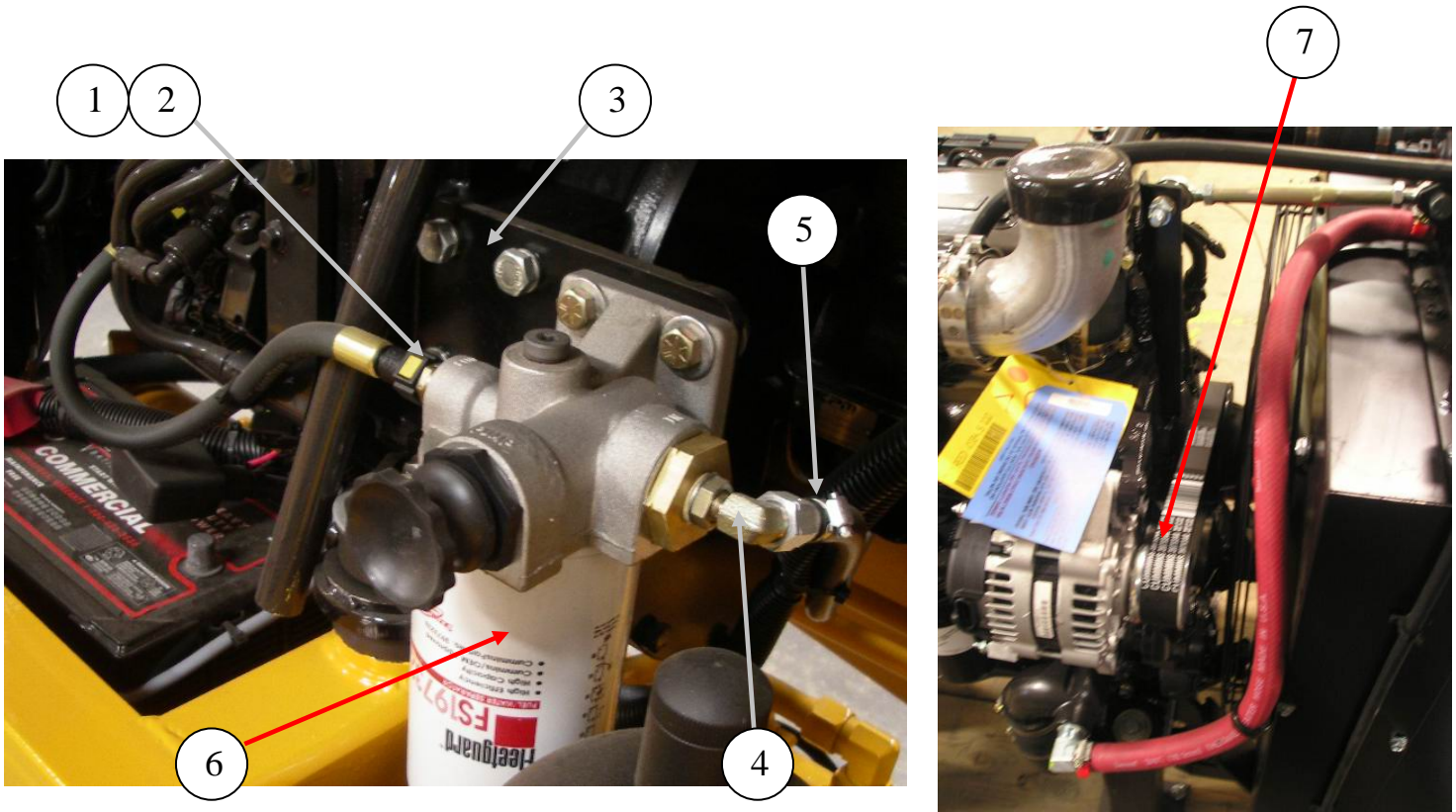


### POWER TRAIN ENGINE, PUMPS, AND FILTERS



| ID # | PART #    | PART DESCRIPTION                        | QUANTITY |    |
|------|-----------|-----------------------------------------|----------|----|
| 1    | 87724     | ENGINE QSB4.5 130HP. CUMMINS            | 1        | EA |
| 2    | 87723     | PUMP,140CC,KAWASAKI                     | 1        | EA |
| 3    | 87360     | PUMP DRIVE -SAE 3 - SAE D               | 1        | EA |
| 4    | 87571-1   | GEAR PUMP, 23/11.3 CC RH, A-PAD SPL     | 1        | EA |
| 5    | 87725-002 | FUEL FILTER                             | 1        | EA |
| 6    | 87725-001 | OIL FILTER                              | 1        | EA |
| 7    | 87725-010 | AIR FILTER ELEMENT                      | 1        | EA |
| 8    | 87725-014 | AIR FILTER HOUSING ASSEMBLY             | 1        | EA |
| 9    | 87725-015 | AIR FILTER HOUSING COVER, DUST EJECTION | 1        | EA |
| 10   | 88174     | O-RING                                  |          |    |

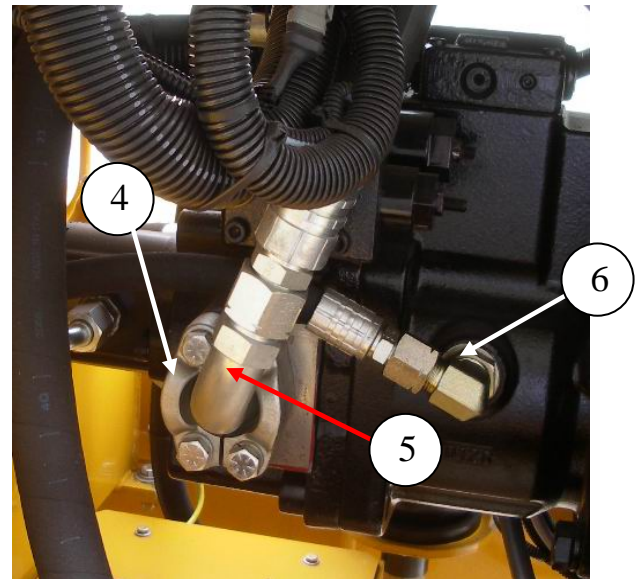
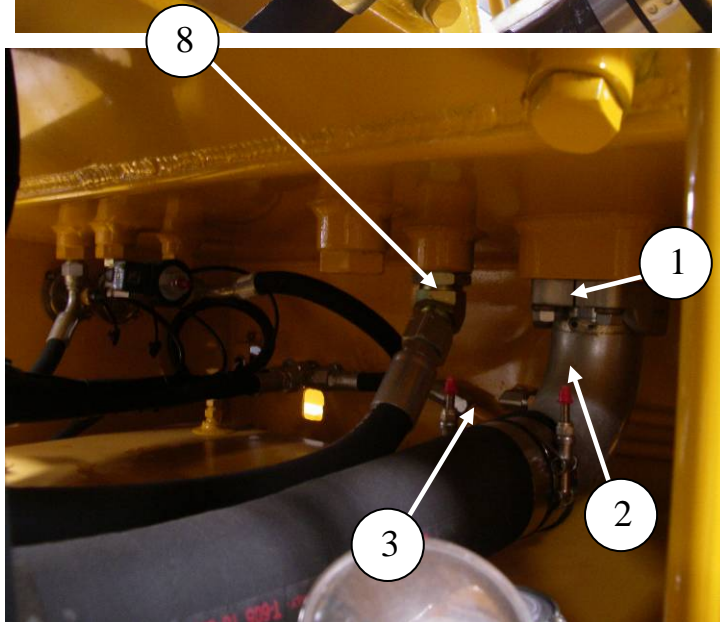
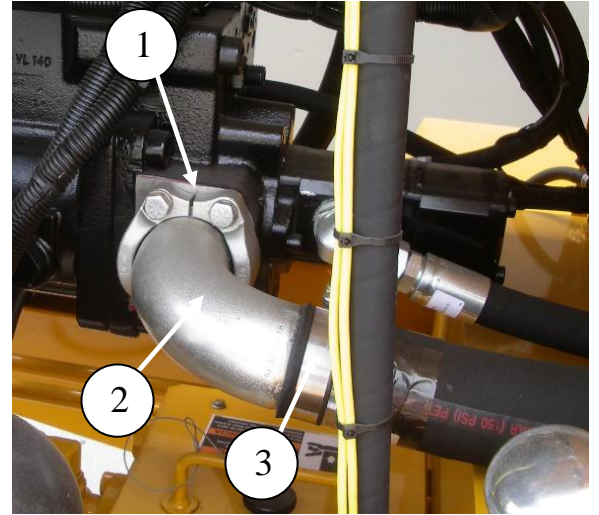
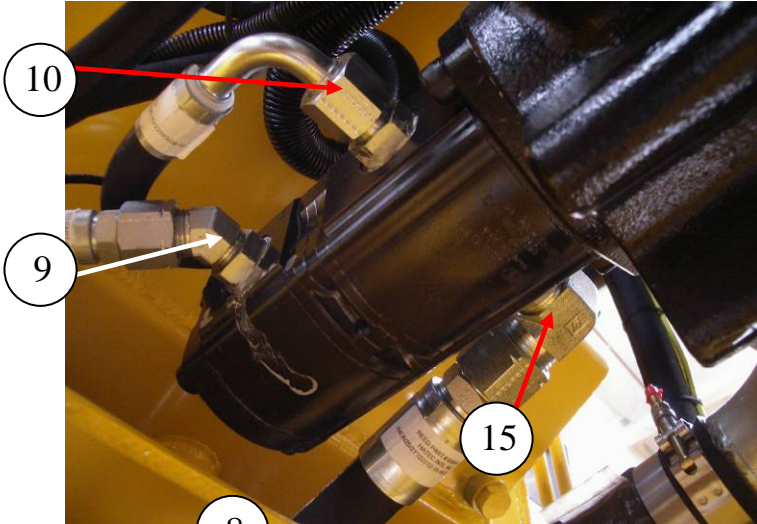
### ENGINE, PUMPS, AND FILTERS CONTINUED



| ID # | PART #    | PART DESCRIPTION                    | QUANTITY |    |
|------|-----------|-------------------------------------|----------|----|
| 1    | 88036     | FITTING FUEL LINE, QUICK DISCONNECT | 1        | EA |
| 2    | 88037     | WASHER SEALING FOR 88036 FITTING    | 1        | EA |
| 3    | 87793     | MOUNT FUEL FILTER, B SER CUMMINS    | 1        | EA |
| 4    | 87567     | FITTING 90DEG METRIC TO JIC         | 2        | EA |
| 5    | 87566     | FITTING BARBED JIC-STEM, 3/8-3/8    | 2        | EA |
| 6    | 87725-003 | FUEL/WATER SEPARATOR REPLACEMENT    | 1        | EA |
| 7    | 87725-005 | FAN BELT                            | 1        | EA |

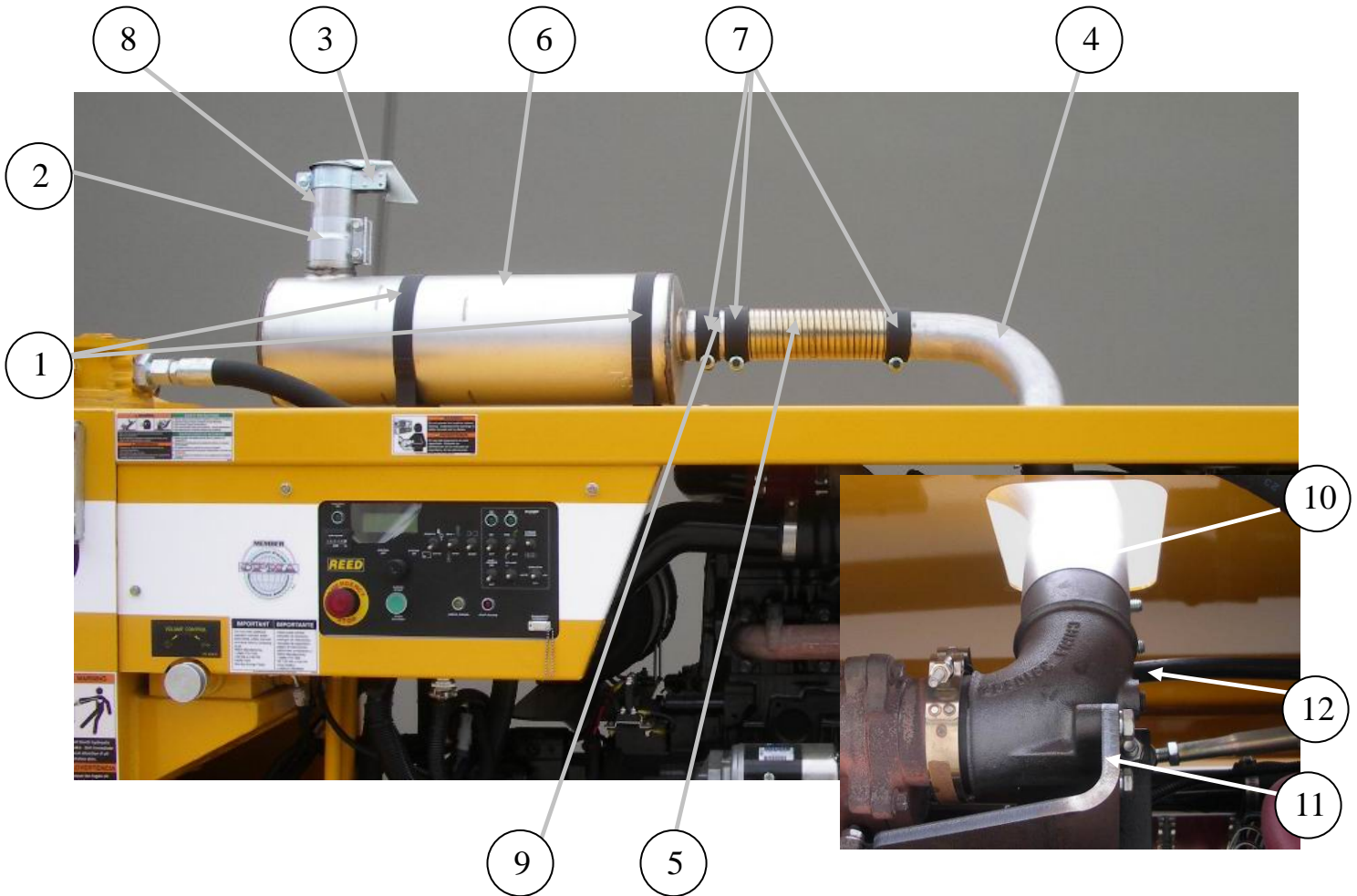


### FITTINGS



| ID # | PART #    | PART DESCRIPTION                 | QUANTITY |    |
|------|-----------|----------------------------------|----------|----|
| 1    | 86264-007 | SPLIT FLANGE-CODE 61- 40 SAE     | 2        | EA |
| 2    | 86911-009 | STEM, 2 1/2" 90 DEG, 40GL-40FL90 | 1        | EA |
| 3    | 79803     | CLAMP - T-BOLT - 3.00 DIA        | 4        | EA |
| 4    | 86265-003 | SPLIT FLANGE-CODE 62- 20 SAE     | 2        | EA |
| 5    | 86912-006 | FLANGE, FLH6K-MJ90-20-16         | 1        | EA |
| 6    |           | ADAPTOR, MB-MJ-90-12-10          | 1        | EA |
| 7    | 86728-023 | ADAPTOR, MB-MJ-20-16             | 1        | EA |
| 8    | 87754-020 | ELBOW, MB-MJ45-20-16             | 1        | EA |
| 9    |           | MB-MJ-45-10                      | 1        | EA |
| 10   | 86900-017 | MB-MJ0-10-10                     | 1        | EA |

### EXHAUST

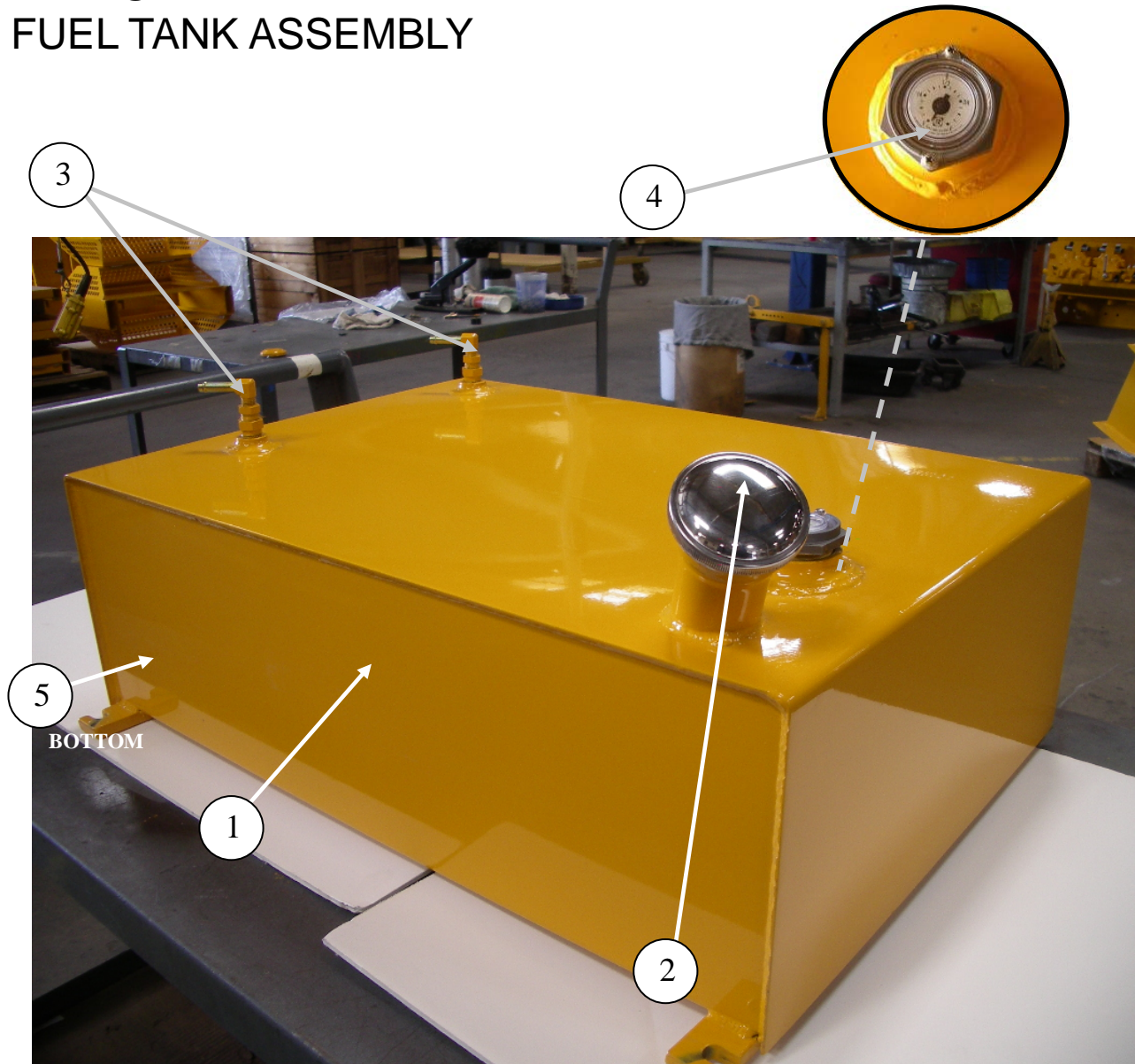


| ID # | PART # | PART DESCRIPTION               | QUANTITY |    |
|------|--------|--------------------------------|----------|----|
| 1    | 87199  | MOUNTING BAND, 8.5" DIA        | 2        | EA |
| 2    | 87198  | CLAMP, TORCTITE, 3"            | 1        | EA |
| 3    | 73475  | RAIN CAP 3"                    | 1        | EA |
| 4    | 86648  | EXHAUST ELBOW 3"               | 1        | EA |
| 5    | 87579  | EXHAUST FLEX TUBE, 3" 12" LONG | 1        | EA |
| 6    | 87792  | MUFFLER B SER CUMMINS          | 1        | EA |
| 7    | 87578  | EXHAUST CLAMP, BENT BOLT 3"    | 3        | EA |
| 8    | 87465  | TUBE EXHAUST, B SERIES, LONG   | 1        | EA |
| 9    | 87878  | TUBE EXHAUST, B SERIES, SHORT  | 1        | EA |
| 10   | 88013  | CLAMP EXHAUST 3" TORCTITE      | 1        | EA |
| 11   | 88016  | BRACKET 4 CYL CUMMINS EXHAUST  | 1        | EA |
| 12   | 74679  | PLUG 1/4" NPT SOCKET HEAD      | 1        | EA |



### TANKS

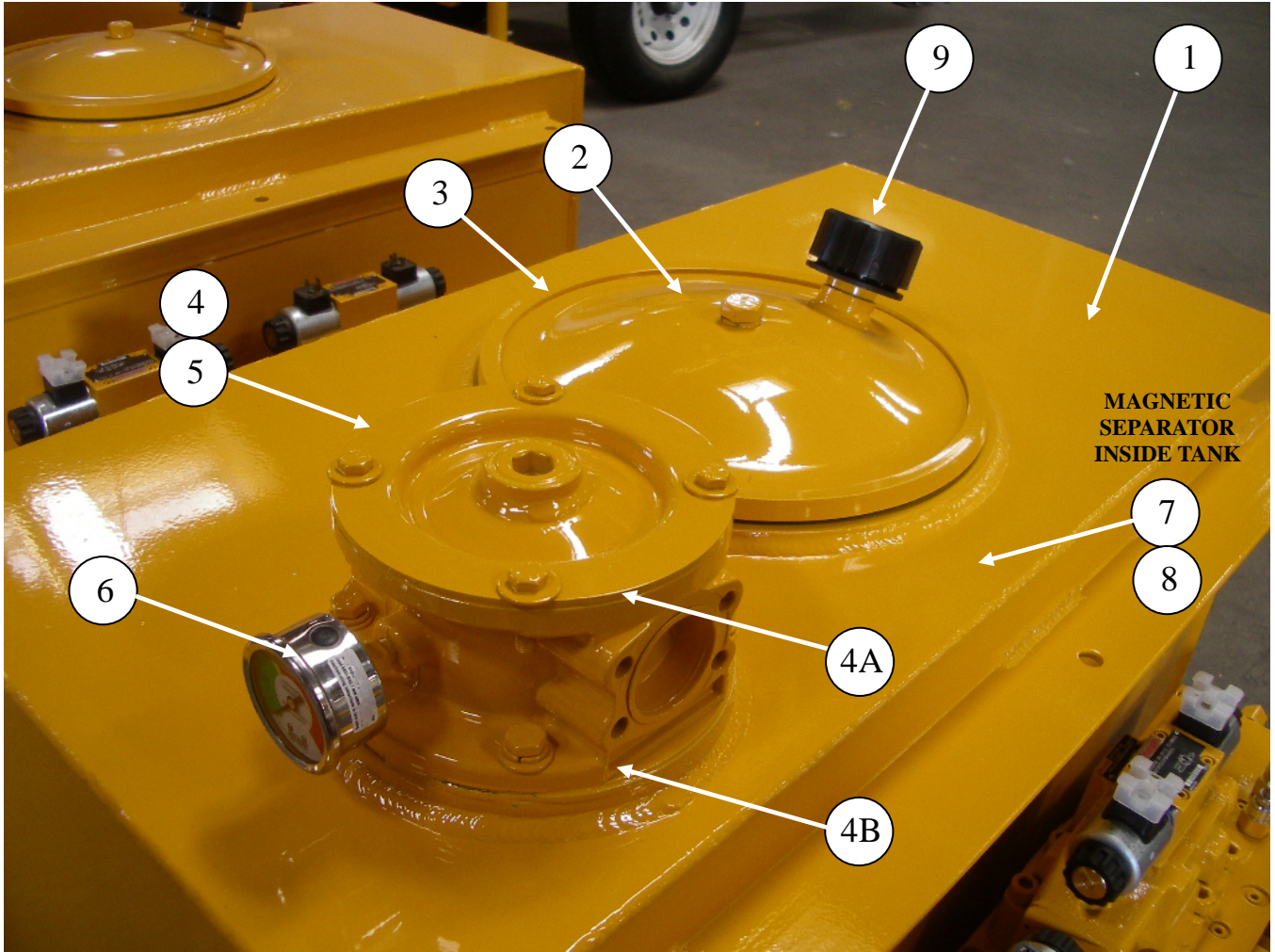
#### FUEL TANK ASSEMBLY



| ID # | PART # | PART DESCRIPTION             | QUANTITY |    |
|------|--------|------------------------------|----------|----|
|      | 88550  | FUEL TANK ASSY B-SERIES      | 1        | EA |
| 1    | 88268  | FUEL TANK WELDMENT, B-SERIES | 1        | EA |
| 2    | 85570  | FUEL CAP, 1 1/2 IN VENTED    | 1        | EA |
| 3    | 85362  | TUBE, FUEL PICKUP, B-SERIES  | 2        | EA |
| 4    | 85569  | FUEL GAUGE, 9 IN             | 1        | EA |
| 5    | 10297  | PLUG-GALV 1/2"               | 1        | EA |



### HYDRAULIC TANK ASSEMBLY



| ID # | PART #  | PART DESCRIPTION                  | QUANTITY |    |
|------|---------|-----------------------------------|----------|----|
|      | 85361   | HYD TANK ASSY B-SERIES            | 1        | EA |
| 1    | 85102   | HYDRAULIC TANK WELDMENT, B-SERIES | 1        | EA |
| 2    | 85529   | ENDCOVER KIT, 12 IN W/DRAIN       | 1        | EA |
| 3    | 85867   | GASKET- END COVER 12"             | 1        | EA |
| 4    | 85282   | FILTER, RETURN, TANK MOUNTED      | 1        | EA |
| 4A   | BW10241 | SEAL KIT FOR 85282 FILTER RETURN  | 1        | EA |
| 4B   | 85282-G | GASKET-CORK                       | 1        | EA |
| 5    | 85283   | FILTER ELEMENT, PN 85282 FILTER   | 1        | EA |
| 6    | 85575   | GAUGE, PN 85282 RETURN FILTER     | 1        | EA |
| 7    | 79247   | MAGNETIC SEPERATOR 1 1/4 " NPT    | 1        | EA |
| 8    | 800230  | MAGNETIC SEPARATOR,3"NPT          | 1        | EA |
| 9    | 85537   | FILLER BREATHER, 3/4 NPT          | 1        | EA |

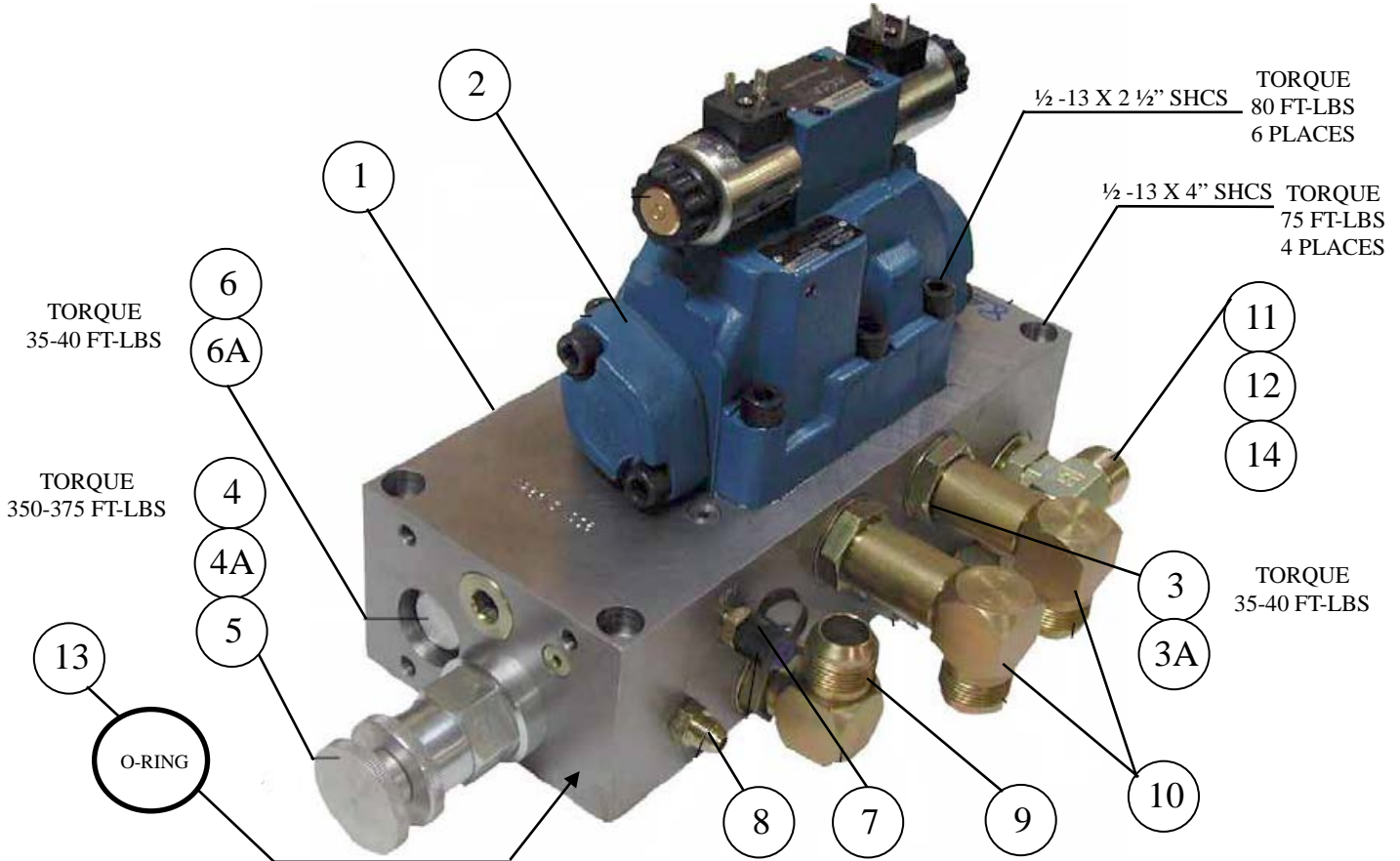
### HYDRAULIC TANK ASSEMBLY CONTINUED



| ID # | PART #  | PART DESCRIPTION                 | QUANTITY |     |
|------|---------|----------------------------------|----------|-----|
| 1    | 74509   | GAUGE-SIGHT/TEMPERATURE          | 1        | EA  |
| 2    | 801025  | DRAIN COCK, 1/4 NPT              | 1        | EA  |
| 3    | BG-12   | 3/4" SAE PLUG                    | 1        | EA  |
| 4    | 70366   | PRESSURE GAUGE, 3000 PSI/BAR     | 1        | EA  |
| 5    | 74562   | PRESSURE GAUGE, 6000 PSI/BAR     | 1        | EA  |
| 6    | 78594   | MINICHECK GAUGE ADAPTOR, 1/4 NPT | 2        | EA  |
| 7    |         | HOFFMAN PLUG                     | 1        | A/R |
| 8    | 87154   | SOLENOID VALVE ASSY (REMIX-DUMP) | 1        | EA  |
| 9    | 87249   | COIL                             | 1        | A/R |
| 10   | 87154-C | CARTRIDGE                        | 1        | A/R |

### MANIFOLDS

### DRIVE CYLINDER CIRCUIT MANIFOLD ASSEMBLY



| ID # | PART #    | PART DESCRIPTION                    | QUANTITY |    |
|------|-----------|-------------------------------------|----------|----|
|      | 85248     | MANIFOLD, CYLINDER CIRCUIT ASSEMBLY | 1        | EA |
| 1    | 86820     | MANIFOLD, MACHINED CYLINDER CIRCUIT | 1        | EA |
| 2    | 85689     | SOLENOID VALVE, DRIVE CYLINDER      | 1        | EA |
| 3    | 85696     | RELIEF VALVE CARTRIDGE              | 1        | EA |
| 3A   | 85696-SK  | SEAL KIT                            |          |    |
| 4    | 85697     | FLOW CONTROL CARTRIDGE              | 1        | EA |
| 4A   | 85697-SK  | SEAL KIT                            |          |    |
| 5    | 86947     | KNOB KIT, ALUMINUM                  | 1        | EA |
| 6    | 85698     | CHECK VALVE CARTRIDGE               | 1        | EA |
| 6A   | 85698-SK  | SEAL KIT                            |          |    |
| 7    | 78593     | MINICHECK ADAPTOR, SAE 4            | 1        | EA |
| 8    | 86900-002 | ADAPTOR, MB-MJ-4-6                  | 1        | EA |
| 9    | 86728-023 | ELBOW, MB-MJ45-16-16                | 1        | EA |
| 10   | 86904-012 | ELBOW, MB-MJ90LL-16-16              | 2        | EA |
| 11   | 86945-001 | TEE, MJ-MB-MJT-16                   | 1        | EA |
| 12   | 86905-016 | ELBOW, MJ-FJX90-16-16               | 1        | EA |
| 13   | 86946     | O-RING #230 BUNA 90DUR              | 1        | EA |
| 14   | 86948-001 | REDUCER, JIC MJ-FJ-10-16            | 1        | EA |





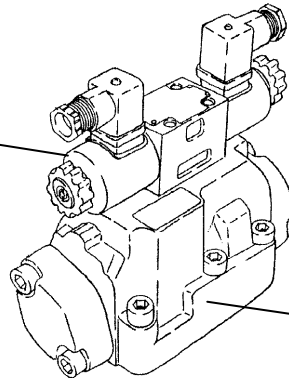
# B50v08 B50HPv08

PARTS

13822 Oaks Avenue  
Chino, CA 91710  
reedpumps.com  
(909) 287 - 2100

## DRIVE CYLINDER CIRCUIT MANIFOLD ASSEMBLY CONT.

DRIVE CYLINDER  
PILOT SOLENOID  
VALVE



DRIVE CYLINDER VALVE  
ASSEMBLY COMPLETE  
**85689**

DRIVE CYLINDER  
MAIN VALVE

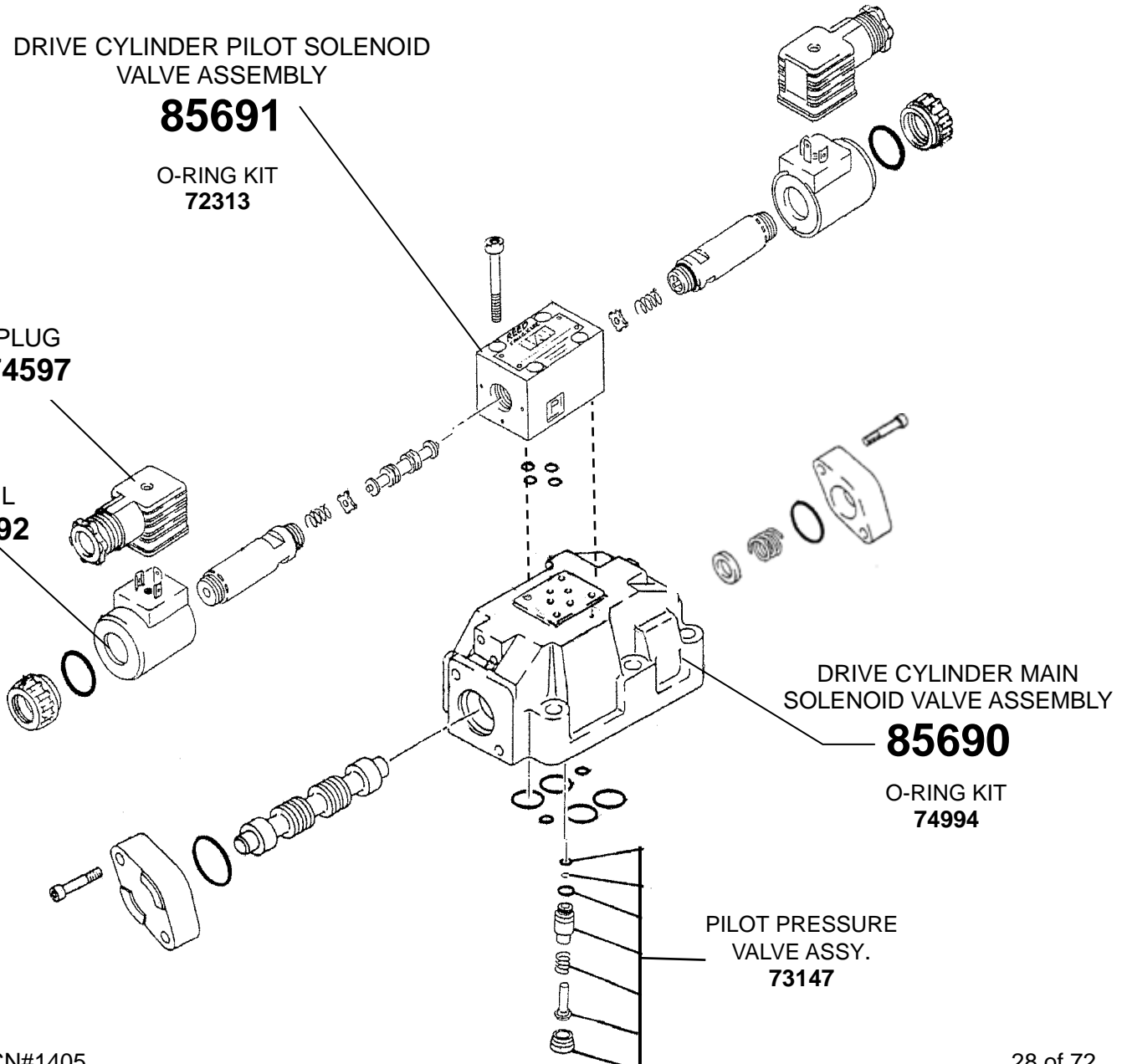
DRIVE CYLINDER PILOT SOLENOID  
VALVE ASSEMBLY

**85691**

O-RING KIT  
72313

PLUG  
74597

COIL  
85692

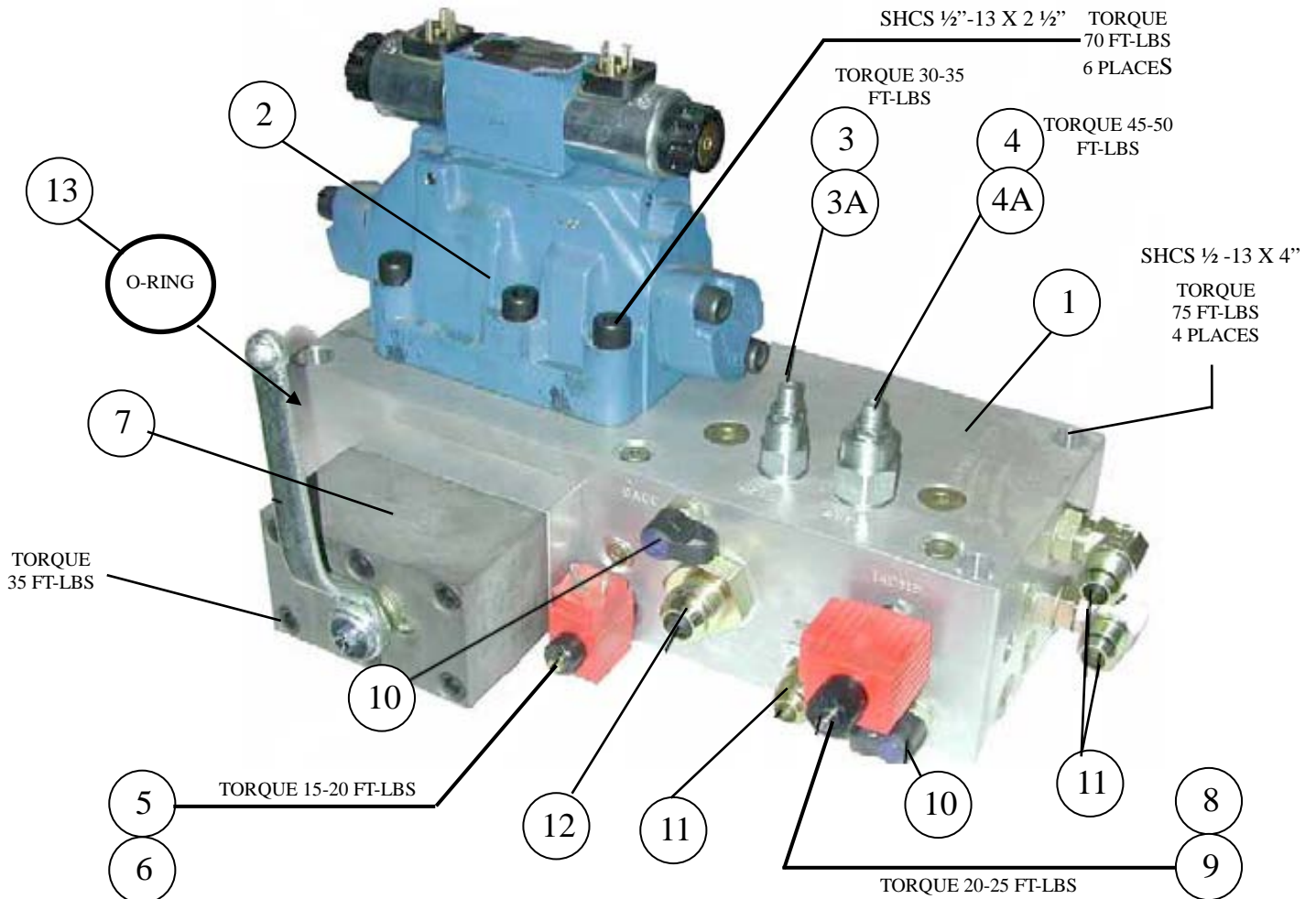


DRIVE CYLINDER MAIN  
SOLENOID VALVE ASSEMBLY  
**85690**

O-RING KIT  
74994

PILOT PRESSURE  
VALVE ASSY.  
73147

### S-TUBE CIRCUIT MANIFOLD ASSEMBLY



| ID # | PART #    | PART DESCRIPTION                  | QUANTITY |    |
|------|-----------|-----------------------------------|----------|----|
|      | 85249     | MANIFOLD, S-TUBE CIRCUIT ASSEMBLY |          |    |
| 1    | 86821     | MANIFOLD, MACHINED S-TUBE CIRCUIT | 1        | EA |
| 2    | 85693     | SOLENOID VALVE, S-TUBE SHIFT      | 1        | EA |
| 3    | 85704     | UNLOADER VALVE CARTRIDGE, (QCDB)  | 1        | EA |
| 3A   | 85704-SK  | SEAL KIT                          |          |    |
| 4    | 85703     | RELIEF VALVE CARTRIDGE, (RVEA)    | 1        | EA |
| 4A   | 85703-SK  | SEAL KIT                          |          |    |
| 5    | 87246     | SOLENOID VALVE CARTRIDGE, (12CHS) | 1        | EA |
| 6    | 87247     | COIL, 12VDC,                      | 1        | EA |
| 7    | 85705     | BALL VALVE,                       | 1        | EA |
| 8    | 87248     | SOLENOID VALVE CARTRIDGE, (14CHS) | 1        | EA |
| 9    | 87249     | COIL, 12V DC FOR PN-87248         | 1        | EA |
| 10   | 78593     | MINICHECK ADAPTOR, SAE            | 2        | EA |
| 11   | 86728-014 | ELBOW, MB-MJ90-10-10              | 2        | EA |
| 12   | 86900-027 | ADAPTOR, MB-MJ-16-12              | 1        | EA |
| 13   | 86946     | O-RING #230 BUNA 90DUR            | 1        | EA |

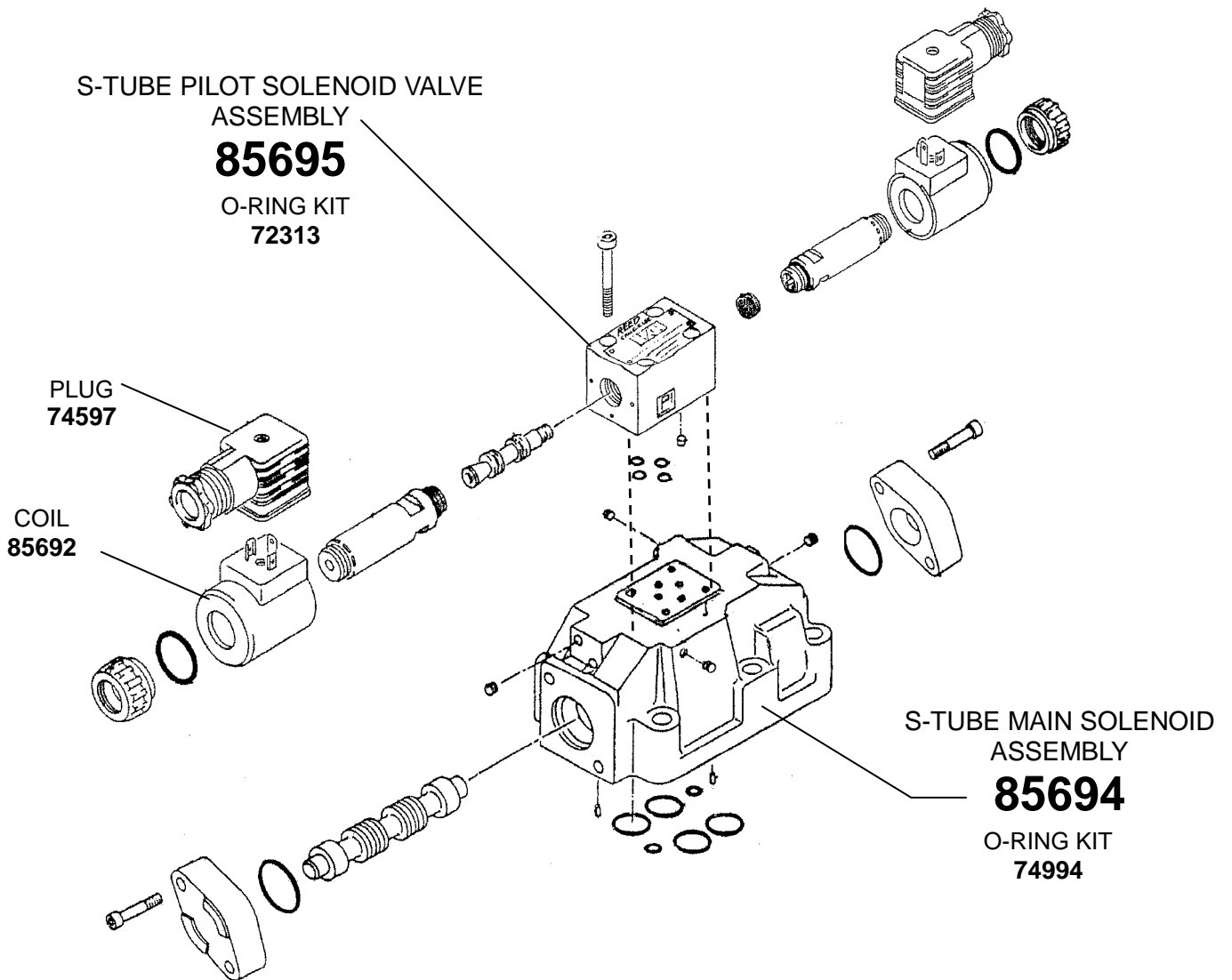
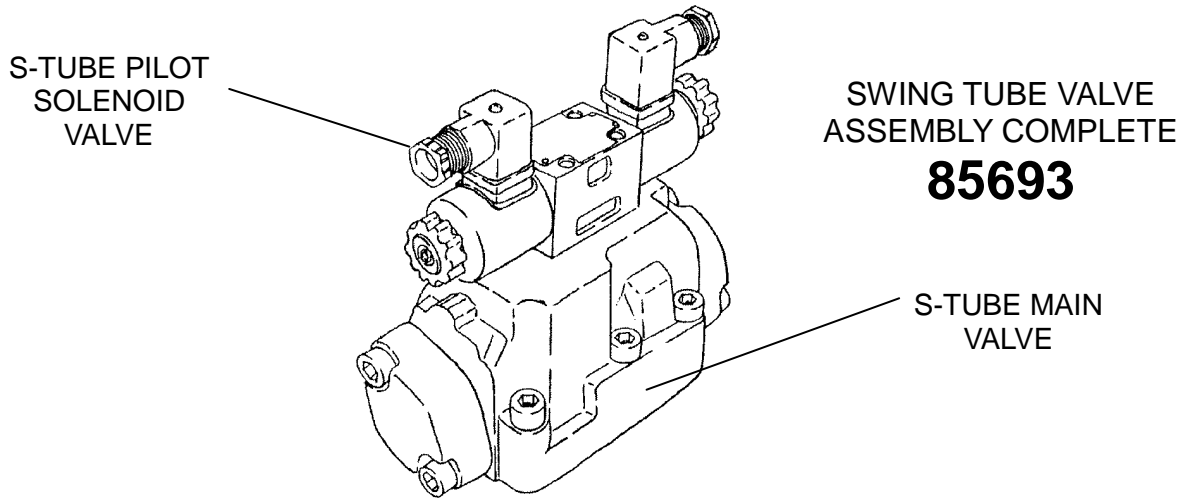


# B50v08 B50HPv08

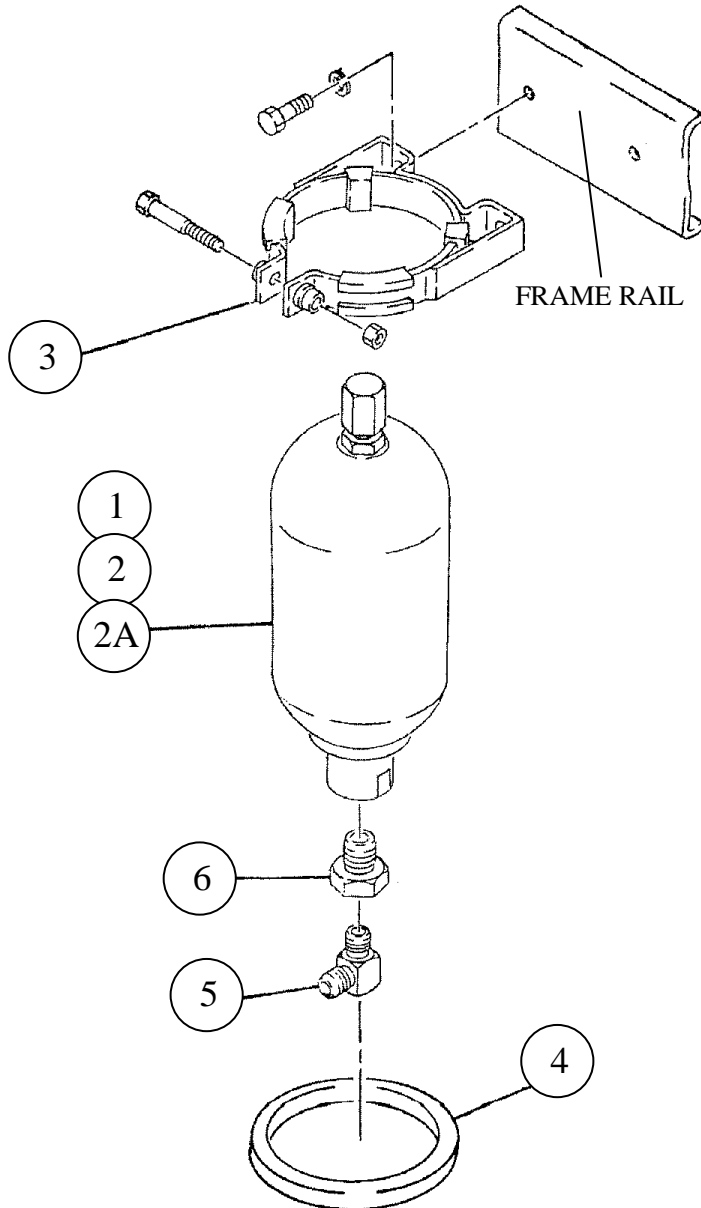
PARTS

13822 Oaks Avenue  
Chino, CA 91710  
reedpumps.com  
(909) 287 - 2100

## S-TUBE CIRCUIT MANIFOLD ASSEMBLY CONT.

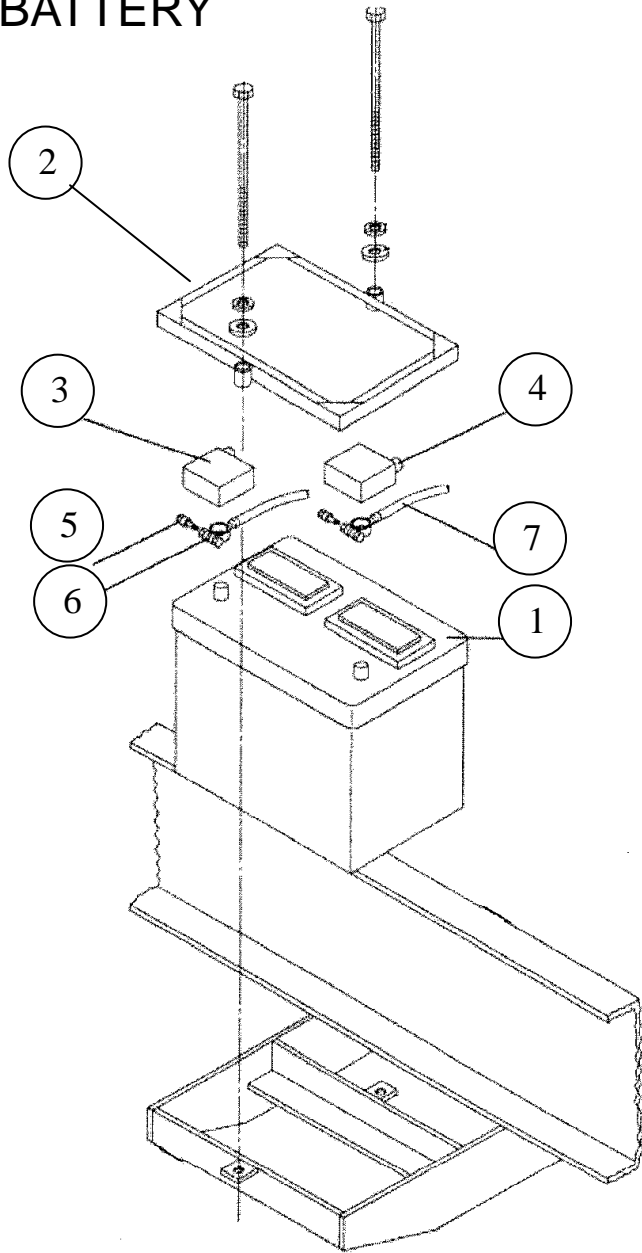


### ACCUMULATOR ASSEMBLY



| ID # | PART #    | PART DESCRIPTION                   | QUANTITY |    |
|------|-----------|------------------------------------|----------|----|
| 1    | 74515     | ACCUMULATOR-1 GAL 3000PSI          | 1        | EA |
| 2    | 74516     | BLADDER, 1 GAL.                    | 1        | EA |
| 2A   | 85812     | BLADDER SEAL KIT                   | 1        | EA |
| 3    | 73171     | ACCUMULATOR BKT.W/CLOSING HARDWARE | 1        | EA |
| 4    | 801028    | GROMMET, ACCUMULATOR               | 1        | EA |
| 5    | 86728-019 | ELBOW, MB-MJ90-12-12               | 1        | EA |
| 6    | 86920-20  | REDUCER MB-FB-20-12                | 1        | EA |

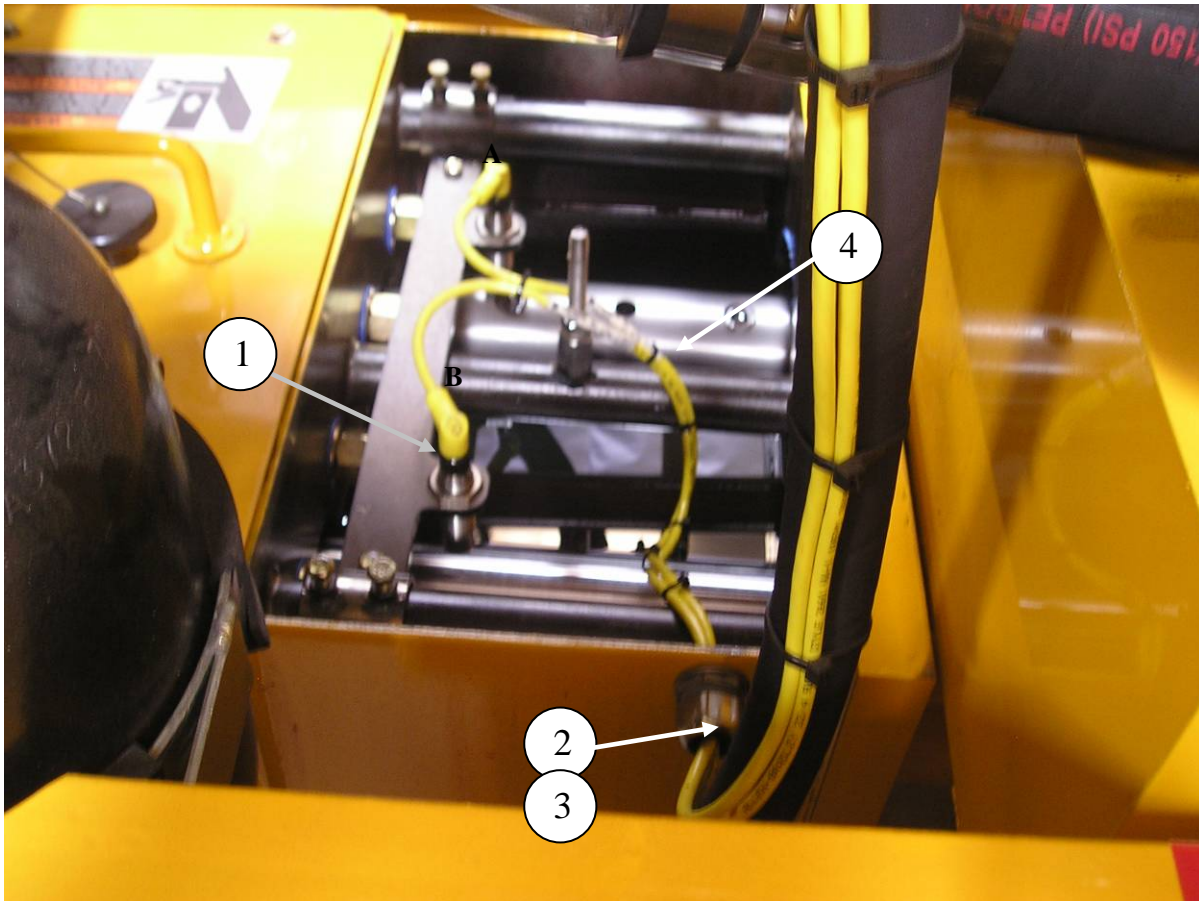
### ELECTRICAL GROUP BATTERY



| ID # | PART # | PART DESCRIPTION                    | QUANTITY |    |
|------|--------|-------------------------------------|----------|----|
|      | 87930  | ELECTRICAL GROUP B SER 2008 CUMMINS | 1        | EA |
| 1    | 77075  | BATTERY-12V 1000 CCA31              | 1        | EA |
| 2    | 72945  | BATTERY HOLD DOWN                   | 1        | EA |
| 3    | 87221  | INSULATOR, RIGHT ELBOW-RED          | 1        | EA |
| 4    | 87222  | INSULATOR, LEFT ELBOW-BLACK         | 1        | EA |
| 5    | 87223  | EXTENDER, TOP TERMINAL BOLT         | 2        | EA |
| 6    | 87732  | CABLE-43" BATTERY-RED 2/0           | 1        | EA |
| 7    | 87733  | CABLE-37" BATTERY-BLACK 2/0         | 1        | EA |

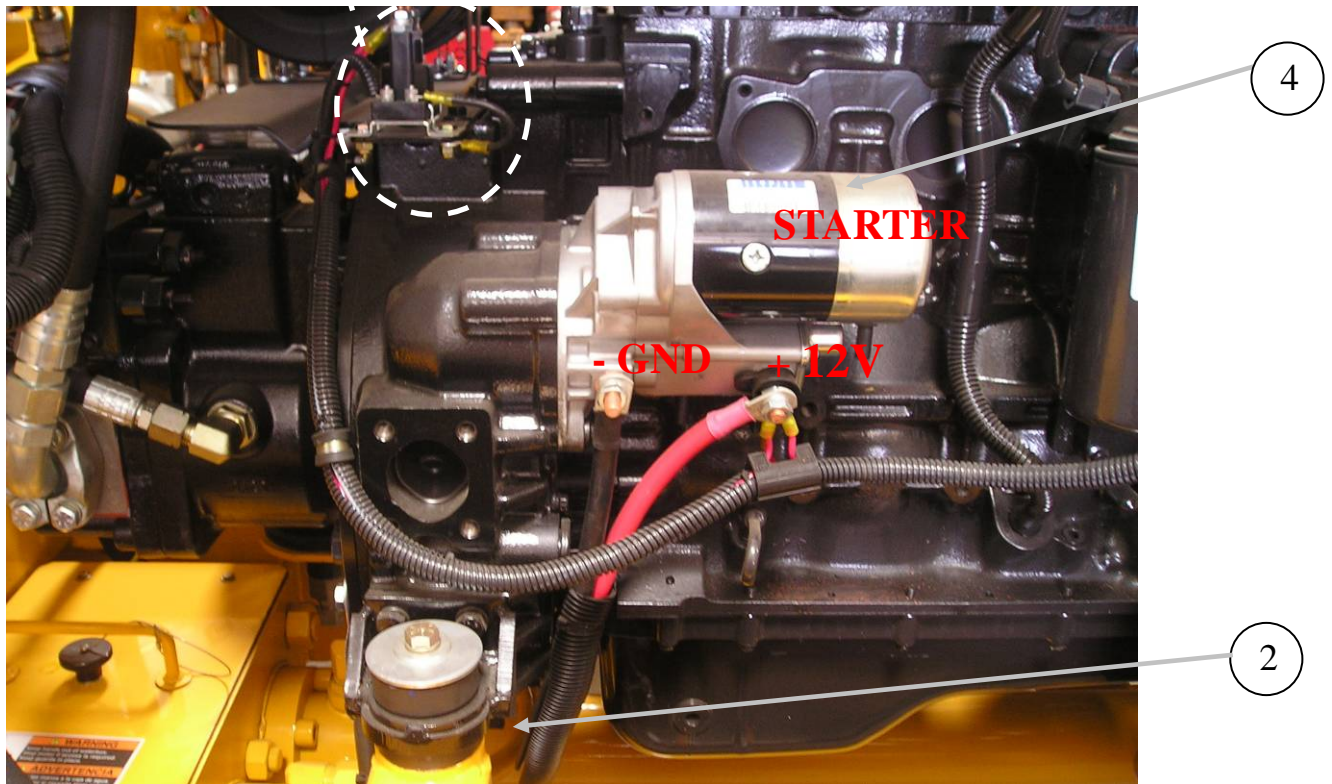
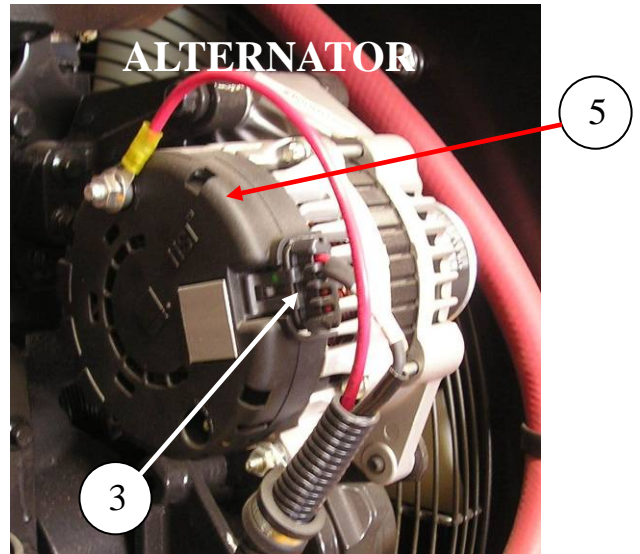
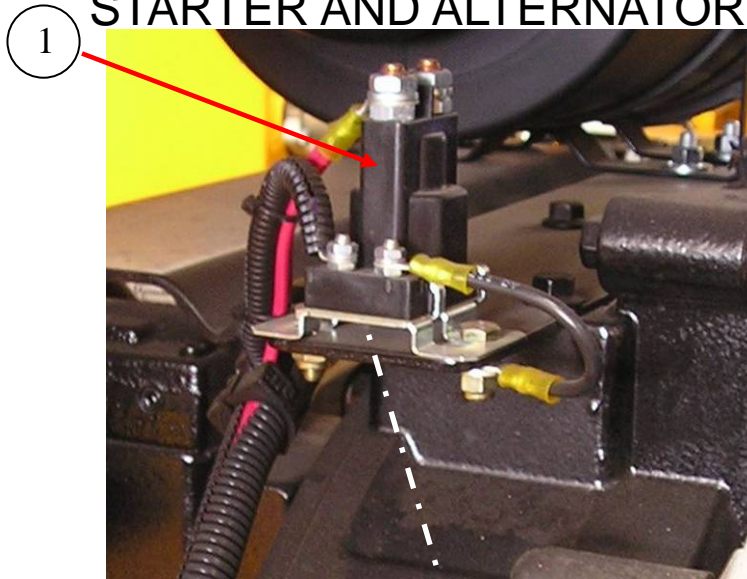


## PROXIMITY SWITCHES



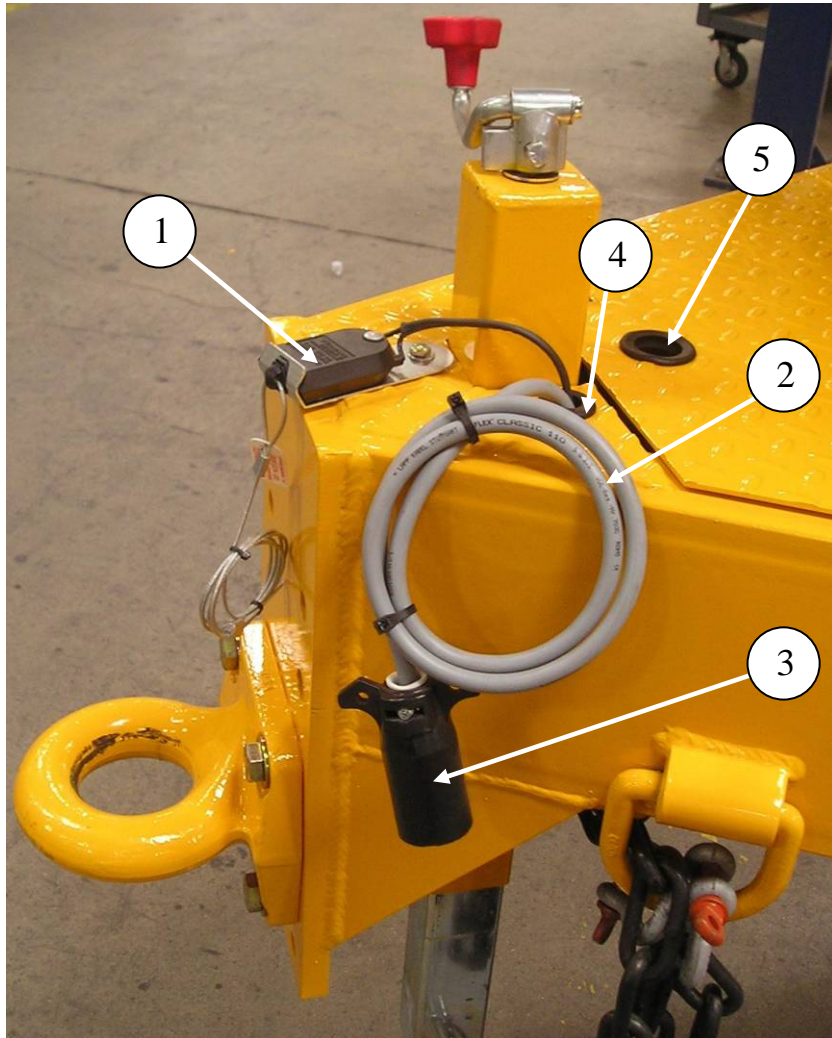
| ID # | PART # | PART DESCRIPTION                    | QUANTITY |    |
|------|--------|-------------------------------------|----------|----|
| 1    | 77998  | PROXIMITY SENSOR NPN FLUSH BOX MOUT | 2        | EA |
| 2    | 10522  | STRAIN RELIEF                       | 1        | EA |
| 3    | 10528  | NUT-1/2" BONDING TYPE LOCK          | 1        | EA |
| 4    | 77990  | CABLE, PROXIMITY SWITCH, 5M         | 2        | EA |

### STARTER AND ALTERNATOR



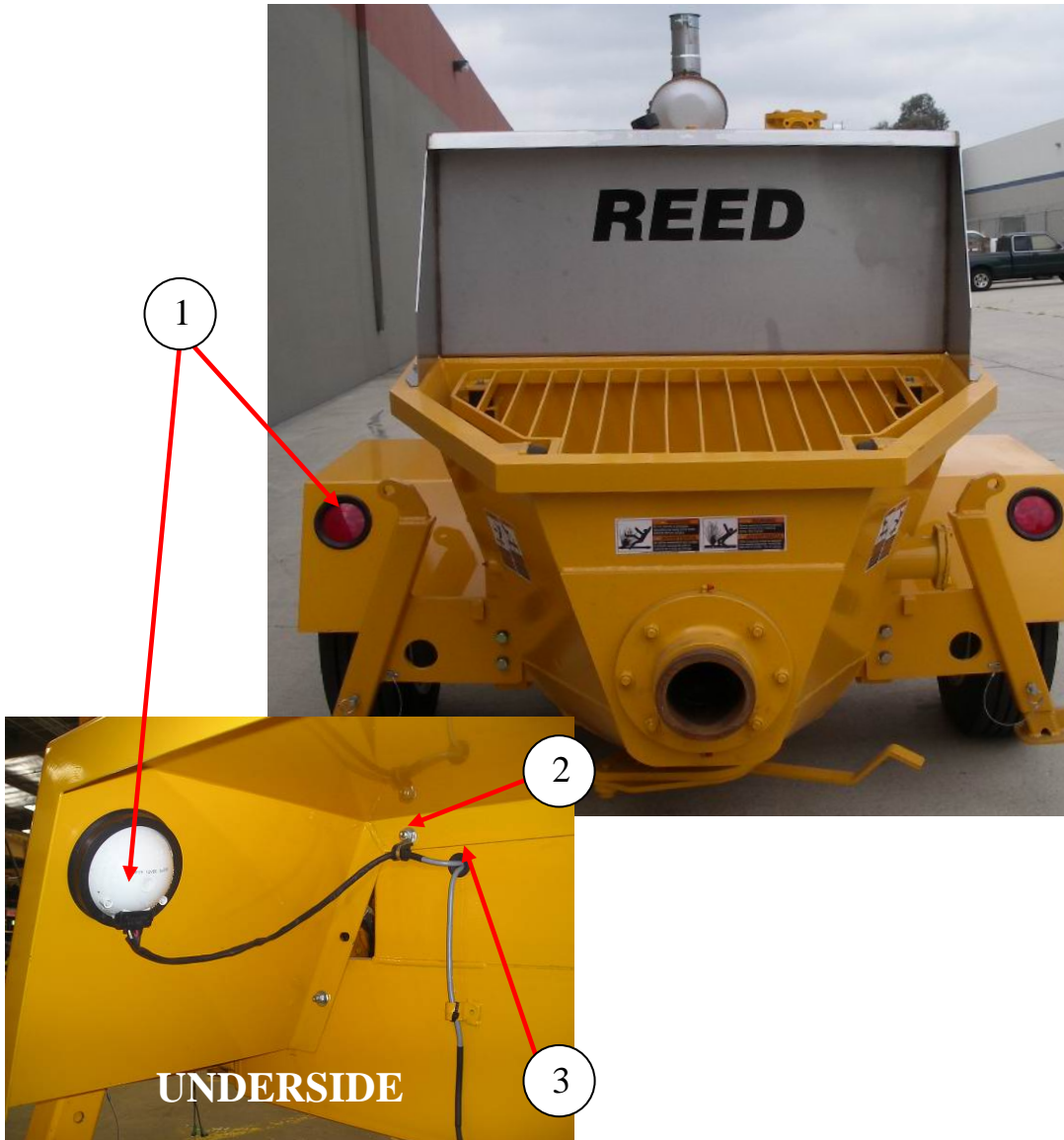
| ID # | PART #    | PART DESCRIPTION                    | QUANTITY |    |
|------|-----------|-------------------------------------|----------|----|
| 1    | 87541     | RELAY STARTER 12VDC-SELL W/87544    | 1        | EA |
| 2    | 73269     | GROUND STRAP                        | 1        | EA |
| 3    | 87669     | PIGTAIL HARNESS, FOR CUMMINS ALTERN | 1        | EA |
| 4    | 87725-006 | STARTER MOTOR                       | 1        | EA |
| 5    | 87725-007 | ALTERNATOR                          | 1        | EA |



**TRAILER HARNESS AND BREAKAWAY**

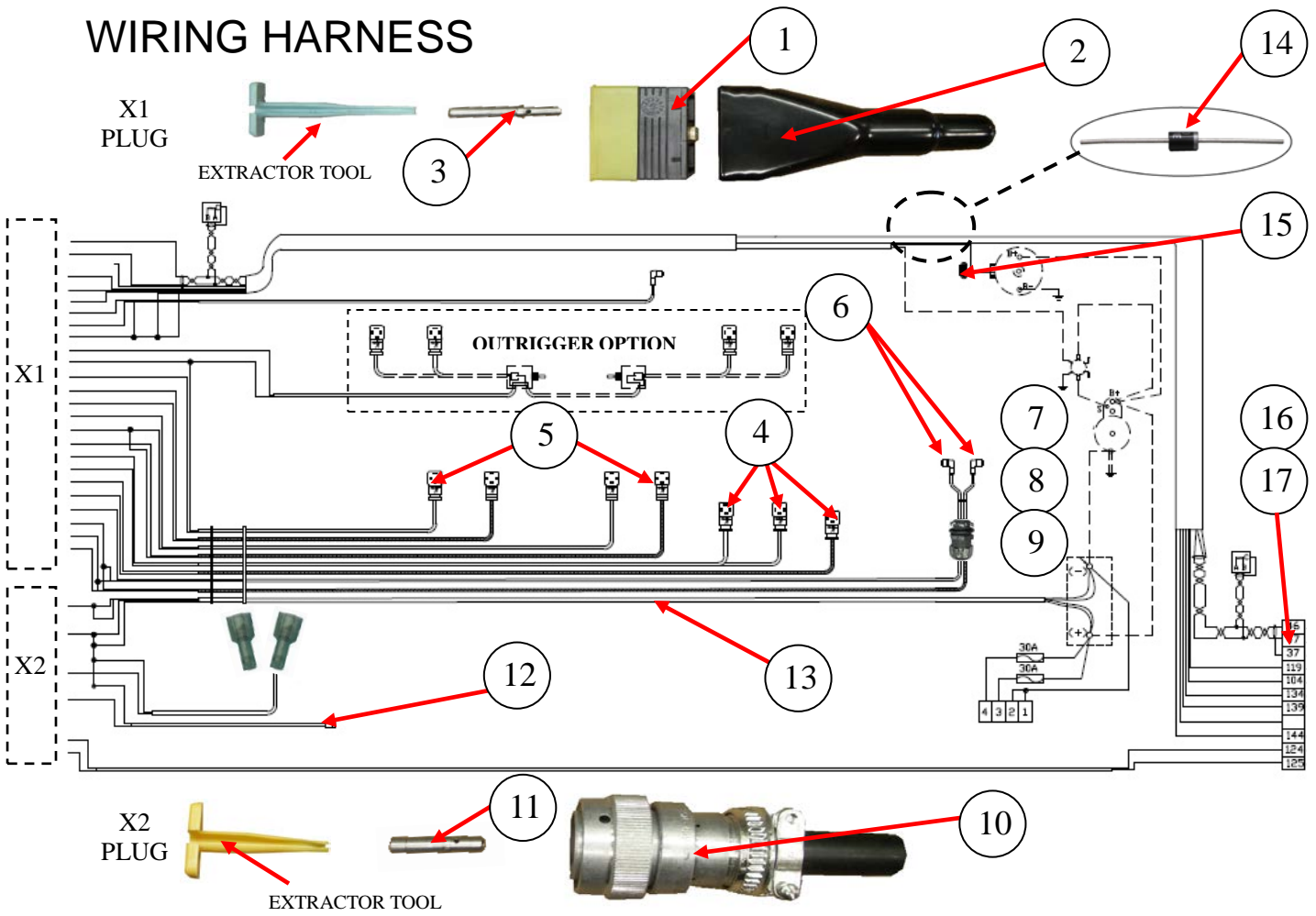
| ID # | PART # | PART DESCRIPTION          | QUANTITY |    |
|------|--------|---------------------------|----------|----|
| 1    | 77705  | BREAK-AWAY KIT            | 1        | EA |
| 2    | 86533  | TRAILER HARNESS- B-SERIES | 1        | EA |
| 3    | 86579  | TRAILER PLUG 7C FLAT PI   | 1        | EA |
| 4    | 72949  | GROMMET                   | 1        | EA |
| 5    | 72813  | GROMMET                   | 1        | EA |

### TAIL LIGHTS



| ID # | PART # | PART DESCRIPTION | QUANTITY |    |
|------|--------|------------------|----------|----|
| 1    | 72948  | TAIL LIGHT       | 2        | EA |
| 2    | 87665  | LOOM CLAMP 7/8"  | 2        | EA |
| 3    | 72949  | GROMMET          | 2        | EA |

### WIRING HARNESS



| ID # | PART #   | PART DESCRIPTION                      | QUANTITY |    |
|------|----------|---------------------------------------|----------|----|
|      | 87734-2  | WIRING HARNESS B SER HOPPER SAFETY    | 1        | EA |
| 1    | BW10145  | PLUG CONNECTOR                        | 1        | EA |
| 2    | BW10146  | BOOT, FOR BW10145 PLUG                | 1        | EA |
| 3    | BW10147  | PIN, FOR BW10145 PLUG                 | 24       | EA |
| 4    | 87540    | CABLE SOLENIOD VALVE, WITH DIN PLUG   | 3        | EA |
| 5    | 88243    | CABLE WITH 2 DIN PLUGS, 5M LONG, MURR | 2        | EA |
| 6    | 77990    | CABLES, PROXIMITY SWITCH, 5M          | 3        | EA |
| 7    | 10522    | STRAIN RELIEF                         | 1        | EA |
| 8    | 10528    | LOCKING NUT 1/2"                      | 1        | EA |
| 9    | 30240    | GASKET, LIQUID,TITE 1/2"              | 1        | EA |
| 10   | 87456    | PLUG CONNECTOR, 8 PIN                 | 1        | EA |
| 11   | 87457    | PIN, FOR 87456 PLUG                   | 8        | EA |
| 12   | 85615    | CABLE, 14 AWG-2C, PVC-GRY             | 15.5     | FT |
| 13   | 85617    | CABLE, 14 AWG-4C, PVC-GRY             | 9        | FT |
| 14   | 77640    | DIODE, IN4003                         | 1        | EA |
| 15   | 87669    | PIGTAIL HARNESS, FOR CUMMINS ALTERN   | 1        | EA |
| 16   | 87725-18 | HARNESS ASSY, FOR CUMMINS ENGINE      | 1        | EA |
| 17   | 87725-20 | CABLE,SENSING,FUEL/WATER SEPERATOR    | 1        | EA |

### CONTROLS

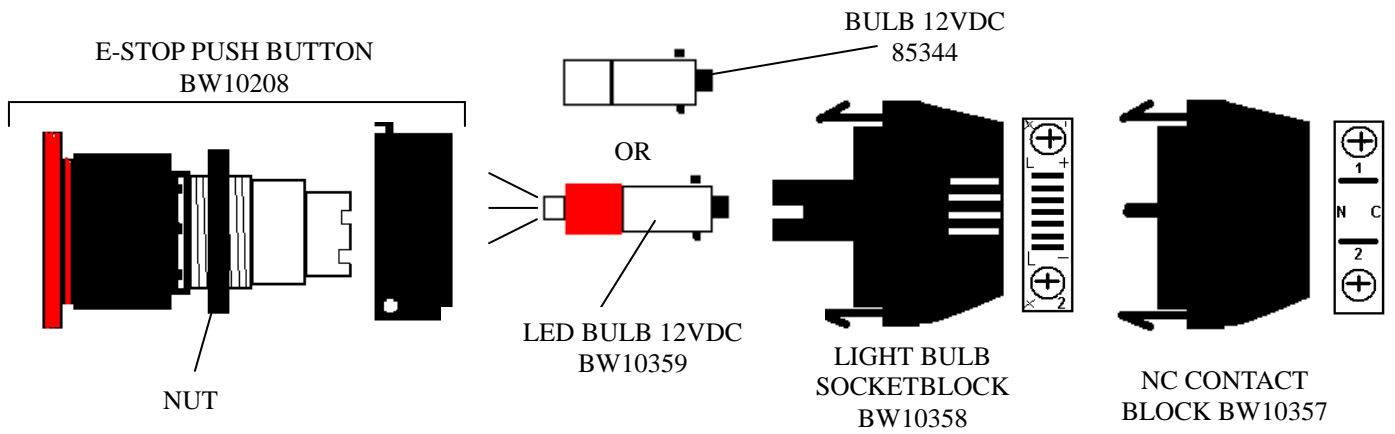
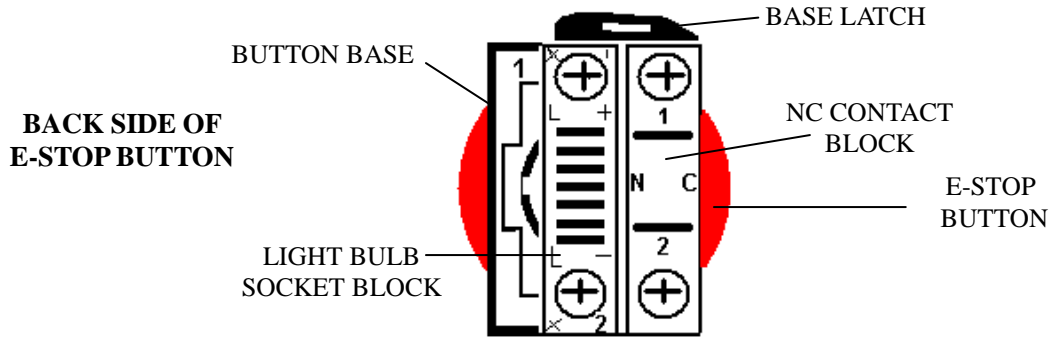
### B-SERIES CONTROL BOX



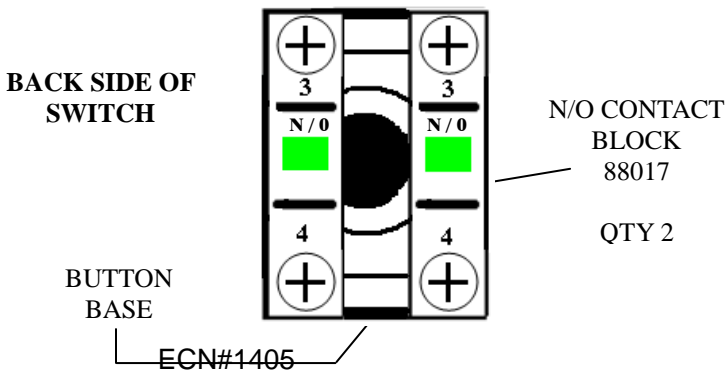
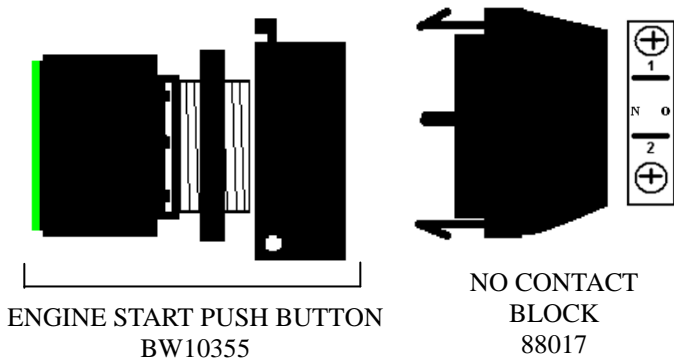
| ID # | PART #        | PART DESCRIPTION                             | QUANTITY |    |
|------|---------------|----------------------------------------------|----------|----|
|      | 87346-2       | CONTROL BOX, REV-H                           | 1        | EA |
| 1    | BW10372       | SW,TOGGLE, (ON-OFF-ON) VIBRATOR              | 1        | EA |
| 2    | BW10207       | SW,TOGGLE, (ON-OFF) PUMP ON/OFF & FWD/REV    | 2        | EA |
| 3    | BW10223       | SW,TOGGLE, (ON-ON) LOCAL/REMOTE              | 1        | EA |
| 4    | BW10206       | SW,TOGGLE,(ON-OFF) STROKE CHANGE& HORN       | 2        | EA |
| 5    | BW10205       | SW,TOGGLE,(ON-OFF-ON) RPM+/- & VOLUME+/-     | 2        | EA |
| 6    | BW10361       | SW, SEALING BOOT                             | 9        | EA |
| 7    | BW10208       | MUSHROOM HEAD MAINTANED BUTT.                | 1        | EA |
| 8    | BW10358       | E-STOP LIGHT(POWER SUPPLY)                   | 1        | EA |
| 9    | BW10357       | NC CONTACT BLOCK                             | 1        | EA |
| 10   | BW10359       | MIN, RED,LED, BULB                           | 1        | EA |
| 11   | 87952         | SW, (FAST CHANGE)                            | 1        | EA |
| 12   | BW10355       | SW, PB GRN FLUSH (ENG START)                 | 1        | EA |
| 13   | BW10354       | SW, KEYSWITCH BLK                            | 1        | EA |
| 13A  | BW10204-1     | KEY ONLY                                     | 2        | EA |
| 14   | 88017         | SW, CONTACT BLOCK N.O. (SYS ON) ( ENG START) | 3        | EA |
| 15   | BW10212       | MINI HOURMETER                               | 1        | EA |
| 16   | 87346-LCD     | DISPLAY,LCD 20CX4L W/BACKLIT                 | 1        | EA |
| 17   | BW10369       | LED, PILOT LIGHT, (GRN)                      | 3        | EA |
| 18   | BW10370       | LED, PILOT LIGHT, (RED)                      | 1        | EA |
| 19   | BW10371       | LED, PILOT LIGHT, (AMBER)                    | 1        | EA |
| 20   | 72862         | GAUGE FOR PROX.SENSOR SETTING                | 1        | EA |
| 21   | 87346-2-DECAL | DECAL FACEPLATE FOR 87346-2 BOX              | 1        | EA |



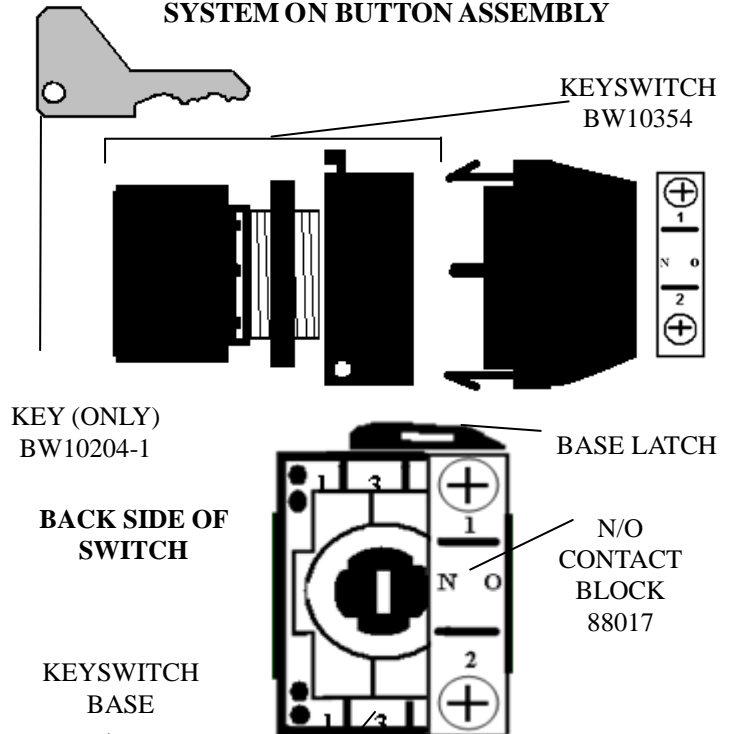
### CONTACT BLOCKS



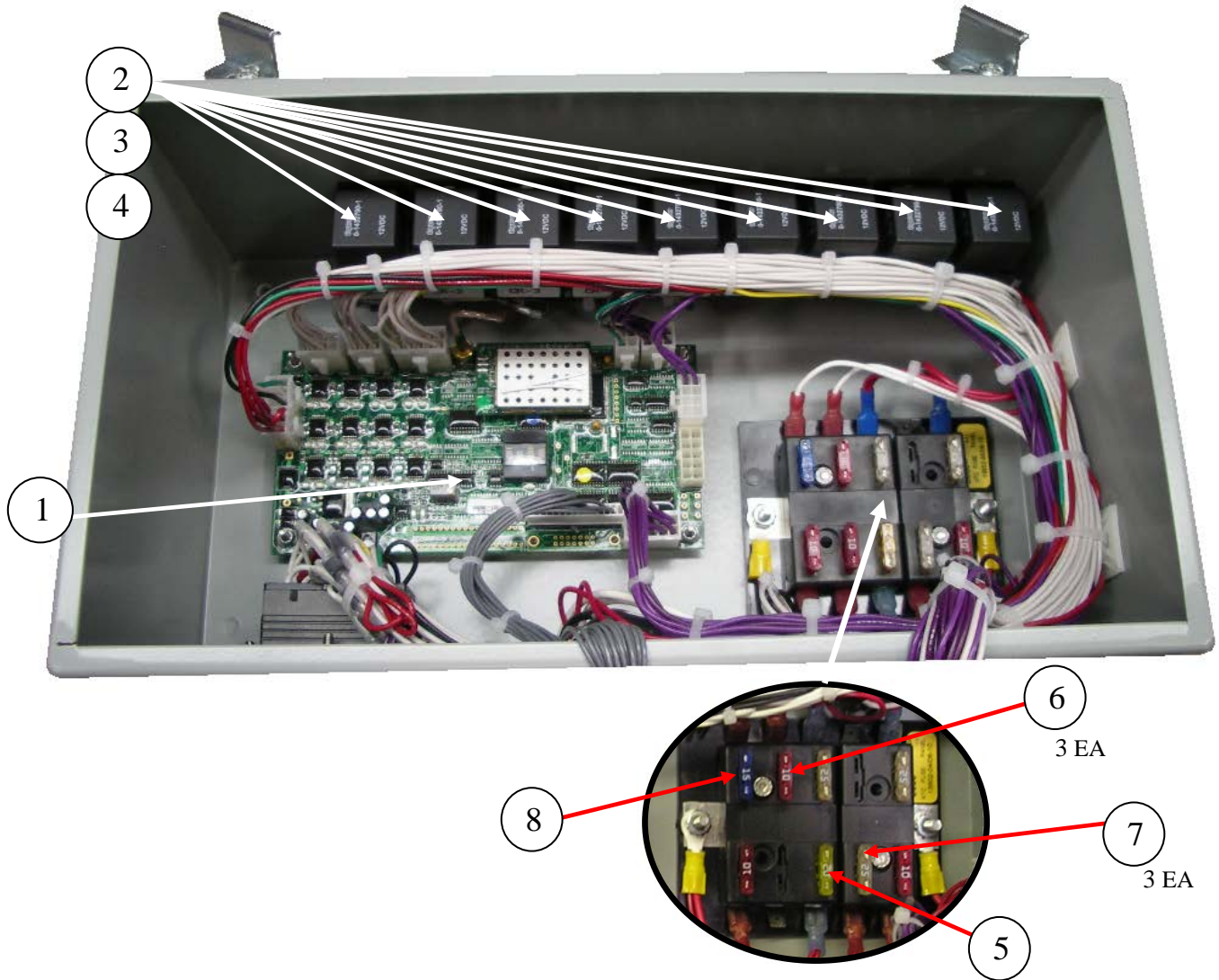
### ENGINE START BUTTON ASSEMBLY



### SYSTEM ON BUTTON ASSEMBLY



### RELAYS AND FUSES



| ID # | PART #        | PART DESCRIPTION       | QUANTITY |    |
|------|---------------|------------------------|----------|----|
| 1    | 87346-2-BOARD | CONTROL BOARD          | 1        | EA |
| 2    | 87970         | RELAY, DIODE SUPRESSED | 9        | EA |
| 3    | 72927         | RELAY, PINS            | 36       | EA |
| 4    | BW10224       | SOCKET,RELAY           | 9        | EA |
| 5    | 800448        | FUSE, 20A ATO          | 1        | EA |
| 6    | 800449        | FUSE, 10A ATO          | 3        | EA |
| 7    | 800447        | FUSE, 25A ATO          | 3        | EA |
| 8    | 90391         | FUSE, 15A ATO          | 1        | EA |

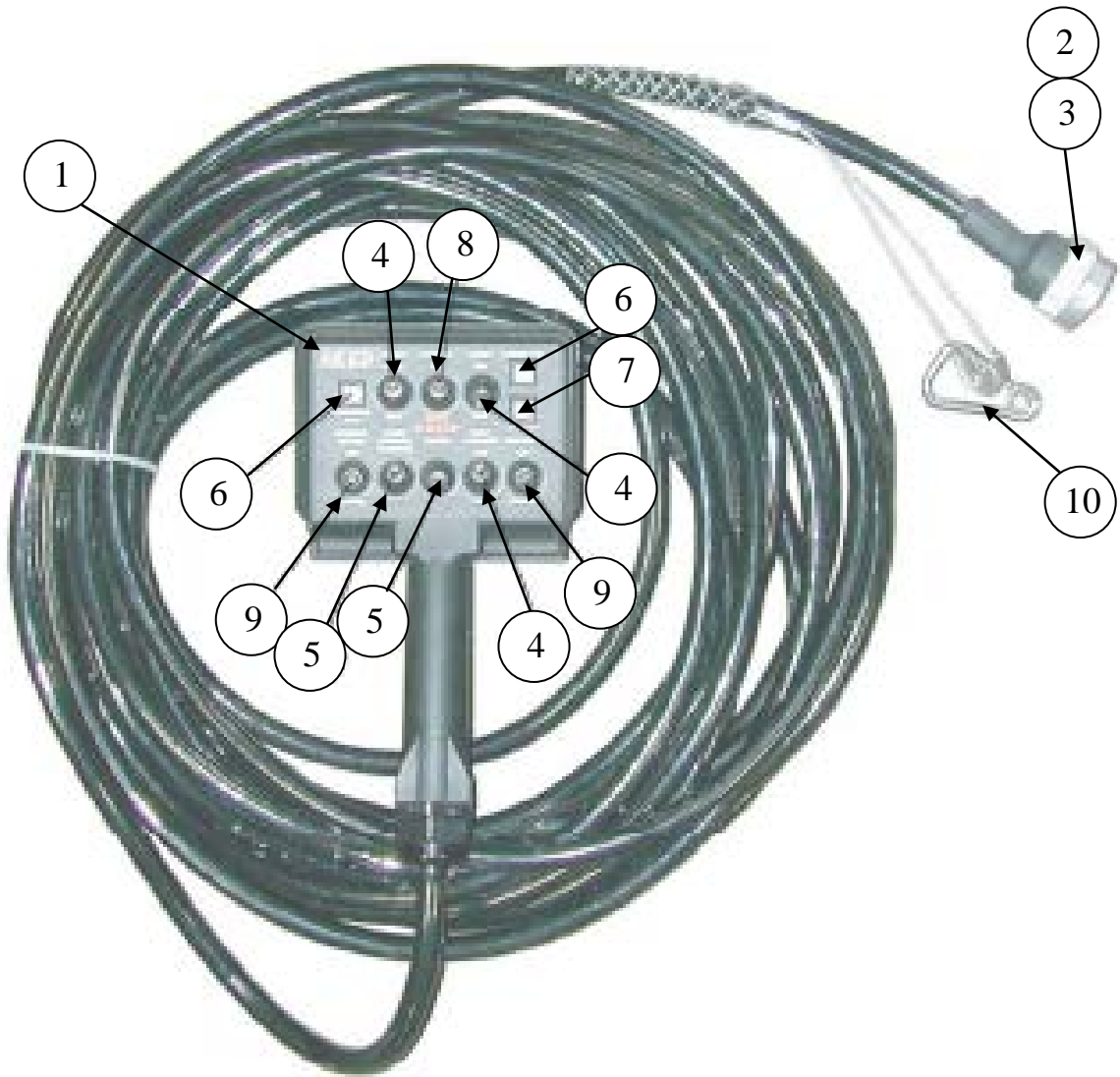


### CONNECTOR



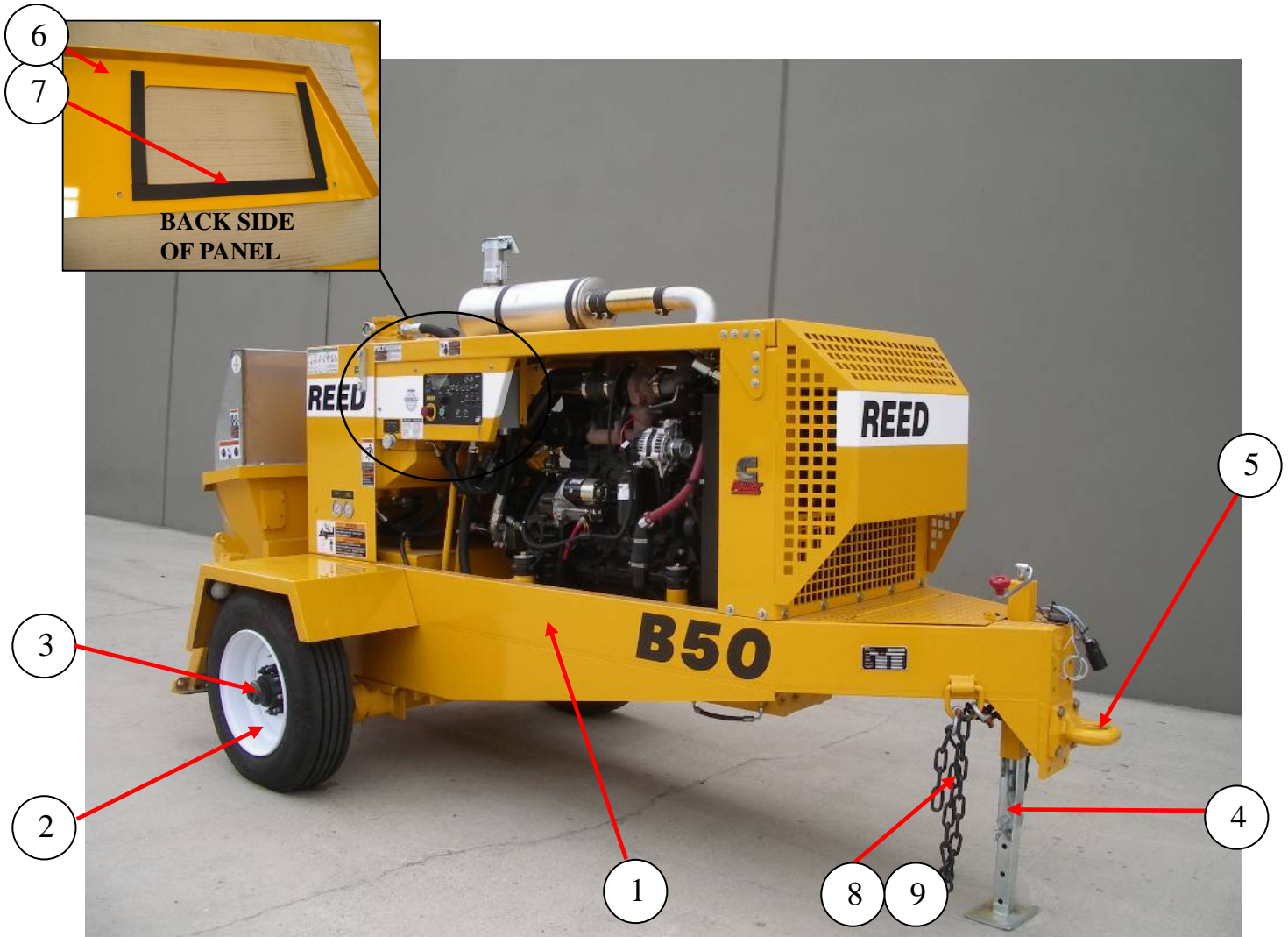
| ID # | PART #  | PART DESCRIPTION                        | QUANTITY |    |
|------|---------|-----------------------------------------|----------|----|
| 1    | BW10217 | CONN,DRC12-24PA ( <b>P1</b> )           | 1        | EA |
| 2    | BW10220 | CONN,DRC24-GASKET                       | 1        | EA |
| 3    | BW10221 | DEUTSCH PINS, (MALE)                    | 24       | EA |
| 4    |         | CONN,HD34-18-08PN ( <b>P2</b> )         | 1        | EA |
| 5    | 87807   | DEUTSCH PINS, (MALE)                    | 8        | EA |
| 6    |         | CONN, HD34-24-16SN 16 PIN ( <b>P4</b> ) | 1        | EA |
| 7    | 87808   | DEUTSCH PINS, (FEMALE)                  | 16       | EA |
| 8    | 88478   | CONN,HD34-18-14PN ( <b>P3</b> )         | 1        | EA |
| 9    | BW10221 | DEUTSCH PINS, (MALE)                    | 14       | EA |
| 10   | 88479   | NUT FOR 88478 CONN                      | 1        | EA |
| 11   | 88480   | WASHER FOR 887478 CONN                  | 1        | EA |

### 50 FT CABLE REMOTE



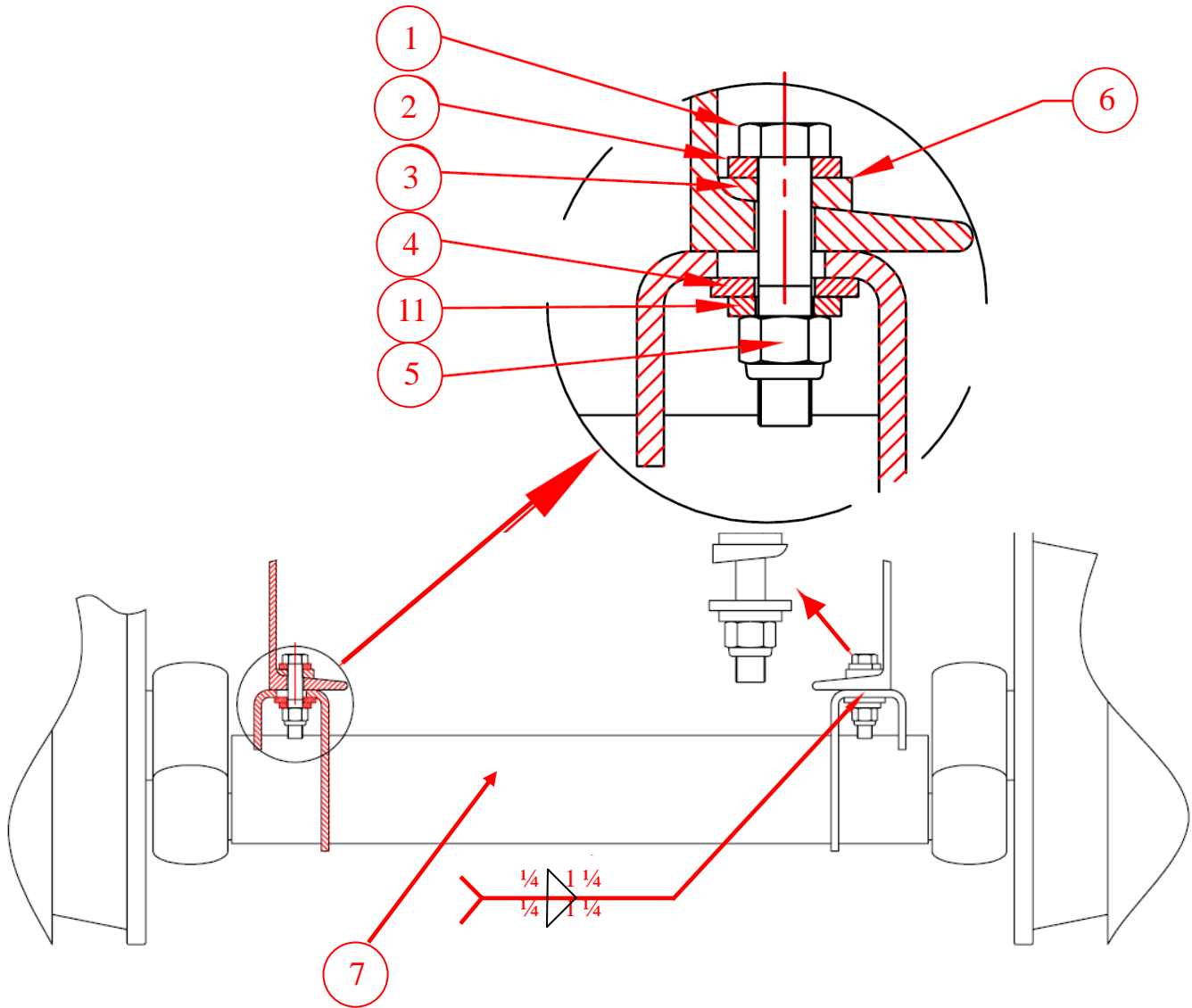
| ID # | PART #  | PART DESCRIPTION                                      | QUANTITY |    |
|------|---------|-------------------------------------------------------|----------|----|
| 1    | 87347-3 | REMOTE CONTROL, 87346 REV-D & UP                      | 1        | EA |
| 2    | 87915   | CONNECTOR, 87347-1 CABLE REMOTE                       | 1        | EA |
| 3    | BW10147 | PINS (FEMALE)                                         | 14       | EA |
| 4    | BW10207 | SW,TOGGLE, (ON-OFF) PUMP ON/OFF & FWD/REV FAST CHANGE | 3        | EA |
| 5    | BW10206 | SW,TOGGLE,(ON-OFF) HORN & STROKE CHANGE               | 2        | EA |
| 6    | 88170   | LED, CONTROL ON (GREEN)                               | 2        | EA |
| 7    | 88171   | LED, CONTROL ON (RED)                                 | 1        | EA |
| 8    | BW10223 | SW, POWER ON/ OFF                                     | 1        | EA |
| 9    | BW10205 | SW,TOGGLE,(ON-OFF-ON) RPM+/- & VOLUME+/-              | 2        | EA |
| 10   | 87875   | SPRING SNAP                                           | 1        | EA |
| REF  | BW10361 | SW, SEALING BOOT                                      | 8        | EA |

### FRAME INSTALLATION FRAME, TIRES, JACK, AND TOW EYE



| ID # | PART # | PART DESCRIPTION                    | QUANTITY |    |
|------|--------|-------------------------------------|----------|----|
|      | 88549  | FRAME ASSY B SER, 2007 W/CUMMINS    | 1        | EA |
| 1    | 88548  | FRAME WELDMENT B SER 2007 CUMMINS   | 1        | EA |
| 2    | 86923  | TIRE & WHEEL ASSY -215/75R17.5 H    | 2        | EA |
| 3    | 88033  | OIL CAP KIT(QUALITY)                | 2        | EA |
| 4    | 85527  | JACK WELDMENT                       | 1        | EA |
| 5    | 87037  | DRAW BAR                            | 1        | EA |
| 6    | 87449  | COVER CONTROL BOX, PAINTED          | 1        | EA |
| 7    | 13257  | WEATHERSTRIP, RUBBER, 5/32 X 1      | 30       | IN |
| 8    | 86730  | CHAIN-3/8 PROOF COIL GR 70 PHOSPATE | 5.5      | FT |
| 9    | 87085  | SHACKLE ANCHOR, SCREW PIN, 1/2 6600 | 4        | EA |

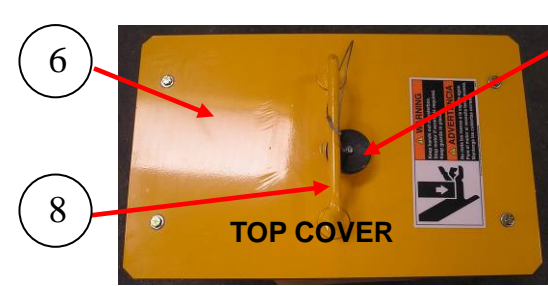
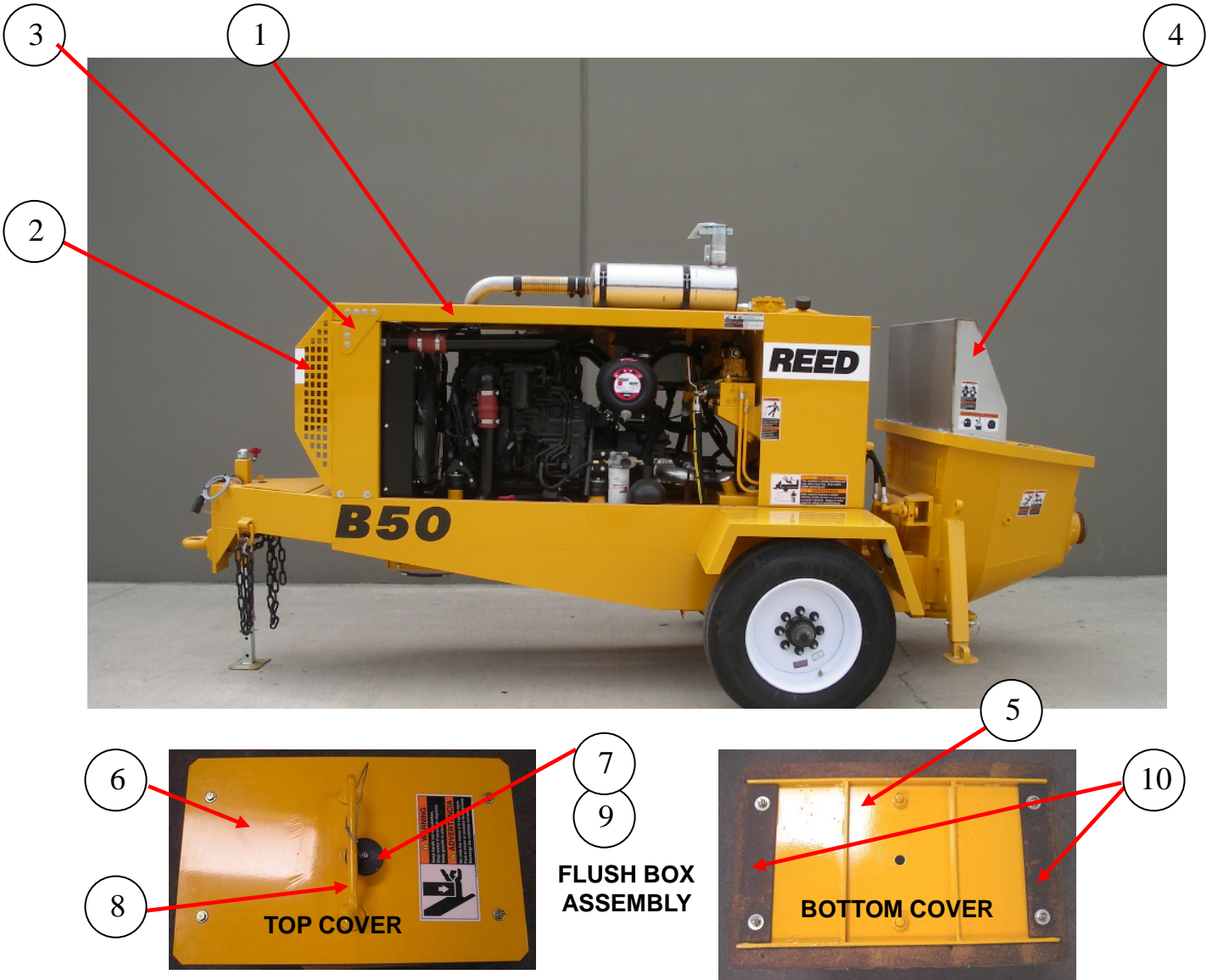
### 9000LB AXLE MOUNTING ASSEMBLY



| ID # | PART # | PART DESCRIPTION           | QUANTITY |    |
|------|--------|----------------------------|----------|----|
|      | 87542  | AXLE MOUNTING HARDWARE KIT | 1        | EA |
| 1    |        | 1/2" -20 X 2.5 HHCS GR8    | 4        | EA |
| 2    |        | 1/2" SAE WASHER            | 8        | EA |
| 3    |        | 1/2" USE WASHER            | 4        | EA |
| 4    |        | 1/2" SAE WASHER            | 4        | EA |
| 5    |        | 1/2" - 20 LOCK NUT         | 4        | EA |
| 6    |        | 1/2" BEVELED WASHER        | 4        | EA |
| 7    | 86924  | AXLE, TORSION, 9000 LB     | 1        | EA |



### HOOD AND COVERS



**FLUSH BOX ASSEMBLY**



| ID # | PART # | PART DESCRIPTION                    | QUANTITY |    |
|------|--------|-------------------------------------|----------|----|
| 1    | 87737  | COVER TOP, B SER CUMMINS PAINTED    | 1        | EA |
| 2    | 87681  | COVER FRONT WELD, B SER CUM PAINTED | 1        | EA |
| 3    | 87647  | GUSSET ENGINE COVER PAINTED         | 2        | EA |
| 4    | 85390  | SPLASH GUARD, B & C SERIES          | 1        | EA |
| 5    | 86106  | COVER ASSY, FLUSH BOX               | 1        | EA |
| 6    | 86010  | COVER WELDMENT, FLUSH BOX           | 1        | EA |
| 7    | 86105  | KNOB                                | 1        | EA |
| 8    | 79056  | HANDLE                              | 1        | EA |
| 9    | 800418 | LANYARD, Q/R PIN                    | 1        | EA |
| 10   | 87755  | GASKET, FOR FLUSH BOX LID           | 1        | EA |

### FENDERS AND OUTRIGGERS

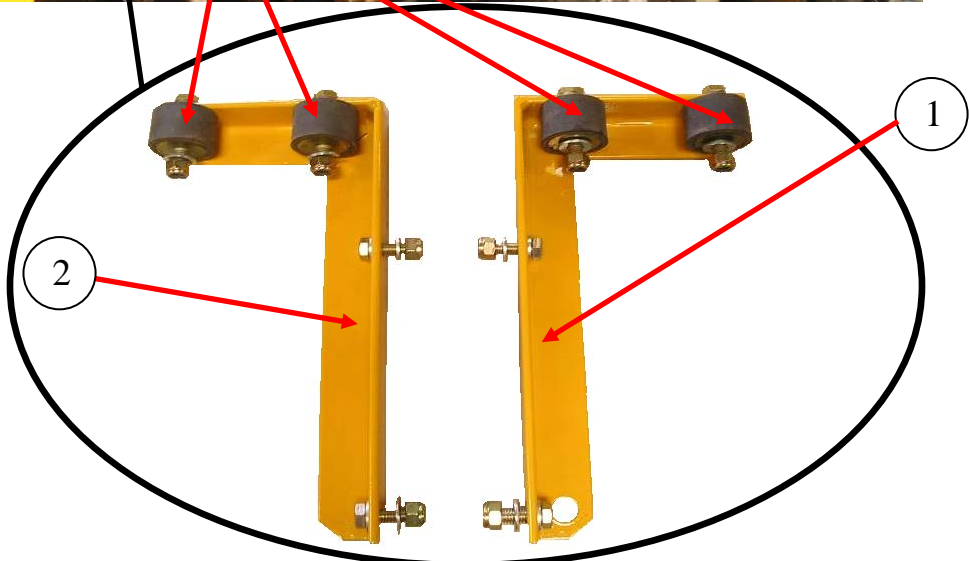
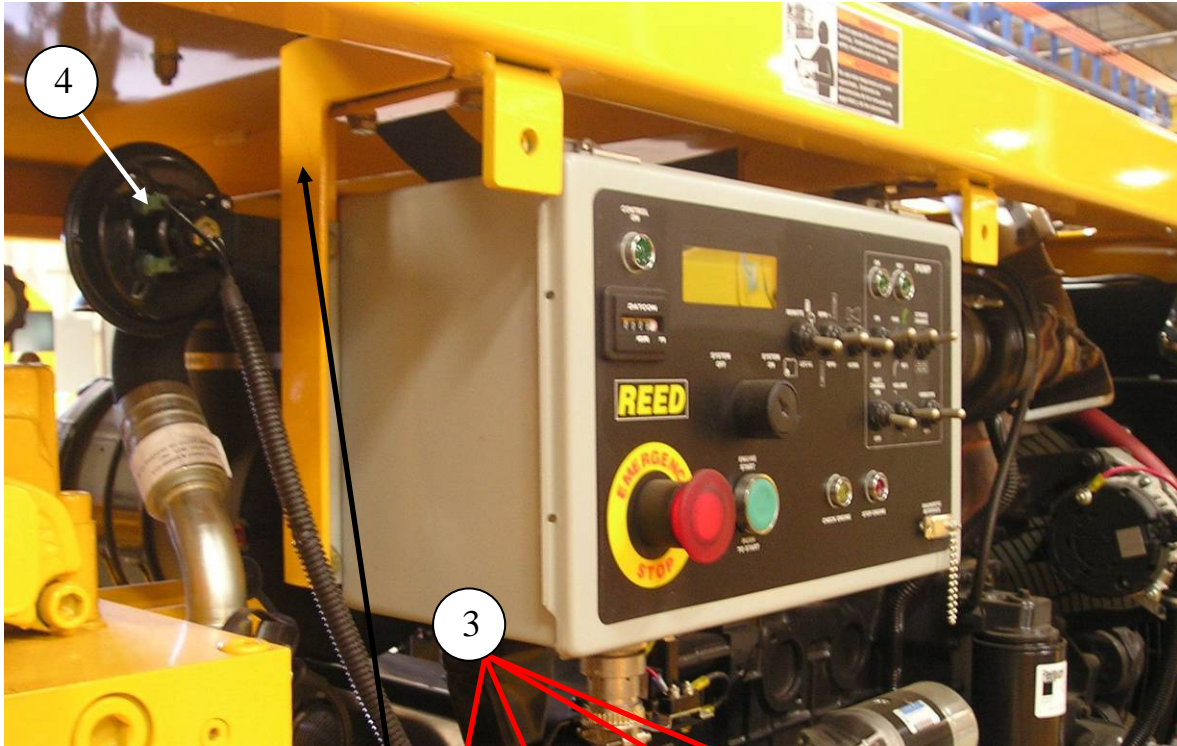


OUTRIGGER ASSEMBLY



| ID # | PART # | PART DESCRIPTION                 | QUANTITY |    |
|------|--------|----------------------------------|----------|----|
| 1    | 86959  | FENDER, RH, B SERIES PAINTED     | 1        | EA |
| 2    | 86960  | FENDER, LH, B SERIES PAINTED     | 1        | EA |
| 3    | 86553  | OUTRIGGER WELDMNT, INNER-PAINTED | 2        | EA |
| 4    | 86557  | OUTERTUBE, O/R B & C - PAINTED   | 2        | EA |
| 5    | 85595  | PIN, Q/R, 5/8 DIA X 3 1/2 L      | 2        | EA |
| 6    | 800418 | LANYARD, Q/R PIN                 | 2        | EA |

### CONTROL BOX MOUNT

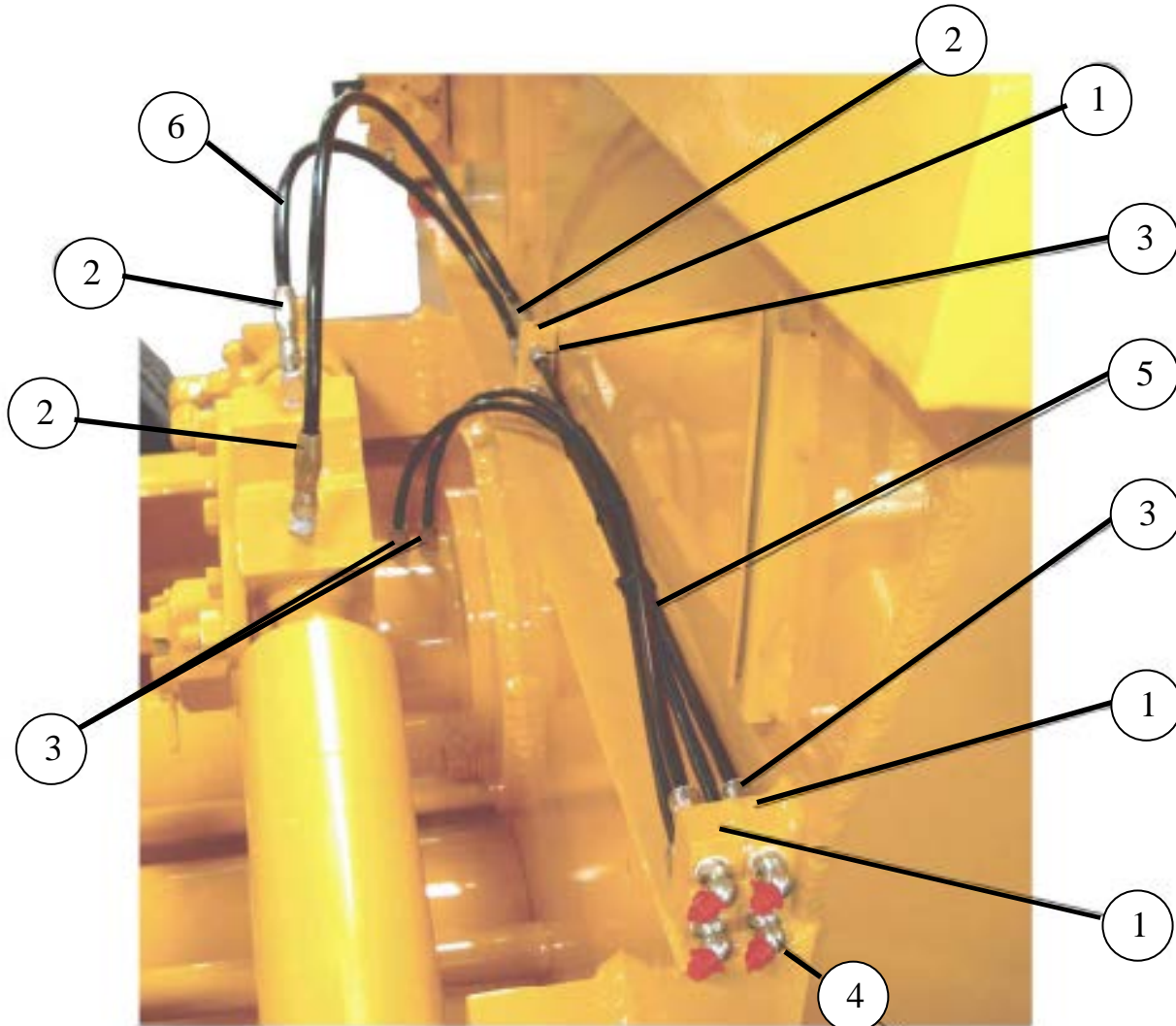


| ID # | PART # | PART DESCRIPTION           | QUANTITY |    |
|------|--------|----------------------------|----------|----|
| 1    | 87397  | ANGLE CONTROL BOX MOUNT RH | 1        | EA |
| 2    | 87398  | ANGLE CONTROL BOX MOUNT LH | 1        | EA |
| 3    | 73748  | BUMPER                     | 4        | EA |
| 4    | 800347 | HORN, 12V                  | 1        | EA |



## OPTIONS

### LUBE BLOCK



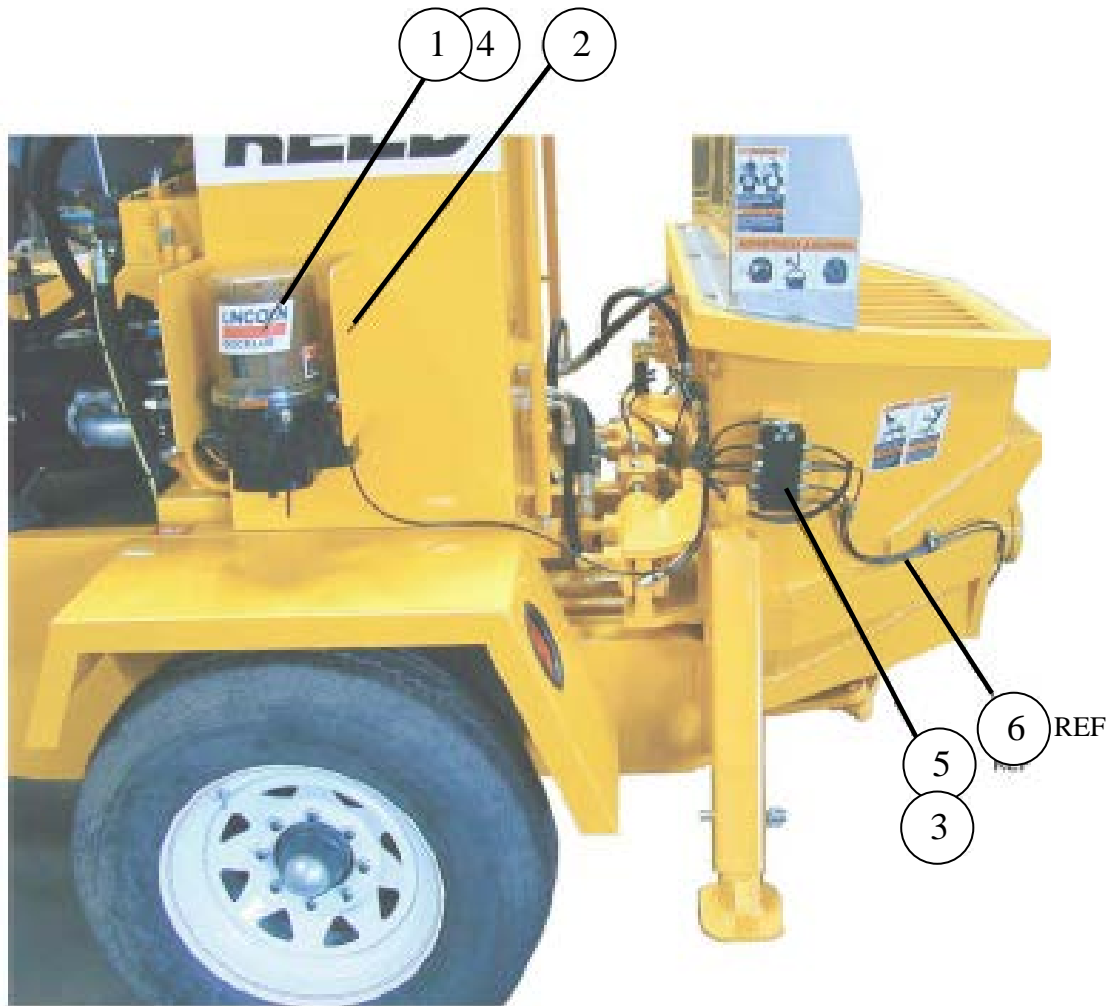
LUBE POINTS ARE AS FOLLOWS:  
BELL CRANK AND FLANGED BEARING

| ID # | PART # | PART DESCRIPTION                 | QUANTITY |    |
|------|--------|----------------------------------|----------|----|
|      | 87539  | ASSEMBLY, CENTRALIZED LUBE BLOCK | 1        | EA |
| 1    | 87437  | BLOCK                            | 3        | EA |
| 2    | 87628  | HOSE, COUPLING                   | 4        | EA |
| 3    | 87629  | FITTING, HOSE                    | 8        | EA |
| 4    |        | FITTING, GREASE                  | 4        | EA |
| 5    |        | HOSE, PLASTIC- ¼ " O.D. TUBING   | A/R      |    |
| 6    |        | HOSE, PLASTIC 5/16" O.D. TUBING  | A/R      |    |



### OPTIONS

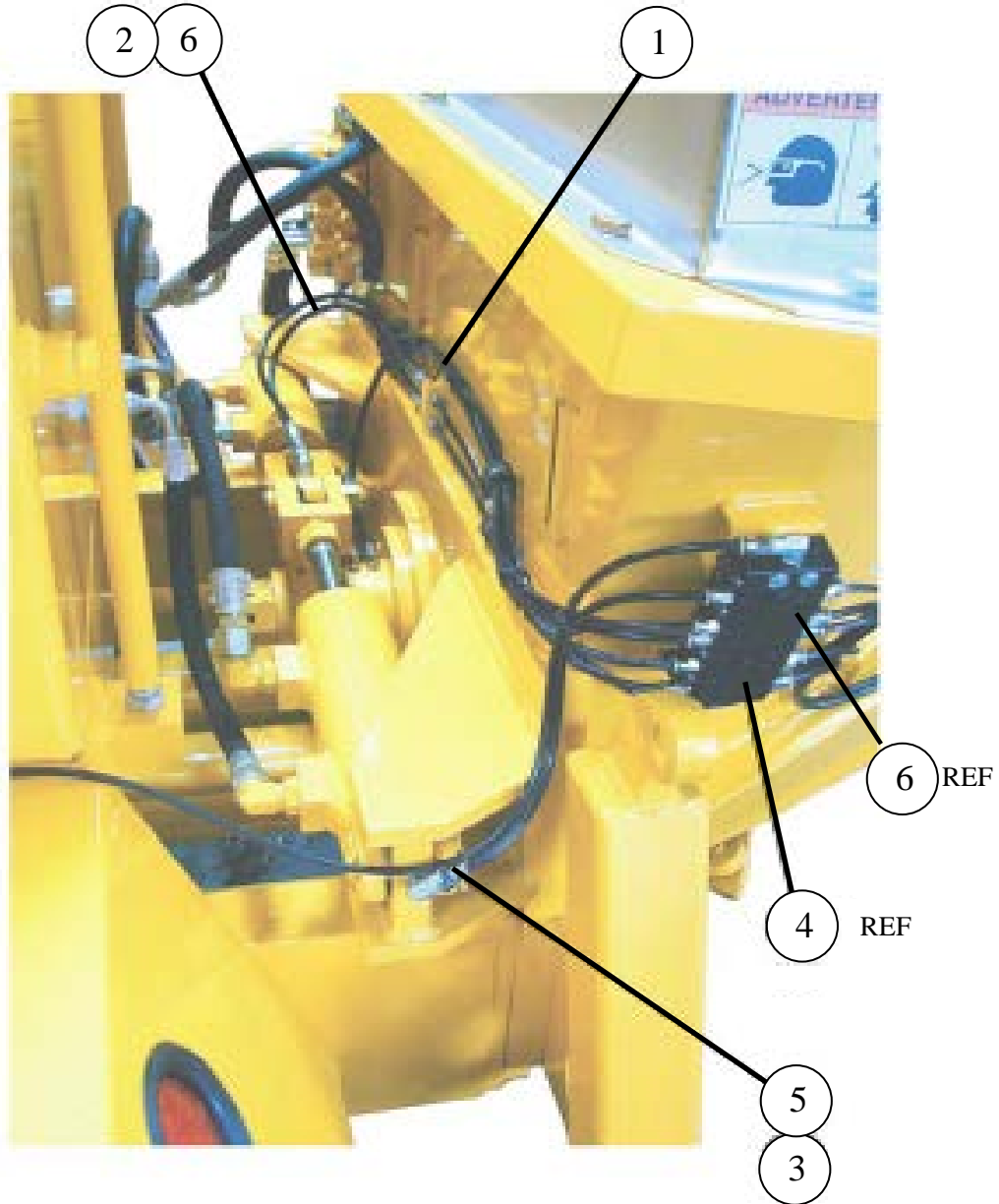
#### AUTOLUBE PUMP (PLASTIC TUBING)



| ID # | PART # | PART DESCRIPTION                     | QUANTITY |    |
|------|--------|--------------------------------------|----------|----|
|      | 87476  | ASSEMBLY, AUTO LUBE 12V PLASTIC TUBE | 1        | EA |
| 1    | 87193  | LUBE PUMP ASSY (PLACTIC TUBING)      | 1        | EA |
| 2    | 87257  | GUARD                                | 1        | EA |
| 3    | 87475  | BRACKET, LUBE BLOCK MOUNT            | 1        | EA |
| 4    |        | VALVE, PRESSURE RELIEF               | 1        | EA |
| 5    |        | BLOCK, DIVIDER VALVE -18 OUTLET      | 1        | EA |
| 6    |        | HOSE, PLASTIC- ¼" O.D.               | A/R      |    |

### OPTIONS

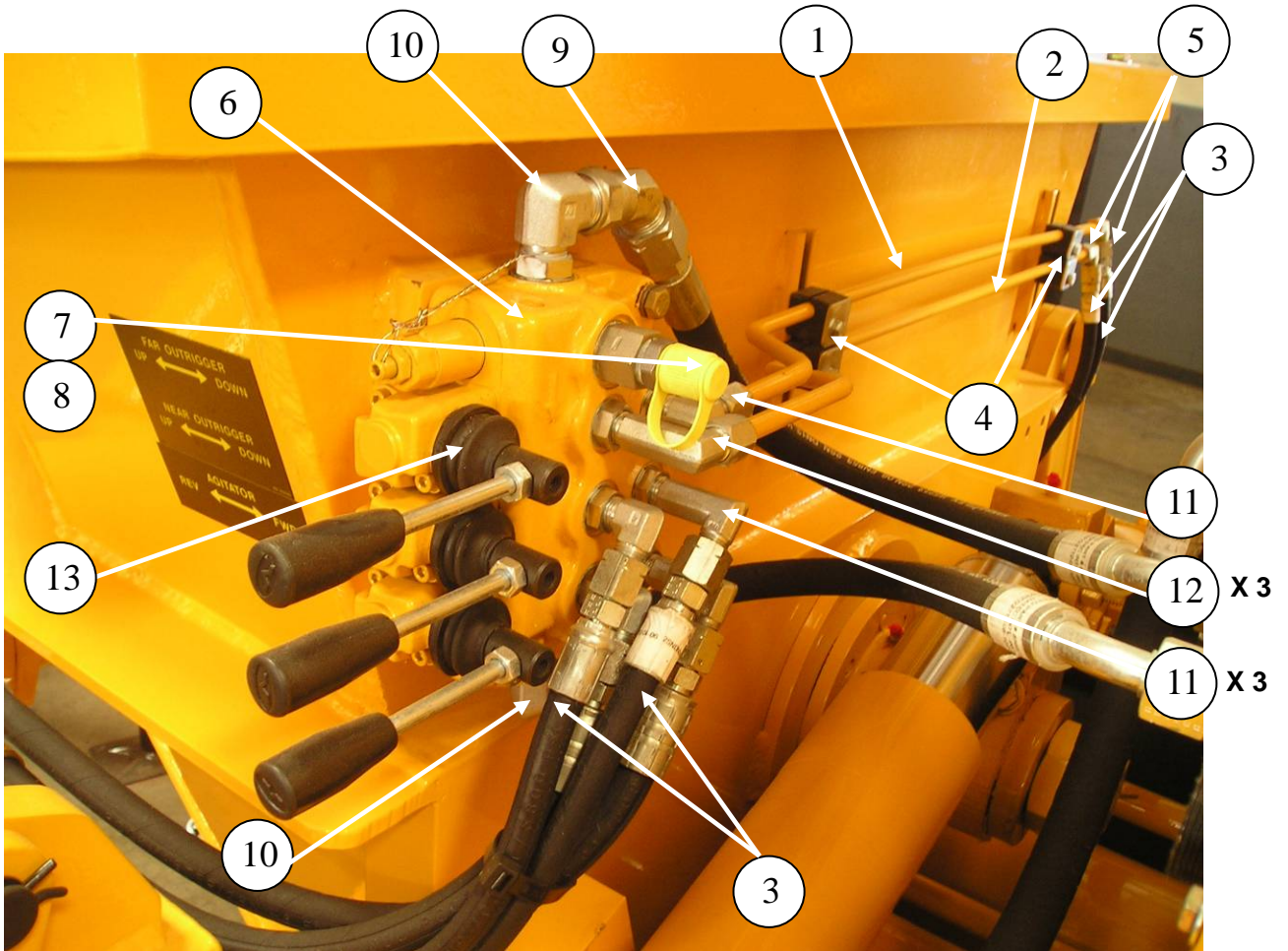
### AUTOLUBE PUMP (PLASTIC TUBING) CONTINUED



| ID # | PART # | PART DESCRIPTION                | QUANTITY |    |
|------|--------|---------------------------------|----------|----|
| 1    | 87437  | BLOCK                           | 1        | EA |
| 2    | 87628  | HOSE COUPLING                   | 4        | EA |
| 3    | 87629  | FITTING, HOSE                   | 22       | EA |
| 4    |        | BLOCK, DIVIDER VALVE -18 OUTLET | REF      | EA |
| 5    |        | HOSE, PLASTIC- 1/4" O.D.        | A/R      |    |
| 6    |        | HOSE, PLASTIC-5/16" O.D.        | A/R      |    |

### OPTIONS

#### HYDRAULIC OUTRIGGER GROUP

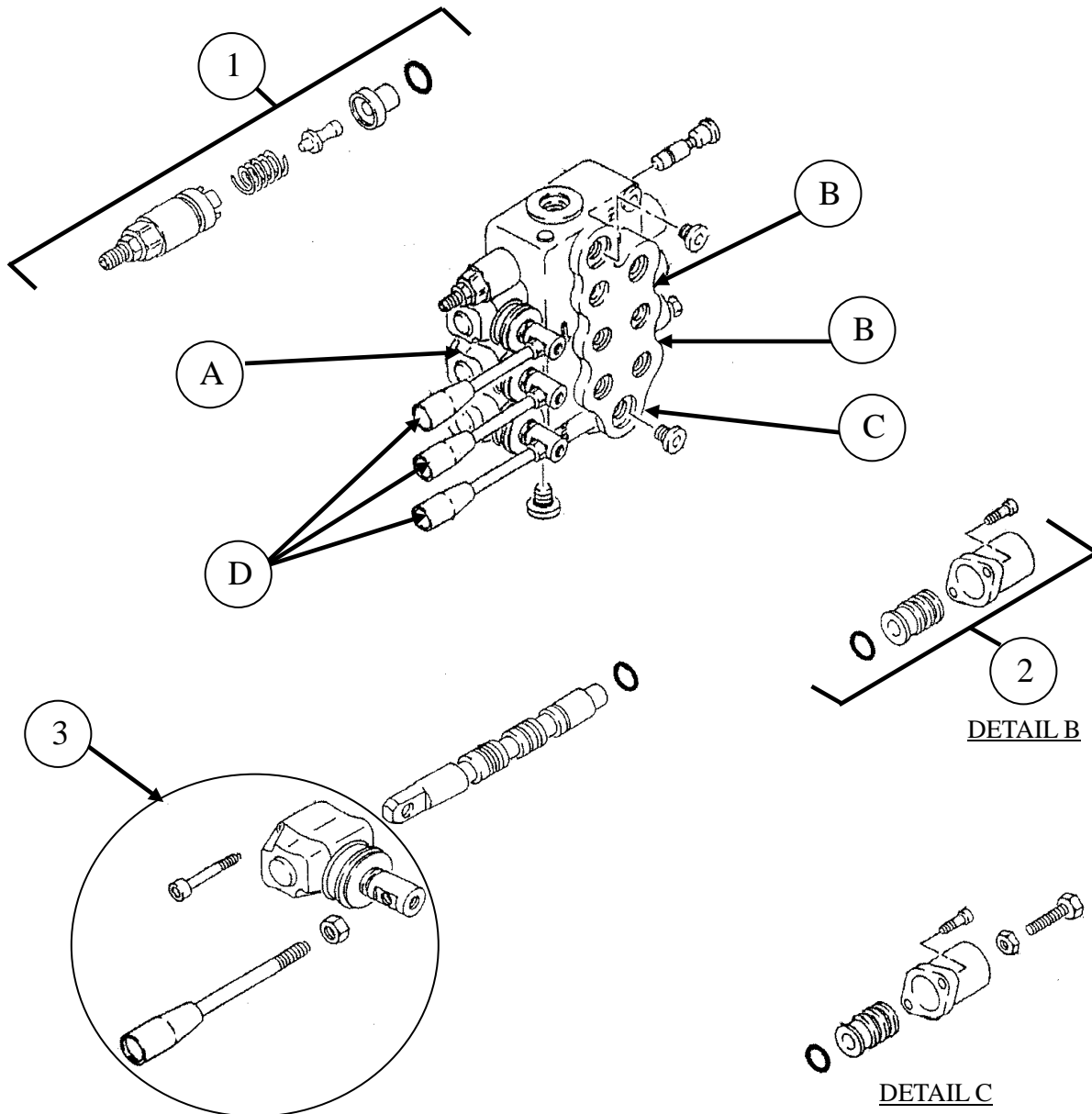


| ID # | PART #     | PART DESCRIPTION               | QUANTITY |    |
|------|------------|--------------------------------|----------|----|
|      | 86334      | HYD OUTRIGGER GROUP            | REF      |    |
| 1    | 85685      | TUBE, HYD, OUTRIGGER - PAINTED | 1        | EA |
| 2    | 85686      | TUBE, HYD, OUTRIGGER - PAINTED | 1        | EA |
| 3    | 85659-010  | HOSE, 4M2T-6FJX-6FJX-33.00     | 4        | EA |
| 4    | 801902-020 | TUBE CLAMP - 3/8 IN - HALF     | 4        | EA |
| 5    |            | MJ-MJ90-6-6                    | 2        | EA |
| 6    | 74471      | VALVE, MAUNAL-3 SPOOL          | 1        | EA |
| 7    | 800083     | FITTING, MINI CHECK (PORT)     | 1        | EA |
| 8    | 86750      | ADAPTER, MB-FB-8-6             | 1        | EA |
| 9    | 86749      | FITTING, MJ-FJX45-10-10        | 1        | EA |
| 10   | 86746      | FITTING, 90° MB-MJ-90-8-10     | 2        | EA |
| 11   | 86748      | FITTING, 90° MB-MJ90-6-6       | 3        | EA |
| 12   | 86747      | FITTING, 90° MB-MJ90LL-6-6     | 3        | EA |
| 13   | 74471-B    | BOOT, COVER                    | 3        | EA |

### OPTIONS

## 3 SPOOL CONTROL VALVE

DETAIL A

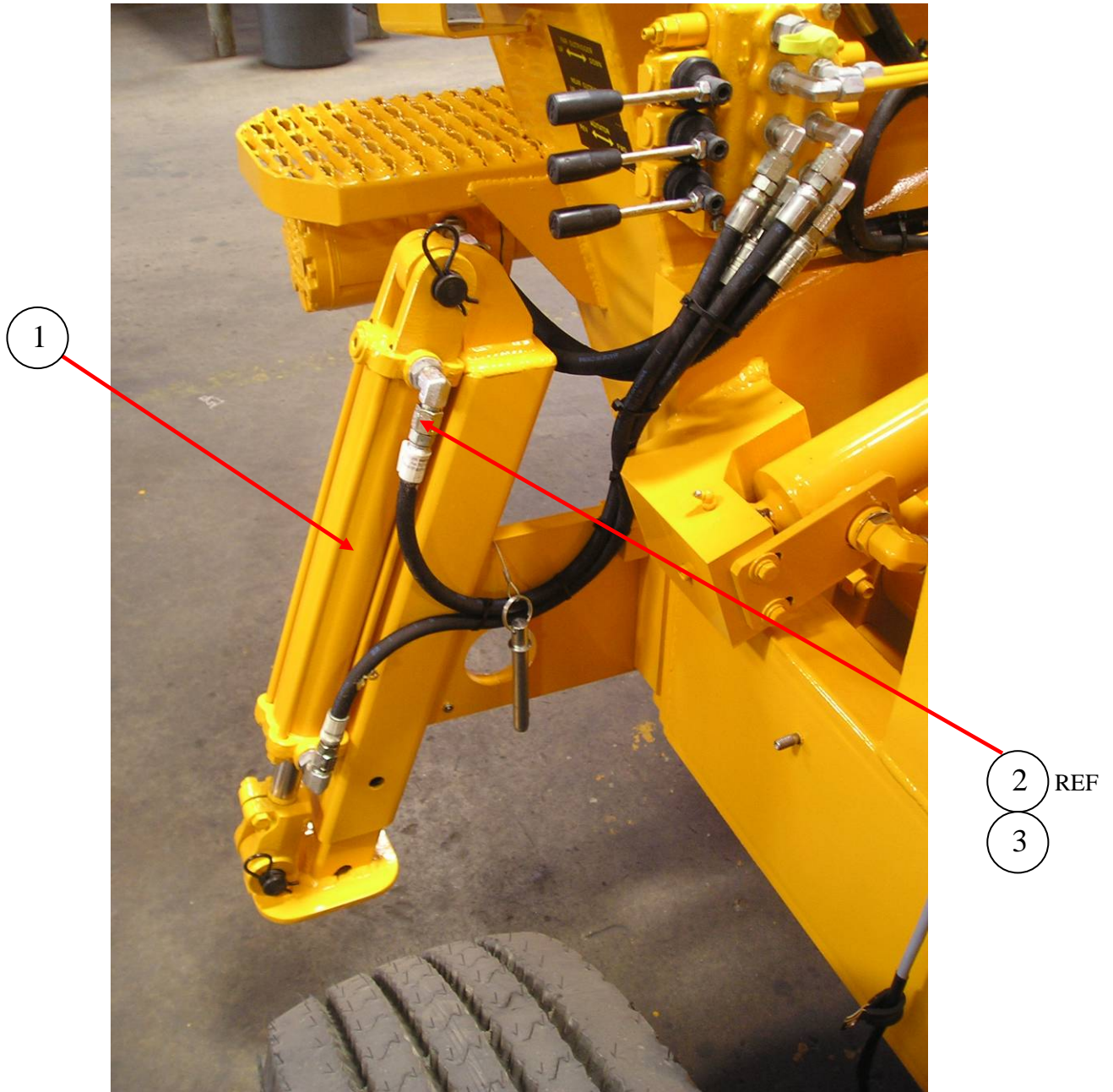


| ID # | PART #    | PART DESCRIPTION                              | QUANTITY |    |
|------|-----------|-----------------------------------------------|----------|----|
| 1    | 85706     | RELIEF, CARTRIDGE                             | 1        | EA |
| 2    | 74469     | DETENT KIT, #11 WALVOIL VALVE                 | A/R      | EA |
| 3    | 74471-020 | VALVE ACTUATOR FOR 74471, 74585, 74584 VALVES | A/R      | EA |



## OPTIONS

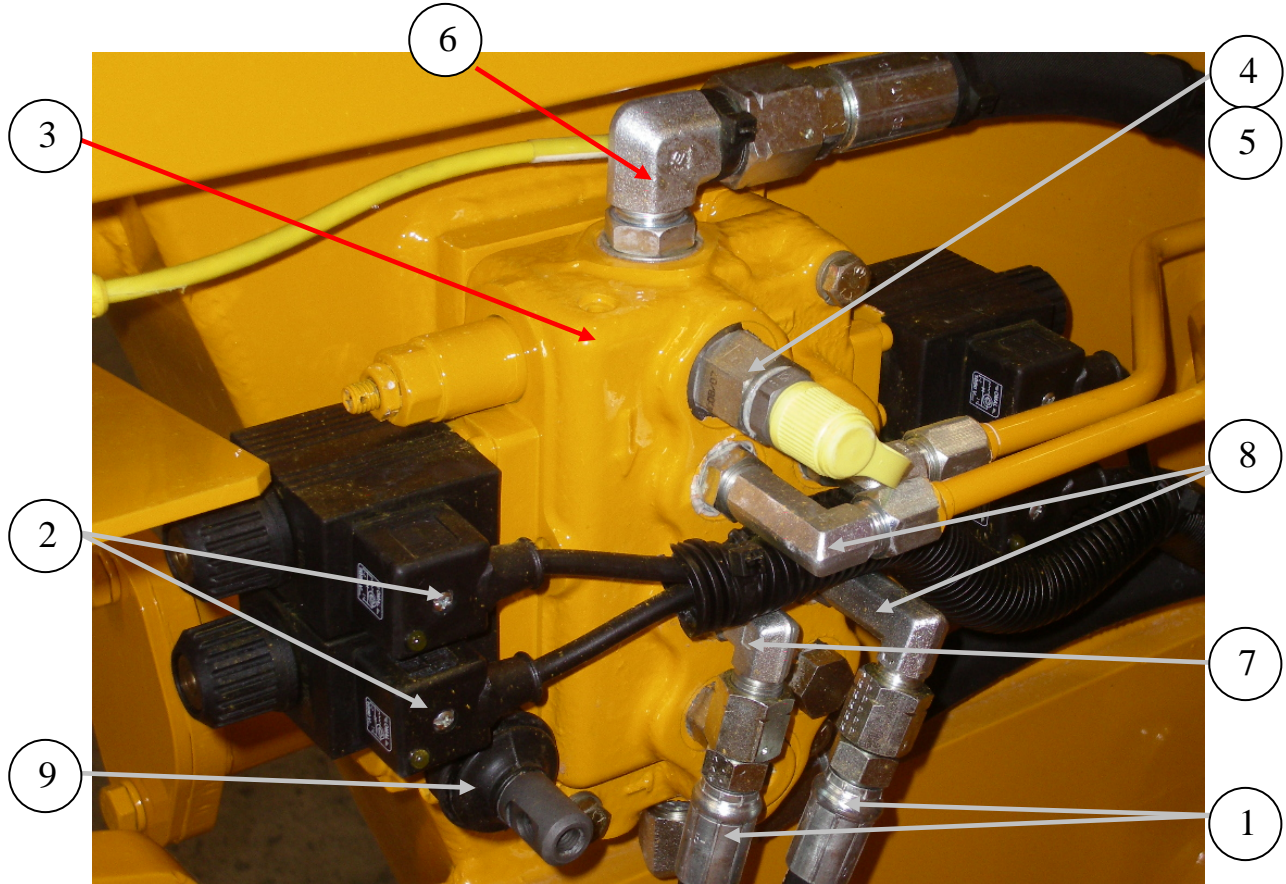
### HYDRAULIC OUTRIGGER GROUP



| ID # | PART #    | PART DESCRIPTION                          | QUANTITY |    |
|------|-----------|-------------------------------------------|----------|----|
| 1    | 86574     | HYD CYL – 2.00 BORE X 12.00 STR – PAINTED | 2        | EA |
| 2    | 85659-010 | HOSE, 4M2T-6FJX-6FJX-33.00                | REF      | EA |
| 3    | 86728-008 | FITTING, 90° MB-MJ90-8-6                  | 4        | EA |

### OPTIONS

#### ELECTRIC HYDRAULIC OUTRIGGER

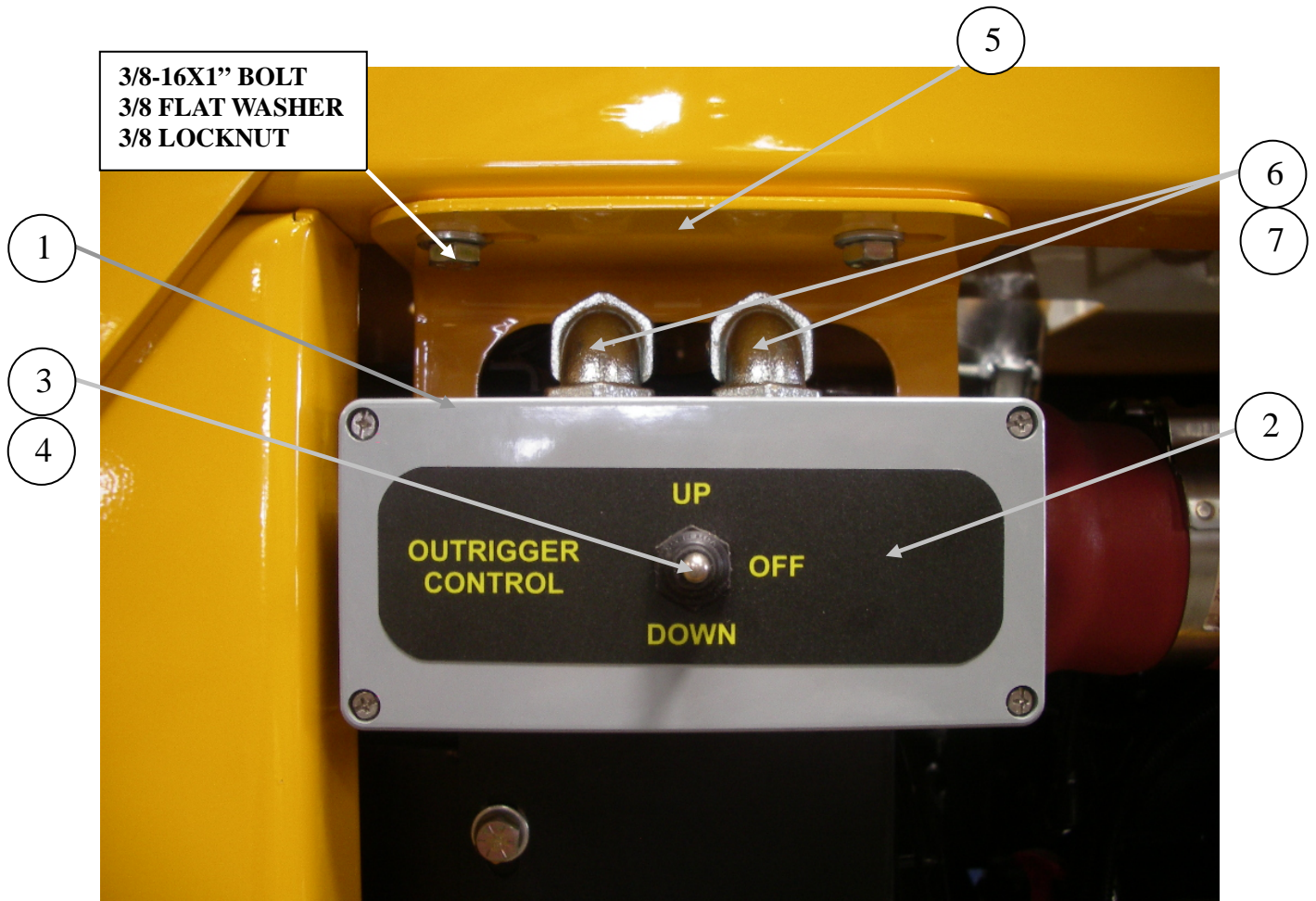


| ID # | PART #    | PART DESCRIPTION                    | QUANTITY |    |
|------|-----------|-------------------------------------|----------|----|
|      | 88041-O   | HYD OUTRIGGER ASSEMBLY, REMOTE      | REF      | EA |
| 1    | 85659-010 | HOSE, 4M2T-6FX-6JX-33.00            | 2        | EA |
| 2    | 87540     | CABLE SOLENIOD VALVE, WITH DIN PLUG | 4        | EA |
| 3    | 88026     | VALVE, 3SPOOL, 2EA. VDC SPOOL       | 1        | EA |
| 4    | 800083    | FITTING, MINI CHECK (PORT)          | 1        | EA |
| 5    | 86750     | ADAPTER, MB-FB-8-6                  | 1        | EA |
| 6    | 86749     | FITTING, MJ-FJX45-10-10             | 1        | EA |
| 7    | 86748     | FITTING, 90° MB-MJ90-6-6            | 3        | EA |
| 8    | 86747     | FITTING.90° MB-MJ90LL-6-6           | 3        | EA |
| 9    | 74471-B   | BOOT, COVER                         | 3        | EA |



### OPTIONS

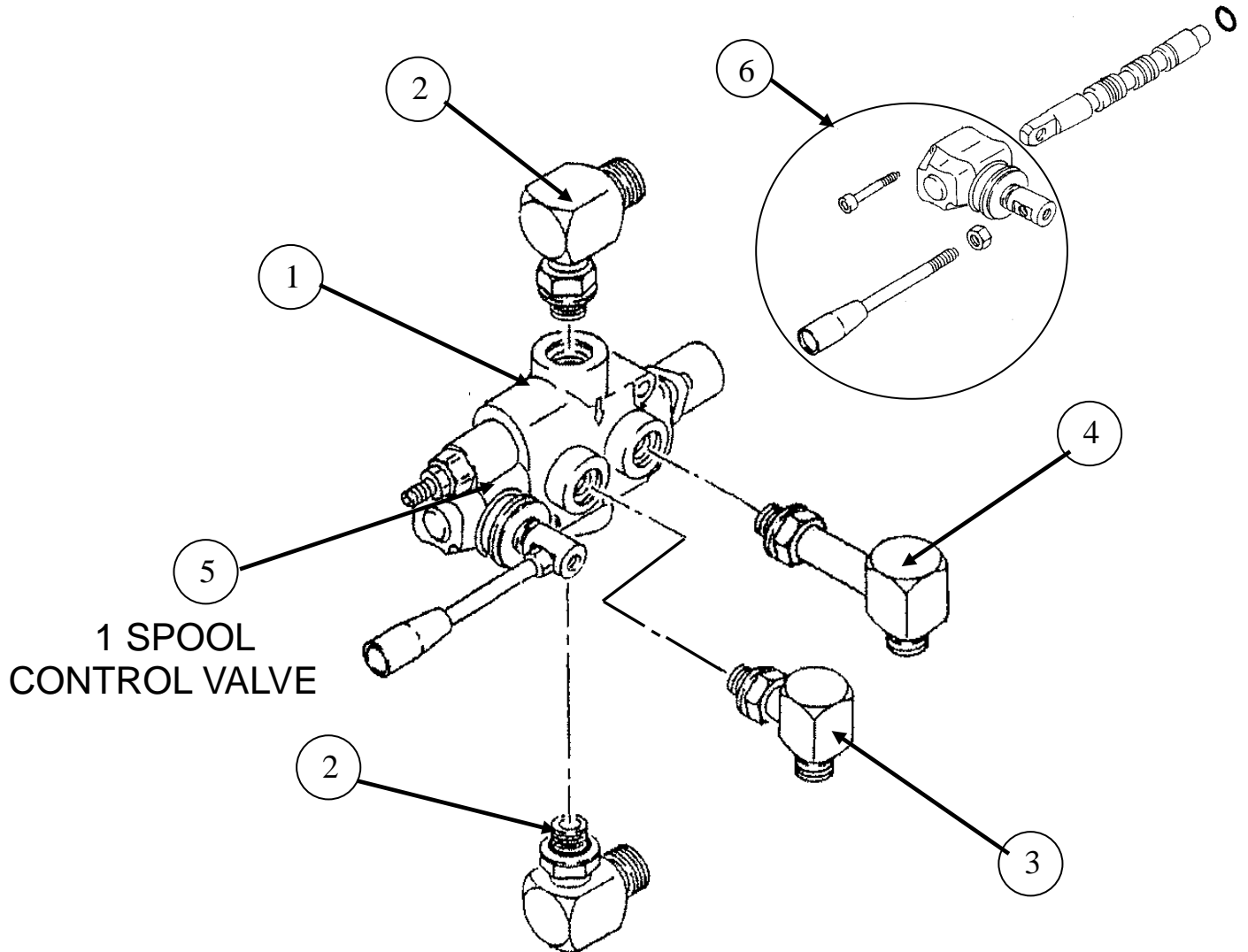
## ELECTRIC HYDRAULIC OUTRIGGER CONTROLS



| ID # | PART #  | PART DESCRIPTION                | QUANTITY |    |
|------|---------|---------------------------------|----------|----|
| 1    | 801206  | ENCLOSURE 6X3X3, FIBERGLASS     | 2        | EA |
| 2    | 88163   | DECAL OUTRIGGER UP/DOWN         | 2        | EA |
| 3    | BW10205 | SWITCH, 3 POSITION MOM/SPDT     | 2        | EA |
| 4    | BW10361 | SW, SEALING BOOT                | 2        | EA |
| 5    | 88164-A | BRACKET OUTRIGGER CONTROL MOUNT | 2        | EA |
| 6    | 73531   | 90° STRAIN RELIEF               | 4        | EA |
| 7    | 10528   | NUT ½", BONDING TYPE LOCK       | 4        | EA |

## OPTIONS

### AGITATOR GROUP

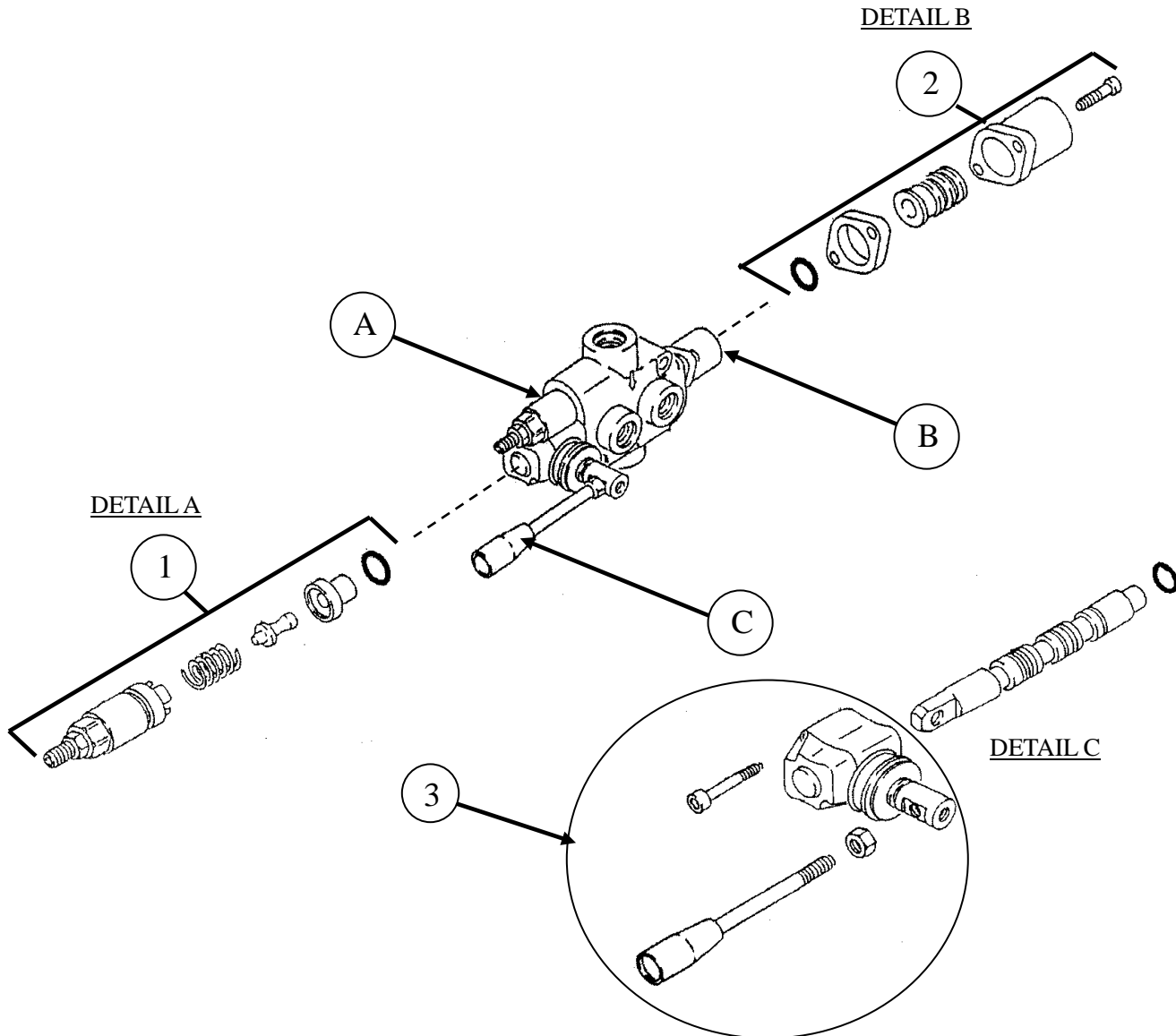


| ID # | PART #    | PART DESCRIPTION                              | QUANTITY |    |
|------|-----------|-----------------------------------------------|----------|----|
| 1    | 74584     | VALVE, MAUNAL-1 SPOOL                         | 1        | EA |
| 2    | 86746     | FITTING, 90° MB-MJ-90-8-10                    | 2        | EA |
| 3    | 86748     | FITTING, 90° MB-MJ90-6-6                      | 1        | EA |
| 4    | 86747     | FITTING, 90° MB-MJ90LL-6-6                    | 3        | EA |
| 5    | 74471-B   | BOOT, COVER                                   | 1        | EA |
| 6    | 74471-020 | VALVE ACTUATOR FOR 74471, 74585, 74584 VALVES | A/R      | EA |



### OPTIONS

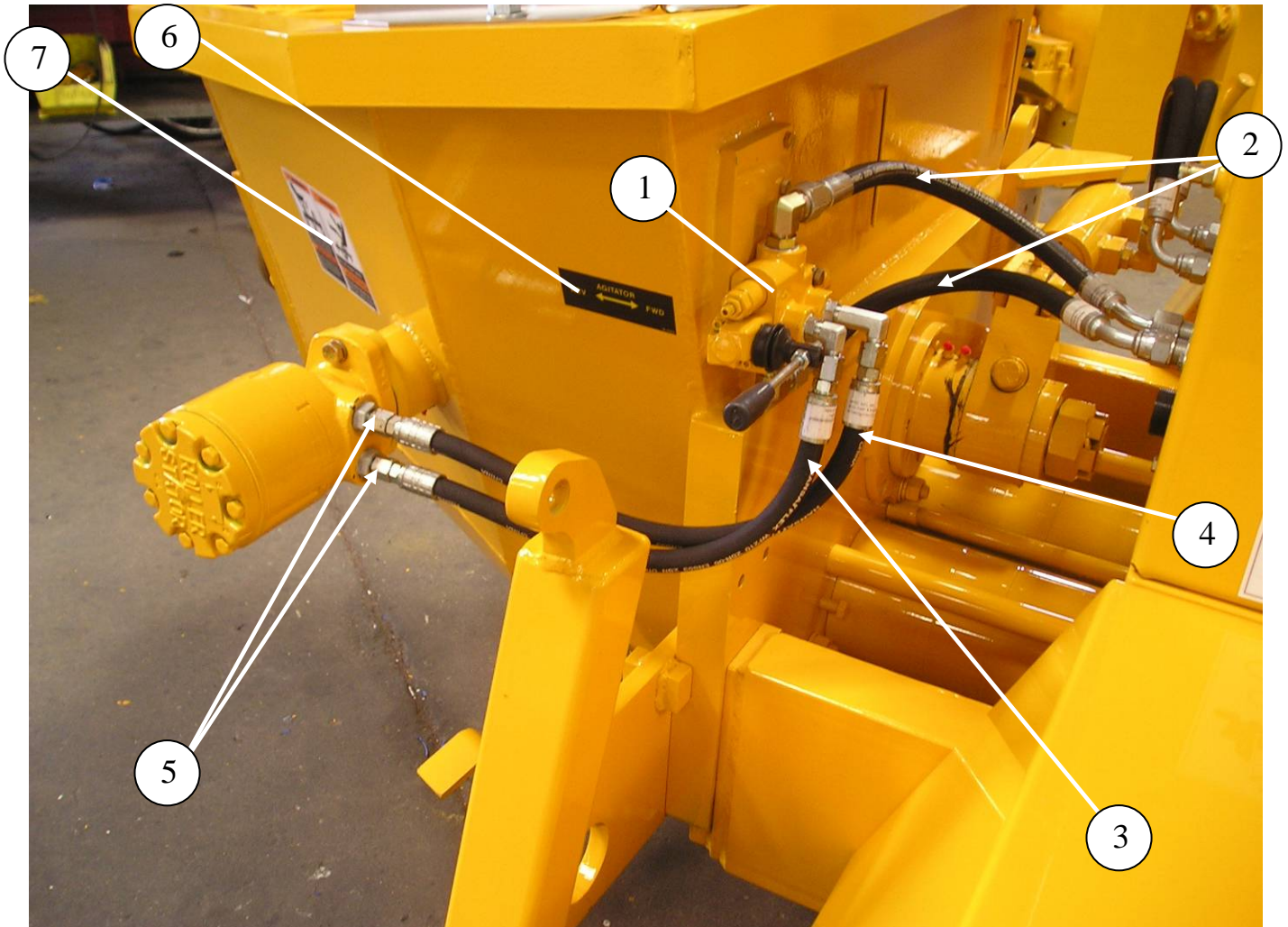
#### 1 SPOOL AGITATOR VALVE



| ID # | PART #    | PART DESCRIPTION                              | QUANTITY |    |
|------|-----------|-----------------------------------------------|----------|----|
| 1    | 85706     | RELIEF, CARTRIDGE                             | 1        | EA |
| 2    | 74469     | DETENT KIT, #11 WALVOIL VALVE                 | A/R      | EA |
| 3    | 74471-020 | VALVE ACTUATOR FOR 74471, 74585, 74584 VALVES | A/R      | EA |

### OPTIONS

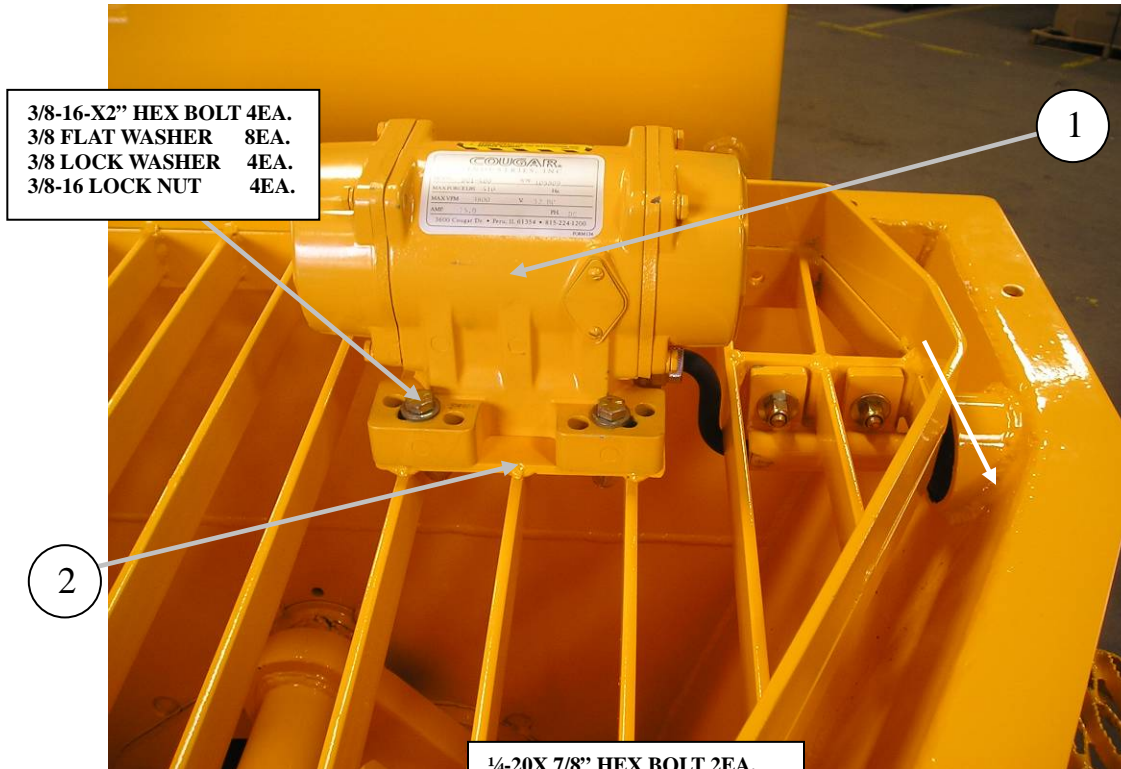
### AGITATOR GROUP CONTINUED



| ID # | PART #    | PART DESCRIPTION               | QUANTITY |    |
|------|-----------|--------------------------------|----------|----|
| 1    | 74584     | VALVE, MANUAL-1 SPOOL          | REF      | EA |
| 2    | 85657-016 | HOSE, 8M2T-10FJX-10FJX45-20.00 | 2        | EA |
| 3    | 85658-011 | HOSE, 6M2T-6FJX-6FJX-21.00     | 1        | EA |
| 4    | 85658-010 | HOSE, 6M2T-6FJX-6FJX-20.00     | 1        | EA |
| 5    |           | FITTING,MB-MJ-10-6             | 2        | EA |
| 6    | 85845     | DECAL, OUTRIGGERS              | 1        | EA |
| 7    | 800919    | DECAL, WARNING, STAND CLEAR    | 2        | EA |

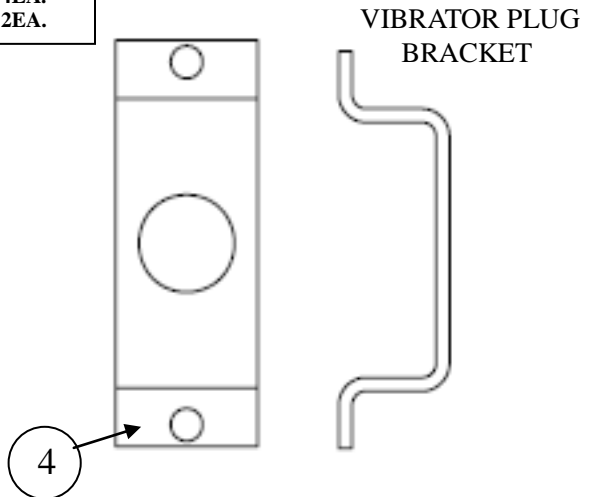
### OPTIONS

#### VIBRATOR (COUGAR)



3/8-16-X2" HEX BOLT 4EA.  
3/8 FLAT WASHER 8EA.  
3/8 LOCK WASHER 4EA.  
3/8-16 LOCK NUT 4EA.

1/4-20X 7/8" HEX BOLT 2EA.  
1/4 FLAT WASHER 4EA.  
3/8-16 LOCK NUT 2EA.

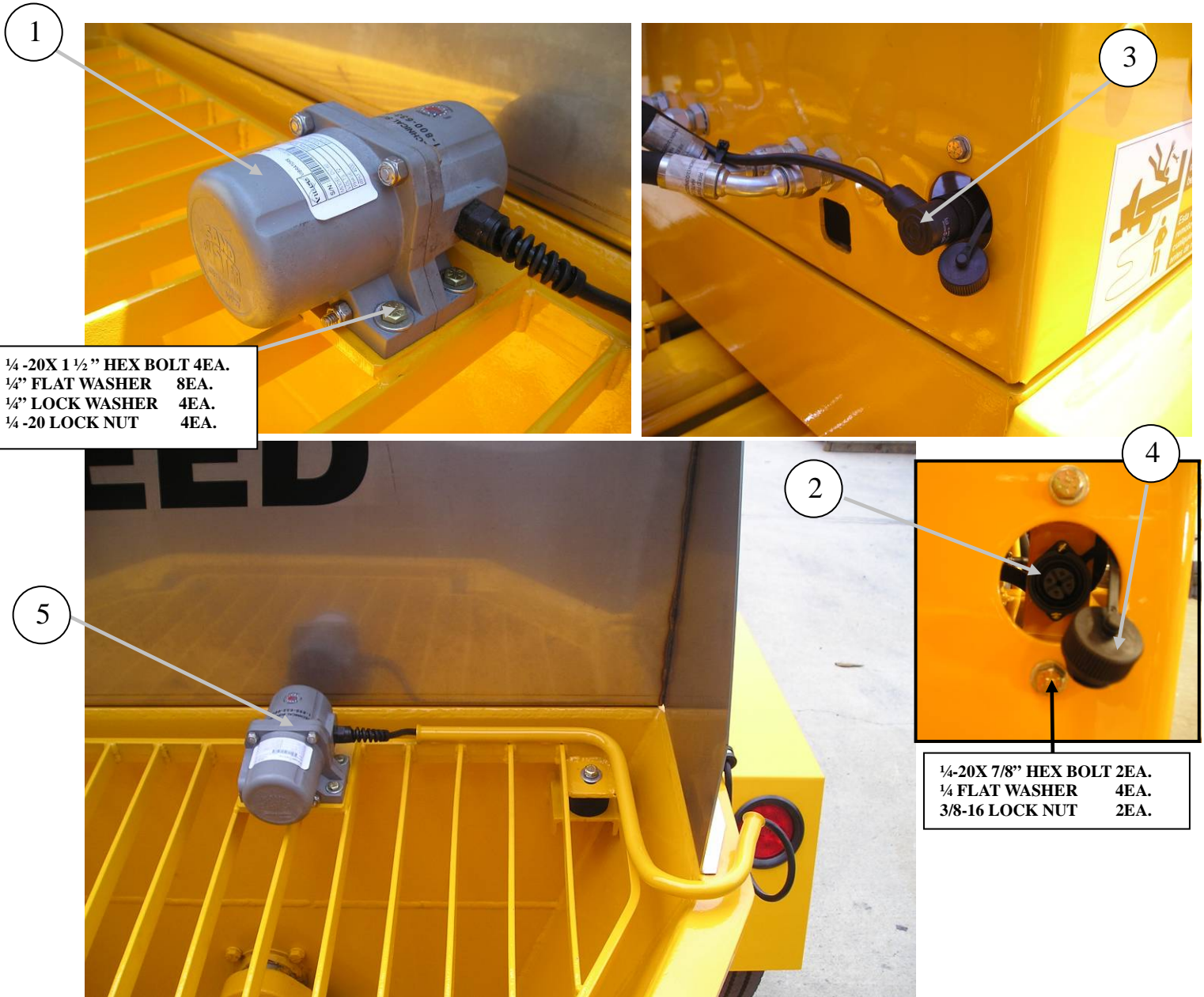


| ID # | PART #  | PART DESCRIPTION                | QUANTITY |    |
|------|---------|---------------------------------|----------|----|
| 1    | 71429   | VIBRATOR, 12VDC ROTARY (COUGAR) | 1        | EA |
| 2    | 85893   | BRACKET, VIBRATOR               | 1        | EA |
| 3    | 85898-1 | CORD W/PLUG, MALE 14AWG X 8 FT  | 1        | EA |
| 4    | 87472   | BRACKET, VIBRATOR PLUG MOUNT    | 1        | EA |
| 5    | 85899   | VIBRATOR, PLUG                  | 1        | EA |



### OPTIONS

#### VIBRATOR VIBCO



¼ -20X 1 ½” HEX BOLT 4EA.  
 ¼” FLAT WASHER 8EA.  
 ¼” LOCK WASHER 4EA.  
 ¼ -20 LOCK NUT 4EA.

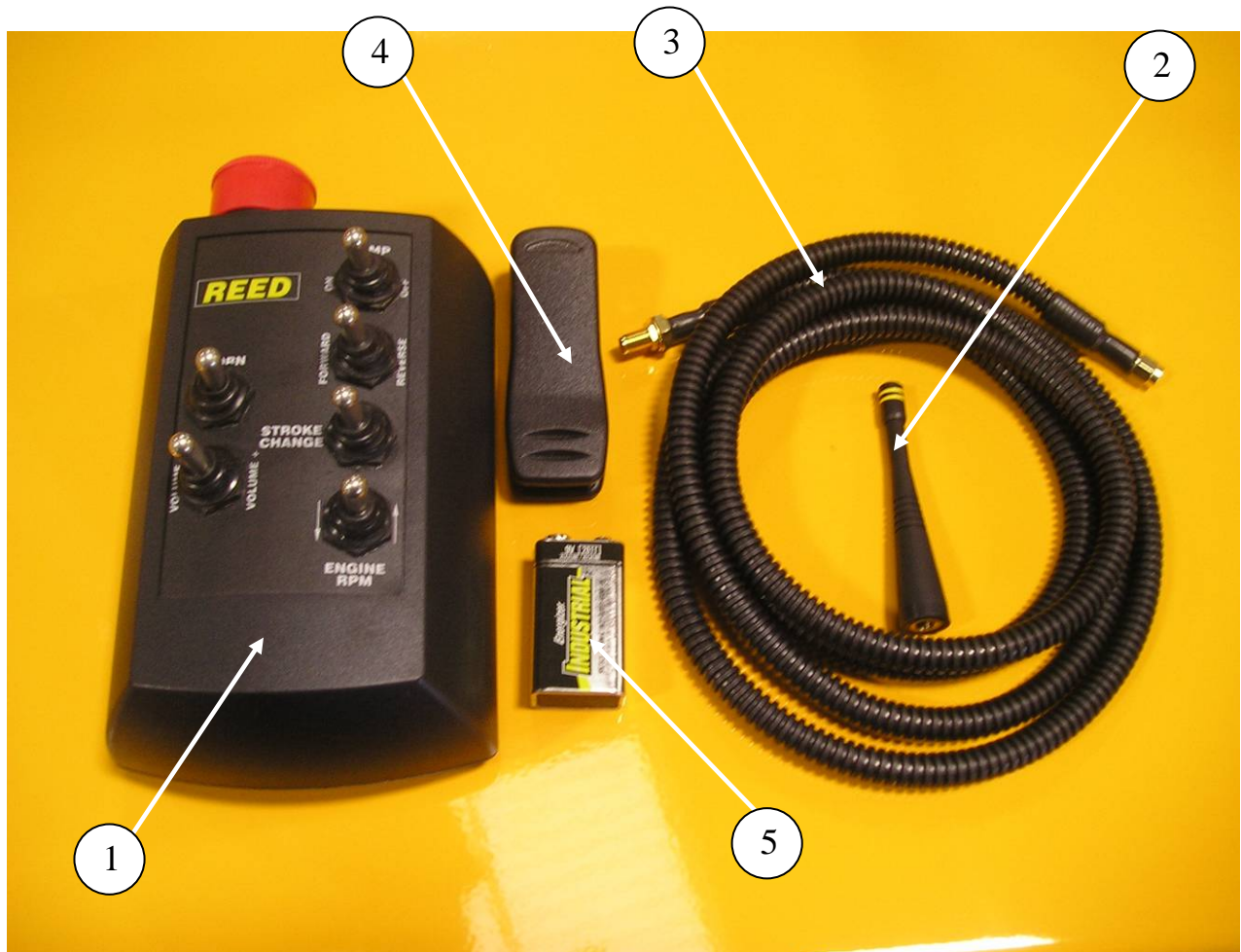
¼-20X 7/8” HEX BOLT 2EA.  
 ¼ FLAT WASHER 4EA.  
 3/8-16 LOCK NUT 2EA.

| ID # | PART # | PART DESCRIPTION                | QUANTITY |    |
|------|--------|---------------------------------|----------|----|
|      | 88021  | VIBRATOR, ASSY, ELECTRIC, 100LB | 1        | EA |
| 1    | 87916  | VIBRATOR, 12 VDC SMALL          | 1        | EA |
| 2    | 88024  | CONNECTOR, FEMALE               | 1        | EA |
| 3    | 88023  | CONNECTOR, MALE 90°             | 1        | EA |
| 4    | 88025  | CAP, SOCKET FEMALE FOR 88024    | 1        | EA |
| 5    | 88022  | BRACKET, 87916 VIBRATOR MOUNT   | 1        | EA |



## OPTIONS

### RADIO REMOTE KIT (KAR-TECH)



| ID # | PART #    | PART DESCRIPTION                     | QUANTITY |    |
|------|-----------|--------------------------------------|----------|----|
| 1    | 87348-1   | TRANSMITTER, REMOTE CONTROL ASSEMBLY | 1        | EA |
| 2    | BW10285   | ANTENA                               | 1        | EA |
| 3    | BW10285-1 | ANTENA CABLE                         | 1        | EA |
| 4    | 87348     | CLIP                                 | 1        | EA |
| 5    |           | 9V BATTERY                           | 1        | EA |

### OPTIONS

### RADIO REMOTE KIT (OMNEX)



**NOTE:** KIT CONTAINS ALL PARTS SHOWN ABOVE.

| ID # | PART #   | PART DESCRIPTION                      | QUANTITY |    |
|------|----------|---------------------------------------|----------|----|
|      | 87348-20 | OMNEX RADIO REMOTE KIT 87346-2 REV F+ | 1        | EA |
| 1    |          | RECEIVER R160                         | 1        | EA |
| 2    |          | TRANSMITTER T110C                     | 1        | EA |
| 3    |          | CABLE ASSEMBLY R160                   | 1        | EA |
| 4    |          | REMOTE STRAPS                         | 2        | EA |
| 5    |          | NIMH RECHARGEABLE BATTERIES           | 4        | EA |
| 6    |          | ANTENNA CABLE                         | 1        | EA |
| 7    |          | ANTENNA                               | 1        | EA |
| 8    |          | ANTENNA BRACKET                       | 1        | EA |
| 9    |          | BATTERY CHARGER DOCK                  | 1        | EA |

## OPTIONS

### ALUMINUM WHEEL AND TIRE



| ID # | PART #  | PART DESCRIPTION               | QUANTITY |    |
|------|---------|--------------------------------|----------|----|
|      | 86923-1 | TIRE & WHEEL-ALUMINUM ASSEMBLY | 2        | EA |
| 1    |         | WHEEL-ALUMINUM                 | 2        | EA |
| 2    |         | TIRE-215/75R17.5H              | 2        | EA |





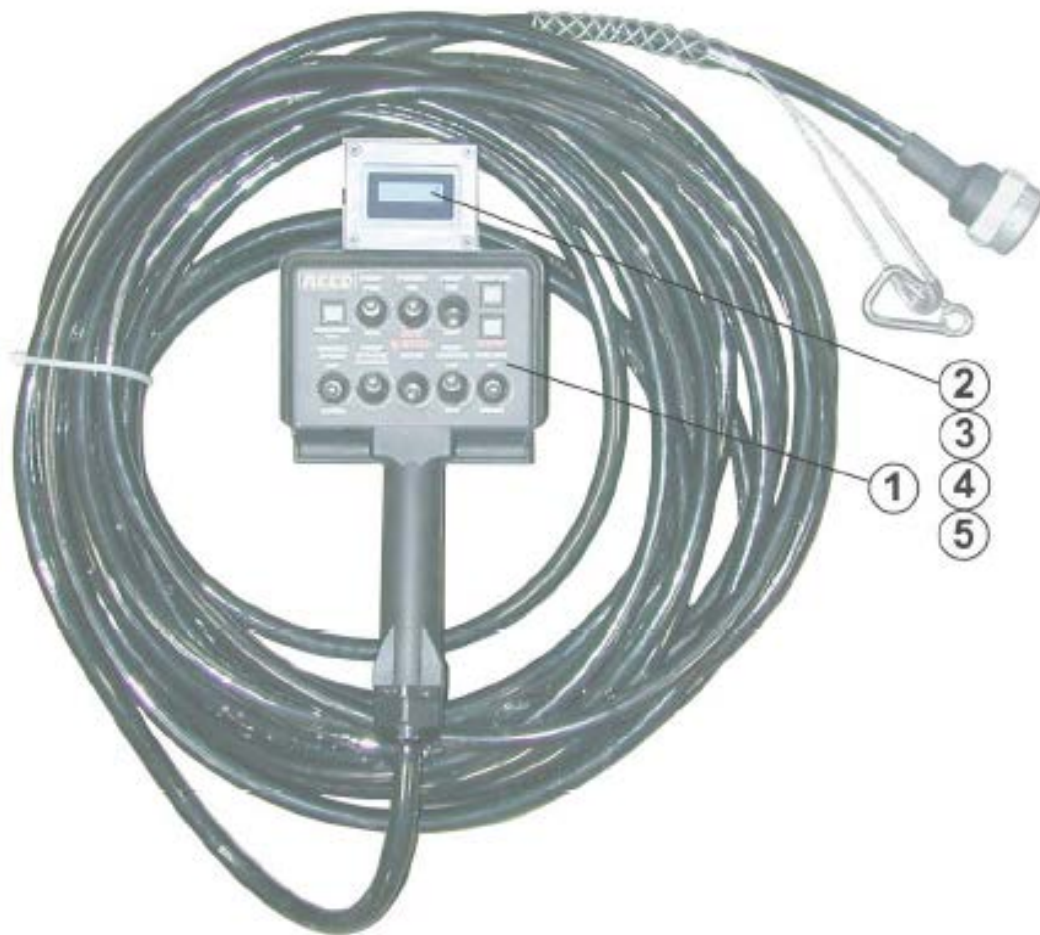
# B50v08 B50HPv08

PARTS

13822 Oaks Avenue  
Chino, CA 91710  
reedpumps.com  
(909) 287 - 2100

## OPTIONS

### 50 FT STROKE COUNTER CABLE REMOTE ASSEMBLY

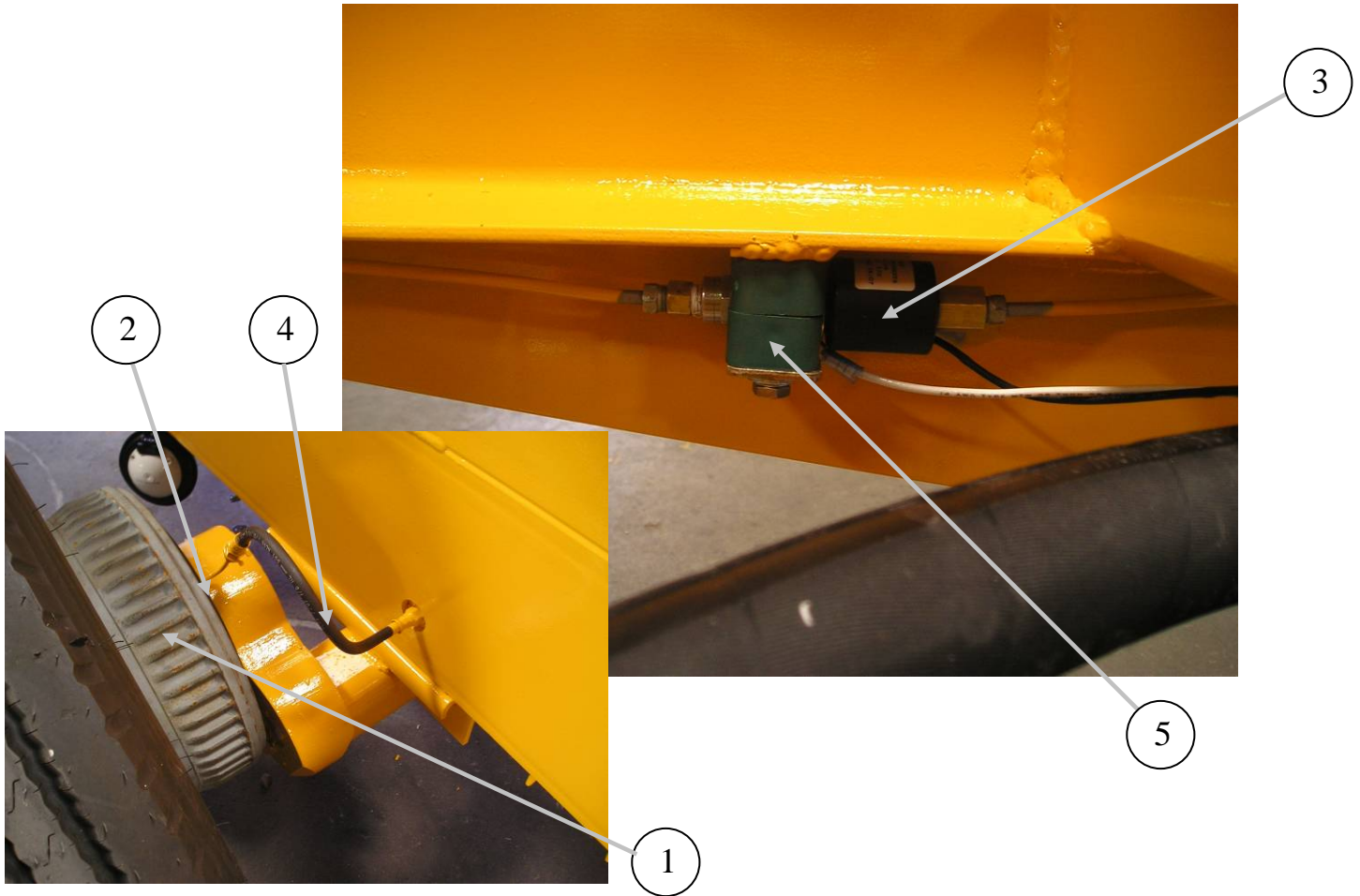


| ID # | PART #  | PART DESCRIPTION                                   | QUANTITY |    |
|------|---------|----------------------------------------------------|----------|----|
|      | 87753-1 | ASSEMBLY, 50 FEET CABLE REMOTE WITH STROKE COUNTER | REF      |    |
| 1    | 87347-1 | CONTROL, REMOTE CABLE (50 FT)                      | 1        | EA |
| 2    | 72330   | COUNTER, STROKE                                    | 1        | EA |
| 3    | 74388   | DIODE                                              | 2        | EA |
| 4    | 87784   | BOX, MACHINED                                      | 1        | EA |
| 5    | 87785   | COVER, BOX                                         | 1        | EA |



### OPTIONS

#### HYDRAULIC SURGE BRAKES



| ID # | PART #     | PART DESCRIPTION                            | QUANTITY |    |
|------|------------|---------------------------------------------|----------|----|
| 1    | 87924      | HYDRAULIC BRAKE ASSY 9000LB (QUALITY AXLE)  | 2        | EA |
| 2    | 88032      | SPACER FOR 88020 HYDRAULIC BRAKE CONVERSION | 2        | EA |
| 3    | 87925      | SOLENIOD HYD BRAKE VALVE                    | 1        |    |
| 4    | 87256      | BRAKE LINE KIT                              | 1        |    |
| 5    | 801902-006 | CLAMP,18MM TUBE CLAMP SET                   | 1        | EA |

### OPTIONS

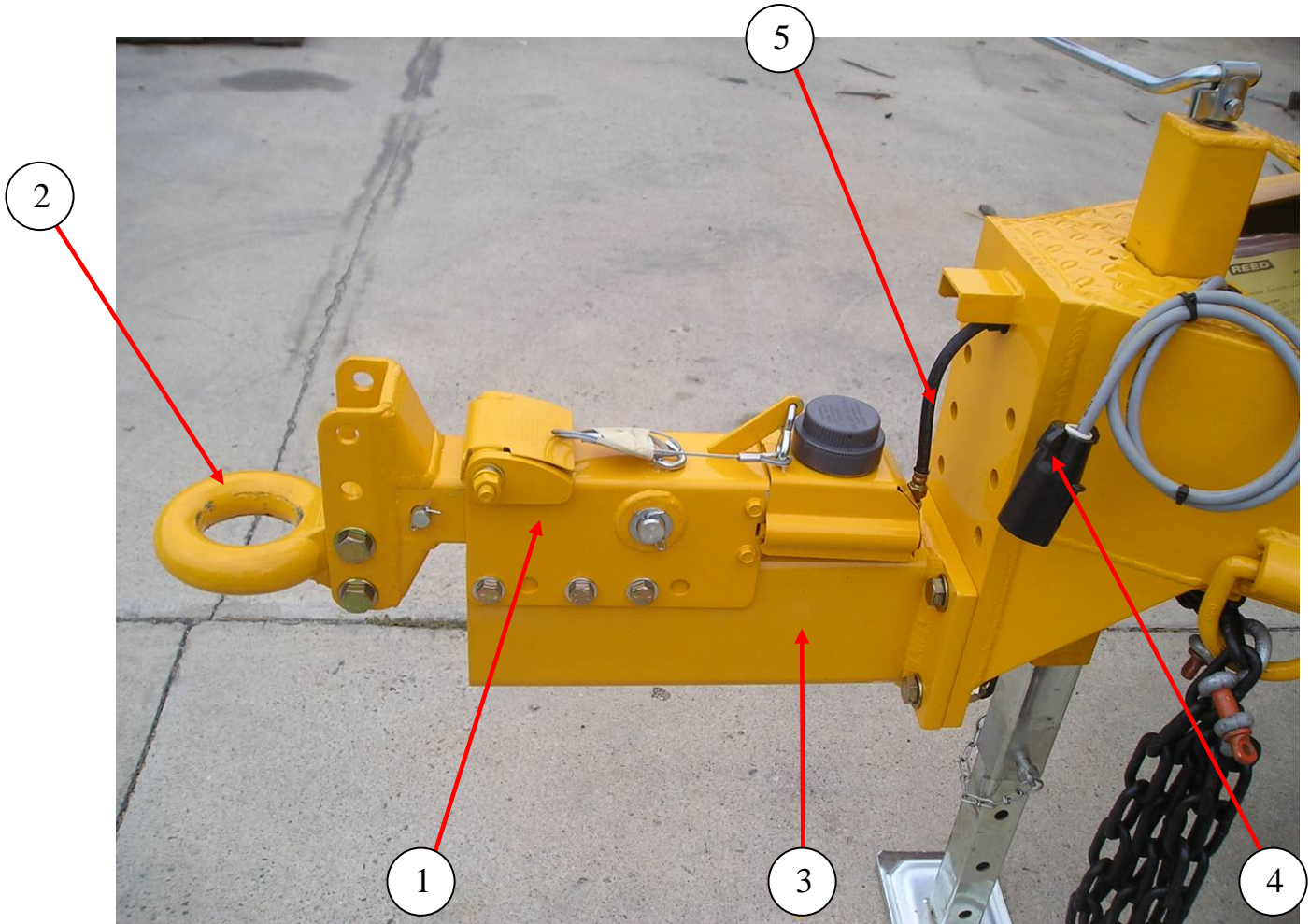
#### HYDRAULIC SURGE BRAKE (2 INCH BALL)



| ID # | PART # | PART DESCRIPTION                     | QUANTITY |    |
|------|--------|--------------------------------------|----------|----|
|      | 88020  | SURGE BRAKE 2" BALL COUPLER, 9000LB  | REF      | EA |
| 1    | 87498  | HITCH-BALL 2" 8000LB CAPACITY        | 1        | EA |
| 2    | 87494  | SURGE BRAKE ACTUATOR 8000LB          | 1        | EA |
| 3    | 87496  | BRACKET WELD F. 9000LB AXLE SURGE    | 1        | EA |
| 4    | 71030  | TORSION SPRING-BRAKE KIT             | 1        | EA |
| 5    | 88038  | TRAILER HARNESS-B-SERIES SURGE BRAKE | 1        | EA |

## OPTIONS

### HYDRAULIC SURGE BRAKES (3 INCH EYE)

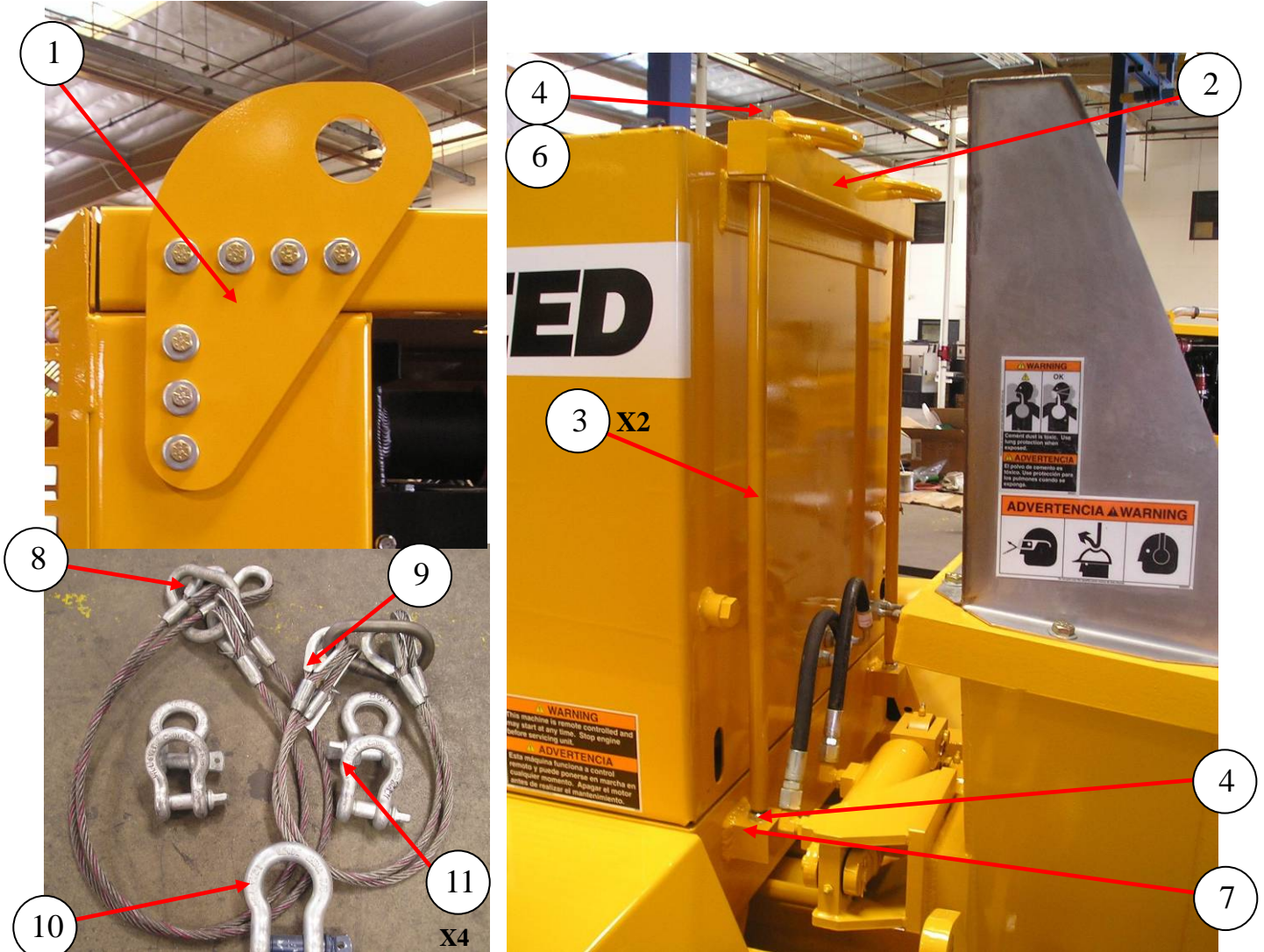


| ID # | PART # | PART DESCRIPTION                          | QUANTITY |    |
|------|--------|-------------------------------------------|----------|----|
|      | 87926  | SURGE BRAKE W/PINTLE 9000 LB QUALITY AXLE |          | EA |
| 1    | 87923  | SURGE BRAKE ACTUATOR PINTAL 7500 LB       | 1        | EA |
| 2    | 71051  | EYE-LUNETTE 3"                            | 1        | EA |
| 3    | 87601  | BRACKET WELDMENT, SURGE BRAKE MOUNT       | 1        | EA |
| 4    | 87928  | TRAILER HARNESS, B-SERIES SURGE BRAKE     | 1        | EA |
| 5    | 71030  | TORSION SPRING-BRAKE KIT                  | 1        | EA |



### OPTIONS

#### LIFTING EYE KIT

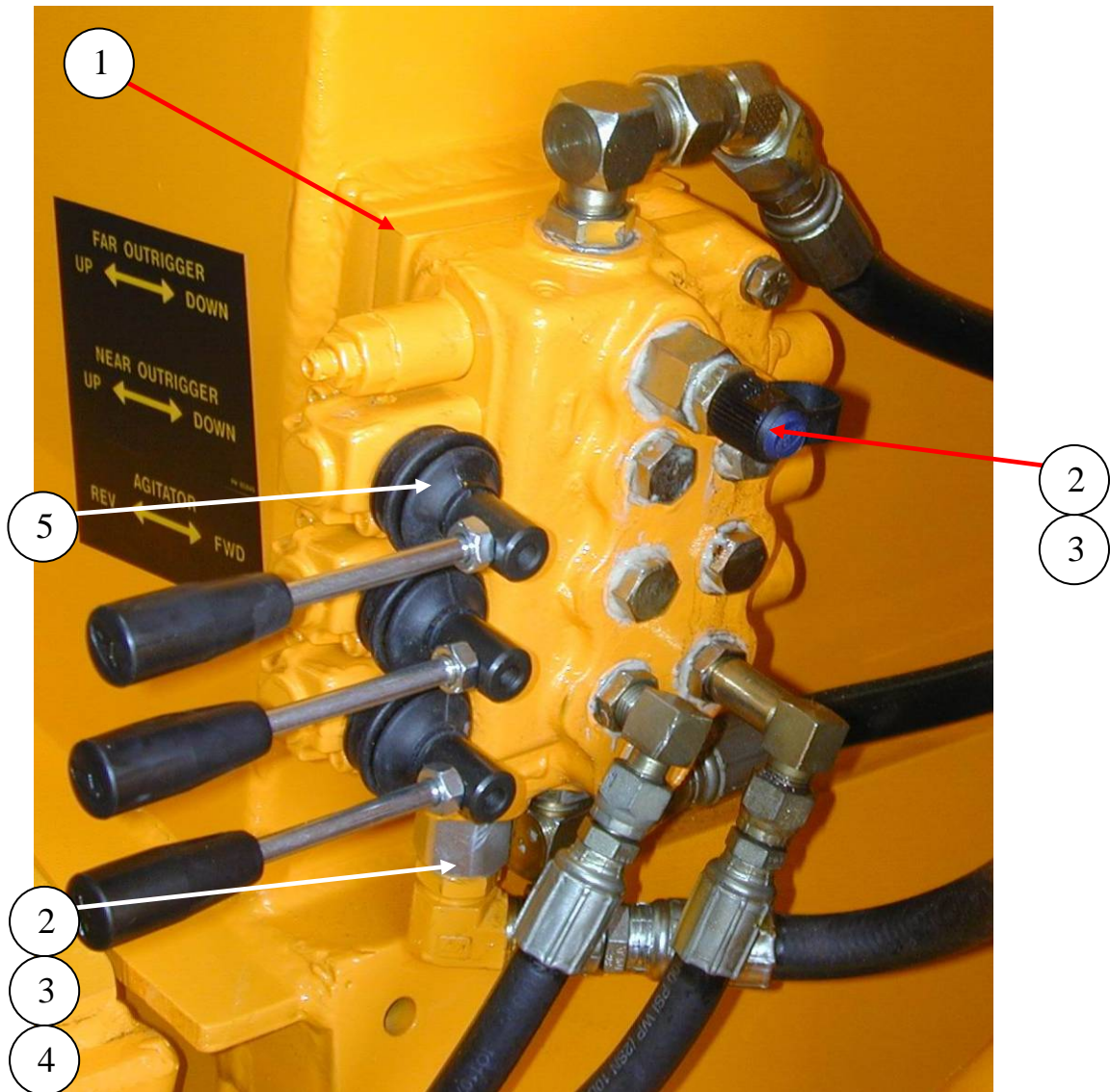


| ID # | PART # | PART DESCRIPTION               | QUANTITY |    |
|------|--------|--------------------------------|----------|----|
|      | 87859  | LIFTING EYE ASSEMBLY B SERIES  | REF      |    |
| 1    | 87594  | GUSSET ENGINE COVER PAINTED    | 2        | EA |
| 2    | 86799  | LIFTING BAR, WELDMENT-REAR     | 1        | EA |
| 3    | 86762  | LIFTING TIE ROD                | 2        | EA |
| 4    | 80008  | HEX NUT 3/4-10UNC GR 8 ZINC    | 2        | EA |
| 5    | 80009  | HEX JAMNUT 3/4-10UNC GR 8 ZINC | 2        | EA |
| 6    | 80010  | LOCKWASHER- 3/4-STL ZINC       | 2        | EA |
| 7    | 85823  | BLOCK, TRALIER LIFTING         | 2        | EA |
| 8    | 86776  | LIFT CABLE, FRONT              | 1        | EA |
| 9    | 86777  | LIFT CABLE, REAR               | 1        | EA |
| 10   | 86778  | SHACKLE, ANCHOR W/SCREW PIN    | 1        | EA |
| 11   | 86811  | SHACKLE, ANCHOR W/SCREW PIN    | 4        | EA |



### OPTIONS

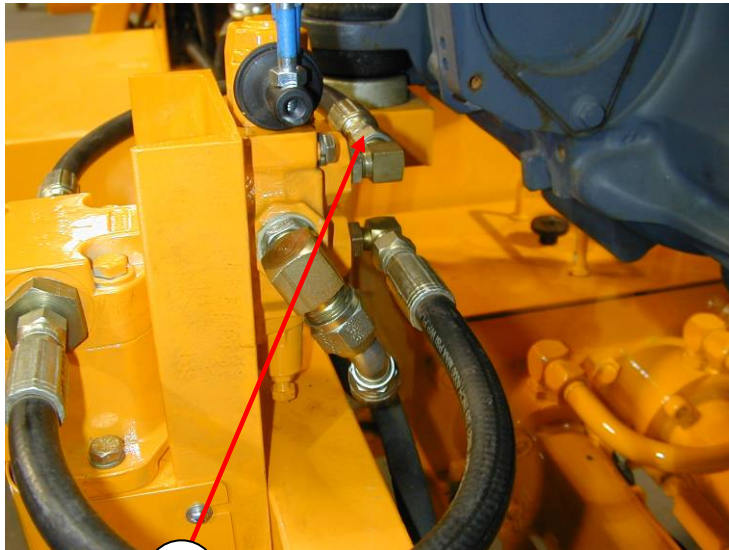
#### WATER PUMP



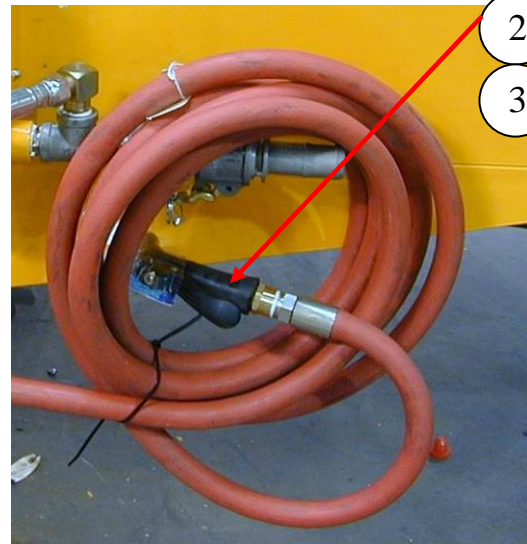
| ID # | PART #    | PART DESCRIPTION                 | QUANTITY |    |
|------|-----------|----------------------------------|----------|----|
|      | 86720     | WASH PUMP INSTALLATION, B-SERIES | REF      | EA |
| 1    | 86692     | SPACER, AGITATOR VALVE           | 1        | EA |
| 2    | 86384     | POWER BEYOND SLEEVE - VALVIOL    | 1        | EA |
| 3    | 86746     | FITTING, 90° MB-MJ-90-8-10       | 1        | EA |
| 4    | 85657-021 | HOSE, 8M2T-10FJX-10FJX45-12.25   | 1        | EA |
| 5    | 74471-B   | BOOT, COVER                      | 3        | EA |

## OPTIONS

### WATER PUMP CONTINUED

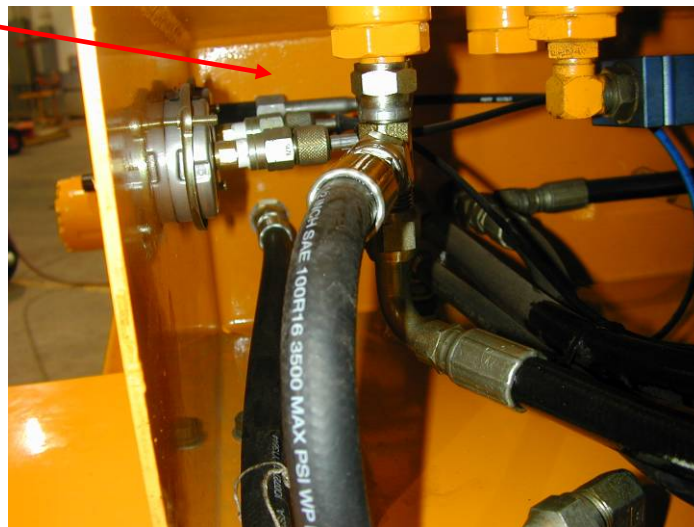


1



2

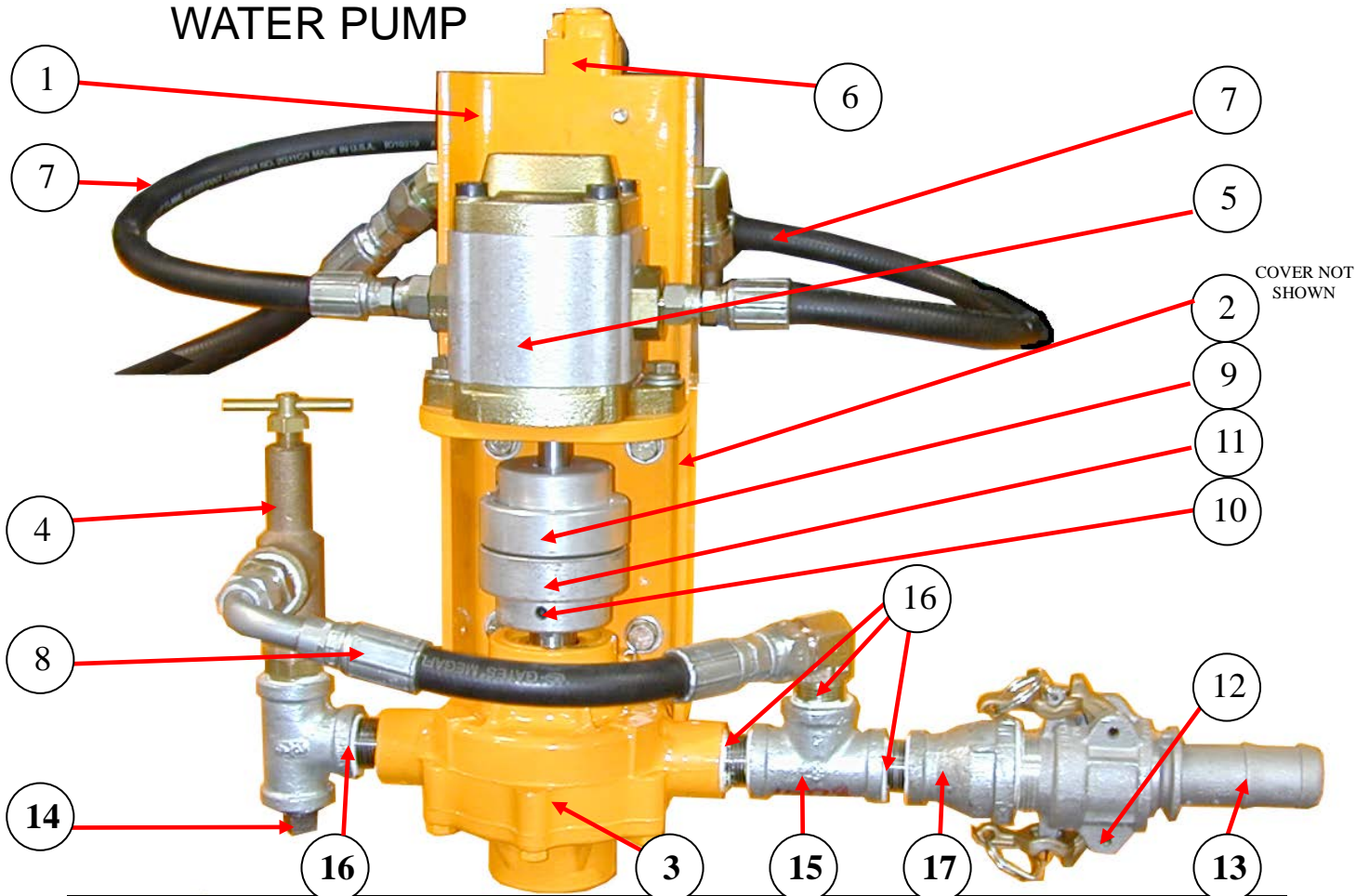
3



| ID # | PART #    | PART DESCRIPTION                      | QUANTITY |    |
|------|-----------|---------------------------------------|----------|----|
| 1    | 85657-023 | HOSE, 8M2T-10FJX-10FJX45-52.00        | 2        | EA |
| 2    | 86267     | WATER HOSE, 12 ENCONO-12FXP-12MP-20FT | 1        | EA |
| 3    | 800098    | NOZZLE, GARDEN HOSE                   | 1        | EA |

### OPTIONS

#### WATER PUMP

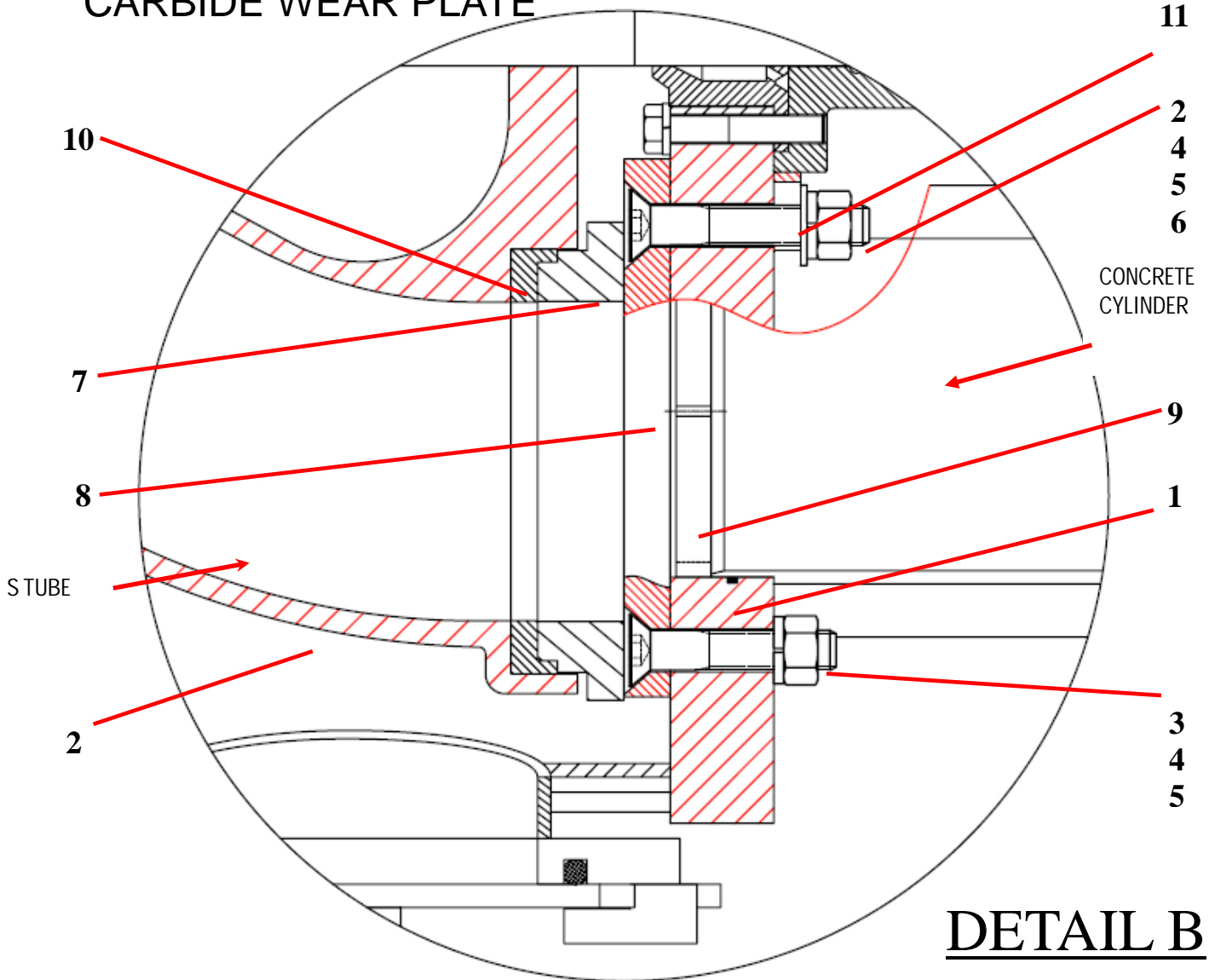


| ID # | PART #    | PART DESCRIPTION                     | QUANTITY |    |
|------|-----------|--------------------------------------|----------|----|
|      | 86200     | WASH PUMP ASSY                       |          | EA |
| 1    | 86196     | WASH PUMP BASE WLDMNT                | 1        | EA |
| 2    | 86199     | COVER, WASH PUMP                     | 1        | EA |
| 3    | 78157     | WASHPUMP-HYPRO                       | 1        | EA |
| 4    | 78128     | VALVE-P/RELIEF 3/4                   | 1        | EA |
| 5    | 78152     | MOTOR-HYD. WASH PUMP                 | 1        | EA |
| 6    | 86397     | VALVE-MANUAL-1 SPOOL-3 WAY           | 1        | EA |
| 7    | 85658-002 | HOSE, 6M2T-6FJX-17.00                | 2        | EA |
| 8    | 85657-022 | HOSE, 8M2T-10FJX-10FJX90S-11.25      | 1        | EA |
| 9    | 78153     | COUPLING FOR WASH PUMP-MOTOR         | 1        | EA |
| 10   | 78154     | COUPLING FOR WASH PUMP               | 1        | EA |
| 11   | 78155     | SPIDER, FOR WASH PUMP                | 1        | EA |
| 12   | 10948     | COUPLING-CAM/GROOVE 1.25" FEM. X MPT | 1        | EA |
| 13   | 10947     | COUPLING-CAM/GROOVE 1.25" FEM. X MPT | 1        | EA |
| 14   | 800371    | FITTING, GARDEN HOSE                 | 1        | EA |
| 15   | 10228     | TEE, 3/4"                            | 2        | EA |
| 16   | 40047     | NIPPLE-CLOSE PIPE 3/4"               | 4        | EA |
| 17   | 86398     | BELL REDUCER-3/4 X 1 1/4             | 1        | EA |



### OPTIONS

### CARBIDE WEAR PLATE



## DETAIL B

| ID # | PART #  | PART DESCRIPTION              | QUANTITY |    |
|------|---------|-------------------------------|----------|----|
| 1    | 86149   | O-RING, #259 BUENA 70         | 2        | EA |
| 2    |         | FHCS, 3/4 - 10X 4 1/2" GR 8   | 1        | EA |
| 3    |         | FHCS, 3/4 - 10X 3 1/2" GR 8   | 3        | EA |
| 4    |         | HEX NUT, 3/4 - 10             | 4        | EA |
| 5    |         | LOCK WASHER, 3/4"             | 4        | EA |
| 6    |         | FLATWASHER, 3/4"              | 4        | EA |
| 7    | 72310-1 | WEAR RING, CARBIDE, 6"        | 1        | EA |
| 8    | 86031-1 | WEAR PLATE, CARBIDE, 6"       | 1        | EA |
| 9    | 86086   | CHIP RING, 6"                 | 2        | EA |
| 10   | 86085   | SEAL, SINGLE LIP, 6"          | 1        | EA |
| 11   | 86502   | LOCATOR RING - FLANGE BEARING | 1        | EA |