



B20HPC-PLC-ELECTRIC PARTS

13822 Oaks Avenue
Chino, CA 91710
reedpumps.com
909-287-2100

PARTS.....	3
PUMPING TRAIN ASSEMBLY	3
S-TUBE ASSEMBLY.....	5
4" OUTLET ASSEMBLY	5
4" OUTLET SEAL KIT INSTALLATION	5
WEAR PLATE ASSEMBLY	7
4" PISTION CUP ASSEMBLY	8
DRIVE CYLINDER ASSEMBLY	9
DUAL SHIFT BELL CRANK ASSEMBLY	10
SAFETY GRATE	13
GRATE ASSEMBLY	13
CLEAN OUT DOOR ASSEMBLY	14
POWER TRAIN	16
ELECTRIC MOTOR AND PUMP	16
ELECTRIC MOTOR COUPLING	17
HYDRAULIC PUMP, GEAR BOX DETAIL.....	18
HYDRAULIC TANK ASSEMBLY	18
MANIFOLDS.....	20
DRIVE CYLINDER CIRCUIT MANIFOLD ASSEMBLY.....	21
S-TUBE CIRCUIT MANIFOLD ASSEMBLY	22
ELECTRICAL GROUP.....	25
PROXIMITY SWITCHES	25
WIRING HARNESS	26
CONTROLS.....	28
MAIN CONTROL BOX PANEL.....	28
KEY PAD SWITCHES INSERT KIT	29
KEY PAD SWITCHES INSERT KIT CONT.....	30
12VDC-35 AMP POWER SUPPLY (OPTION 1)	31
12VDC-35 AMP POWER SUPPLY (OPTION 2).....	31
MOTOR CIRCUIT BREAKER	32
SOFT START.....	34
MVEC/FUSE/RELAY	35
XC10	35
MD3 DISPLAY MODULE	37
ESTOP, KEY ASSEMBLY, PLUGS	38
BUSSES, CONNECTORS, PINS.....	38
CAN PUSH BUTTON SWITCHES PLUGS.....	40
FUSES, CONTACTOR, PHASE MONITOR	42
TRANSFORMER	43
DEUTSCH 128 PLUG ASSEMBLY.....	45
DEUTSCH 128 PLUG ASSEMBLY CONT.....	45



B20HPC-PLC-ELECTRIC PARTS

13822 Oaks Avenue
Chino, CA 91710
reedpumps.com
909-287-2100

WIRE HARNESS MAIN LAYOUT 46
 WIRE HARNESS DOOR LAYOUT 48
 CONDUIT, FITTING..... 49
 OPTION 50FT CABLE REMOTE..... 51
 FRAME 51
 HOOD AND COVERS 52
 OPTIONS 53
 HYDRAULIC AGITATOR 53
 HYDRAULIC AGITATOR CONT..... 56
 PERIFLO CHEMICAL PUMP 57

REV	DATE	DESCRIPTION	NAME
B20HPC-SKE-V20	1/2/2018	INITIAL	J.SLACK

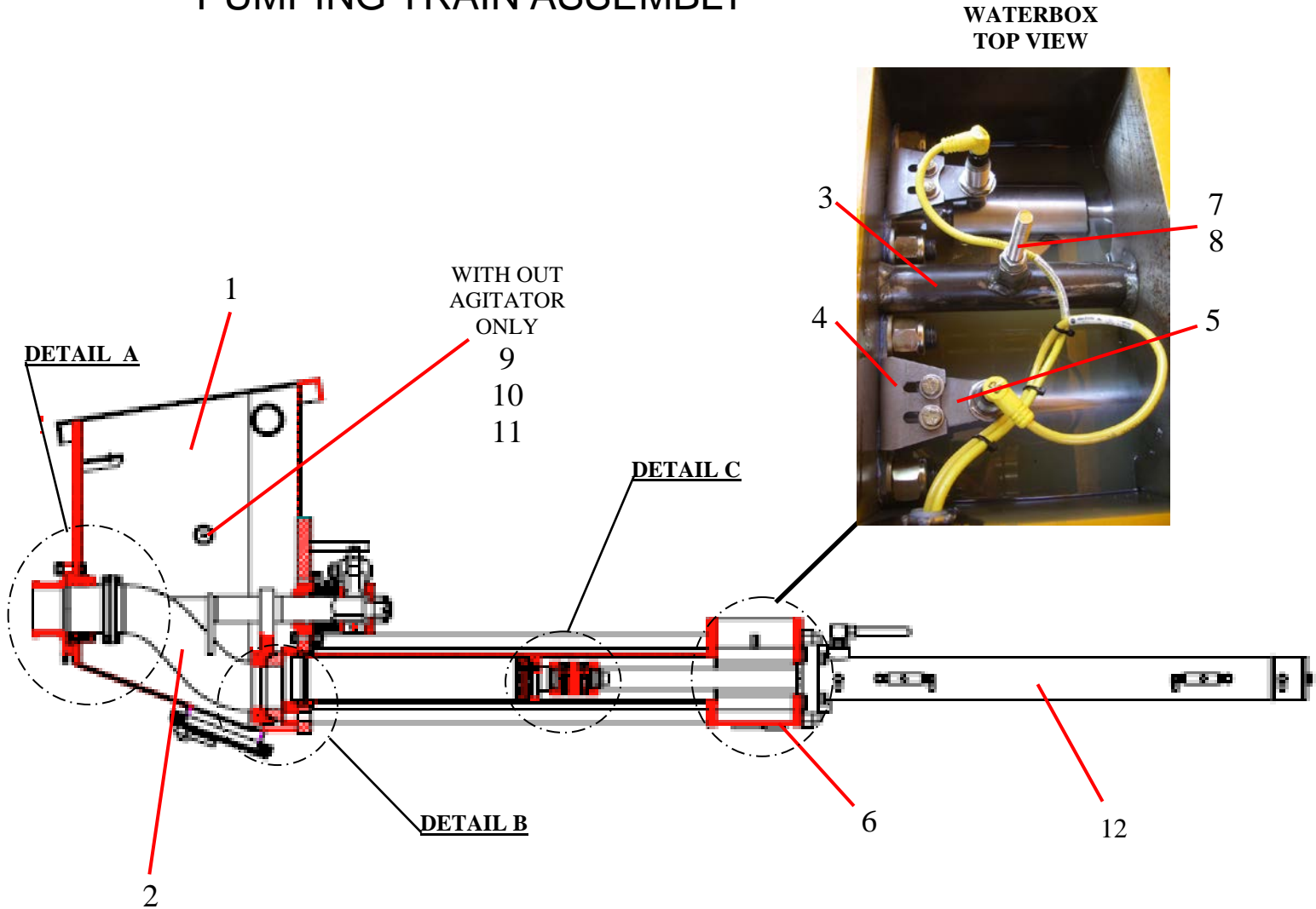


B20HPC-PLC-ELECTRIC PARTS

13822 Oaks Avenue
Chino, CA 91710
reedpumps.com
909-287-2100

PARTS

PUMPING TRAIN ASSEMBLY



ID #	PART #	PART DESCRIPTION	QUANTITY	
	87894-8	DUAL SHIFT PUMPING TRAIN ASSEMBLY	1	EA
1	87893	HOPPER WELD MOD-B20 STD DUAL	1	EA
2	71349	S TUBE WLD, 4X4	1	EA
3	88172	FLUSH BOX WELDMENT, B20/B20HP	1	EA
4	88180	BKT-PROX SENSOR, FLUSH BOX	2	EA
5	88179	BRACKET PROXIMITY SWITCH MOUNT	2	EA
6	10282	PLUGS-PIPE GALV 1"	1	EA
7	86665	STUD, 3/8-16 X3" LONG	1	EA
8		3/8-16 JAM NUT	1	EA
9	73433	COVER REMIX (OUTSIDE)	1	EA
10	73434	COVER PLATE (INSIDE)	1	EA
11	86623	SEAL, AGITATOR (INSIDE)	1	EA
12	86224HT	DRIVE CYLINDER -3.25 X 2.00 X 35.75	2	EA

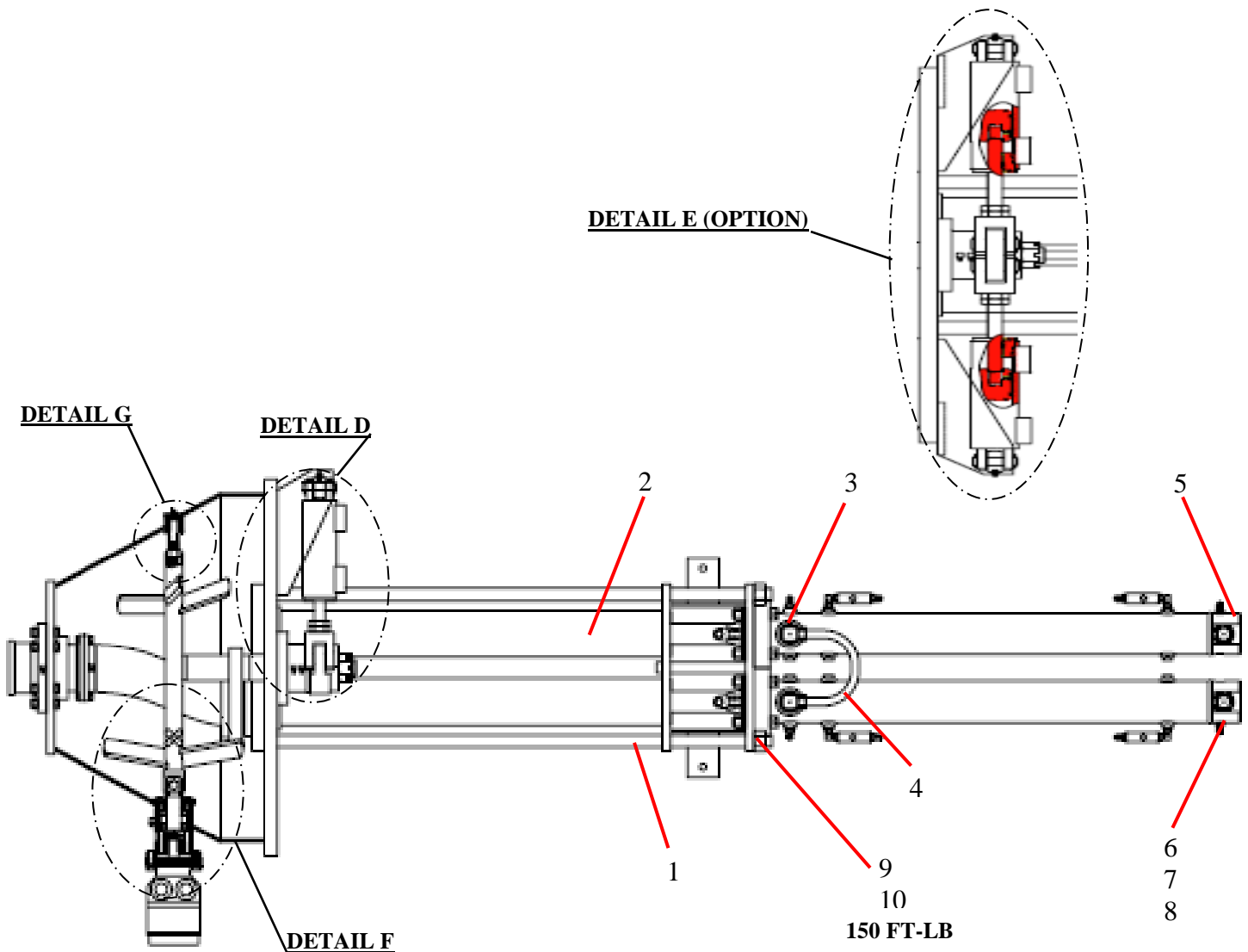


B20HPC-PLC-ELECTRIC

PARTS

13822 Oaks Avenue
Chino, CA 91710
reedpumps.com
909-287-2100

PUMPING TRAIN ASSEMBLY CONTINUED



ID #	PART #	PART DESCRIPTION	QUANTITY	
1	70315	TIE ROD, 1 1/4" -12 X 48 1/2"	4	EA
2	71232	CONCRETE CYLINDER, 4" X 36"	2	EA
3		ELBOW, MB – MJ-16-16	2	EA
4	85688	TUBE, HYD, LOOP LINE	1	EA
5	71401	END PLATE – HYD.CYL, PAINTED	1	EA
6		HHCS, 1/2" – 13X1 1/4" GR	4	EA
7		LOCK WASHER, 1/2	4	EA
8		FLATWASHER, 1/2	4	EA
9		HEX NUT 1 1/4" - 12	4	EA
10		LOCK WASHER, 1 1/4"	4	EA



B20HPC-PLC-ELECTRIC

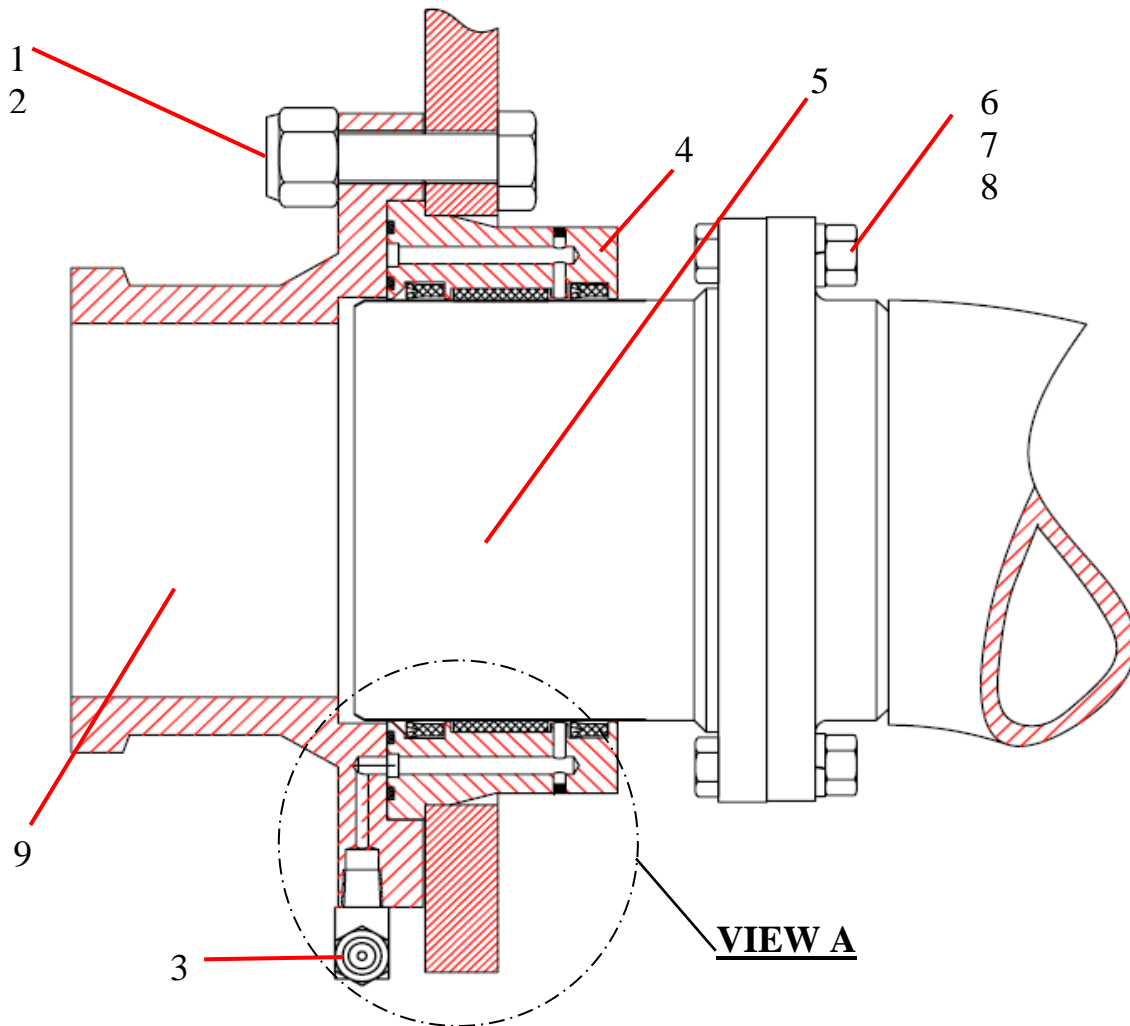
PARTS

13822 Oaks Avenue
Chino, CA 91710
reedpumps.com
909-287-2100

S-TUBE ASSEMBLY

4" OUTLET ASSEMBLY

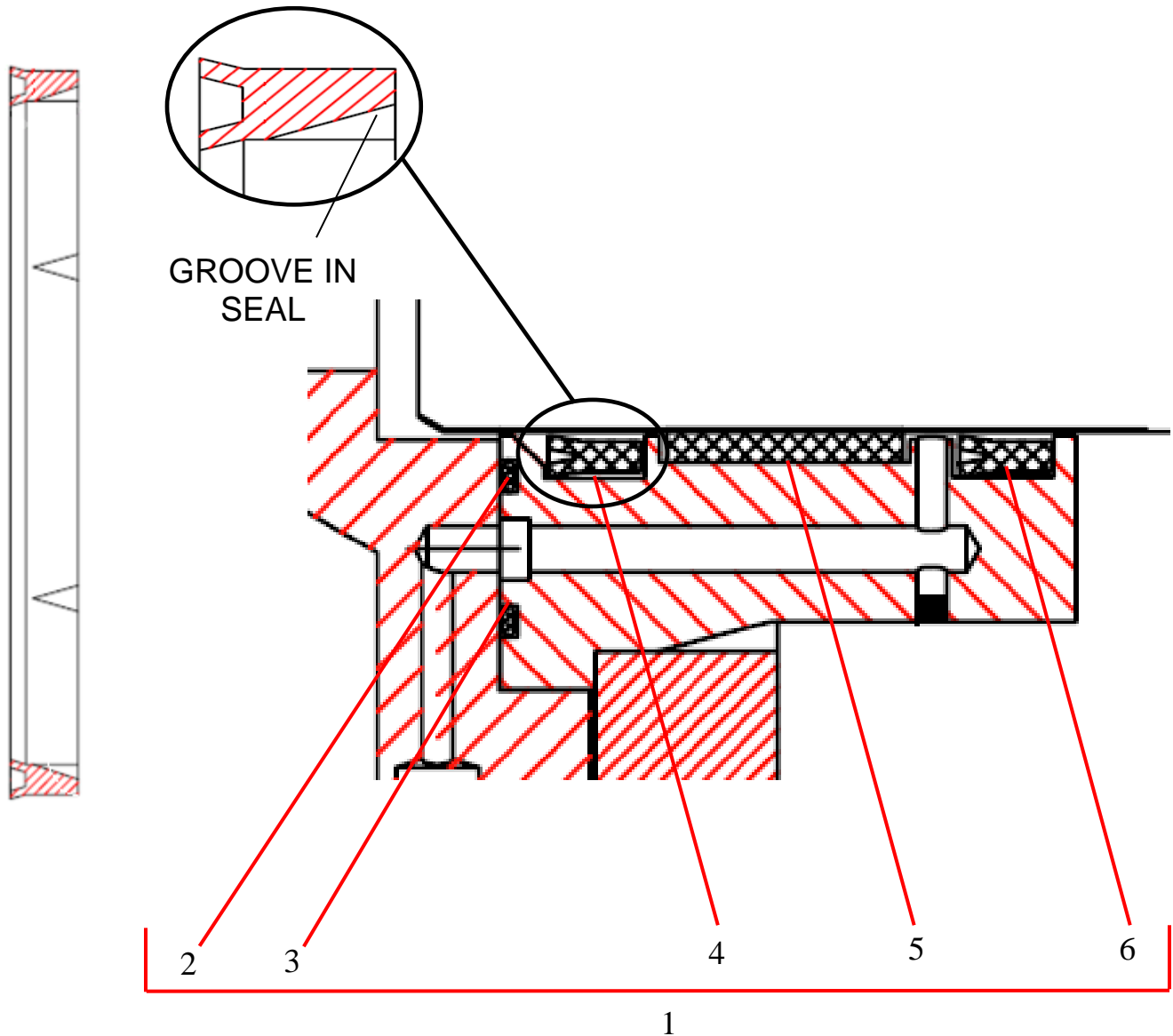
DETAIL A



ID #	PART #	PART DESCRIPTION	QUANTITY	
	86321	OUTLET ASSEMBLY	1	EA
1		HHCS, 9/16-12 X 2 1/2 GR/8	6	EA
2		LOCK NUT, 9/16 -12	6	EA
3		GREASE FITTING, 1/8" NPT 90°	2	EA
4	86335	OUTLET SEAL HOUSING- 4"	1	EA
5	71343	CHROMED OUTLET	1	EA
6		HHCS, 3/8 - 16X1 1/2" GR 8	6	EA
7		HEX NUT, 3/8" - 16	6	EA
8		LOCK WASHER, 3/8"	6	EA
9	86336	OUTLET, 4" (1-PIECE)	1	EA

4" OUTLET SEAL KIT INSTALLATION

VIEW A



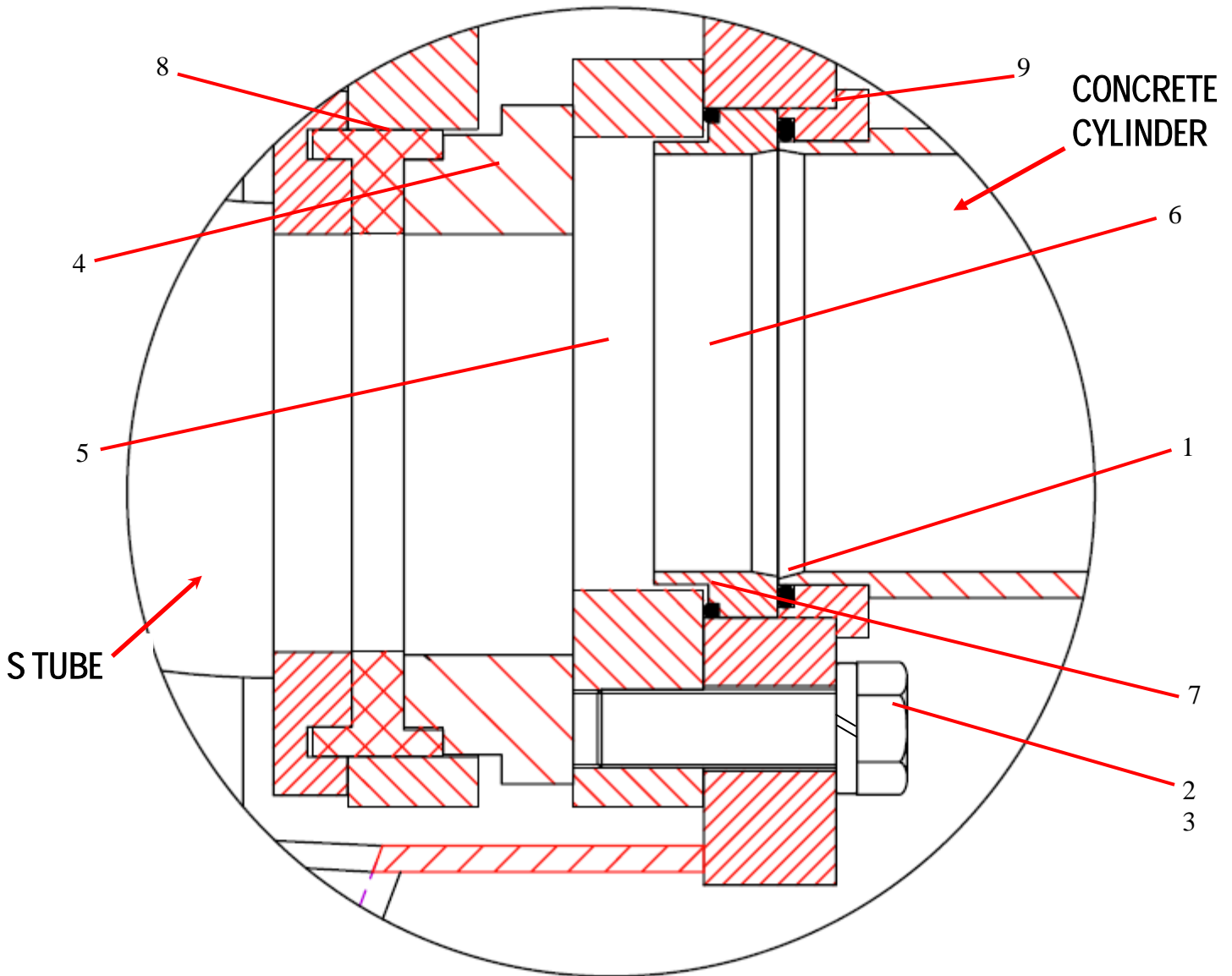
ID #	PART #	PART DESCRIPTION	QUANTITY	
1	86621	SEAL KIT	1	EA
2	86369	O-RING-#158 BUNA 90	1	EA
3	86370	O-RING-#163 BUNA 90	1	EA
4	86614	SEAL-MODIFIED- 4 IN OUTLET	1	EA
5	86371	GUIDE BAND - 4.75 OD X 1.00W	1	EA
6	86372	LIP SEAL -4.50 ID X 4.88 OD X.38	1	EA



B20HPC-PLC-ELECTRIC PARTS

13822 Oaks Avenue
Chino, CA 91710
reedpumps.com
909-287-2100

WEAR PLATE ASSEMBLY



ID #	PART #	PART DESCRIPTION	QUANTITY	
1	71249	O-RING, #347 BUENA 70	2	EA
2		HHCS, 3/4 - 10X 2 1/2" GR 8	5	EA
3		LOCK WASHER, 3/4"	5	EA
4	72384	WEAR RING, 4" DOUBLE LIP, 26% CHROME	1	EA
5	71251	WEAR PLATE-CAST 4" M20	1	EA
6	71254	ANTI CHIP RING, 4"	2	EA
7	71247	O-RING FOR CHIP RING	2	EA
8	72285	SEAL, DOUBLE LIP 4"	1	EA
9	71257	CONC, CYL. ADAPTER	2	EA



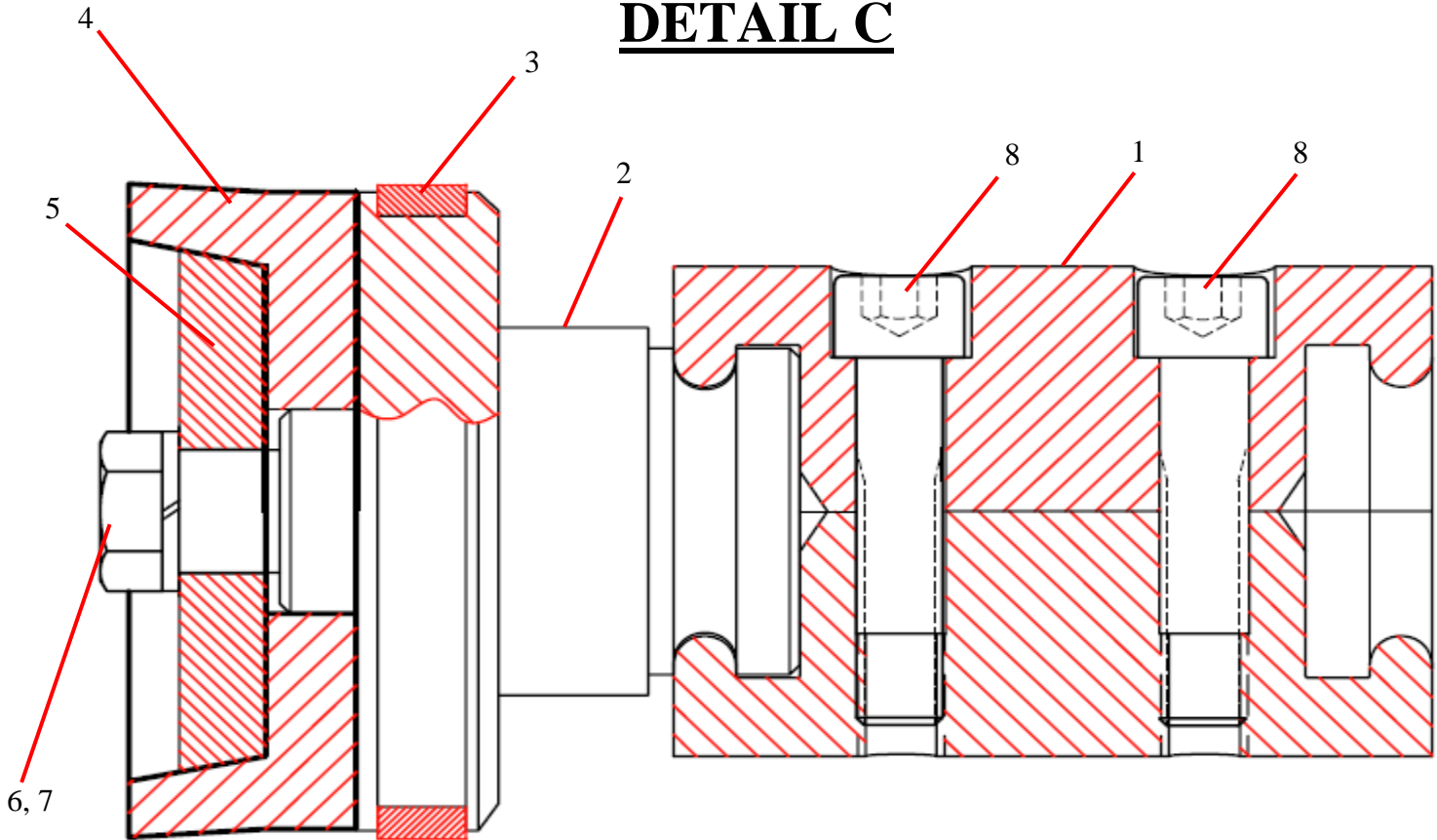
B20HPC-PLC-ELECTRIC

PARTS

13822 Oaks Avenue
Chino, CA 91710
reedpumps.com
909-287-2100

4" PISTON CUP ASSEMBLY

DETAIL C



ID #	PART #	PART DESCRIPTION	QUANTITY	
1	70077	PISTON COUPLING,	1	EA
2	87940	PISTON ADAPTER 4" WITH GUIDE BAND	1	EA
3	87994	WEAR RING (GUIDE BAND) 4"	1	EA
4	76500	PISTON CUP, 4 IN	1	EA
5	88011	PISTON PLATE 4" SINGLE BOLT	1	EA
6	87982	HHCS 3/4-16 1.5" LONG GR8 PLATED	1	EA
7	80010	LOCKWASHER-3/4 STL ZINC PLATED	1	EA
8		SHCS 1/2 - 13 X 2 1/4"	2	EA

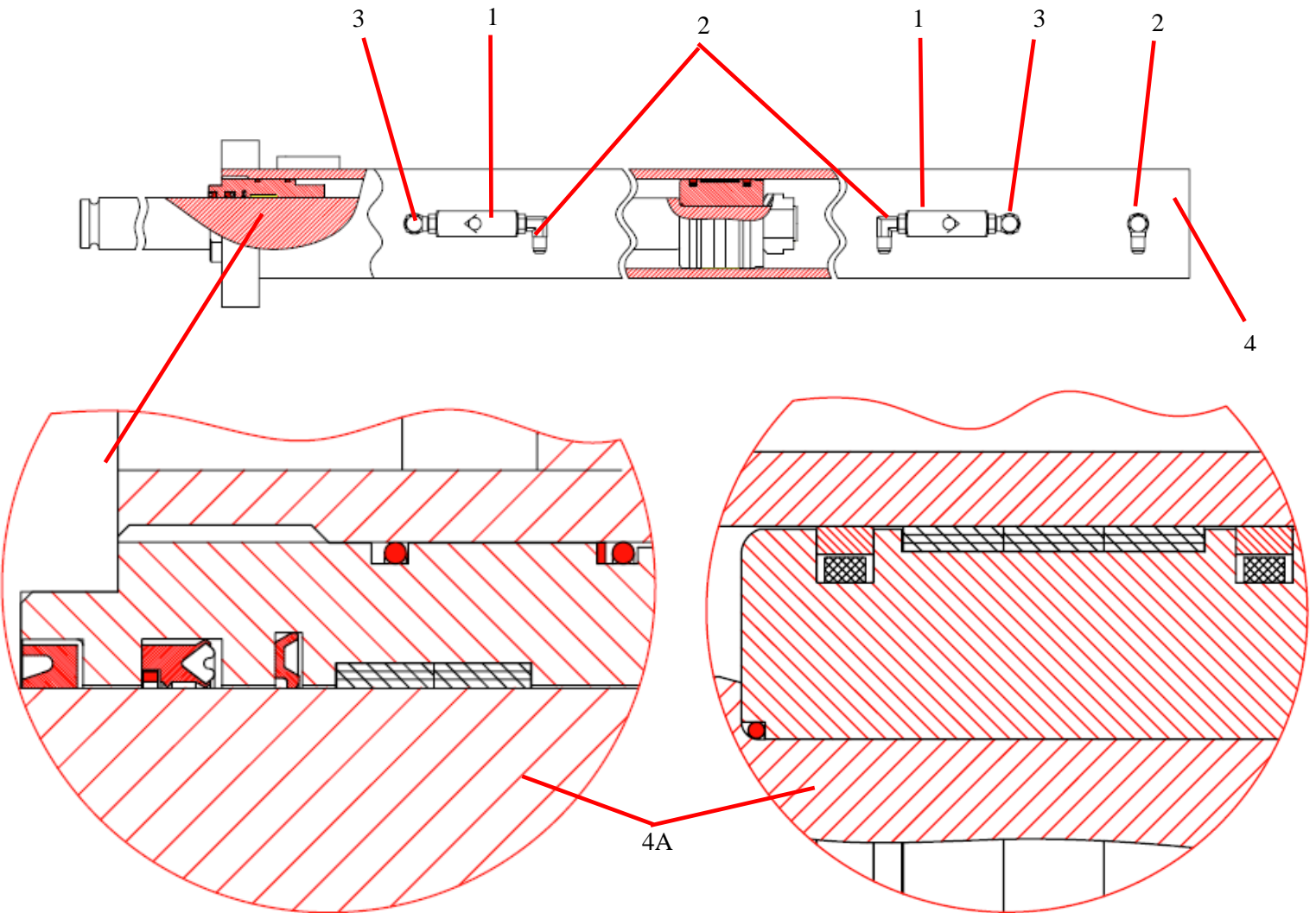


B20HPC-PLC-ELECTRIC

PARTS

13822 Oaks Avenue
Chino, CA 91710
reedpumps.com
909-287-2100

DRIVE CYLINDER ASSEMBLY



ID #	PART #	PART DESCRIPTION	QUANTITY	
	86304-2	HYD CYLINDER GROUP	REF	
1	78961	CHECK VALVE-5K PSI O-RING	2	EA
2	86748	FITTING-MB-MJ90-6-6	3	EA
3		ELBOW, MB-MB90-6-6	2	EA
4	86223HT	HYDRAULIC CYLINDER 3.50 X 2.00 X 35.75	1	EA
4A	86222A-SK	SEAL KIT	1	EA



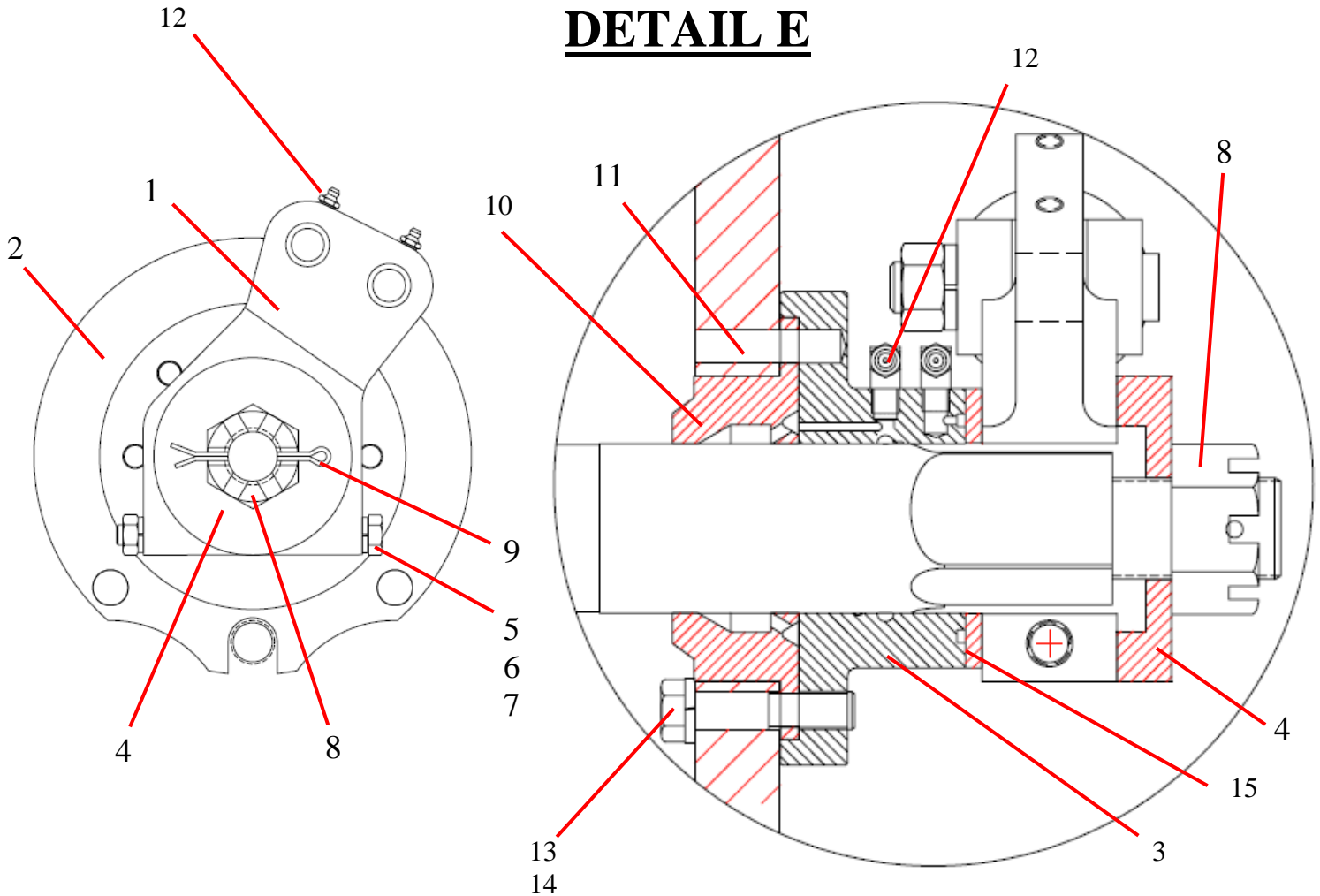
B20HPC-PLC-ELECTRIC

PARTS

13822 Oaks Avenue
Chino, CA 91710
reedpumps.com
909-287-2100

DUAL SHIFT BELL CRANK ASSEMBLY

DETAIL E



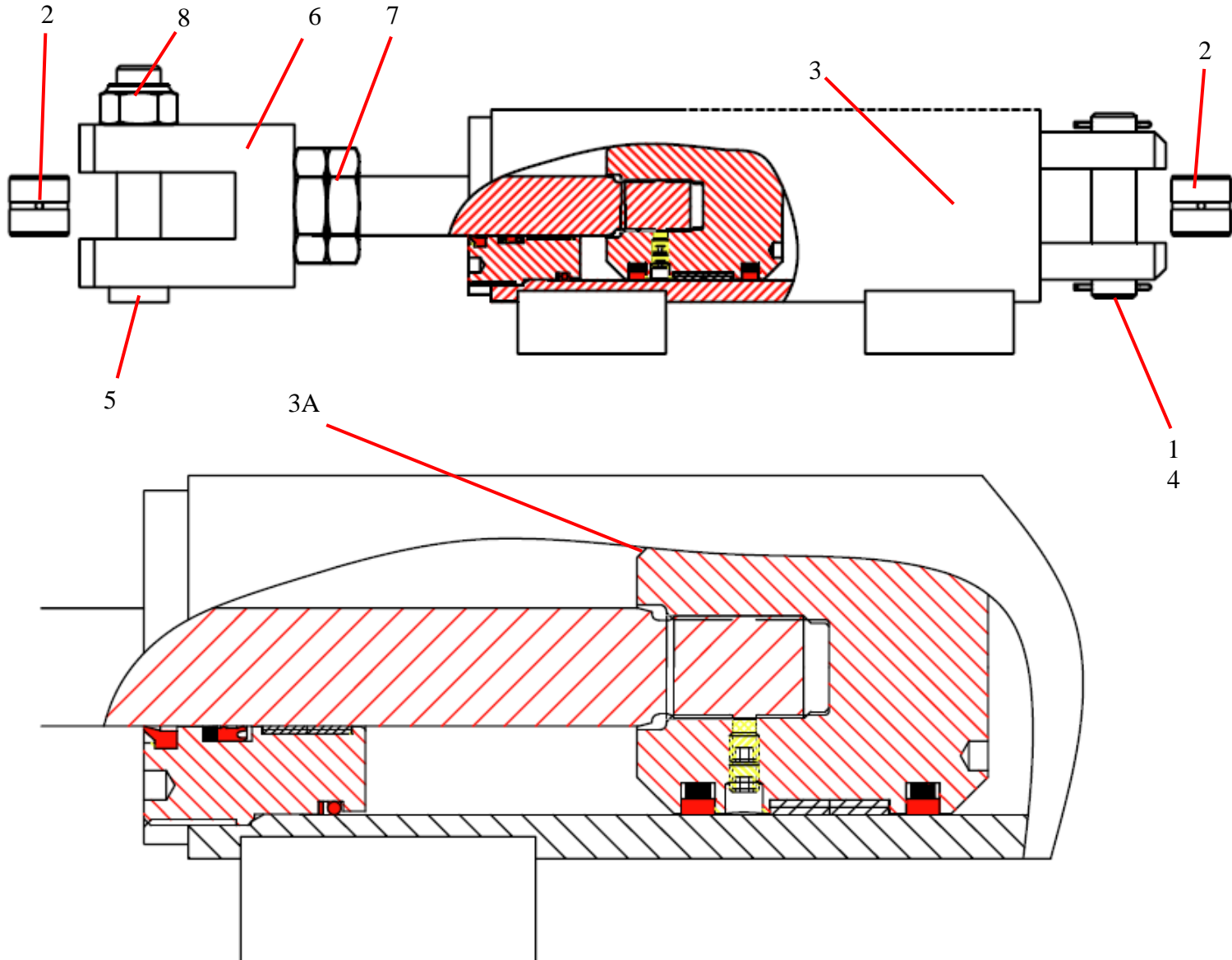
ID #	PART #	PART DESCRIPTION	QUANTITY	
1	85604	BELL CRANK,	1	EA
2	86502	LOCATOR RING- FLANGE BEARING	1	EA
3	70124	FLANGED BEARING	1	EA
4	70125	SPACER, S-TUBE NUT	1	EA
5		HHCS, 5/8"-18X5 1/2" GR 8	1	EA
6		LOCK WASHER, 5/8"	1	EA
7		JAM NUT, 5/8"	1	EA
8	70825	NUT 1 1/2" - 12 CASTLE	1	EA
9		COTTER PIN, 1/4 X4"	1	EA
10	73564	SEAL, FLANGE BEARING 2.5 SHAFT	1	EA
11		DOWEL PIN, 1/2" DIA X 2"	2	EA
12		GREASE FITTING, 1/8" NPT	2	EA
13		HHCS, 9/16 - 12X3" GR 8	4	EA
14		LOCK WASHER, 9/16"	4	EA
15	70141	THRUST WASHER, S -TUBE	1	EA



B20HPC-PLC-ELECTRIC PARTS

13822 Oaks Avenue
Chino, CA 91710
reedpumps.com
909-287-2100

DUAL SHIFT CYLINDER ASSEMBLY



ID #	PART #	PART DESCRIPTION	QUANTITY	
1	74207	PIN - CLEVIS - .750 DIA	1	EA
2	71011	BUSHING - SHIFT CYLINDER	1	EA
3	86221-1HT	SWING CYLINDER 2.50 X 1.00 X 5.00	2	EA
3A	86221A-SK	SEAL KIT	2	EA
4		COTTER PIN, 3/32X1 3/4"	2	EA
5	70142	PIN, CLEVIS	1	EA
6	70143	CLEVIS, SHIFT CYLINDER	1	EA
7		1"X14 JAM NUT	2	EA
8		3/4 - 10 LOCK NUT	1	EA



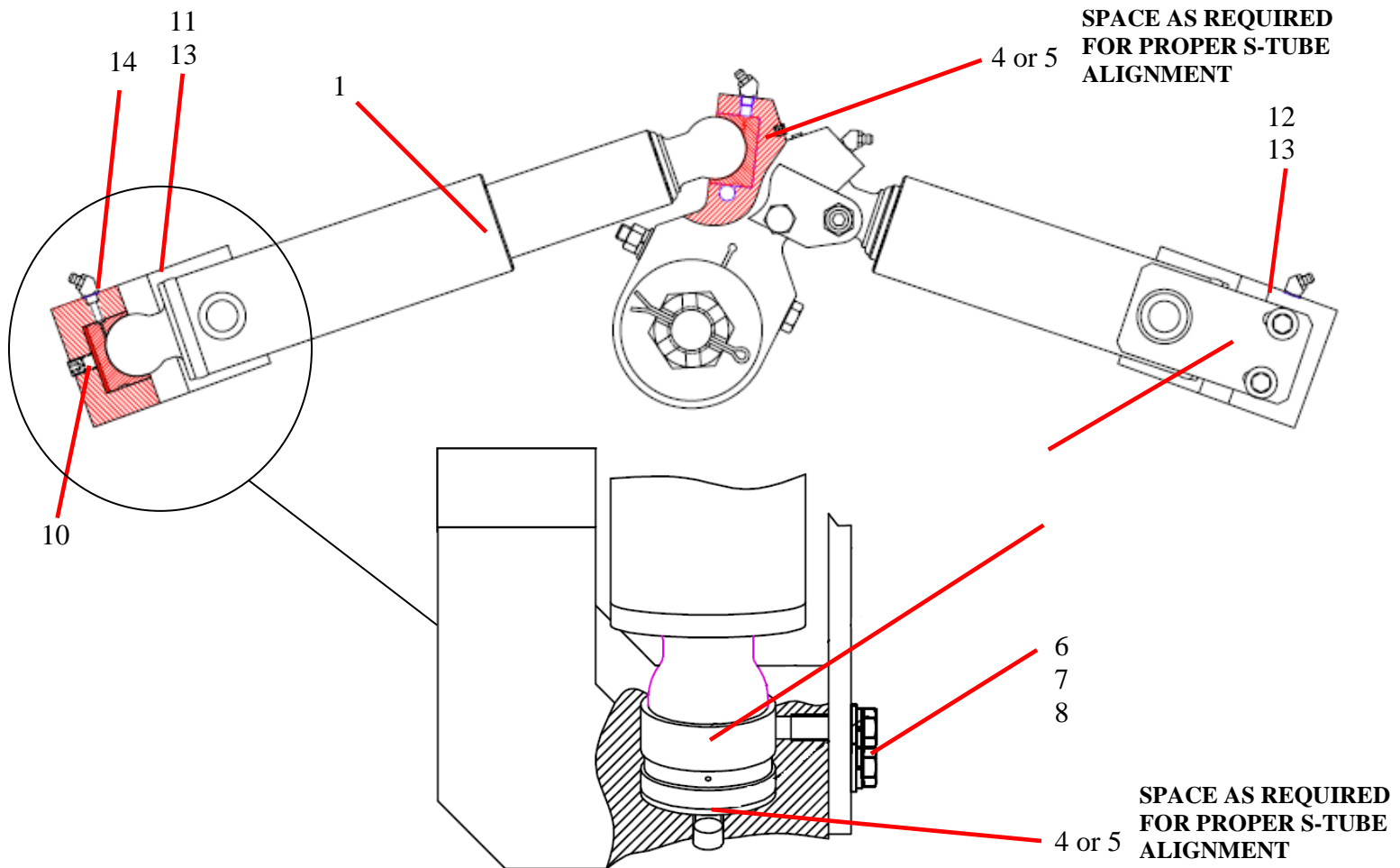
B20HPC-PLC-ELECTRIC

PARTS

13822 Oaks Avenue
Chino, CA 91710
reedpumps.com
909-287-2100

DUAL SHIFT ASSEMBLY

DETAIL E



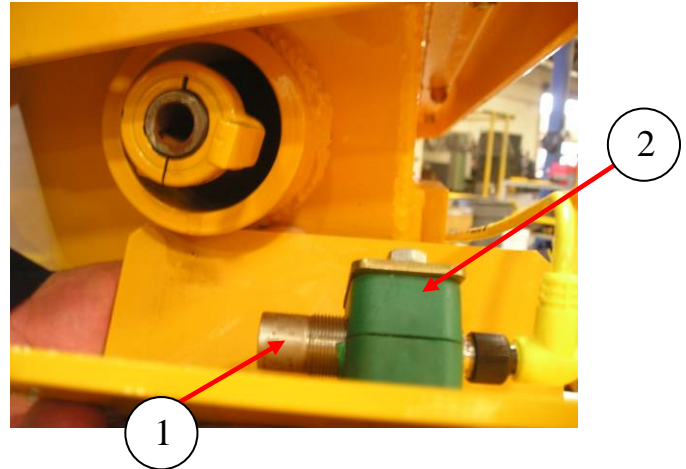
ID #	PART #	PART DESCRIPTION	QUANTITY	
1	86220HT	SWING RAM – 2.5 X 5.75 STROKE	REF	
2	86441	RETAINER, SWING RAM	2	EA
3	76798-1	BALL SOCKET, NYLON	4	EA
4	75501	SPACER 1/8"	A/R	EA
5	75502	SPACER 1/16"	A/R	EA
6		HHCS, 3/8-24X1 1/4" GR8	4	EA
7		WASHER, 3/8"	4	EA
8		LOCK WASHER, 3/8"	4	EA
10	86283	SETSCREW – 5/8 -11X2.00 CUP	2	EA
11	85941	HOUSING, RH SWING RAM	1	EA
12	85942	HOUSING, LH SWING RAM	1	EA
13	86052	DOWEL PIN, 1/2" DIA X 2"	4	EA
14		GREASE FITTING, 1/8" NPT	2	EA



B20HPC-PLC-ELECTRIC PARTS

13822 Oaks Avenue
Chino, CA 91710
reedpumps.com
909-287-2100

SAFETY GRATE



ID #	PART #	PART DESCRIPTION	QUANTITY	
1	87369	PROXIMITY SENSOR PNP HOPPER GRATE	1	EA
2	801902-006	CLAMP,18MM TUBE CLAMP SET	1	EA
3	87997	COVER WELD PROX SWITCH HOPPER	1	EA

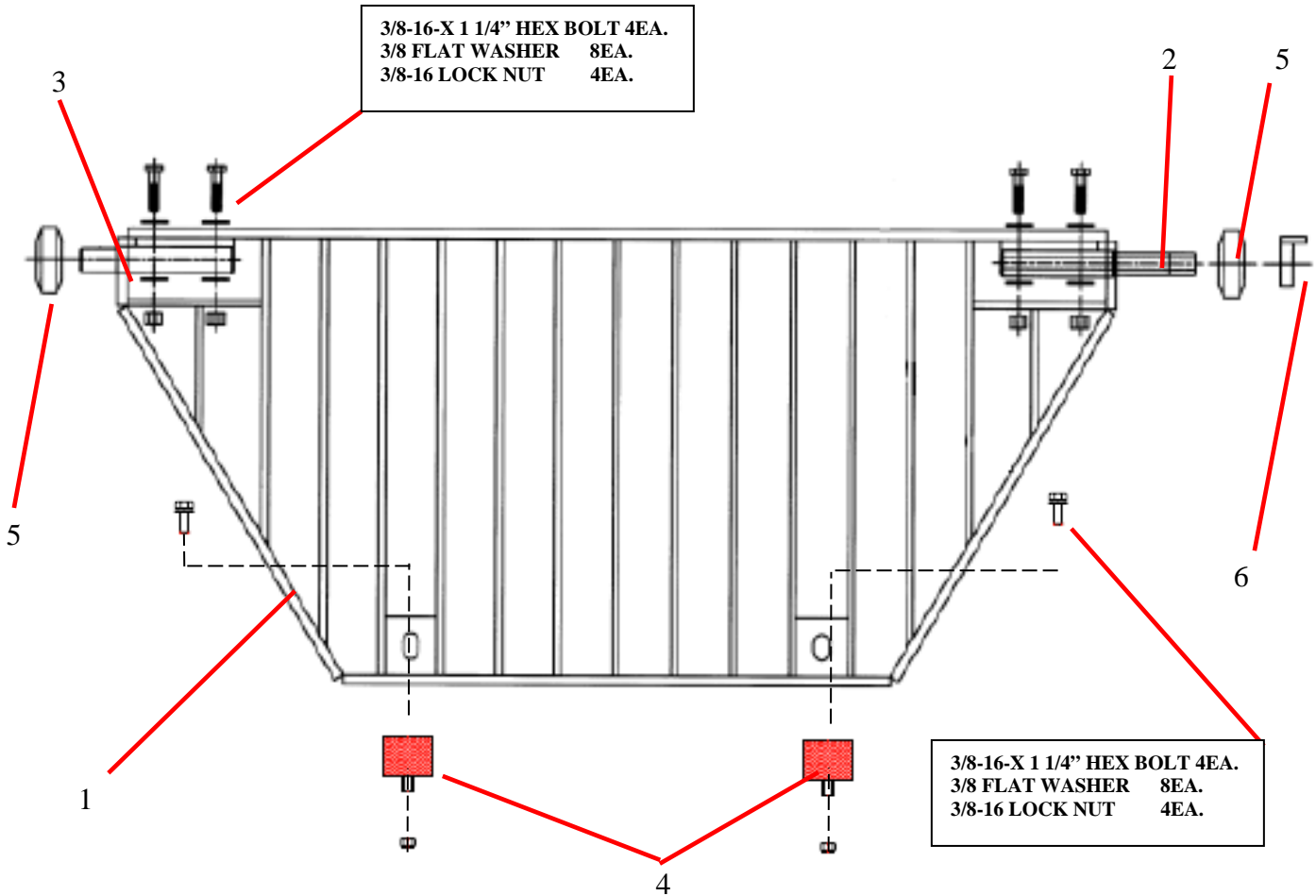


B20HPC-PLC-ELECTRIC

PARTS

13822 Oaks Avenue
Chino, CA 91710
reedpumps.com
909-287-2100

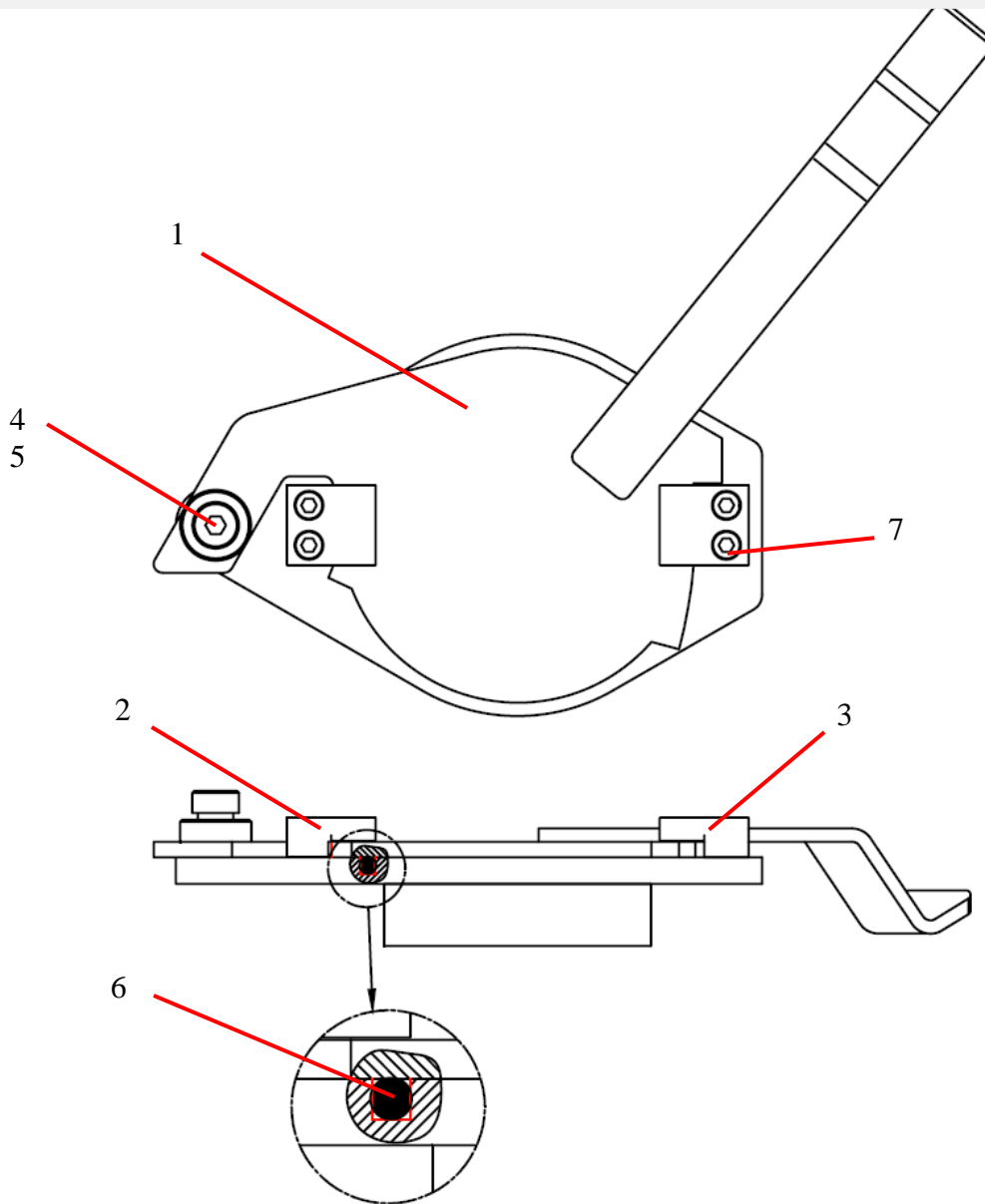
GRATE ASSEMBLY



ID #	PART #	PART DESCRIPTION	QUANTITY	
1	87892	GRATE WELDMENT, STD HOPPER	1	EA
2	87857	PIN WELDMENT LONG	1	EA
3	87858	PIN WELDMENT SHORT	1	EA
4	86083	BUMPER, HOPPER GRATE	2	EA
5	W-102490	RUBBER BUFFER 65X22.5X26	2	EA
6	87769	COLLAR SHAFT, 7/8" DIA	1	EA



CLEAN OUT DOOR ASSEMBLY



ID #	PART #	PART DESCRIPTION	QUANTITY	
	86542	CLEAN OUT DOOR WELDMENT PARTS KIT	REF	
1	86988	DOOR WELDMENT, CLEAN OUT	1	EA
2	86559	BLOCK, CLEAN OUT DOOR, LH	1	EA
3	86560	BLOCK, CLEAN OUT DOOR, RH	1	EA
4		SHOULDER SCREW 1" DIA-1 1/4"	1	EA
5	85367	BOSS, CLEAN OUT DOOR	1	EA
6	W-102908A	O-RING CORD, HOPPER DOOR	2.21	FT
7		SHCS 1/2"-13 X 1 1/4"	4	EA

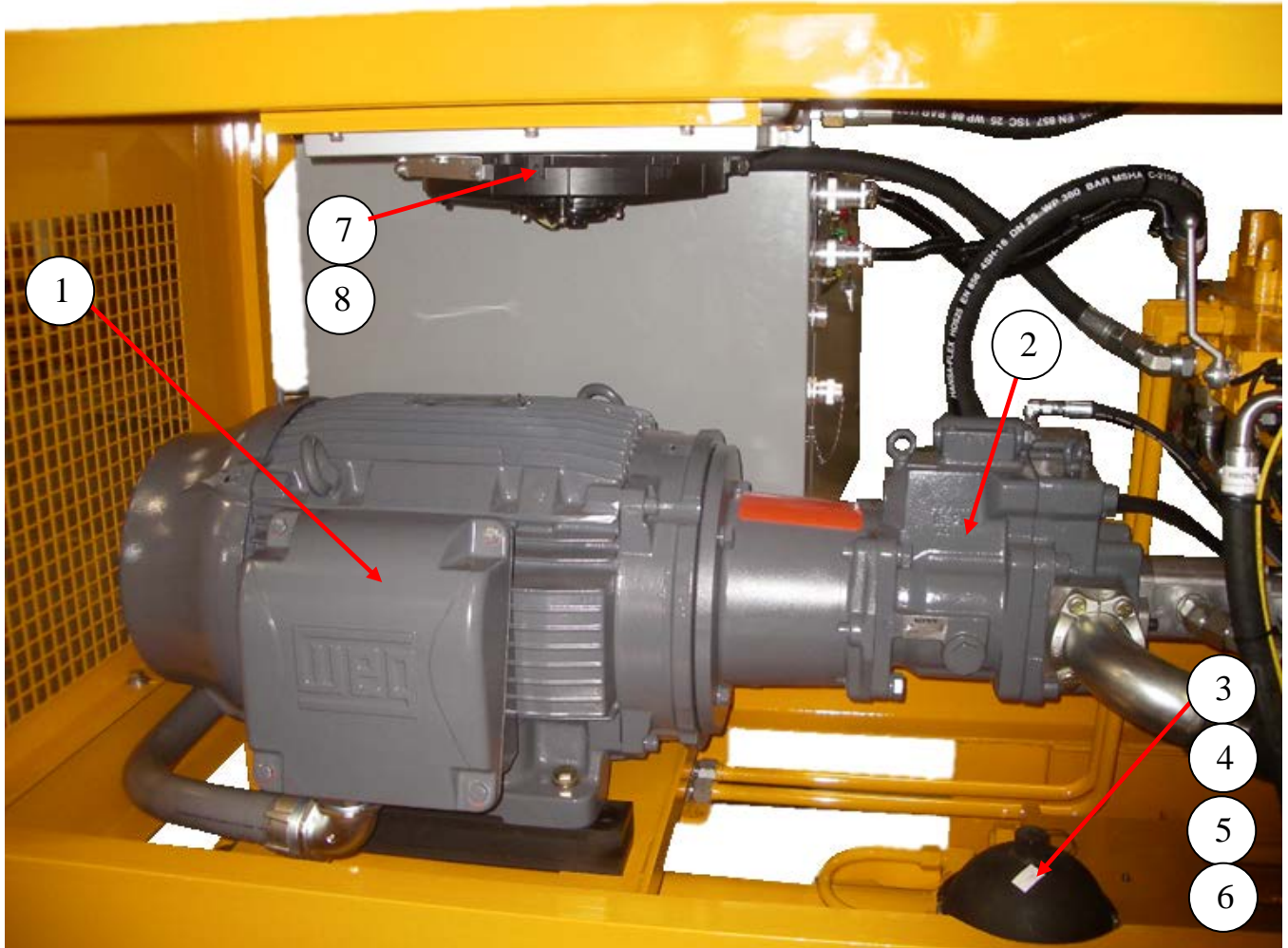


B20HPC-PLC-ELECTRIC

PARTS

13822 Oaks Avenue
Chino, CA 91710
reedpumps.com
909-287-2100

POWER TRAIN ELECTRIC MOTOR AND PUMP



ID #	PART #	PART DESCRIPTION	QUANTITY	
	88027-4	POWER TRAIN ASSY B20 SKE	REF	REF
1	85991	MOTOR, 50HP, 230-460V,60HZ,3PH	1	EA
2	85124-007	PUMP, P2105, PARKER	1	EA
3	71360	ACCUMULATOR	1	EA
4	73171	ACCUMULATOR BRK.W/CLOSING HARDWARE	1	EA
5	801028	GROMMET, ACCUMULATOR	1	EA
6	88748	BRACKET ACCUMULATOR MOUNT	1	EA
7	88749	BRACKET OIL COOLER MOUNT	1	
8	88968	HYD. OIL COOLER-ELECTRIC 120VAC	1	EA

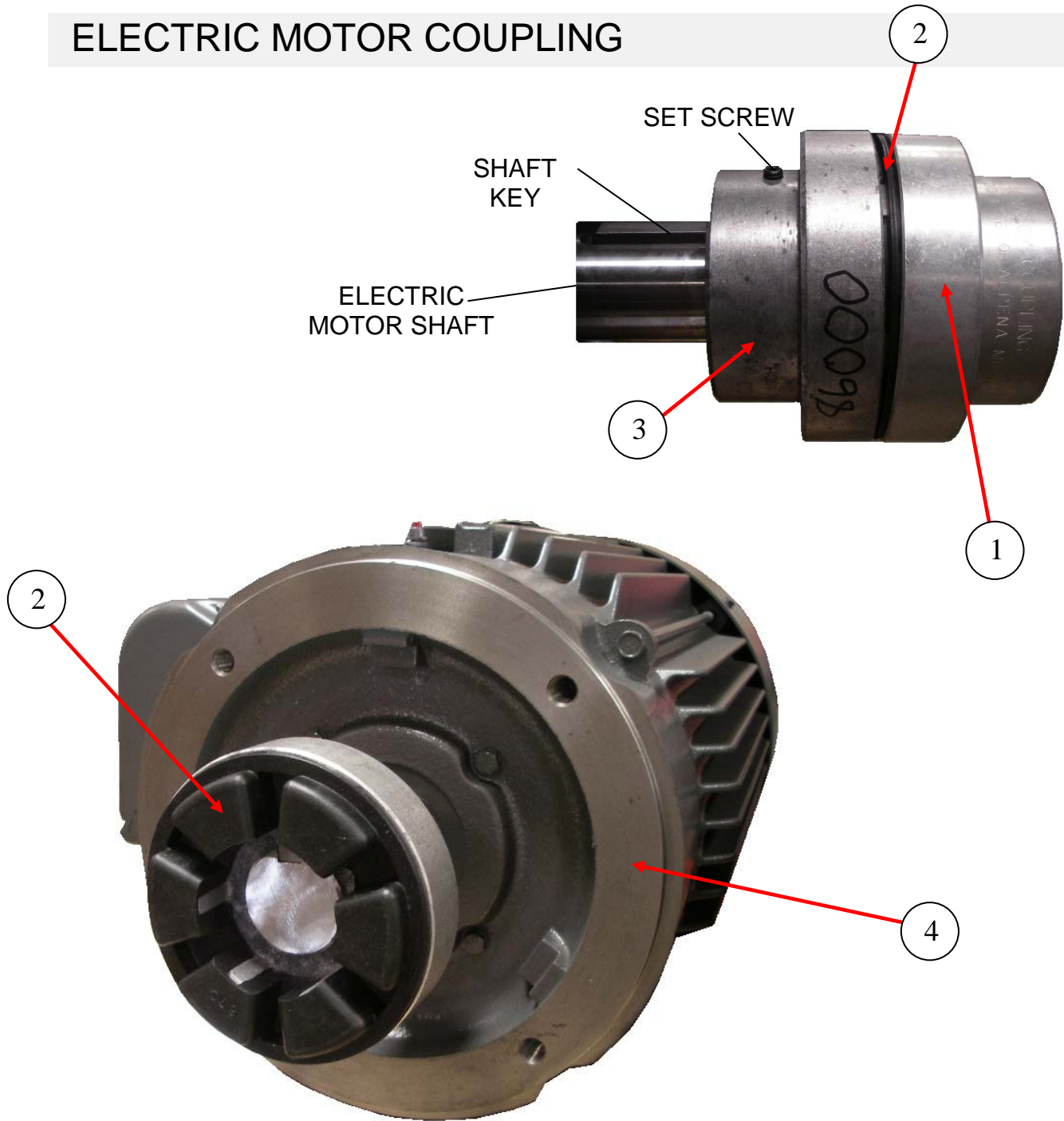


B20HPC-PLC-ELECTRIC

PARTS

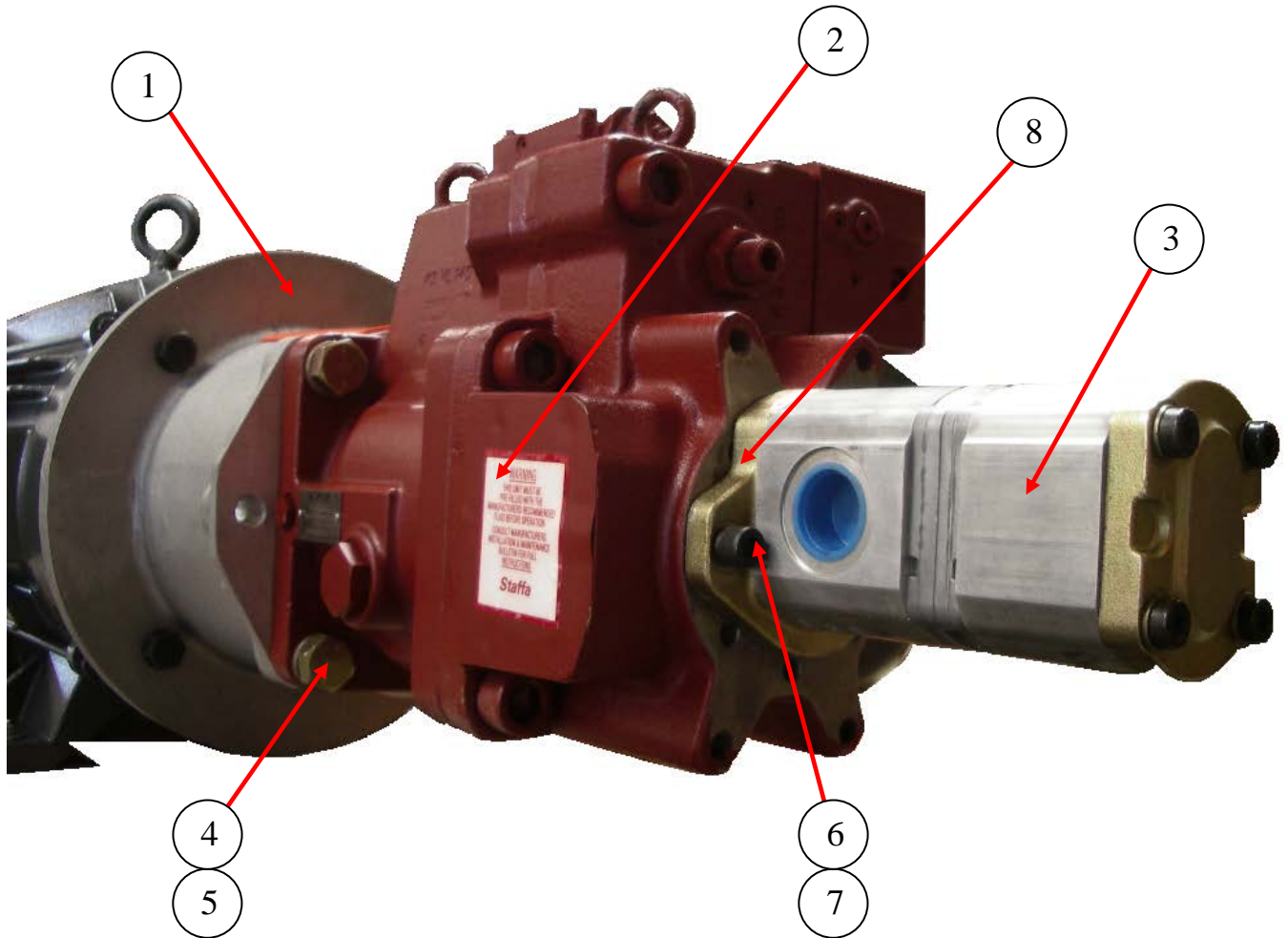
13822 Oaks Avenue
Chino, CA 91710
reedpumps.com
909-287-2100

ELECTRIC MOTOR COUPLING



ID #	PART #	PART DESCRIPTION	QUANTITY	
1	88450-1	COUPLING HALF, SPLINE SAE C, 14 TH 12/24	1	EA
2	86002	COUPLING SPIDER, L190-NBR (USE P/N 87041)	1	EA
3	86000	COUPLING HALF, L190-2 1/2X1/2 (USE P/N 87039)	1	EA
4	85991	MOTOR, 50HP, 230-460V, 60HZ, 3PH	REF	EA

HYDRAULIC PUMP, GEAR BOX DETAIL



ID #	PART #	PART DESCRIPTION	QUANTITY	
1	72266	PUMP ADAPTER- FRAME 324/326TC/SAE-C	1	EA
2	85124-007	PUMP, PARKER, P2105	REF	EA
3	87153-001	PUMP-RH-DBLE GEAR, 11.3/8.2 CC BOSCH	1	EA
4		¾-2" BOLT	4	EA
5		¾ LOCK WASHER	4	EA
6		M10 X 30 SHCS	2	EA
7		10MM HI COLLAR LOCK WASHER	2	EA
8	88174	O-RING	1	EA

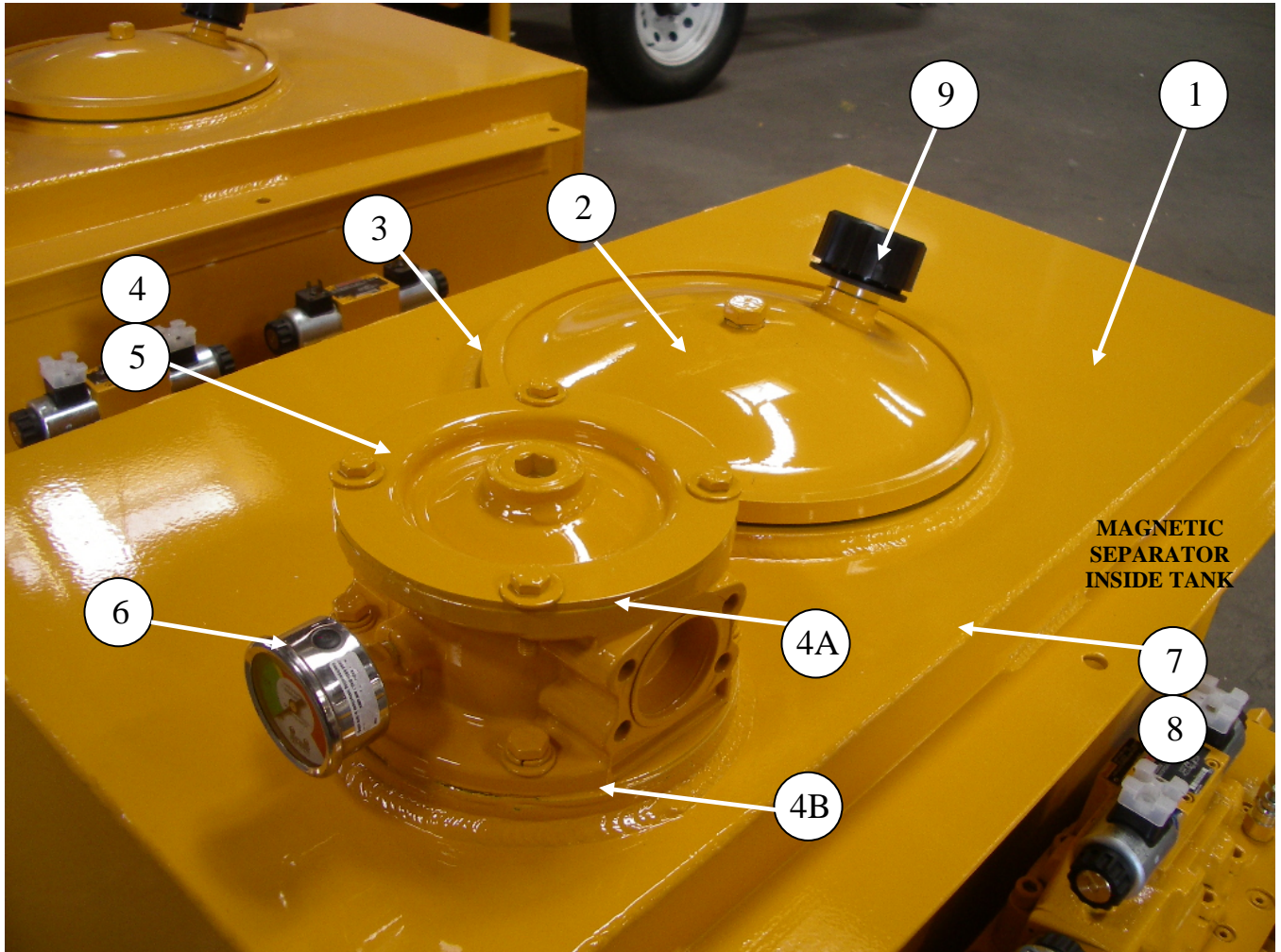


B20HPC-PLC-ELECTRIC

PARTS

13822 Oaks Avenue
Chino, CA 91710
reedpumps.com
909-287-2100

HYDRAULIC TANK ASSEMBLY



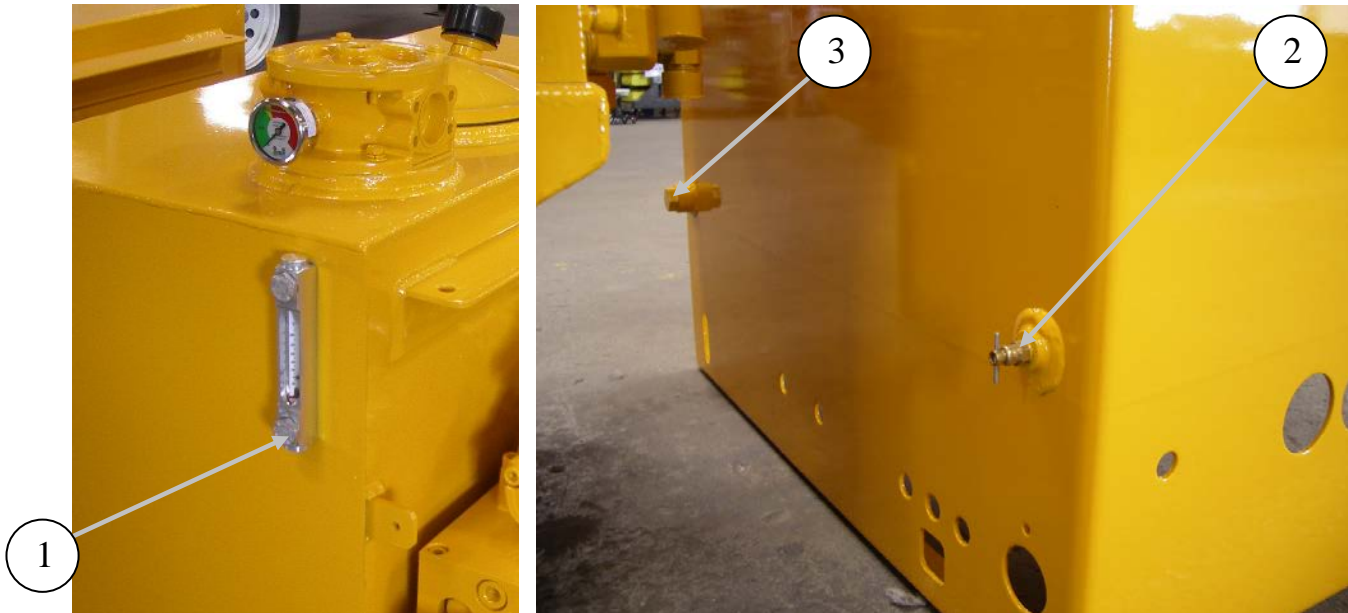
ID #	PART #	PART DESCRIPTION	QUANTITY	
	85361	HYD TANK ASSY B-SERIES	1	EA
1	85102	HYDRAULIC TANK WELDMENT, B-SERIES	1	EA
2	85529	ENDCOVER KIT, 12 IN W/DRAIN	1	EA
3	85867	GASKET- END COVER 12"	1	EA
4	85282	FILTER, RETURN, TANK MOUNTED	1	EA
4A	BW10241	SEAL KIT FOR 85282 FILTER RETURNS	1	EA
4B	85282-G	GASKET-CORK	1	EA
5	85283	FILTER ELEMENT, PN 85282 FILTER	1	EA
6	85575	GAUGE, PN 85282 RETURN FILTER	1	EA
7	79247	MAGNETIC SEPERATOR 1 1/4 " NPT	1	EA
8	800230	MAGNETIC SEPARATOR,3"NPT	1	EA
9	85537	FILLER BREATHER, 3/4 NPT	1	EA



B20HPC-PLC-ELECTRIC PARTS

13822 Oaks Avenue
Chino, CA 91710
reedpumps.com
909-287-2100

HYDRAULIC ASSEMBLY CONTINUE



ID #	PART #	PART DESCRIPTION	QUANTITY	
1	74509	GAUGE-SIGHT/TEMPERATURE	1	EA
2	801025	DRAIN COCK, 1/4 NPT	1	EA
3	BG-12	3/4" SAE PLUG	1	EA
4	70366	PRESSURE GAUGE, 3000 PSI/BAR	1	EA
5	74562	PRESSURE GAUGE, 6000 PSI/BAR	1	EA
6	78594	MINICHECK GAUGE ADAPTOR, 1/4 NPT	2	EA
7		HOFFMAN PLUG	1	A/R

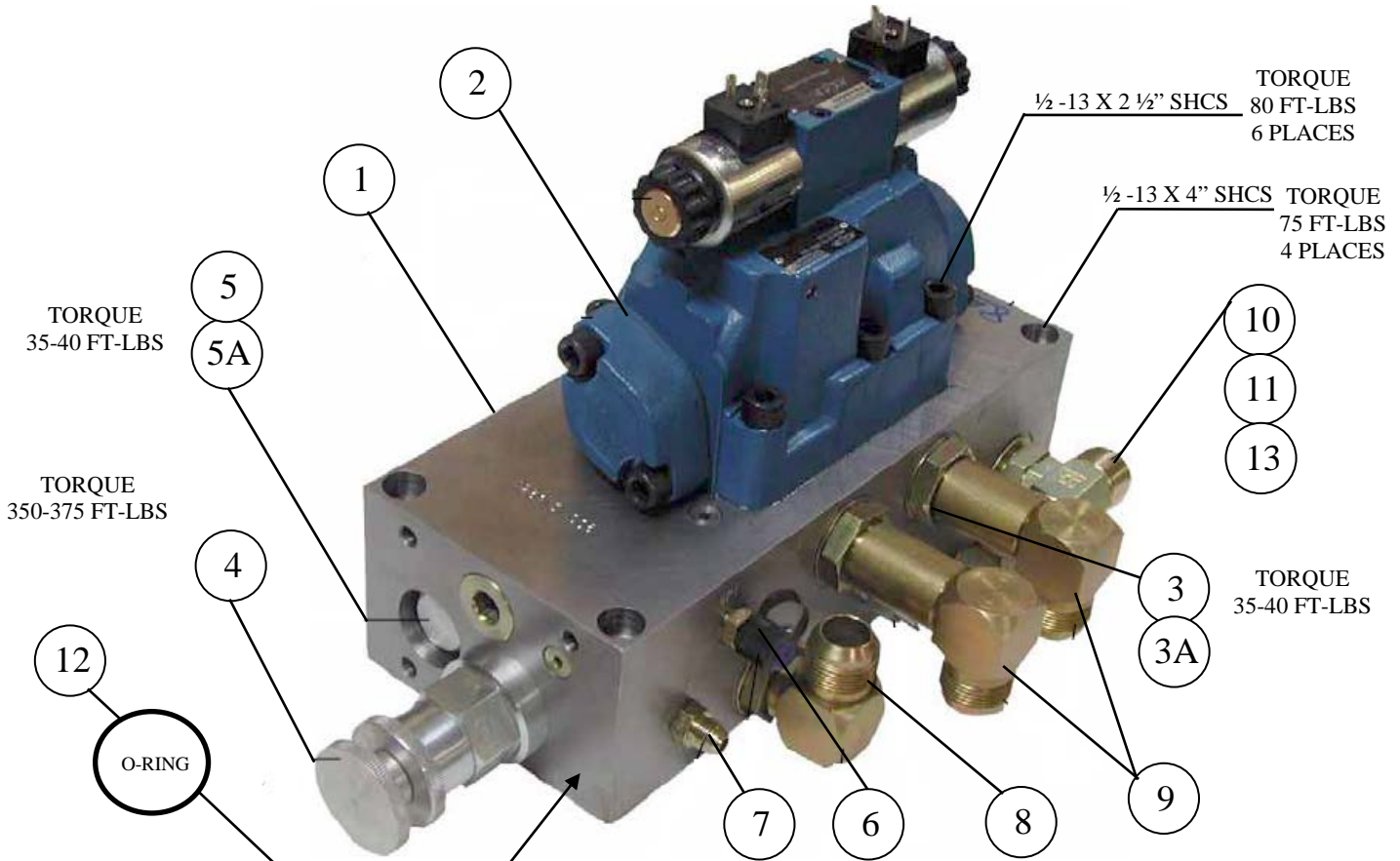


B20HPC-PLC-ELECTRIC PARTS

13822 Oaks Avenue
Chino, CA 91710
reedpumps.com
909-287-2100

MANIFOLDS

DRIVE CYLINDER CIRCUIT MANIFOLD ASSEMBLY



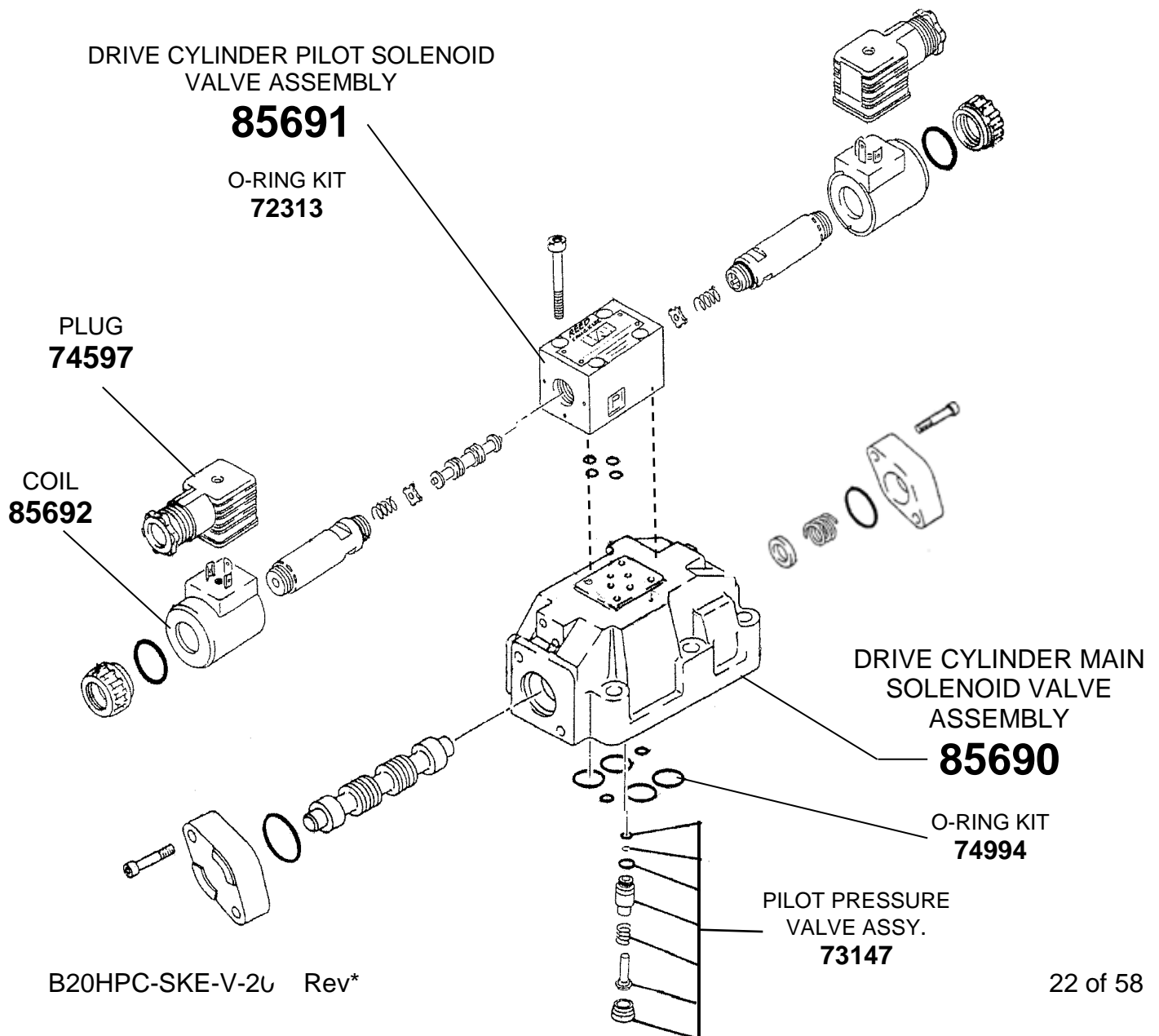
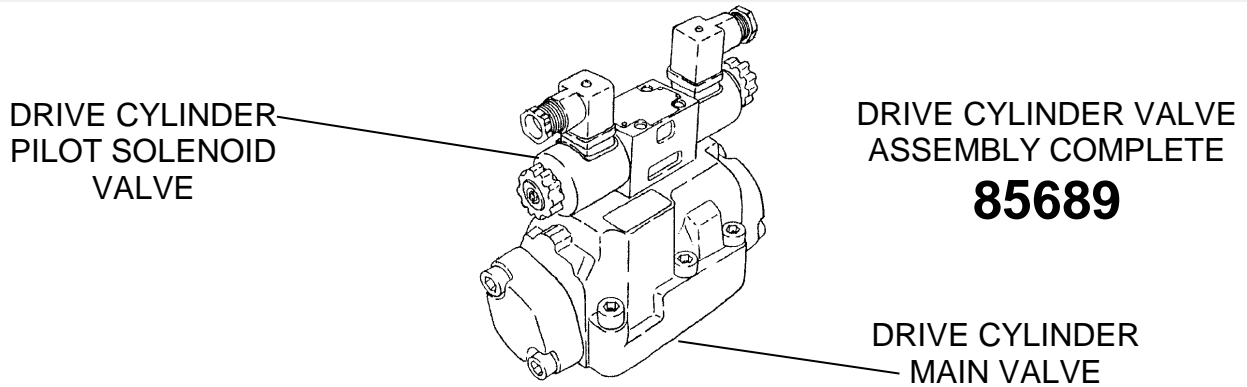
ID #	PART #	PART DESCRIPTION	QUANTITY	
	85248-M	MANIFOLD, CYLINDER CIRCUIT ASSEMBLY	1	EA
1	86820	MANIFOLD, MACHINED CYLINDER CIRCUIT	1	EA
2	85689	SOLENOID VALVE, DRIVE CYLINDER	1	EA
3	85696	RELIEF VALVE CARTRIDGE	1	EA
3A	85696-SK	SEAL KIT		
4	86952-003	MOTORIZED FLOW CONTROL FOR B SER	1	EA
5	85698	CHECK VALVE CARTRIDGE	1	EA
5A	85698-SK	SEAL KIT		
6	78593	MINICHECK ADAPTOR, SAE 4	1	EA
7	86900-002	ADAPTOR, MB-MJ-4-6	1	EA
8	86728-023	ELBOW, MB-MJ45-16-16	1	EA
9	86904-012	ELBOW, MB-MJ90LL-16-16	2	EA
10	86945-001	TEE, MJ-MB-MJT-16	1	EA
11	86905-016	ELBOW, MJ-FJX90-16-16	1	EA
12	86946	O-RING #230 BUNA 90DUR	1	EA
13	86948-001	REDUCER, JIC MJ-FJ-10-16	1	EA



B20HPC-PLC-ELECTRIC PARTS

13822 Oaks Avenue
Chino, CA 91710
reedpumps.com
909-287-2100

DRIVE CYLINDER CIRCUIT MANIFOLD ASSEMBLY CONT.

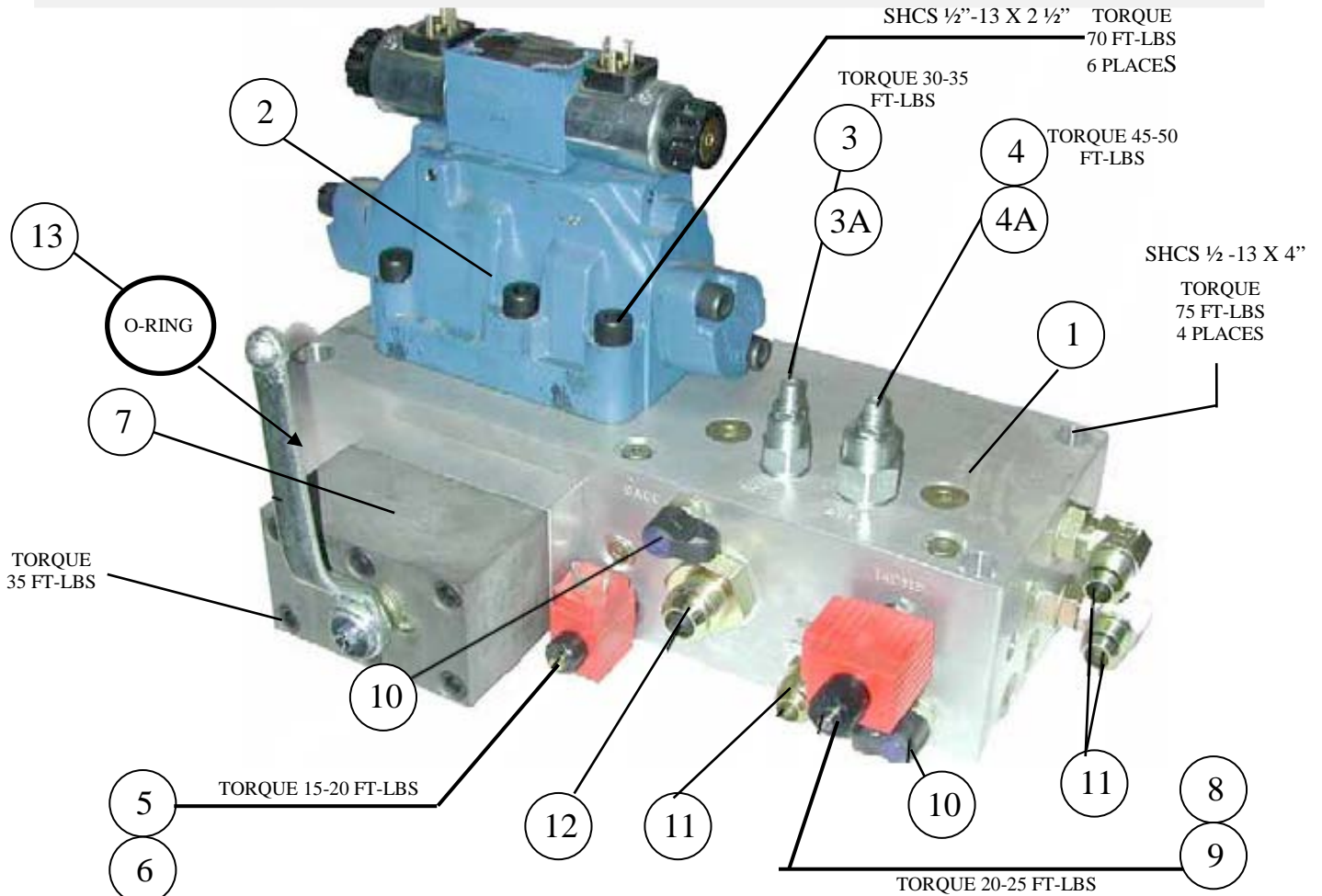




B20HPC-PLC-ELECTRIC PARTS

13822 Oaks Avenue
Chino, CA 91710
reedpumps.com
909-287-2100

S-TUBE CIRCUIT MANIFOLD ASSEMBLY



ID #	PART #	PART DESCRIPTION	QUANTITY	
	85249	MANIFOLD, S-TUBE CIRCUIT ASSEMBLY		
1	86821	MANIFOLD, MACHINED S-TUBE CIRCUIT	1	EA
2	85693	SOLENOID VALVE, S-TUBE SHIFT	1	EA
3	85704	UNLOADER VALVE CARTRIDGE, (QCDB)	1	EA
3A	85704-SK	SEAL KIT		
4	85703	RELIEF VALVE CARTRIDGE, (RVEA)	1	EA
4A	85703-SK	SEAL KIT		
5	87246	SOLENOID VALVE CARTRIDGE, (12CHS)	1	EA
6	87247	COIL, 12VDC,	1	EA
7	85705	BALL VALVE,	1	EA
8	87248	SOLENOID VALVE CARTRIDGE, (14CHS)	1	EA
9	87249	COIL, 12V DC FOR PN-87248	1	EA
10	78593	MINICHECK ADAPTOR, SAE	2	EA
11	86728-014	ELBOW, MB-MJ90-10-10	2	EA
12	86900-027	ADAPTOR, MB-MJ-16-12	1	EA
13	86946	O-RING #230 BUNA 90DUR	1	EA

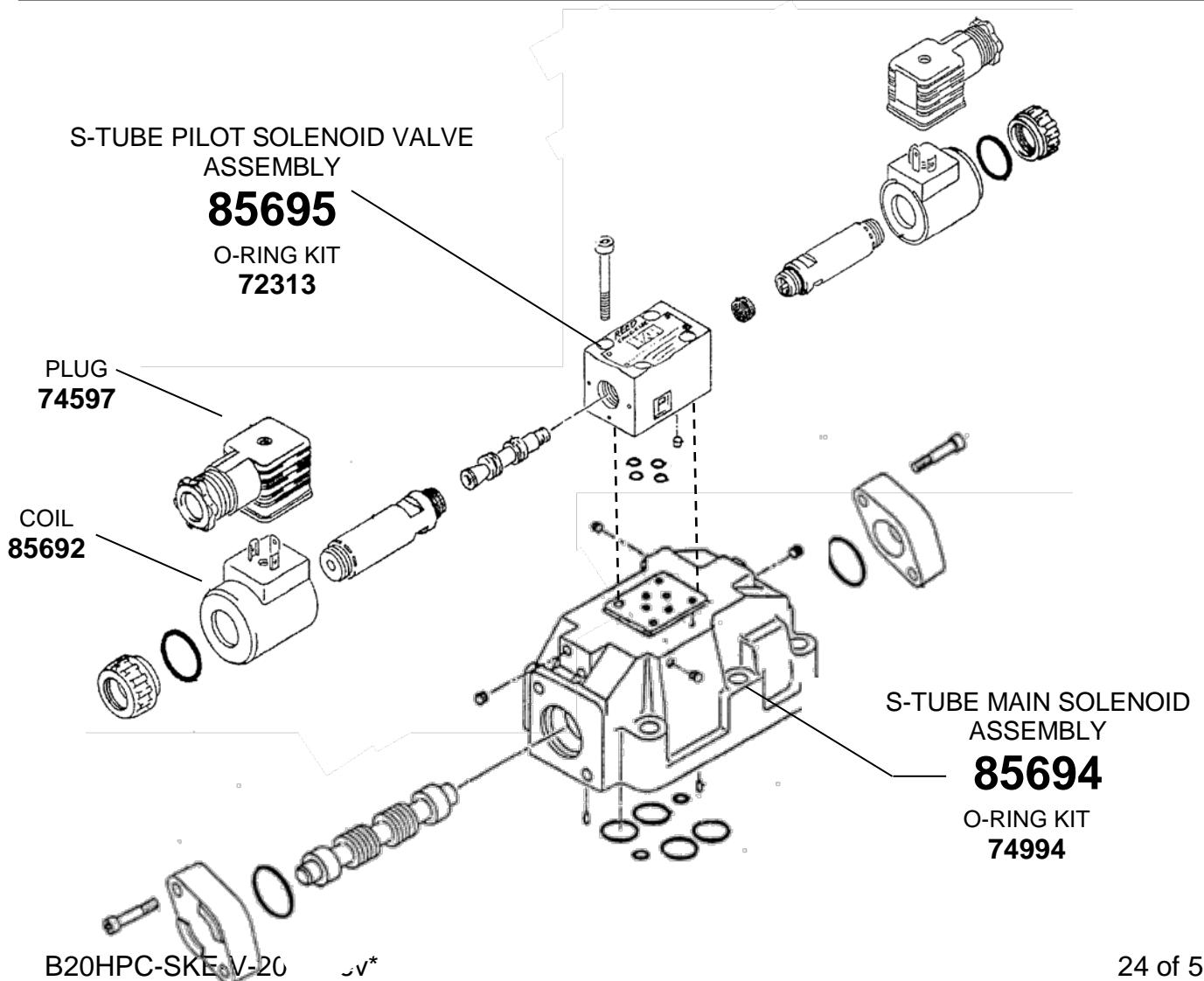
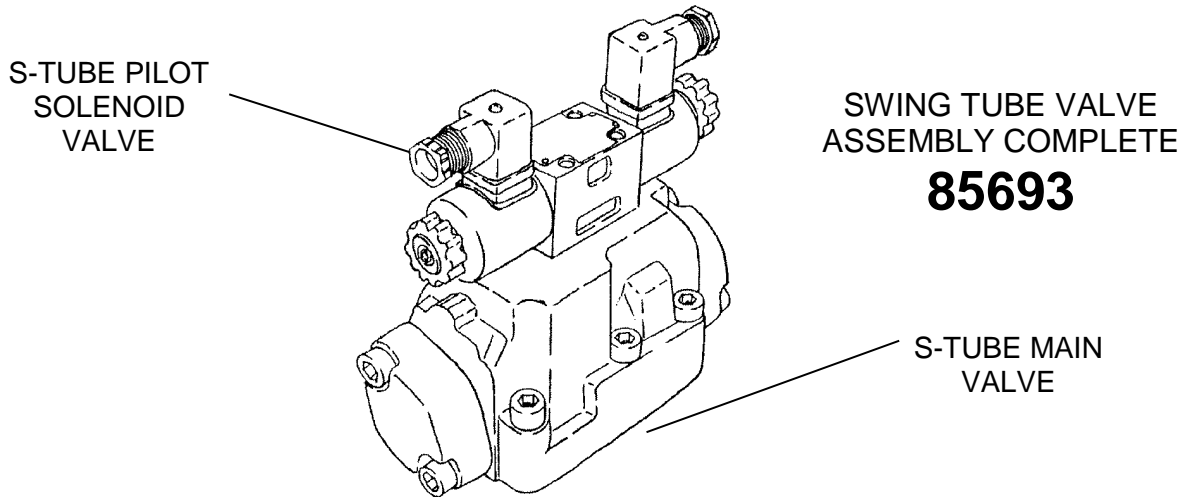


B20HPC-PLC-ELECTRIC

PARTS

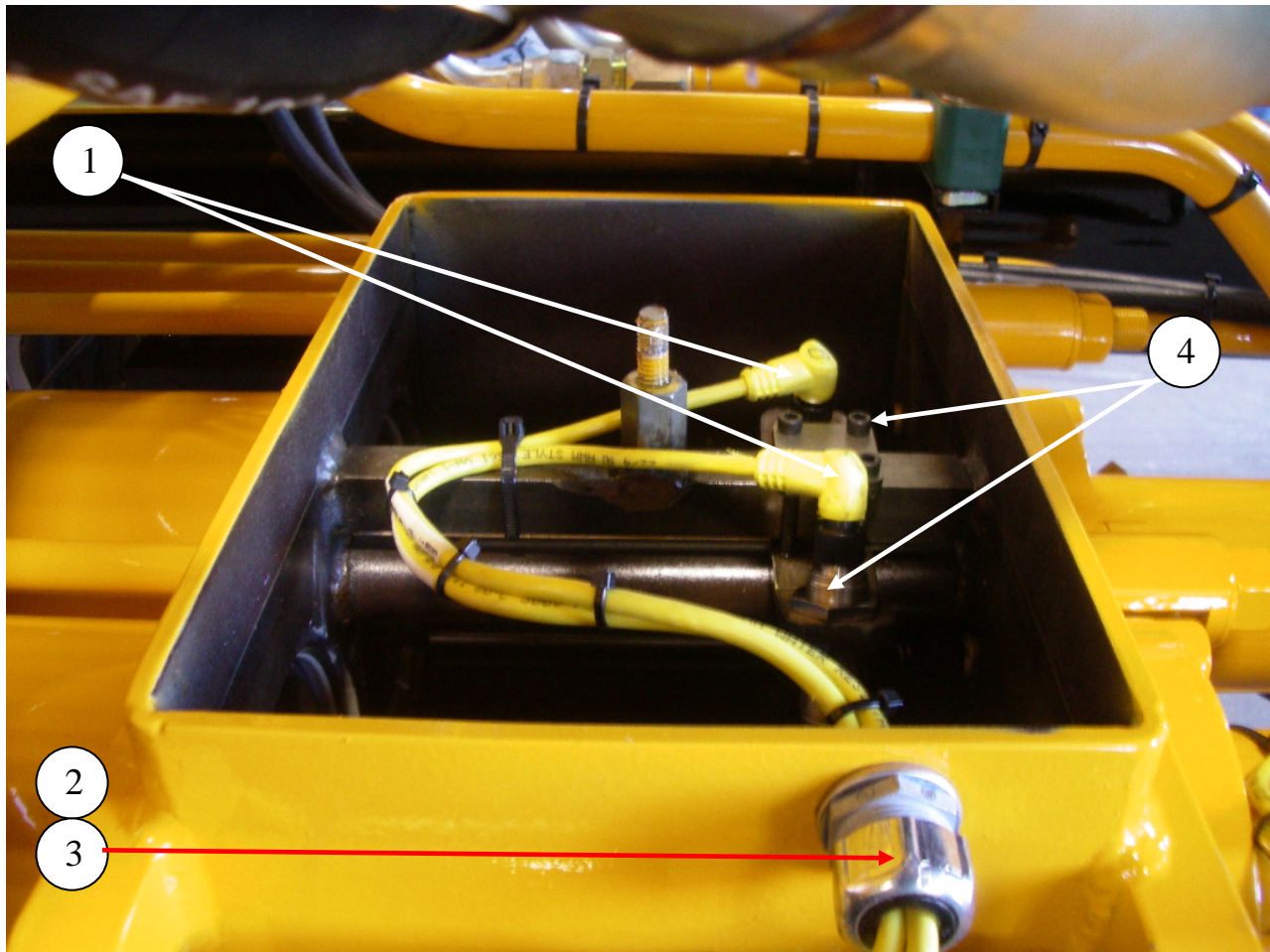
13822 Oaks Avenue
Chino, CA 91710
reedpumps.com
909-287-2100

S-TUBE CIRCUIT MANIFOLD ASSEMBLY CONT.





ELECTRICAL GROUP PROXIMITY SWITCHES



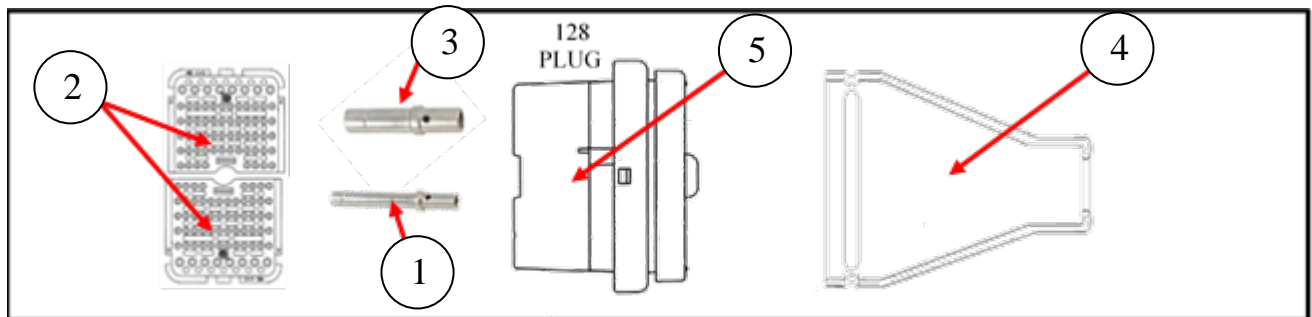
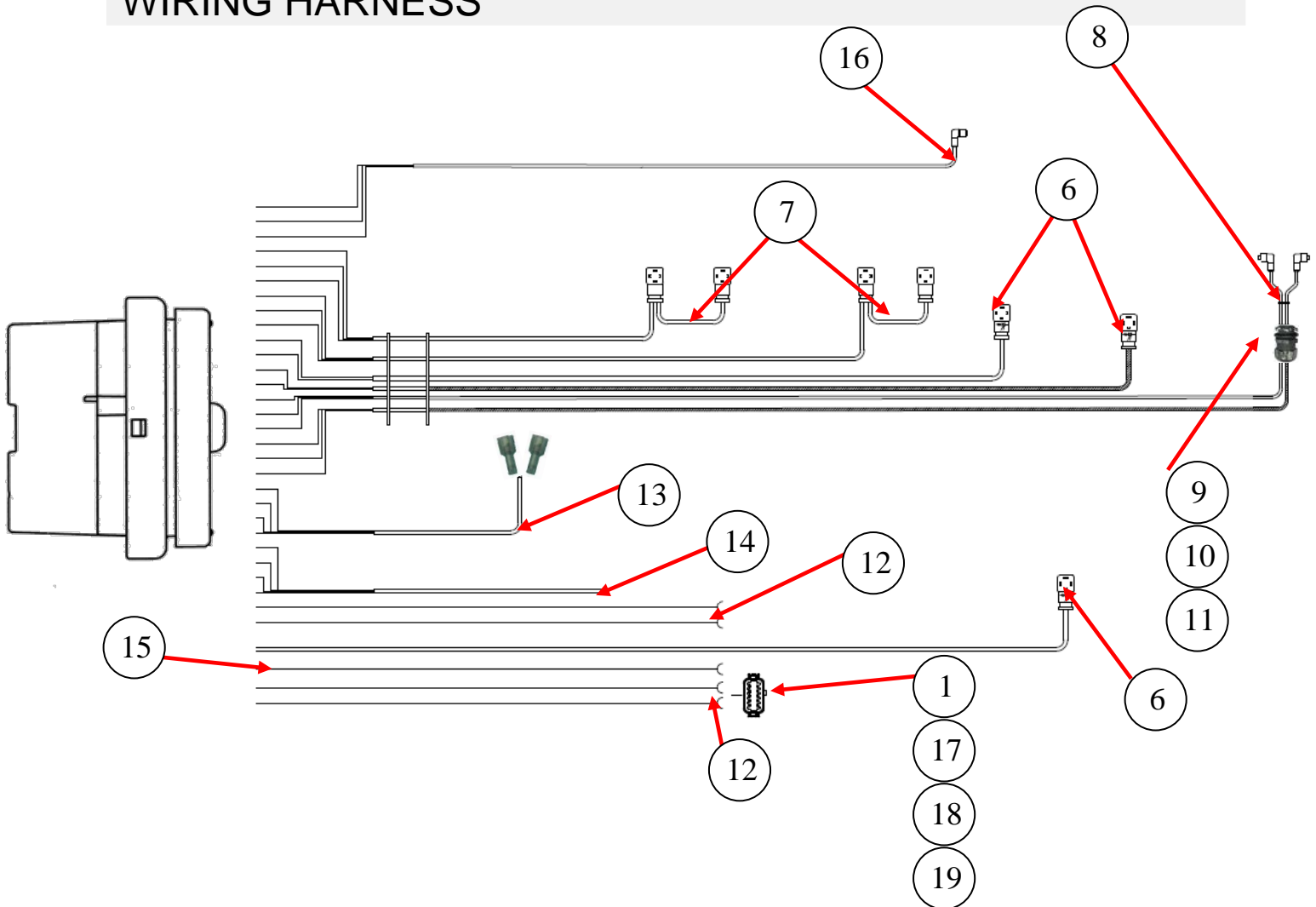
ID #	PART #	PART DESCRIPTION	QUANTITY	
1	77990	CABLE, PROXIMITY SWITCH	2	EA
2	10522	STRAIN RELIEF	1	EA
3	10528	NUT 1/2" BONDING TYPE LOCK	1	EA
4	77998	PROXIMITY SENSOR NPN	2	EA



B20HPC-PLC-ELECTRIC PARTS

13822 Oaks Avenue
Chino, CA 91710
reedpumps.com
909-287-2100

WIRING HARNESS



ENGINE HARNESS SIDE



B20HPC-PLC-ELECTRIC PARTS

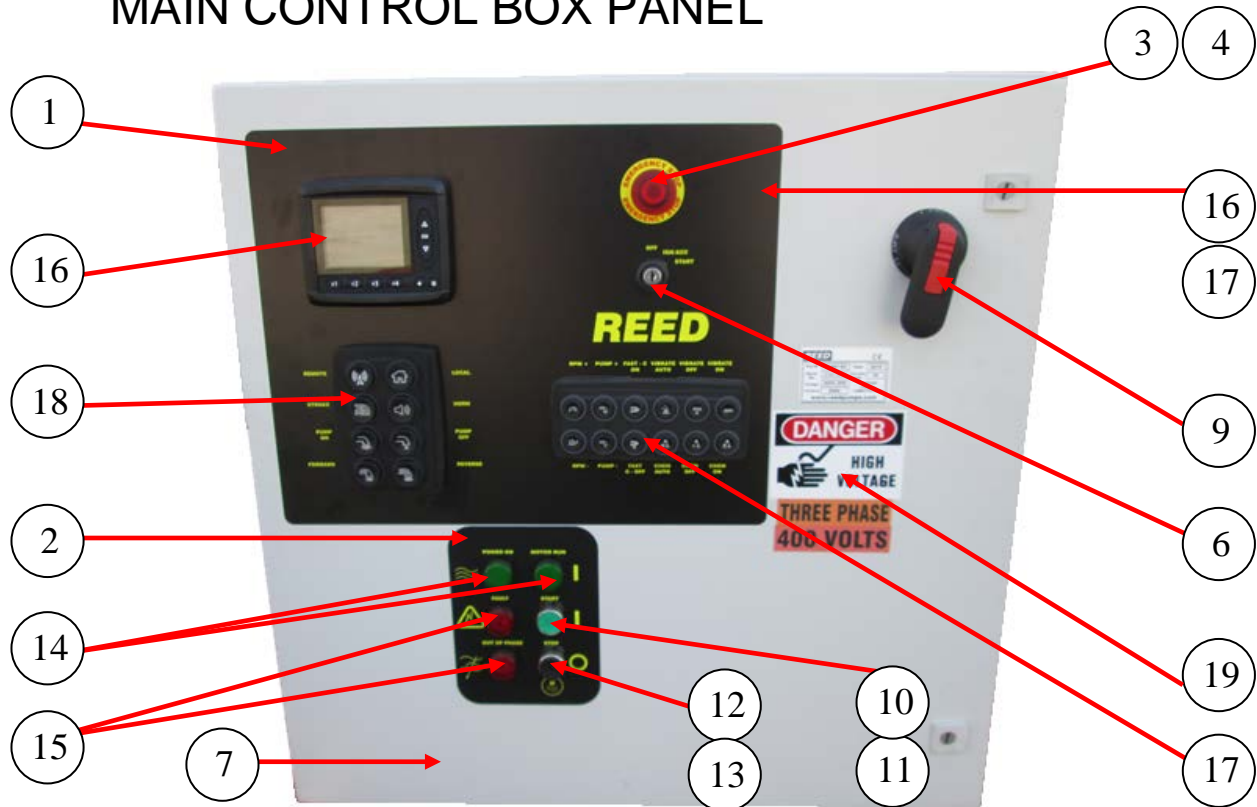
13822 Oaks Avenue
Chino, CA 91710
reedpumps.com
909-287-2100

WIRING HARNESS

ID #	PART #	PART DESCRIPTION	QUANTITY	
	89498	WIRING HARNESS B SER PLC, ELECTRIC	REF	
1	BW10147	CONTACT SOCKET SIZE 16	35	EA
2	89116	DEUTSCH WEDGE FOR 89109	2	EA
3	87457	PIN FOR 87456 PLUG	15	
4	89109-B	BOOT FOR 89109,89157	1	
5	89157	DEUTSCH RECEPTACLE 128 CONTACT	1	EA
6	87540	CABLE SOLENOID	3	EA
7	88243	CABLE WITH 2 DIN PLUGS 5M	2	EA
8	77990	CABLE, PROXIMITY SWITCH	3	EA
9	10522	STRAIN RELIEF	1	EA
10	10528	NUT 1/2" BONDING TYPE LOCK	1	FT
11	30240	GASKET-LIQUID 1/2"	1	FT
12	85615	CABLE, 14AWG-2C, PVC-GRY	6.5	EA
13	85617	CABLE, 14AWG-4C, PVC-GRY	8.1	FT
14	85619	CABLE, 16AWG-4C, PVC-GRY	9	EA
15	20169	CABLE, 18AWG-3C PVC BLACK	10	FT
16	88678	HOPPER GRATE CABLE (SHIELDED)	1	FT
17	89103	DEUTSCH DT04 BUS, 2X6	1	EA
18	89104	DEUTSH DT06 PLUG, 2X6	1	EA
19	89105	DEUTSH WEDGE FOR 89104	1	EA

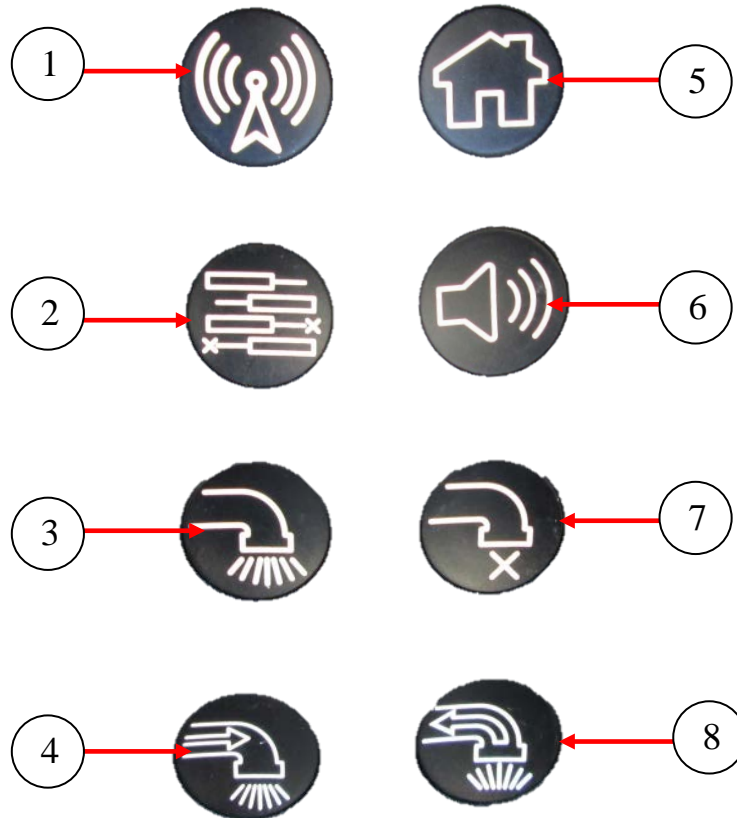
CONTROLS

MAIN CONTROL BOX PANEL



ID #	PART #	PART DESCRIPTION	QUANTITY	
	85997-65	CONTROL PANEL PLC. 50 HP 460V-/60HZ/3PH	REF	
1	89123	DECAL PLC CONTROL, ELECTRIC PUMPS	1	EA
2	89255	DECAL, START-STOP, ELECTRIC MOTOR	1	EA
3	89090	EMERGENCY STOPBUTTON HEAVY DUTY	1	EA
4	89090-L	ILLUMINATED E-STOP RING	1	EA
5	89090-C	DC/DC CONVERTER 12VDC TO 24VDC	1	EA
6	89004	KEY SWITCH SEALED	1	EA
7	85997-60B	BOX MACHINING WITH PLC	1	EA
8	88045	PANEL FOR 88044 ENCLOSURE	1	EA
9	88047	HANDLE FOR 88046 CIRCUIT BREAKERS	1	EA
10	88060	PUSHBUTTON GREEN	1	EA
11	88062	CONTACT BLOCK N.O. FOR 88060	1	EA
12	88061	PUSHBUTTON BLACK	1	EA
13	88063	CONTACT BLOCK N.C. FOR 88062	1	EA
14	88148	LIGHT GREEN 120VAC 22M	2	EA
15	88149	LIGHT RED 120VAC 22M	2	EA
16	88918	MD3, PARKER DISPLAY MODULE	1	EA
17	88978	KEYPAD 2X6 SWITCH, PROGRAMMABLE	1	EA
18	88979	KEYPAD 2X4 SWITCH, PROGRAMMABLE	1	EA
19	74306	DECAL, HIGH VOLTAGE	1	EA

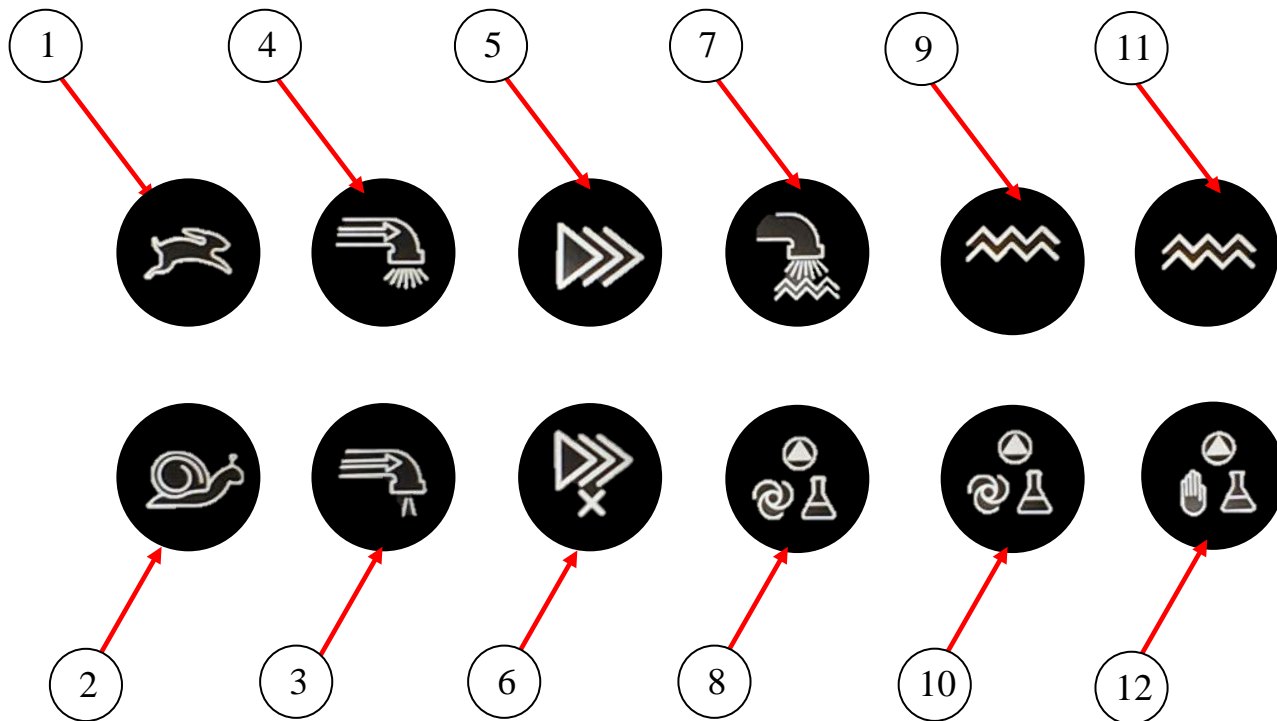
KEY PAD SWITCHES INSERT KIT



ID #	PART #	PART DESCRIPTION	QUANTITY	
	89412-BC	INSERT KIT FOR PLC SWITCH FUNCTIONS	REF	
1	89412-2L	INSERT, REMOTE ICON (CLEAR)	1	EA
2	89412-4L	INSERT, PRESSURE A/B ICON (CLEAR)	1	EA
3	89412-5L	INSERT, PUMP ON ICON (CLEAR)	1	EA
4	89412-7L	INSERT, PUMP FORWARD ICON (CLEAR)	1	EA
5	89412-1L	INSERT, PUMP LOCAL ICON (CLEAR)	1	EA
6	89412-3L	INSERT, HORN ICON (CLEAR)	1	EA
7	89412-6L	INSERT, PUMP OFF ICON (CLEAR)	1	EA
8	89412-8L	INSERT, PUMP REVERSE ICON (CLEAR)	1	EA



KEY PAD SWITCHES INSERT KIT CONT.



ID #	PART #	PART DESCRIPTION	QUANTITY	
1	89412-9S	INSERT, THROTTLE GAIN ICON (CLEAR)	1	EA
2	89412-10S	INSERT, TROTTLE DROP ICON (CLEAR)	1	EA
3	89412-12S	INSERT, PUMP VOLUME (-) (CLEAR)	1	EA
4	89412-11S	INSERT, PUMP VOLUME (+) (CLEAR)	1	EA
5	89412-13S	INSERT, FASTCHANGE ON ICON (CLEAR)	1	EA
6	89412-14S	INSERT, FASCHANGE OFF ICON (CLEAR)	1	EA
7	89412-15S	INSERT, VIBRATOR AUTO ICON (CLEAR)	1	EA
8	89412-16S	INSERT, CEM AUTO ICON (CLEAR)	1	EA
9	89412-17S	INSERT, VIBRATOR OFF ICON (CLEAR)	1	EA
10	89412-18S	INSERT, CEM OFF ICON (CLEAR)	1	EA
11	89412-19S	INSERT, VIBRATOR ON ICOM (CLEAR)	1	EA
12	89412-20S	INSERT, CEM ON ICOM (CLEAR)	1	EA



B20HPC-PLC-ELECTRIC PARTS

13822 Oaks Avenue
Chino, CA 91710
reedpumps.com
909-287-2100

12VDC-35 AMP POWER SUPPLY (OPTION 1)



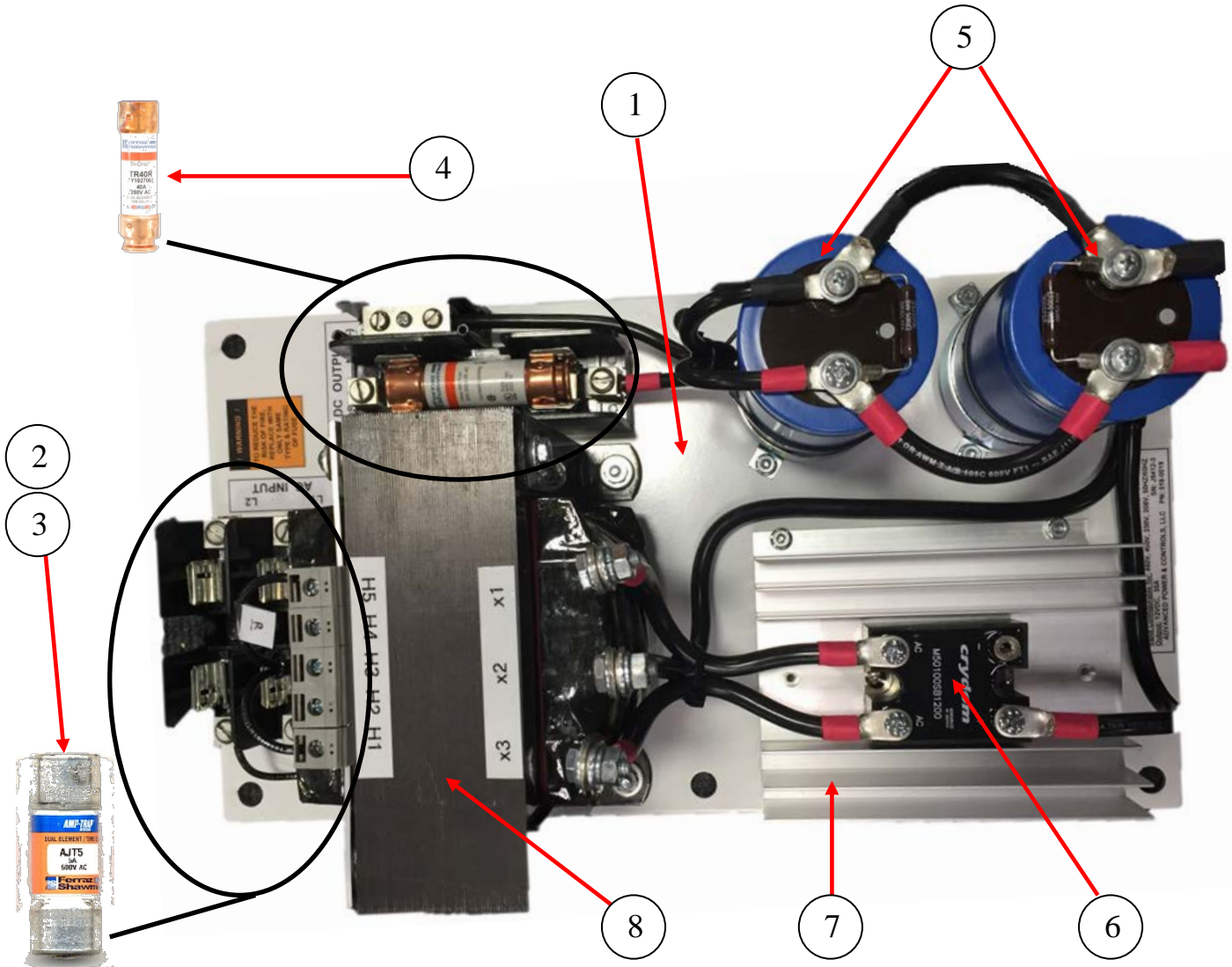
ID #	PART #	PART DESCRIPTION	QUANTITY	
1	88059-2	POWER SUPPLY 12VDC 35 AMP (ACOPIAN) (PS1)	1	EA
2	88176	CIRCUIT 8 AMP (120VAC INPUT) (CB2)	1	EA
3	88058-1	CIRCUIT BREAKER, 40AMP, (12VDC OUTPUT) (CB5)	1	EA
4	88244	TRANSFORMER 750VA (460VAC-120VAC) (T2)	1	EA



B20HPC-PLC-ELECTRIC PARTS

13822 Oaks Avenue
Chino, CA 91710
reedpumps.com
909-287-2100

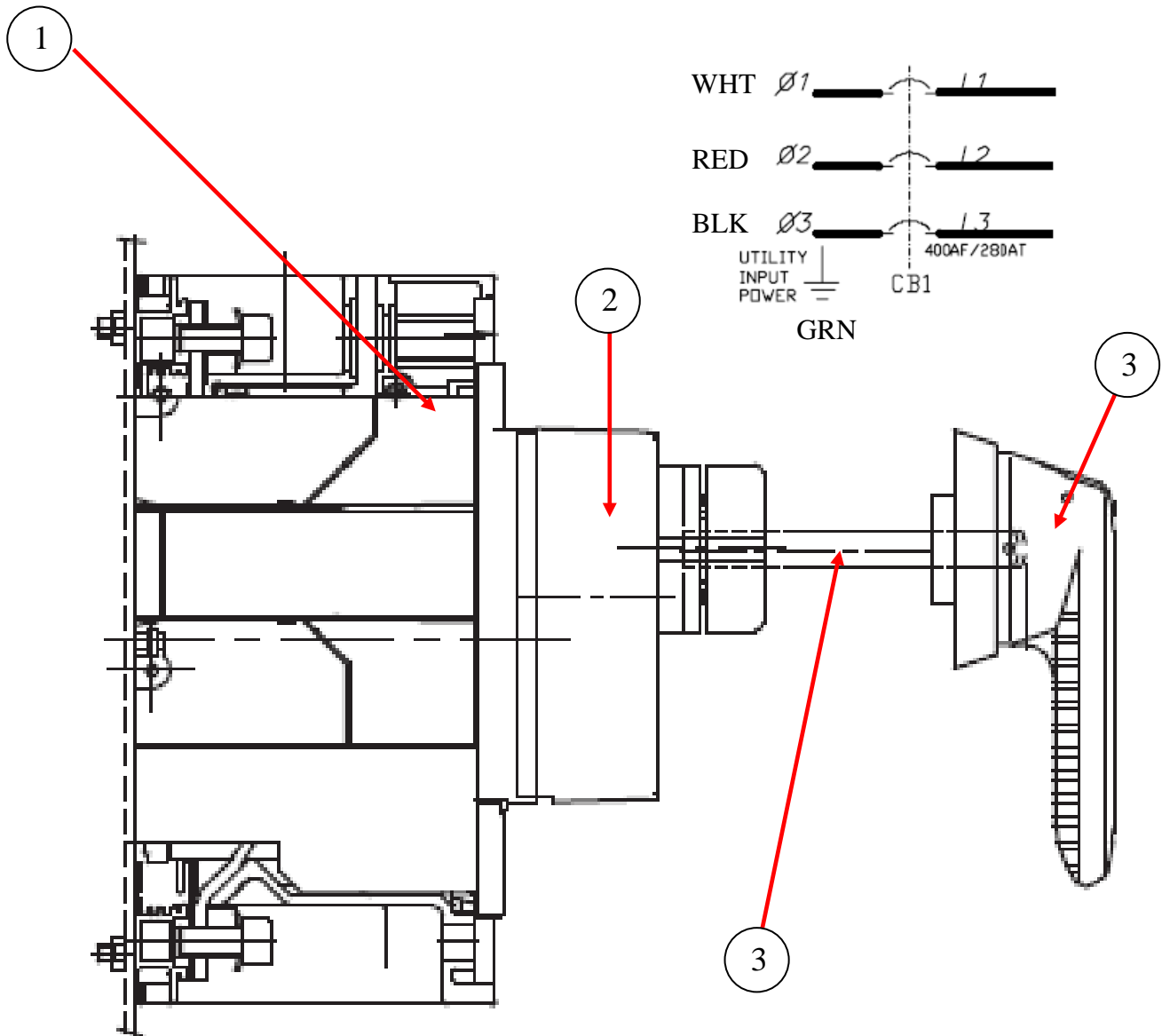
12VDC-35 AMP POWER SUPPLY (OPTION 2)



ID #	PART #	PART DESCRIPTION	QUANTITY	
1	89018	POWER SUPPLY 12VDC 35 AMP (ADVANCE POWER)	1	EA
2	89018-4	Fuse, 4 AMP, FOR 89018 @ 440V~460V	2	EA
3	89018-5	Fuse, 5 AMP, FOR 89018 @ 380V~415V	2	EA
4	89018-40	Fuse, 40AMP, FOR 89018 @ 380V~415V	1	EA
5	89018-CAP	Capacitor 82000MFD 40V	1	EA
6	89018-REC	Rectifier Current 100 amp 480 VAC	1	EA
7	89018-HS	Heat Sink For 89018-REC	1	EA
8	89018-T	Transformer	1	EA



MOTOR CIRCUIT BREAKER



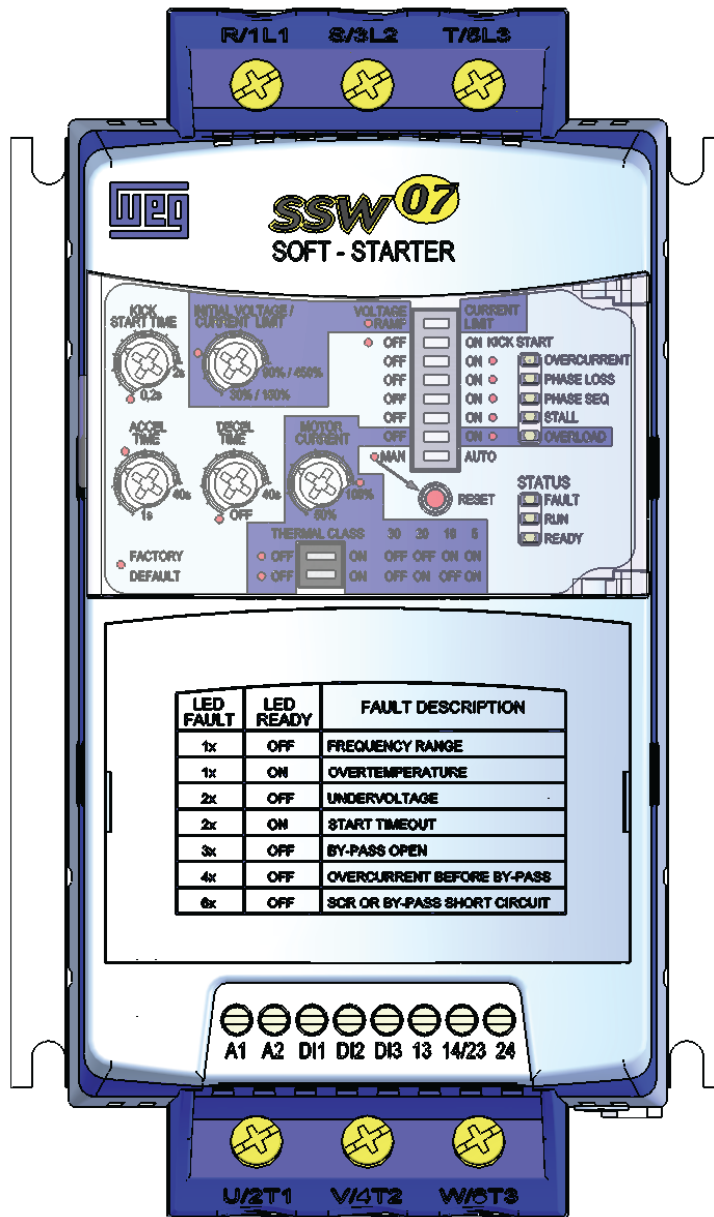
ID #	PART #	PART DESCRIPTION	QUANTITY	
1	88098	CIRCUIT BREAKER 100 AMP 3 POLE LS/IU (CB1)	1	EA
2	88048	MECHANISM FOR CIRCUIT BREAKER	1	EA
3	88049	SHAFT FOR 88047 HANDLE	1	EA
4	88047	HANDLE CIRCUIT BREAKER	1	EA



B20HPC-PLC-ELECTRIC PARTS

13822 Oaks Avenue
Chino, CA 91710
reedpumps.com
909-287-2100

SOFT START



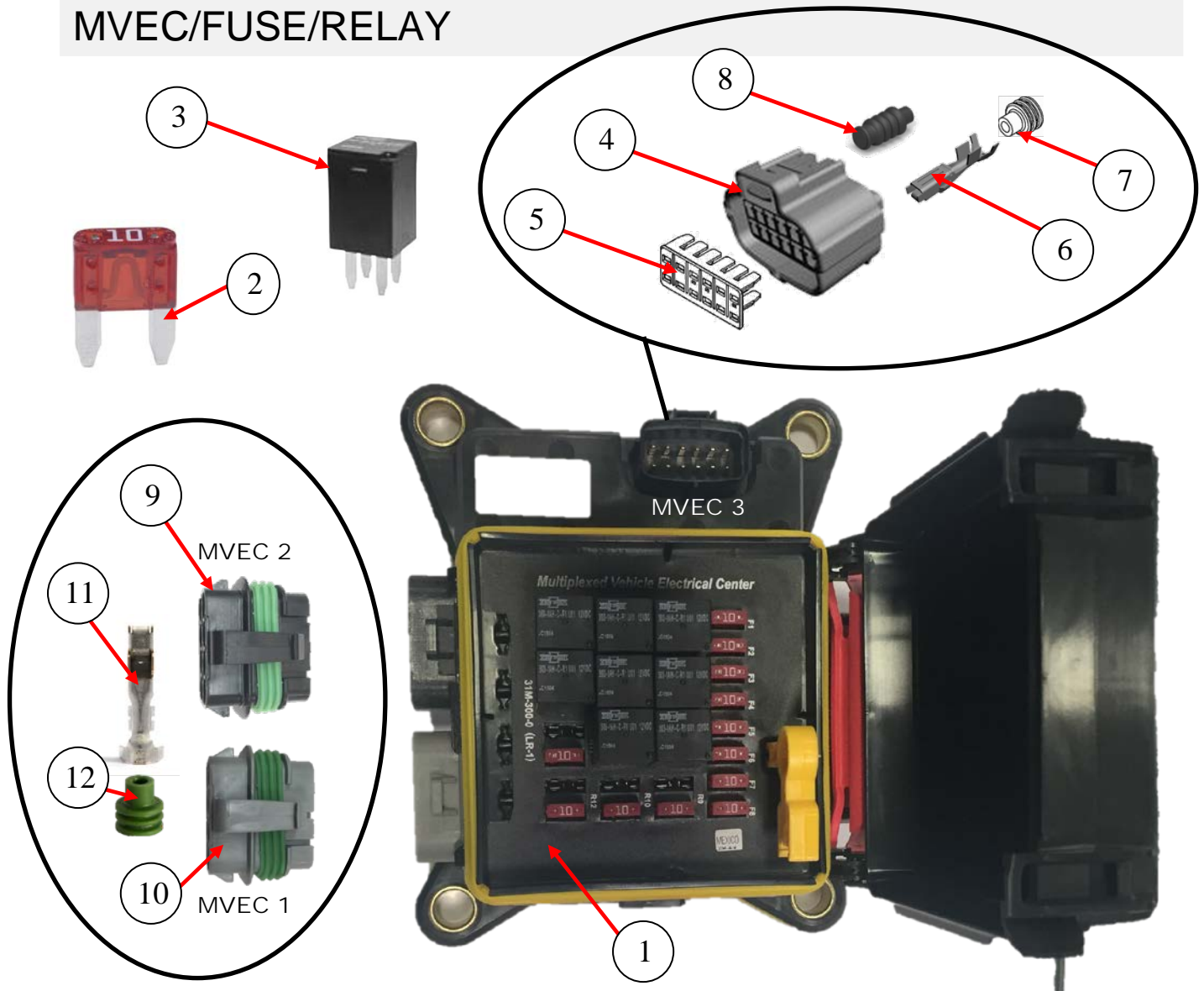
ID #	PART #	PART DESCRIPTION	QUANTITY	
1	88437-1	SOFT START (SS1)	1	EA



B20HPC-PLC-ELECTRIC PARTS

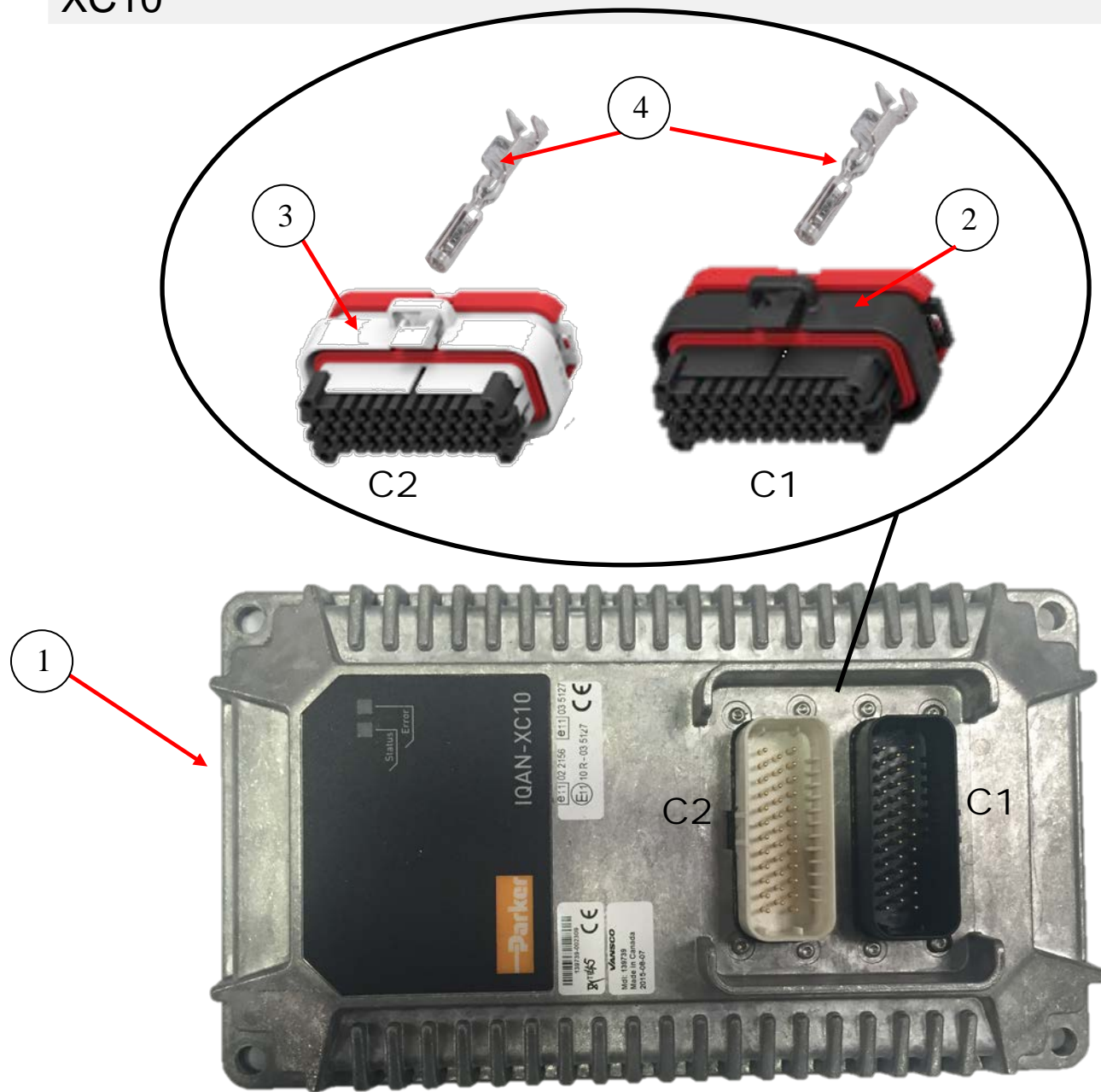
13822 Oaks Avenue
Chino, CA 91710
reedpumps.com
909-287-2100

MVEC/FUSE/RELAY



ID #	PART #	PART DESCRIPTION	QUANTITY	
1	88980	MVEC, 12 RELAY, BUSSMAN	1	EA
2	88953	AUTOMOTIVE MINITURE BLADE FUSE 10AMP	12	EA
3	89128	MVEC, RELAY,12V	8	EA
4	89112	AMP, PLUG 2X6, (MVEC 3)	1	EA
5	89112-1	AMP, WEDGE, 89112 (MVEC 3)	1	EA
6	89112-2	AMP, FEMALE, PIN, TERMINAL (MVEC 3)	5	EA
7	89112-3	AMP, WIRE SEAL, ORANGE (MVEC 3)	5	EA
8	89112-4	AMP, CAVITY PLUG (MVEC 3)	7	EA
9	89110	METRIPACK PLUG,2X4 (MVEC 2-BLK)	1	EA
10	89111	METRIPACK PLUG, 2X4 (MVEC 1-GRY)	1	EA
11	88960	TERMINAL PINS FEMALE AUTOMOTIVE	12	EA
12	89110-6	AMP, WIRE SEAL, (MVEC1-2, GREEN)	12	EA
13	89110-1	AMP, CAVITY PLUG, GREEN (MVEC 1)	4	EA

XC10



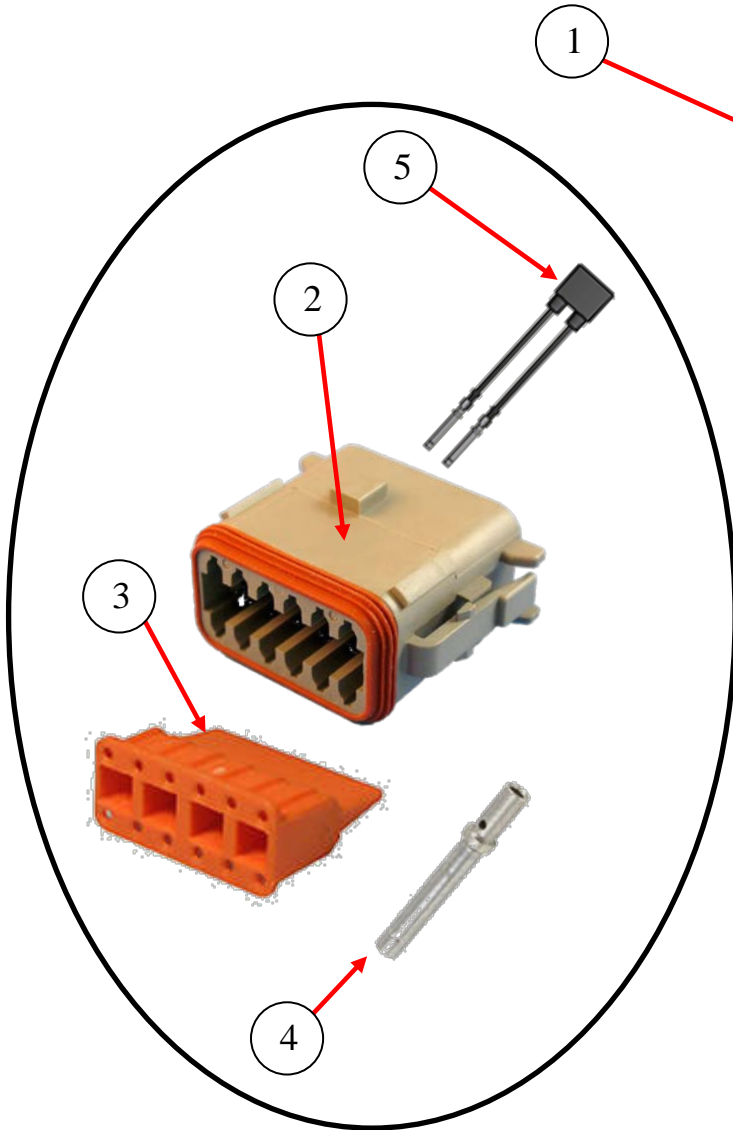
ID #	PART #	PART DESCRIPTION	QUANTITY	
1	88919	XC10, PARKER EXPANTION MODULE	1	EA
2	88945	AMP, 35 POS SEAL PLUG, BLACK (C1)	1	EA
3	88946	AMP, 35 POS SEAL PLUG, WHITE (C2)	1	EA
4	88945-S	AMP, CONTACT PIN (C1,C2)	38	EA

MD3 DISPLAY MODULE

FRONT

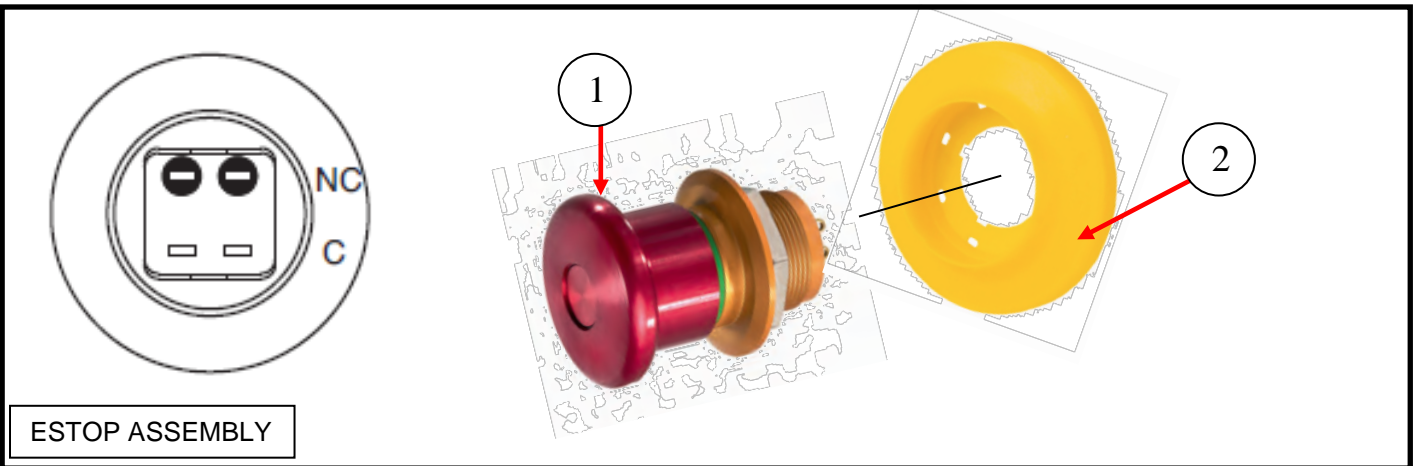


BACK

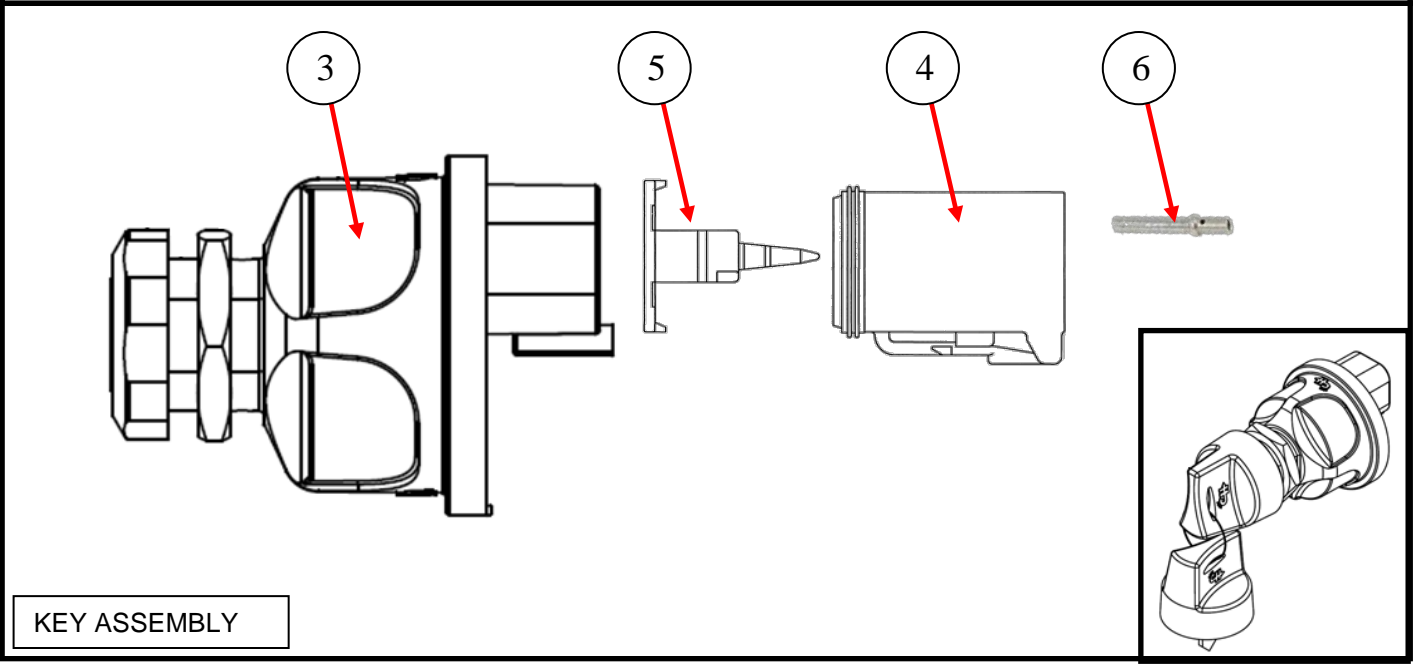


ID #	PART #	PART DESCRIPTION	QUANTITY	
1	88918	MD3,PARKER DISPLAY	1	EA
2	88653	PLUG DTM 12 WAY A KEY, GREY (C1)	1	EA
3	88653-2	WEDGELOCK DTM 12 WAY PLUG (C1)	1	EA
4	88959	CONTACT SOCKET SIZE 20 (7.5 AMP) (C1)	9	EA
5	89136	ADDRESS 3 IDTAG WITH DEUTSCH TERMINALS (1K OHM)	1	EA

ESTOP, KEY ASSEMBLY, PLUGS



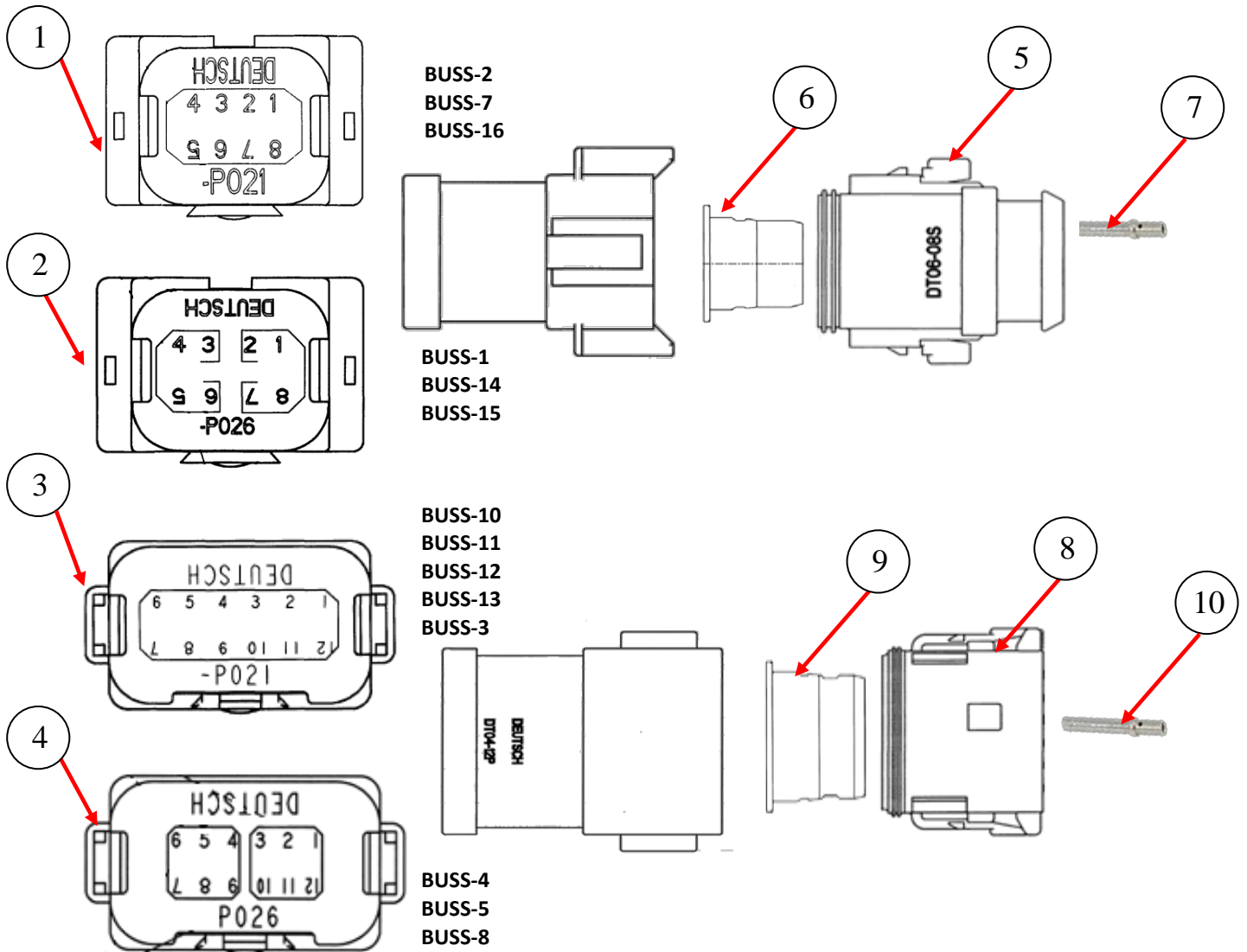
ESTOP ASSEMBLY



KEY ASSEMBLY

ID #	PART #	PART DESCRIPTION	QUANTITY	
1	89090	EMERGENCY STOP BUTTON HEAVY DUTY	1	REF
2	89090-L	ILLUMINATED E-STOP RING	1	REF
3	89004	KEY SWITCH SEALED	1	REF
4	89107	DEUSCH DT06, 1X6	1	QTY
5	89108	DEUSCH WEDGE LOCK FOR 89107	1	QTY
6	BW10147	DEUSCH CONTACT SOCKET, 16AWG	6	QTY

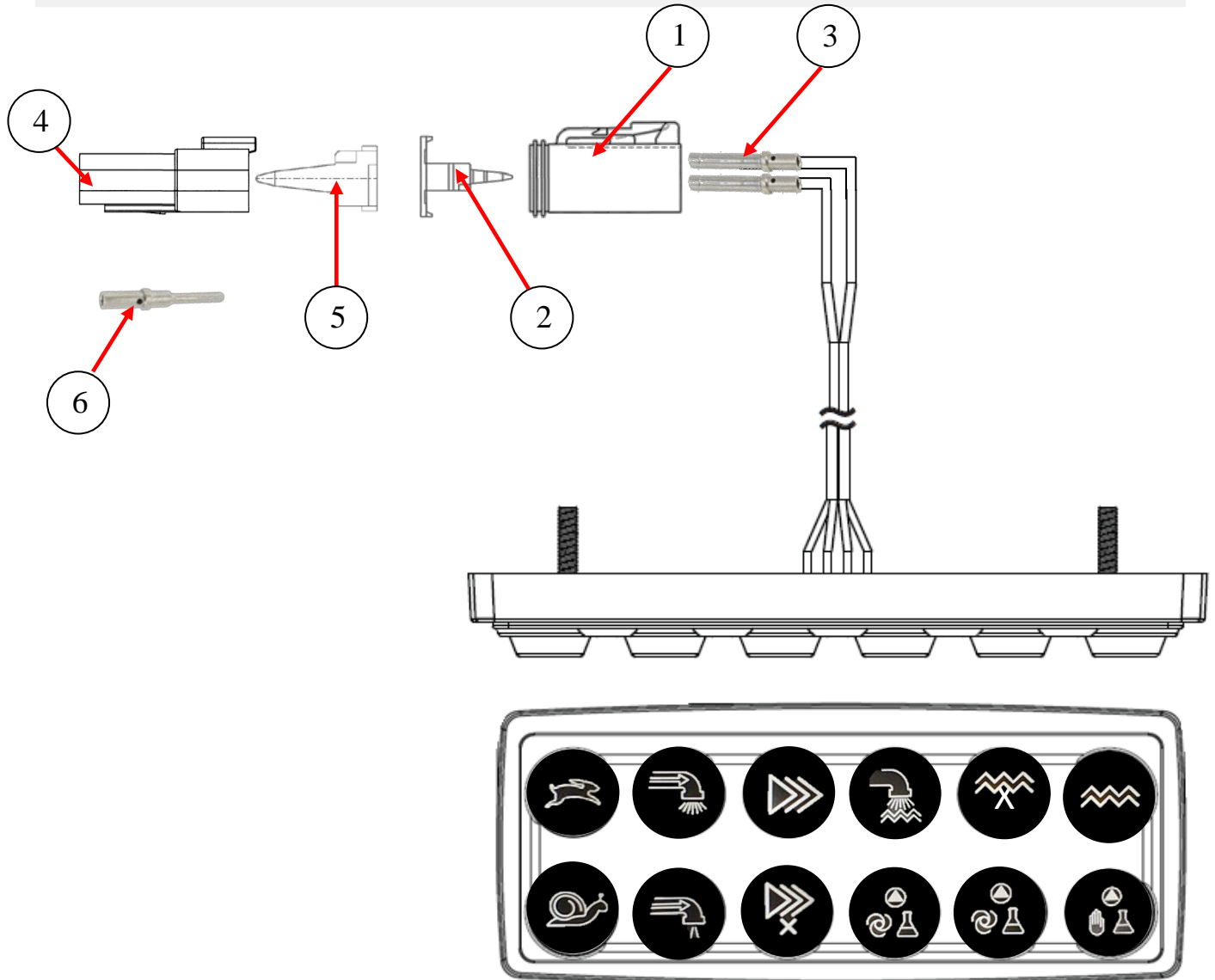
BUSSES, CONNECTORS, PINS



ID #	PART #	PART DESCRIPTION	QUANTITY	
1	89180	DEUTSCH DT04 BUS, 1X8 (SOLID)	3	EA
2	89181	DEUTSCH DT04 BUS, 2X4 (SPLIT)	3	EA
3	89106	DEUTSCH DT04 BUS, 1X12 (SOLID)	5	EA
4	89103	DEUTSCH DT04 BUS, 2X6 (SPLIT)	3	EA
5	89179	DEUTSCH DT06 PLUG, 2X4	5	EA
6	88542-1	WEDGE LOCK FOR 88542	5	EA
7	BW10147	CONTACT SOCKET PIN, SIZE16, 13 AMP		EA
8	89104	DEUTSCH DT06 PLUG, 2X6	3	EA
9	89105	WEDGE LOCK FOR 89104	8	EA
10	BW10147	CONTACT SOCKET PIN, SIZE16, 13 AMP		EA



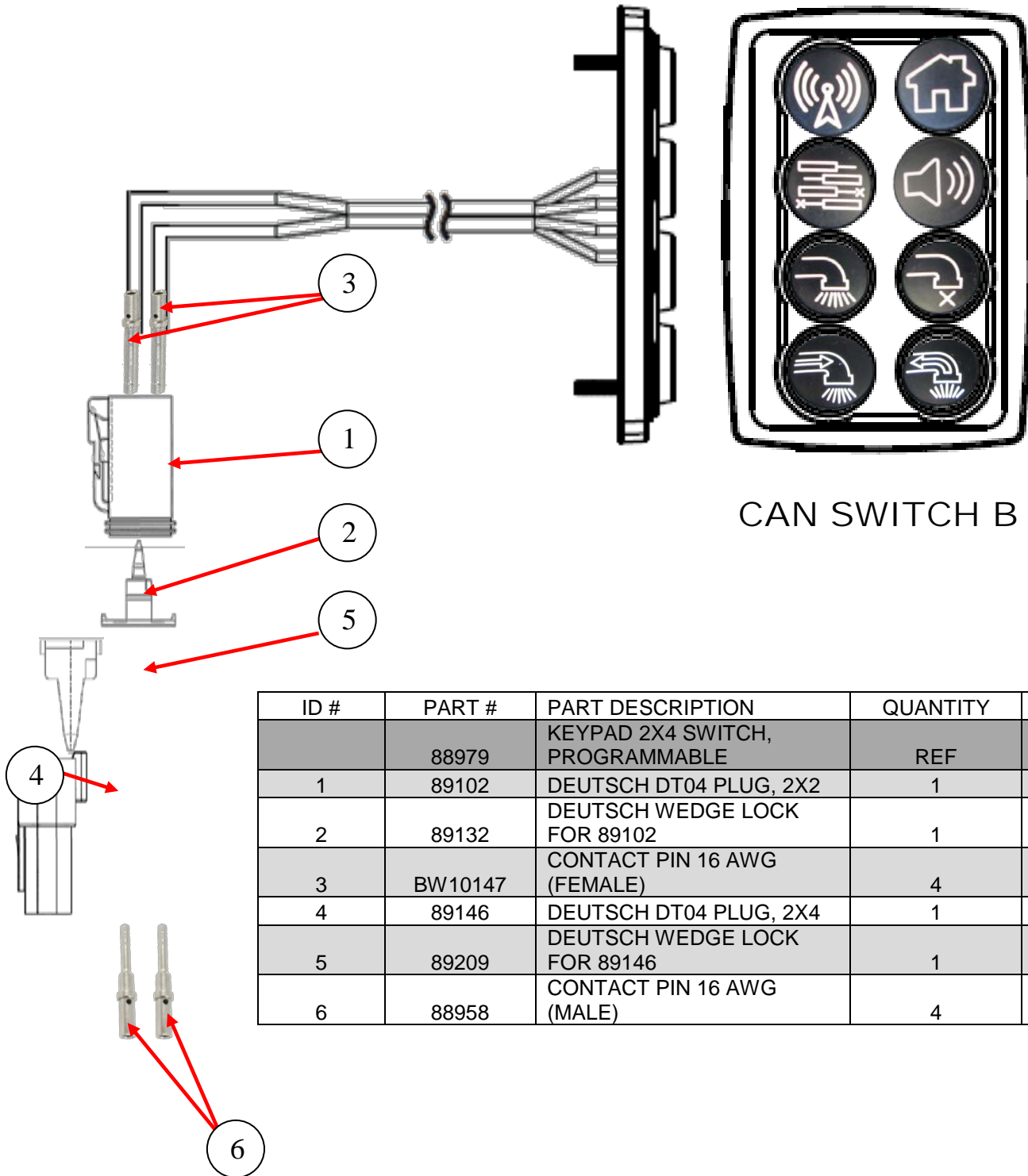
CAN PUSH BUTTON SWITCHES PLUGS



CAN SWITCH A

ID #	PART #	PART DESCRIPTION	QUANTITY	
	88978	KEYPAD 2X6 SWITCH, PROGRAMMABLE	REF	
1	89102	DEUTSCH DT04 PLUG, 2X2	1	EA
2	89132	DEUTSCH WEDGE LOCK FOR 89102	1	EA
3	BW10147	CONTACT PIN 16 AWG (FEMALE)	4	EA
4	89146	DEUTSCH DT04 PLUG, 2X4	1	EA
5	89209	DEUTSCH WEDGE LOCK FOR 89146	1	EA
6	88958	CONTACT PIN 16 AWG (MALE)	4	EA

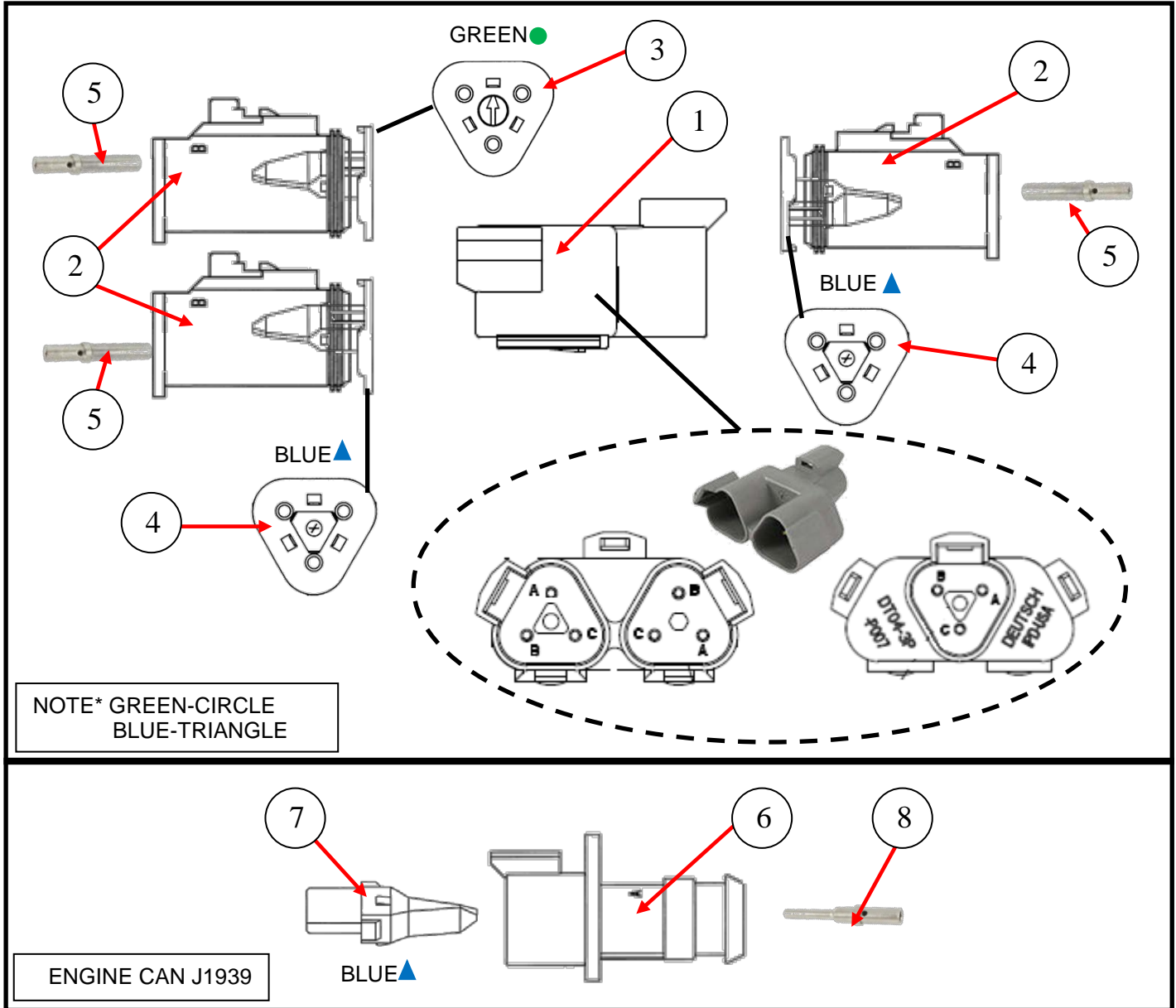
CAN PUSH BUTTON SWITCH PLUGS



CAN SWITCH B

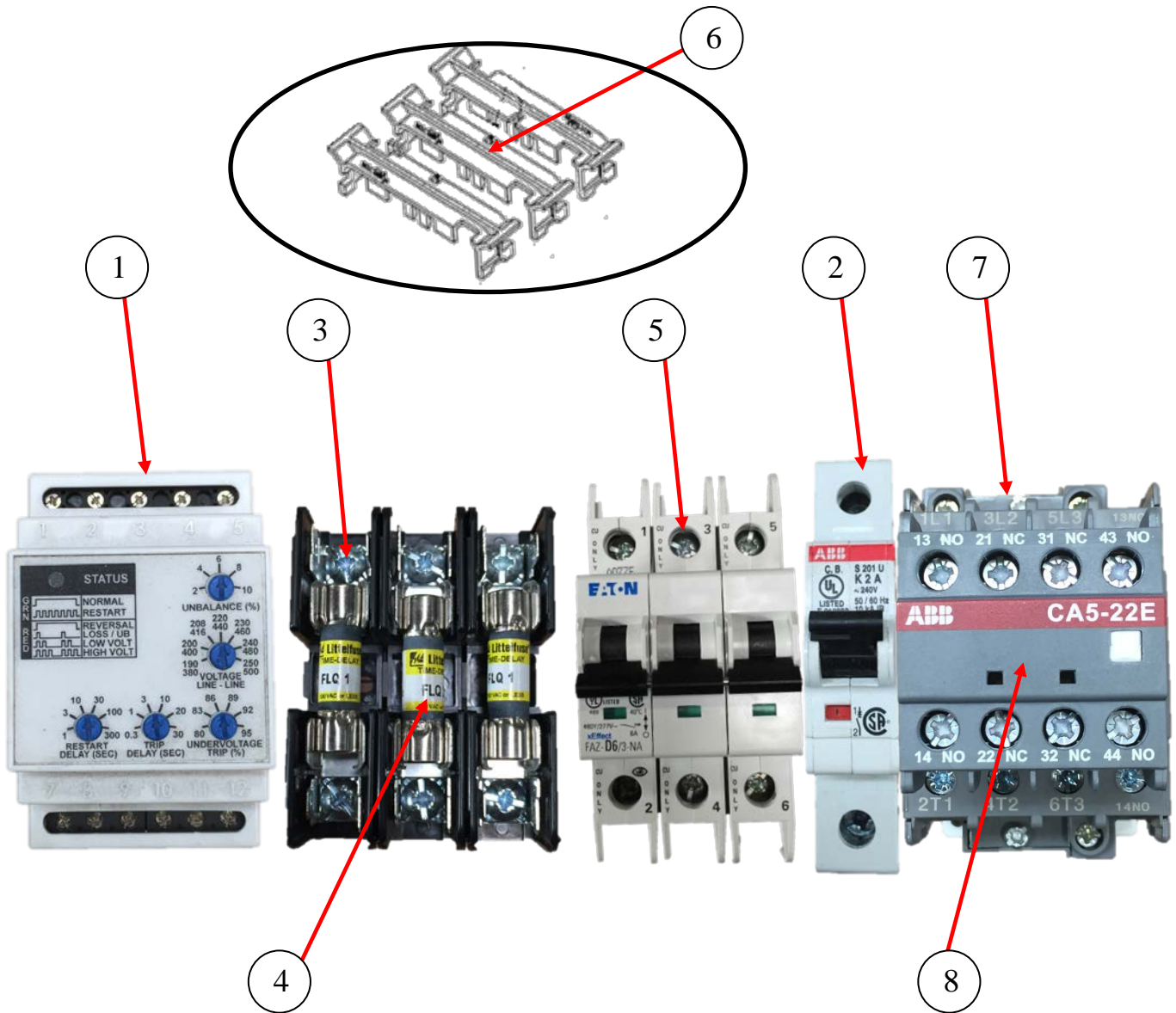
ID #	PART #	PART DESCRIPTION	QUANTITY	
	88979	KEYPAD 2X4 SWITCH, PROGRAMMABLE	REF	
1	89102	DEUTSCH DT04 PLUG, 2X2	1	EA
2	89132	DEUTSCH WEDGE LOCK FOR 89102	1	EA
3	BW10147	CONTACT PIN 16 AWG (FEMALE)	4	EA
4	89146	DEUTSCH DT04 PLUG, 2X4	1	EA
5	89209	DEUTSCH WEDGE LOCK FOR 89146	1	
6	88958	CONTACT PIN 16 AWG (MALE)	4	EA

CAN PLUGS, CONNECTORS



ID #	PART #	PART DESCRIPTION	QUANTITY	
1	88934	3 WAY T RECEPTICAL, DT SER.	1	EA
2	88935	3 WAY PLUG DT SER.	3	EA
3	88936	WEDGE LOCK FOR 3 WAY PLUG (GREEN)	2	EA
4	88937	WEDGE LOCK FOR 3 WAY PLUG (BLUE)	1	EA
5	BW10147	CONTACT SOCKETS, 16 AWG (FEMALE)	9	EA
6	88932	3 WAY RECEPTACLES, FLANGE MOUNT-LE08 MOD.	1	EA
7	88938	KEYED WEDGE LOCK FOR 3 WAY RECPT. DT SERIES	1	EA
8	88958	CONTACT PIN, 16 AWG (MALE)	3	EA

FUSES, CONTACTOR, PHASE MONITOR



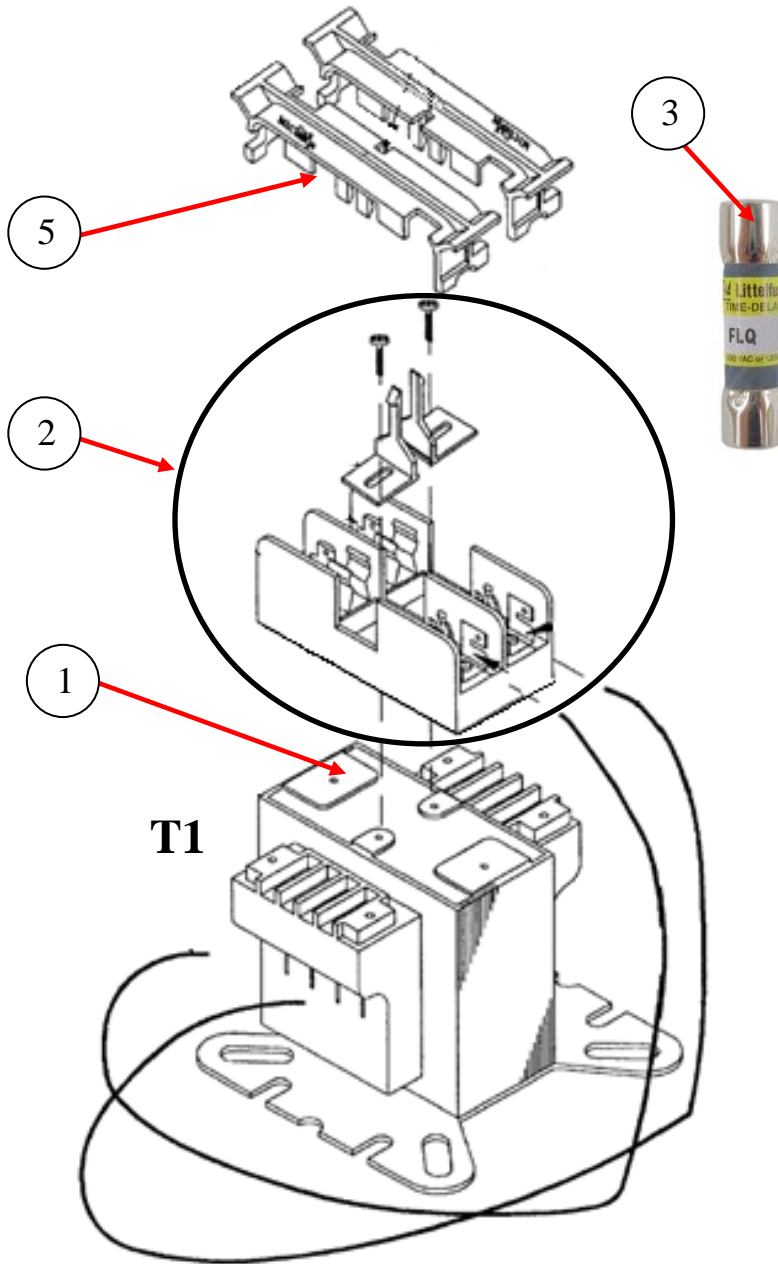
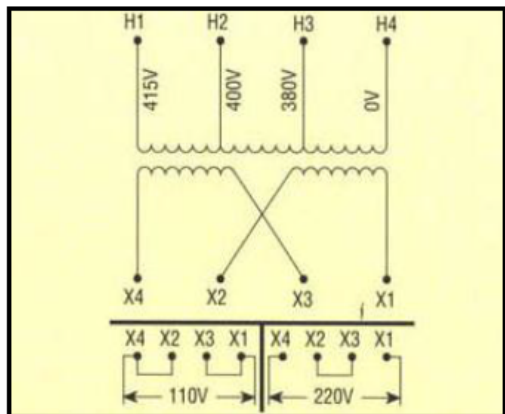
ID #	PART #	PART DESCRIPTION	QUANTITY	
1	88066	PHASE MONITOR 480 V (A1)	1	EA
2	88055	CIRCUIT BREAKER 2AMP (CB3)	1	EA
3	88053	FUSE BLOCK	1	EA
4	88054-1	FUSE 1 AMP (FU7,FU8,FU9)	3	EA
5	88665	CIRCUIT BREAKER 3 POLE (ONLY FOR CEM PUMP)	REF	
6	88053-COVER	COVER FOR FUSE BLOCK KIT	3	EA
7	88067	CONTACTOR-CONTROL, 3 POL N/O	1	EA
8	89288	N/C CONTACT BLOCK (K1.1)		

TRANSFORMER

NOTE: MICRON TRANSFORMER

FUSE KIT #FKTP-1001

COVER KIT #TPTC-2006



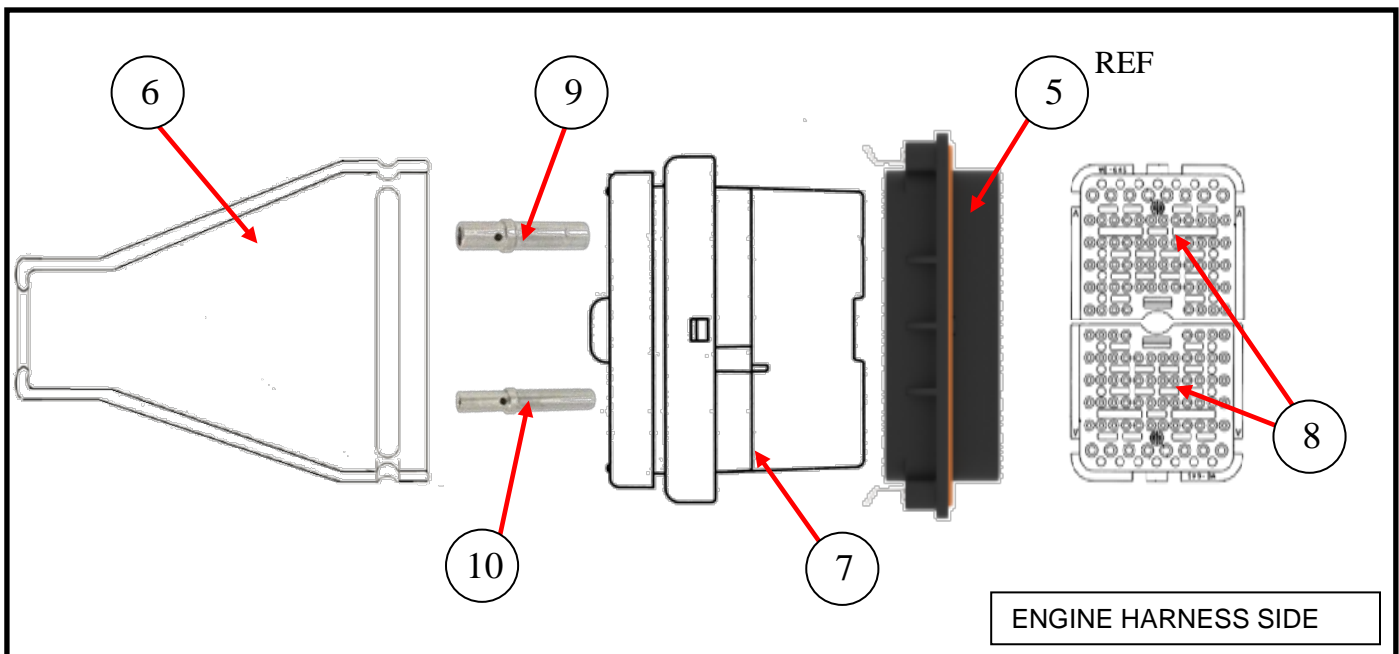
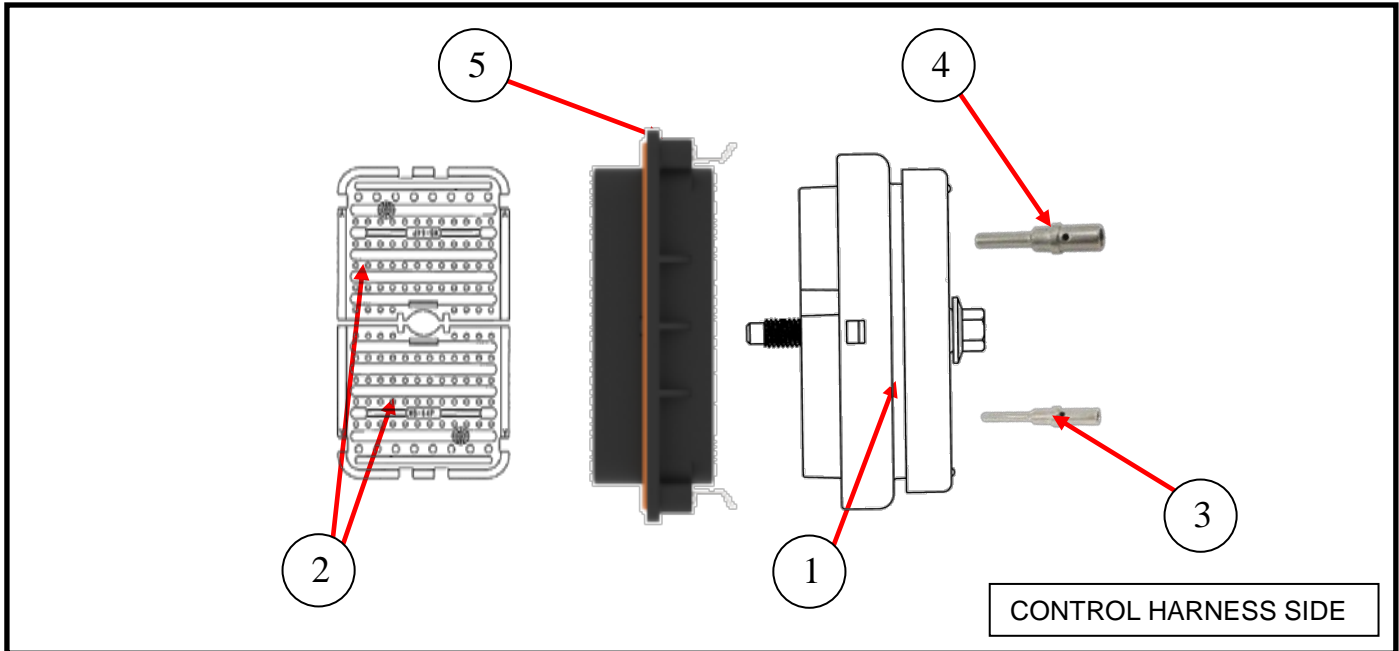
ID #	PART #	PART DESCRIPTION	QUANTITY	
1	88076	TRANSFORMER 250 KVA (460V/120V) (T1)	1	EA
2	88053	FUSE BLOCK KIT	1	EA
3	88054	FUZE 2 AMP	2	EA
4	88177-C	COVER KIT FOR TRANSFORMER	1	EA
5	88053-COVER	COVERKIT FOR 88053	1	EA



B20HPC-PLC-ELECTRIC PARTS

13822 Oaks Avenue
Chino, CA 91710
reedpumps.com
909-287-2100

DEUTSCH 128 PLUG ASSEMBLY

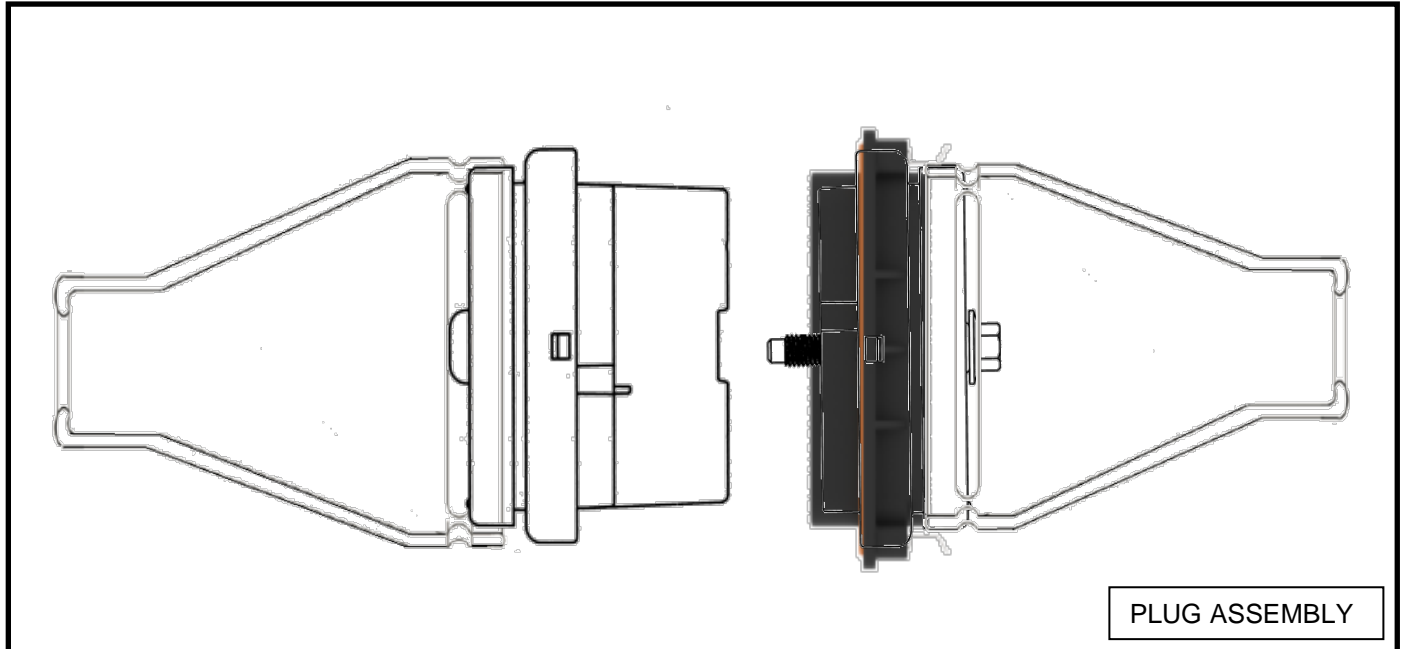




B20HPC-PLC-ELECTRIC PARTS

13822 Oaks Avenue
Chino, CA 91710
reedpumps.com
909-287-2100

DEUTSCH 128 PLUG ASSEMBLY CONT.



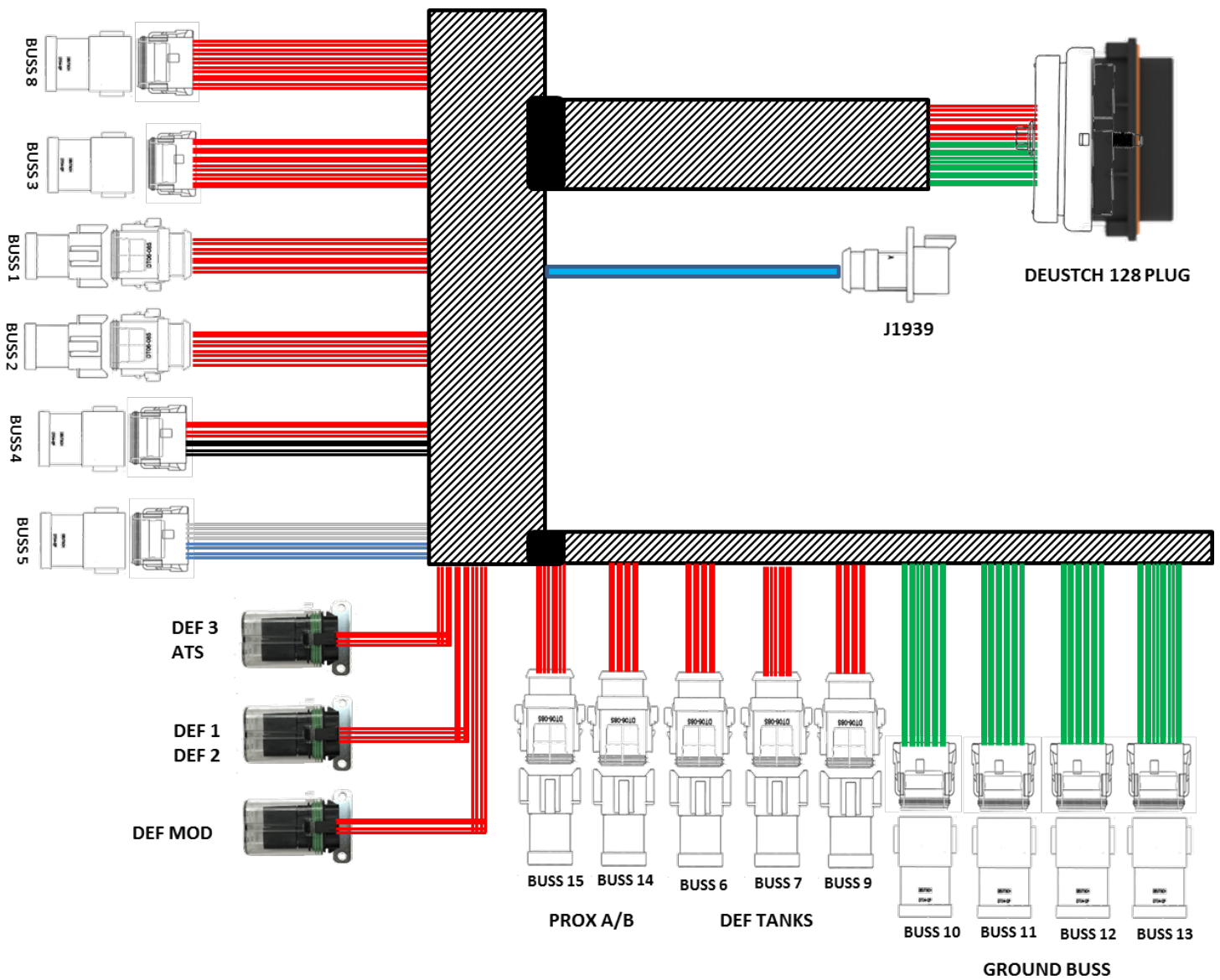
ID #	PART #	PART DESCRIPTION	QUANTITY	
1	89109	DEUTSCH RECEPTACLE 128 CONTACT, PIN	1	EA
2	89159	DEUTSCH WEDGE LOCK FOR 89157	2	EA
3	88958	CONTACT PIN SIZE 16 AWG, (MALE)	72	EA
4	87807	CONTACT PIN SIZE 12 AWG, (MALE)	16	EA
5	89158	DEUTSCH RECEPTACLE, FLANGE	1	EA
6	89109-B	DEUTSCH, BOOT COVER	1	EA
7	89157	DEUTSCH RECEPTACLE 128 CONTACT, SOCKET	1	EA
8	89116	DEUTSCH WEDGE LOCK FOR 89157	1	EA
9	87457	CONTACT SOCKET, SIZE 12 AWG, (FEMALE)	1	EA
10	BW10147	CONTACT SOCKET, SIZE 16 AWG, (FEMALE)	1	EA



B20HPC-PLC-ELECTRIC PARTS

13822 Oaks Avenue
Chino, CA 91710
reedpumps.com
909-287-2100

WIRE HARNESS MAIN LAYOUT



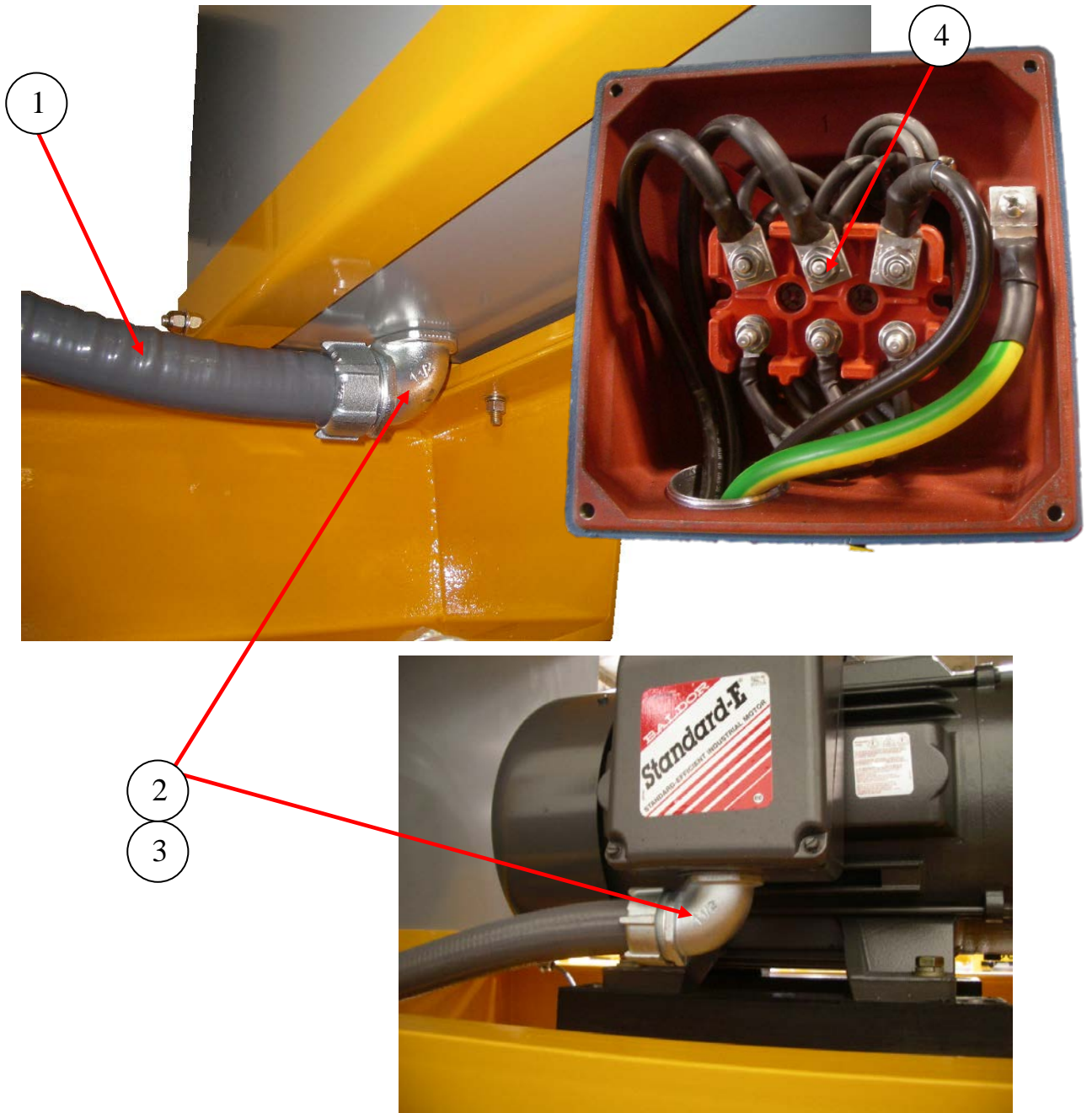


B20HPC-PLC-ELECTRIC PARTS

13822 Oaks Avenue
Chino, CA 91710
reedpumps.com
909-287-2100



CONDUIT, FITTING



ID #	PART #	PART DESCRIPTION	QUANTITY	
1	86518	CONDUIT - 1 1/2 IN LIQUID TITE	3	FT
2	86519	CONNECTOR 1 1/2" ELBOW 90°	2	EA
3	86520	INSULATED BUSHING 1 1/2"	4	EA
4	86522	WIRE LUG - 2 AWG	6	EA

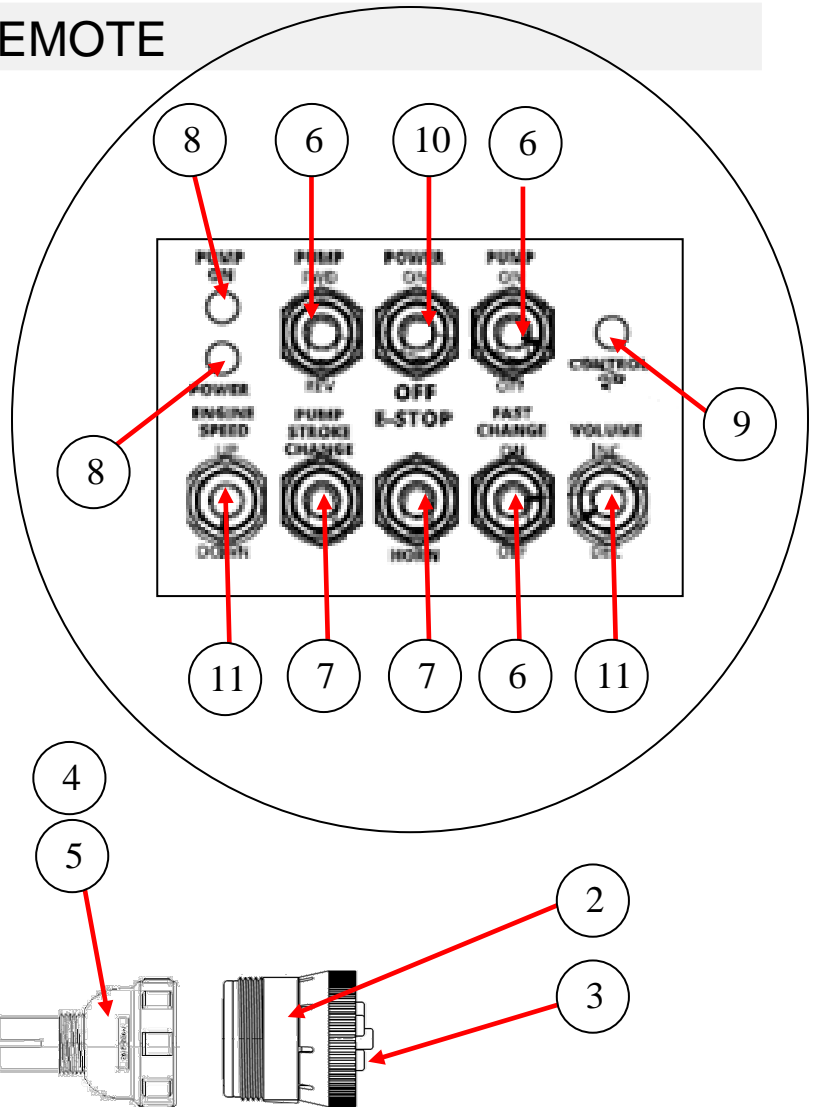
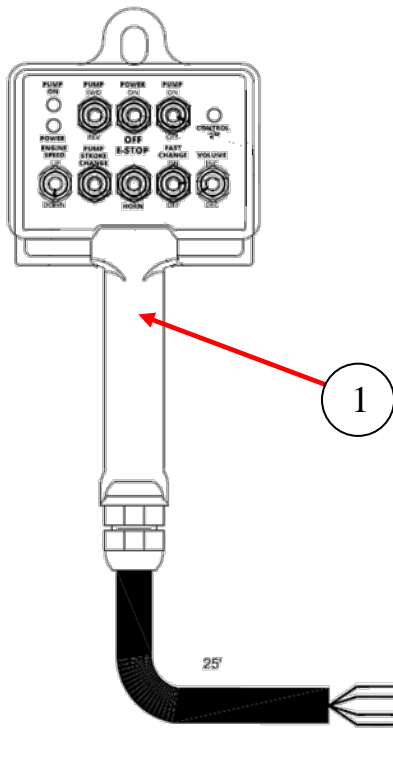


B20HPC-PLC-ELECTRIC PARTS

13822 Oaks Avenue
Chino, CA 91710
reedpumps.com
909-287-2100

OPTION 50FT CABLE REMOTE

COLOR	DESCRIPTION
RED	POWER (9-30VDC)
BLACK	GROUND
WHITE	CAN-H
GREEN	CAN-L



ID #	PART #	PART DESCRIPTION	QUANTITY	
1	89273	KAR TECH PLC REMOTE CONTROL, 25 FT	1	EA
2	89922	DEUTSCH CONNECTOR, 6 PIN	1	EA
3	BW10147	PINS (FEMALE)	6	EA
4	89222-CG	DEUTSCH BACK SHELL FOR 89922	1	EA
5	89223-CG	DEUTSCH COMPRESSION NUT FOR 89922	1	EA
6	BW10207	SW, TOGGLE, (ON-OFF) PUMP ON/OFF & FWD/REV FAST CHANGE	3	EA
7	BW10206	SW, TOGGLE, (ON-OFF) HORN & STROKE CHANGE	2	
8	88170	LED, CONTROL ON (GREEN)	2	EA
9	88171	LED, CONTROL ON (RED)	1	EA
10	BW10223	SW, POWER ON/ OFF	1	EA
11	BW10205	SW, TOGGLE, (ON-OFF-ON) RPM+/- & VOLUME+/-	2	EA
12	87875	SPRING SNAP	1	EA
REF	BW10361	SW, SEALING BOOT	8	EA

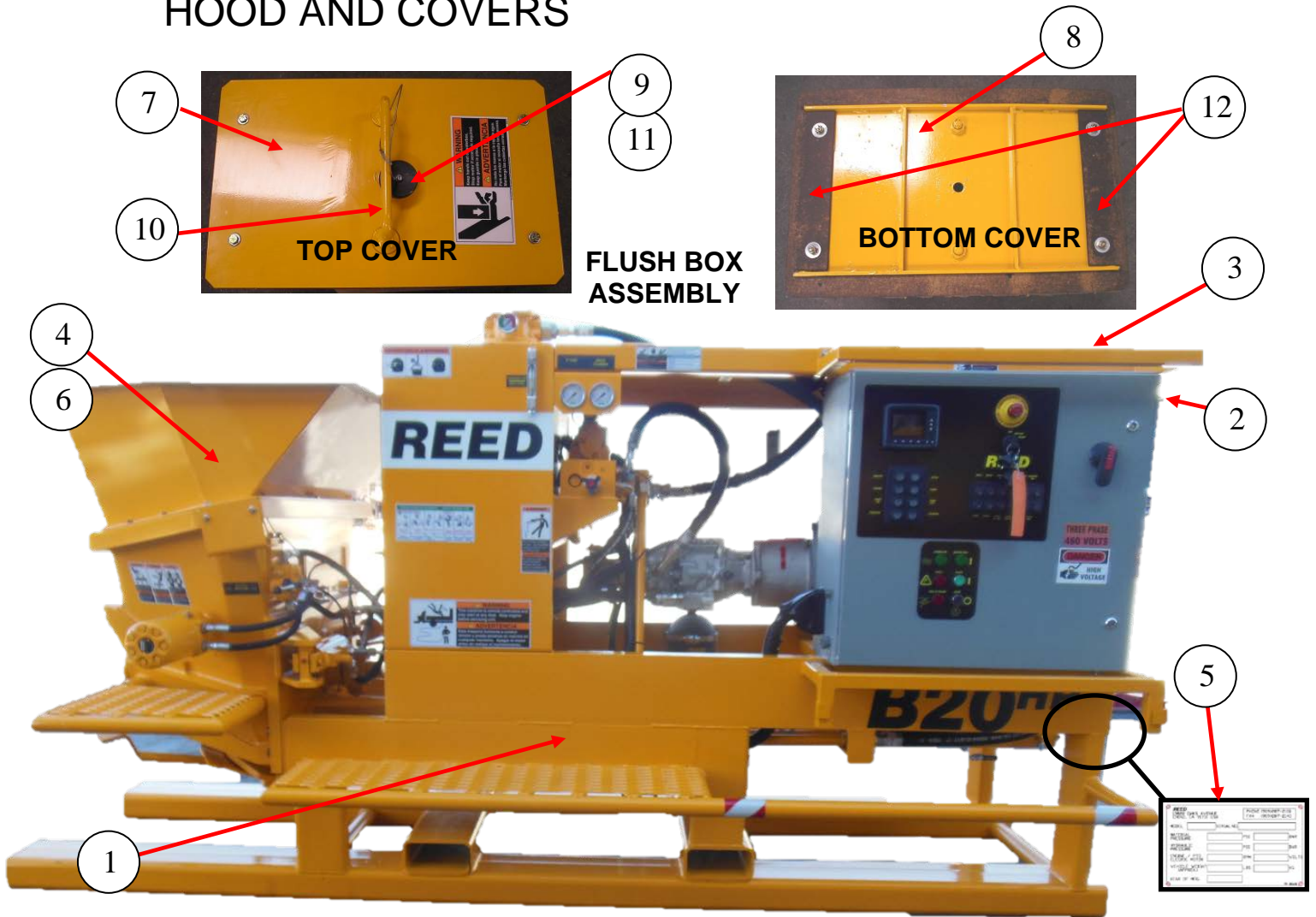


B20HPC-PLC-ELECTRIC PARTS

13822 Oaks Avenue
Chino, CA 91710
reedpumps.com
909-287-2100

FRAME

HOOD AND COVERS



ID #	PART #	PART DESCRIPTION	QUANTITY	
1	88645	SKID FRAME WELDMNT, B20 SER ELECTRIC	REF	
2	87060	FRONT SKID MESH SCREEN	1	EA
3	89539	TOP, B20 SER ELECTRIC	1	EA
4	85714-1	SPLASH GUARD, WITH HOPPER SAFTY GRATE	1	EA
5	86636	SERIAL NUMBER PLATE (BLANK)	1	EA
6	87126	HOPPER EXTENTION (OPTION)	REF	
7	86106	COVER ASSY, FLUSH BOX	1	EA
8	86010	COVER WELDMNT, FLUSH BOX	1	EA
9	86105	KNOB	1	EA
10	79056	HANDLE	1	EA
11	800418	LANYARD, Q/R PIN	1	EA
12	87755	GASKET, FOR FLUSH BOX LID	1	EA



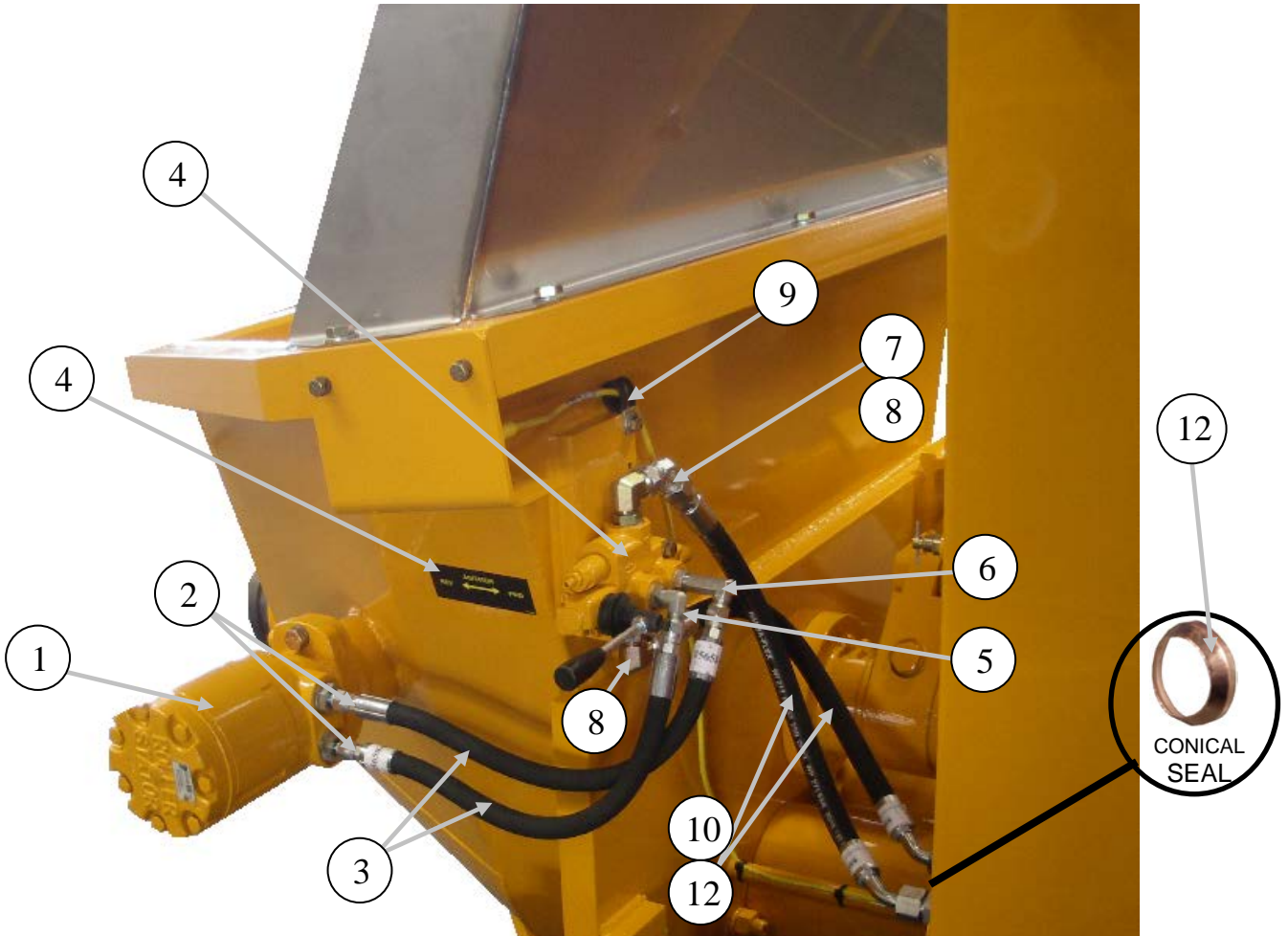
B20HPC-PLC-ELECTRIC

PARTS

13822 Oaks Avenue
Chino, CA 91710
reedpumps.com
909-287-2100

OPTIONS

HYDRAULIC AGITATOR



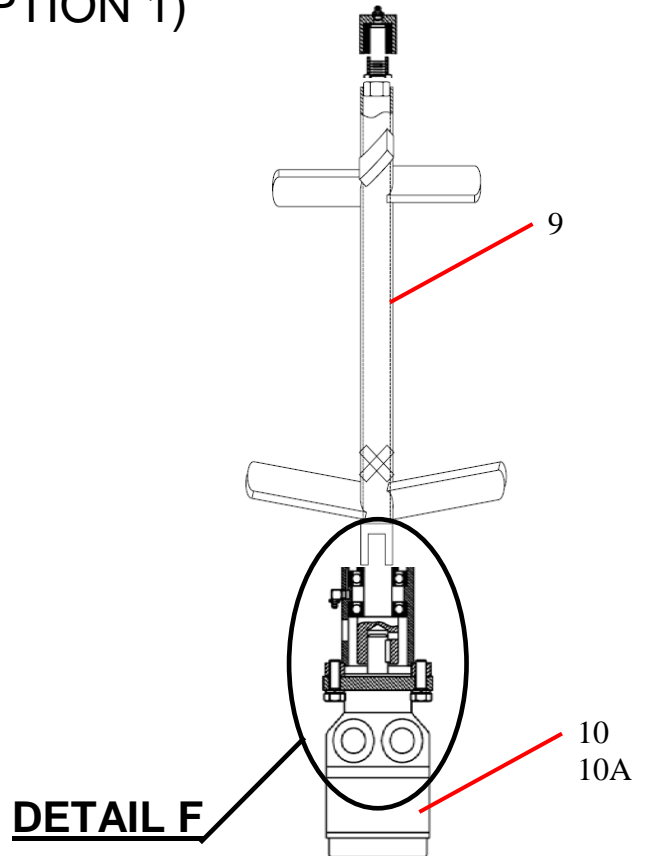
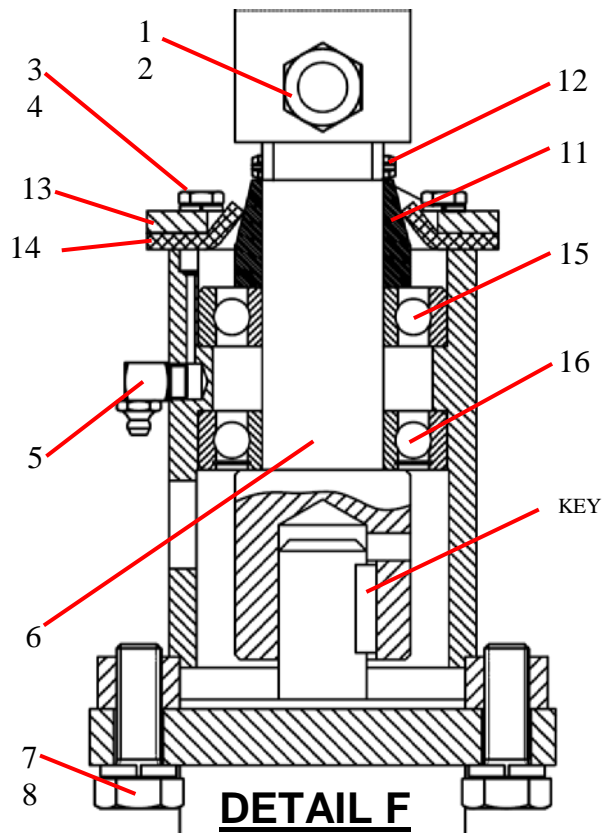
ID #	PART #	PART DESCRIPTION	QUANTITY	
	89504-AO2	AGITATOR ASSEMBLY	REF	
1	89455	HYD MOTOR, 45.6 CID, 1" SHAFT-PARKER	1	EA
2	86866	FITTING-MB-MJ-10-6	2	EA
3	85658-002	HOSE, 6M2T-6FJX-6FJX-17.00	2	EA
4	74584	VALVE 1 SPOOL, MANUAL PAINTED	1	EA
5	86748	FITTING-MB-MJ90-6-6	1	EA
6	86747	FITTING-MB-MJ90LL-6-6	1	EA
7	86749	FITTING-MJ-FJX45-10-10	1	EA
8	86746	FITTING-MB-MJ90-8-10	2	EA
9	800897	CLAMP, 3/4" TUBE, SINGLE	1	EA
10	85657-016	HOSE, 8M2T-10FJX-10FJX45-20.00	2	EA
11	85846	DECAL, ADGITATOR	1	EA
12	BW10229	CONICAL SEAL, SIZE 12	4	EA
13	85657-024	HOSE, 8M2T-10FJX-10FJX90S-24.50 (UNDER TANK)	1	EA
14	BW10407	TUBE HYD. AGITATOR PRESSURE (UNDER TANK)	1	EA



B20HPC-PLC-ELECTRIC PARTS

13822 Oaks Avenue
Chino, CA 91710
reedpumps.com
909-287-2100

OPTION HYDRAULIC AGITATOR (OPTION 1)



ID#	PART #	PART DESCRIPTION	QUANTITY	
	88041-A1	AGITATOR ASSEMBLY		
1		HHCS, 1/2 -13X2 1/4" GR 8	1	EA
2		LOCK NUT, 1/2" -13	1	EA
3		1/4-28X3/4"	6	EA
4		LOCK WASHER, 1/4"	6	EA
5		GREASE FITTING, 1/8" NPT 90°	1	EA
6	85923	SHAFT,AGITATOR	1	EA
7		HHCS, 1/2 -20X1 1/2" GR 8	2	EA
8		LOCK WASHER, 1/2"	2	EA
9	85717	AGITATOR, PADDLE-B20	1	EA
10	89455	HYD MOTOR, 45.6 CID, 1" SHAF, PARKER	1	EA
10A	85809SK	SEAL KIT	1	EA
11	85976	WEAR RING, AGITATION	1	EA
12		SPRING PIN, 1/4" DIA X 1 3/4"	1	EA
13	70211	FLANGE SEAL S/W	1	EA
14	70212	SEAL REMIXER	1	EA
15	85978	BEARING, BALL, PLAIN	1	EA
16	85979	BEARING, BALL 1 SEAL	1	EA



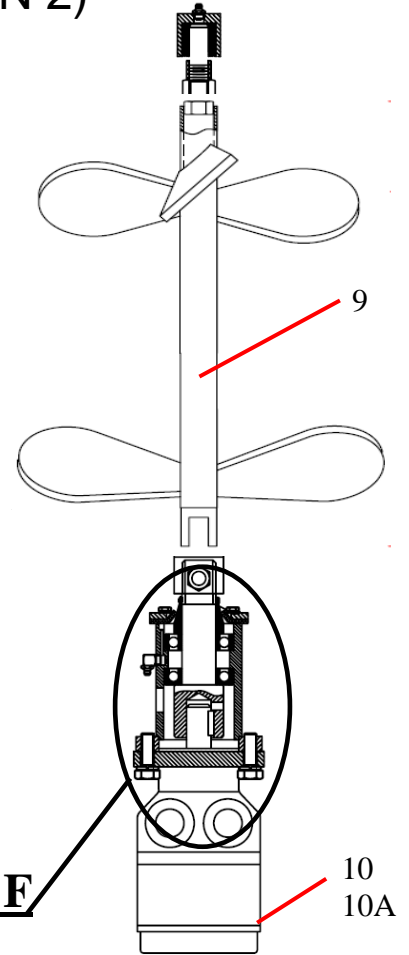
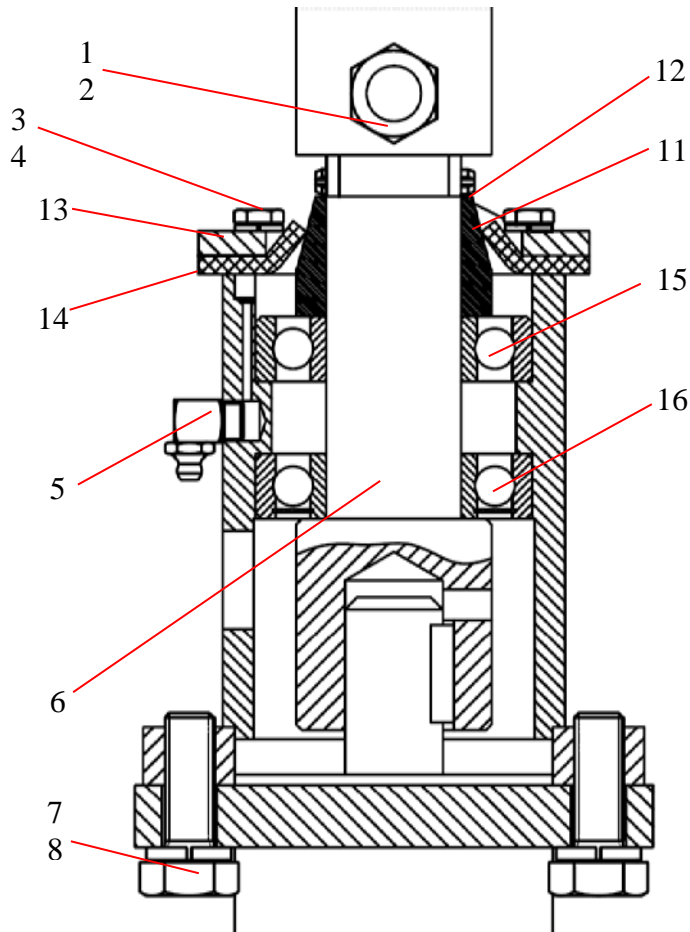
B20HPC-PLC-ELECTRIC

PARTS

13822 Oaks Avenue
Chino, CA 91710
reedpumps.com
909-287-2100

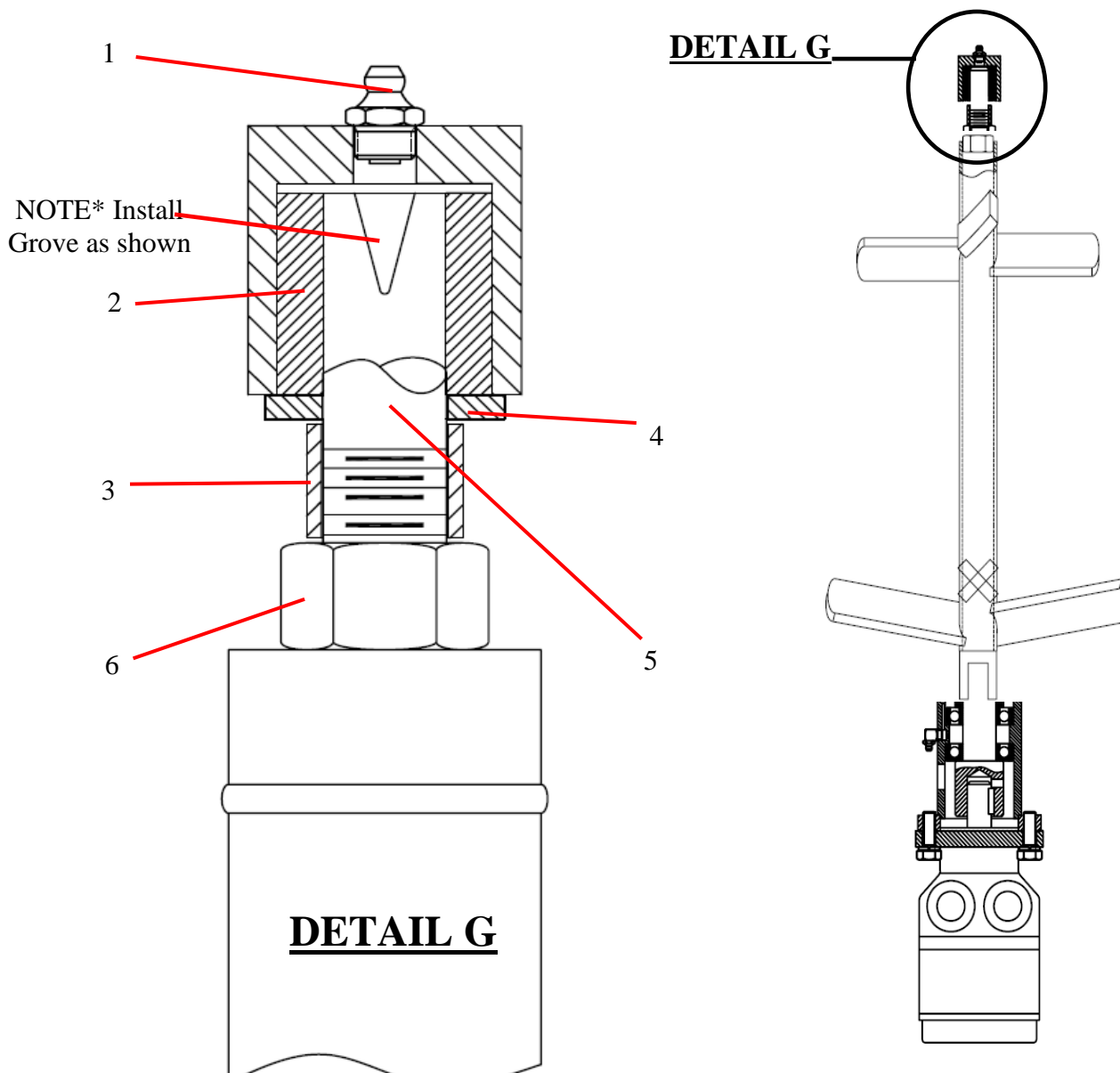
OPTION

HYDRAULIC AGITATOR (OPTION 2)



	85761	AGITATOR ASSEMBLY		
1		HHCS, 1/2" -13X2 1/4" GR 8	1	EA
2		LOCK NUT, 1/2" -13	1	EA
3		1/4"-28X3/4"	6	EA
4		LOCK WASHER, 1/4"	6	EA
5		GREASE FITTING, 1/8" NPT 90°	1	EA
6	85923	SHAFT, AGITATOR	1	EA
7		HHCS, 1/2" -20X1 1/2" GR 8	2	EA
8		LOCK WASHER, 1/2"	2	EA
9	87356	AGITATOR, PADDLE-B20	1	EA
10	89455	HYD MOTOR, 45.6 CID, 1" SHAFT, PARKER	1	EA
10A	85809SK	SEAL KIT	1	EA
11	85976	WEAR RING, AGITATOR	1	EA
12		SPRING PIN, 1/4" DIA X 1 3/4"	1	EA
13	70211	FLANGE SEAL SW	1	EA
14	70212	SEAL REMIXER	1	EA
15	85978	BEARING, BALL, PLAIN	1	EA
16	85979	BEARING, BALL 1 SEAL	1	EA

HYDRAULIC AGITATOR CONT.



ID #	PART #	PART DESCRIPTION	QUANTITY	
1		GREASE FITTING, 1/8" NPT STRAIT	1	EA
2	70219	REMIX SHAFT BUSHING	1	EA
3	77877	SPACER, REMIX	1	EA
4	86824	FLAT WASHER, 3/4" SAE	1	EA
5	70214	IDLER SHAFT, AGITATOR	1	EA
6	70210	IDLER BREARING HOUSING	1	EA
7	80030	HEX NUT-M20X2.5 PLATED	1	EA



OPTION
PERIFLO CHEMICAL PUMP



ID #	PART #	PART DESCRIPTION	QUANTITY	
	88421	PERISTALTIC PUMP 4380V, WITH VARIABLE FREQUENCY DRIVE	REF	EA
	88421-1	PERISTALTIC PUMP 460V, 115V INPUT TO X4, WITH VFD	REF	EA
	88421-1H	HOSE RUBBER	REF	EA
	88421-1-H-EPDM	HOSE, EPDM	REF	EA
	88421-1L	LUBRICATION GREASE FOR 88421/1 PUMPS		EA
				EA



B20HPC-PLC-ELECTRIC PARTS

13822 Oaks Avenue
Chino, CA 91710
reedpumps.com
909-287-2100

AVAILABLE OPTIONS

RADIO REMOTE



50' CABLE REMOTE
W/STROKE
COUNTER



WIRELESS
REMOTE 900 MHZ
PNUT SYSTEM



LIFTING KIT



VIBRATOR KITS COUGAR VIBCO

